



[www.stiga.com](http://www.stiga.com)

# Illustrated Parts List

for model:

**ESTATE PRO 9102 XWS**

- Use GLOBAL GARDEN PRODUCT genuine spare parts specified in the parts list for repair and/or replacement.
- Then contents described in the parts list may change due to improvement.
- The drawings of the spare part are only indicative and might not represent the part in question exactly.
- The indications "right" - "left" - "front" - "rear" refer to the position of the operator when using the machine.
- When placing orders of parts for repair and/or replacement, make sure that the illustrated parts list is the one applying to the machine's year of manufacture, as shown on the identification plate attached to the machine.

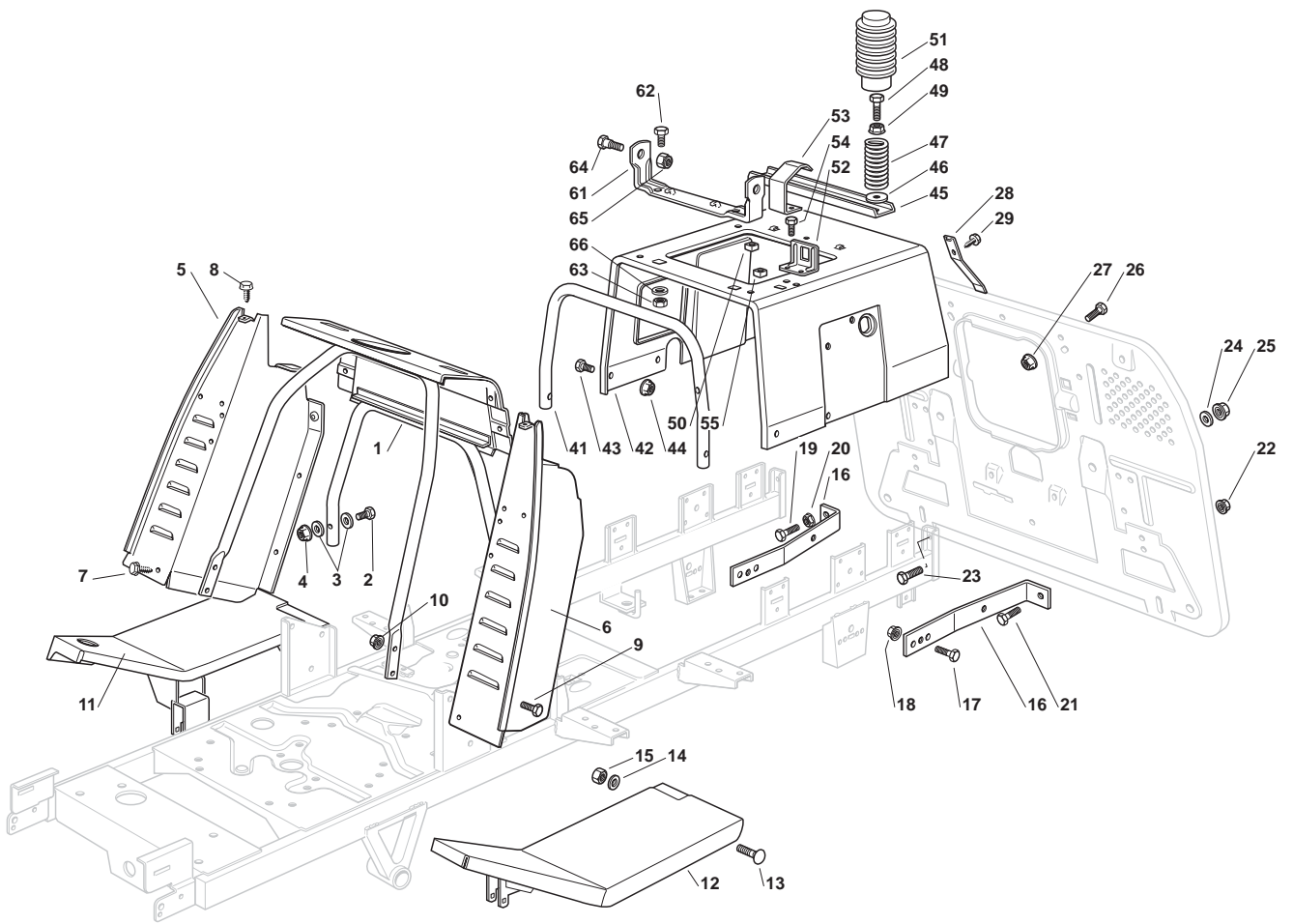
© Copyright 2014 Global Garden Products

All content is subject to copyright by Global Garden Products and may not be reproduced in whole or in part by any means, electronic or otherwise, without prior written approval.

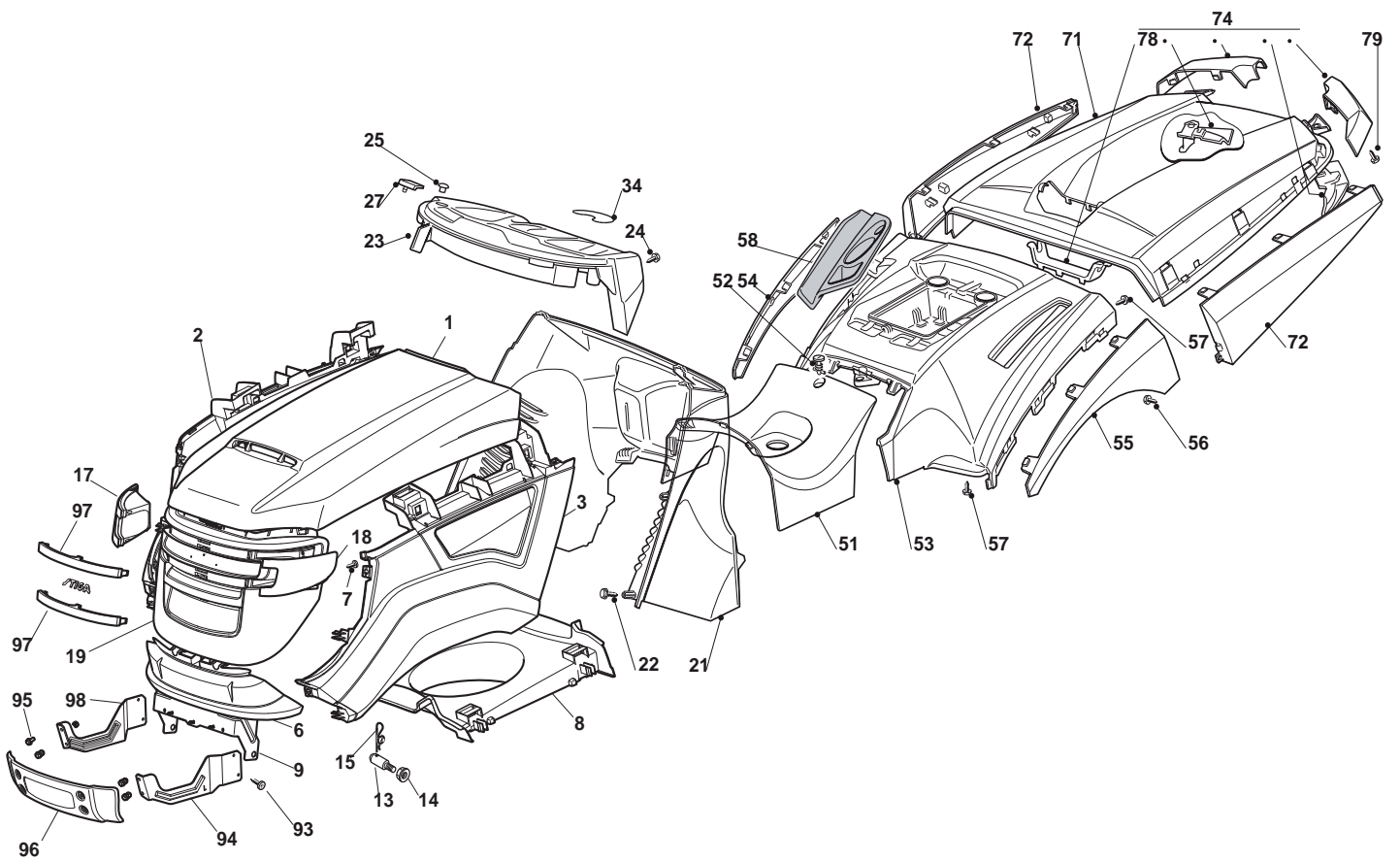
THIS INFORMATION IS NOT INTENDED FOR SALE OR RESALE, AND THIS NOTICE MUST REMAIN ON ALL COPIES.

[www.ggp-group.com](http://www.ggp-group.com)

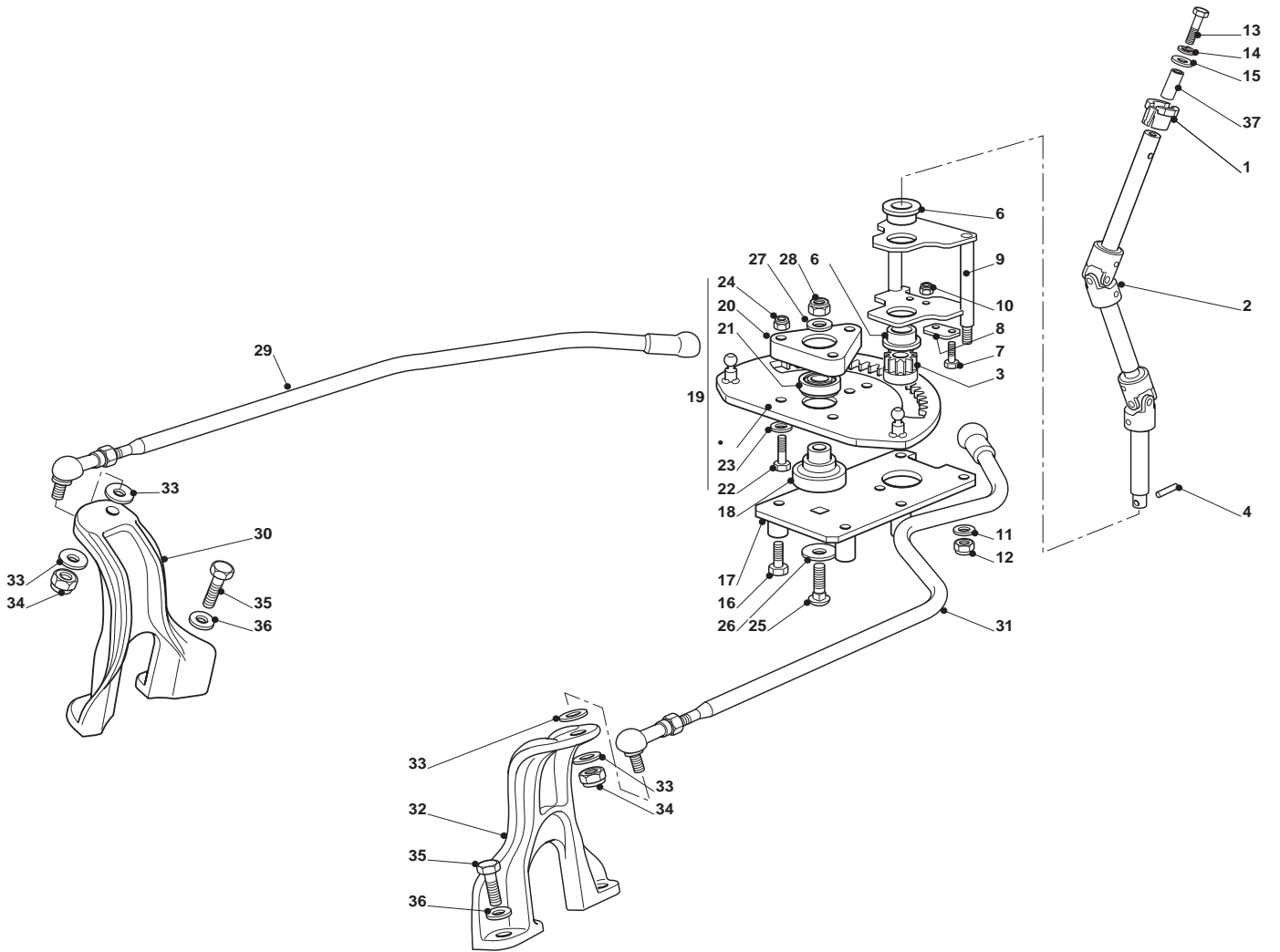




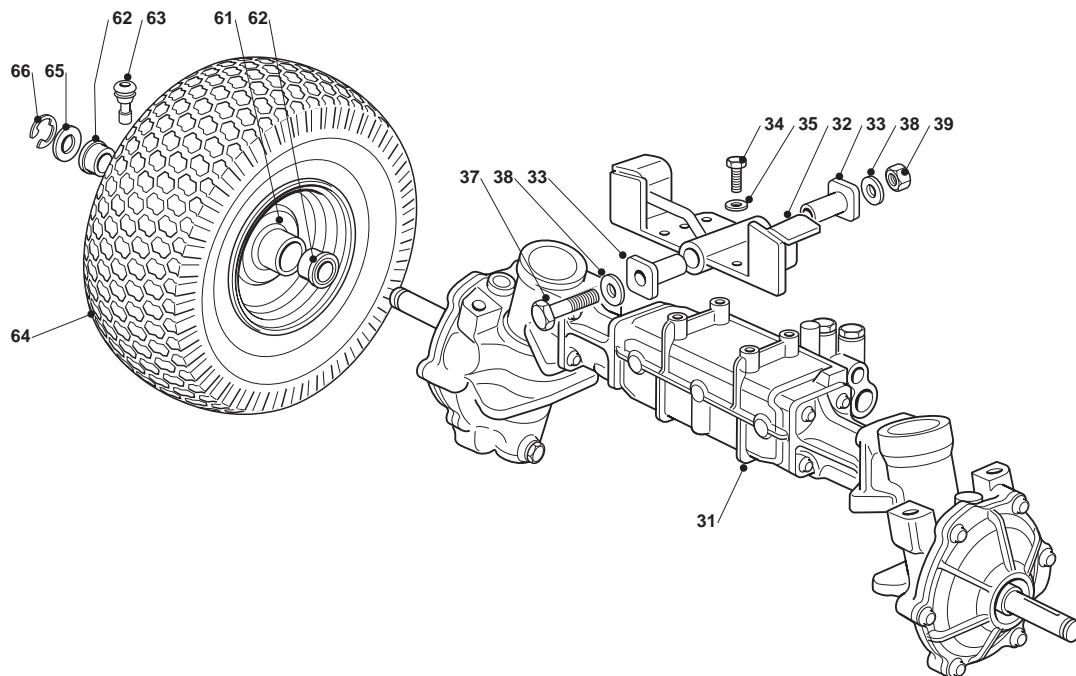
<b>Chassis</b>				
<b>POS</b>	<b>CODE</b>	<b>Q.TY</b>	<b>DESCRIPTION</b>	<b>NOTES</b>
1	382785247/1	1	Stiffening	
2	112674550/0	2	Screw	
3	112523040/0	4	Washer	
4	112292102/0	2	Nut	
5	382785022/9	1	Right Dashboard Support	
6	382785021/8	1	Left Dashboard Support	
7	112735110/0	2	Screw	
8	112735110/0	2	Screw	
9	112791400/0	6	Screw	
10	112292102/0	6	Nut	
11	325500046/0	1	Right Footboard	
12	325500047/0	1	Left Footboard	
13	112728689/0	4	Screw	
14	112523040/0	4	Washer	
15	112523030/0	4	Washer	
16	325774273/1	2	Stiffening	
17	112793102/0	2	Screw	
18	112293201/0	2	Nut	
19	112691100/0	1	Screw	
20	112293200/0	1	Hexagonal Nut	
21	112792611/0	1	Screw	
22	112293201/0	2	Nut	
23	112794300/0	2	Screw	
24	112521360/0	2	Washer	
25	112156602/0	2	Nut	
26	112791011/0	5	Screw	
27	112292102/0	5	Nut	
28	125430238/1	1	Spring	
29	112731580/0	1	Screw	
41	325869085/0	1	Stiffening	
42	325785133/5	1	Seat Support	
43	112791011/0	8	Screw	
44	112292102/0	8	Nut	
45	325650067/0	1	Stiffening	
46	112523070/0	2	Washer	
47	125430205/1	2	Spring	
48	125943001/1	2	Screw	
49	112293201/0	2	Nut	
50	112360420/0	2	Nut	
51	325737002/0	2	Hood	
52	325755025/2	1	Bracket	
53	325430255/0	1	Spring	
54	112735110/0	2	Screw	
55	112437502/0	2	Plate	
61	382774207/0	1	Seat Clamp Support	
62	112691115/0	2	Screw	
63	112155000/0	2	Nut	
64	122524970/2	2	Fulcrum Pin	
65	112155010/0	2	Self-Locking Nut	
66	112523070/0	2	Washer	



Body				
POS	CODE	Q.TY	DESCRIPTION	NOTES
1	325076866/0	1	Upper Engine Hood, Yellow	
2	382394646/0	1	Hood, Right	
3	382394645/0	1	Hood, Left	
6	325076959/0	1	Lower Grey Hood, Front	
7	112735403/0	6	Screw	
8	325108031/0	1	Conveyor	
9	325774301/2	1	Engine Hood Support	
10	112735403/0	5	Screw	
11	325547159/1	2	Plate	
12	112731580/0	4	Screw	
13	125510079/1	2	Pin	
14	112293201/0	2	Nut	
15	124487998/0	1	Cotter Pin	
17	382185500/0	1	Right Lamp Light	
18	382185501/0	1	Left Lamp Light	
19	325076953/0	1	Grey Hood, Front	
21	325785449/0	1	Black Dashboard Support	
22	112735403/0	7	Screw	
23	325120213/0	1	Dashboard, Black	
24	112728440/0	4	Screw	
25	125120200/0	2	Cap	
27	125260000/0	2	Grommet	
34	325207185/0	1	Cover	
51	325110467/0	1	Grey Central Cover	
52	125580020/2	1	Pin	
53	325109754/0	1	Grey Wheels Cover	
54	325109793/0	1	Right Wheel Cover	
55	325109794/0	1	Left Wheel Cover	
56	112728686/0	2	Screw	
57	112735402/0	4	Screw	
58	325207184/0	1	Cover	
71	325110308/0	1	Grass-Catcher Cover	
72	382110299/0	2	Side Profil Assy	
74	382110300/0	1	Angles Assy	
78	325394009/0	1	Handle Cover	
79	112735403/0	4	Screw	
91	382869039/0	1	Muffler Protection	
92	118737860/0	2	Cap	
93	112734995/0	4	Screw	
94	382785265/0	1	Bracket, Right	
95	112800815/0	4	Screw	
96	382263503/0	1	Bumper	
97	325076956/0	1	Frontal Moulding	
98	382785263/0	1	Bracket, Left	

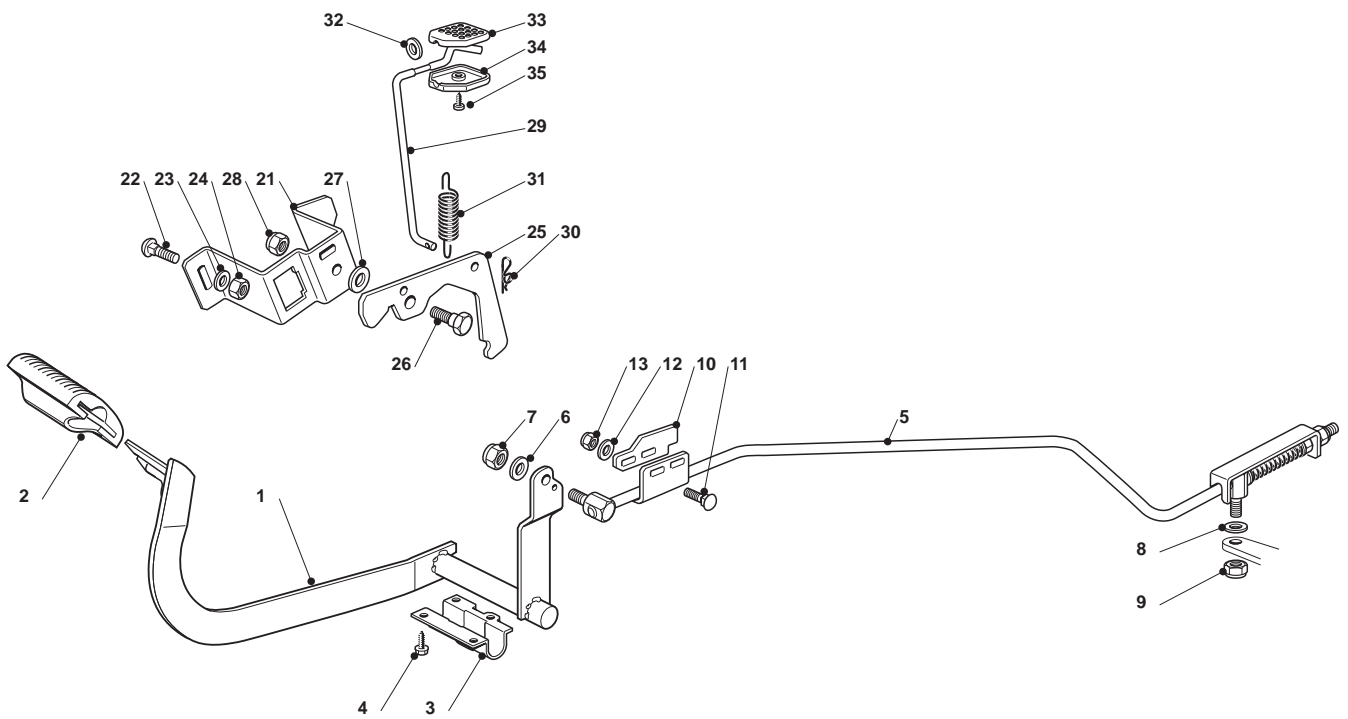


Steering				
POS	CODE	Q.TY	DESCRIPTION	NOTES
1	125034004/0	2	Brass	
2	382543053/0	1	Steering Column	
3	125570006/1	1	Pinion	
4	112645710/0	1	Elastic Pin	
6	125034004/0	2	Brass	
7	112788910/0	2	Screw	
8	325487000/0	1	Plate	
9	382785209/0	1	Support	
10	112154330/0	2	Low Self-Locking Nut	
11	112521360/0	2	Washer	
12	112156602/0	2	Nut	
13	112691800/0	1	Screw	
14	112583500/0	1	Grower	
15	112523060/0	1	Washer	
16	112735108/1	4	Screw	
17	382785207/0	1	Support	
18	125040641/0	1	Support	
19	382735523/0	1	Steering Shaft	
20	325774453/0	1	Clamp	
21	119216047/0	1	Bearing	
22	112691100/0	3	Screw	
23	112523060/0	3	Washer	
24	112155000/0	3	Nut	
25	112819600/0	1	Screw	
26	112521395/0	1	Washer	
27	112521370/0	1	Washer	
28	112156603/0	1	Nut	
29	382000622/0	1	Steering Rod	
30	325774491/1	1	Clamp	
31	382000624/0	1	Steering Rod	
32	325774393/0	1	Clamp	
33	112522050/0	4	Washer	
34	112155700/0	2	Nut	
35	112760585/0	4	Screw	
36	112521370/0	4	Washer	
37	125160063/0	1	Spacer	

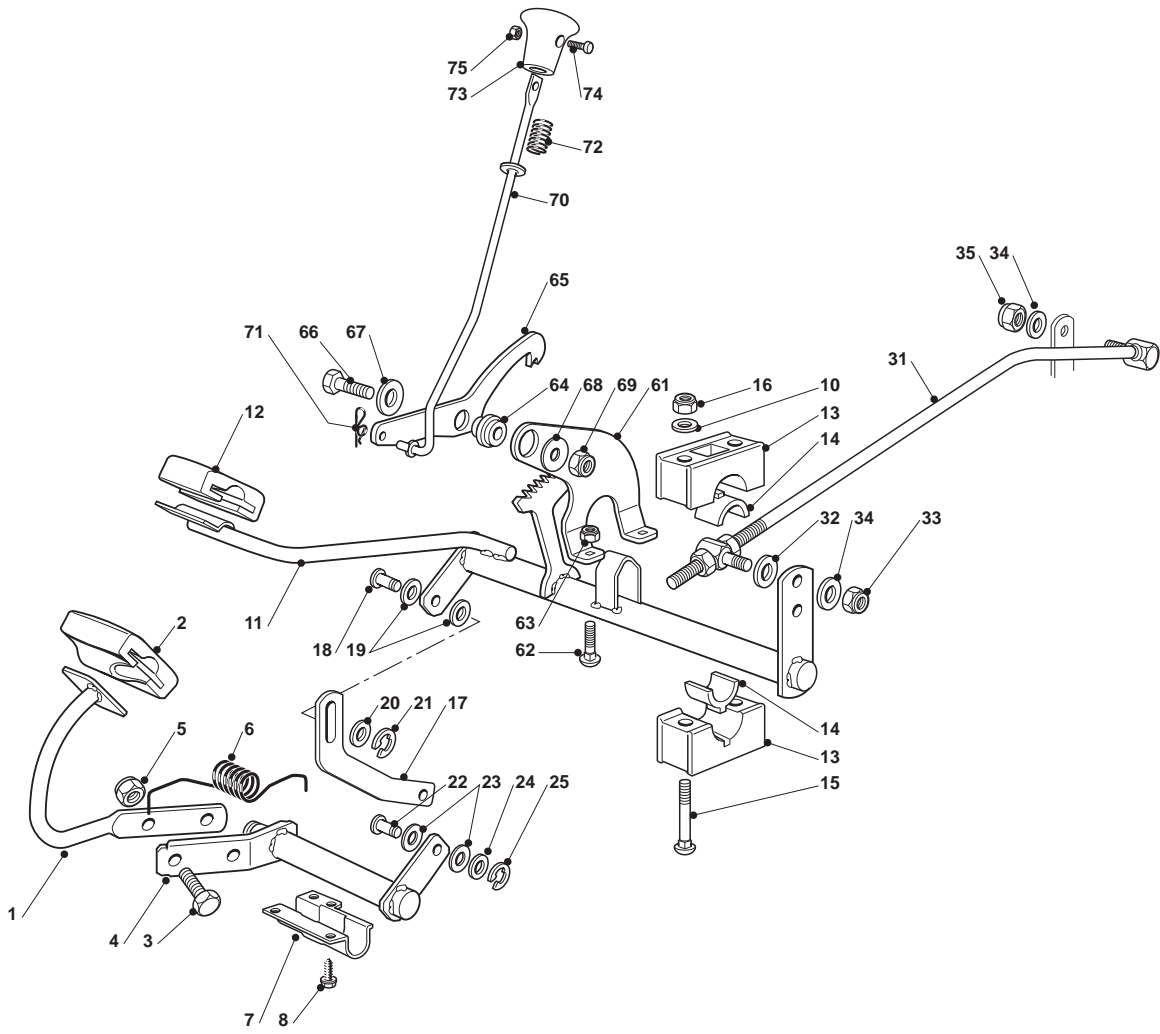




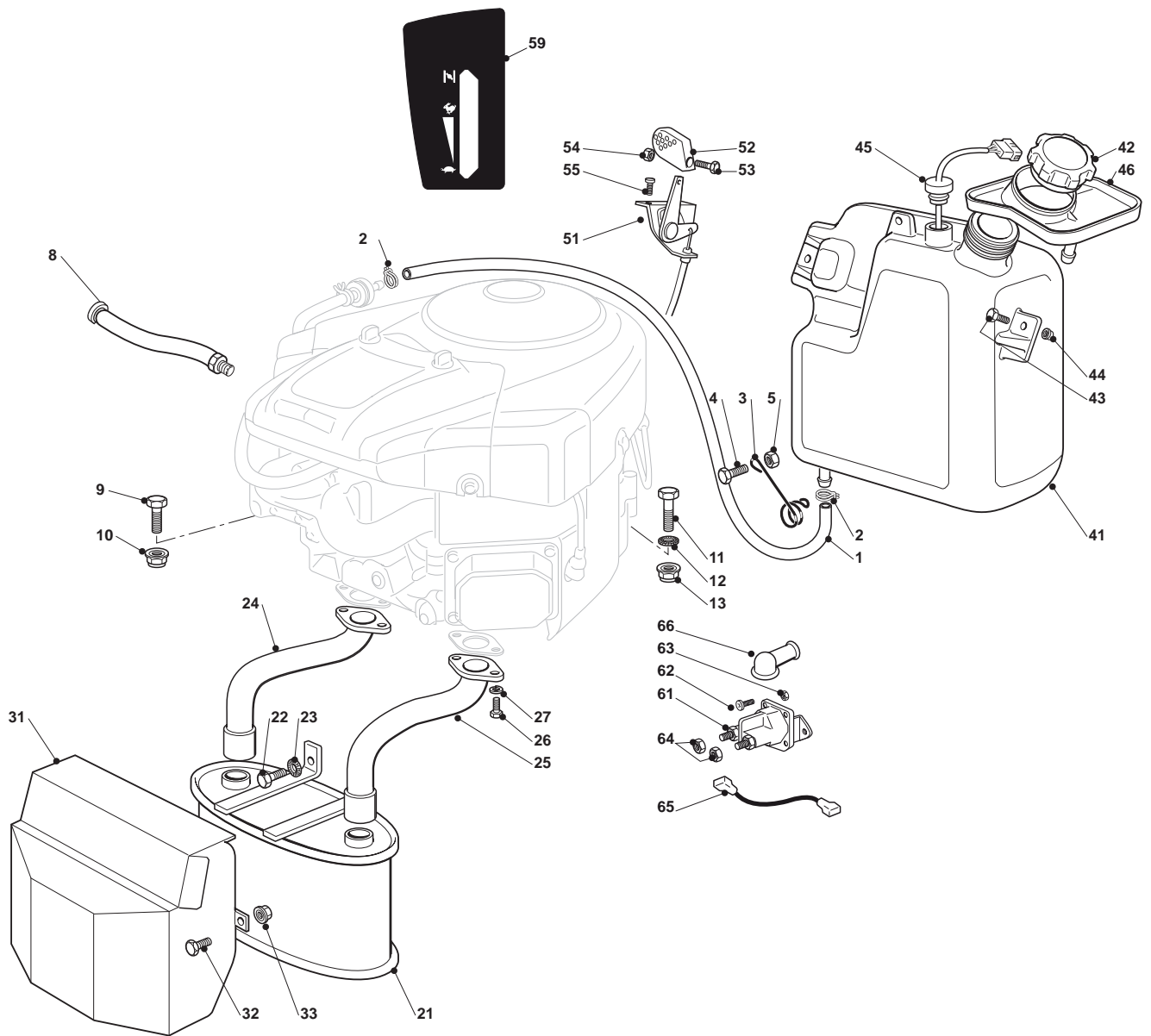
4 WD Transmission				
POS	CODE	Q.TY	DESCRIPTION	NOTES
31	118400974/0	1	Transmission Unit	
32	382547057/1	1	Support	
33	125040633/0	2	Bushing	
34	112760560/0	6	Screw	
35	112585100/0	6	Washer	
37	112695900/0	1	Screw	
38	112521395/0	2	Washer	
39	112295801/0	1	Nut	
61	182000601/1	2	Rimm	
62	125122200/2	4	Bearing	
63	125950000/0	2	Valve	
64	125590012/0	2	Tyre	
65	125670005/1	2	Washer	
66	112001010/0	2	Benzing Ring	



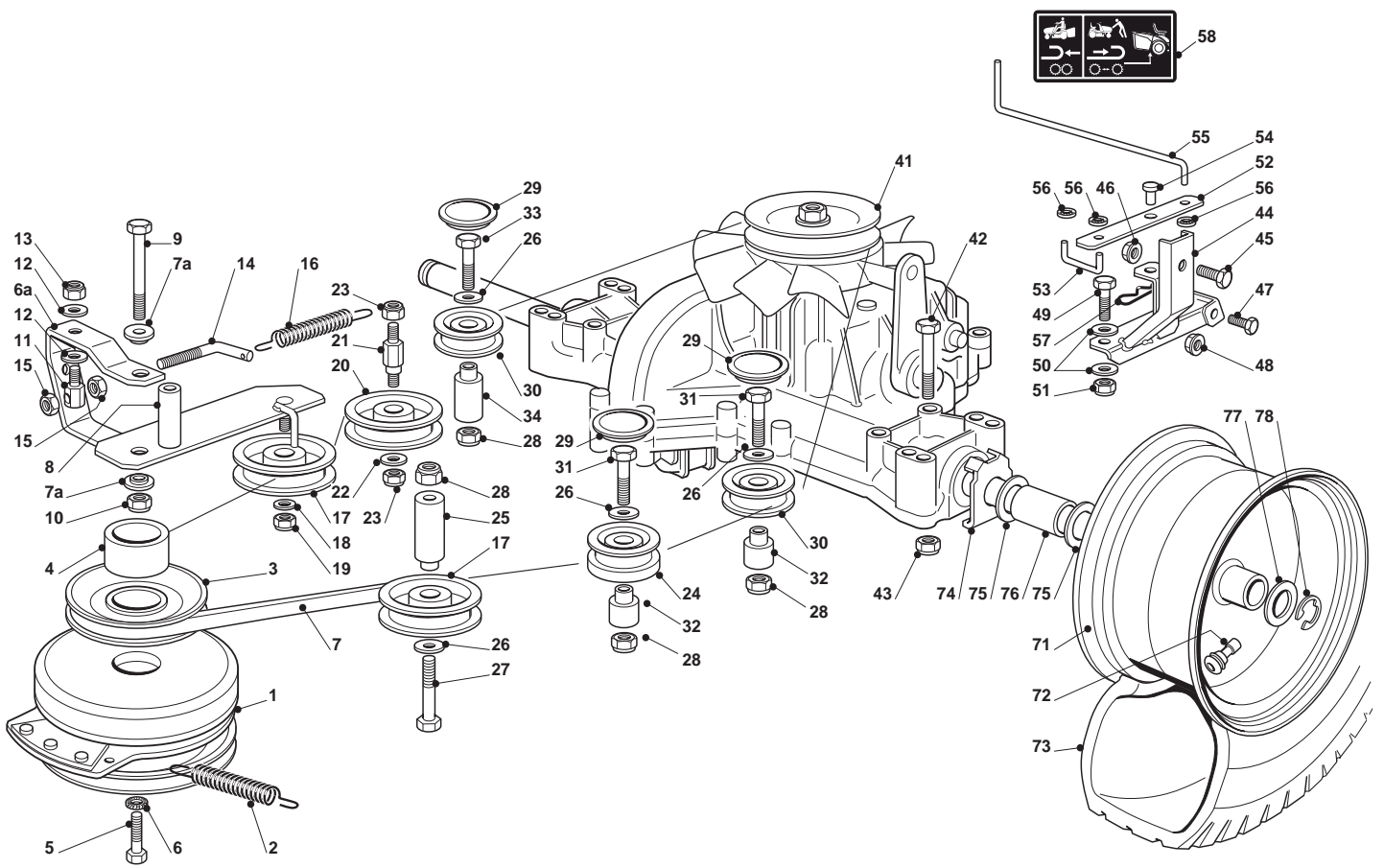
Steering				
POS	CODE	Q.TY	DESCRIPTION	NOTES
1	382500041/0	1	Pedal	
2	125110267/0	1	Clamp Cover	
3	325547081/2	1	Plate	
4	112731601/0	4	Screw	
5	382000554/2	1	Rod	
6	112521350/0	1	Washer	
7	112155000/0	1	Nut	
8	112521350/0	1	Washer	
9	112155000/0	1	Nut	
10	325547281/1	1	Plate	
11	112815210/0	2	Screw	
12	112523040/0	2	Washer	
13	112154510/0	2	Nut	
21	325785143/1	1	Support	
22	112815210/0	2	Screw	
23	112523040/0	1	Washer	
24	112154510/0	2	Nut	
25	325253009/0	1	Hook	
26	122524970/2	1	Fulcrum Pin	
27	325670011/0	1	Antifriction Washer	
28	112155000/0	1	Nut	
29	125033047/0	1	Rod	
30	124487997/0	1	Cotter Pin	
31	125430213/0	1	Spring	
32	112523040/0	1	Washer	
33	325592001/0	1	Knob	
34	325592002/0	1	Knob	
35	112727815/0	1	Screw	



Steering				
POS	CODE	Q.TY	DESCRIPTION	NOTES
1	382500045/0	1	Pedal	
2	325110275/0	1	Clamp Cover	
3	112793301/0	2	Screw	
4	382000559/1	1	Axle	
5	112155000/0	2	Nut	
6	125430246/1	1	Spring	
7	325547133/1	1	Plate	
8	112731601/0	4	Screw	
10	112523040/0	4	Washer	
11	382000617/1	1	Axle	
12	325110274/0	1	Clamp Cover Front	
13	325785354/0	4	Support	
14	325034003/0	4	Brass	
15	112815271/0	4	Screw	
16	112154510/0	4	Nut	
17	325547207/0	1	Plate	
18	125510085/1	1	Pin	
19	325670011/0	2	Antifriction Washer	
20	112521350/0	1	Washer	
21	112000930/0	1	Benzing Ring	
22	125510085/1	1	Pin	
23	325670011/0	2	Antifriction Washer	
24	112521350/0	1	Washer	
25	112000930/0	1	Benzing Ring	
31	382000612/0	1	Rod	
32	112523060/0	1	Washer	
33	112154510/0	1	Nut	
34	112523040/0	2	Washer	
35	112154510/0	1	Nut	
61	325774477/0	1	Clamp	
62	112815210/0	2	Screw	
63	112292102/0	2	Nut	
64	125040638/0	1	Bushing	
65	325022000/1	1	Hook	
66	112691100/0	1	Screw	
67	112523060/0	1	Washer	
68	322672152/0	1	Antifriction Washer	
69	112155000/0	1	Nut	
70	125033092/0	1	Feed Control Rod	
71	124487995/0	1	Cotter Pin	
72	125430232/0	1	Spring	
73	325605002/0	1	Button	
74	112726389/0	1	Screw	
75	112290800/0	1	Hexagonal Nut	

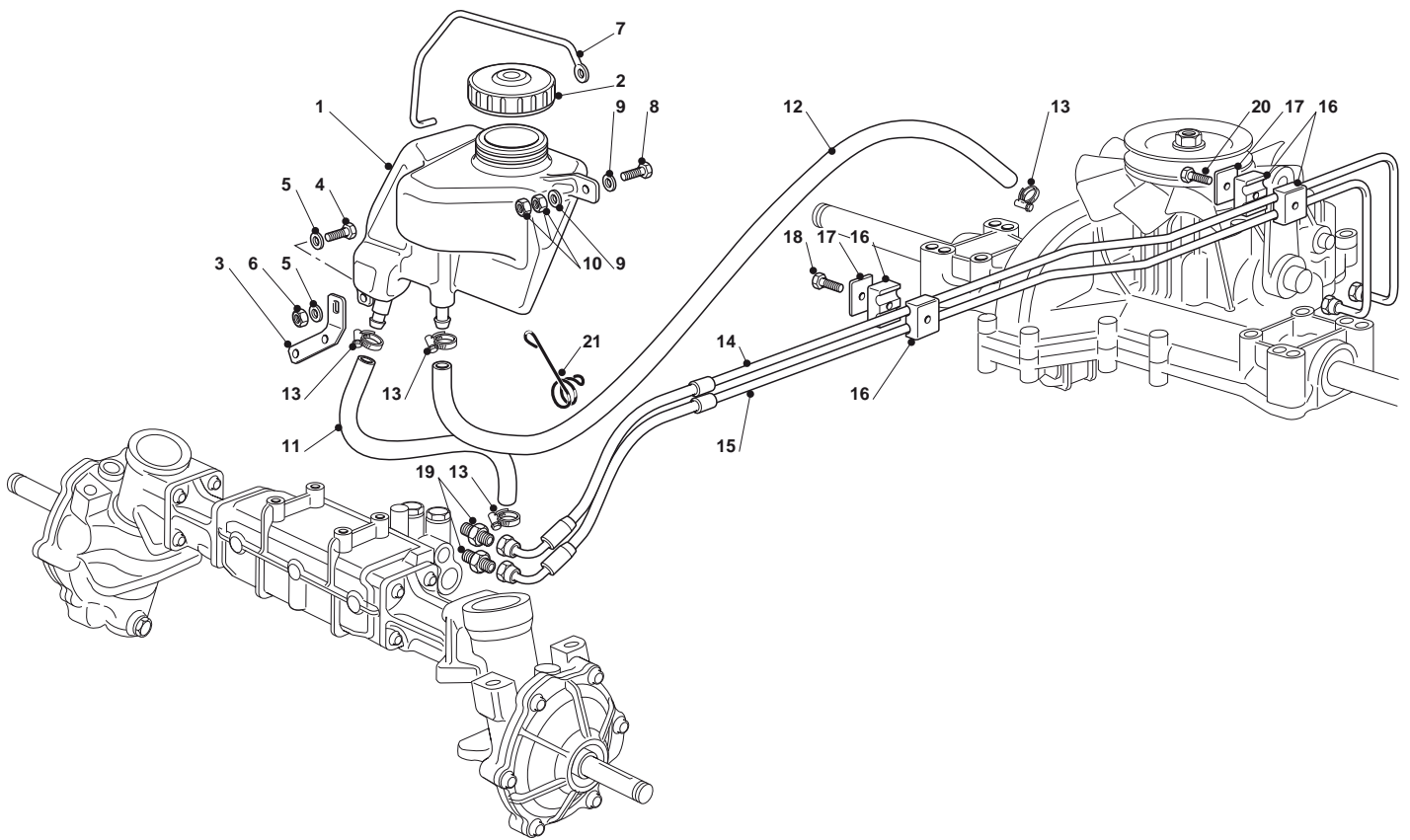


Engine - B&S 20-22-24 Hp				
POS	CODE	Q.TY	DESCRIPTION	NOTES
1	325869016/1	1	Connecting Tube	
2	118375051/1	2	Fair Led	
3	125430239/1	1	Spring	
4	112790781/0	1	Screw	
5	112292102/0	1	Nut	
8	1134-5827-01	1	Oil Drain Assy	
9	112691100/0	3	Screw	
10	112154210/0	3	Self-Locking Nut	
11	112691115/0	1	Screw	
12	112540260/0	1	Grower	
13	112154210/0	1	Self-Locking Nut	
21	182750009/0	1	Muffler	
22	112793301/0	2	Screw	
23	112540260/0	2	Grower	
24	118738236/0	1	Exhaust Right Tube	
25	118738237/0	1	Exhaust Left Tube	
26	112735530/0	4	Screw	
27	112583500/0	4	Grower	
31	382598043/2	1	Muffler Protection	
32	112791011/0	2	Screw	
33	112292102/0	2	Nut	
41	325735125/2	1	Tank	
42	325795003/0	1	Fuel Cap	
43	112788910/0	2	Screw	
44	112500092/0	2	Rivet	
45	125290002/0	1	Fuel Level Indicator	
46	325600086/0	1	Guard	
51	182000218/0	1	Accelerator	
52	325592000/0	1	Knob	
53	112726388/0	1	Screw	
54	112290800/0	1	Hexagonal Nut	
55	112788512/0	2	Screw	
59	114360717/0	1	Label	
61	118736111/0	1	Starter Relay	
62	112791011/0	2	Screw	
63	112292102/0	2	Nut	
64	112360352/0	2	Nut	
65	125065002/0	1	Cable	
66	118564861/1	1	Protection	

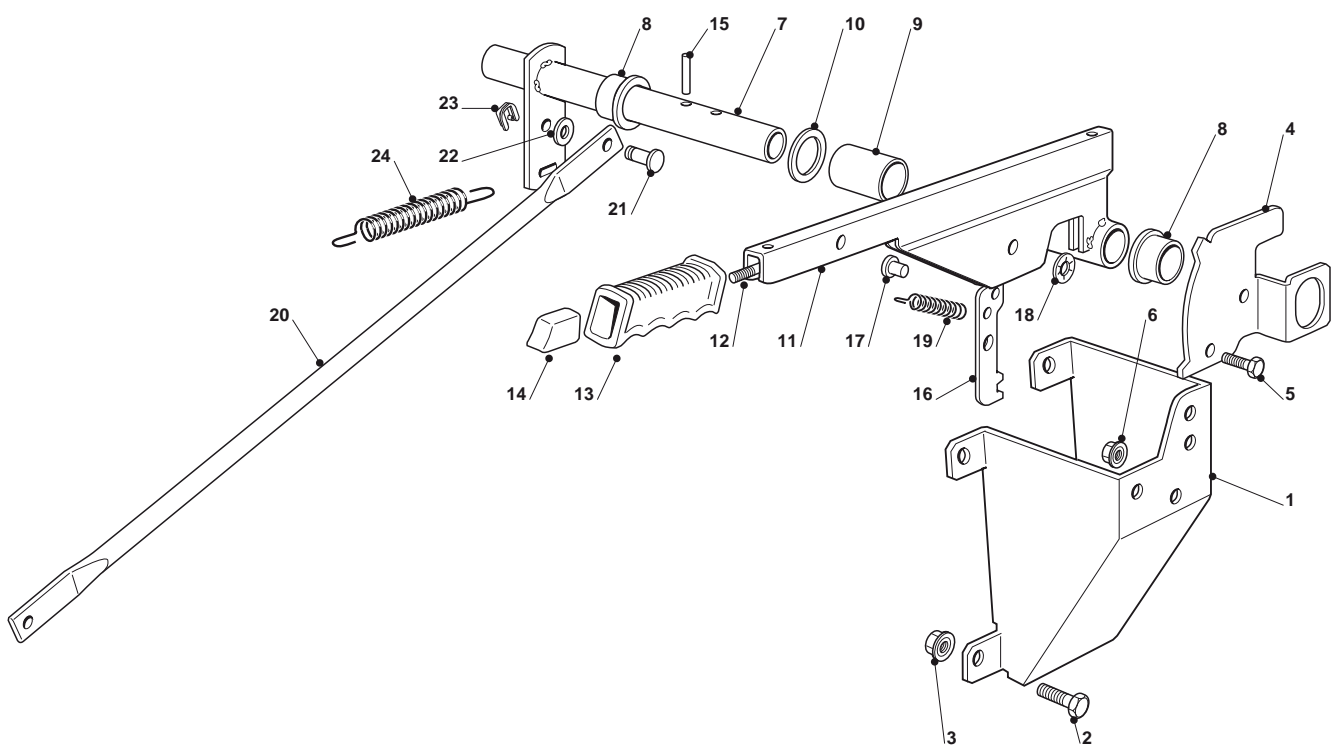




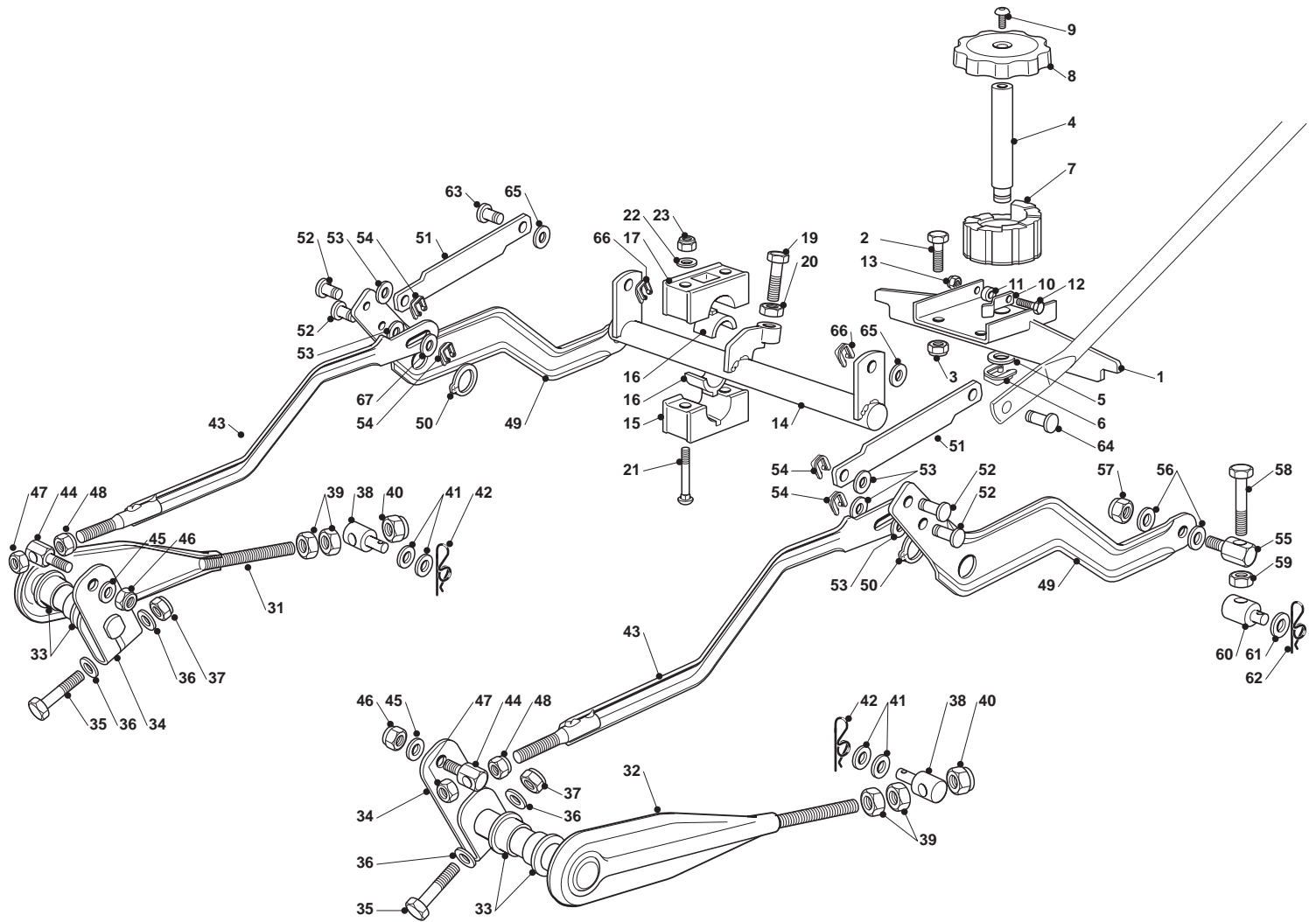
4 WD Transmission				
POS	CODE	Q.TY	DESCRIPTION	NOTES
1	118399062/0	1	Clutch Assy	
2	125430210/1	1	Spring	
3	125601580/0	1	Pulley	
4	125160021/0	1	Spacer	
5	112737320/0	1	Screw	
6	112543000/0	1	Washer	
6a	382318251/0	1	Lever	
7	135062002/1	1	Belt	
7a	125038002/1	2	Bush	
8	125160054/0	1	Spacer	
9	112793905/0	1	Screw	
10	112155000/0	1	Nut	
11	125510040/1	1	Pin	
12	325670011/0	2	Antifriction Washer	
13	112155000/0	1	Nut	
14	125840030/0	1	Tie Rod	
15	112293200/0	2	Hexagonal Nut	
16	125430219/0	1	Spring	
17	125601554/0	2	Pulley	
18	112523060/0	1	Washer	
19	112155000/0	1	Nut	
20	325601599/0	1	Pulley	
21	125510036/2	1	Pin	
22	112523060/0	1	Washer	
23	112155000/0	2	Nut	
24	325601584/1	1	Pulley	
25	125160060/0	1	Spacer	
26	112523060/0	4	Washer	
27	112691115/0	2	Screw	
28	112155000/0	4	Nut	
29	125109521/1	3	Cover	
30	325601570/1	2	Pulley	
31	112691115/0	2	Screw	
32	125160030/2	2	Left Spacer	
33	112691400/0	1	Screw	
34	125160024/2	1	Right Spacer	
41	118400975/0	1	Rear Axle	
42	112691800/0	4	Screw	
43	112154210/0	4	Self-Locking Nut	
44	382785175/0	1	Support	
45	112793102/0	1	Screw	
46	112293201/0	1	Nut	
47	112792611/0	1	Screw	
48	112293201/0	1	Nut	
49	112691115/0	1	Screw	
50	112521350/0	2	Washer	
51	112155000/0	1	Nut	
52	325547229/0	1	Lever	
53	125580031/0	1	Rod	
54	127510111/0	1	Pin	
55	125033079/0	1	Rod	
56	112604896/0	3	Crown Fastener	
57	124487997/0	1	Cotter Pin	
58	114363696/0	1	Label	
71	182000602/0	2	Rimm	
72	125950000/0	2	Valve	
73	125590013/0	2	Tyre	
74	325670025/0	2	Washer	
75	112521410/0	4	Washer	
76	125160023/0	2	Spacer	
77	125670005/1	2	Washer	
78	112001010/0	2	Benzing Ring	



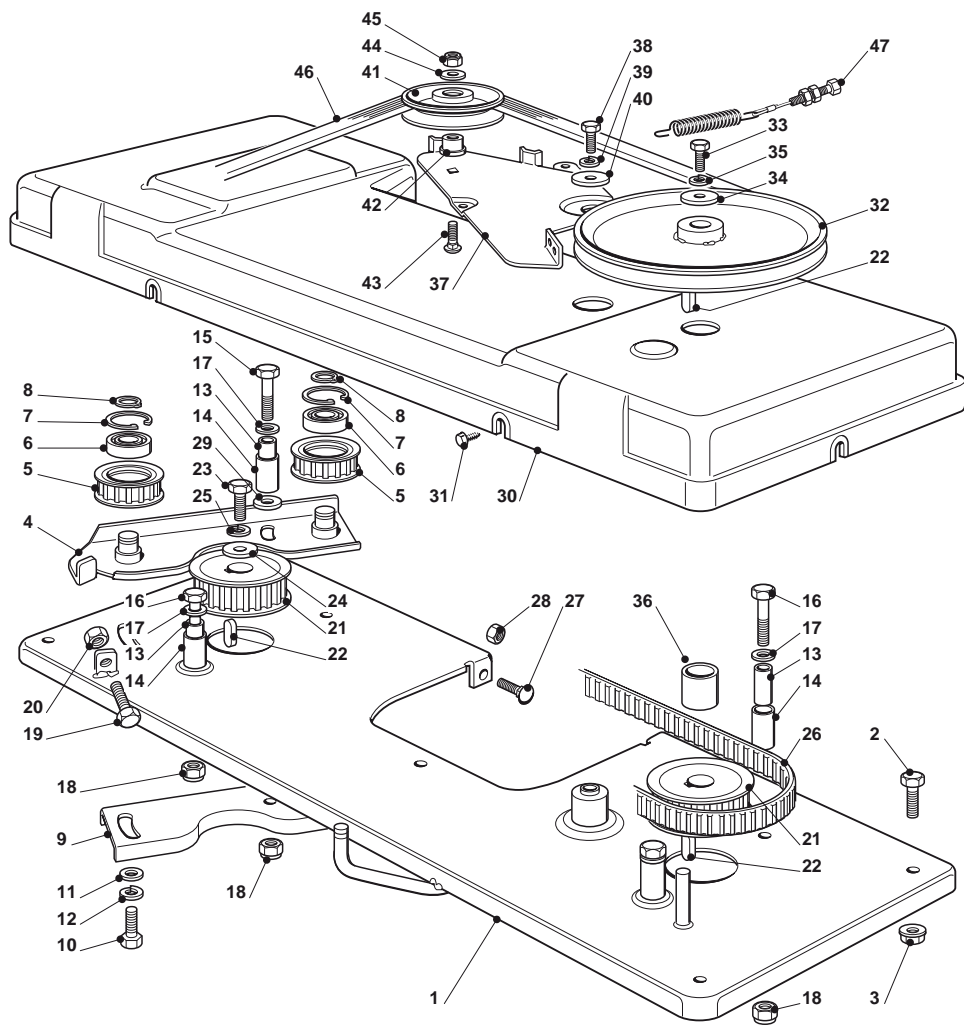
4 WD Transmission				
POS	CODE	Q.TY	DESCRIPTION	NOTES
1	325735127/0	1	Tank	
2	125795002/0	1	Fuel Cap	
3	325755059/0	1	Bracket	
4	112789100/0	1	Screw	
5	112521320/0	2	Washer	
6	112154330/0	1	Low Self-Locking Nut	
7	125600085/0	1	Guard	
8	112789100/0	1	Screw	
9	112521320/0	2	Washer	
10	112154330/0	2	Low Self-Locking Nut	
11	325869076/0	1	Connecting Tube	
12	325869077/0	1	Connecting Tube	
13	118375059/0	4	Fair Led	
14	382869200/1	1	Connecting Tube	
15	382869201/0	1	Connecting Tube	
16	325721000/0	4	Support	
17	325547249/0	2	Plate	
18	112689515/0	1	Screw	
19	125651001/0	2	Tube Connection	
20	112674700/0	1	Screw	
21	125430239/1	1	Spring	



Transmission Ass.Y				
POS	CODE	Q.TY	DESCRIPTION	NOTES
1	325785137/1	1	Support	
2	112791011/0	4	Screw	
3	112292102/0	4	Nut	
4	325735521/0	1	Sector	
5	112793102/0	2	Screw	
6	112293201/0	2	Nut	
7	382000551/0	1	Axle	
8	122034523/0	2	Bush	
9	125160025/0	1	Spacer	
10	322672153/0	1	Antifriction Washer	
11	382318241/0	1	Lever	
12	125033002/1	1	Rod	
13	125394504/1	1	Knob	
14	125605000/1	1	Button	
15	112620206/0	2	Pin	
16	325470901/1	1	Dog	
17	125510011/0	1	Pin	
18	112604899/0	1	Crown Fastener	
19	125430208/0	1	Spring	
20	325033077/0	1	Connecting Rod	
21	125510053/2	1	Pin	
22	325670011/0	1	Antifriction Washer	
23	112436050/0	7	Plate	
24	125430218/1	1	Spring	

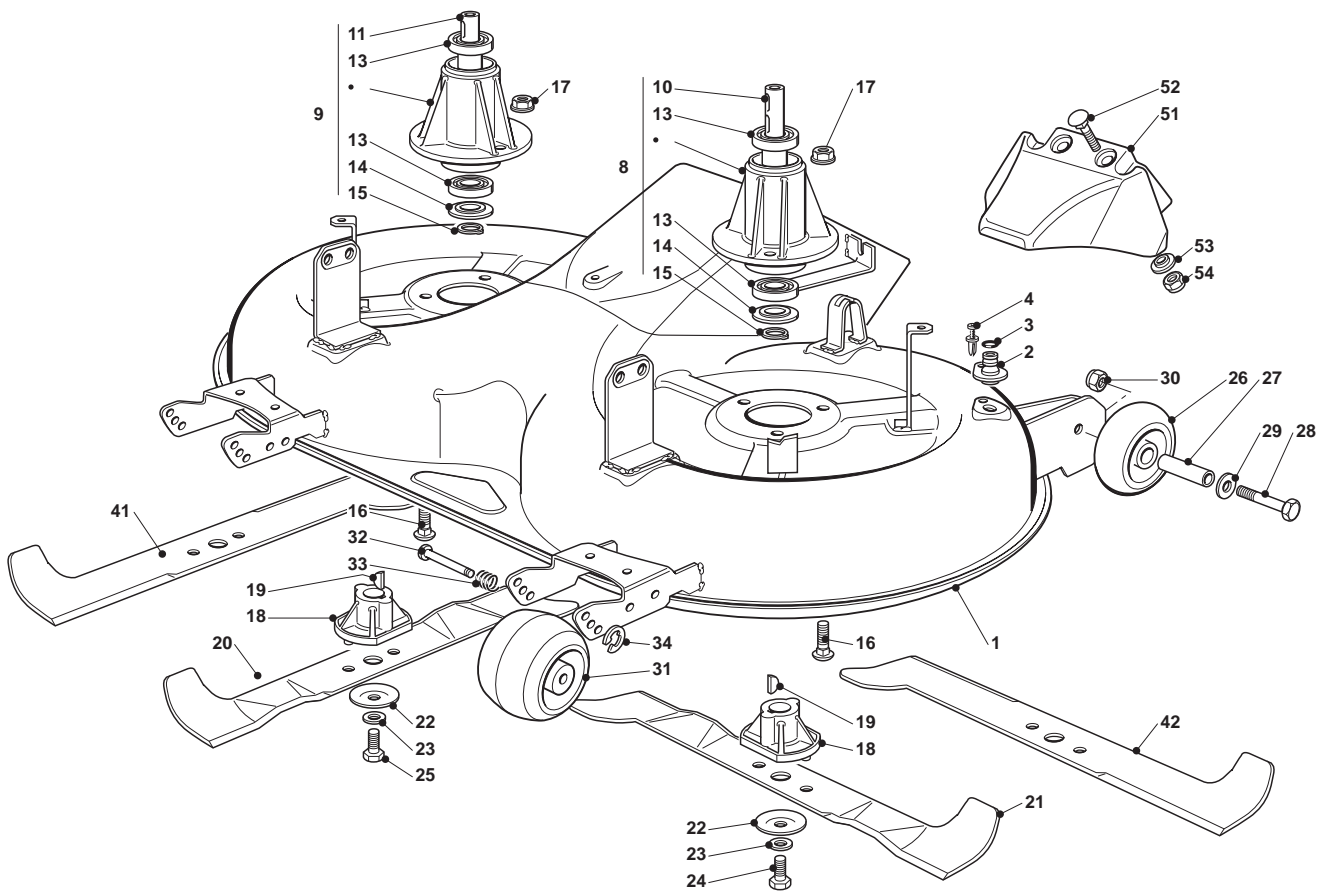


Cutting Plate Lifting				
POS	CODE	Q.TY	DESCRIPTION	NOTES
1	382785181/1	1	Bracket	
2	112818690/0	2	Screw	
3	112293201/0	2	Nut	
4	125520009/0	1	Axle	
5	322672151/0	1	Antifriction Washer	
6	112436030/0	1	Plate	
7	325060037/0	1	Cam	
8	325394530/0	1	Knob	
9	112760600/0	1	Screw	
10	325430267/0	1	Spring	
11	122170600/0	1	Spacer	
12	112789195/0	1	Screw	
13	112154320/0	1	Nut	
14	382000615/0	1	Axle	
15	325785355/0	2	Support	
16	325034003/0	4	Brass	
17	325785354/0	2	Support	
19	125943005/0	1	Screw	
20	112295200/0	1	Hexagonal Nut	
21	112815271/0	4	Screw	
22	112523040/0	4	Washer	
23	112154510/0	4	Nut	
31	382318155/0	1	Front Right Fulcrum Lever	
32	382318157/0	1	Left Fulcrum	
33	125040605/0	4	Bush	
35	325318161/1	2	Lever	
35	112691700/0	2	Screw	
36	112521350/0	4	Washer	
37	112155000/0	2	Nut	
38	125510069/1	2	Pin	
39	112295200/0	4	Hexagonal Nut	
40	112156602/0	2	Nut	
41	325670008/1	4	Washer	
42	125110800/0	2	Cotter Pin	
43	382000477/3	2	Connecting Rod Ass.Y	
44	125510055/1	2	Pin	
45	112521350/0	2	Washer	
46	112155000/0	2	Nut	
47	112155000/0	2	Nut	
48	112293200/0	2	Hexagonal Nut	
49	325318153/2	2	Lever	
50	112609255/0	2	Seeger	
51	325318223/0	2	Gearshift	
52	125510085/1	4	Pin	
53	325670011/0	4	Antifriction Washer	
54	112436050/0	4	Plate	
55	125510056/1	2	Pin	
56	325670008/1	4	Washer	
57	112156602/0	2	Nut	
58	112794985/0	2	Screw	
59	112295200/0	2	Hexagonal Nut	
60	125510070/1	2	Pin	
61	112523090/0	2	Washer	
62	125110800/0	2	Cotter Pin	
63	125510053/2	1	Pin	
64	125510048/1	1	Pin	
65	325670011/0	2	Antifriction Washer	
66	112436050/0	2	Plate	
67	112521350/0	2	Washer	

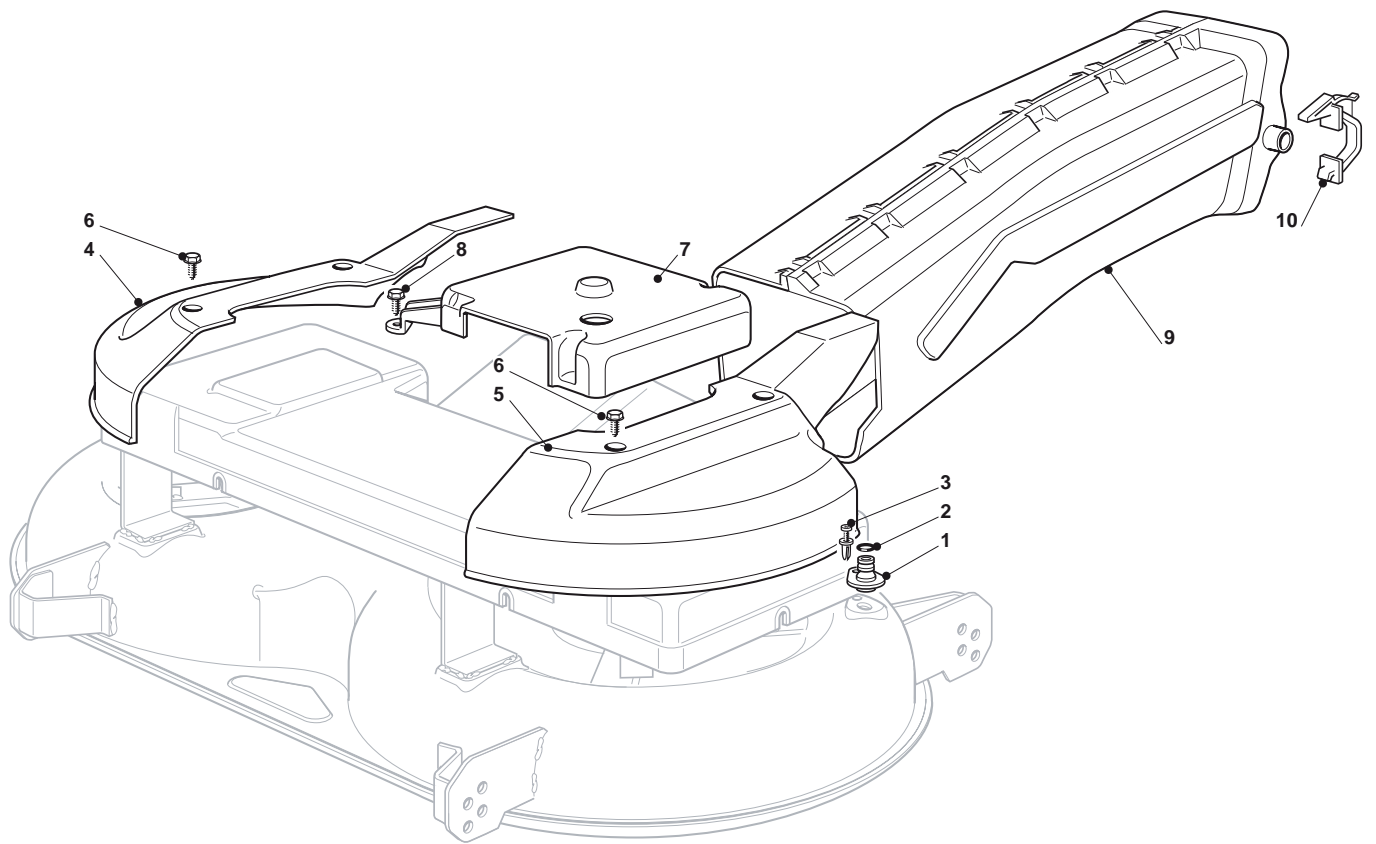




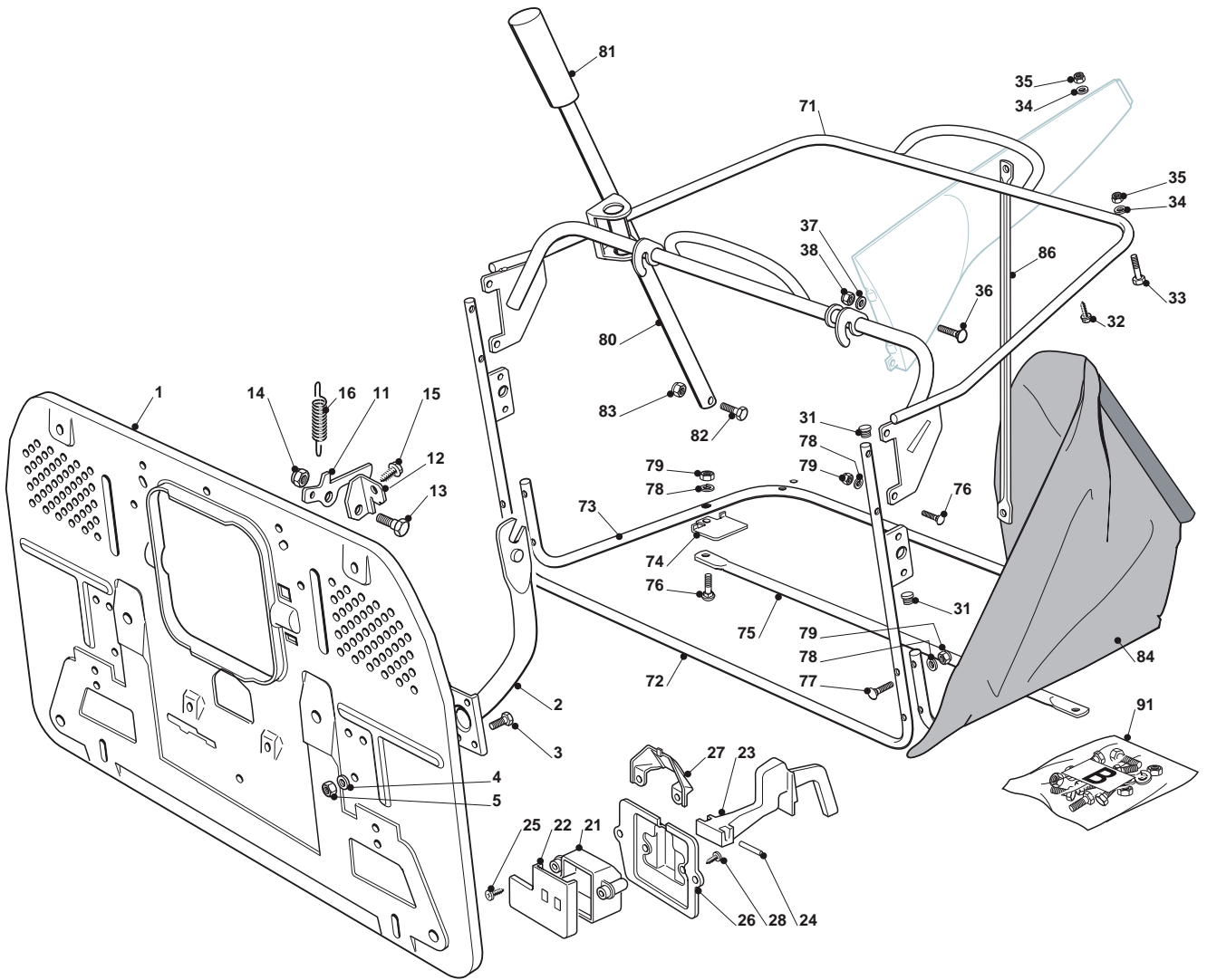
<b>Baldes Engagement</b>				
<b>POS</b>	<b>CODE</b>	<b>Q.TY</b>	<b>DESCRIPTION</b>	<b>NOTES</b>
1	382547003/2	1	Transmission Plate	
2	112792611/0	4	Screw	
3	112293201/0	4	Nut	
4	382785084/1	1	Support	
5	125601559/1	2	Toothed Pulley	
6	119216048/0	2	Bearing	
7	112610800/0	2	Snap Ring	
8	112609200/0	2	Seeger	
9	325650037/0	1	Pulley Stiffening	
10	112793102/0	2	Screw	
11	112521350/0	2	Washer	
12	112583500/0	2	Grower	
13	125160003/0	4	Spacer	
14	125038000/0	4	Bush	
15	112691700/0	1	Screw	
16	112691200/0	3	Screw	
17	112521350/0	4	Washer	
18	112155000/0	4	Nut	
19	112793900/0	1	Screw	
20	112293200/0	1	Hexagonal Nut	
21	125601560/0	2	Pulley	
22	112139480/0	3	Feather	
23	112793102/0	1	Screw	
24	125670007/0	1	Washer	
25	112583500/0	1	Grower	
26	135065600/0	1	Belt	
27	112815200/0	3	Screw	
28	112292102/0	3	Nut	
29	112523060/0	1	Washer	
30	325060128/0	1	Case	
31	112735110/0	6	Screw	
32	125601550/0	1	Pulley	
33	112793102/0	1	Screw	
34	125670007/0	1	Washer	
35	112583500/0	1	Grower	
36	125160002/0	1	Spacer	
37	325318115/1	1	Lever	
38	112793102/0	1	Screw	
39	112583500/0	1	Grower	
40	112523070/0	1	Washer	
41	325601599/0	1	Pulley	
42	125160079/0	1	Spacer	
43	112818900/0	1	Screw	
44	112523060/0	1	Washer	
45	112155000/0	1	Nut	
46	135062811/0	1	Belt	
47	182004608/0	1	Engagging Cable	



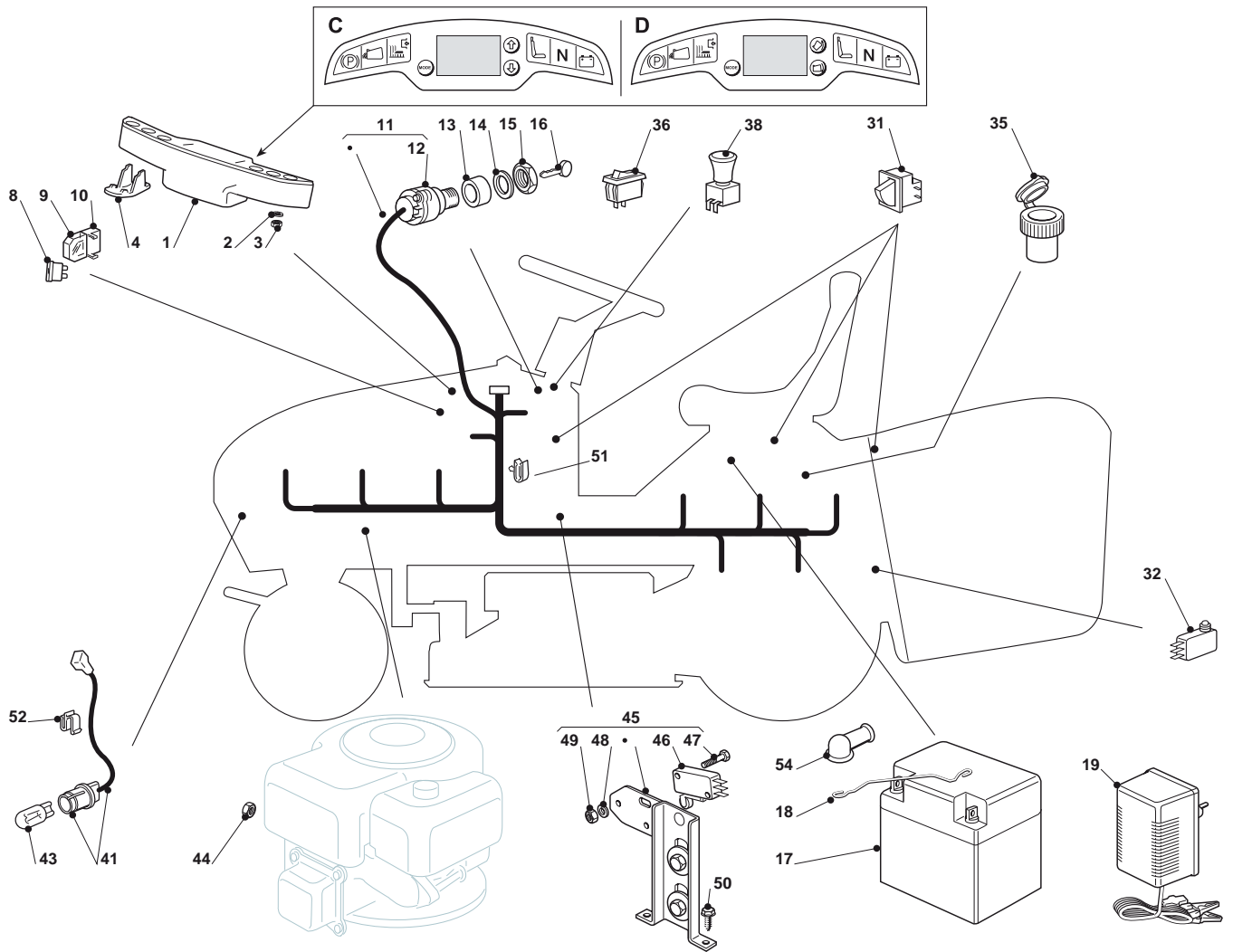
Cutting Deck				
POS	CODE	Q.TY	DESCRIPTION	NOTES
1	382564131/0	1	Cutting Plate Black	
2	125033060/0	2	Washing Deck Connection	
3	119035000/0	2	O.R. Ring	
4	112500030/0	2	Rivet	
8	382207200/1	1	Flange Assy	
9	382207201/2	1	Support Shaft Tc	
10	125020800/1	1	Main Blade Shaft	
11	125020801/2	1	Secondary Blade Shaft	
13	119216032/0	4	Bearing	
14	325160501/0	2	Dust Cover Disc	
15	112609260/0	2	Seeger	
16	112818700/0	6	Screw	
17	112154210/0	6	Self-Locking Nut	
18	125463200/0	2	Blade Hub	
19	112139100/0	2	Key	
20	182004348/0	1	Right Mulching Blade	
21	182004347/0	1	Left Blade Mulching, Winged	
22	122160400/0	2	Elastic Disk	
23	112523080/0	2	Washer	
24	112735694/0	1	Screw	
25	112735695/1	1	Screw	
26	182700003/0	2	Anti Scalp Wheel Ø 80	
27	125510072/0	2	Pin	
28	112692050/0	2	Screw	
29	112523060/0	2	Washer	
30	112293201/0	2	Nut	
31	182700004/0	2	Anti Scalp Wheel Ø 100	
32	125510121/0	2	Pin	
33	122450115/0	2	Spring	
34	112000930/0	2	Benzing Ring	
41	182004341/1	1	Right Blade, Winged	
42	182004340/1	1	Left Blade, Winged	
51	325140100/0	1	Deflector	
52	112815210/0	2	Screw	
53	125038002/1	2	Bush	
54	112154510/0	2	Nut	



Guards And Conveyor				
POS	CODE	Q.TY	DESCRIPTION	NOTES
1	125033060/0	2	Washing Deck Connection	
2	119035000/0	2	O.R. Ring	
3	112500030/0	2	Rivet	
4	125060104/0	1	Right Case	
5	125060105/0	1	Left Case	
6	112735403/0	4	Screw	
7	125600049/0	1	Belt Protection	
8	112735403/0	3	Screw	
9	382108017/0	1	Conveyor	
10	325774373/0	2	Clamp	

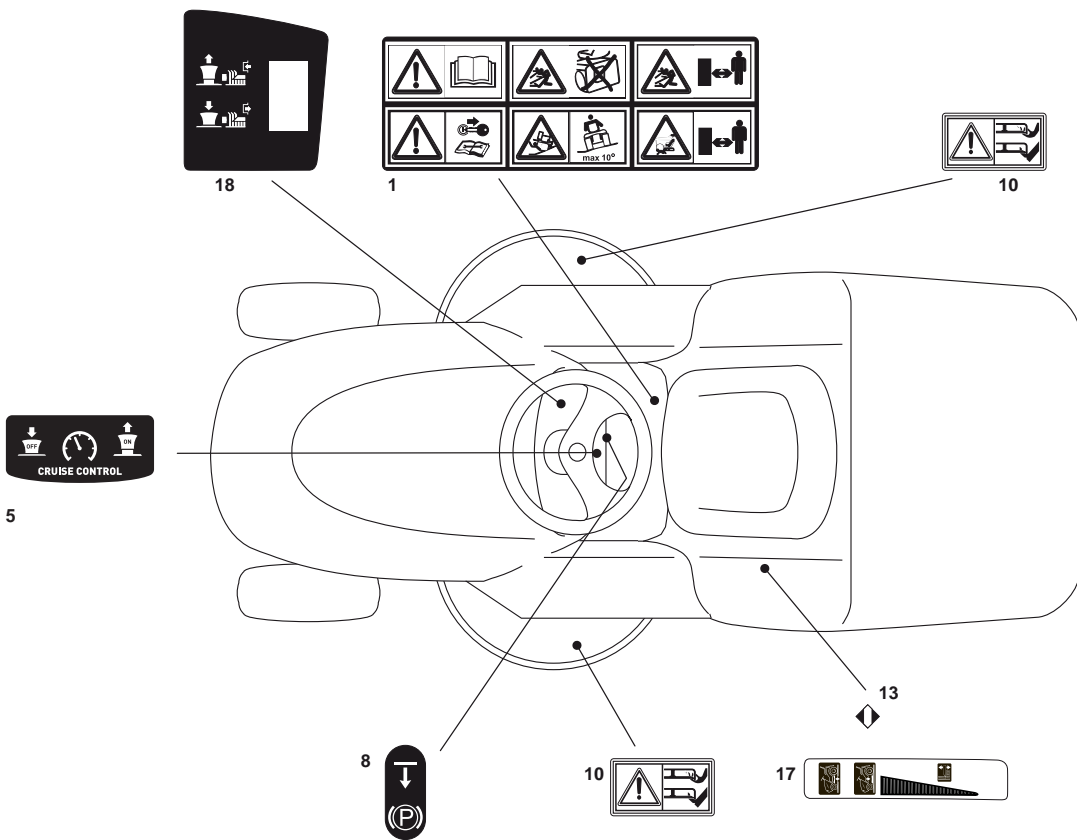


Grasscatcher				
POS	CODE	Q.TY	DESCRIPTION	NOTES
1	382547051/0	1	Plate	
2	182774225/1	2	Support	
3	112793102/0	6	Screw	
4	112523060/0	6	Washer	
5	112293201/0	6	Nut	
11	325774417/0	1	Clamp	
12	325755031/1	1	Bracket	
13	125510080/1	1	Pin	
14	112292102/0	1	Nut	
15	112735122/0	1	Screw	
16	127430579/1	1	Spring	
21	125600041/0	1	Grassc.Full Micro Protection	
22	125600042/0	1	Grasscatcher Micro Prot Cover	
23	125318124/0	1	Full Grassc. Microswtich Cover	
24	112400030/0	1	Pin	
25	112728510/0	1	Screw	
26	325785272/0	1	Micro Protection	
27	125600048/0	1	Empty Micro Grassc.Protection	
28	112728450/0	2	Screw	
31	118566110/0	4	Push Rod	
32	112735410/0	4	Screw	
33	112689500/0	2	Screw	
34	112521330/0	4	Washer	
35	112154510/0	4	Nut	
36	112815220/0	2	Screw	
37	112521330/0	2	Washer	
38	112154510/0	2	Nut	
71	382800123/1	1	Upper Frame	
72	382800091/1	1	Frame	
73	325800031/0	1	Lower Frame	
74	325547131/0	1	Plate	
75	382650043/0	1	Lower Stiffening	
76	112815220/0	6	Screw	
77	112815245/0	4	Screw	
78	112521330/0	10	Washer	
79	112154510/0	10	Nut	
80	125869029/1	1	Grasscatcher Lifting Tube	
81	125394508/0	1	Knob	
82	112674550/0	1	Screw	
83	112154510/0	1	Nut	
84	182105945/0	1	Grasscatcher	
86	325650159/0	1	Rear Stiffening	
91	382180116/0	1	Screw	

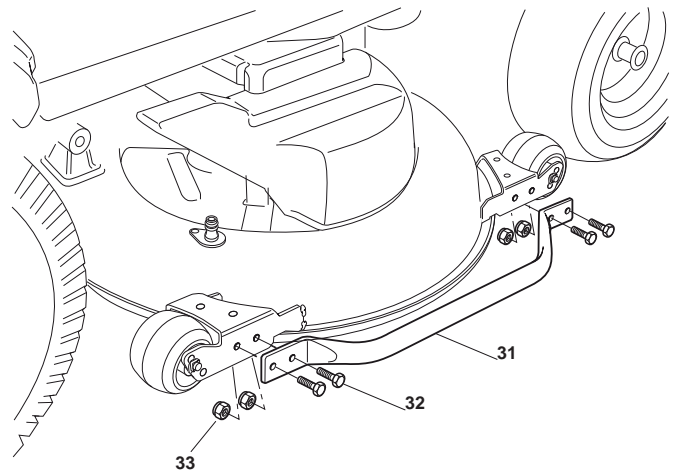
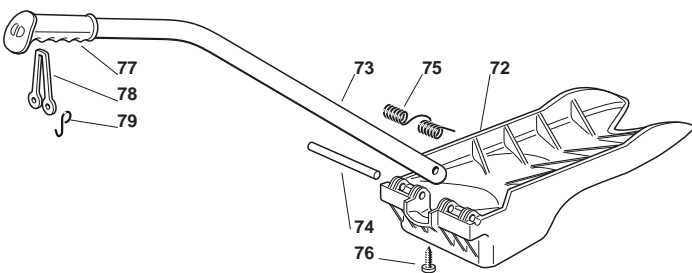
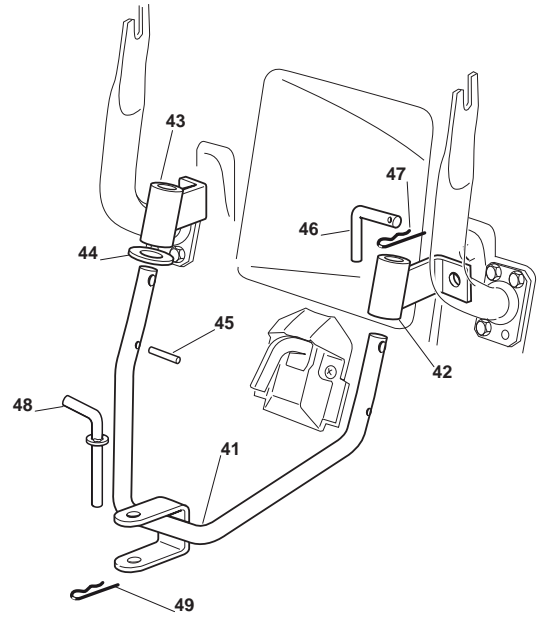
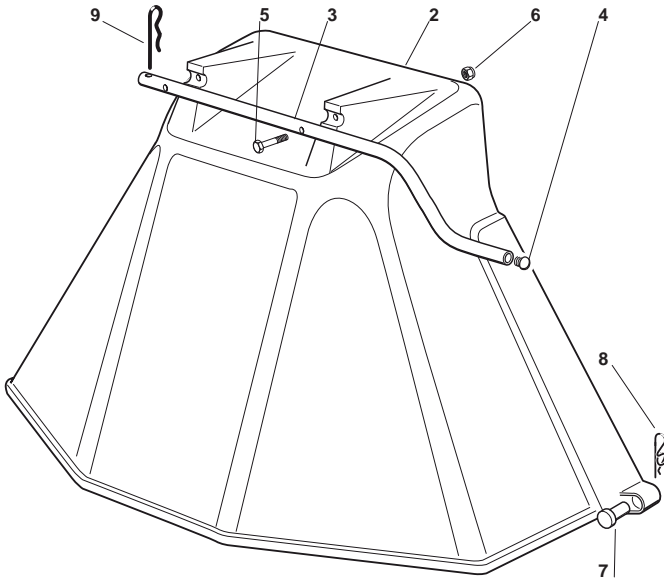




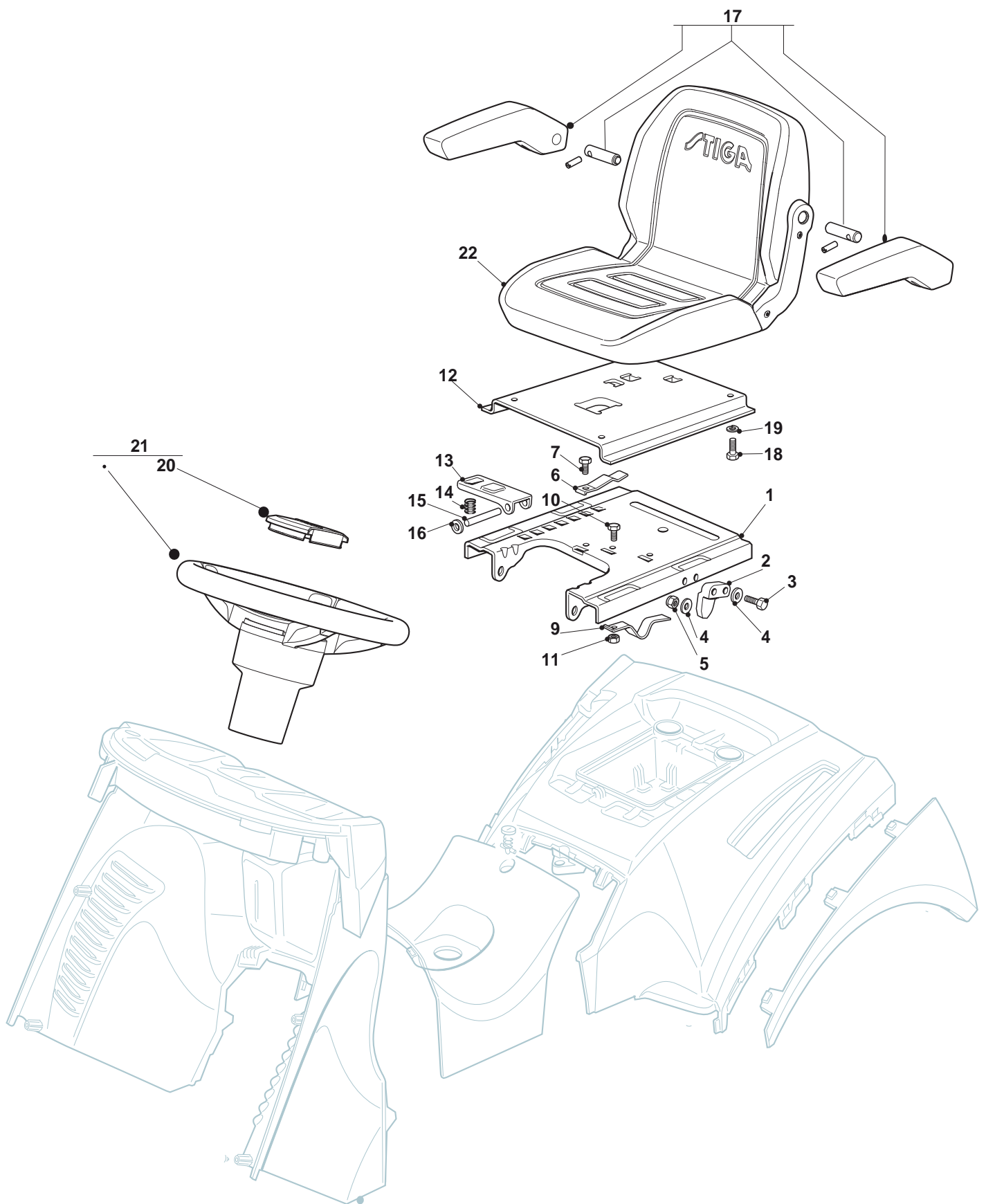
Electrical Parts				
POS	CODE	Q.TY	DESCRIPTION	NOTES
1	382722423/2	1	Cards + Guards (C)	
2	112521320/0	2	Washer	
3	112154330/0	2	Low Self-Locking Nut	
4	325031501/0	1	Deflector	
8	133340036/0	1	Fuse 25 A	
8	133340040/0	1	Lamellar Fusible 10A	
9	133215000/0	2	Cover	
10	133500007/0	2	Fuse Carrier	
11	182040179/0	1	Cables Ass.Y	
12	118450072/0	1	Starting Switch	
13	118550136/0	1	Spacer	
14	118550135/0	1	Washer	
15	118400862/0	1	Ring Nut	
16	118210022/0	1	Starting Key	
17	118120057/0	1	Battery	
18	125430230/0	1	Spring	
19	182180090/0	1	Battery Charger	
31	119410615/0	3	Micro Switch	
32	119410605/1	1	Micro Switch	
35	118450200/0	1	Cigarette Lighter Socket	
36	118450060/1	1	Headlight Interrupt.	
38	118450068/0	1	Delta Switch	
41	182040073/0	1	Lamp Holder	
43	118459100/0	2	Lamp For Lights	
44	112361005/0	1	Hexagonal Nut	
45	382394853/0	1	Switch Ass.Y	
46	119410609/0	1	Micro Switch	
47	112735602/0	2	Screw	
48	112581100/0	2	Grower	
49	112290791/0	2	Hexagonal Nut	
50	112735110/0	2	Screw	
51	133320506/0	5	Fairlead	
52	133320504/0	1	Fairlead	
54	118564864/1	1	Protection	



<b>Labels</b>				
<b>POS</b>	<b>CODE</b>	<b>Q.TY</b>	<b>DESCRIPTION</b>	<b>NOTES</b>
1	114361553/0	1	Label	
5	114365612/0	1	Label	
8	114363700/0	1	Label	
10	114356699/1	2	Label	
13	114357913/0	1	Label	
17	114363414/0	1	Label	
18	114360715/2	1	Label	



Optionals On Request				
POS	CODE	Q.TY	DESCRIPTION	NOTES
2	382400003/1	1	Ejection Guard	
3	325869043/0	1	Rear Support	
4	118566112/0	2	Push Road	
5	112689515/0	2	Screw	
6	112154510/0	2	Nut	
7	125510022/0	2	Pin	
8	124487998/0	2	Cotter Pin	
9	124487999/0	1	Spring Pin	
31	325869081/0	2	Guard	
32	112793102/0	6	Screw	
33	112155000/0	6	Nut	
41	382033113/0	1	Rod	
42	382774265/0	1	Bracket Right Hitch Support	
43	382774267/0	1	Bracket Left Hitch Support	
44	112521395/0	2	Washer	
45	112620305/0	2	Elastic Pin	
46	125510118/0	2	Pin	
47	124487997/0	2	Cotter Pin	
48	125510021/1	1	Hitch Pin	
49	124487999/0	1	Spring Pin	
72	325140097/0	1	Deflector	
73	325394019/0	1	Handle	
74	125510077/0	1	Pin	
75	125430245/0	1	Spring	
76	112735405/0	1	Screw	
77	325280000/1	1	Handgrip	
78	125840011/1	1	Tie Rod	
79	125253004/0	2	Mulch.Kit Fixing Hook	



<b>Seat &amp; Steering Wheel</b>				
<b>POS</b>	<b>CODE</b>	<b>Q.TY</b>	<b>DESCRIPTION</b>	<b>NOTES</b>
1	325785149/2	1	Fixed Seat Support	
2	325060049/0	1	Seat Switch Cam	
3	112815050/0	2	Screw	
4	112521320/0	4	Washer	
5	112372550/0	2	Nut	
6	125430203/1	1	Spring	
7	112731580/0	1	Screw	
9	125430223/2	1	Spring	
10	112789000/0	1	Screw	
11	112154330/0	1	Low Self-Locking Nut	
12	325785147/2	1	Seat Support	
13	325318109/1	1	Stop Lever	
14	125430202/1	1	Spring	
15	125510000/0	1	Pin	
16	112604897/0	2	Elastic Washer	
17	1134-7831-01	1	Arm-Rest Assy	
18	112793102/0	4	Screw	
19	112583500/0	4	Grower	
20	325580508/0	1	Steering Plate	
21	325961222/1	1	Steering Wheel	
22	125722479/0	1	Seat	