



www.stiga.com

Illustrated Parts List

for model:

ESTATE 7102 HWS

- Use GLOBAL GARDEN PRODUCT genuine spare parts specified in the parts list for repair and/or replacement.
- Then contents described in the parts list may change due to improvement.
- The drawings of the spare part are only indicative and might not represent the part in question exactly.
- The indications "right" - "left" - "front" - "rear" refer to the position of the operator when using the machine.
- When placing orders of parts for repair and/or replacement, make sure that the illustrated parts list is the one applying to the machine's year of manufacture, as shown on the identification plate attached to the machine.

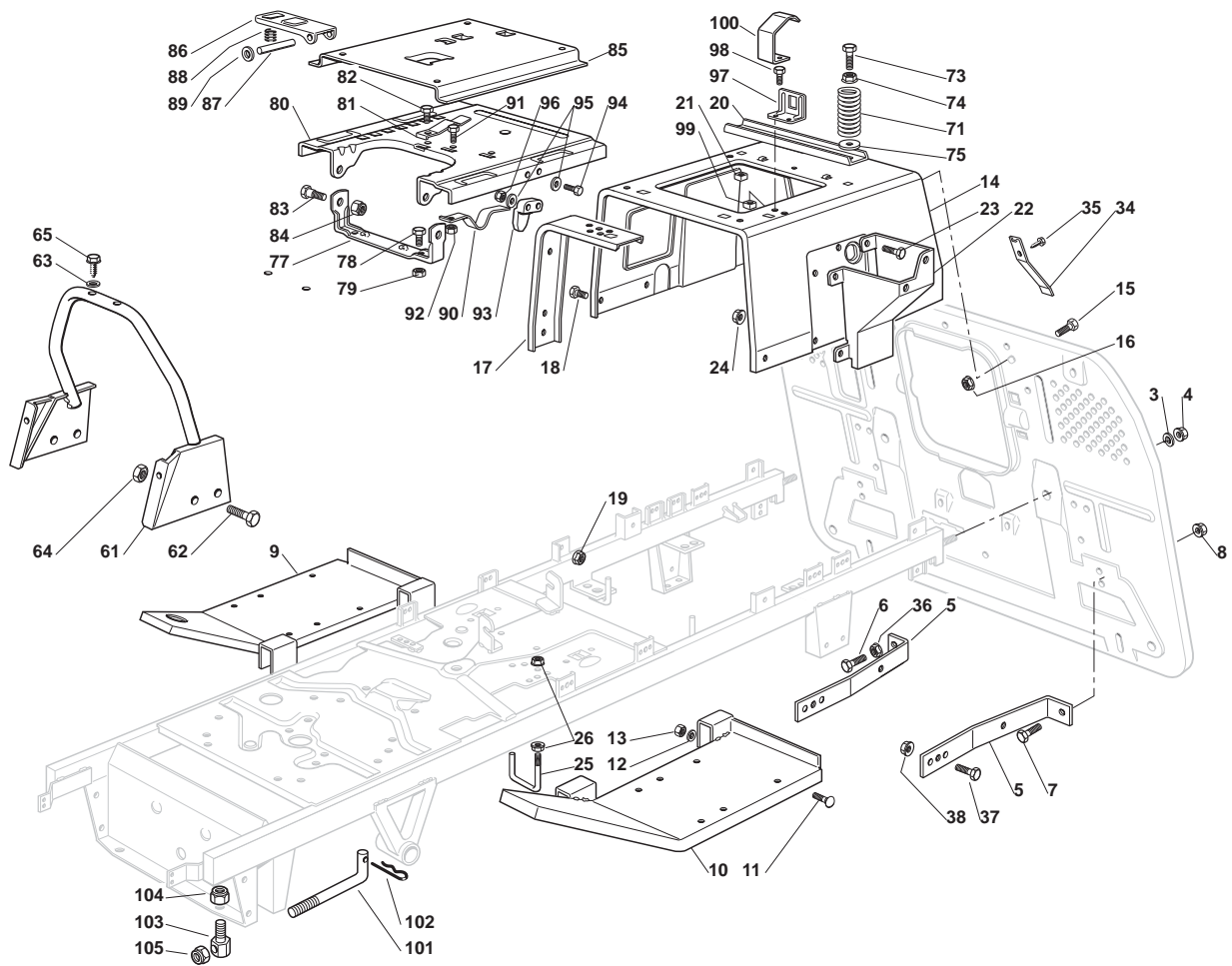
© Copyright 2014 Global Garden Products

All content is subject to copyright by Global Garden Products and may not be reproduced in whole or in part by any means, electronic or otherwise, without prior written approval.

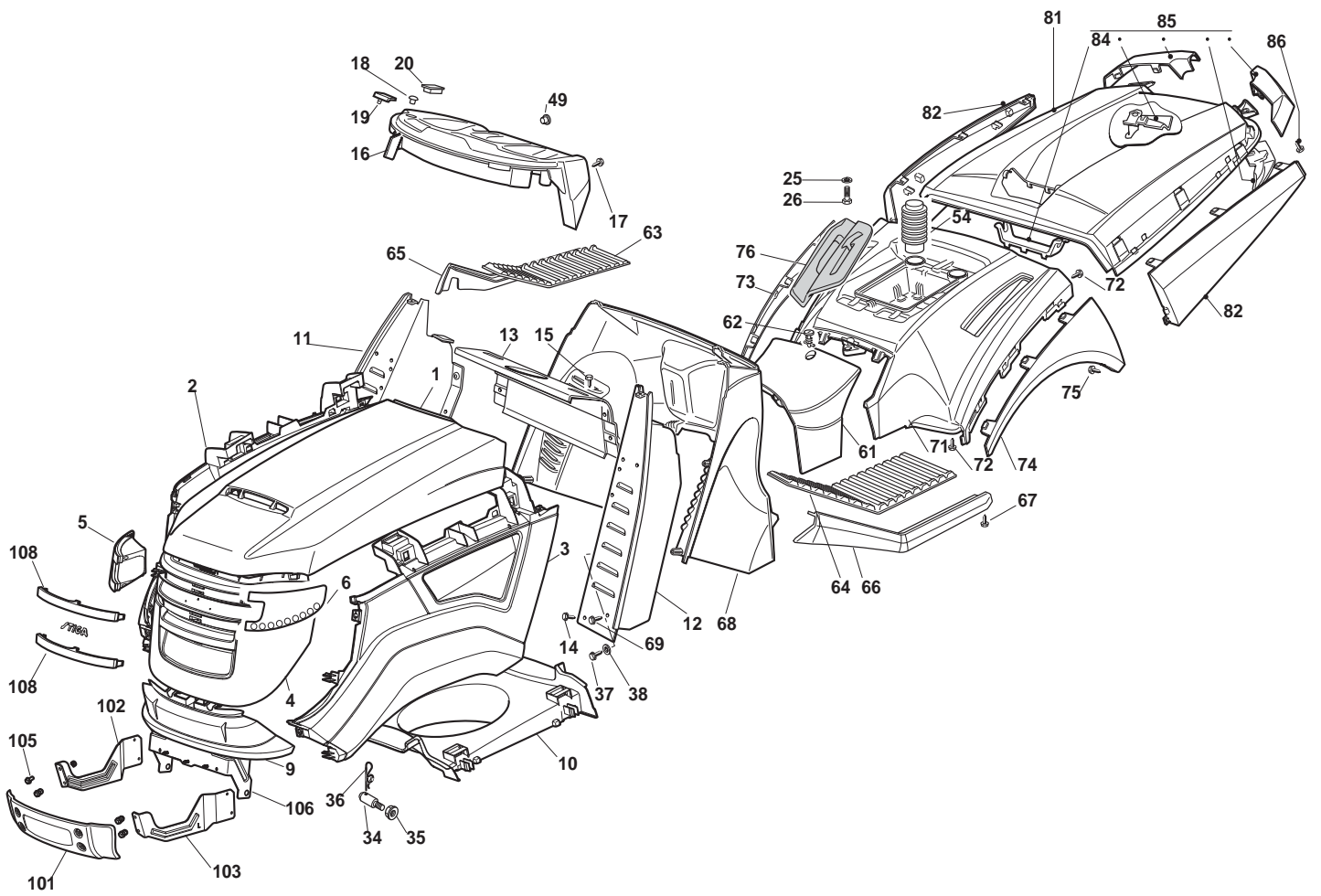
THIS INFORMATION IS NOT INTENDED FOR SALE OR RESALE, AND THIS NOTICE MUST REMAIN ON ALL COPIES.

www.ggp-group.com

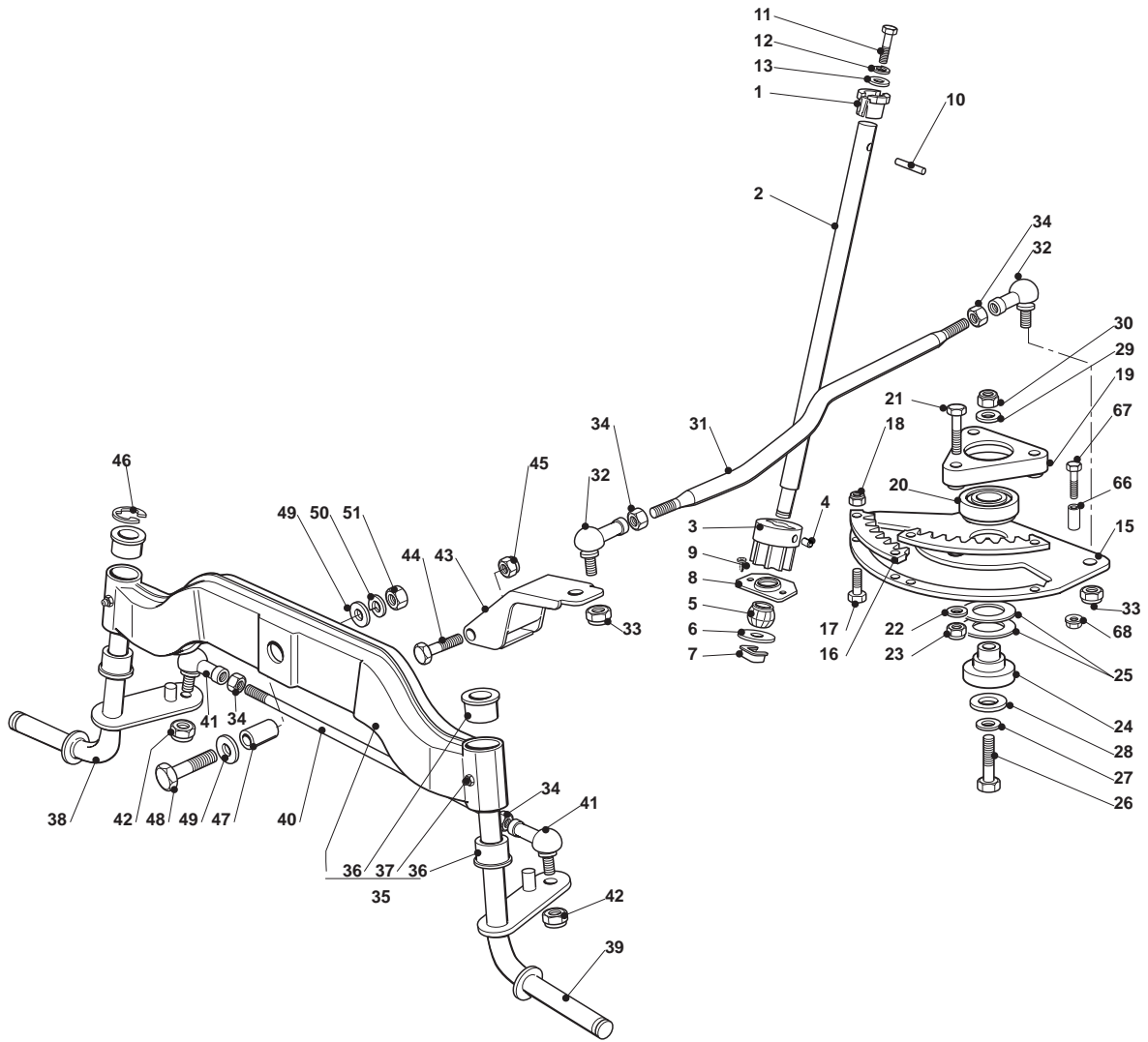




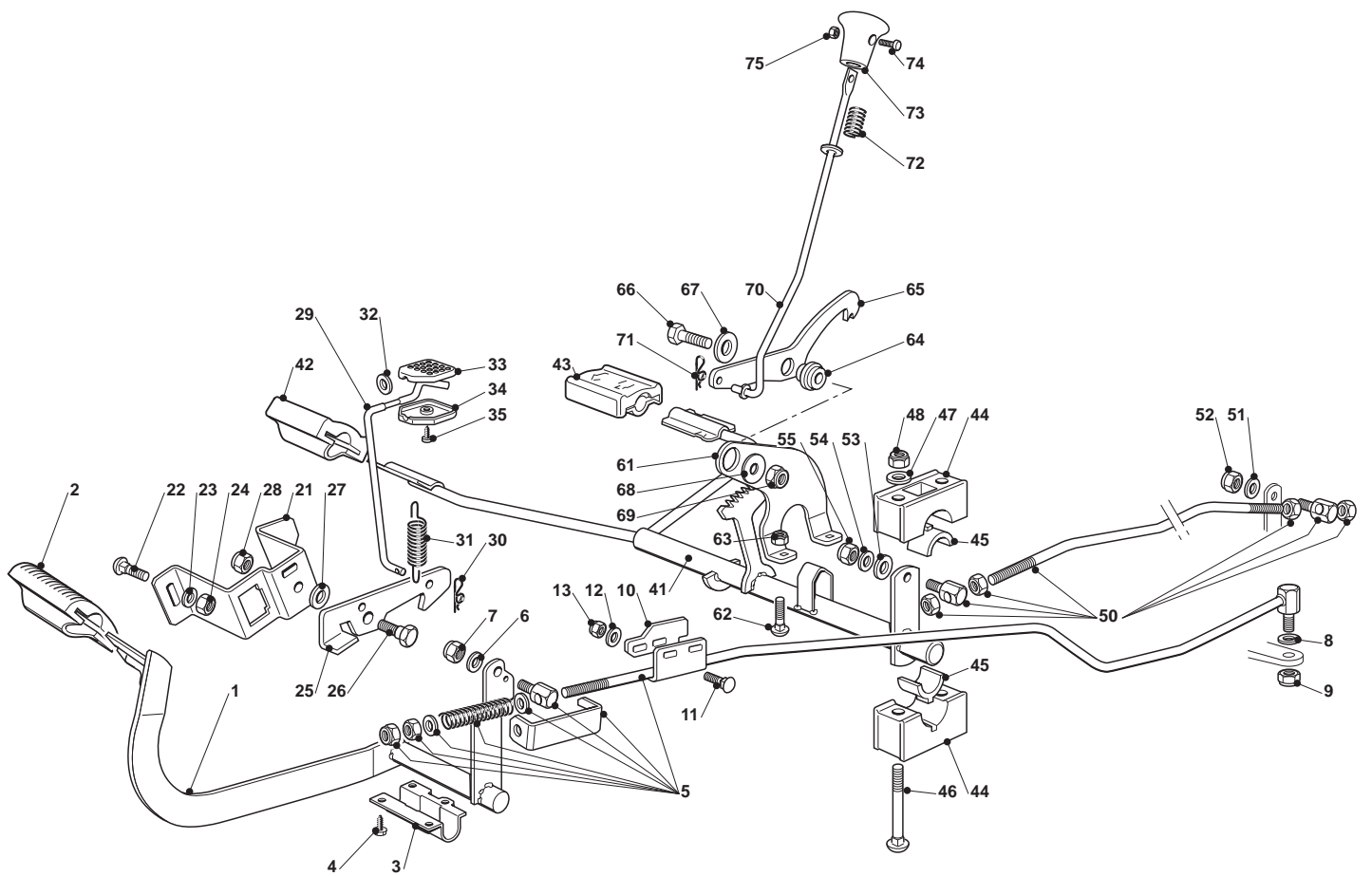
Frame				
POS	CODE	Q.TY	DESCRIPTION	NOTES
3	112585100/0	2	Washer	
4	112295200/0	2	Nut	
5	325774273/1	2	Stiffening	
6	112691100/0	1	Screw	
7	112793102/0	3	Screw	
8	112293201/0	4	Nut	
9	382510041/2	1	Right Footboard Support	
10	382510043/2	1	Left Footboard Support	
11	112815245/0	4	Screw	
12	112523040/0	4	Washer	
13	112154510/0	4	Nut	
14	325785133/5	1	Seat Support	
15	112791011/0	5	Screw	
16	112292102/0	5	Nut	
17	325650065/0	2	Stiffening	
18	112791011/0	6	Screw	
19	112292102/0	6	Nut	
20	325650067/0	1	Stiffening	
21	112360420/0	2	Nut	
22	325785137/1	1	Support	
23	112791011/0	4	Screw	
24	112292102/0	4	Nut	
25	125580019/0	1	Belt Guide	
26	112292102/0	2	Nut	
34	125430238/1	1	Spring	
35	112731580/0	1	Screw	
36	112293200/0	1	Nut	
37	112793102/0	2	Screw	
38	112293201/0	2	Nut	
61	382650045/0	1	Chassis	
62	112792611/0	4	Screw	
63	112521330/0	2	Washer	
64	112292102/0	4	Nut	
65	112731350/0	2	Screw	
71	125430257/1	2	Spring	
73	125943001/1	2	Screw	
74	112293201/0	2	Nut	
75	112523070/0	2	Washer	
77	382774207/0	1	Seat Clamp Support	
78	112792611/0	2	Screw	
79	112293201/0	2	Nut	
80	325785149/2	1	Fixed Seat Support	
81	125430203/1	1	Spring	
82	112731580/0	1	Screw	
83	122524970/2	2	Fulcrum Pin	
84	112155010/0	2	Nut	
85	325785147/2	1	Seat Support	
86	325318109/1	1	Stop Lever	
87	125510000/0	1	Pin	
88	125430202/1	1	Spring	
89	112604897/0	2	Elastic Washer	
90	125430223/2	1	Spring	
91	112789000/0	1	Screw	
92	112154330/0	1	Low Nut	
93	325060049/0	1	Seat Switch Cam	
94	112815050/0	2	Screw	
95	112521320/0	4	Washer	
96	112154330/0	2	Low Nut	
97	325755025/1	1	Bracket	
98	112735110/0	2	Screw	
99	112437502/0	2	Plate	
100	325430255/0	1	Spring	
101	125510119/0	2	Tie Rod	
102	124487997/0	2	Cotter Pin	
103	125510040/1	2	Pin	
104	112155000/0	2	Nut	
105	112155000/0	2	Nut	



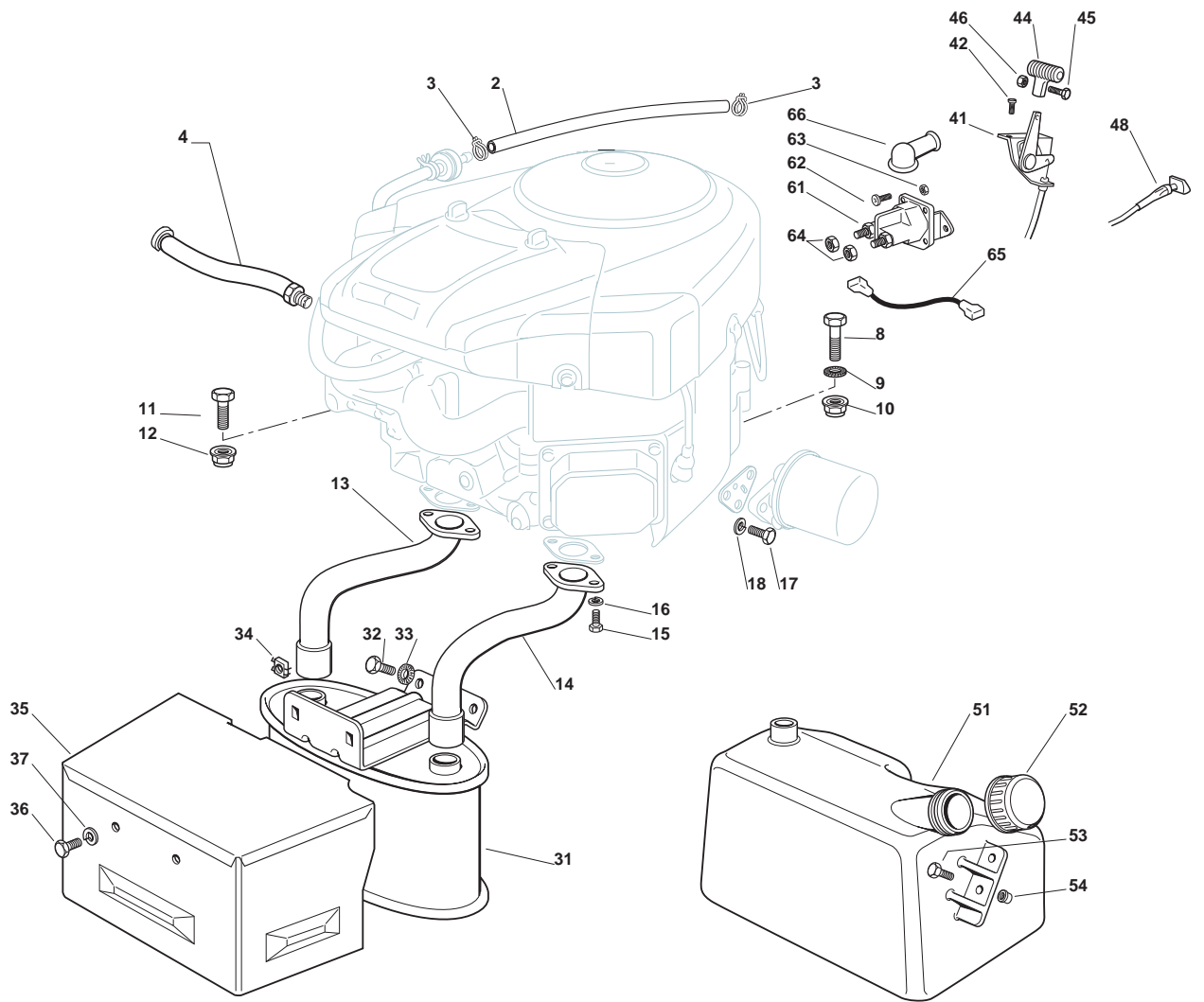
Body				
POS	CODE	Q.TY	DESCRIPTION	NOTES
1	325076866/0	1	Upper Engine Hood, Yellow	
2	382394646/0	1	Hood, Right	
3	382394645/0	1	Hood, Left	
4	325076953/0	1	Lower Grey Hood, Front	
5	382185500/0	1	Right Lamp Light	
6	382185501/0	1	Left Lamp Light	
8	112735403/0	6	Screw	
9	325076959/0	1	Lower Grey Hood, Front	
10	325108031/0	1	Conveyor	
11	382785022/9	1	Right Dashboard Support	
12	382785021/8	1	Left Dashboard Support	
13	382785137/0	1	Central Dashboard Support	
14	112735110/0	2	Screw	
15	112735110/0	4	Screw	
16	325120205/0	1	Dashboard, Black (Cruise Control)	
17	112728440/0	4	Screw	
18	125120200/0	2	Cap	
19	125260000/0	2	Grommet	
20	325120234/0	1	Cap	
21	112620299/0	1	Elastic Pin	
25	112583500/0	4	Grower	
26	112793102/0	4	Screw	
34	125510068/0	2	Pin	
35	112293201/0	2	Nut	
36	124487998/0	1	Cotter Pin	
37	112731350/0	2	Screw	
38	112521330/0	2	Washer	
49	325120233/0	1	Cap	
54	325737002/0	2	Hood	
61	325110466/0	1	Grey Central Cover	
62	125580020/2	1	Pin	
63	325110278/1	1	Right Footboard Cover	
64	325110279/0	1	Left Footboard Cover	
65	325599018/0	1	Right Profile Grey	
66	325599017/0	1	Left Profile Grey	
67	112731580/0	6	Screw	
68	325785449/0	1	Dashboard Support	
69	112735403/0	7	Screw	
71	325109754/0	1	Yellow Wheels Cover	
72	112735402/0	4	Screw	
73	325109793/0	1	Right Wheel Cover	
74	325109794/0	1	Left Wheel Cover	
75	112728686/0	2	Screw	
76	325207129/0	1	Cover	
81	325110308/0	1	Yellow Grass-Catcher Cover	
82	382110299/0	1	Cover Assy	
84	325394009/0	1	Handle Cover	
85	382110300/0	1	Angles Assy	
86	112735403/0	4	Screw	
101	382263503/0	1	Bumper	
102	382785251/0	2	Right Support	
103	382785253/0	4	Left Support	
105	112800815/0	4	Screw	
106	325774301/2	1	Engine Hood Support	
107	112735403/0	5	Screw	
108	325076956/0	1	Frontal Moulding	



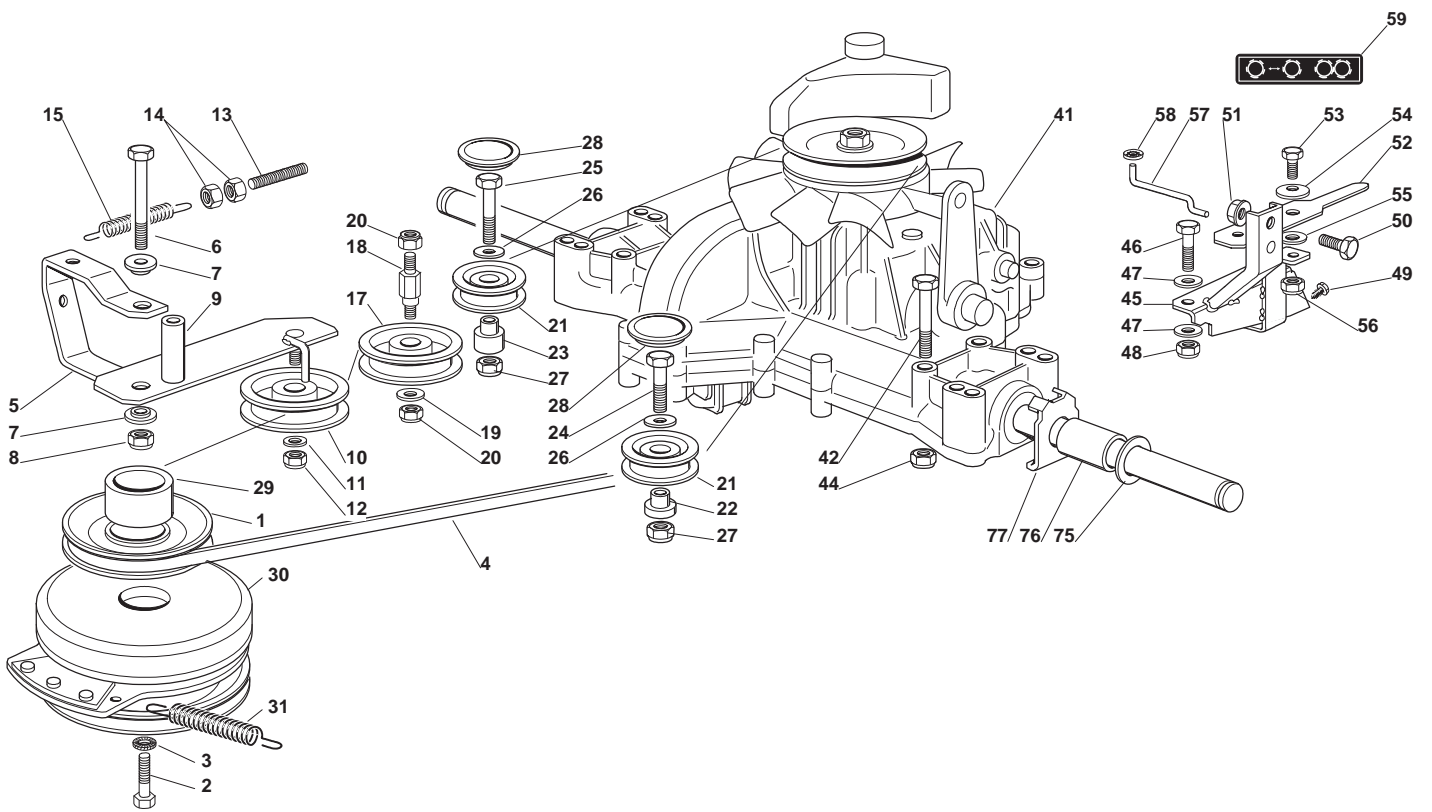
Steering 15"				
POS	CODE	Q.TY	DESCRIPTION	NOTES
1	325038004/0	1	Bush	
2	125520010/0	1	Steering Column	
3	125570004/0	1	Pinion	
4	112714300/0	1	Dowel	
5	325743000/0	1	Joint Tc/Junior	
6	112521370/0	1	Washer	
7	112436030/0	1	Plate	
8	325785213/1	1	Support	
9	112729601/1	2	Screw	
10	112620250/0	1	Pin	
11	112691800/0	1	Screw	
12	112583500/0	1	Grower	
13	112523060/0	1	Washer	
15	325735523/0	1	Steering Shaft	
16	325150000/0	2	Rack	
17	112791213/1	4	Screw	
18	112154510/0	4	Nut	
19	325774453/0	1	Clamp	
20	119216047/0	1	Bearing	
21	112691100/0	3	Screw	
22	112523060/0	3	Washer	
23	112155000/0	3	Nut	
24	125510120/0	1	Support	
25	322672153/0	2	Antifriction Washer	
26	112692395/1	1	Screw	
27	112523080/0	1	Washer	
28	112521390/0	1	Washer	
29	112523080/0	1	Washer	
30	112156602/0	1	Nut	
31	125033003/1	1	Steering Rod	
32	122746600/0	2	Joint	
32	122746616/0	2	Joint	
33	122746609/0	2	Joint	
34	112156602/0	4	Nut	
35	382034001/3	1	Equalizer W/ Bush And Lubricator	
36	125034002/1	4	Bush	
37	112379511/0	2	Grease Dispenser	
38	382230361/1	1		
39	382230359/1	1		
40	325840001/0	1	Tie Rod	
41	122746616/0	2	Joint	
42	112156602/0	2	Nut	
43	382318185/0	1	Lever Ass.Y	
44	112692395/1	1	Screw	
45	112156602/0	1	Nut	
46	112001000/0	1	Benzing Ring	
47	125160005/0	1	Spacer	
48	112694100/0	1	Screw	
49	112521390/0	2	Washer	
50	112587900/0	1	Grower	
51	112295800/0	1	Nut	
66	122167840/0	1	Spacer	
67	112691200/0	1	Screw	
68	112293201/0	1	Nut	



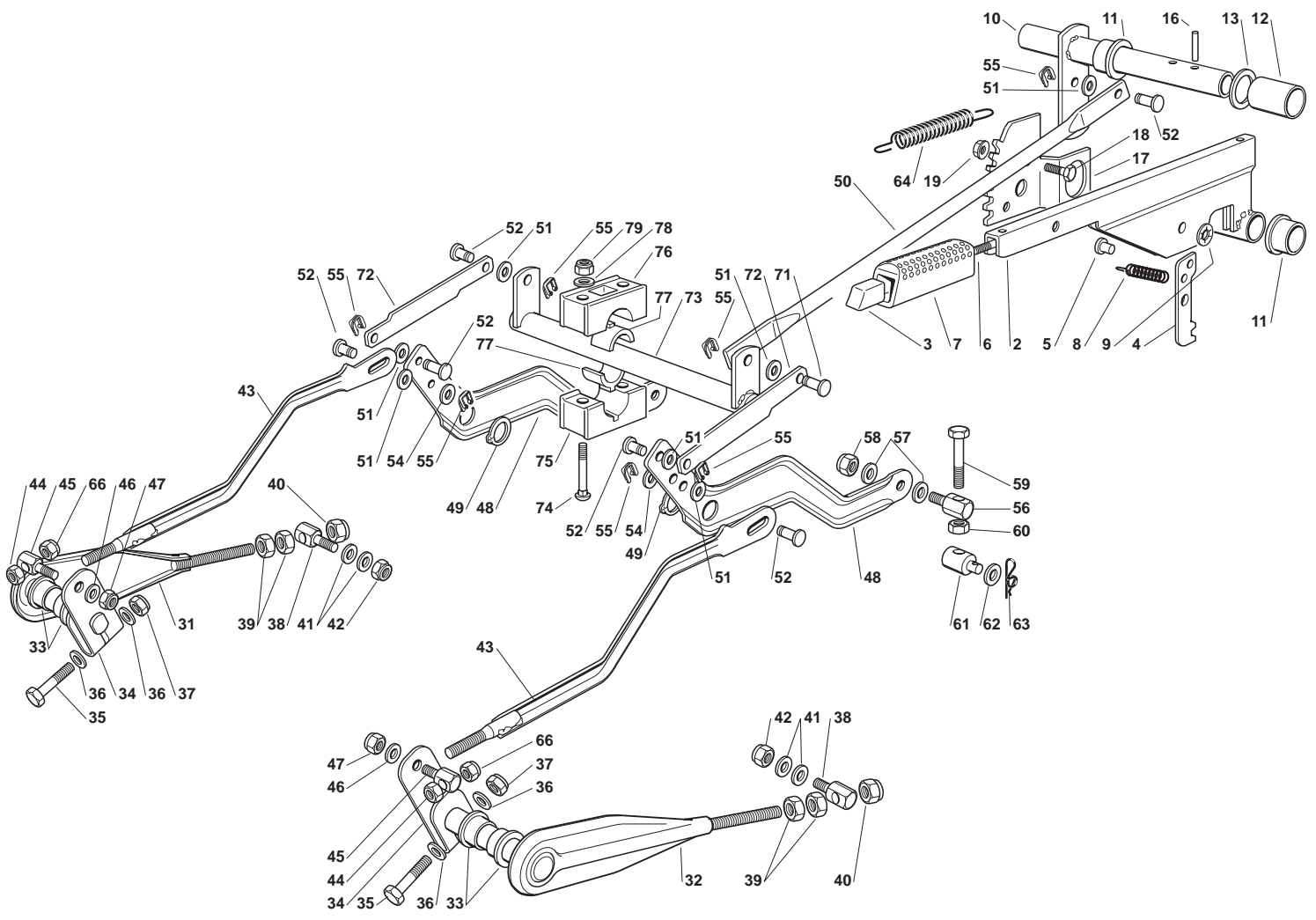
Drive And Brake Controls				
POS	CODE	Q.TY	DESCRIPTION	NOTES
1	382500011/2	1	Pedal	
2	325110416/0	1	Clamp Cover	
3	325547081/2	1	Plate	
4	112731601/0	4	Screw	
5	382000626/0	1	Brake Rod Assy	
6	112521350/0	1	Washer	
7	112155000/0	1	Nut	
8	112521360/0	2	Washer	
9	112155000/0	1	Nut	
10	325547281/1	1	Plate	
11	112815210/0	2	Screw	
12	112523040/0	2	Washer	
13	112154510/0	2	Nut	
21	325785143/1	1	Support	
22	112815210/0	2	Screw	
23	112523040/0	1	Washer	
24	112154510/0	2	Nut	
25	325253001/0	1	Hook	
26	122524970/2	1	Fulcrum Pin	
27	325670011/0	1	Antifriction Washer	
28	112155000/0	1	Nut	
29	125033097/0	1	Rod	
30	124487997/0	1	Cotter Pin	
31	125430213/0	1	Spring	
32	112523040/0	1	Washer	
33	325592001/0	1	Knob	
34	325592002/0	1	Knob	
35	112727815/0	1	Screw	
41	382000389/0	1	Drive Pedal	
42	325110417/0	1	Clamp Cover Front	
43	325110418/0	1	Clamp Cover Rear	
44	325785354/0	4	Support	
45	325034003/0	4	Brass	
46	112815271/0	4	Screw	
47	112523040/0	4	Washer	
48	112154510/0	4	Nut	
50	382000579/0	1	Rod	
51	112523040/0	1	Washer	
52	112154510/0	1	Nut	
53	112521360/0	1	Washer	
54	112523040/0	1	Washer	
55	112154510/0	1	Nut	
61	325774477/0	1	Clamp	
62	112815210/0	2	Screw	
63	112292102/0	2	Nut	
64	125040638/0	1	Bush	
65	325022000/1	1	Hook	
66	112691100/0	1	Screw	
67	112523060/0	1	Washer	
68	322672152/0	1	Antifriction Washer	
69	112155000/0	1	Nut	
70	125033091/0	1	Rod	
71	124487995/0	1	Cotter Pin	
72	125430232/0	1	Spring	
73	325605002/0	1	Button	
74	112726389/0	1	Screw	
75	112290800/0	1	Nut	



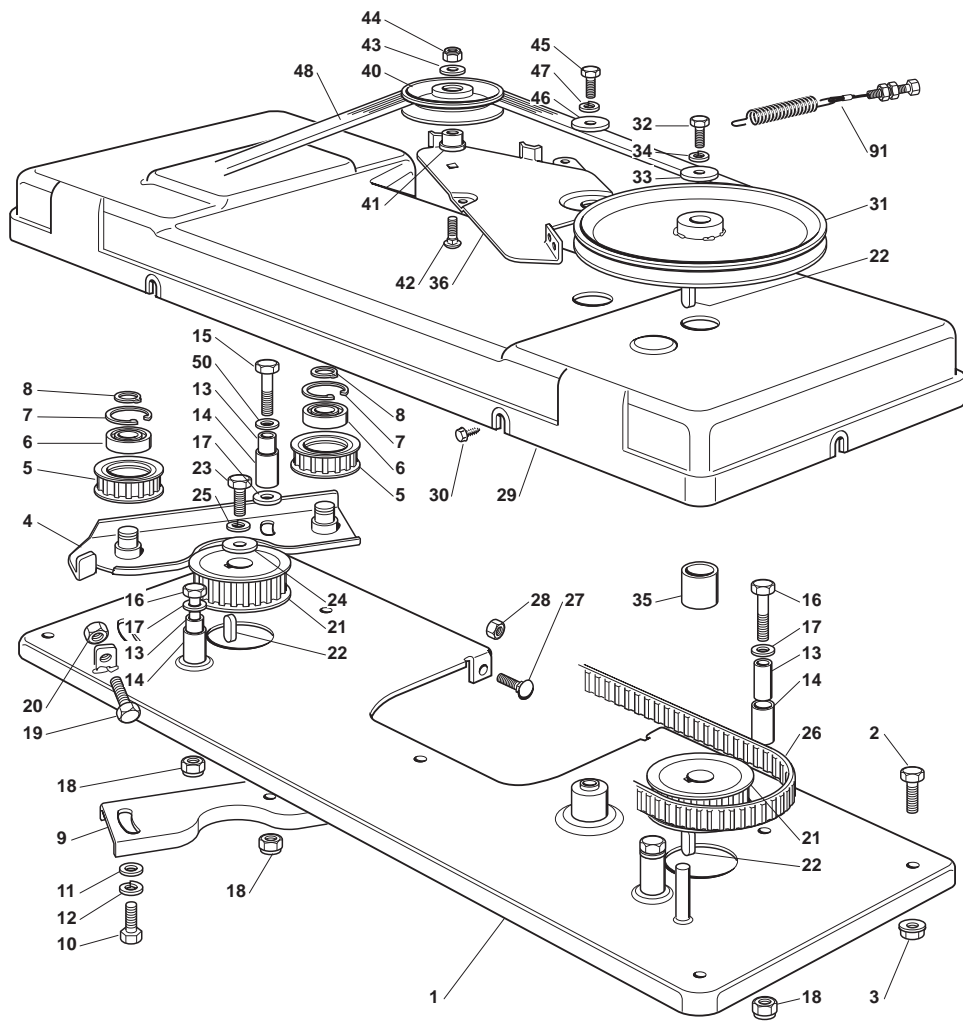
Engine - B&S 20 - 22 - 24 Hp				
POS	CODE	Q.TY	DESCRIPTION	NOTES
2	325869016/1	1	Connecting Tube	
3	118375051/1	2	Fair Led	
4	1134-5827-01	1	Oil Drain Assy	
8	112691115/0	1	Screw	
9	112540260/0	1	Grower	
10	112154210/0	1	Nut	
11	112691100/0	3	Screw	
12	112154210/0	3	Nut	
13	118738214/0	1	Exhaust Discharge Dx	
14	118738215/0	1	Exhaust Tube Left	
15	112735530/0	4	Screw	
16	112583500/0	4	Grower	
17	112791400/0	3	Screw	
18	112582100/0	3	Grower	
31	182750011/0	1	Single-Cylinder Imasaf Muffler	
32	112793102/0	2	Screw	
33	112540260/0	2	Grower	
34	112360425/0	2	Nut	
35	382598005/2	1	Muffler Protection	
36	112792611/0	2	Screw	
37	112583500/0	2	Grower	
41	182000211/1	1	Accelerator	
42	125943012/0	2	Screw	
44	325592000/0	1	Knob	
45	112726388/0	1	Screw	
46	112290800/0	1	Nut	
48	125090001/2	1	Choke Control	
51	325735111/3	1	Tank	
52	125795000/1	1	Fuel Cap	
53	112788910/0	2	Screw	
54	112500092/0	2	Rivet	
61	118736110/0	1	Starter Relay	
62	112791011/0	2	Screw	
63	112292102/0	2	Nut	
64	112360352/0	2	Nut	
65	125065017/0	1	Cable	
66	118564861/1	1	Protection	



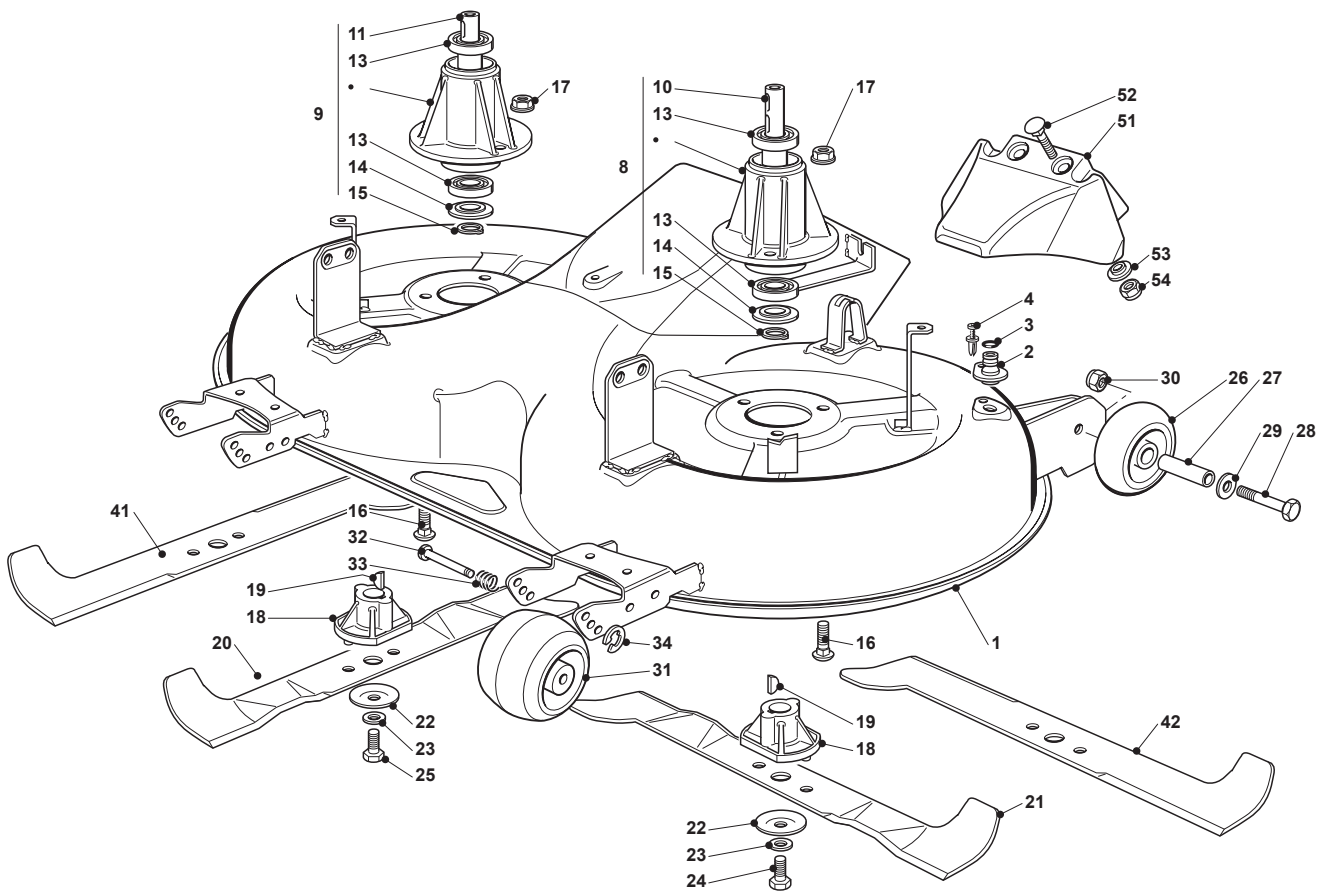
Transmission				
POS	CODE	Q.TY	DESCRIPTION	NOTES
1	125601566/1	1	Pulley	
2	112737320/0	1	Screw	
3	112543000/0	1	Washer	
4	135062001/0	1	Trapezoidal Belt	
5	382318165/1	1	Lever	
6	112692000/0	1	Screw	
7	125038002/1	2	Bush	
8	112155000/0	1	Nut	
9	125160027/0	1	Spacer	
10	125601554/0	1	Pulley	
11	112523060/0	1	Washer	
12	112155000/0	1	Nut	
13	125840010/1	1	Tie Rod	
14	112293200/0	2	Nut	
15	125430219/0	1	Spring	
17	325601599/0	1	Pulley	
18	125510036/2	1	Pin	
19	112523060/0	1	Washer	
20	112155000/0	2	Nut	
21	325601570/1	2	Pulley	
22	125160030/2	1	Left Spacer	
23	125160024/2	1	Right Spacer	
24	112691115/0	1	Screw	
25	112691400/0	1	Screw	
26	112523060/0	2	Washer	
27	112155000/0	2	Nut	
28	125109521/1	2	Cover	
29	125160021/0	1	Spacer	
30	118399062/0	1	Clutch Assy	
31	125430210/1	1	Spring	
41	118400950/1	1	Rear Axle	
42	112691800/0	4	Screw	
44	112154210/0	4	Nut	
45	382785109/0	1	Support	
46	112691200/0	1	Screw	
47	112521350/0	2	Washer	
48	112155000/0	1	Nut	
49	112735120/0	2	Screw	
50	112792611/0	1	Screw	
51	112293201/0	1	Nut	
52	325318157/0	1	Lever	
53	112793102/0	1	Screw	
54	112369500/0	1	Elastic Washer	
55	325670011/0	1	Antifriction Washer	
56	112155000/0	1	Nut	
57	125033033/0	1	Rod	
58	112604896/0	1	Crown Fastener	
59	114357423/2	1	Label	
75	112521410/0	4	Washer	
76	125160023/0	2	Spacer	
77	325670025/0	2	Washer	



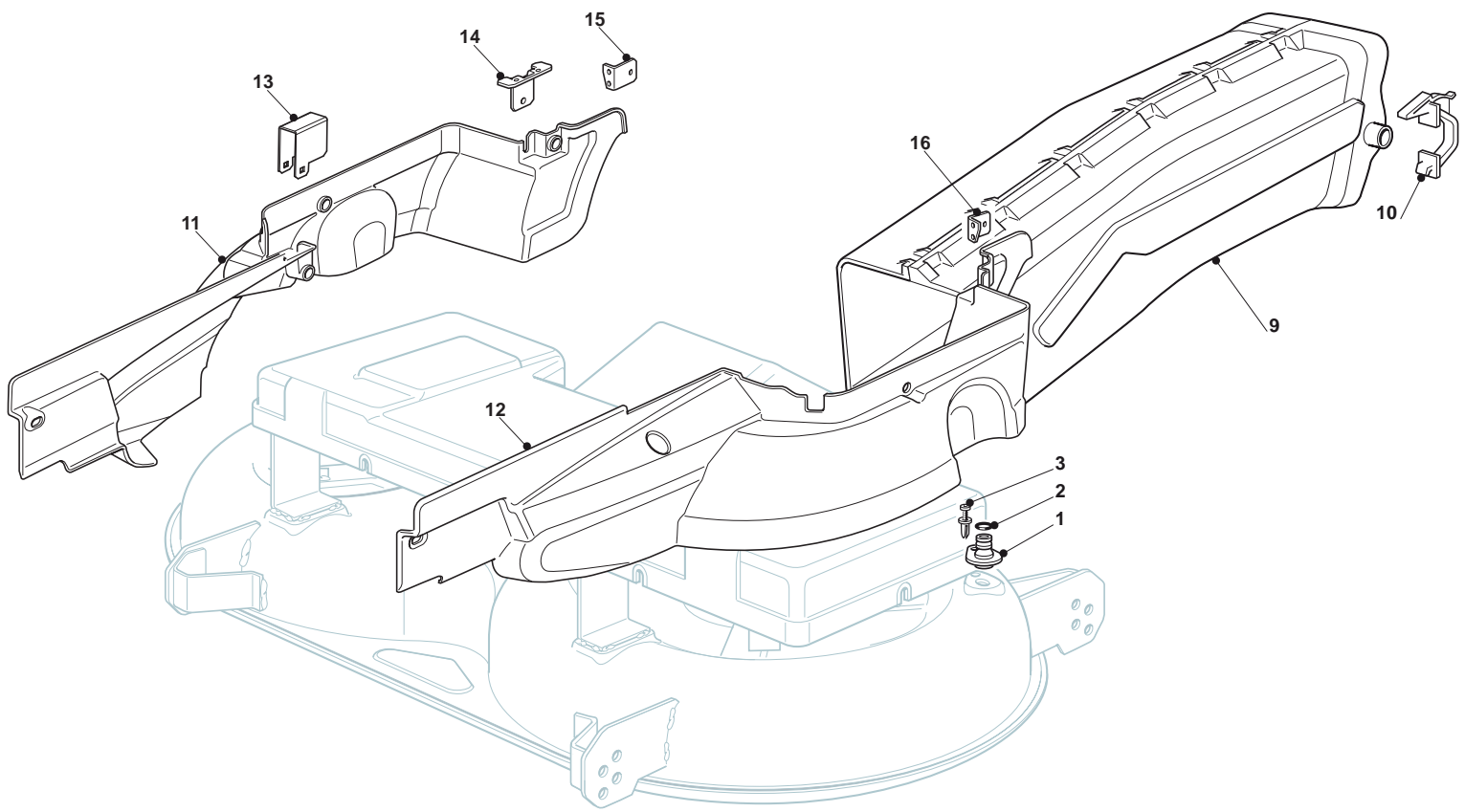
Cutting Plate Lifting				
POS	CODE	Q.TY	DESCRIPTION	NOTES
2	382318139/0	1	Deck Lifting Lever	
3	125605000/1	1	Button	
4	325470901/0	1	Dog	
5	125510011/0	1	Pin	
6	125033002/0	1	Pushrod	
7	325394536/0	1	Knob	
8	125430208/0	1	Spring	
9	112604899/0	1	Crown Fastener	
10	382000551/0	1	Axle	
11	122034523/0	2	Bush	
12	125160025/0	1	Spacer	
13	322672153/0	1	Antifriction Washer	
16	112620206/0	2	Pin	
17	325735506/1	1	Left Sector	
18	112792611/0	2	Screw	
19	112293201/0	2	Nut	
31	382318155/0	1	Front Right Fulcrum Lever	
32	382318157/0	1	Left Fulcrum	
33	125040605/0	4	Bush	
34	325318161/1	2	Lever	
35	112691700/0	2	Screw	
36	112521350/0	4	Washer	
37	112155000/0	2	Nut	
38	125510056/1	2	Pin	
39	112295200/0	4	Nut	
40	112156602/0	2	Nut	
41	325670008/1	4	Washer	
42	112156602/0	2	Nut	
43	382000477/3	2	Connecting Rod Ass.Y	
44	112155000/0	2	Nut	
45	125510055/1	2	Pin	
46	112521350/0	2	Washer	
47	112155000/0	2	Nut	
48	325318153/2	2		
49	112609255/0	2	Seeger	
50	325033071/0	1	Connecting Rod	
51	325670011/0	7	Antifriction Washer	
52	125510053/2	7	Pin	
54	112521350/0	2	Washer	
55	112436050/0	7	Plate	
56	125510056/1	2	Pin	
57	325670008/1	4	Washer	
58	112156602/0	2	Nut	
59	112794980/0	2	Screw	
60	112295200/0	2	Nut	
61	125510070/1	2	Pin	
62	112523090/0	2	Washer	
63	124487998/0	2	Cotter Pin	
64	125430218/0	1	Spring	
66	112293200/0	2	Nut	
71	125510048/1	1	Pin	
72	325318223/0	2	Gearshift	
73	382000585/0	1	Axle	
74	112815271/0	4	Screw	
75	325785355/0	2	Support	
76	325785354/0	2	Support	
77	325034003/0	4	Brass	
78	112523040/0	4	Washer	
79	112154510/0	4	Nut	



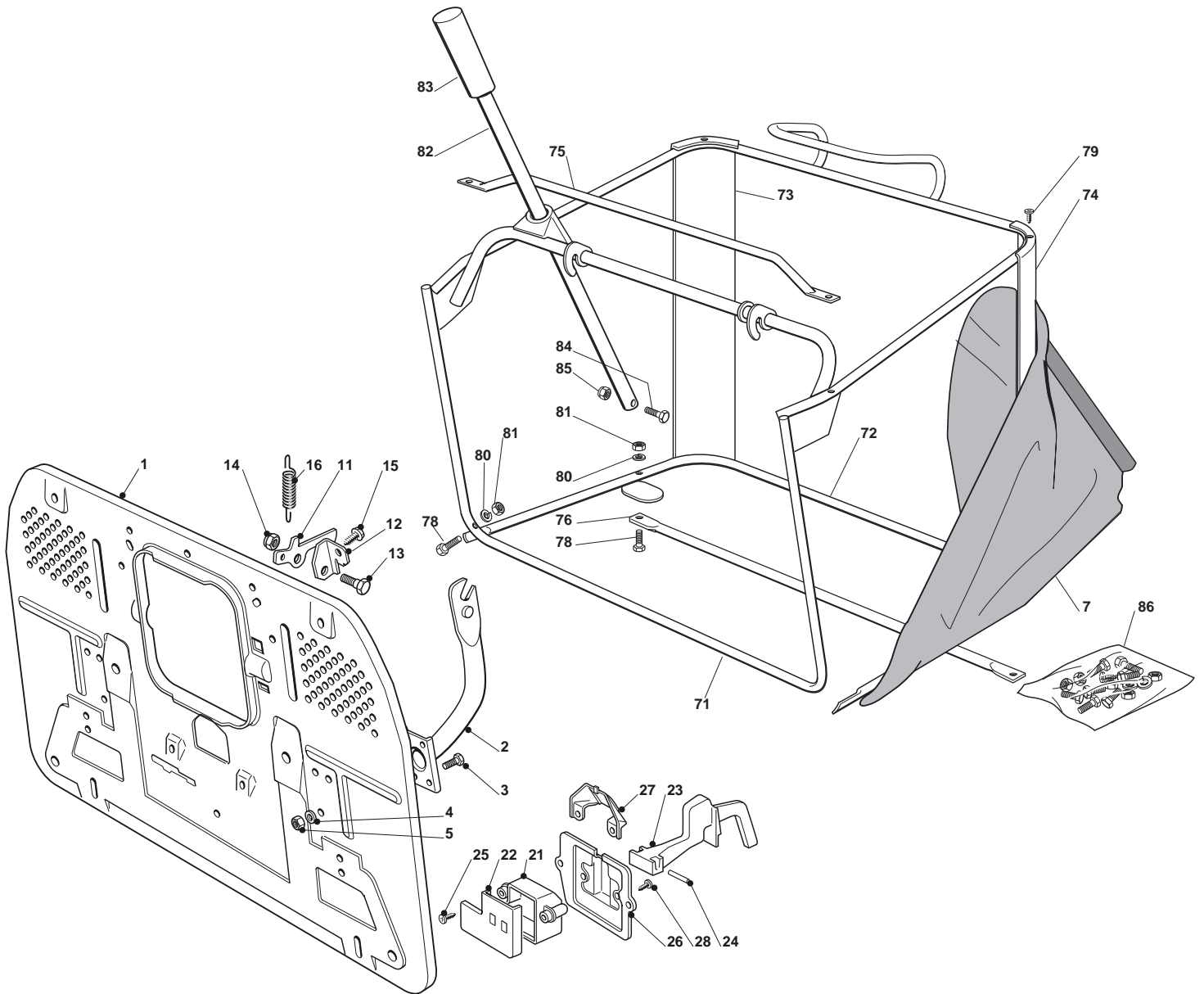
Baldes Engagement				
POS	CODE	Q.TY	DESCRIPTION	NOTES
1	382547029/2	1		
2	112792611/0	4	Screw	
3	112293201/0	4	Nut	
4	382785084/1	1	Support	
5	125601559/1	2	Toothed Pulley	
6	119216048/0	2	Bearing	
7	112610800/0	2	Snap Ring	
8	112609200/0	2	Seeger	
9	325650037/0	1	Pulley Stiffening	
10	112793102/0	2	Screw	
11	112521350/0	2	Washer	
12	112583500/0	2	Grower	
13	125160003/0	4	Spacer	
14	125038000/0	4	Bush	
15	112691700/0	1	Screw	
16	112691200/0	3	Screw	
17	112521350/0	4	Washer	
18	112155000/0	4	Nut	
19	112793900/0	1	Screw	
20	112293200/0	1	Nut	
21	125601560/0	2	Pulley	
22	112139480/0	3	Feather	
23	112793102/0	1	Screw	
24	125670007/0	1	Washer	
25	112583500/0	1	Grower	
26	135065600/0	1	Belt	
27	112815200/0	3	Screw	
28	112292102/0	3	Nut	
29	125060100/3	1	Protection	
30	112735110/0	6	Screw	
31	125601550/0	1	Pulley	
32	112793102/0	1	Screw	
33	125670007/0	1	Washer	
34	112583500/0	1	Grower	
35	125160002/0	1	Spacer	
36	325318115/1	1	Lever	
40	325601599/0	1	Pulley	
41	125160079/0	1	Spacer	
42	112818900/0	1	Screw	
43	112523060/0	1	Washer	
44	112155000/0	1	Nut	
45	112793102/0	1	Screw	
46	112523070/0	1	Washer	
47	112583500/0	1	Grower	
48	135062811/0	1	Belt	
50	112523060/0	1	Washer	
91	182004608/0	1	Engagging Cable	



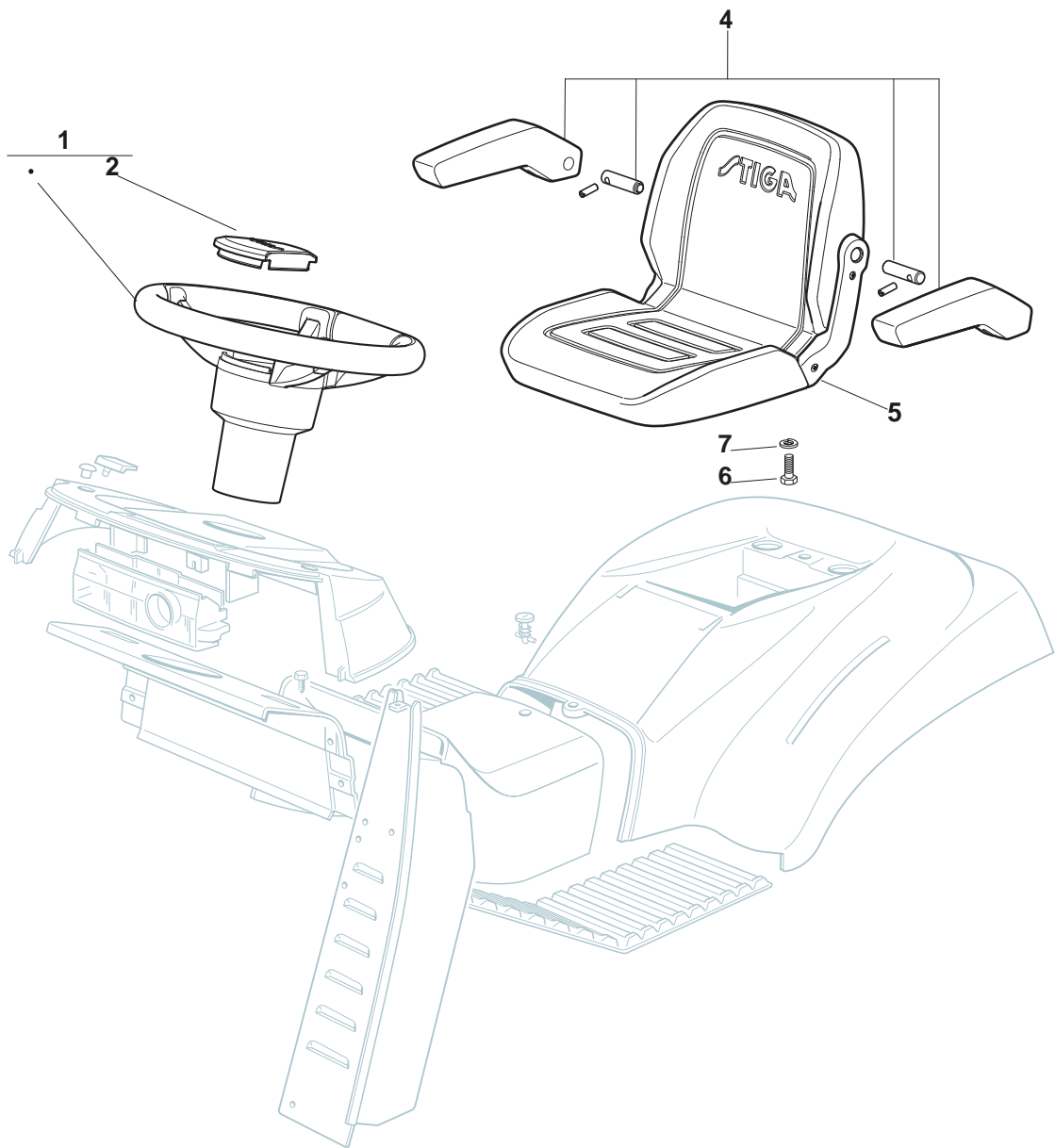
Cutting Plate				
POS	CODE	Q.TY	DESCRIPTION	NOTES
1	382564131/0	1	Cutting Plate Black	
2	125033060/0	2	Washing Cutting Deck Connection	
3	119035000/0	2	Or Ring	
4	112500030/0	2	Rivet	
8	382207200/1	1	Flange Assy	
9	382207201/2	1	Support Shaft Tc	
10	125020800/1	1	Main Blade Shaft	
11	125020801/2	1	Secondary Blade Shaft	
13	119216032/0	4	Bearing	
14	325160501/0	2	Dust Cover Disc	
15	112609260/0	2	Seeger	
16	112818700/0	6	Screw	
17	112154210/0	6	Nut	
18	125463200/0	2	Blade Hub	
19	112139100/0	2	Key	
20	182004348/0	1	Right Mulching Blade	
21	182004347/0	1	Left Blade Mulching, Winged	
22	122160400/0	2	Elastic Washer	
23	112523080/0	2	Washer	
24	112735694/0	1	Screw	
25	112735695/1	1	Screw	
26	182700003/0	2	Anti Scalp Wheel Ø 80	
27	125510072/0	2	Pin	
28	112692050/0	2	Screw	
29	112523060/0	2	Washer	
30	112293201/0	2	Nut	
31	182700004/0	2	Anti Scalp Wheel Ø 100	
32	125510121/0	2	Pin	
33	122450115/0	2	Spring	
34	112000930/0	2	Benzing Ring	
41	182004341/1	1	Right Blade, Winged	
42	182004340/1	1	Left Blade, Winged	
51	325140100/0	1	Deflector	
52	112815210/0	2	Screw	
53	125038002/1	2	Bush	
54	112154510/0	2	Nut	



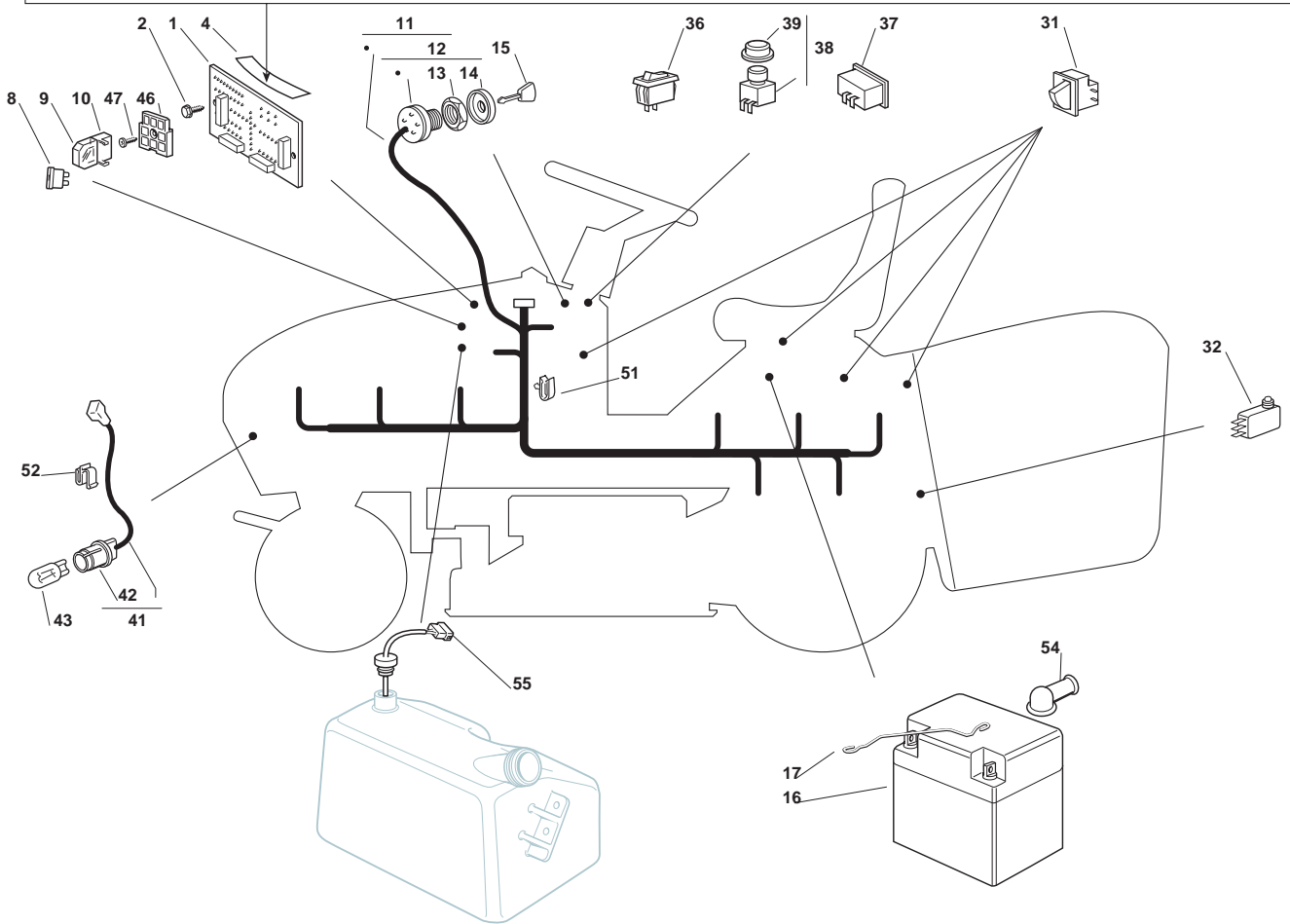
Guards And Conveyor				
POS	CODE	Q.TY	DESCRIPTION	NOTES
1	125033060/0	2	Washing Cutting Deck Connection	
2	119035000/0	2	Or Ring	
3	112500030/0	2	Rivet	
9	382108016/1	1	Conveyor	
10	325774373/0	2	Clamp	
11	325060144/0	1	Protection	
12	325060145/0	1	Protection	
13	325774267/0	2	Clamp	
14	325774423/0	2	Clamp	
15	325774425/0	1	Clamp	
16	325774421/0	1	Clamp	



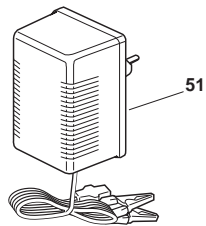
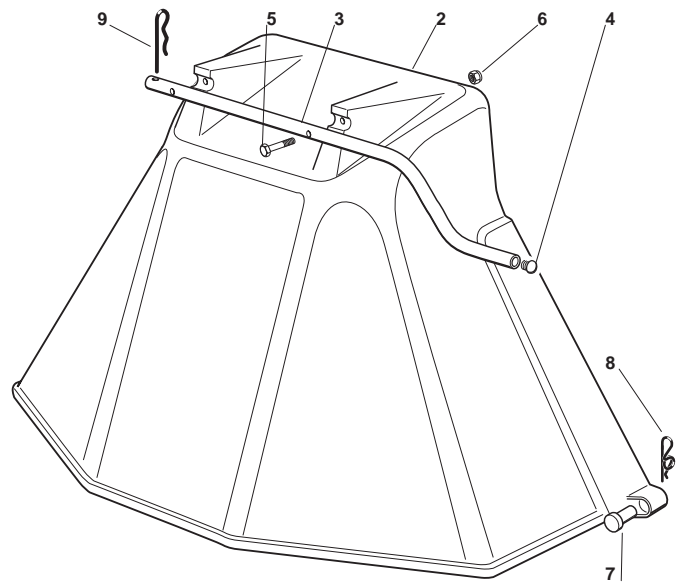
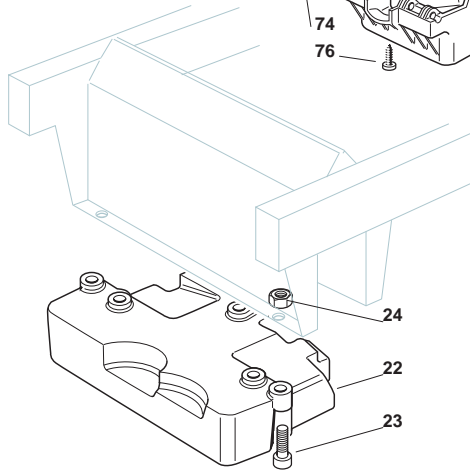
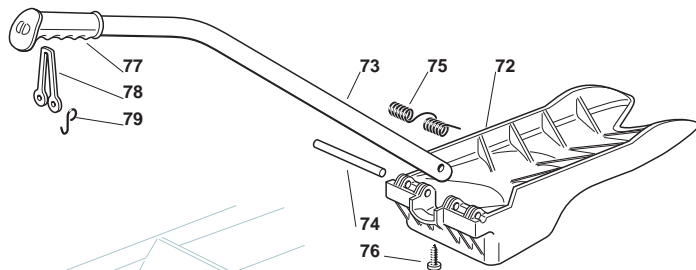
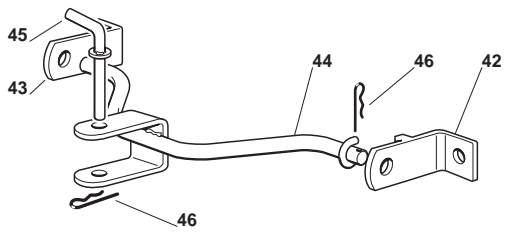
Grasscatcher				
POS	CODE	Q.TY	DESCRIPTION	NOTES
1	382547051/0	1	Plate	
2	182774225/1	2	Support	
3	112793102/0	6	Screw	
4	112523060/0	6	Washer	
5	112293201/0	6	Nut	
7	182106000/2	1	Grasscatcher	
11	325774315/1	1	Bracket	
12	325755031/1	1	Bracket	
13	125510080/1	1	Pin	
14	112292102/0	1	Nut	
15	112735122/0	1	Screw	
16	125430210/1	1	Spring	
21	125600041/0	1	Micro Protection	
22	125600042/0	1	Grasscatcher Micro Prot Cover	
23	125318124/0	1	Full Grassc. Microswtich Cover	
24	112400030/0	1	Pin	
25	112728510/0	1	Screw	
26	325785272/0	1	Micro Protection	
27	125600048/0	1	Micro Protection Cover	
28	112728450/0	2	Screw	
71	382800051/0	1	Upper Frame	
72	382800002/2	1	Lower Grasscatcher Frame	
73	325032001/1	1	Right Angular Support	
74	325032002/1	1	Left Angular Support	
75	382394001/2	1	Front Handle	
76	382650038/0	1	Lower Stiffening	
78	112792099/0	4	Screw	
79	112729601/1	4	Screw	
80	112582101/0	4	Grower	
81	112292100/0	4	Nut	
82	125869029/1	1	Grasscatcher Lifting Tube	
83	125394508/0	1	Knob	
84	112792099/0	1	Screw	
85	112154510/0	1	Nut	
86	382180027/1	1	Screws Outfit	



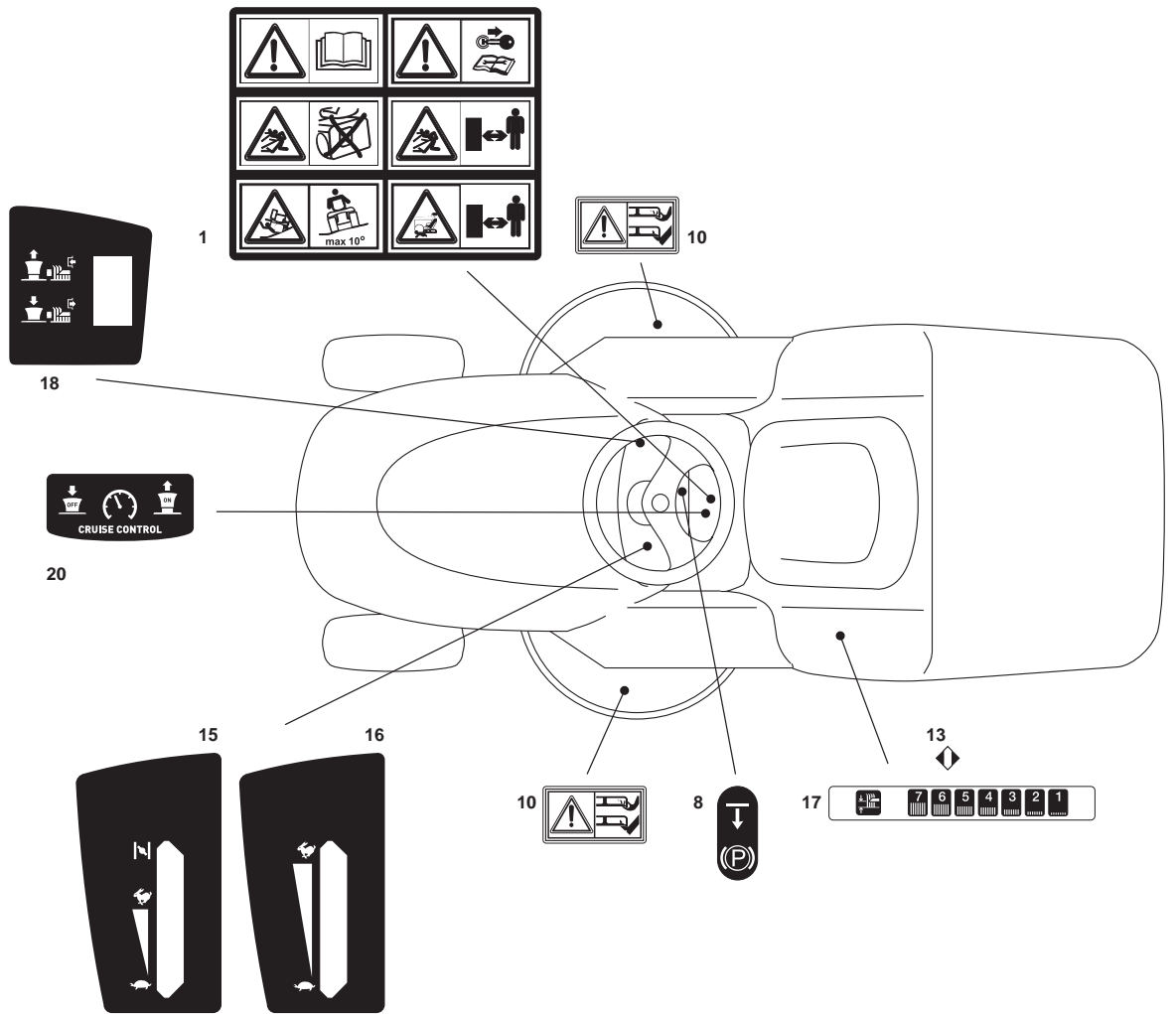
Seat & Steering Wheel				
POS	CODE	Q.TY	DESCRIPTION	NOTES
1	325961222/1	1	Steering Wheel	
2	325580508/0	1	Steering Plate	
4	382180133/0	1	Arm Kit	
5	382735810/0	1	Seat Assy	
6	112793102/0	4	Screw	
7	112583500/0	4	Grower	



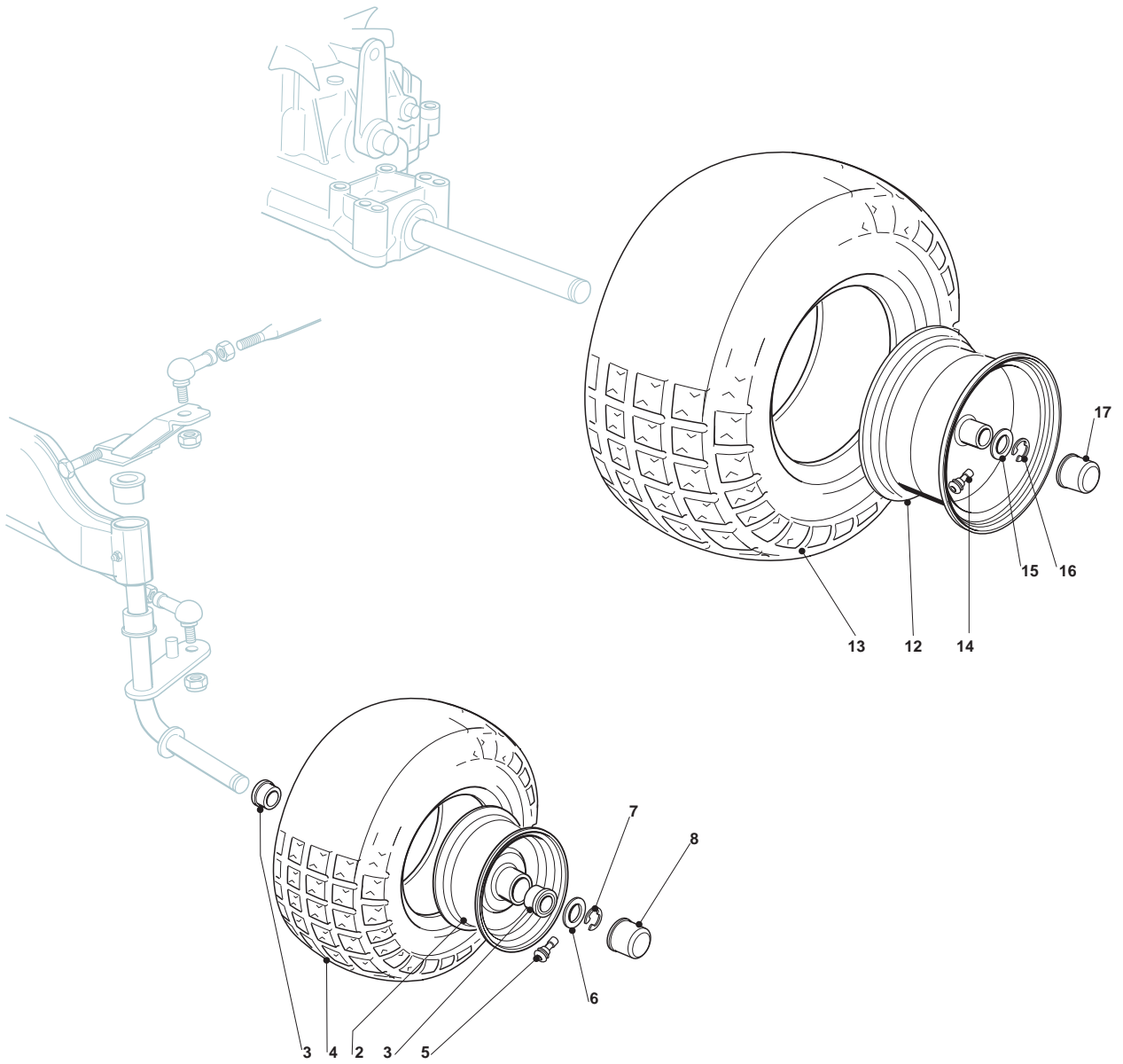
Electric Parts				
POS	CODE	Q.TY	DESCRIPTION	NOTES
1	125722413/1	1	Electronic Card	
2	112735105/0	3	Screw	
4	125420005/0	1	Check Control (B)	
8	133340036/0	1	Fuse 25 A	
8	133340040/0	1	Lamellar Fusible 10A	
9	133215000/0	2	Cover	
10	133500007/0	2	Fuse Carrier	
11	182040193/0	1	Cables Ass.Y	
12	118450065/1	1	Starting Switch	
13	118400861/0	1	Screwed Ring	
14	118565351/0	1	Screwed Ring Protection	
15	118210016/1	1	Starting Key	
16	118120002/1	1	Battery	
17	125430230/0	1	Spring	
31	119410615/0	3	Micro Switch	
32	119410605/1	1	Micro Switch	
36	118450060/1	1	Switch	
37	9400-0384-01	1	Hour Counter	
38	118450067/0	1	Switch	
39	118203852/0	1	Clutch Switch Cap Tc	
41	182040073/0	1	Lamp Holder	
42	133500030/0	2	Lamp Holder	
43	118459100/0	2	Lamp For Lights	
46	133500010/1	1	Plate	
47	112735170/0	1	Screw	
51	133320506/0	5	Fairlead	
52	133320504/0	1	Fairlead	
54	118564864/1	1	Protection	
55	125290000/0	1	Fuel Level Indicator	



Optionals On Request				
POS	CODE	Q.TY	DESCRIPTION	NOTES
2	382400003/1	1	Ejection Guard	
3	325869043/0	1	Rear Support	
4	118566112/0	2	Push Road	
5	112689515/0	2	Screw	
6	112154510/0	2	Nut	
7	125510022/0	2	Pin	
8	124487998/0	2	Cotter Pin	
9	124487999/0	1	Spring Pin	
22	125519997/1	1	Front Weight Tc	
23	112760520/0	3	Screw	
24	112155000/0	3	Nut	
42	382735502/0	1	Bracket	
43	325774213/0	1	Bracket	
44	382033105/1	1	Rod	
45	125510021/1	1	Hitch Pin	
46	124487999/0	2	Spring Pin	
51	182180050/0	1	Battery Charger 0,6A	EU plug
51	182180052/0	1	Battery Charger 0,6A (Uk)	UK plug
72	325140097/0	1	Deflector	
73	325394005/0	1	Handle	
74	125510077/0	1	Pin	
75	125430245/0	1	Spring	
76	112735405/0	1	Screw	
77	325280000/1	1	Handgrip	
78	125840011/1	1	Tie Rod	
79	125253004/0	2	Mulch.Kit Fixing Hook	



Label				
POS	CODE	Q.TY	DESCRIPTION	NOTES
1	114357428/1	1	Label	
8	114357526/1	1	Label	
10	114356699/1	2	Label	
13	114357913/0	1	Label	
15	114360717/0	1	Label	
16	114360716/0	1	Label	
17	114360719/0	1	Label	
18	114360715/2	1	Label	
20	114365612/0	1	Label	



Wheels				
POS	CODE	Q.TY	DESCRIPTION	NOTES
2	182000590/1	2	Rimm	
3	125122200/2	4	Bearing	
4	125590020/0	2	Tyre	
5	125950000/0	2	Valve	
6	125670005/1	2	Washer	
7	112001000/0	2	Benzing Ring	
8	122110230/0	2	Hub Cover	
12	182000592/0	2	Rear Wheel Rimm	
13	125590022/0	2	Tyre	
14	125950000/0	2	Valve	
15	125670005/1	2	Washer	
16	112001010/0	2	Benzing Ring	
17	122110230/0	2	Hub Cover	