



www.stiga.com

Illustrated Parts List

for model:

ESTATE 4092 H

- Use GLOBAL GARDEN PRODUCT genuine spare parts specified in the parts list for repair and/or replacement.
- Then contents described in the parts list may change due to improvement.
- The drawings of the spare part are only indicative and might not represent the part in question exactly.
- The indications "right" - "left" - "front" - "rear" refer to the position of the operator when using the machine.
- When placing orders of parts for repair and/or replacement, make sure that the illustrated parts list is the one applying to the machine's year of manufacture, as shown on the identification plate attached to the machine.

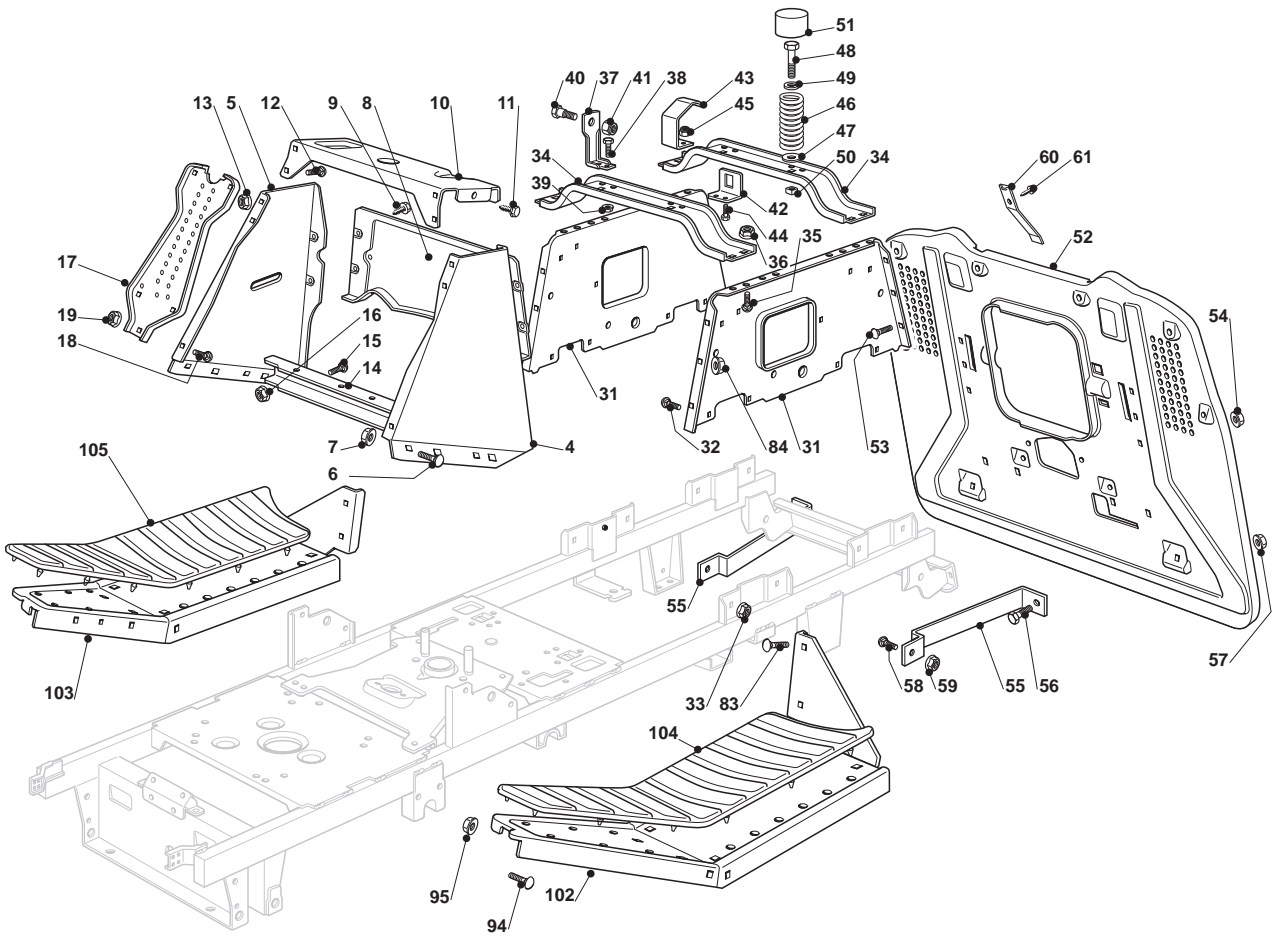
© Copyright 2014 Global Garden Products

All content is subject to copyright by Global Garden Products and may not be reproduced in whole or in part by any means, electronic or otherwise, without prior written approval.

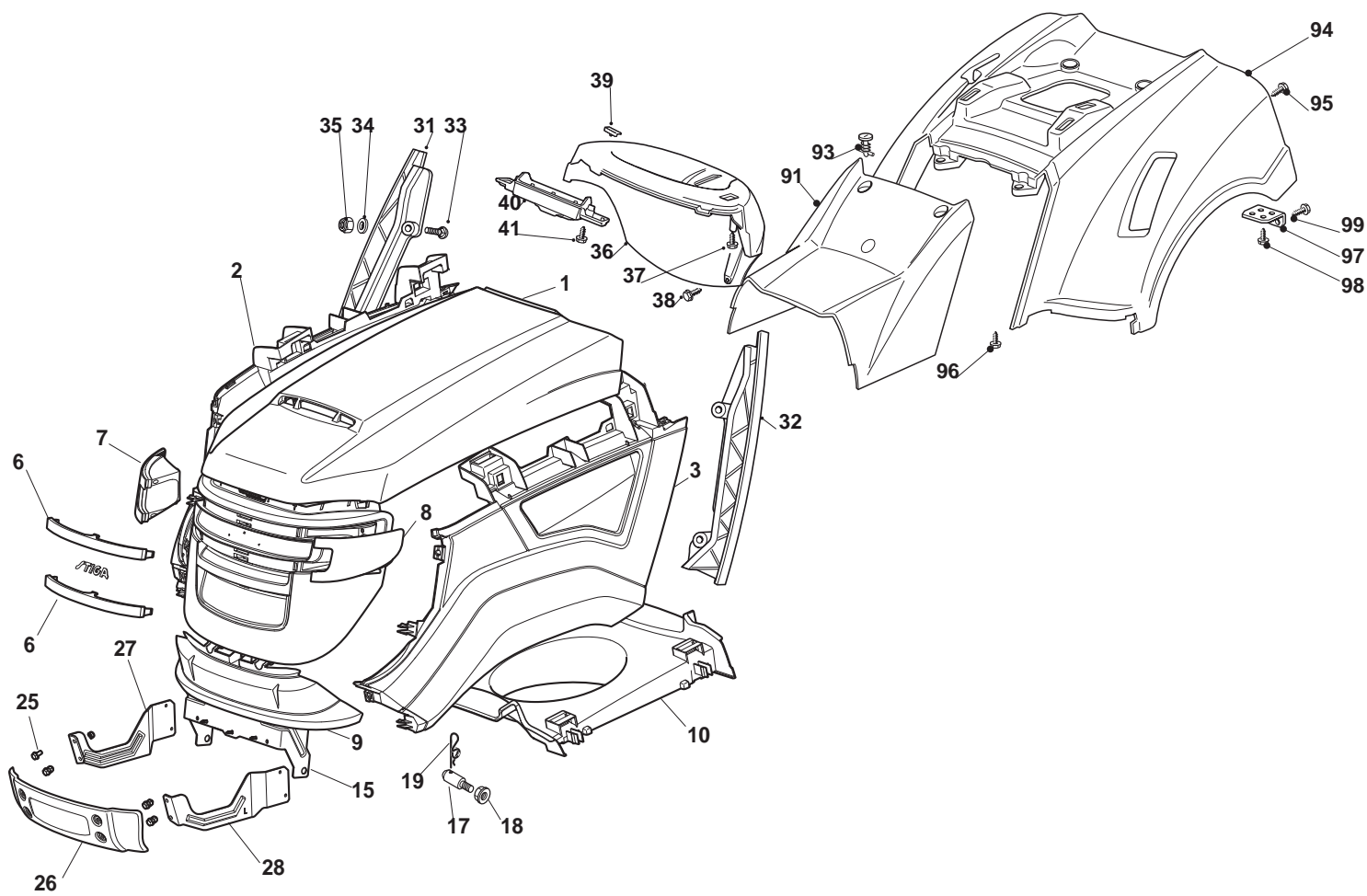
THIS INFORMATION IS NOT INTENDED FOR SALE OR RESALE, AND THIS NOTICE MUST REMAIN ON ALL COPIES.

www.ggp-group.com

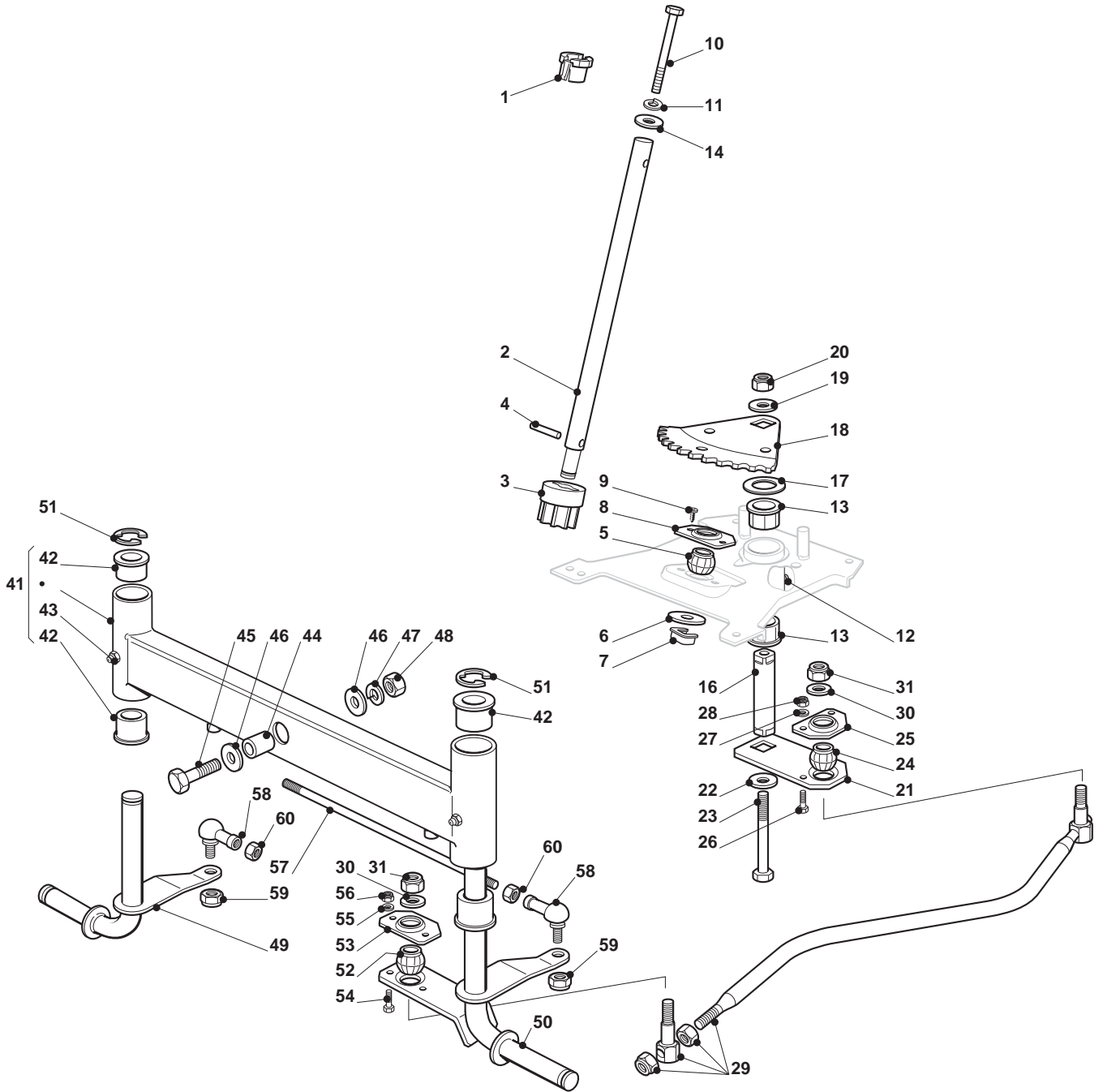




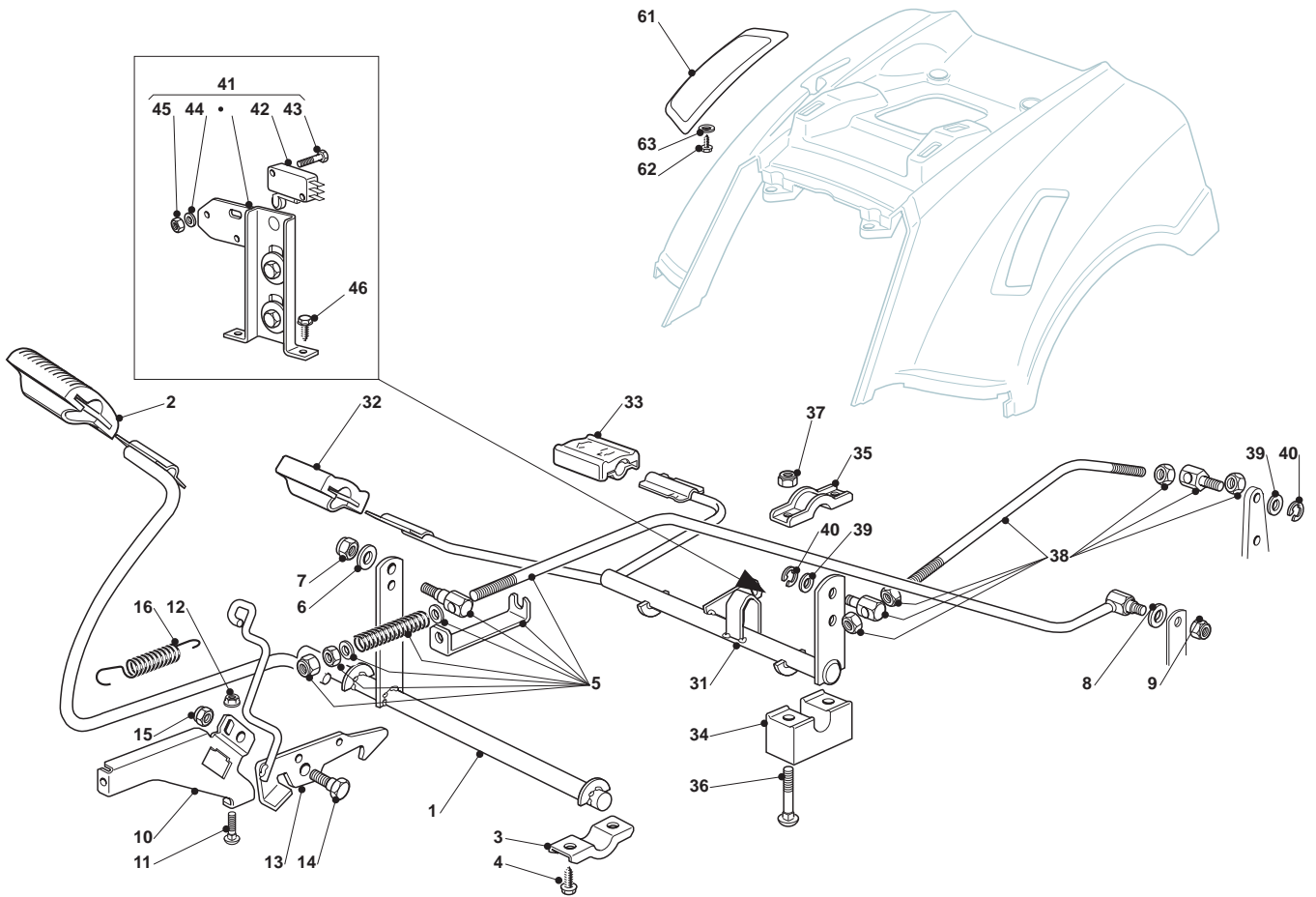
| Frame | | | | |
|-------|-------------|------|---------------------------|-------|
| POS | CODE | Q.TY | DESCRIPTION | NOTES |
| 4 | 325785243/1 | 1 | Left Dashboard Support | |
| 5 | 325785245/0 | 1 | Right Dashboard Support | |
| 6 | 112818690/0 | 4 | Screw | |
| 7 | 112293201/0 | 4 | Nut | |
| 8 | 382785151/2 | 1 | Rear Dashboard Support | |
| 9 | 112735110/0 | 4 | Screw | |
| 10 | 325785255/0 | 1 | Central Dashboard Support | |
| 11 | 112735110/0 | 2 | Screw | |
| 12 | 112815200/0 | 4 | Screw | |
| 13 | 112292102/0 | 4 | Nut | |
| 14 | 325785241/0 | 1 | Support | |
| 15 | 112815200/0 | 2 | Screw | |
| 16 | 112292102/0 | 2 | Nut | |
| 17 | 382785153/1 | 2 | Front Dashboard Support | |
| 18 | 112815200/0 | 2 | Screw | |
| 19 | 112292102/0 | 2 | Nut | |
| 31 | 325785249/1 | 2 | Seat Support | |
| 32 | 112815200/0 | 8 | Screw | |
| 33 | 112292102/0 | 8 | Nut | |
| 34 | 325785257/1 | 2 | Seat Support | |
| 35 | 112818690/0 | 8 | Screw | |
| 36 | 112293201/0 | 8 | Nut | |
| 37 | 325755039/0 | 2 | Bracket | |
| 38 | 112792611/0 | 4 | Screw | |
| 39 | 112293201/0 | 4 | Nut | |
| 40 | 122524970/2 | 2 | Fulcrum Pin | |
| 41 | 112155010/0 | 2 | Self-Locking Nut | |
| 42 | 325755043/0 | 1 | Bracket | |
| 43 | 325430253/0 | 1 | Spring | |
| 44 | 112789000/0 | 2 | Screw | |
| 45 | 112154330/0 | 2 | Low Self-Locking Nut | |
| 46 | 125430257/1 | 2 | Spring | |
| 47 | 112523070/0 | 2 | Washer | |
| 48 | 112760515/0 | 2 | Screw | |
| 49 | 122671653/0 | 2 | Washer | |
| 50 | 112360425/0 | 2 | Nut | |
| 51 | 325122000/2 | 2 | Spring | |
| 52 | 382547041/1 | 1 | Plate | |
| 53 | 112792611/0 | 6 | Screw | |
| 54 | 112293201/0 | 6 | Nut | |
| 55 | 325650119/0 | 2 | Plate Stiffening | |
| 56 | 112792611/0 | 2 | Screw | |
| 57 | 112293201/0 | 2 | Nut | |
| 58 | 112792611/0 | 2 | Screw | |
| 59 | 112293201/0 | 2 | Nut | |
| 60 | 125430276/0 | 1 | Spring | |
| 61 | 112735110/0 | 1 | Screw | |
| 83 | 112792611/0 | 4 | Screw | |
| 84 | 112293201/0 | 4 | Nut | |
| 94 | 112815200/0 | 4 | Screw | |
| 95 | 112292102/0 | 4 | Nut | |
| 102 | 382510083/0 | 1 | Left Footboard Support | |
| 103 | 382510081/0 | 1 | Right Footboard Support | |
| 104 | 325110327/0 | 1 | Left Footboard Cover | |
| 105 | 325110326/0 | 1 | Right Footboard Cover | |



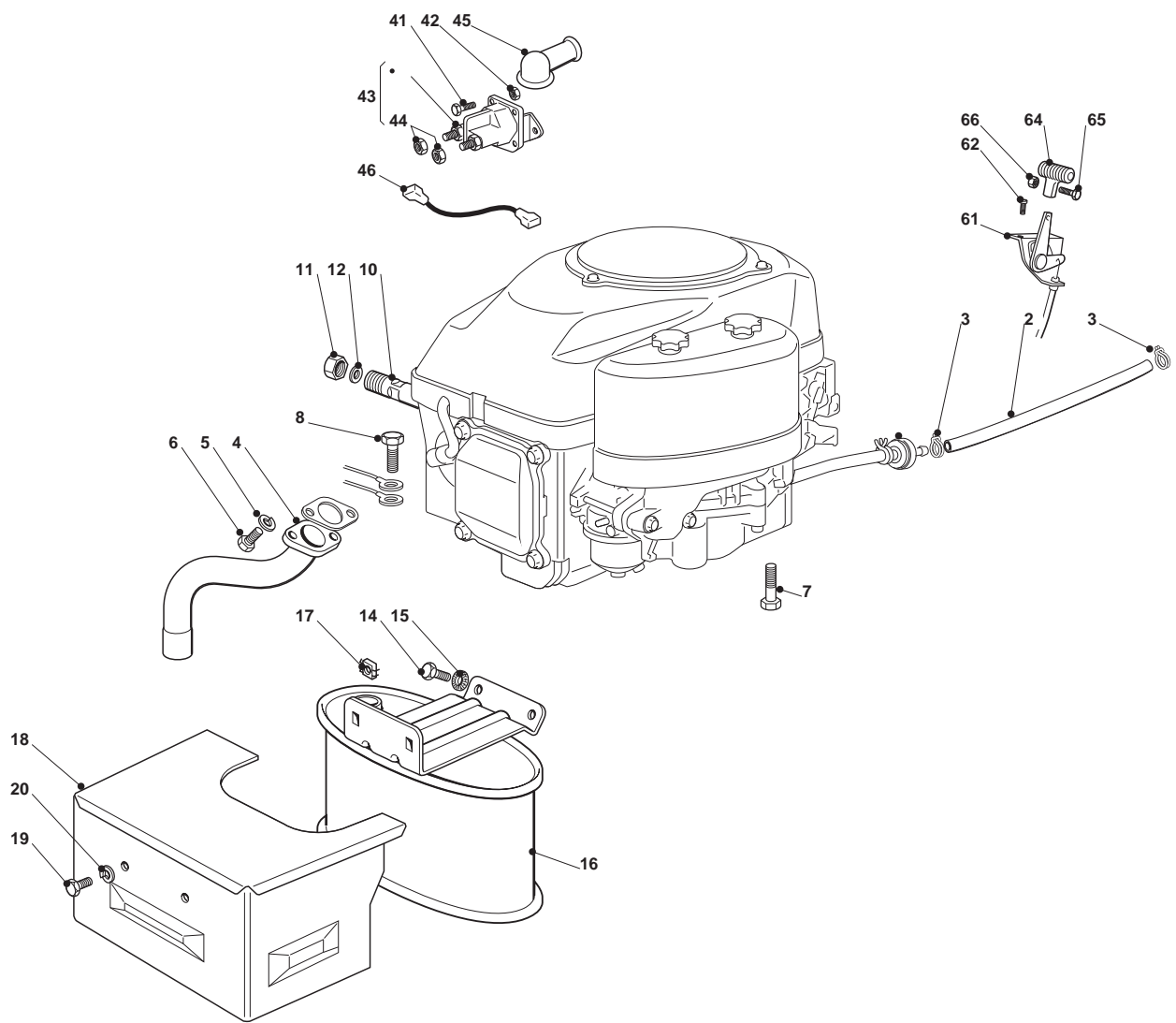
| Body | | | | |
|------|-------------|------|---------------------------|-------|
| POS | CODE | Q.TY | DESCRIPTION | NOTES |
| 1 | 325076866/0 | 1 | Upper Engine Hood, Yellow | |
| 2 | 382394645/0 | 1 | Hood, Right | |
| 3 | 382394646/0 | 1 | Hood, Left | |
| 6 | 325076953/0 | 1 | Lower Grey Hood, Front | |
| 7 | 382185500/0 | 1 | Right Lamp Light | |
| 8 | 382185501/0 | 1 | Left Lamp Light | |
| 9 | 325076959/0 | 1 | Lower Grey Hood, Front | |
| 10 | 325108031/0 | 1 | Conveyor | |
| 11 | 112735403/0 | 6 | Screw | |
| 15 | 325774301/2 | 1 | Engine Hood Support | |
| 16 | 112735403/0 | 5 | Screw | |
| 17 | 125510079/1 | 2 | Pin | |
| 18 | 112293201/0 | 2 | Nut | |
| 19 | 124487998/0 | 2 | Cotter Pin | |
| 24 | 325547159/1 | 2 | Plate | |
| 25 | 112800815/0 | 4 | Screw | |
| 26 | 382263503/0 | 1 | Bumper | |
| 27 | 382785259/0 | 1 | Right Support | |
| 28 | 382785261/0 | 1 | Left Support | |
| 31 | 325599012/0 | 1 | Right Dashboard Support | |
| 32 | 325599013/0 | 1 | Left Dashboard Support | |
| 33 | 112815221/0 | 4 | Screw | |
| 34 | 112521330/0 | 4 | Washer | |
| 35 | 112154510/0 | 4 | Nut | |
| 36 | 325120188/2 | 1 | Dashboard | |
| 37 | 112728440/0 | 2 | Screw | |
| 38 | 112735402/0 | 2 | Screw | |
| 39 | 125260000/0 | 2 | Grommet | |
| 40 | 325600074/0 | 1 | Card Protection | |
| 41 | 112735402/0 | 2 | Screw | |
| 91 | 325110365/0 | 1 | Cover, Yellow | |
| 93 | 125580020/2 | 2 | Pin | |
| 94 | 325110323/0 | 1 | Yellow Wheels Cover | |
| 95 | 112735402/0 | 4 | Screw | |
| 96 | 112735402/0 | 2 | Screw | |
| 97 | 325755041/0 | 2 | Bracket | |
| 98 | 112728686/0 | 4 | Screw | |
| 99 | 112735110/0 | 2 | Screw | |



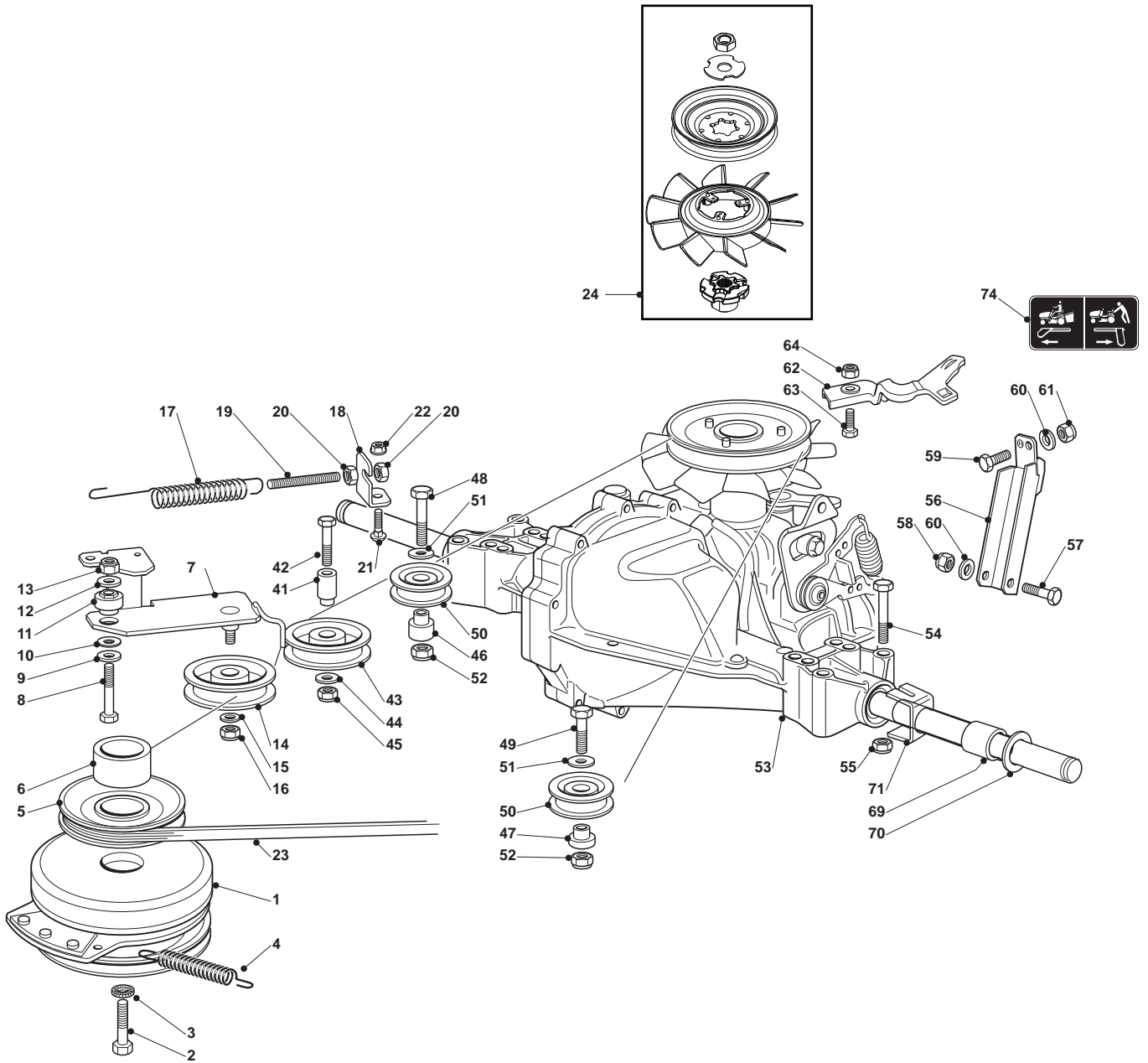
| Steering | | | | |
|----------|-------------|------|----------------------------------|-------|
| POS | CODE | Q.TY | DESCRIPTION | NOTES |
| 1 | 325038004/0 | 1 | Bush | |
| 2 | 125520014/0 | 1 | Steering Column | |
| 3 | 127570050/0 | 1 | Pinion | |
| 4 | 112622650/0 | 1 | Pin | |
| 5 | 325743000/0 | 1 | Joint Tc/Junior | |
| 6 | 112521370/0 | 1 | Washer | |
| 7 | 112436030/0 | 1 | Plate | |
| 8 | 325785213/1 | 1 | Support | |
| 9 | 112729601/1 | 2 | Screw | |
| 10 | 112691800/0 | 1 | Screw | |
| 11 | 112583500/0 | 1 | Grower | |
| 12 | 112379511/0 | 1 | Grease Dispenser | |
| 13 | 325040624/0 | 2 | Bushing | |
| 14 | 112523060/0 | 1 | Washer | |
| 16 | 125510092/0 | 1 | Pin | |
| 17 | 125670019/0 | 1 | Washer | |
| 18 | 325735513/0 | 1 | Steering Shaft | |
| 19 | 112523080/0 | 1 | Washer | |
| 20 | 112155020/0 | 1 | Nut | |
| 21 | 325318205/0 | 1 | Lever | |
| 22 | 112523080/0 | 1 | Washer | |
| 23 | 112794985/0 | 1 | Screw | |
| 24 | 325743000/0 | 1 | Joint Tc/Junior | |
| 25 | 325785213/1 | 1 | Support | |
| 26 | 112791213/1 | 2 | Screw | |
| 27 | 112521330/0 | 2 | Washer | |
| 28 | 112154510/0 | 2 | Nut | |
| 29 | 382000539/1 | 1 | Steering Rod | |
| 30 | 112523070/0 | 2 | Washer | |
| 31 | 112155010/0 | 2 | Nut | |
| 41 | 382034024/1 | 1 | Equalizer W/ Bush And Lubricator | |
| 42 | 125034002/1 | 4 | Bush | |
| 43 | 112379511/0 | 2 | Grease Dispenser | |
| 44 | 125160016/0 | 1 | Equalizer Spacer | |
| 45 | 112692695/0 | 1 | Screw | |
| 46 | 112523100/0 | 2 | Washer | |
| 47 | 112587100/0 | 1 | Grower | |
| 48 | 112295300/0 | 1 | Nut | |
| 49 | 382230363/0 | 1 | Right Stub Axle | |
| 50 | 382230365/0 | 1 | Left Stub Axle | |
| 51 | 112001000/0 | 2 | Benzing Ring | |
| 52 | 325743000/0 | 1 | Joint Tc/Junior | |
| 53 | 325785213/1 | 1 | Support | |
| 54 | 112791213/1 | 2 | Screw | |
| 55 | 112521330/0 | 2 | Washer | |
| 56 | 112154510/0 | 2 | Nut | |
| 57 | 125840023/0 | 1 | Tie Rod | |
| 58 | 122746609/0 | 2 | Joint | |
| 59 | 112156602/0 | 2 | Nut | |
| 60 | 112295201/0 | 2 | Nut | |



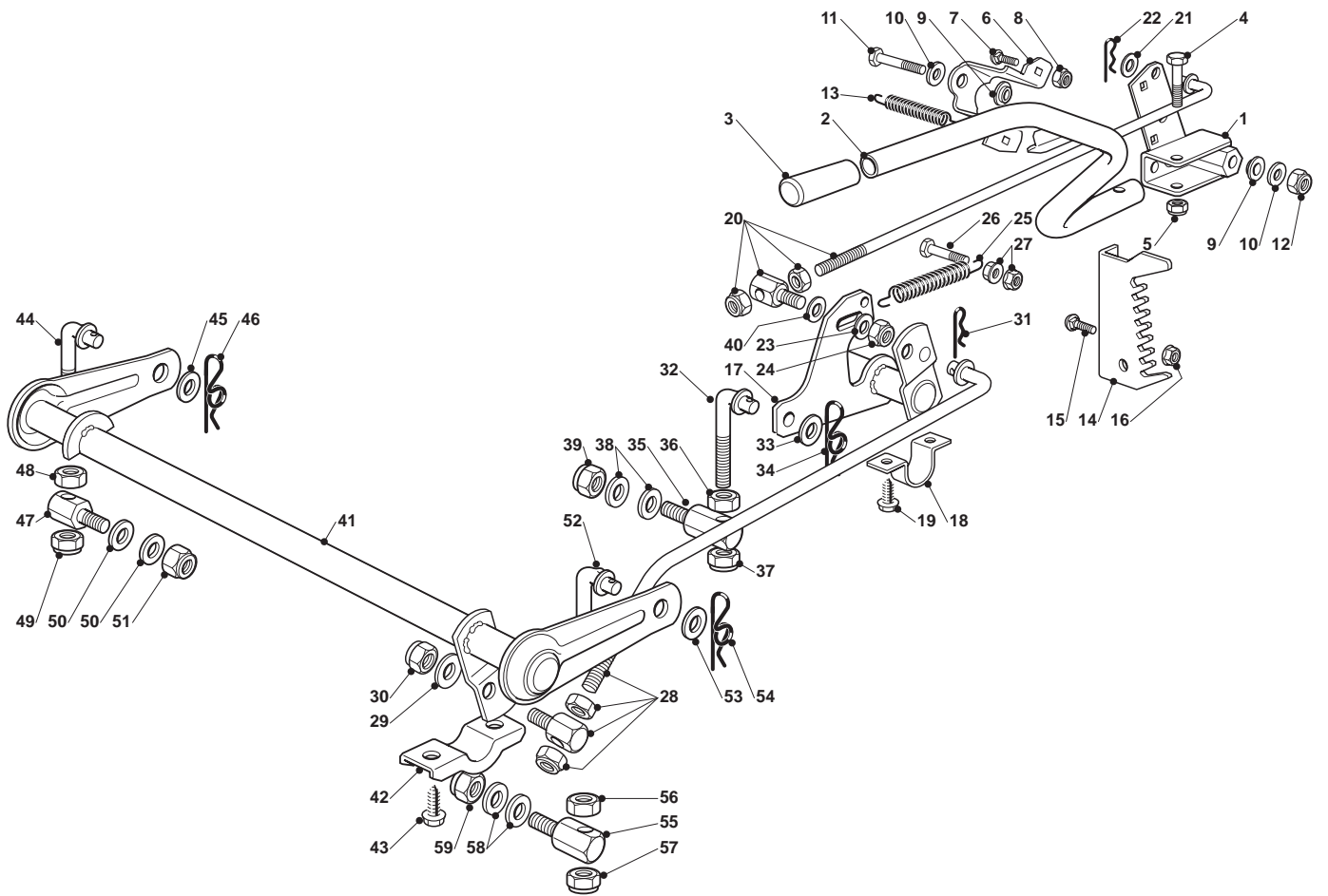
| Brake And Gearbox Controls Hydro-Gear | | | | |
|---------------------------------------|-------------|------|-------------------|-------|
| POS | CODE | Q.TY | DESCRIPTION | NOTES |
| 1 | 382500029/1 | 1 | Pedal | |
| 2 | 325110416/0 | 1 | Clamp Cover | |
| 3 | 327546015/2 | 2 | Plate | |
| 4 | 112729601/1 | 4 | Screw | |
| 5 | 382000627/0 | 1 | Rod (Hydro-Gear) | |
| 6 | 112521350/0 | 1 | Washer | |
| 7 | 112155000/0 | 1 | Nut | |
| 8 | 112521350/0 | 1 | Washer | |
| 9 | 112155000/0 | 1 | Nut | |
| 10 | 325785261/0 | 1 | Support | |
| 11 | 112815200/0 | 2 | Screw | |
| 12 | 112292102/0 | 2 | Nut | |
| 13 | 382000531/0 | 1 | Rod | |
| 14 | 122524970/2 | 1 | Fulcrum Pin | |
| 15 | 112155000/0 | 1 | Nut | |
| 16 | 125430213/0 | 1 | Spring | |
| 31 | 382000605/0 | 1 | Drive Pedal | |
| 32 | 325110417/0 | 1 | Clamp Cover Front | |
| 33 | 325110418/0 | 1 | Clamp Cover Rear | |
| 34 | 325785185/0 | 2 | Support | |
| 35 | 327546015/2 | 2 | Plate | |
| 36 | 112815245/0 | 4 | Screw | |
| 37 | 112154510/0 | 4 | Nut | |
| 38 | 382000578/0 | 1 | Rod (Hydro-Gear) | |
| 39 | 112523040/0 | 2 | Washer | |
| 40 | 112000940/0 | 2 | Benzing Ring | |
| 41 | 382394853/0 | 1 | Switch Ass.Y | |
| 42 | 119410609/0 | 1 | Micro Switch | |
| 43 | 112735602/0 | 2 | Screw | |
| 44 | 112581100/0 | 2 | Grower | |
| 45 | 112290791/0 | 2 | Hexagonal Nut | |
| 46 | 112735110/0 | 2 | Screw | |
| 61 | 325207171/0 | 1 | Cover (Hydro) | |
| 62 | 112735402/0 | 2 | Screw | |
| 63 | 112523050/0 | 4 | Washer | |



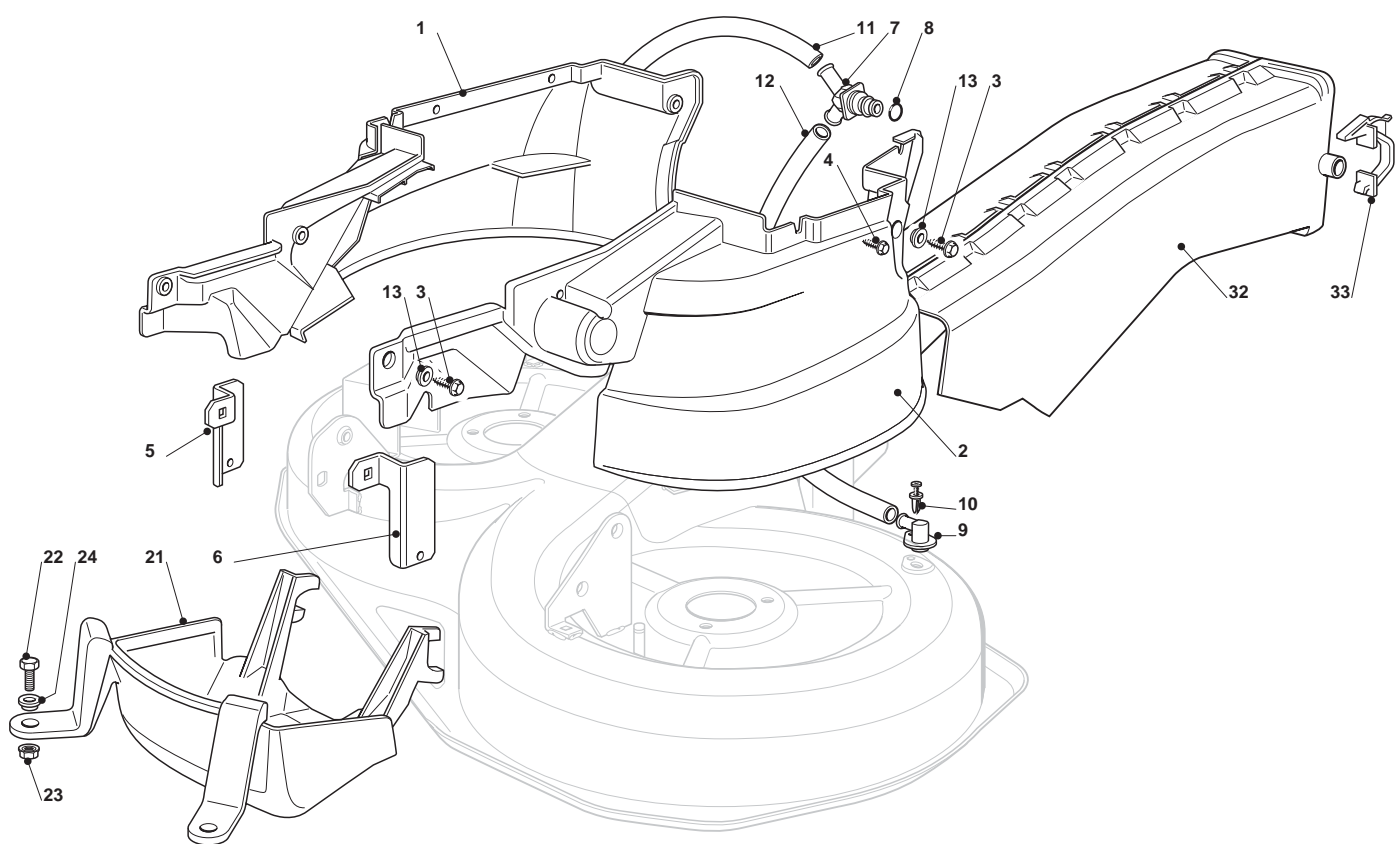
| Engine - GGP | | | | |
|--------------|-------------|------|-------------------------|-------|
| POS | CODE | Q.TY | DESCRIPTION | NOTES |
| 2 | 325869057/0 | 1 | Connecting Tube | |
| 3 | 118375051/1 | 4 | Fair Led | |
| 4 | 118738231/1 | 1 | Exhaust Tube | |
| 5 | 112583500/0 | 2 | Grower | |
| 6 | 112737450/0 | 2 | Screw | |
| 7 | 112735108/1 | 4 | Screw | |
| 8 | 112735599/0 | 1 | Screw | |
| 10 | 127598060/0 | 1 | Oil Discharge Extension | |
| 11 | 118737849/0 | 1 | Plug | |
| 12 | 118401001/1 | 1 | Oil Seal | |
| 14 | 112793102/0 | 2 | Screw | |
| 15 | 112540260/0 | 2 | Grower | |
| 16 | 182750010/0 | 1 | Muffler | |
| 17 | 112360425/0 | 2 | Nut | |
| 18 | 382598039/0 | 1 | Guard | |
| 19 | 112792611/0 | 2 | Screw | |
| 20 | 112583500/0 | 2 | Grower | |
| 41 | 112791213/1 | 2 | Screw | |
| 42 | 112292102/0 | 2 | Nut | |
| 43 | 118736110/0 | 1 | Starter Relay | |
| 44 | 112360352/0 | 2 | Nut | |
| 45 | 118564861/1 | 1 | Protection | |
| 46 | 125065017/0 | 1 | Cable | |
| 61 | 182000212/0 | 1 | Accelerator | |
| 62 | 125943012/0 | 2 | Screw | |
| 64 | 325592000/0 | 1 | Knob | |
| 65 | 112726388/0 | 1 | Screw | |
| 66 | 112290800/0 | 1 | Hexagonal Nut | |



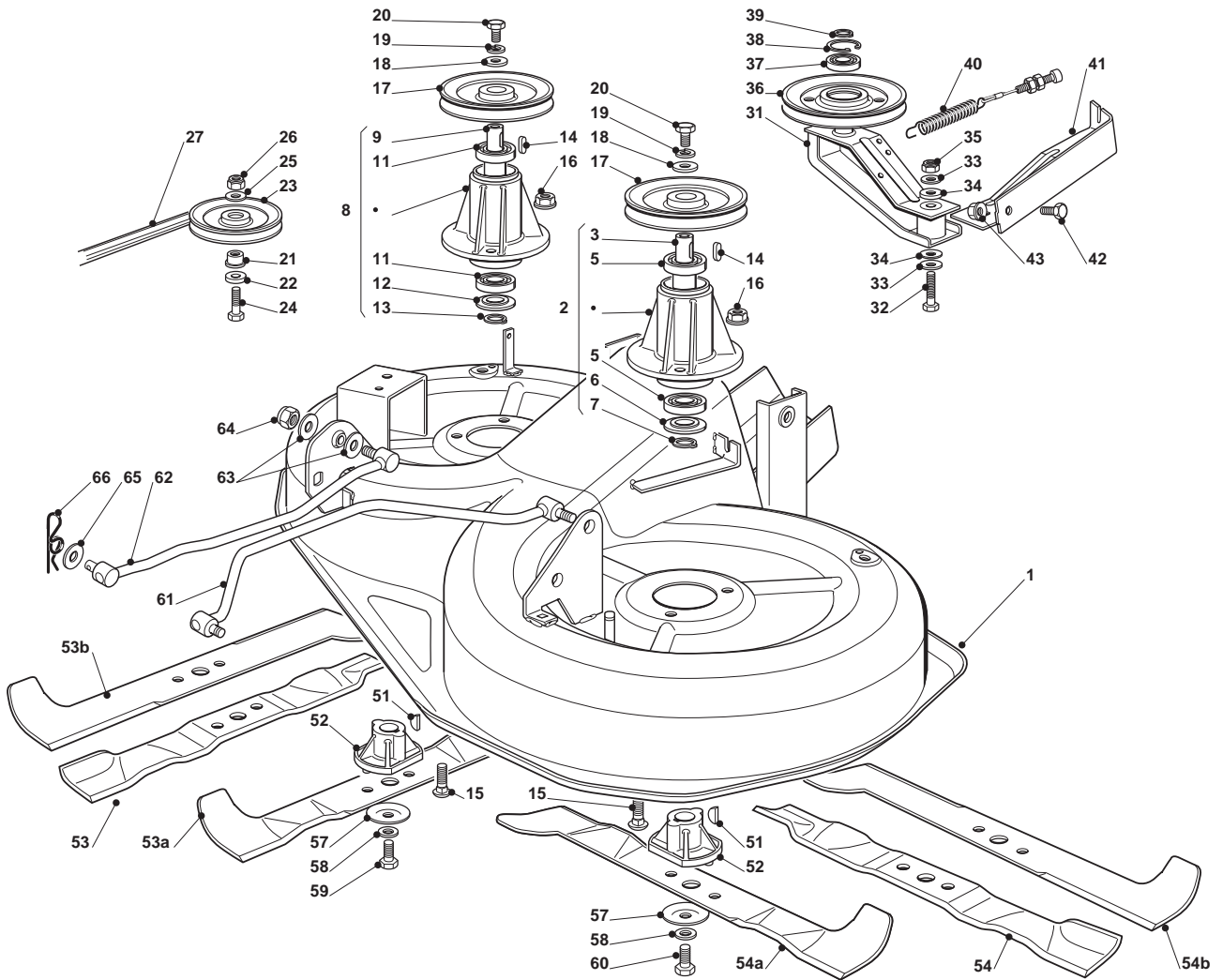
| Transmission Hydro-Gear | | | | |
|-------------------------|-------------|------|---------------------|-------|
| POS | CODE | Q.TY | DESCRIPTION | NOTES |
| 1 | 118399063/0 | 1 | Clutch Assy | |
| 2 | 112737320/0 | 1 | Screw | |
| 3 | 112543000/0 | 1 | Washer | |
| 4 | 122430216/0 | 1 | Tension Spring | |
| 5 | 125601577/0 | 1 | Pulley | |
| 6 | 125160021/0 | 1 | Spacer | |
| 7 | 382318217/0 | 1 | Lever | |
| 8 | 112691115/0 | 1 | Screw | |
| 9 | 112523060/0 | 1 | Washer | |
| 10 | 327670055/0 | 1 | Antifriction Washer | |
| 11 | 125510087/0 | 1 | Pin | |
| 12 | 112523060/0 | 1 | Washer | |
| 13 | 112155000/0 | 1 | Nut | |
| 14 | 125601554/0 | 1 | Pulley | |
| 15 | 112523060/0 | 1 | Washer | |
| 16 | 112155000/0 | 1 | Nut | |
| 17 | 125430260/0 | 1 | Spring | |
| 18 | 325755049/0 | 1 | Bracket | |
| 19 | 125840005/0 | 1 | Tie Rod | |
| 20 | 112293200/0 | 2 | Hexagonal Nut | |
| 21 | 112818690/0 | 1 | Screw | |
| 22 | 112293201/0 | 1 | Nut | |
| 23 | 135062013/0 | 1 | Belt | |
| 24 | 118802723/0 | 1 | Fan Kit | |
| 41 | 125160080/0 | 1 | Pin | |
| 42 | 112691800/0 | 1 | Screw | |
| 43 | 325601599/0 | 1 | Pulley | |
| 44 | 112523060/0 | 1 | Washer | |
| 45 | 112155000/0 | 1 | Nut | |
| 46 | 125160024/2 | 1 | Right Spacer | |
| 47 | 125160030/2 | 1 | Left Spacer | |
| 48 | 112691400/0 | 1 | Screw | |
| 49 | 112691115/0 | 1 | Screw | |
| 50 | 125601588/0 | 2 | Pulley | |
| 51 | 122671653/0 | 2 | Washer | |
| 52 | 112155000/0 | 2 | Nut | |
| 53 | 118400919/2 | 1 | Rear Axle | |
| 54 | 112691600/0 | 4 | Screw | |
| 55 | 112154210/0 | 4 | Self-Locking Nut | |
| 56 | 382785199/0 | 1 | Support | |
| 57 | 112691700/0 | 1 | Screw | |
| 58 | 112155000/0 | 1 | Nut | |
| 59 | 112793701/0 | 1 | Screw | |
| 60 | 112523060/0 | 2 | Washer | |
| 61 | 112155000/0 | 1 | Nut | |
| 62 | 325318253/0 | 1 | Lever | |
| 63 | 112791213/1 | 1 | Screw | |
| 64 | 112154210/0 | 1 | Self-Locking Nut | |
| 69 | 125160058/0 | 2 | Spacer | |
| 70 | 125670005/1 | 2 | Washer | |
| 71 | 325670025/0 | 2 | Washer | |
| 74 | 114361451/0 | 1 | Label | |



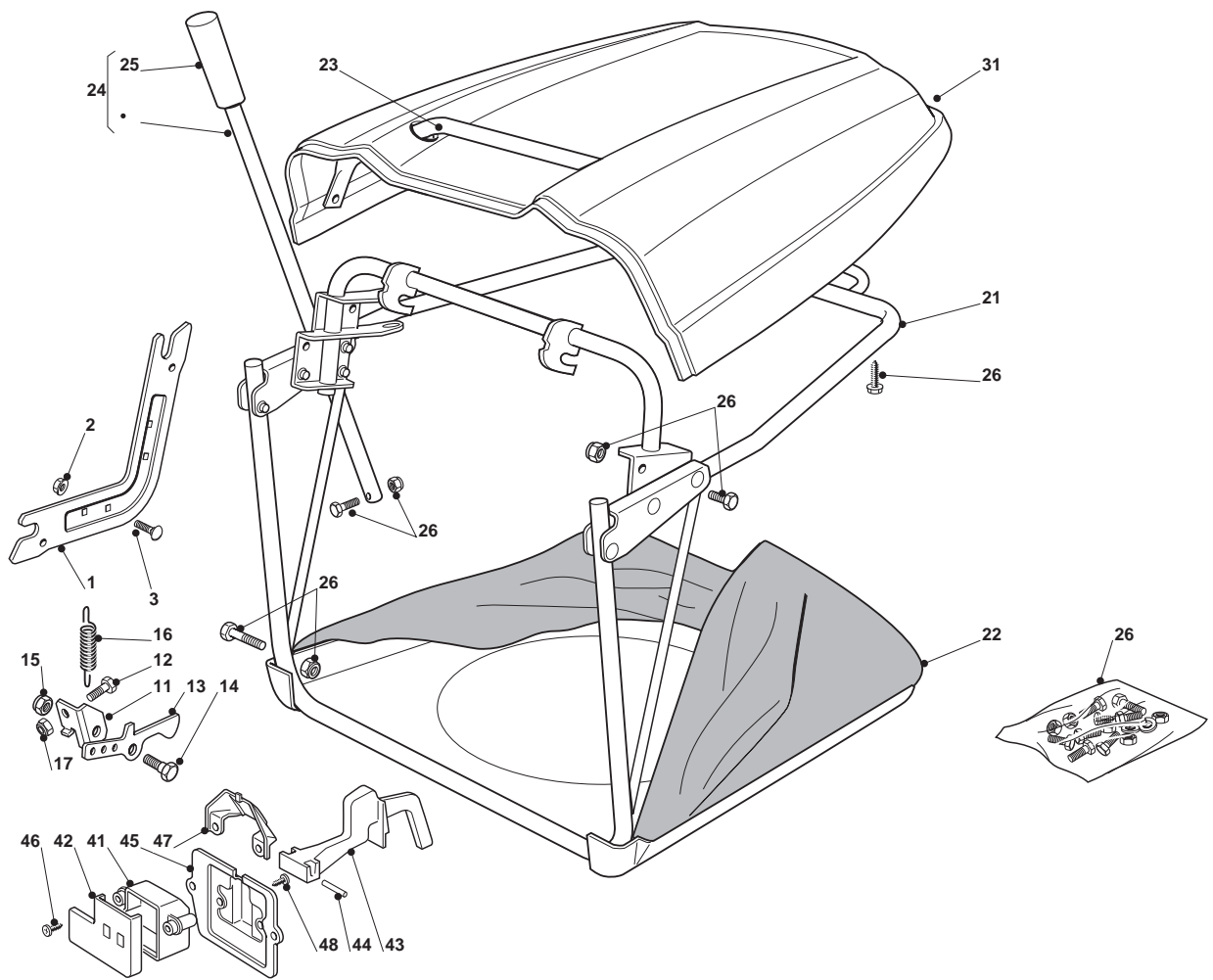
| Cutting Plate Lifting | | | | |
|-----------------------|-------------|------|---------------------|-------|
| POS | CODE | Q.TY | DESCRIPTION | NOTES |
| 1 | 382774249/0 | 1 | Clamp | |
| 2 | 382318219/1 | 1 | Lever | |
| 3 | 325394535/0 | 1 | Knob | |
| 4 | 112674700/0 | 1 | Screw | |
| 5 | 112154510/0 | 1 | Nut | |
| 6 | 325650113/0 | 1 | Plate | |
| 7 | 112818690/0 | 2 | Screw | |
| 8 | 112155000/0 | 2 | Nut | |
| 9 | 122041980/0 | 2 | Bush | |
| 10 | 112523060/0 | 2 | Washer | |
| 11 | 112691600/0 | 1 | Screw | |
| 12 | 112155000/0 | 1 | Nut | |
| 13 | 125430259/0 | 1 | Spring | |
| 14 | 325735511/0 | 1 | Sector | |
| 15 | 112818690/0 | 2 | Screw | |
| 16 | 112293201/0 | 2 | Nut | |
| 17 | 382000387/0 | 1 | Axle | |
| 18 | 325547041/1 | 2 | Plate | |
| 19 | 112731580/0 | 4 | Screw | |
| 20 | 382000618/0 | 1 | Rod | |
| 21 | 325670011/0 | 1 | Antifriction Washer | |
| 22 | 124487997/0 | 1 | Cotter Pin | |
| 23 | 112523040/0 | 1 | Washer | |
| 24 | 112154210/0 | 1 | Self-Locking Nut | |
| 25 | 122446402/1 | 1 | Spring | |
| 26 | 112792410/0 | 1 | Screw | |
| 27 | 112292102/0 | 2 | Nut | |
| 28 | 382000537/0 | 1 | Connecting Rod | |
| 29 | 325670008/1 | 2 | Washer | |
| 30 | 112156602/0 | 1 | Nut | |
| 31 | 124487998/0 | 1 | Cotter Pin | |
| 32 | 125840025/0 | 1 | Tie Rod | |
| 33 | 325670008/1 | 1 | Washer | |
| 34 | 124487998/0 | 1 | Cotter Pin | |
| 35 | 125510090/0 | 1 | Pin | |
| 36 | 112295200/0 | 1 | Hexagonal Nut | |
| 37 | 112156602/0 | 1 | Nut | |
| 38 | 325670008/1 | 2 | Washer | |
| 39 | 112156602/0 | 1 | Nut | |
| 40 | 112521360/0 | 2 | Washer | |
| 41 | 382000385/0 | 1 | Axle | |
| 42 | 327546015/2 | 2 | Plate | |
| 43 | 112731350/0 | 4 | Screw | |
| 44 | 125840024/0 | 1 | Tie Rod | |
| 45 | 325670008/1 | 1 | Washer | |
| 46 | 124487998/0 | 1 | Cotter Pin | |
| 47 | 125510098/0 | 1 | Pin | |
| 48 | 112295200/0 | 1 | Hexagonal Nut | |
| 49 | 112156602/0 | 1 | Nut | |
| 50 | 325670008/1 | 2 | Washer | |
| 51 | 112156602/0 | 1 | Nut | |
| 52 | 125840025/0 | 1 | Tie Rod | |
| 53 | 325670008/1 | 1 | Washer | |
| 54 | 124487998/0 | 1 | Cotter Pin | |
| 55 | 125510090/0 | 1 | Pin | |
| 56 | 112295200/0 | 1 | Hexagonal Nut | |
| 57 | 112156602/0 | 1 | Nut | |
| 58 | 325670008/1 | 2 | Washer | |
| 59 | 112156602/0 | 1 | Nut | |



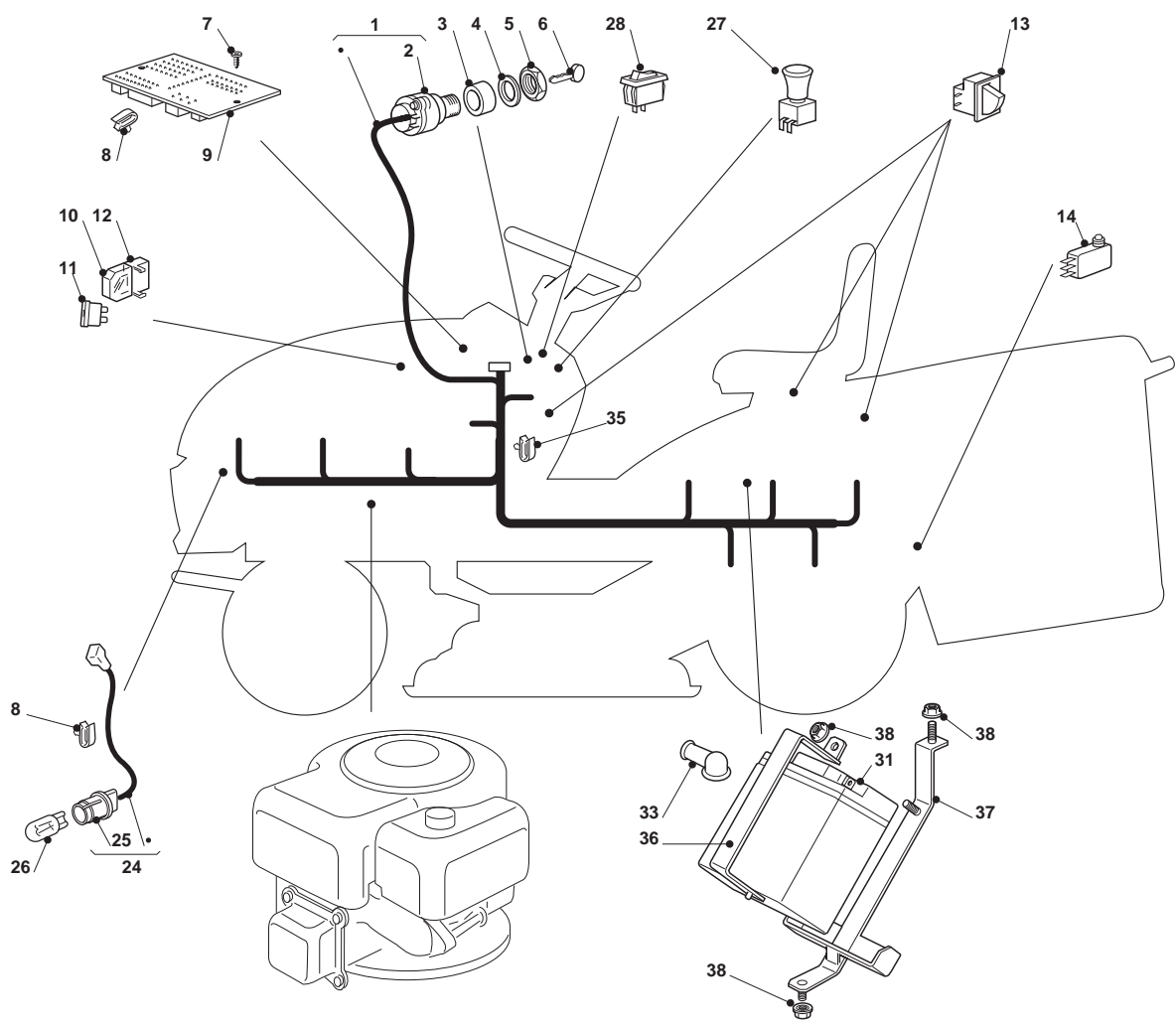
| Guards | | | | |
|--------|-------------|------|-----------------------|-------|
| POS | CODE | Q.TY | DESCRIPTION | NOTES |
| 1 | 325060121/1 | 1 | Case | |
| 2 | 325060122/0 | 1 | Case | |
| 3 | 112735120/0 | 6 | Screw | |
| 4 | 112728535/0 | 4 | Screw | |
| 5 | 325774381/0 | 1 | Bracket | |
| 6 | 325774383/0 | 1 | Bracket | |
| 7 | 325033066/0 | 1 | Water Hose Connection | |
| 8 | 112000970/0 | 1 | O.R. Ring | |
| 9 | 325033065/0 | 2 | Water Hose Connection | |
| 10 | 112500030/0 | 2 | Rivet | |
| 11 | 325869069/0 | 1 | Connecting Tube | |
| 12 | 325869068/0 | 1 | Connecting Tube | |
| 13 | 325160039/0 | 6 | Spacer | |
| 21 | 325060127/0 | 1 | Case | |
| 22 | 112791400/0 | 2 | Screw | |
| 23 | 112154510/0 | 2 | Nut | |
| 24 | 325160039/0 | 2 | Spacer | |
| 32 | 382108008/1 | 1 | Conveyor | |
| 33 | 325774373/0 | 2 | Clamp | |



| Cutting Deck | | | | |
|--------------|-------------|------|-----------------------------|-------|
| POS | CODE | Q.TY | DESCRIPTION | NOTES |
| 1 | 382564075/0 | 1 | Cutting Plate Black | |
| 2 | 382207202/0 | 1 | Left Flange Ass.Y | |
| 3 | 125020802/0 | 1 | Shaft | |
| 5 | 119216047/0 | 2 | Bearing | |
| 6 | 325160501/0 | 1 | Dust Cover Disc | |
| 7 | 112609260/0 | 1 | Seeger | |
| 8 | 382207203/0 | 1 | Right Flange Assy | |
| 9 | 125020803/0 | 1 | Secondary Blade Shaft | |
| 11 | 119216047/0 | 2 | Bearing | |
| 12 | 325160501/0 | 1 | Dust Cover Disc | |
| 13 | 112609260/0 | 1 | Seeger | |
| 14 | 112139480/0 | 2 | Feather | |
| 15 | 112818700/0 | 6 | Screw | |
| 16 | 112154210/0 | 6 | Self-Locking Nut | |
| 17 | 125601563/0 | 2 | Pulley | |
| 18 | 125670007/0 | 2 | Washer | |
| 19 | 112583500/0 | 2 | Grower | |
| 20 | 112793102/0 | 2 | Screw | |
| 21 | 125160079/0 | 1 | Spacer | |
| 22 | 125670007/0 | 1 | Washer | |
| 23 | 325601599/0 | 1 | Pulley | |
| 24 | 112691115/0 | 1 | Screw | |
| 25 | 112523060/0 | 1 | Washer | |
| 26 | 112155000/0 | 1 | Nut | |
| 27 | 135065701/0 | 1 | Belt | |
| 31 | 382318141/2 | 1 | Lever | |
| 32 | 112691700/0 | 1 | Screw | |
| 33 | 112523070/0 | 2 | Washer | |
| 34 | 322672152/0 | 2 | Antifriction Washer | |
| 35 | 112155000/0 | 1 | Nut | |
| 36 | 125601564/1 | 1 | Pulley | |
| 37 | 119216048/0 | 1 | Bearing | |
| 38 | 112610800/0 | 1 | Snap Ring | |
| 39 | 112609200/0 | 1 | Seeger | |
| 40 | 382004618/0 | 1 | Wire | |
| 41 | 382774215/3 | 1 | Clamp | |
| 42 | 112792611/0 | 1 | Screw | |
| 43 | 112293201/0 | 1 | Nut | |
| 51 | 112139100/0 | 2 | Key | |
| 52 | 125463200/0 | 2 | Blade Hub | |
| 53 | 182004352/0 | 1 | Right Mulching Blade | |
| 54 | 181004346/3 | 1 | Blade | |
| 57 | 122160400/0 | 2 | Elastic Disk | |
| 58 | 112523080/0 | 2 | Washer | |
| 59 | 112735695/1 | 1 | Screw | |
| 60 | 112735694/0 | 1 | Screw | |
| 61 | 382000535/0 | 1 | Equalizer Rod | |
| 62 | 382000533/0 | 1 | Equalizer Rod | |
| 63 | 325670008/1 | 4 | Washer | |
| 64 | 112156602/0 | 2 | Nut | |
| 65 | 325670008/1 | 2 | Washer | |
| 66 | 124487998/0 | 2 | Cotter Pin | |
| 53a | 182004354/0 | 1 | Right Blade, Winged | |
| 53b | 182004345/1 | 1 | Right Blade, Winged | |
| 54a | 182004353/0 | 1 | Left Blade Mulching, Winged | |
| 54b | 182004344/1 | 1 | Left Blade, Winged | |

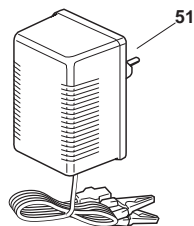
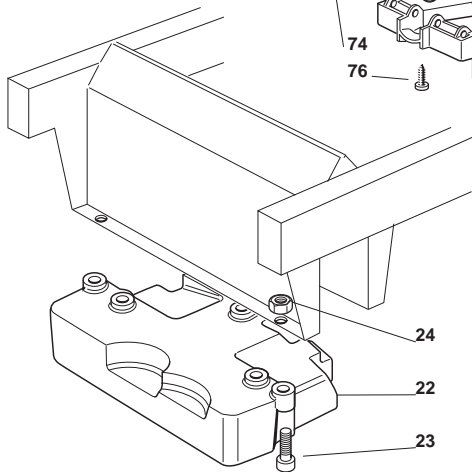
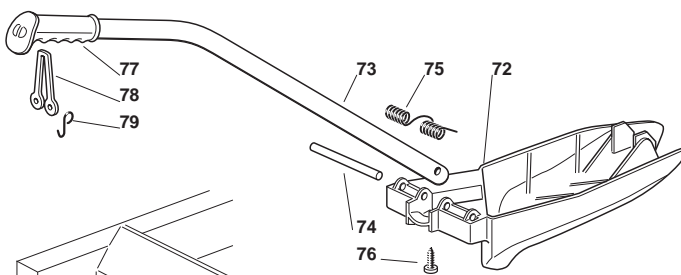
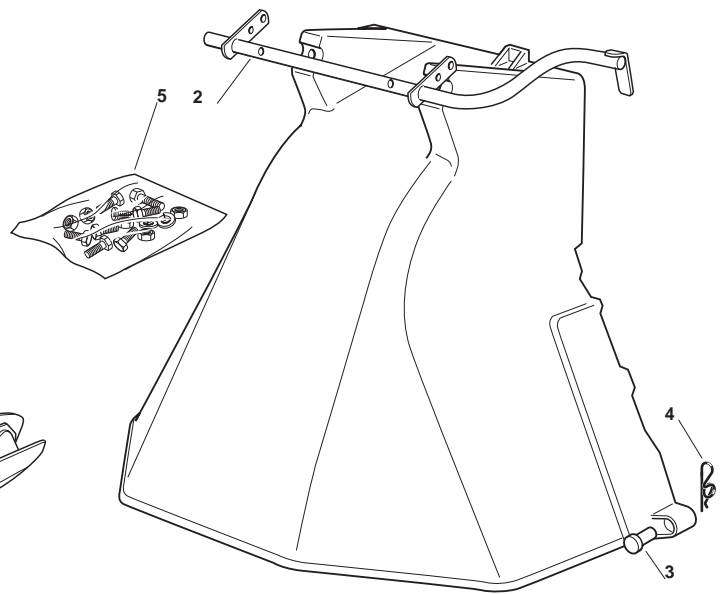
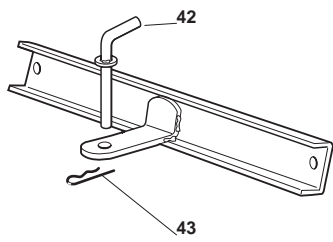


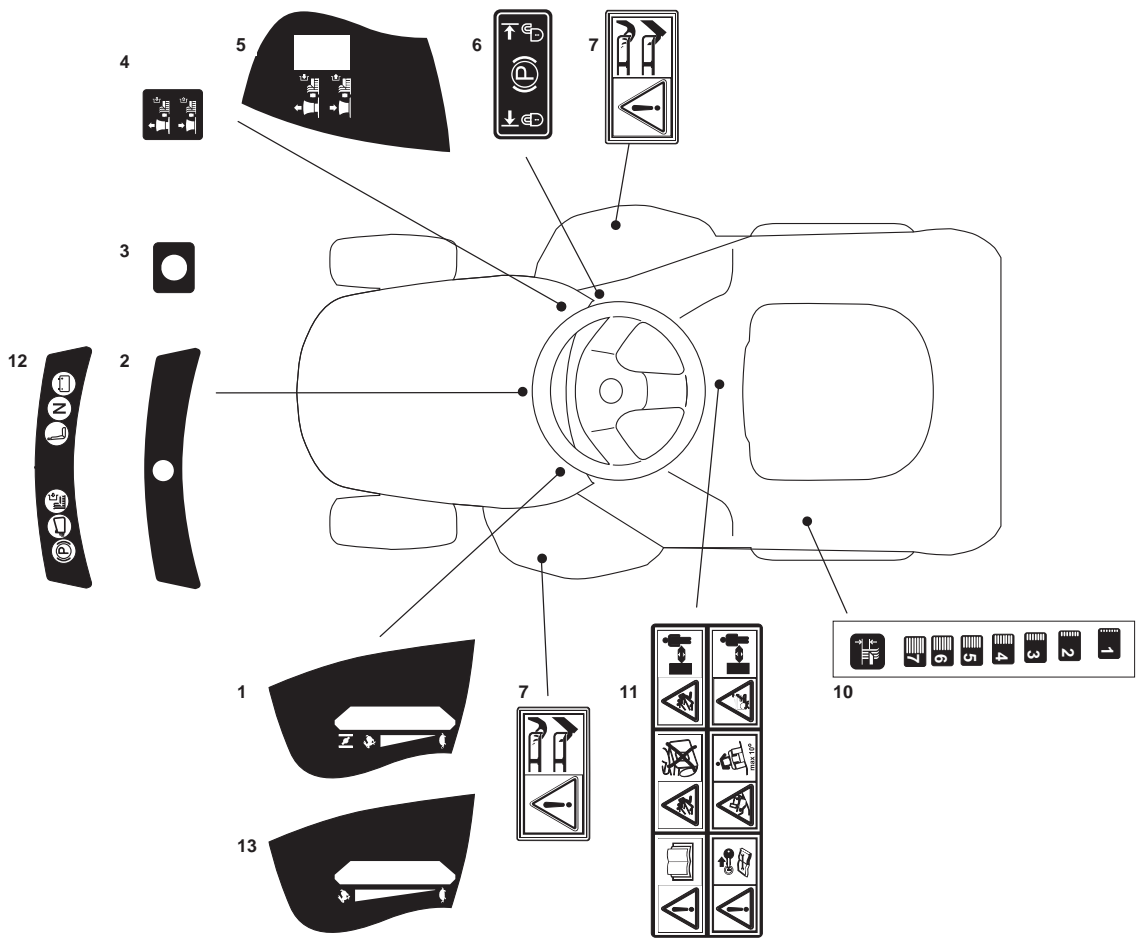
| Grasscatcher | | | | |
|--------------|-------------|------|--------------------------------|-------|
| POS | CODE | Q.TY | DESCRIPTION | NOTES |
| 1 | 325785275/0 | 2 | Support | |
| 2 | 112818690/0 | 4 | Screw | |
| 3 | 112293201/0 | 4 | Nut | |
| 11 | 325755031/1 | 1 | Bracket | |
| 12 | 112789000/0 | 1 | Screw | |
| 13 | 325774315/1 | 1 | Bracket | |
| 14 | 125510080/1 | 1 | Pin | |
| 15 | 112292102/0 | 1 | Nut | |
| 16 | 122450432/0 | 1 | Spring | |
| 17 | 112154330/0 | 1 | Low Self-Locking Nut | |
| 21 | 382800111/0 | 1 | Front Frame | |
| 22 | 182105973/0 | 1 | Grasscatcher | |
| 23 | 382394003/0 | 1 | Front Handle | |
| 24 | 382869023/0 | 1 | Rod | |
| 25 | 125394508/0 | 1 | Knob | |
| 26 | 382180048/0 | 1 | Screw | |
| 31 | 325110319/0 | 1 | Yellow Grass-Catcher Cover | |
| 41 | 125600041/0 | 1 | Grassc.Full Micro Protection | |
| 42 | 125600042/0 | 1 | Grasscatcher Micro Prot Cover | |
| 43 | 125318124/0 | 1 | Full Grassc. Microswtich Cover | |
| 44 | 112400030/0 | 1 | Pin | |
| 45 | 325785272/0 | 1 | Micro Protection | |
| 46 | 112728510/0 | 1 | Screw | |
| 47 | 125600048/0 | 1 | Empty Micro Grassc.Protection | |
| 48 | 112735110/0 | 2 | Screw | |



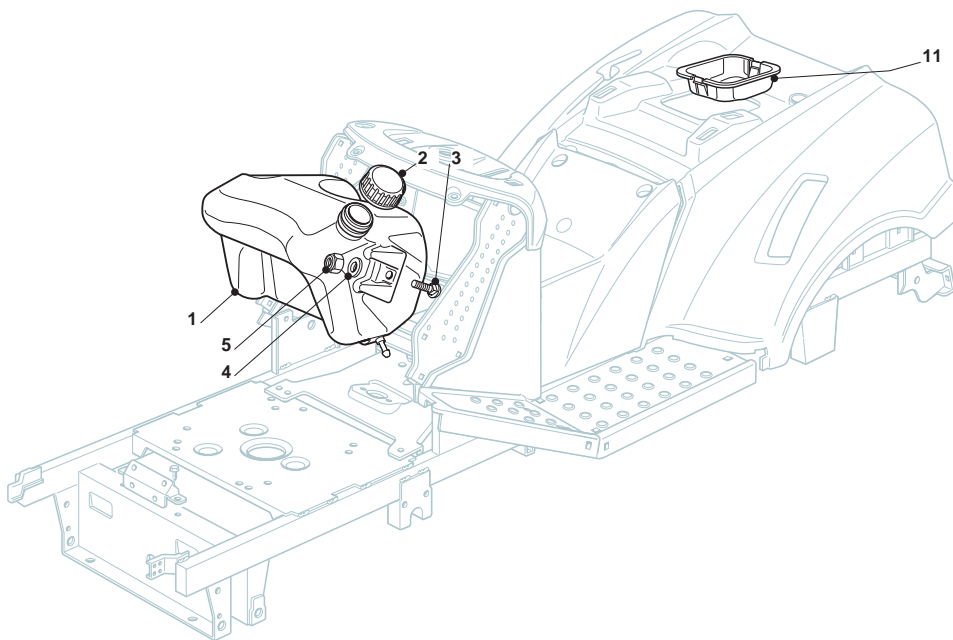
| Electric Parts | | | | |
|----------------|-------------|------|-------------------------|-------|
| POS | CODE | Q.TY | DESCRIPTION | NOTES |
| 1 | 182040153/0 | 1 | Cables Ass.Y | |
| 1 | 182040192/0 | 1 | Cables Ass.Y | |
| 2 | 118450072/0 | 1 | Starting Switch | |
| 3 | 118550136/0 | 1 | Spacer | |
| 4 | 118550135/0 | 1 | Washer | |
| 5 | 118400862/0 | 1 | Ring Nut | |
| 6 | 118210022/0 | 1 | Starting Key | |
| 7 | 112727810/0 | 3 | Screw | |
| 8 | 133320506/0 | 2 | Fairlead | |
| 9 | 125722431/0 | 1 | Electronic Card (6 Led) | |
| 10 | 133215000/0 | 2 | Cover | |
| 11 | 133340036/0 | 1 | Fuse 25 A | |
| 11 | 133340040/0 | 1 | Lamellar Fusible 10A | |
| 12 | 133500007/0 | 2 | Fuse Carrier | |
| 13 | 119410615/0 | 3 | Micro Switch | |
| 14 | 119410605/1 | 1 | Micro Switch | |
| 24 | 182040073/0 | 1 | Lamp Holder | |
| 25 | 133500030/0 | 2 | Lamp Holder | |
| 26 | 118459100/0 | 2 | Lamp For Lights | |
| 27 | 118450068/0 | 1 | Delta Switch | |
| 28 | 118450060/1 | 1 | Headlight Interrupt | |
| 31 | 118120002/1 | 1 | Combinat.Battery | |
| 33 | 118564861/1 | 1 | Protection | |
| 35 | 133320506/0 | 9 | Fairlead | |
| 36 | 327772099/1 | 1 | Clamp | |
| 37 | 382785191/0 | 1 | Battery Support | |
| 38 | 112155000/0 | 3 | Nut | |

| Optionals On Request | | | | |
|----------------------|-------------|------|-----------------------|---------|
| POS | CODE | Q.TY | DESCRIPTION | NOTES |
| 2 | 382869035/0 | 1 | Support | |
| 3 | 125510022/0 | 2 | Pin | |
| 4 | 124487998/0 | 2 | Cotter Pin | |
| 5 | 382180062/0 | 1 | Screw | |
| 22 | 125519997/1 | 1 | Front Weight Tc | |
| 23 | 112760520/0 | 3 | Screw | |
| 24 | 112155000/0 | 3 | Nut | |
| 42 | 125510021/1 | 1 | Hitch Pin | |
| 43 | 124487999/0 | 1 | Spring Pin | |
| 51 | 182180050/0 | 1 | Battery Charger 0,6A | CE plug |
| 72 | 325140093/0 | 1 | Deflector | |
| 73 | 325394007/0 | 1 | Handle | |
| 74 | 125510077/0 | 1 | Pin | |
| 75 | 125430245/0 | 1 | Spring | |
| 76 | 112735410/0 | 1 | Screw | |
| 77 | 325280000/1 | 1 | Handgrip | |
| 78 | 125840011/1 | 1 | Tie Rod | |
| 79 | 125253004/0 | 2 | Mulch.Kit Fixing Hook | |

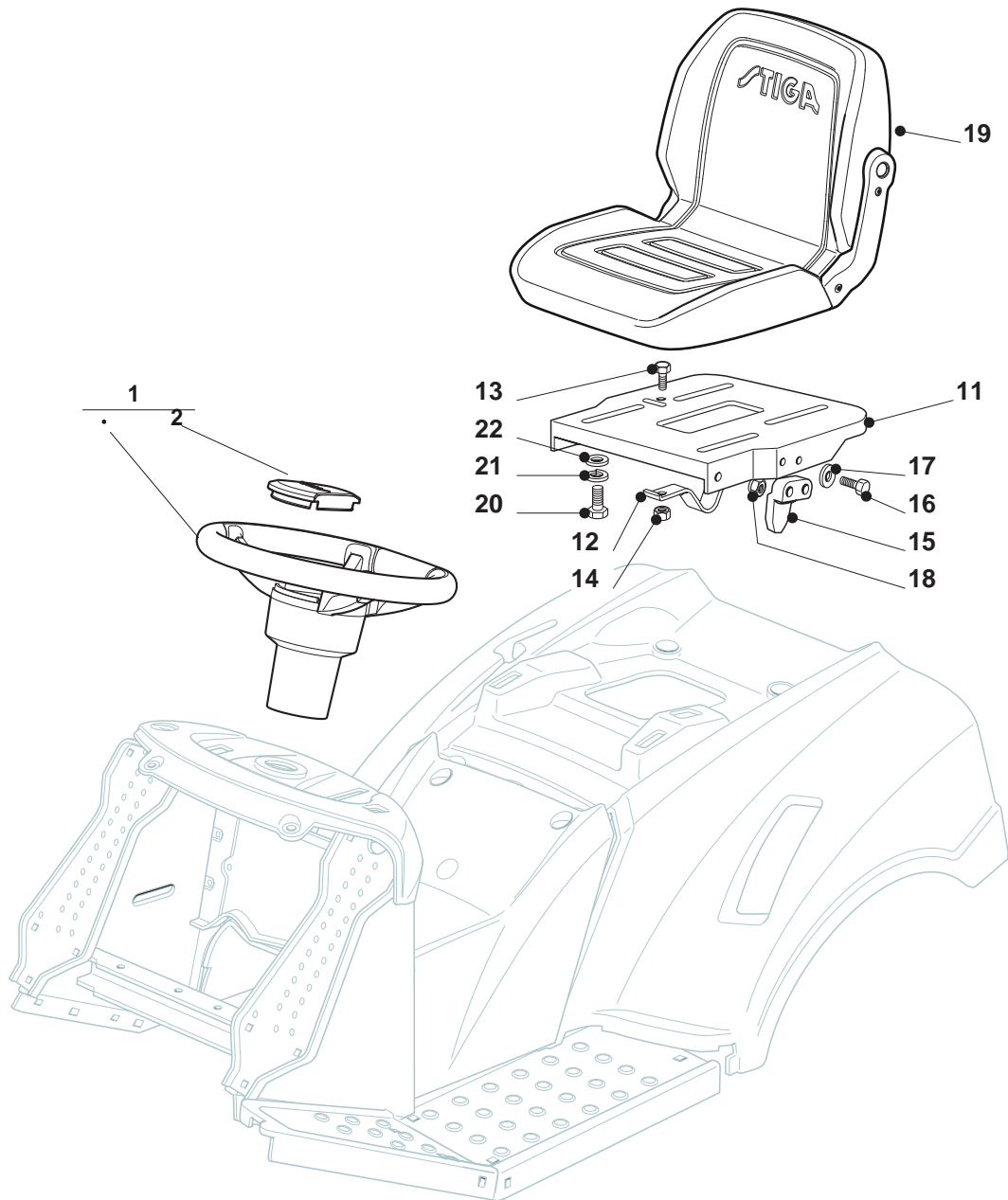




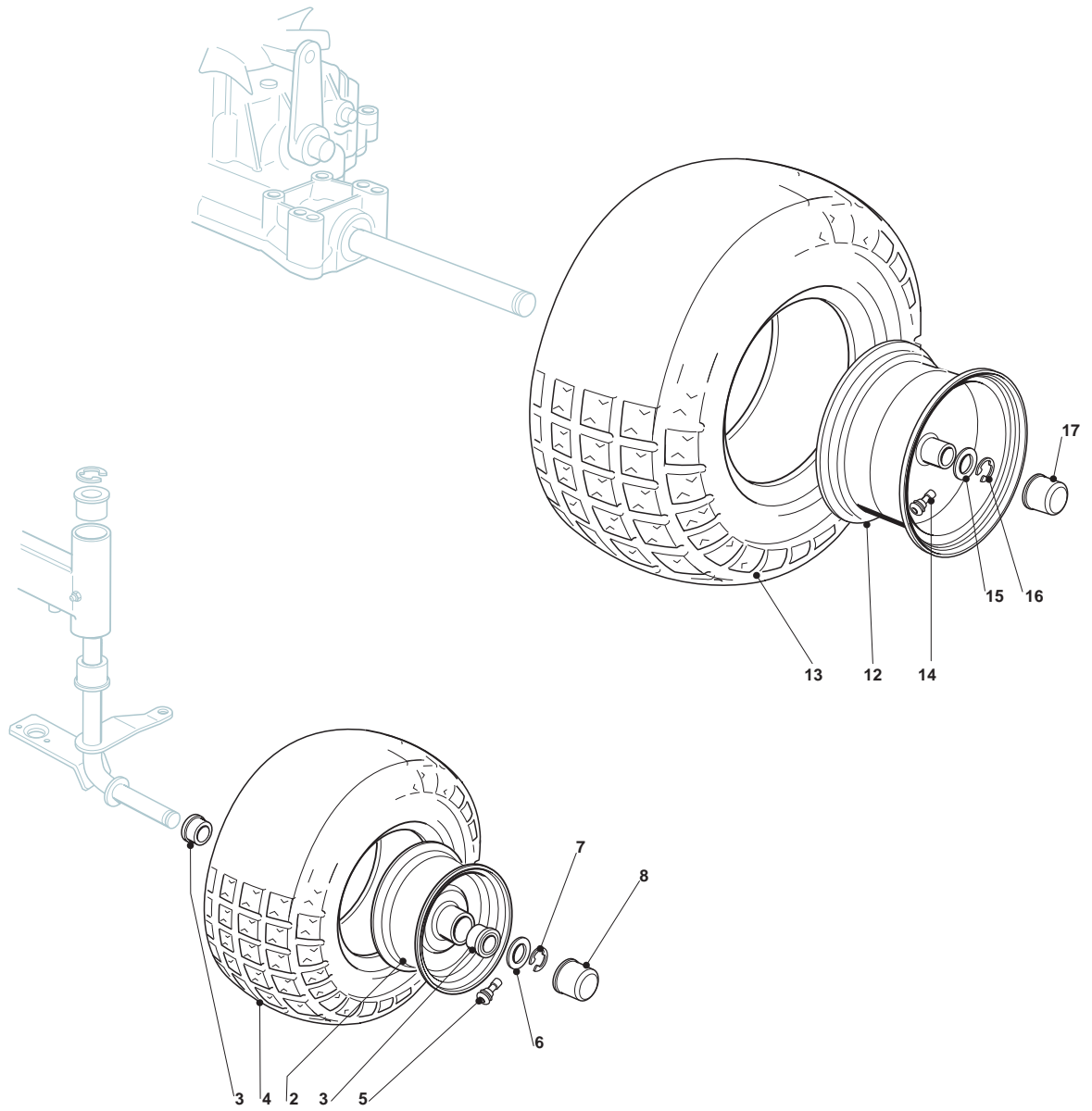
| Labels | | | | |
|---------------|-------------|-------------|--------------------|--------------|
| POS | CODE | Q.TY | DESCRIPTION | NOTES |
| 1 | 114361440/0 | 1 | Label | |
| 5 | 114361439/0 | 1 | Label | |
| 6 | 114361452/0 | 1 | Label | |
| 7 | 114356699/1 | 2 | Label | |
| 10 | 114361441/0 | 1 | Label | |
| 11 | 114361553/0 | 1 | Label | |
| 12 | 125420020/0 | 1 | Label | |



| Tank 5,5 Lt | | | | |
|-------------|-------------|------|-------------|-------|
| POS | CODE | Q.TY | DESCRIPTION | NOTES |
| 1 | 325735128/0 | 1 | Tank | |
| 2 | 125795000/1 | 1 | Fuel Cap | |
| 3 | 112815210/0 | 2 | Screw | |
| 4 | 325160039/0 | 2 | Spacer | |
| 5 | 112154510/0 | 2 | Nut | |
| 11 | 325207176/0 | 1 | Basin | |



| Seat & Steering Wheel | | | | |
|-----------------------|-------------|------|----------------------|-------|
| POS | CODE | Q.TY | DESCRIPTION | NOTES |
| 1 | 325961222/1 | 1 | Steering Wheel | |
| 2 | 325580508/0 | 1 | Steering Plate | |
| 11 | 325547033/1 | 1 | Seat Plate | |
| 12 | 125430223/2 | 1 | Spring | |
| 13 | 112789000/0 | 1 | Screw | |
| 14 | 112154330/0 | 1 | Low Self-Locking Nut | |
| 15 | 327063021/1 | 1 | Cam | |
| 16 | 112789100/0 | 2 | Screw | |
| 17 | 112523020/0 | 2 | Washer | |
| 18 | 112154330/0 | 2 | Low Self-Locking Nut | |
| 19 | 125722479/0 | 1 | Seat | |
| 20 | 112793101/0 | 4 | Screw | |
| 21 | 112583500/0 | 4 | Grower | |
| 22 | 112523060/0 | 4 | Washer | |



| Wheels | | | | |
|--------|-------------|------|-----------------|-------|
| POS | CODE | Q.TY | DESCRIPTION | NOTES |
| 2 | 182000590/1 | 2 | Rimm | |
| 3 | 125122200/2 | 4 | Bearing | |
| 4 | 125590020/0 | 2 | Tyre | |
| 5 | 125950000/0 | 2 | Valve | |
| 6 | 125670005/1 | 2 | Washer | |
| 7 | 112001000/0 | 2 | Benzing Ring | |
| 8 | 122110230/0 | 2 | Hub Cover | |
| 12 | 182000592/0 | 2 | Rear Wheel Rimm | |
| 13 | 125590022/0 | 2 | Tyre | |
| 14 | 125950000/0 | 2 | Valve | |
| 15 | 125670005/1 | 2 | Washer | |
| 16 | 112001010/0 | 2 | Benzing Ring | |
| 17 | 122110230/0 | 2 | Hub Cover | |