



[www.stiga.com](http://www.stiga.com)

# Illustrated Parts List

for model:

**COMBI 1066 HQ**

- Use GLOBAL GARDEN PRODUCT genuine spare parts specified in the parts list for repair and/or replacement.
- Then contents described in the parts list may change due to improvement.
- The drawings of the spare part are only indicative and might not represent the part in question exactly.
- The indications "right" - "left" - "front" - "rear" refer to the position of the operator when using the machine.
- When placing orders of parts for repair and/or replacement, make sure that the illustrated parts list is the one applying to the machine's year of manufacture, as shown on the identification plate attached to the machine.

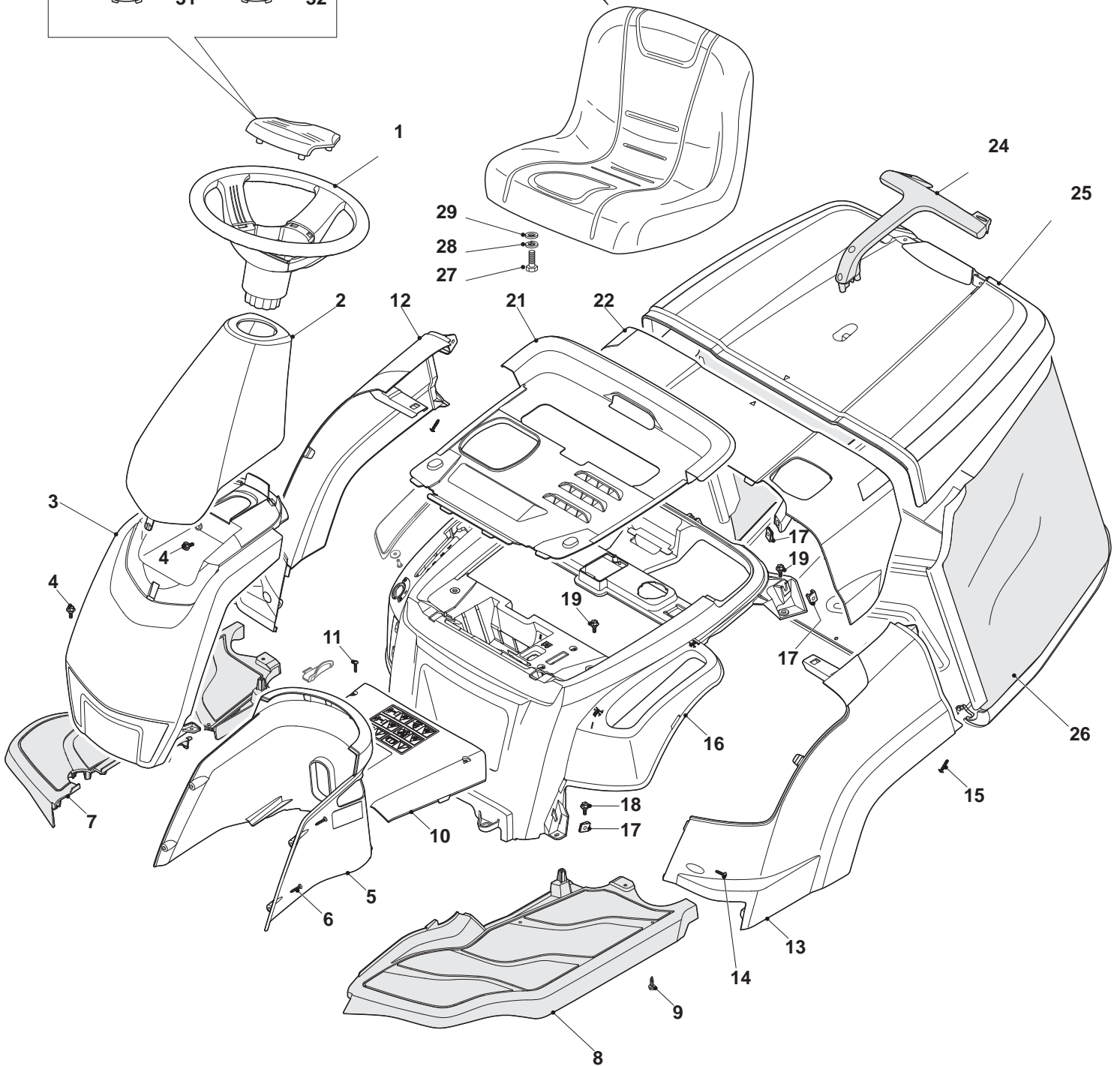
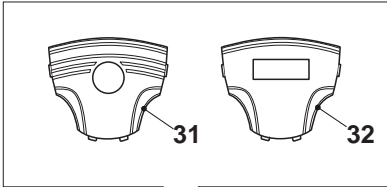
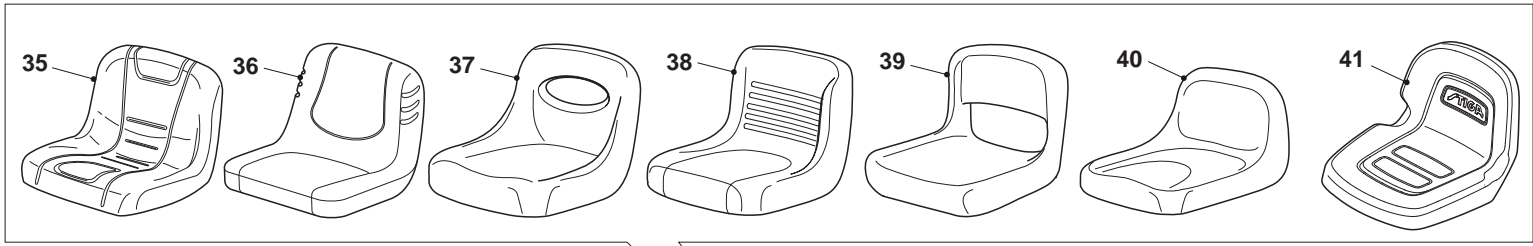
© Copyright 2014 Global Garden Products

All content is subject to copyright by Global Garden Products and may not be reproduced in whole or in part by any means, electronic or otherwise, without prior written approval.

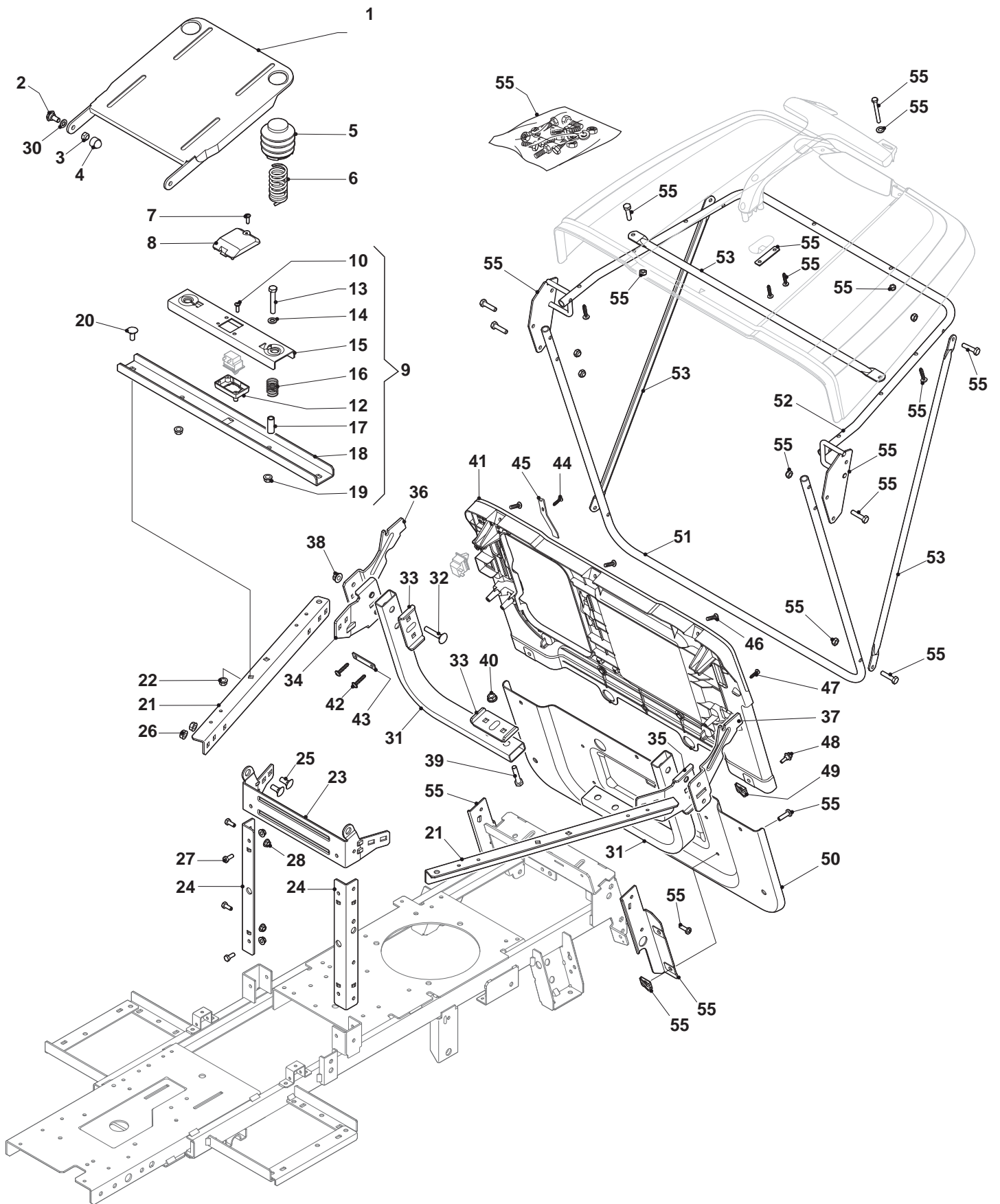
THIS INFORMATION IS NOT INTENDED FOR SALE OR RESALE, AND THIS NOTICE MUST REMAIN ON ALL COPIES.

[www.ggp-group.com](http://www.ggp-group.com)

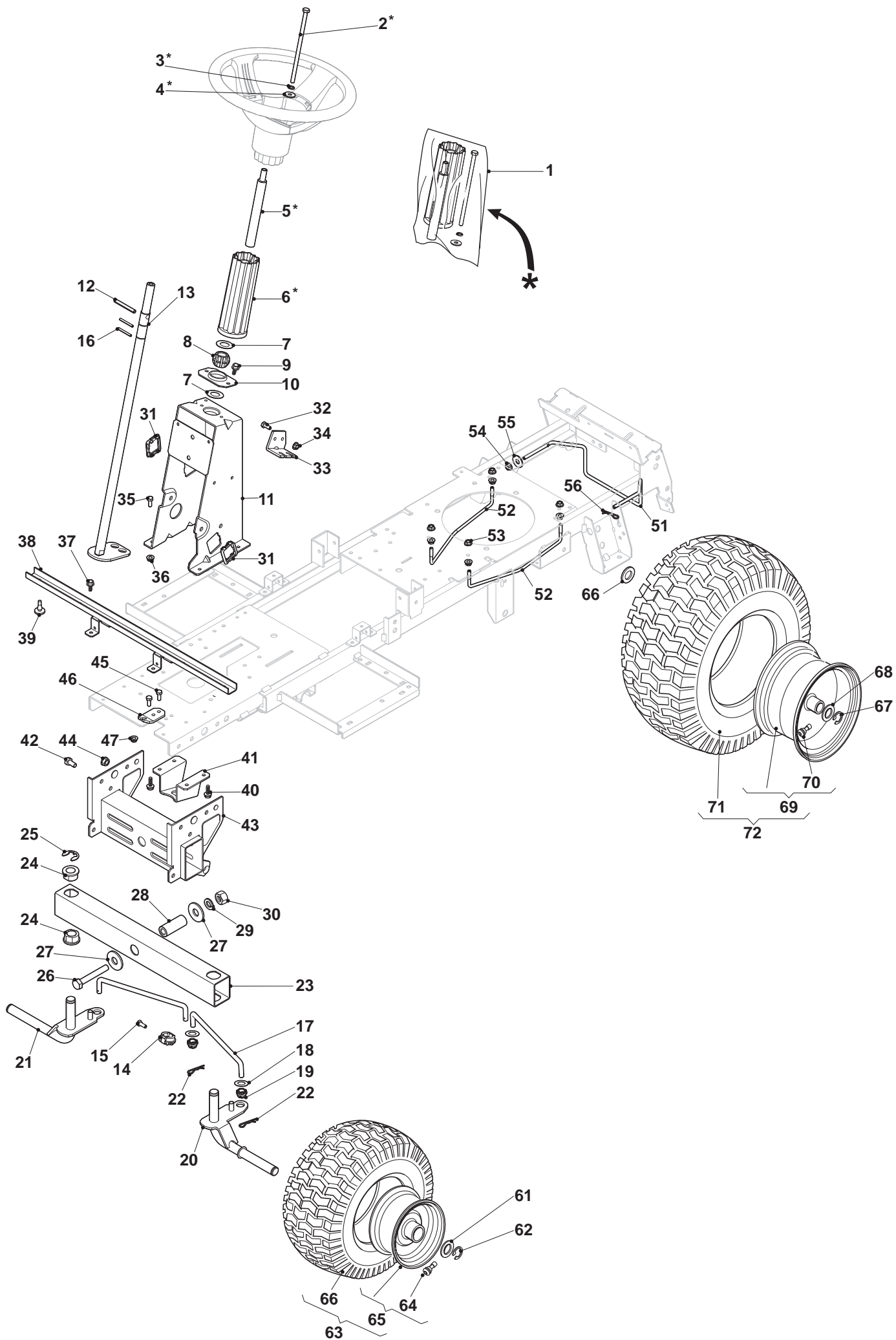




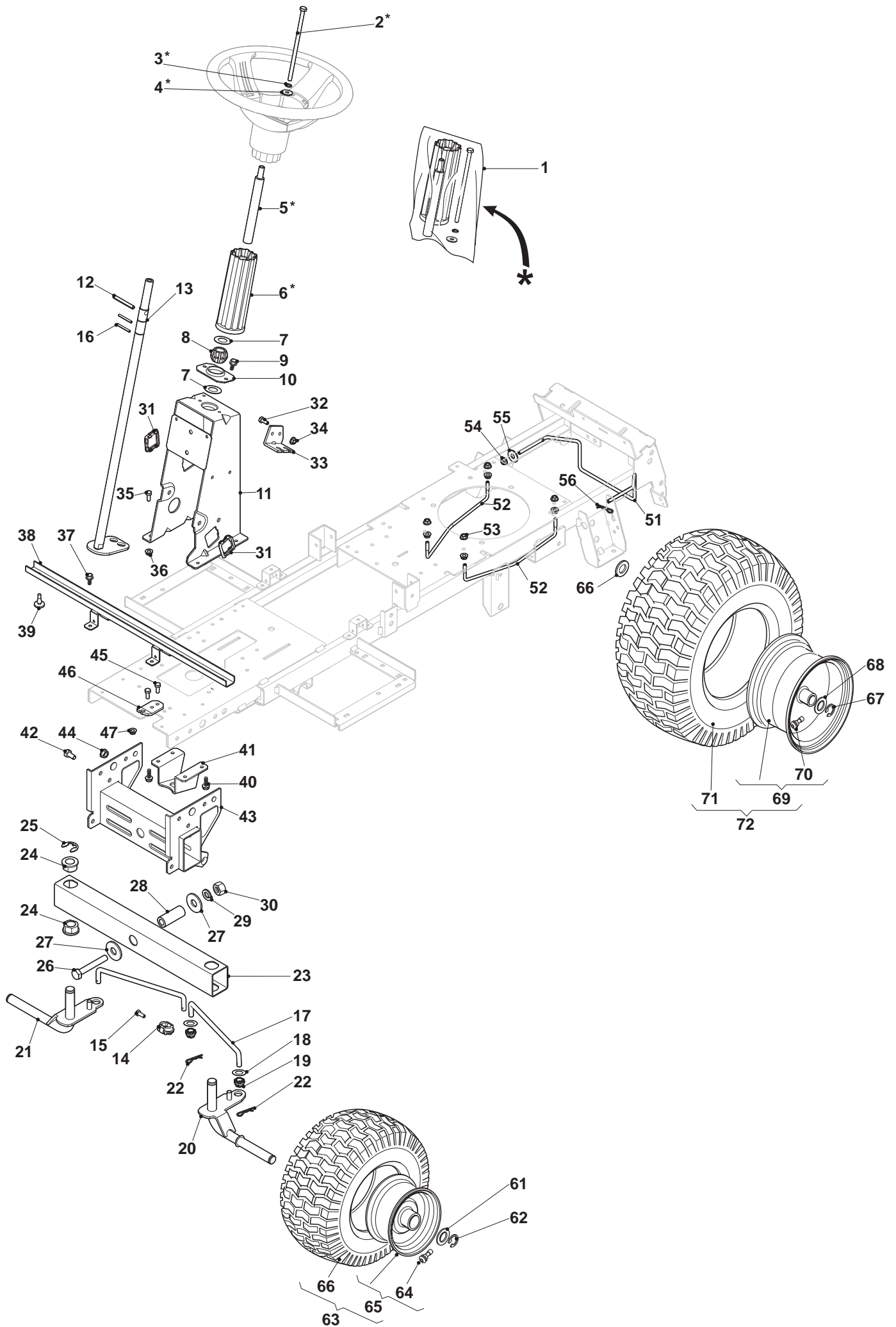
<b>Body</b>				
<b>POS</b>	<b>CODE</b>	<b>Q.TY</b>	<b>DESCRIPTION</b>	<b>NOTES</b>
1	325961220/0	1	Steering Wheel	
2	327110519/0	1	Steering Column Cover, Grey ST	
3	327110492/0	1	Front Cover, Yellow	
4	125943010/0	4	Screw	
5	327110518/0	1	Rear Cover, Grey STIGA	
6	112728300/0	4	Screw	
7	327500501/0	1	Right Footboard	
8	327500500/0	1	Left Footboard	
9	112735402/0	14	Screw	
10	327110516/1	1	Central Cover, Grey	
11	112728300/0	2	Screw	
12	327110488/0	1	Right Wheels Cover, Yellow	
13	327110490/0	1	Left Wheels Cover, Yellow	
14	112727801/0	6	Screw	
15	112728300/0	6	Screw	
16	327110517/1	1	Frame Cover, Grey	
17	112437507/0	10	Rapid Fixing Plate	
19	125943010/0	6	Screw	
21	327110481/1	1	Engine Cover Black	
22	327110494/0	1	Cover, Yellow	
22	327110532/0	1	Cover, Green	
24	327394004/0	1	Handle, Black	
25	327110484/0	1	Grass-Catcher Cover, Yellow	
26	184106074/0	1	Box, Fabric	
27	112793101/0	4	Screw	
28	112583500/0	4	Grower	
29	112523060/0	4	Washer	
32	325580504/0	1	Steering Plate	
41	125722477/0	1	Seat	



Frame				
POS	CODE	Q.TY	Seat	NOTES
1	382547061/0	1	Plate	
2	122524970/3	2	Pin	
3	112155010/0	2	Self-Locking Nut	
4	118203854/0	2	Screw	
5	327737500/0	2	Protection Hood	
6	127430589/0	2	Spring	
7	112728706/0	1	Screw	
8	327110508/0	1	Switch Cover	
9	384394751/1	1	Micro	
10	112728686/0	2	Screw	
11	119410606/0	1	Micro Switch	
12	325785379/1	1	Support	
13	112691400/0	2	Screw	
14	112521350/0	2	Washer	
15	327543047/0	1	Plate	
16	125430263/0	2	Spring	
17	125160048/0	2	Spacer	
18	327787089/0	1	Support	
19	112293201/0	2	Nut	
20	112818690/0	2	Screw	
21	327650131/0	2	Upper Stiffening	
22	112293201/0	2	Nut	
23	327543039/0	1	Backup Plate	
24	327010209/0	2	Angular	
25	112818690/0	8	Screw	
26	112293201/0	8	Nut	
27	112791200/1	8	Screw	
28	112154510/0	8	Nut	
30	122675110/0	2	Washer	
31	327869063/0	2	Pipe	
32	112819105/0	4	Screw	
33	327543029/0	4	Plate	
34	327772171/0	1	Bracket, Right	
35	327772225/0	1	Bracket, Right	
36	327772213/0	1	Bracket, Left	
37	327772215/1	1	Bracket, Left	
38	112154210/0	4	Self-Locking Nut	
39	112691115/0	4	Screw	
40	112154210/0	4	Self-Locking Nut	
41	327543027/0	1	Plate	
42	112728300/0	4	Screw	
43	322545142/0	2	Plate	
44	112728300/0	1	Screw	
45	127430600/0	1	Spring	
46	112727801/0	3	Screw	
47	112728300/0	2	Screw	
48	125943010/0	2	Screw	
49	112437507/0	2	Rapid Fixing Plate	
50	327543025/0	1	Plate	
51	384801145/0	1	Grasscatcher Frame	
52	384801147/0	1	Grasscatcher Upper Frame	
53	327650133/0	3	Upper Stiffening	
55	384180218/1	1	Outfit	

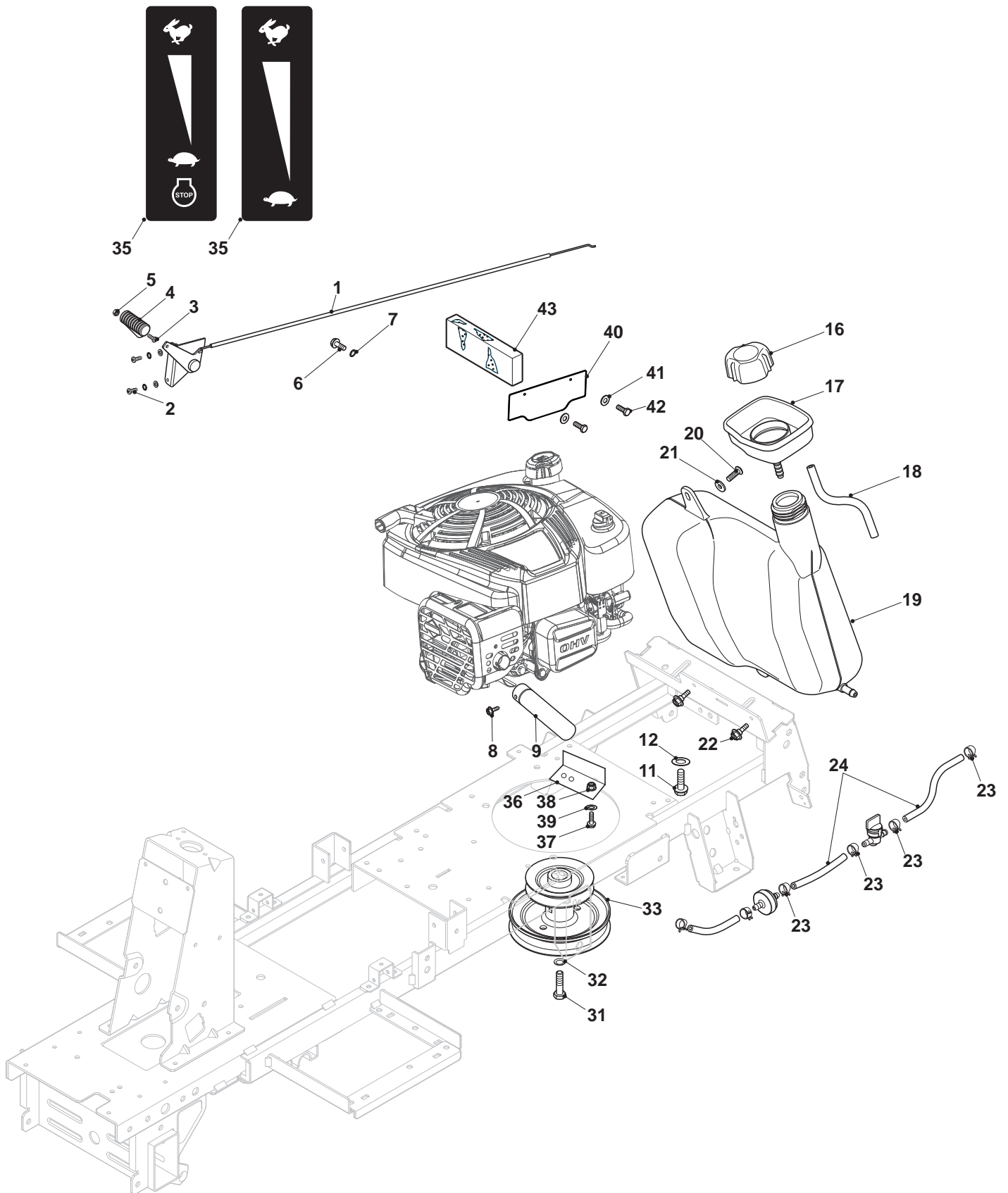


Steering				
POS	CODE	Q.TY	DESCRIPTION	NOTES
1	384180219/0	1	Outfit, Screws	
2	127840055/0	1	Screw	
3	112540260/0	1	Grower	
4	112523070/0	1	Washer	
5	127160060/0	1	Extension column	
6	325785419/0	1	Steering Wheel Support	
7	125670023/0	2	Washer	
8	122746617/0	1	Joint	
9	112735121/0	2	Screw	
10	327787091/0	1	Joint	
11	384773575/0	1	Front Bracket Support	
12	112620300/0	1	Pin	
13	384520051/0	1	Steering Column	
14	327045074/0	1	Bush	
15	125943004/0	2	Screw	
16	112620210/0	2	Elastic Pin	
17	127034091/0	2	Rod	
18	112521350/0	4	Washer	
19	327045072/0	4	Bush	
20	384230411/0	1	Left Stub Axle	
21	384230409/0	1	Right Stub Axle	
22	124487995/0	4	Cotter Pin	
23	327869061/0	1	Pipe	
24	127047019/0	4	Bush	
25	112000970/0	2	Ring (Benzing)	
26	112794950/0	1	Screw	
27	112523080/0	2	Washer	
28	127160062/0	1	Spacer	
29	112585100/0	1	Washer	
30	112295200/0	1	Hexagonal Nut	
31	327580500/0	2	Plate	
32	112791200/1	2	Screw	
33	327772199/0	1	Front Bracket	
34	112292102/0	2	Nut	
35	112791200/1	4	Screw	
36	112292102/0	4	Nut	
37	112735122/0	4	Screw	
38	384783061/0	1	Footboard Support	
39	127275000/0	1	Grommet	
40	112735122/0	4	Screw	
41	327772165/1	1	Bracket	
42	112792611/0	4	Screw	
43	384783059/0	1	Forecarriage Support	
44	112293201/0	4	Nut	
45	112791200/1	2	Screw	
46	327772209/0	1	Bracket	
47	112292102/0	2	Nut	
51	127294009/0	1	Belt Guide	
52	127294010/1	2	Belt Guide	
53	112292102/0	8	Nut	
54	112154510/0	1	Nut	
55	112521330/0	1	Washer	
56	124487997/0	1	Cotter Pin	
61	112000970/0	2	Ring (Benzing)	
62	112521390/0	2	Washer	
63	384680074/0	2	Front Wheel	Wheels Type A
64	125590000/0	2	Front Tyre	
65	184044015/0	2	Tyre	Wheels Type A
66	125590018/0	2	Tyre	Wheels Type A
67	112001010/0	2	Benzing Ring	
68	125670005/2	4	Washer	

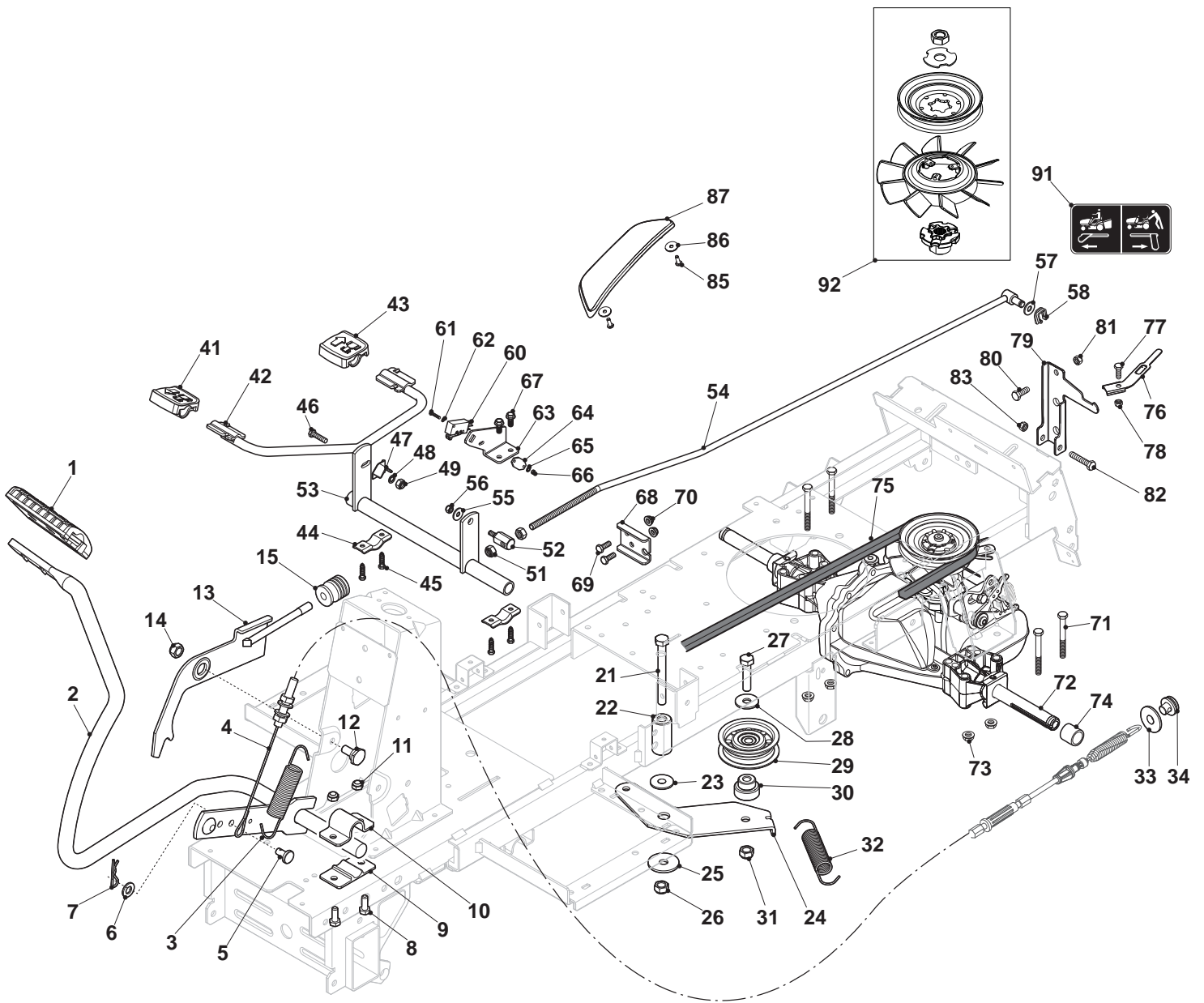




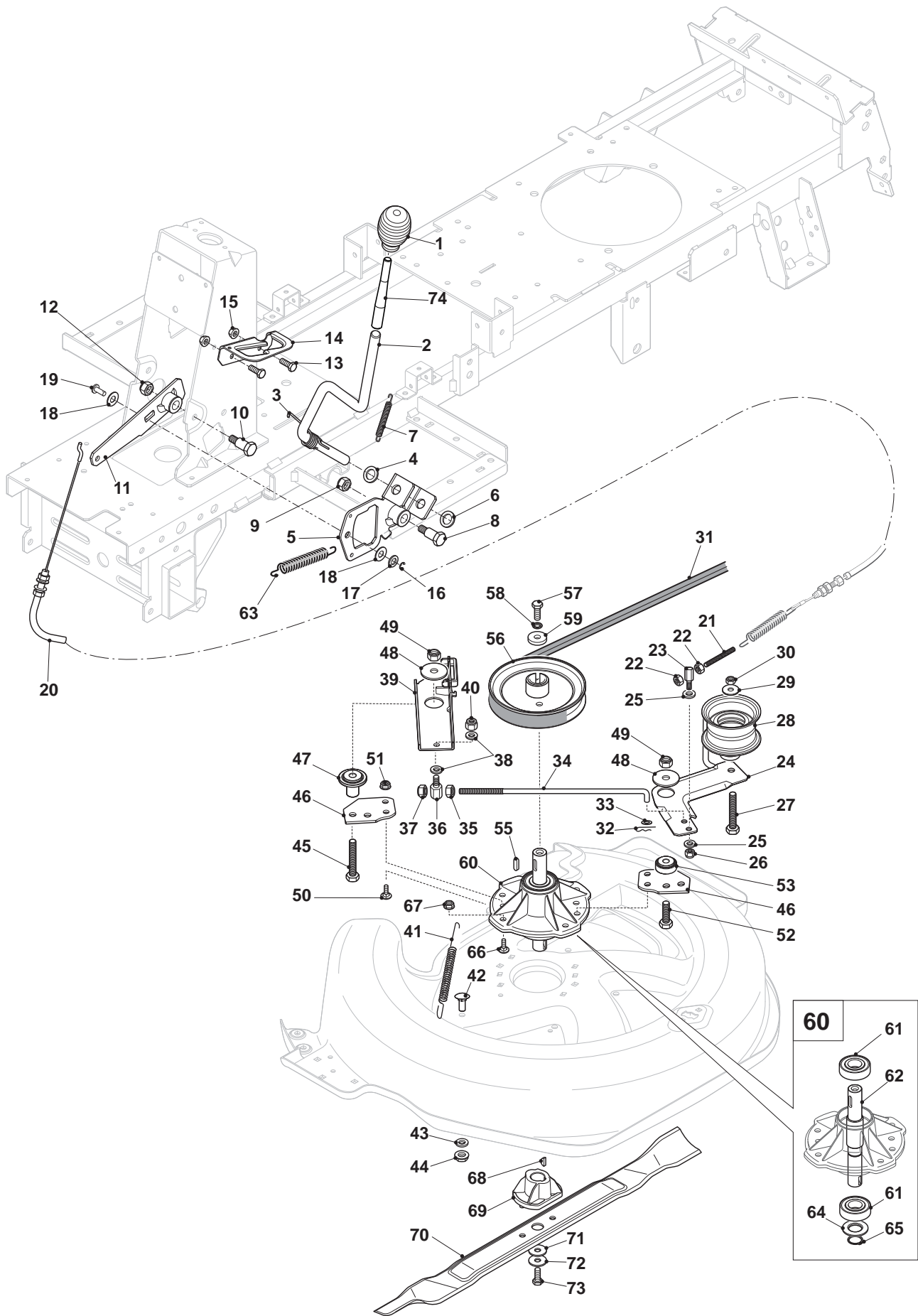
<b>Steering</b>				
<b>POS</b>	<b>CODE</b>	<b>Q.TY</b>	<b>DESCRIPTION</b>	<b>NOTES</b>
69	184044013/0	2	Rimm	
70	125590000/0	2	Front Tyre	
71	127590068/0	2	Tyre	Wheels Type A
72	384680076/0	2	Rear Wheel	Wheels Type A



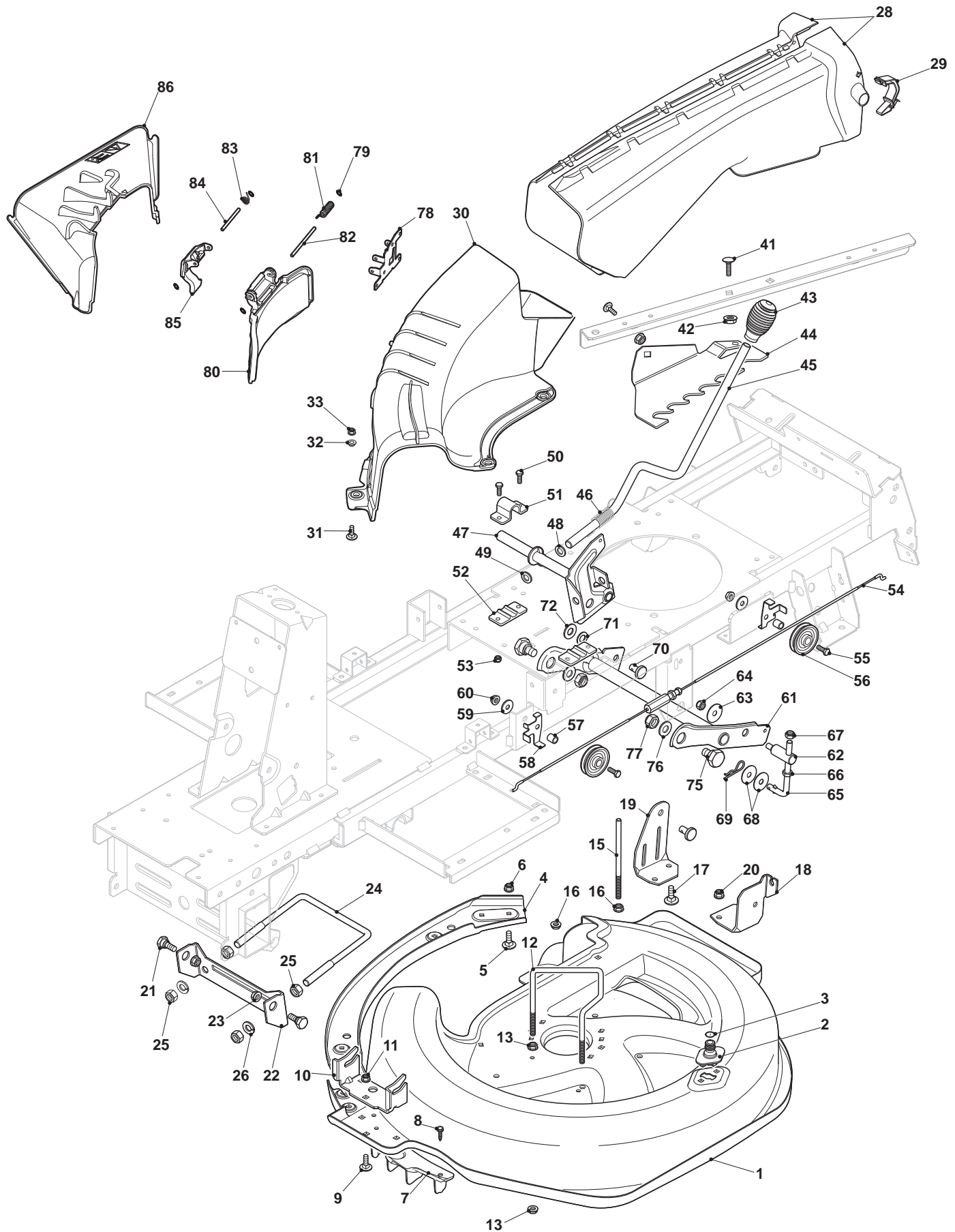
Engine B&S				
POS	CODE	Q.TY	DESCRIPTION	NOTES
1	184000256/0	1	Throttle Cable	
2	125943012/0	2	Screw	
3	112726388/0	1	Screw	
4	125394501/0	1	Knob	
5	112290800/0	1	Hexagonal Nut	
6	112735599/0	1	Screw	
7	112540040/0	1	Washer	
8	112735110/0	1	Screw	
9	118738252/0	1	Pipe	
11	112735108/1	3	Screw	
12	112540070/0	3	Washer	
16	127790000/1	1	Screw	
17	327600180/0	1	Washer	
18	327869054/1	1	Self-Locking Nut	
19	327733008/0	1	Fuel Cap	
20	112727801/0	1	Tank Protection	
21	112523040/0	1	Washer	
22	125943010/0	2	Fuel Tank	
23	118375051/1	4	Screw	
24	325869035/1	1	Washer	
31	112736850/0	1	Screw	
31	112735694/0	1	Fair Led	
32	112543000/0	1	Connecting Tube	
33	384601500/0	1	Screw	
35	114366874/0	1	Washer	
35	114366873/0	1	Pulley	
37	112791200/1	1	Label	
39	122675110/0	1	Clamp	
40	327730001/0	1	Plastic Intake Separator	
41	112521460/0	2	Screw	
42	112731580/0	2	Washer	
43	127730000/0	1	Sponge Intake Separator	



Trasmissione Hydro				
POS	CODE	Q.TY	DESCRIPTION	NOTES
1	325110409/0	1	Clamp Cover	
2	384503013/0	1	Pedal	
3	127430594/0	1	Spring	
4	384004604/0	1	Wire	
5	127510120/0	1	Pin	
6	112521350/0	1	Washer	
7	124487997/0	1	Cotter Pin	
8	112791400/0	4	Screw	
9	325785350/0	2	Support	
10	325547231/0	2	Plate	
11	112154510/0	4	Nut	
12	122524970/3	1	Pin	
13	384002097/0	1	Brake Control Rod	
14	112154210/0	1	Self-Locking Nut	
15	127395050/1	1	Knob	
21	112691900/0	1	Screw	
22	127160065/0	1	Spacer	
23	122041980/0	1	Bush	
24	327315139/0	1	Tightener Lever	
25	112523070/0	1	Washer	
26	112155000/0	1	Nut	
27	112691115/0	1	Screw	
28	112523060/0	1	Washer	
29	127604015/0	1	Pulley	
30	127160064/0	1	Spacer	
31	112155000/0	1	Nut	
32	127430594/0	1	Spring	
33	112521360/0	1	Washer	
34	127510124/0	1	Pin	
41	325110274/0	1	Clamp Cover Front	
42	384503011/0	1	Drive Pedal	
43	325110331/0	1	Clamp Cover Rear	
44	327546015/2	2	Plate	
45	112731350/0	4	Screw	
46	112791400/0	1	Screw	
47	127063022/0	1	Plastic Neutral Switch	
48	112521330/0	1	Washer	
49	112154510/0	1	Nut	
51	112155000/0	1	Nut	
52	127510103/0	1	Pin	
53	112293200/0	1	Hexagonal Nut	
54	384002095/0	1	Rod	
55	112523040/0	1	Washer	
56	112154510/0	1	Nut	
57	325670011/0	1	Antifriction Washer	
58	112436050/0	1	Plate	
60	119410609/0	1	Micro Switch	
61	112735602/0	2	Screw	
62	112581100/0	2	Grower	
63	327543053/1	1	Backup Plate	
64	327546019/0	1	Neutral Switch Fixing Plate	
65	112540020/0	2	Washer	
66	112290791/0	2	Hexagonal Nut	
67	112735122/0	2	Screw	
68	327772223/0	1	Bracket	
69	112791200/1	2	Screw	
70	112292102/0	2	Nut	
71	112691600/0	4	Screw	
72	118400980/0	1	Transmission Unit (HY)	
73	112154210/0	4	Self-Locking Nut	
74	127160063/0	2	Spacer	
75	135061429/0	1	Belt	
76	327315137/0	1	Lever	
77	112791011/0	1	Screw	

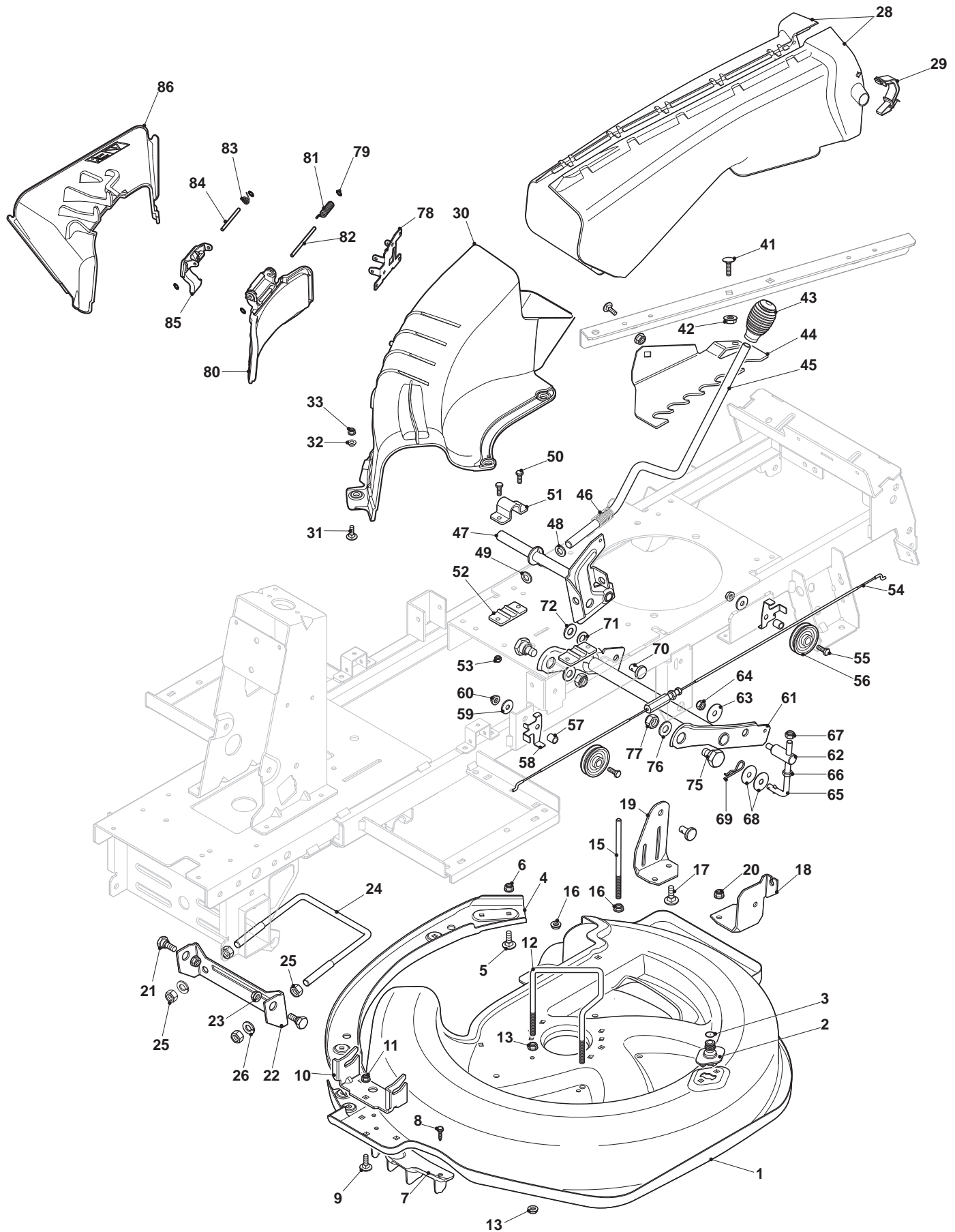


Trasmissione Hydro				
POS	CODE	Q.TY	DESCRIPTION	NOTES
78	112154510/0	1	Nut	
79	327772187/0	1	Rear Bracket Support	
80	112792611/0	1	Screw	
81	112155000/0	1	Nut	
82	112691400/0	1	Screw	
83	112155000/0	1	Nut	
85	112735110/0	2	Screw	
86	112523030/0	2	Washer	
87	327110507/0	1	Cover	
91	114361451/0	1	Label	
92	118802722/0	1	Fan Kit	

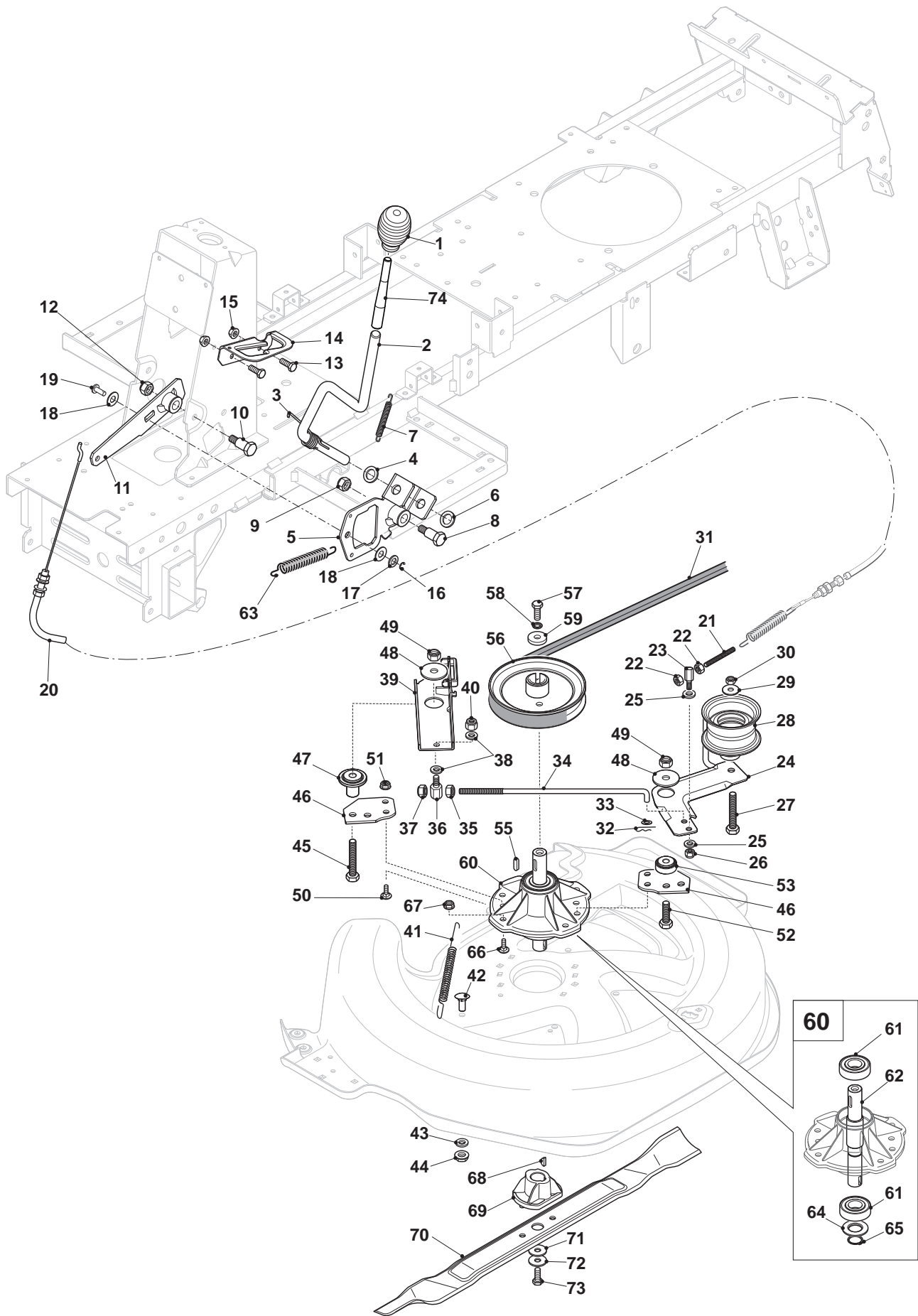




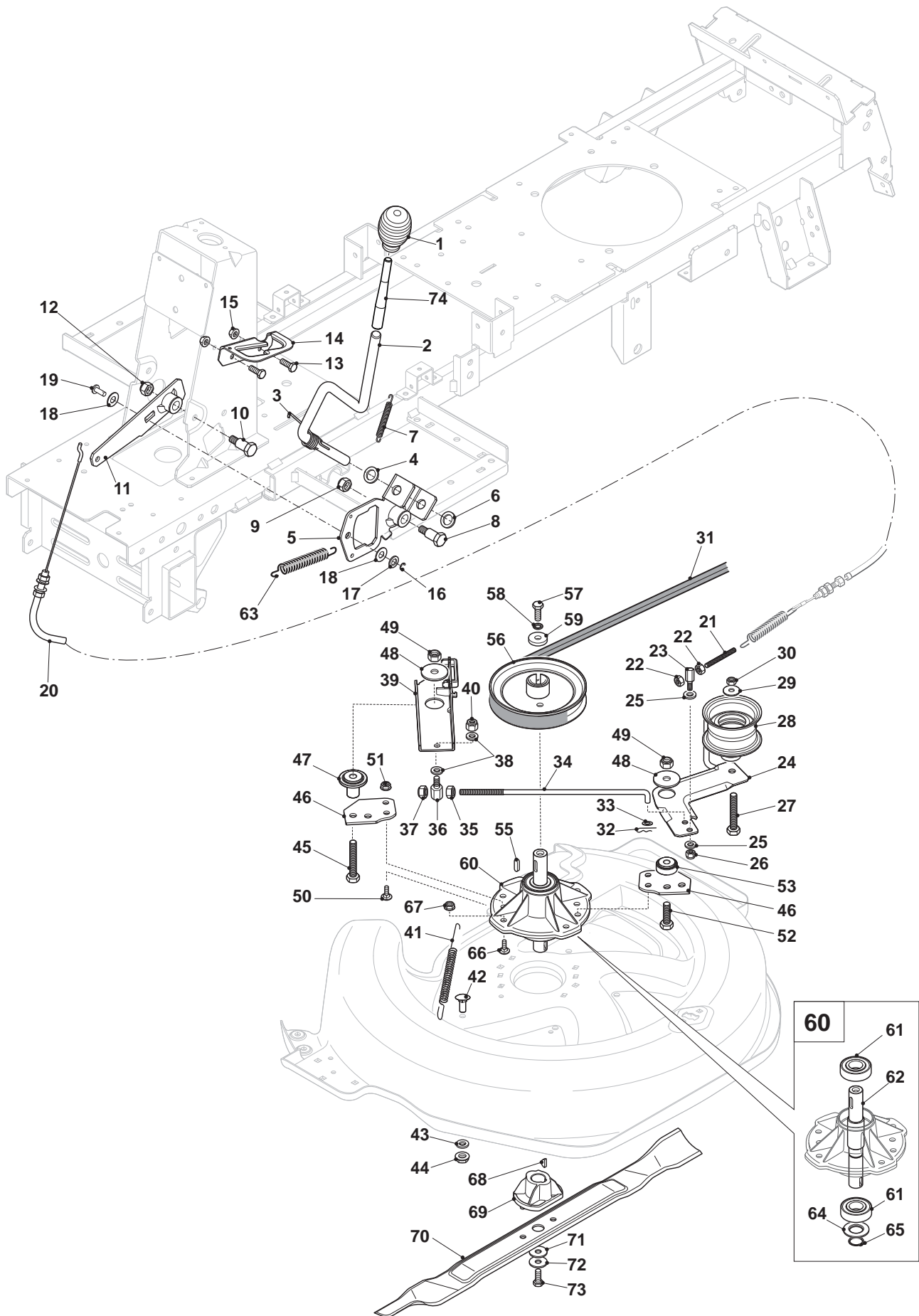
Cutting Plate and Lifting for 4 in 1				
POS	CODE	Q.TY	DESCRIPTION	NOTES
1	384564114/0	1	Cutting Plate, Black	
2	325033086/0	1	Water Hose Connection	
3	119035000/0	1	O.R. Ring	
4	384650107/0	1	Stiffening	
5	112815200/0	4	Screw	
6	112292102/0	4	Nut	
7	327488001/0	1	Front Combi	
8	112735402/0	3	Screw	
9	112818690/0	3	Screw	
10	327772175/0	1	Front Bracket	
11	112154210/0	3	Nut	
12	127294008/0	1	Belt Guide	
13	112292102/0	4	Nut	
15	127580077/0	1	Belt Guide	
16	112293201/0	2	Nut	
17	112818690/0	4	Screw	
18	327772179/0	1	Bracket, Left	
19	327772177/0	1	Bracket, Right	
20	112154210/0	4	Nut	
21	127510121/0	2	Plate	
22	327543043/0	1	Plate	
23	112154210/0	2	Nut	
24	127840056/0	1	Front Tie Rod	
25	112293200/0	4	Hexagonal Nut	
26	112585100/0	2	Washer	
28	384108054/0	1	Conveyor	
29	325774499/0	2	Clamp	
30	327107504/0	1	Conveyor	
31	112815200/0	4	Screw	
32	325160039/0	4	Spacer	
33	112292102/0	4	Nut	
41	112818690/0	2	Screw	
42	112293200/0	2	Hexagonal Nut	
43	125394510/0	1	Knob	
44	327734063/0	1	Sector, Height Adjustment	
45	327107504/0	1	Conveyor	
46	127430595/0	1	Spring	
47	384001035/1	1	Fulcrum Axle	
48	112521370/0	1	Washer	
49	122020050/0	1	Ring	
50	112791400/0	4	Screw	
51	325547231/0	2	Plate	
52	325785350/0	2	Support	
53	112154510/0	4	Nut	
54	384004600/0	1	Lifting Wire	
54	384004605/0	1	Lifting Wire	
55	112691100/0	2	Screw	
56	125601579/0	2	Pulley	
57	125040636/1	2	Bush	
58	327543037/0	2	Guide Shoe	
59	112523060/0	2	Washer	
60	112293201/0	2	Nut	
61	384001037/0	1	Axle	
62	127510125/0	1	Pin	
63	322672152/0	1	Antifriction Washer	
64	112155000/0	2	Nut	
65	127840057/0	1	Tie Rod	
66	112295200/0	4	Hexagonal Nut	
68	322672152/0	2	Antifriction Washer	
69	125110803/0	1	Cotter pin	
70	127510114/0	1	Pin	
71	325670008/1	1	Washer	
72	112521360/0	1	Washer	



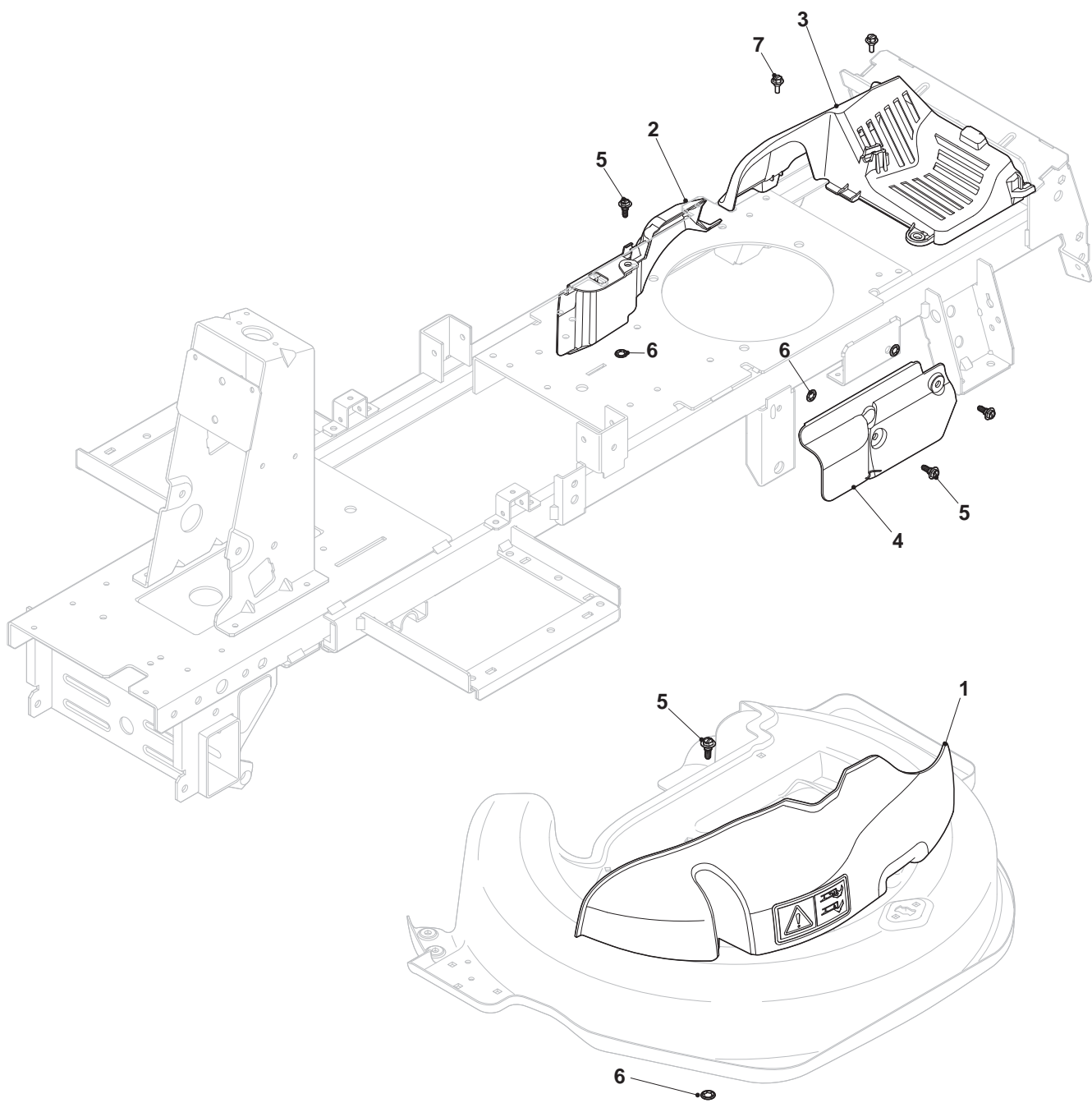
Cutting Plate and Lifting for 4 in 1				
POS	CODE	Q.TY	DESCRIPTION	NOTES
75	127510123/0	2	Pin	
76	112521360/0	2	Washer	
77	112156602/0	2	Nut	
78	327772231/0	1	Bracket	
79	112604896/0	4	Crown Fastener	
80	327486200/0	1	Ejection Guard	
81	122450456/0	1	Stone Guard Spring	
82	127510129/0	1	Pin	
83	127430599/0	1	Spring	
84	127510128/0	1	Pin	
85	327745000/0	1	Safety Device	
86	327107506/0	1	Conveyor	



Blades Engagement				
POS	CODE	Q.TY	DESCRIPTION	NOTES
1	125394510/0	1	Knob	
2	327315149/0	1	Lever	
3	127430595/0	1	Spring	
4	112521370/0	1	Washer	
5	384317099/0	1	Lever	
6	122020050/0	1	Ring	
7	125430208/1	1	Spring	
8	127510122/0	1	Bracket	
9	112154210/0	1	Self-Locking Nut	
10	127510122/0	1	Bracket	
11	384773577/0	1	Bracket	
12	112154210/0	1	Self-Locking Nut	
13	112815200/0	2	Screw	
14	327734065/0	1	Sector	
15	112292102/0	2	Nut	
16	112000930/0	1	Benzing Ring	
17	112521350/0	1	Washer	
18	325670011/0	2	Antifriction Washer	
19	125510085/1	1	Pin	
20	384004606/0	1	Blades Engagement Wire	
21	127840058/1	1	Spring	
22	112293200/0	2	Hexagonal Nut	
23	127510126/0	1	Pin	
24	384307001/0	1	Tightener Lever	
25	325670011/0	2	Antifriction Washer	
26	112155000/0	1	Nut	
27	112691600/0	1	Screw	
28	127604008/0	1	Pulley	
29	112523060/0	1	Washer	
30	112155000/0	1	Nut	
31	135061428/0	1	Belt	
32	124487995/0	1	Cotter Pin	
33	325670011/0	1	Antifriction Washer	
34	127034085/0	1	Rod	
35	112293200/0	1	Hexagonal Nut	
36	127510126/0	1	Pin	
37	112155000/0	1	Nut	
38	325670011/0	2	Antifriction Washer	
39	384220505/0	1	Blade Brake	
40	112155000/0	1	Nut	
41	127430592/0	1	Spring	
42	112818690/0	1	Screw	
43	112521350/0	1	Washer	
44	112293201/0	1	Nut	
45	112692395/1	1	Screw	
46	327772191/0	2	Bracket	
47	127047021/0	1	Bush	
48	112523090/0	2	Washer	
49	112155020/0	2	Self-Locking Nut	
50	112818700/0	4	Screw	
51	112154210/0	4	Self-Locking Nut	
52	112794400/0	1	Screw	
53	127047017/0	1	Bush	
55	112139480/0	1	Feather	
56	127604014/0	1	Pulley	
57	112793102/0	1	Screw	
58	112583500/0	1	Grower	
59	125670007/0	1	Washer	
60	384207251/0	1	Blade Shaft Support	
61	119216040/0	2	Bearing	
62	127023003/0	1	Shaft	
63	125430259/0	1	Spring	
64	325160501/0	1	Dust Cover Disc	
65	112609260/0	1	Seeger	

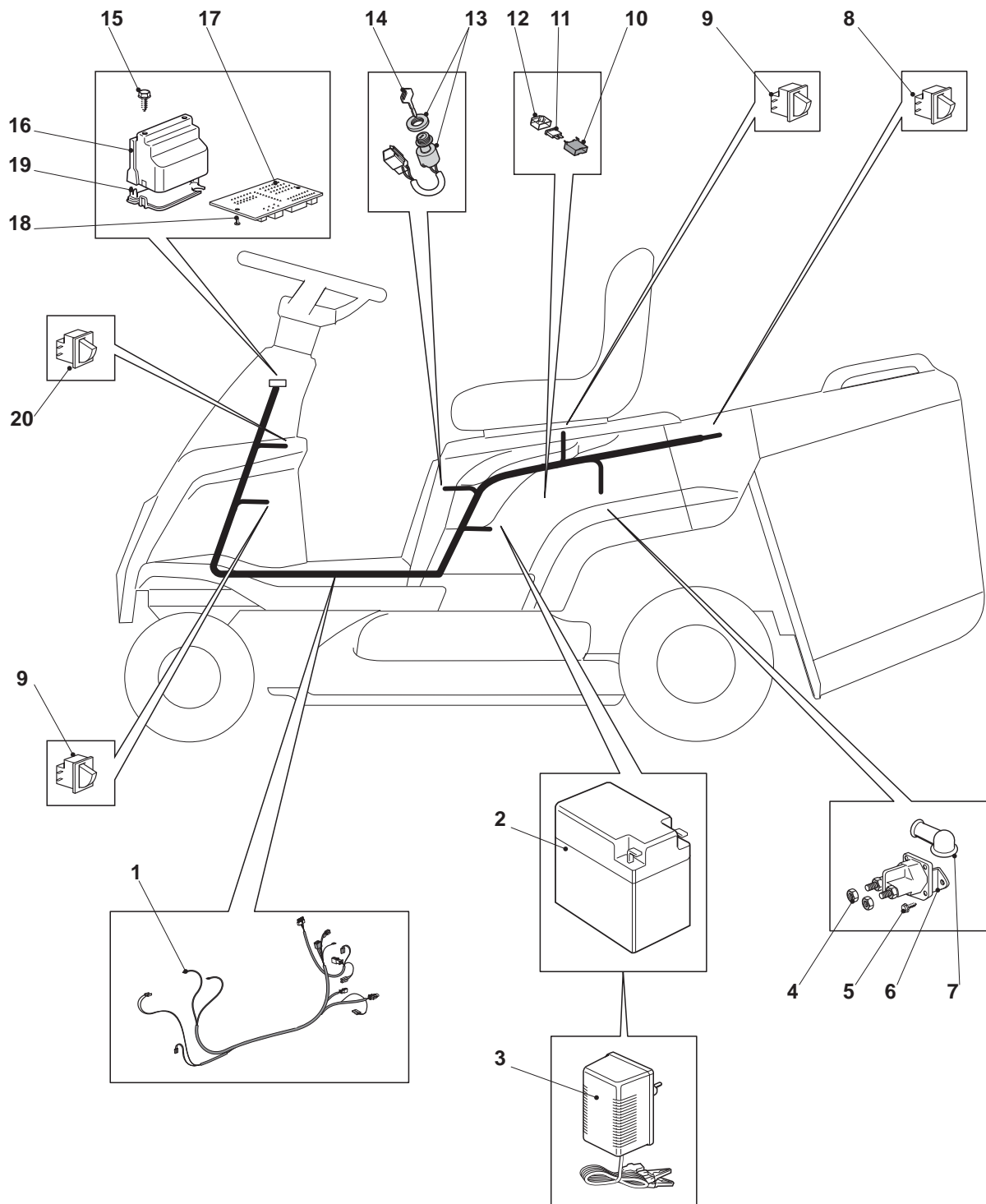


Blades Engagement				
POS	CODE	Q.TY	DESCRIPTION	NOTES
66	112818700/0	4	Screw	
67	112154210/0	4	Self-Locking Nut	
68	112139100/0	1	Key 4X6,5 D=16 Uni6606 C40	
69	125463200/0	1	Blade Hub	
70	184109505/0	1	Blade	
71	112508125/0	1	Spring	
72	112523080/0	1	Washer	
73	112735694/0	1	Screw	

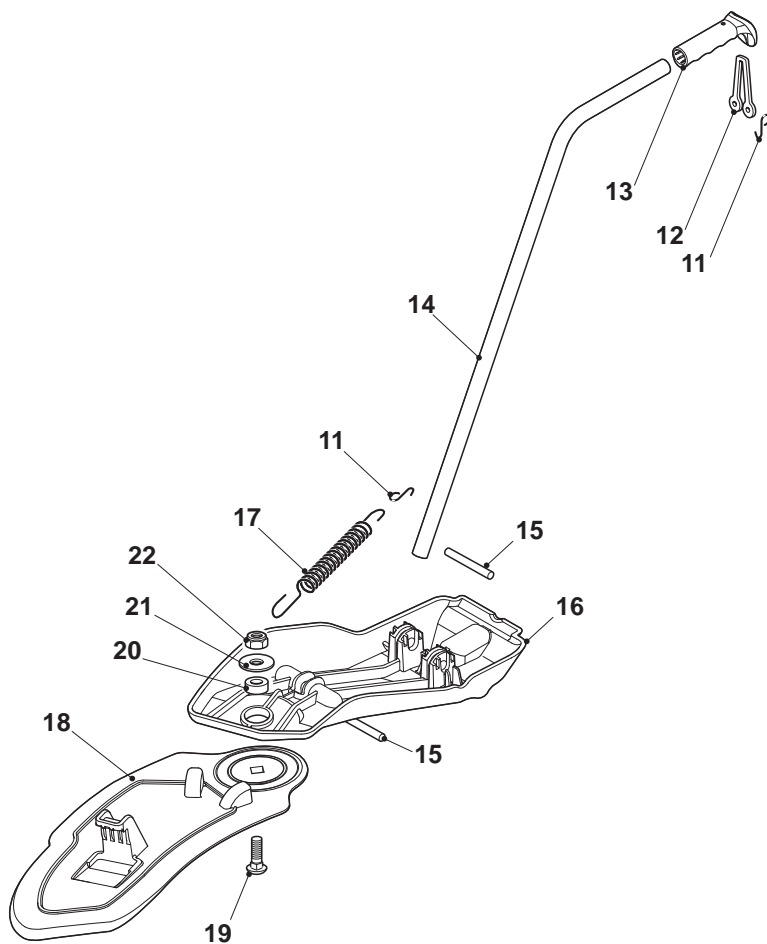
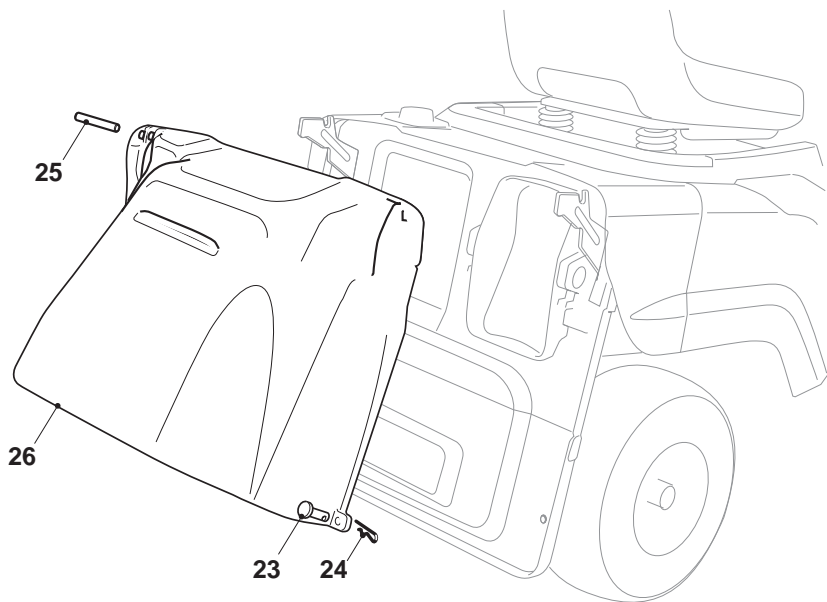
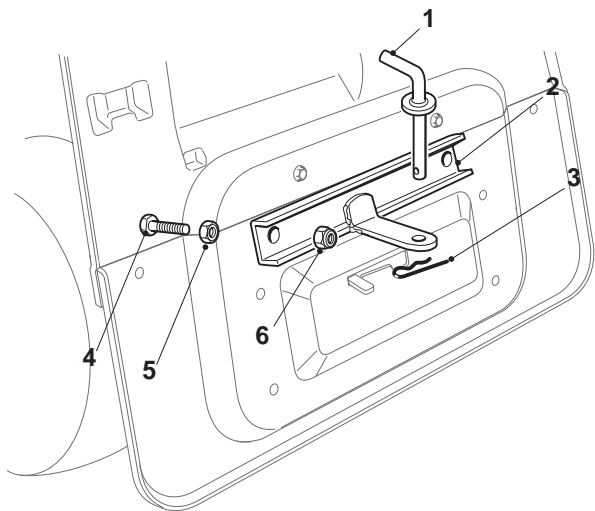




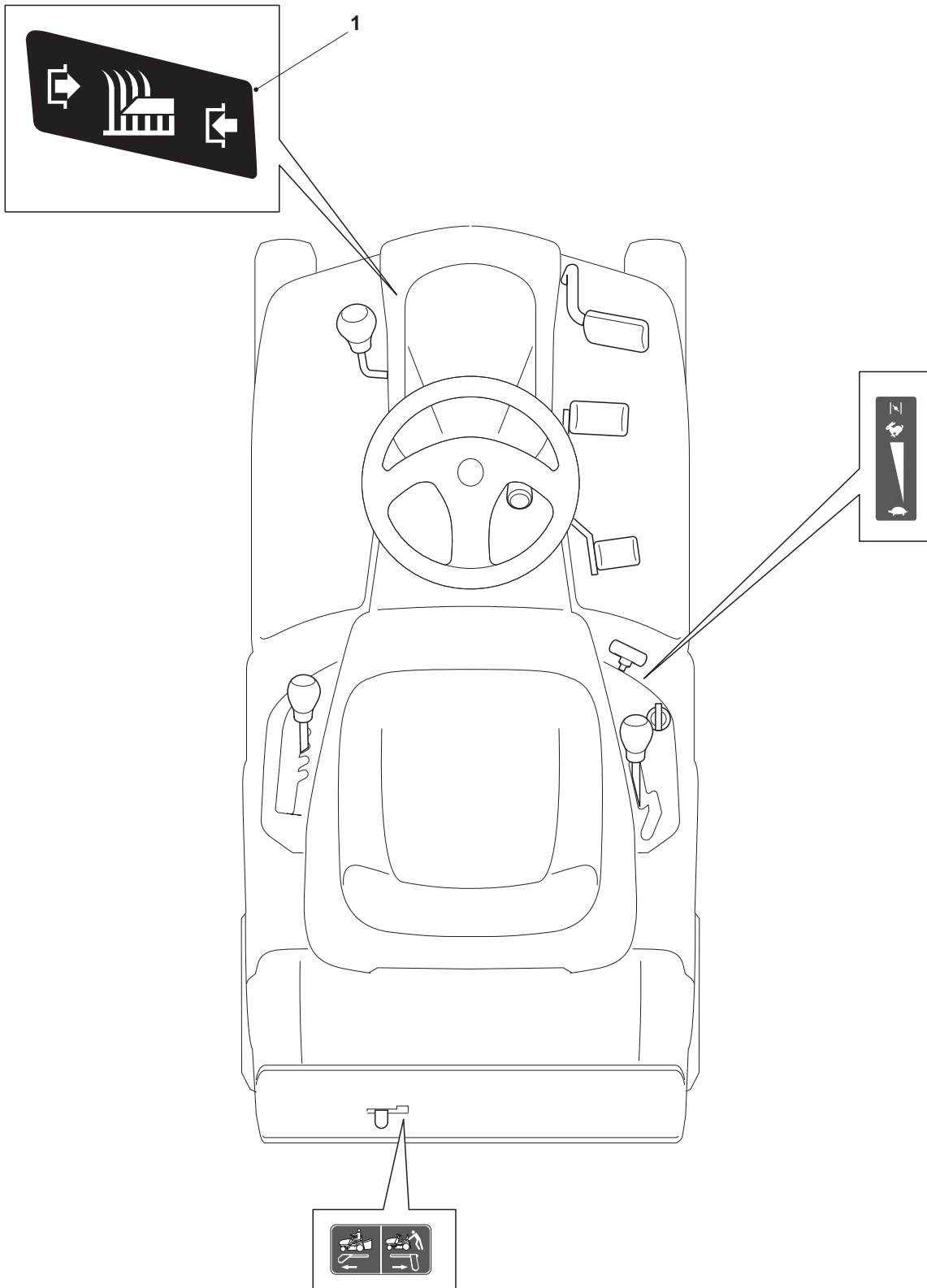
<b>Guards</b>				
<b>POS</b>	<b>CODE</b>	<b>Q.TY</b>	<b>DESCRIPTION</b>	<b>NOTES</b>
1	327060111/1	1	Protection Carter	
2	327060109/0	1	Right Belt Protection Carter	
3	327060108/1	1	Transmission Plate Protection	
4	327060110/0	1	Left Belt Protection Carter	
5	125943011/0	5	Screw	
6	112604899/0	4	Crown Fastener	
7	125943010/0	2	Screw	



Electric Start				
POS	CODE	Q.TY	DESCRIPTION	NOTES
1	184040132/1	1	Cables Ass.Y	
2	118120012/0	1	Battery	
3	182180051/0	1	Battery Charger Kit	
3	182180053/0	1	Battery Charger 0,2A (Uk)	
4	112360352/0	2	Nut	
5	112735110/0	2	Screw	
6	118736110/0	1	Starter Relay	
7	118564861/1	2	Protection	
8	119410618/0	1	Micro Switch	
9	119410606/0	2	Micro Switch	
10	133500007/0	1	Fuse Carrier	
11	133340040/0	1	Lamellar Fusible 10A	
12	133215000/0	1	Cover	
13	118450075/1	1	Starting Switch	
14	118210023/0	1	Starting Key	
15	112728711/0	2	Screw	
16	127600119/0	1	Electronis Card Upper Protecti	
17	127722354/1	1	Electronic Card EI63	
18	112729601/1	2	Screw	
19	127600118/0	1	Electronic Card Lower Protecti	
20	119410614/0	1	Micro Switch	



Accessories				
POS	CODE	Q.TY	DESCRIPTION	NOTES
1	125510021/1	1	Hitch Pin	
2	382033109/0	1	Rod	
3	124487999/0	1	Spring Pin	
4	112794300/0	2	Screw	
5	112295200/0	2	Hexagonal Nut	
6	112156602/0	2	Nut	
11	125253004/0	3	Mulch.Kit Fixing Hook	
12	125840011/1	1	Tie Rod	
13	325280000/1	1	Handgrip	
14	327394003/2	1	Handle	
15	127510116/0	2	Pin	
16	327140058/0	1	Deflector, Rear	
17	125430218/1	1	Spring	
18	327140057/0	1	Deflector, Front	
19	112818700/0	1	Screw	
20	127047013/0	1	Bush	
21	322672152/0	1	Antifriction Washer	
22	112155000/0	1	Nut	
23	125510022/1	2	Pin	
24	124487998/0	2	Cotter pin	
25	127510127/0	2	Pin	
26	327600181/0	1	Stone Guard, Black	



Electric Start				
POS	CODE	Q.TY	DESCRIPTION	NOTES
1	114366875/0	1	Label	