

Genuine Spare Parts

www.stiga.com

GARDEN COMPACT EV GARDEN COMPACT PRO EV

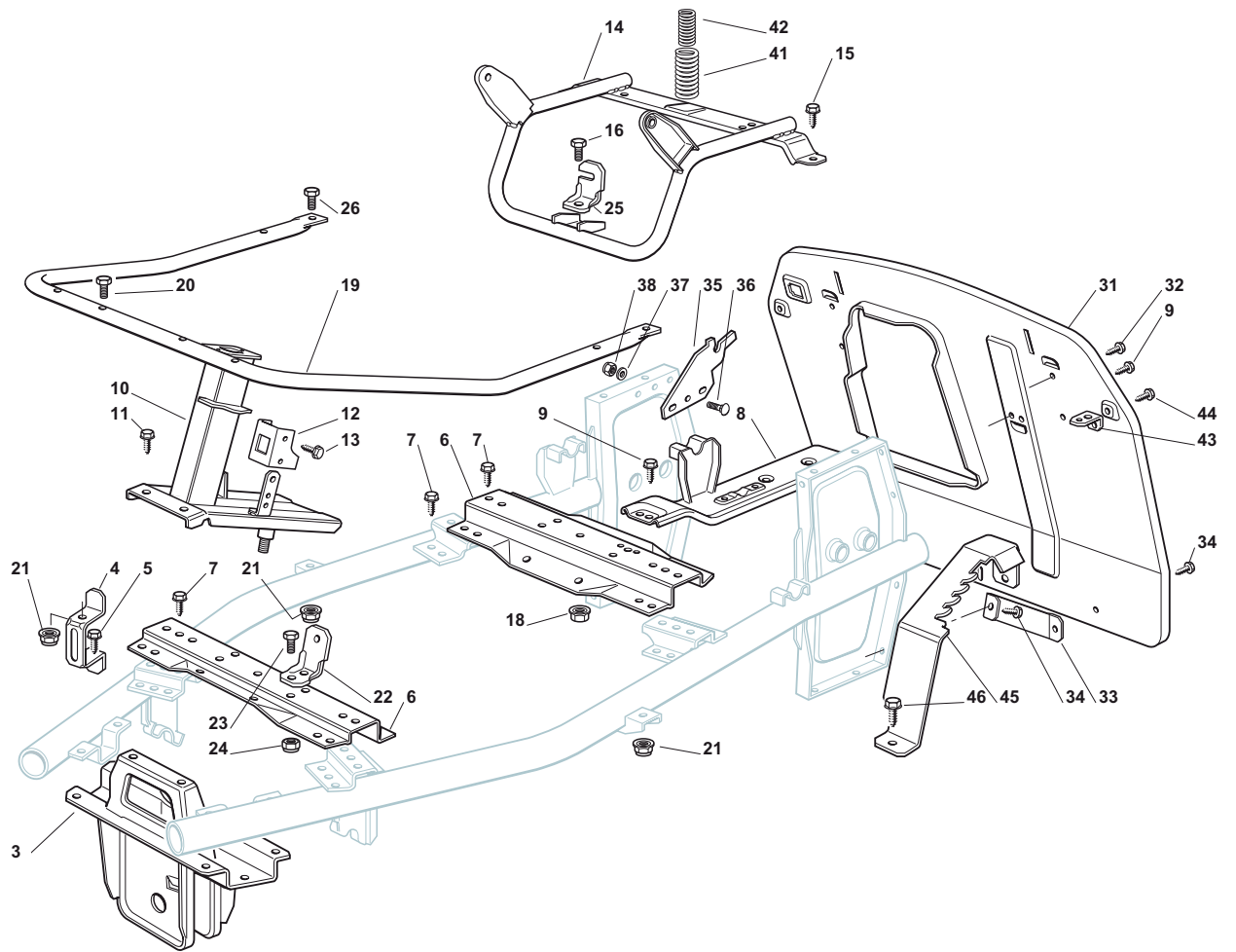
- Use GLOBAL GARDEN PRODUCT Genuine Spare Parts specified in the parts list for repair and/or replacement.
- The contents described in the parts list may change due to improvement.
- The drawings of the spare parts are only indicative and might not represent the part in question exactly.
- The indications "right" - "left" - "front" - "rear" refer to the position of the operator when using the machine.
- When placing orders of parts for repair and/or replacement, make sure that the illustrated parts list is the one applying to the machine's year of manufacture, as shown on the identification plate attached to the machine.

© Copyright 2012 Global Garden Products

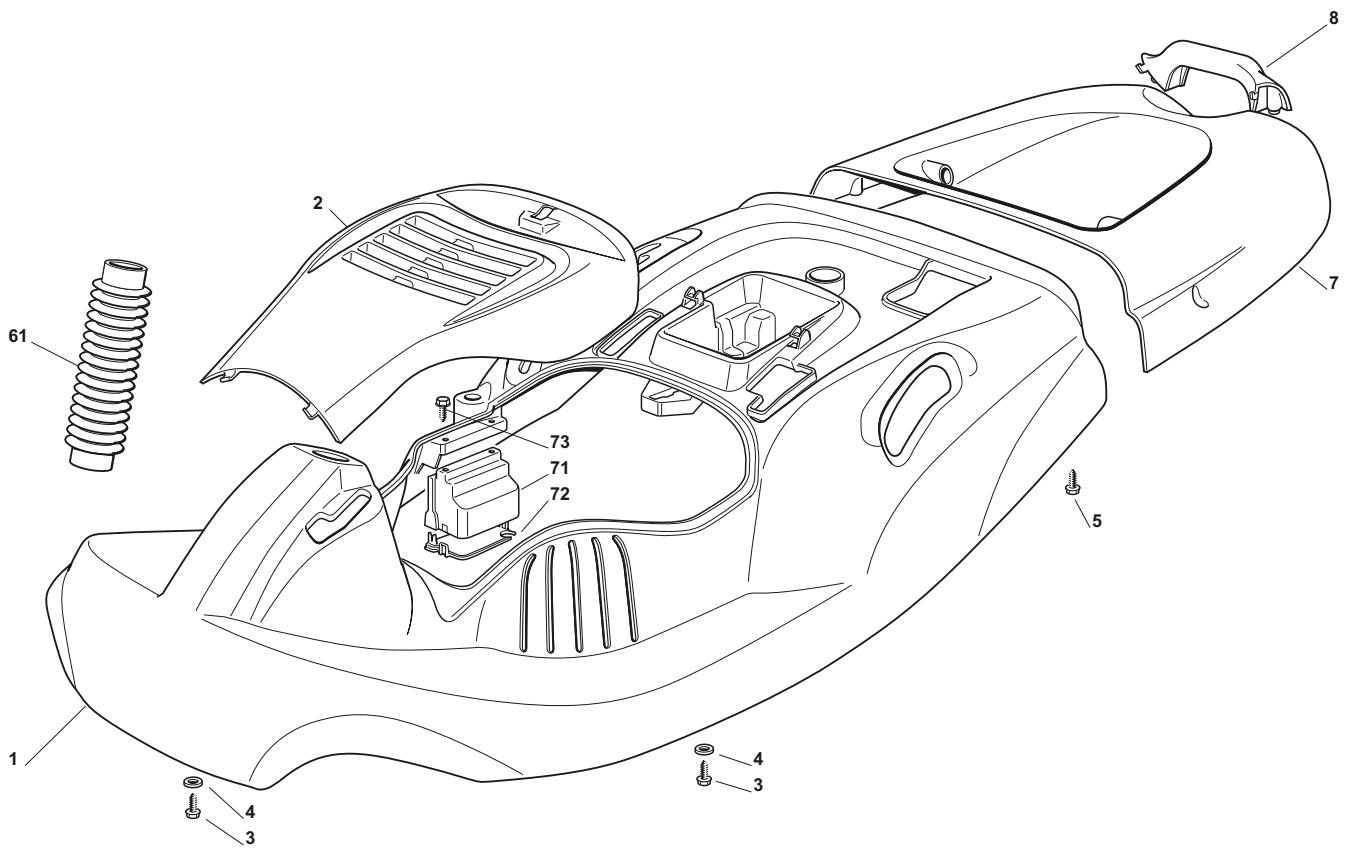
All content is subject to copyright by Global Garden Products and may not be reproduced in whole or in part by any means, electronic or otherwise, without prior written approval.

THIS INFORMATION IS NOT INTENDED FOR SALE OR RESALE, AND THIS NOTICE MUST REMAIN ON ALL COPIES.

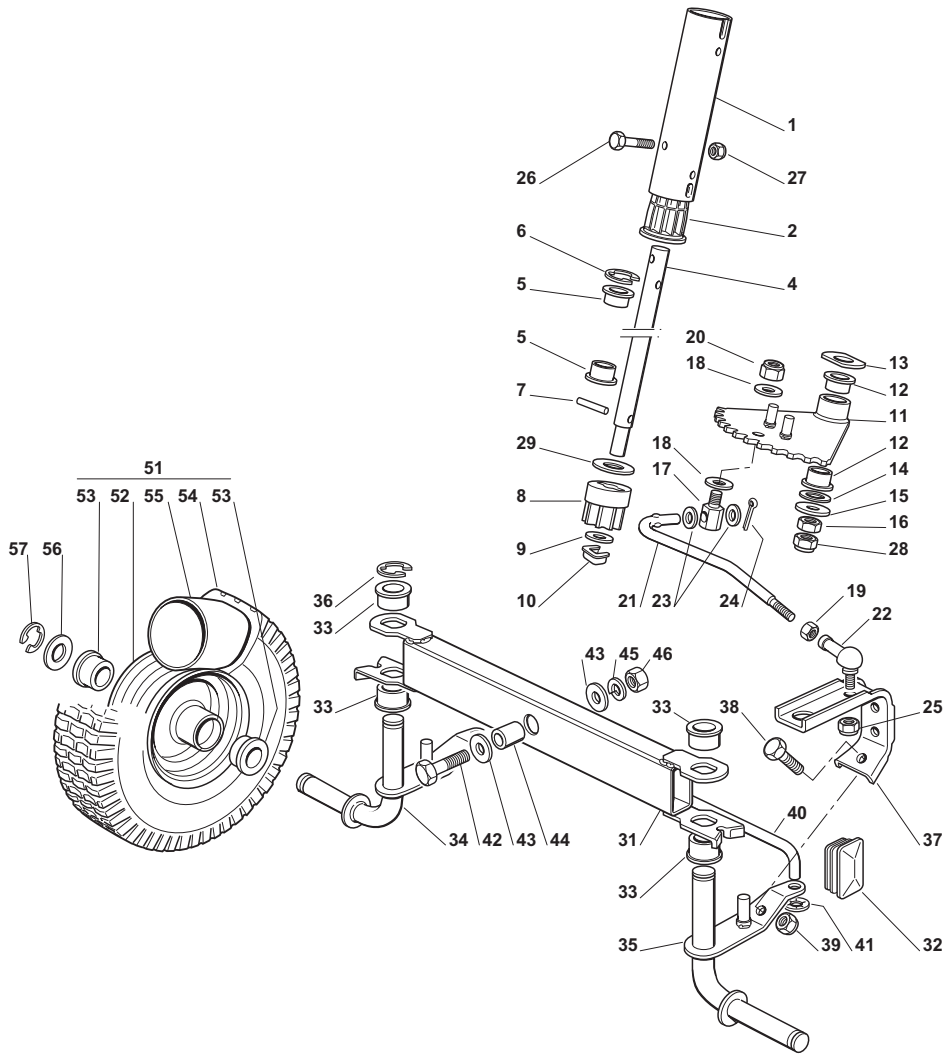




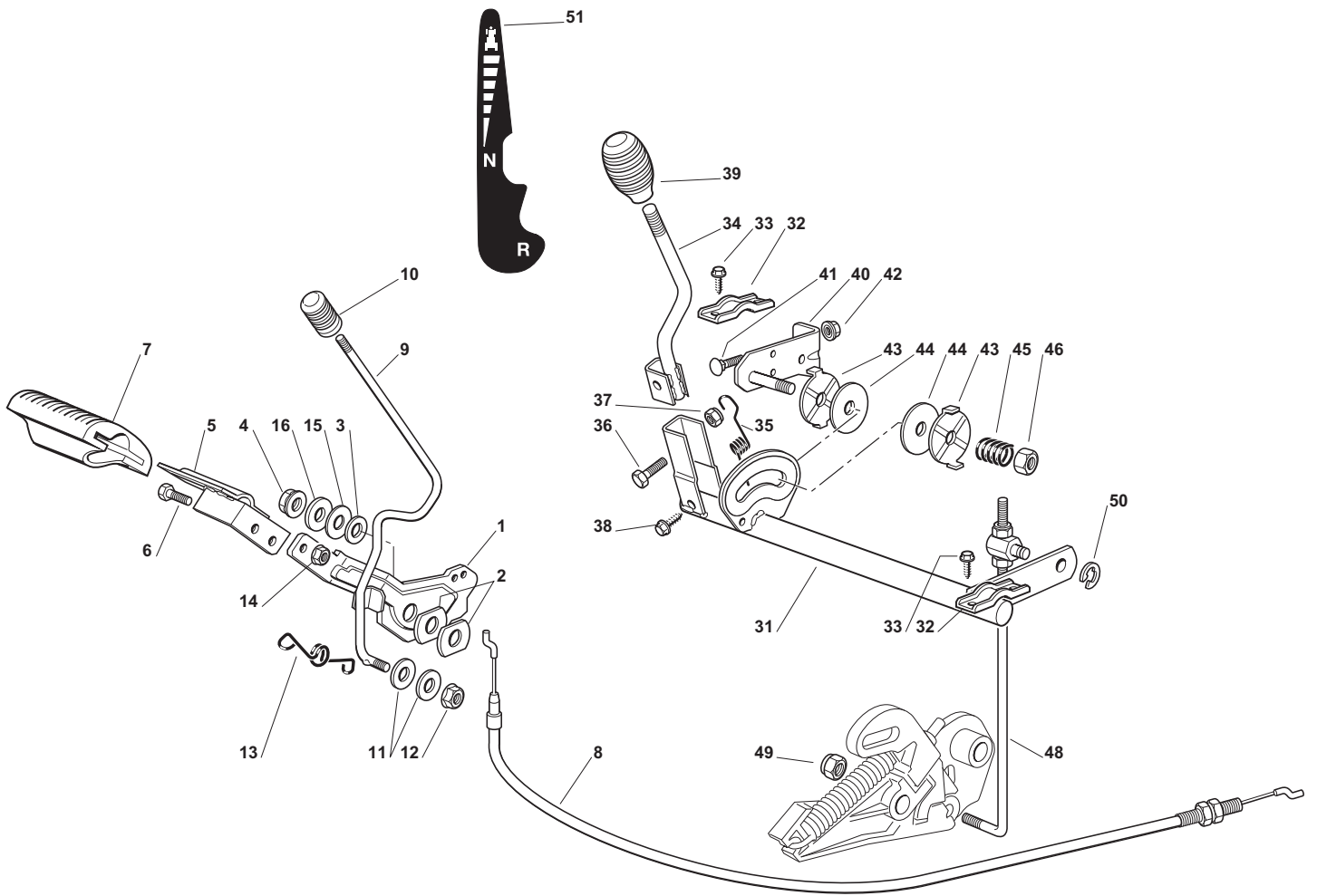
Chassis				
POSITION	CODE	Q.TY	DESCRIPTION	NOTES
3	84783015/1	1	Support	
4	27772121/0	2	Clamp	
5	12735121/0	6	Screw	
6	27650115/1	2	Stiffening	
7	12735121/0	10	Screw	
8	84650105/0	1	Stiffening	
9	12735121/0	4	Screw	
10	84783037/0	1	Support ,(Honda Engine)	
10	384783055/0	1	Support ,(B&S Engine)	
11	12735121/0	6	Screw	
12	27772095/0	1	Support	
13	12735105/0	2	Screw	
14	384801117/2	1	Support	
15	12735121/0	2	Screw	
16	12793701/0	1	Screw	
18	12293201/0	1	Nut	
19	27869057/0	1	Support	
20	12792099/0	2	Screw	
21	12154510/0	4	Nut	
22	27773077/0	1	Angle Bracket	
23	12791011/0	1	Screw	
24	12154510/0	1	Nut	
25	27753081/0	1	Angle Bracket	
26	12791500/0	2	Screw	
31	84545061/0	1	Rear Plate	
32	12735121/0	4	Screw	
33	27650111/0	2	Stiffening	
34	12735121/0	4	Screw	
35	27772131/0	2	Clamp	
36	12818690/0	2	Screw	
37	12521350/0	2	Washer	
38	12155000/0	2	Nut	
41	27430567/0	1	Spring	
42	127430569/2	1	Spring	
43	27753073/0	2	Angle Bracket	
44	12729600/0	2	Screw	
45	27734059/0	1	Rack	
46	12735121/0	2	Screw	



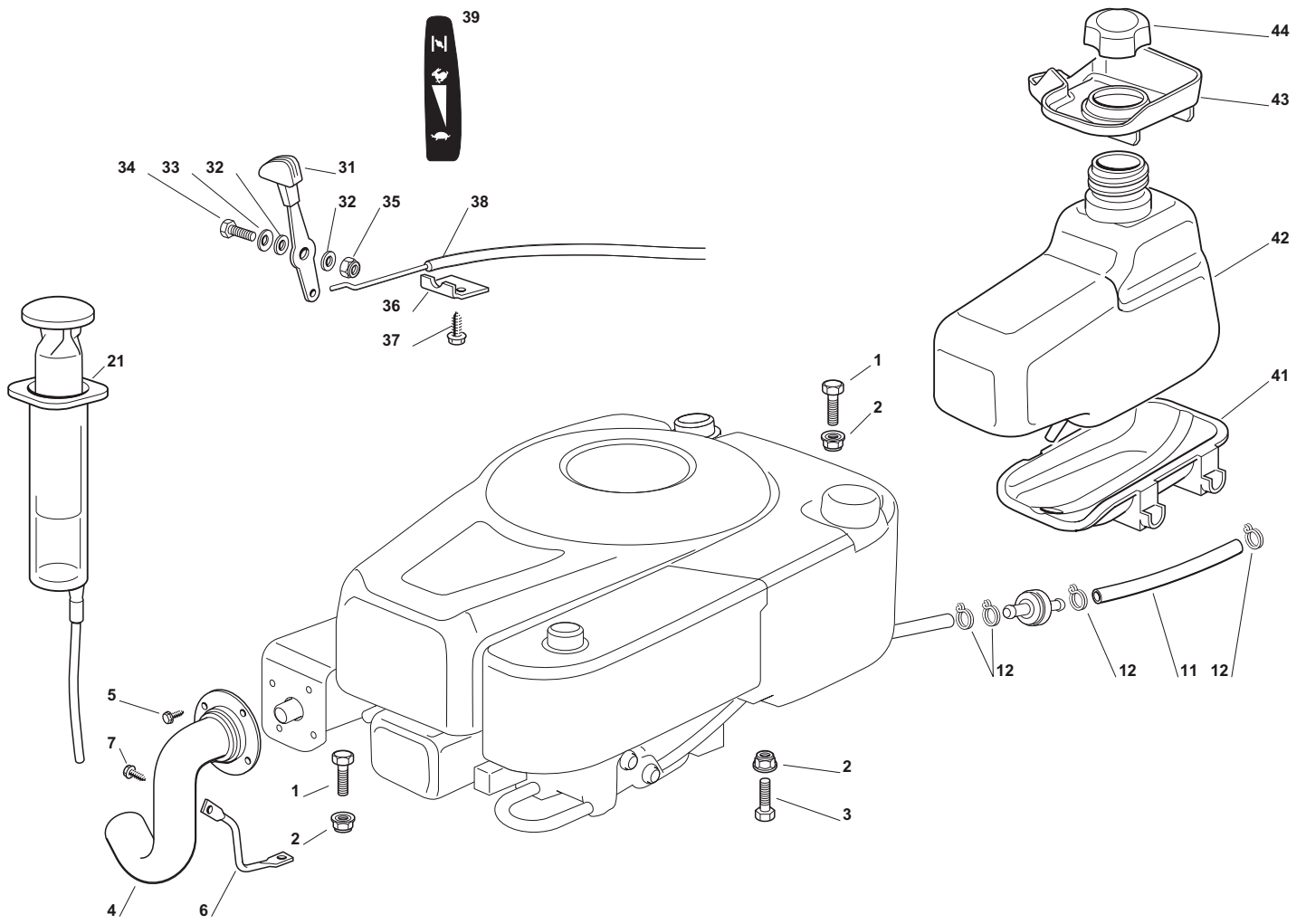
Body				
POSITION	CODE	Q.TY	DESCRIPTION	NOTES
1	27110371/0	1	Wheels Cover Yellow	
2	27110409/0	1	Engine Cover Grey	
3	12735410/0	4	Screw	
4	12523040/0	4	Washer	
5	12735402/0	2	Screw	
7	27110373/0	1	Grass-Catcher Cover, Yellow	
8	27394000/0	1	Handle	
61	27600114/1	1	Guard	
71	27600119/0	1	Guard	
72	27600118/0	1	Guard	
73	12727810/0	2	Screw	



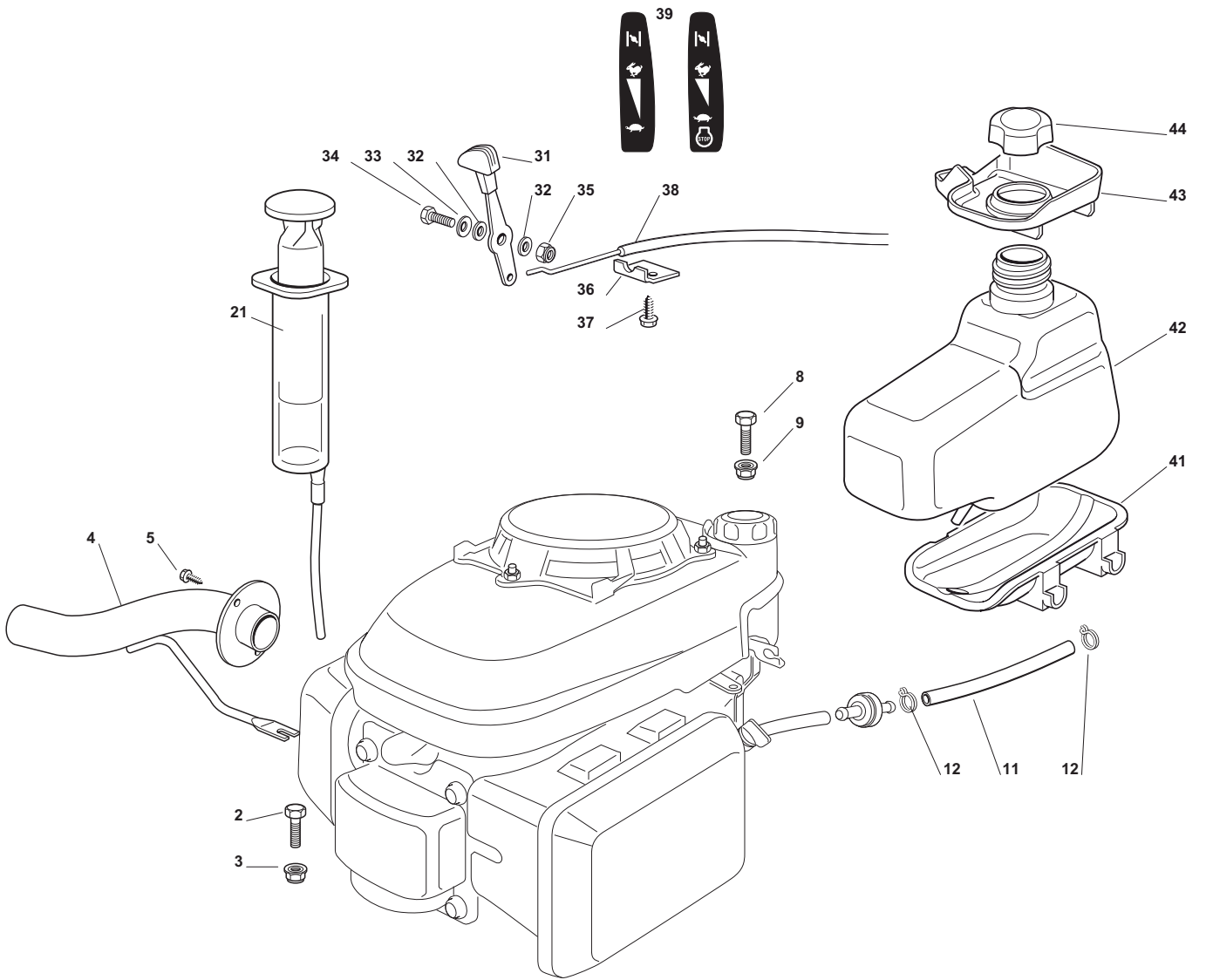
Steering				
POSITION	CODE	Q.TY	DESCRIPTION	NOTES
1	27340305/1	1	Colum Extension	
2	27047005/1	1	Bush	
4	27520052/0	1	Steering Column	
5	27047004/0	2	Bush	
6	12001010/0	1	Snap Ring	
7	12622650/0	1	Pin	
8	27570050/0	1	Pinion	
9	12521370/0	1	Washer	
10	12436030/0	1	Plate	
11	84735553/1	1	Ring Gear	
12	27047004/0	2	Bush	
13	27670054/0	1	Washer	
14	22672152/0	1	Washer	
15	12523070/0	1	Washer	
16	12293200/0	1	Nut	
17	25510056/0	1	Pin	
18	25670008/1	2	Washer	
19	12293200/0	1	Nut	
20	12156602/0	1	Nut	
21	27034066/2	1	Rod	
22	122746610/0	1	Joint	
23	25670008/1	2	Washer	
24	12141418/0	1	Cotter Pin	
25	12155000/0	1	Nut	
26	12689515/0	2	Screw	
27	12154510/0	2	Nut	
28	12155000/0	1	Nut	
29	27670054/0	1	Washer	
31	84034059/0	1	Equalizer	
32	18737852/0	2	Cap	
33	27047004/0	4	Bush	
34	84230405/0	1	Right Stub Axle	
35	84230407/0	1	Left Stub Axle	
36	12000970/0	1	Snap Ring	
37	27787041/0	1	Support	
38	12793102/0	1	Screw	
39	12155000/0	1	Nut	
40	27840051/0	1	Tie Rod	
41	12604899/0	2	Crown Fastener	
42	12692695/0	1	Screw	
43	12523100/0	2	Washer	
44	25160016/0	1	Spacer	
45	12587100/0	1	Grower	
46	12295300/0	1	Nut	
51	84680056/1	2	Front Wheel	
52	84044002/0	2	Rimm	
53	27045070/0	4	Bush	
54	27590058/0	2	Shoe	
55	27590056/0	2	Inner Tube	
56	12521390/0	2	Washer	
57	12000970/0	2	Snap Ring	



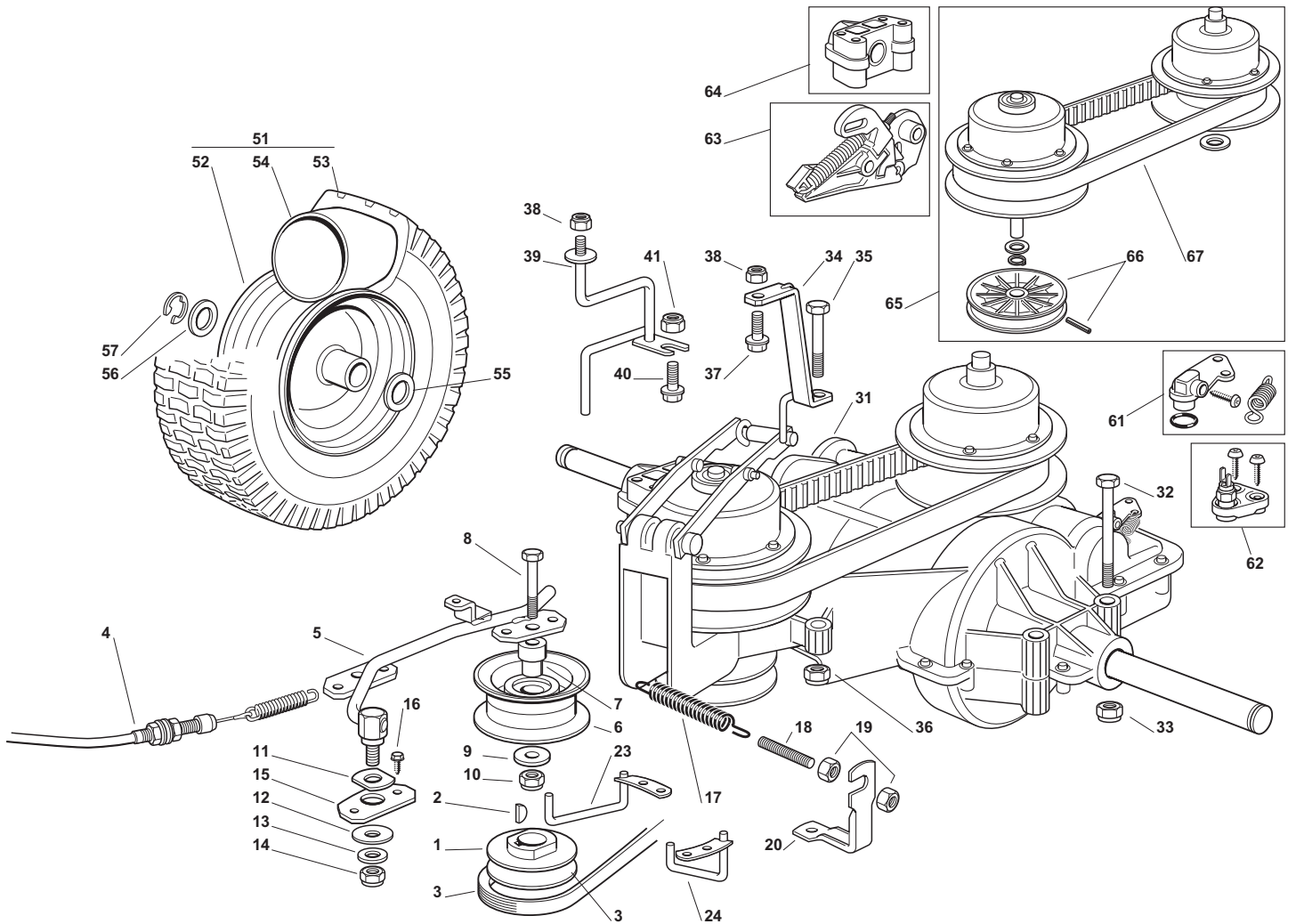
Drive And Brake Controls				
POSITION	CODE	Q.TY	DESCRIPTION	NOTES
1	27500051/0	1	Pedal	
2	27670054/0	2	Washer	
3	12521350/0	1	Washer	
4	12154210/0	1	Nut	
5	84503005/0	1	Pedal Upper	
6	112791200/1	2	Screw	
7	25110269/0	1	Clamp Cover	
8	184207107/0	1	Cable	
9	27034064/1	1	Rod	
10	27395050/1	1	Knob	
11	25670011/0	2	Washer	
12	12154210/0	1	Nut	
13	27430564/0	1	Spring	
14	12292102/0	2	Nut	
15	27670055/0	1	Washer	
16	12523060/0	1	Washer	
31	384001027/0	1	Axle	
32	27546015/1	2	Plate	
33	12729600/0	4	Screw	
34	84317071/0	1	Gearshift	
35	27430570/1	1	Spring	
36	12674700/0	1	Screw	
37	12154510/0	1	Nut	
38	12729600/0	1	Screw	
39	25394510/0	1	Knob	
40	384783047/0	1	Bracket	
41	12818690/0	2	Screw	
42	12293201/0	2	Nut	
43	27670053/0	2	Washer	
44	127207000/0	2	Lining	
45	27430560/0	1	Spring	
46	12155020/0	1	Nut	
48	384002084/1	1	Rod	
49	12150000/0	1	Nut	
50	12604897/0	1	Snap Ring	
51	114362319/0	1	Label	



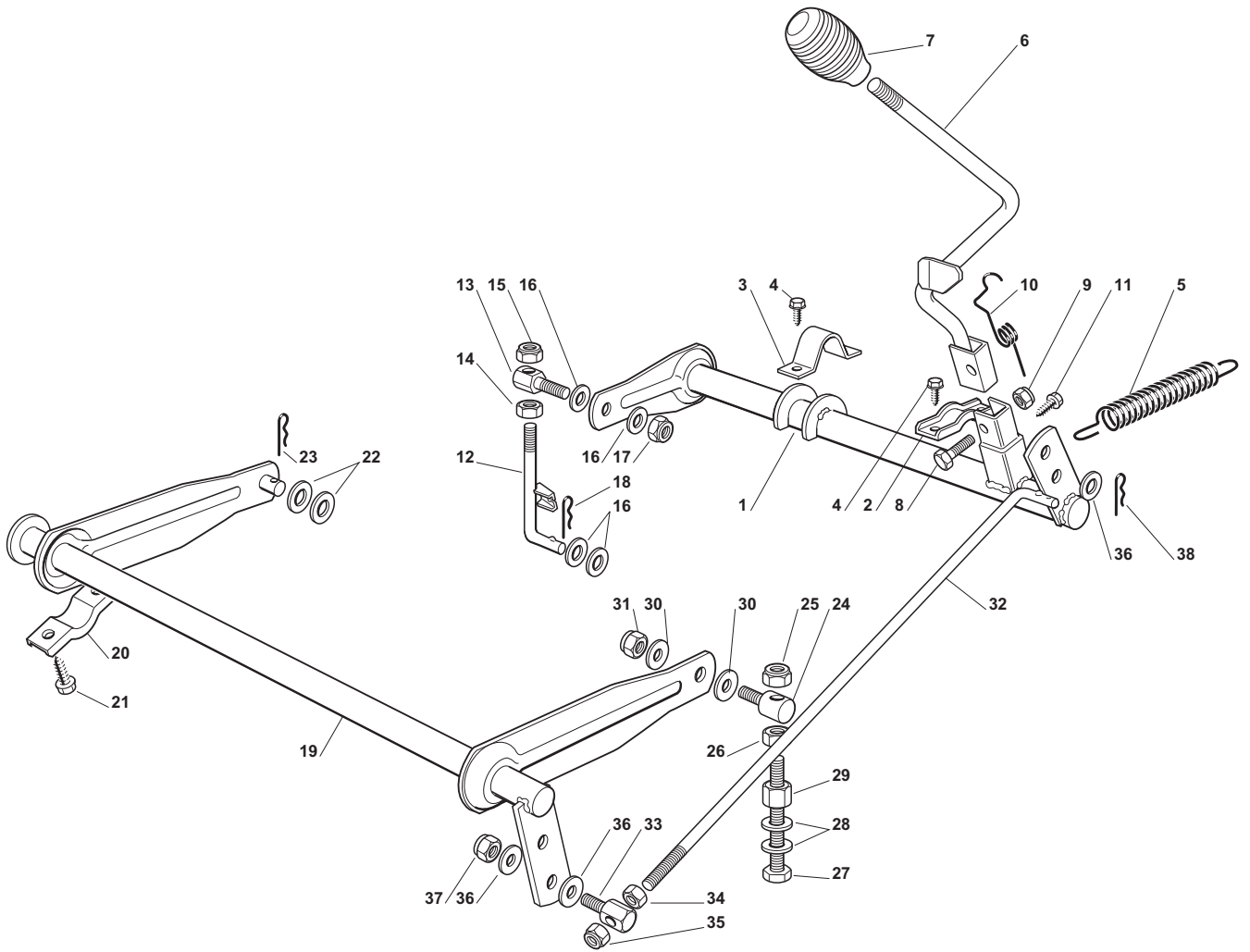
Engine - B&S				
POSITION	CODE	Q.TY	DESCRIPTION	NOTES
1	12691100/0	2	Screw	
2	12154210/0	3	Nut	
3	12691800/0	1	Screw	
4	118738245/0	1	Exauste Tube	
5	12735104/0	1	Screw	
6	127787077/0	1	Bracket	
7	12735110/0	1	Screw	
11	25869033/1	1	Tube	
12	18375051/1	2	Fair Led	
21	18718000/0	1	Syringe	
31	384317094/0	1	Accelerator Lever	
32	12523040/0	2	Washer	
33	12530060/0	1	Washer	
34	12791500/0	1	Screw	
35	12154510/0	1	Nut	
36	22981467/0	1	Plate	
37	12735105/0	2	Screw	
38	184000254/0	1	Throttle Cable	
39	114364614/0	1	Label (ELV63,EL63)	
41	27787057/0	1	Support	
42	27733002/1	1	Tank	
43	27600113/0	1	Guard	
44	27790000/1	1	Cap	



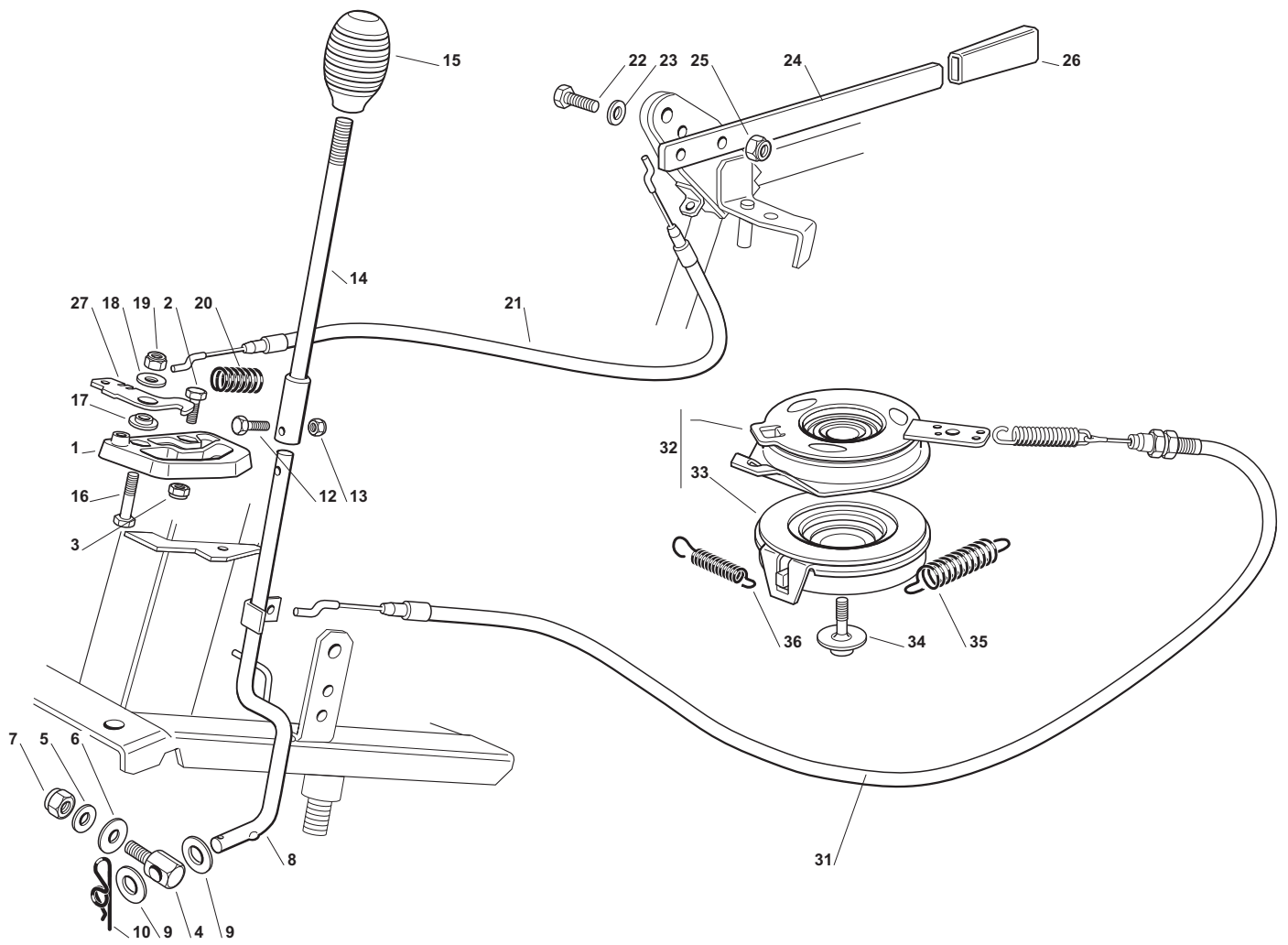
Engine - Honda				
POSITION	CODE	Q.TY	DESCRIPTION	NOTES
2	12691100/0	3	Screw	
3	12154210/0	3	Nut	
4	118738232/0	1	Exhaust Tube	
5	12735111/0	3	Screw	
8	112878000/0	2	Screw	
9	12292102/0	2	Nut	
11	25869035/1	1	Tube	
12	18375051/1	2	Fair Led	
21	18718000/0	1	Syringe	
31	81007280/2	1	Accelerator Lever	
32	12523040/0	2	Washer	
33	12530060/0	1	Washer	
34	12791500/0	1	Screw	
35	12154510/0	1	Nut	
36	22981467/0	1	Plate	
37	12735105/0	2	Screw	
38	84000253/1	1	Throttle Cable	
39	14358415/0	1	Label	
41	27787057/0	1	Support	
42	27733002/1	1	Tank	
43	27600113/0	1	Guard	
44	27790000/1	1	Cap	



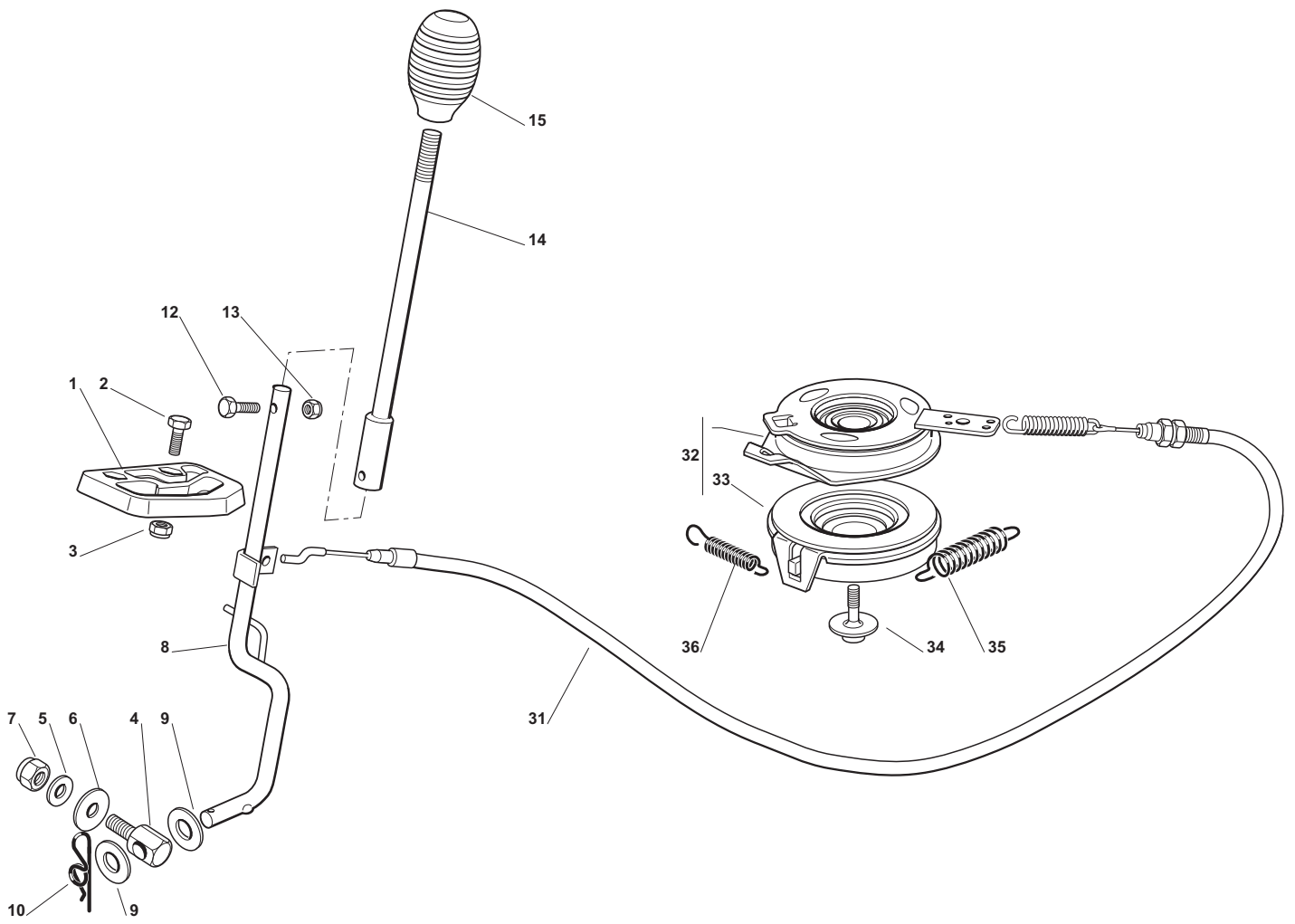
Transmission				
POSITION	CODE	Q.TY	DESCRIPTION	NOTES
1	127604012/0	1	Pulley	
2	12139100/0	1	Feather	
3	135061427/0	1	Belt	
4	84207103/2	1	Cable	
5	384317091/0	1	Lever	
6	27604007/0	1	Pulley	
7	27047007/0	1	Bush	
8	12691200/0	1	Screw	
9	12523060/0	1	Washer	
10	12155000/0	1	Nut	
11	27670054/0	1	Washer	
12	12523070/0	1	Washer	
12	119700064/0	1	Gearbox Switch	
13	25670011/0	1	Washer	
14	12155000/0	1	Nut	
15	27546029/0	1	Plate	
16	12735121/0	2	Screw	
17	25430219/0	1	Spring	
18	25840005/0	1	Tie Rod	
19	12293200/0	2	Nut	
20	327773081/1	1	Angle Bracket	
23	382270305/0	1	Plate	
24	382270307/0	1	Plate	
31	118400973/1	1	Transmission Unit	
32	12692050/0	4	Screw	
33	12154210/0	4	Nut	
34	384783045/0	1	Support	
35	12691115/0	1	Screw	
36	12154210/0	1	Nut	
37	12793102/0	1	Screw	
38	12154210/0	2	Nut	
39	384783043/0	1	Support	
40	12793301/0	1	Screw	
41	12154210/0	1	Nut	
51	84680057/1	2	Rear Wheel	
52	84044005/0	2	Rimm	
53	27590059/0	2	Shoe	
54	27590057/0	2	Inner Tube	
55	12521410/0	2	Washer	
56	25670005/1	2	Washer	
57	12001010/0	2	Snap Ring	
61	119700059/0	1	Brake Kit	
63	119700065/0	1	Control Unit	
64	119700061/0	1	Bush	
65	119700057/0	1	Variator Kit	
66	119700066/0	1	Pulley	
67	119700062/0	1	Belt	



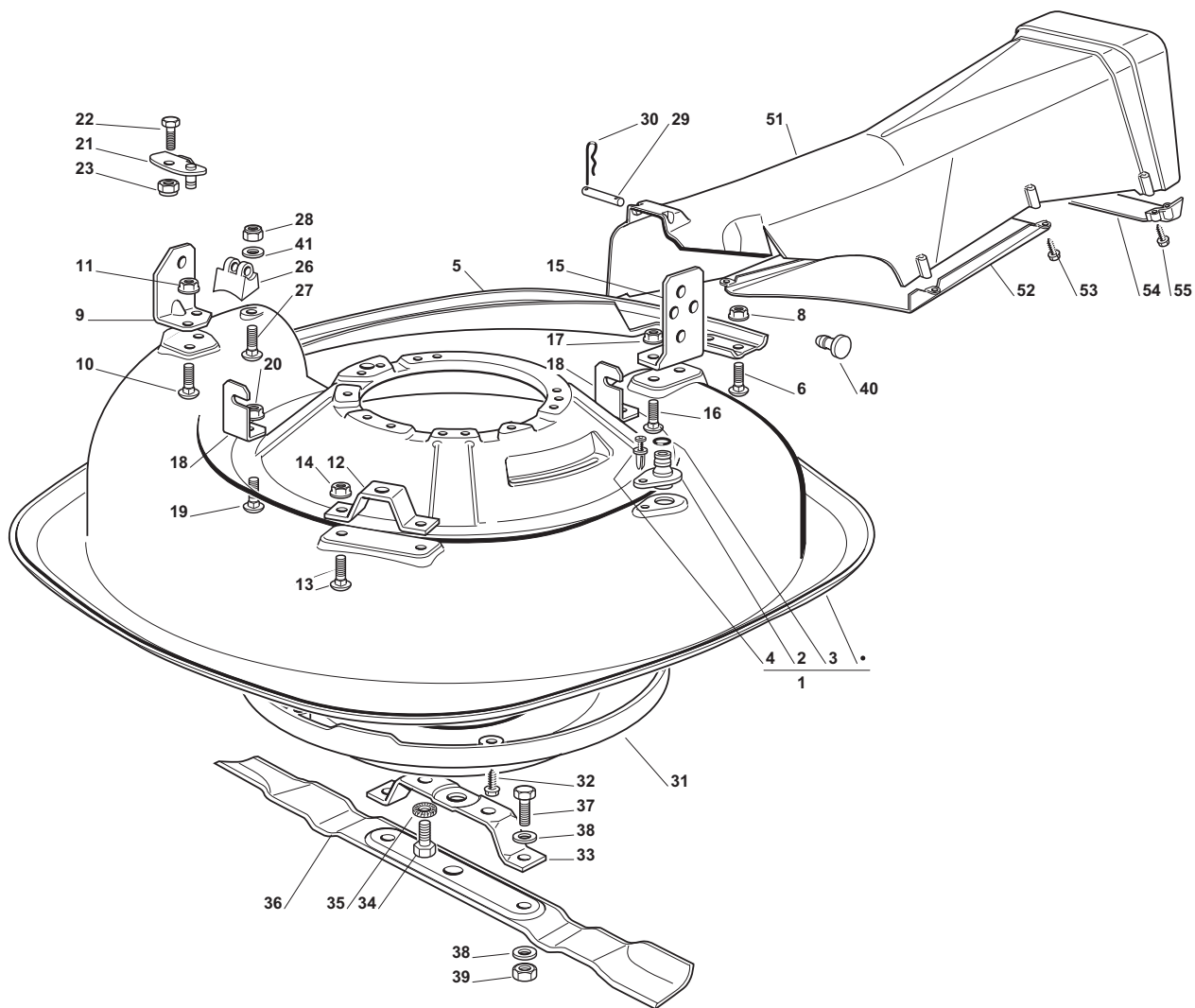
Cutting Plate Lifting				
POSITION	CODE	Q.TY	DESCRIPTION	NOTES
1	84001017/0	1	Axle	
2	27546015/1	1	Plate	
3	25547037/1	1	Plate	
4	12729600/0	4	Screw	
5	27430568/0	1	Spring	
6	84317075/0	1	Gearshift	
7	25394510/0	1	Knob	
8	12674700/0	1	Screw	
9	12154510/0	1	Nut	
10	27430574/0	1	Spring	
11	12729600/0	4	Screw	
12	84002073/0	1	Rod	
13	25510056/0	1	Pin	
14	12295200/0	1	Nut	
15	12156602/0	1	Nut	
16	25670008/1	4	Washer	
17	12156602/0	1	Nut	
18	24487997/0	1	Cotter Pin	
19	84001019/0	1	Axle	
19	384001033/0	1	Axle (GGP)	
20	27546015/1	2	Plate	
21	12731350/0	4	Screw	
22	25670008/1	2	Washer	
23	24487997/0	1	Cotter Pin	
24	125510007/2	1	Pin	
25	12156602/0	1	Nut	
26	12295200/0	1	Nut	
27	12794970/0	1	Screw	
28	12521360/0	2	Washer	
29	12154250/0	1	Nut	
30	25670008/1	2	Washer	
31	12156602/0	1	Nut	
32	27034065/0	1	Rod	
33	25510040/1	1	Pin	
34	12293200/0	1	Nut	
35	12155000/0	1	Nut	
36	25670011/0	3	Washer	
37	12155000/0	1	Nut	
38	24487997/0	1	Cotter Pin	



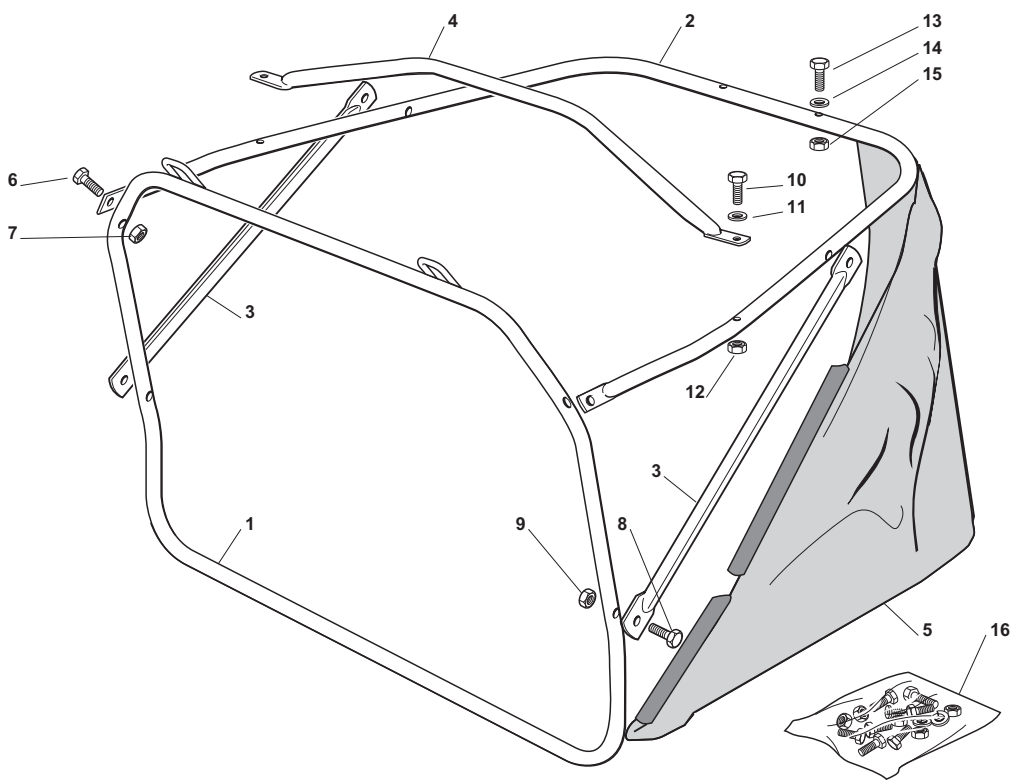
Blades Engagement - B&S Engine				
POSITION	CODE	Q.TY	DESCRIPTION	NOTES
1	27487003/0	1	Shoe	
2	112791200/1	2	Screw	
3	12154510/0	2	Nut	
4	27510107/0	1	Pin	
5	25670011/0	1	Washer	
6	22672152/0	1	Washer	
7	12155000/0	1	Nut	
8	84317073/1	1	Lever	
9	21660100/0	2	Thurst Washer	
10	24487998/0	1	Cotter Pin	
12	12789020/0	1	Screw	
13	12154330/0	1	Nut	
14	84317079/0	1	Gearshift	
15	25394510/0	1	Knob	
16	12792099/0	1	Screw	
17	325160039/0	1	Spacer	
18	12523040/0	1	Washer	
19	12154510/0	1	Nut	
20	25430206/1	1	Spring	
21	184000255/0	1	Cable	
22	125510080/1	1	Pin	
23	12521350/0	1	Washer	
24	327315131/0	1	Lever	
25	12154510/0	1	Nut	
26	22397000/0	1	Knob	
27	327253000/1	1	Hook	
31	84207104/1	1	Cable	
32	18399065/1	1	Mechanical Clutch Ass.Y	
33	18399066/1	1	Clutch, Lower Part	
34	12735460/0	1	Screw	
35	27430579/0	1	Spring	
36	22450110/0	1	Spring	



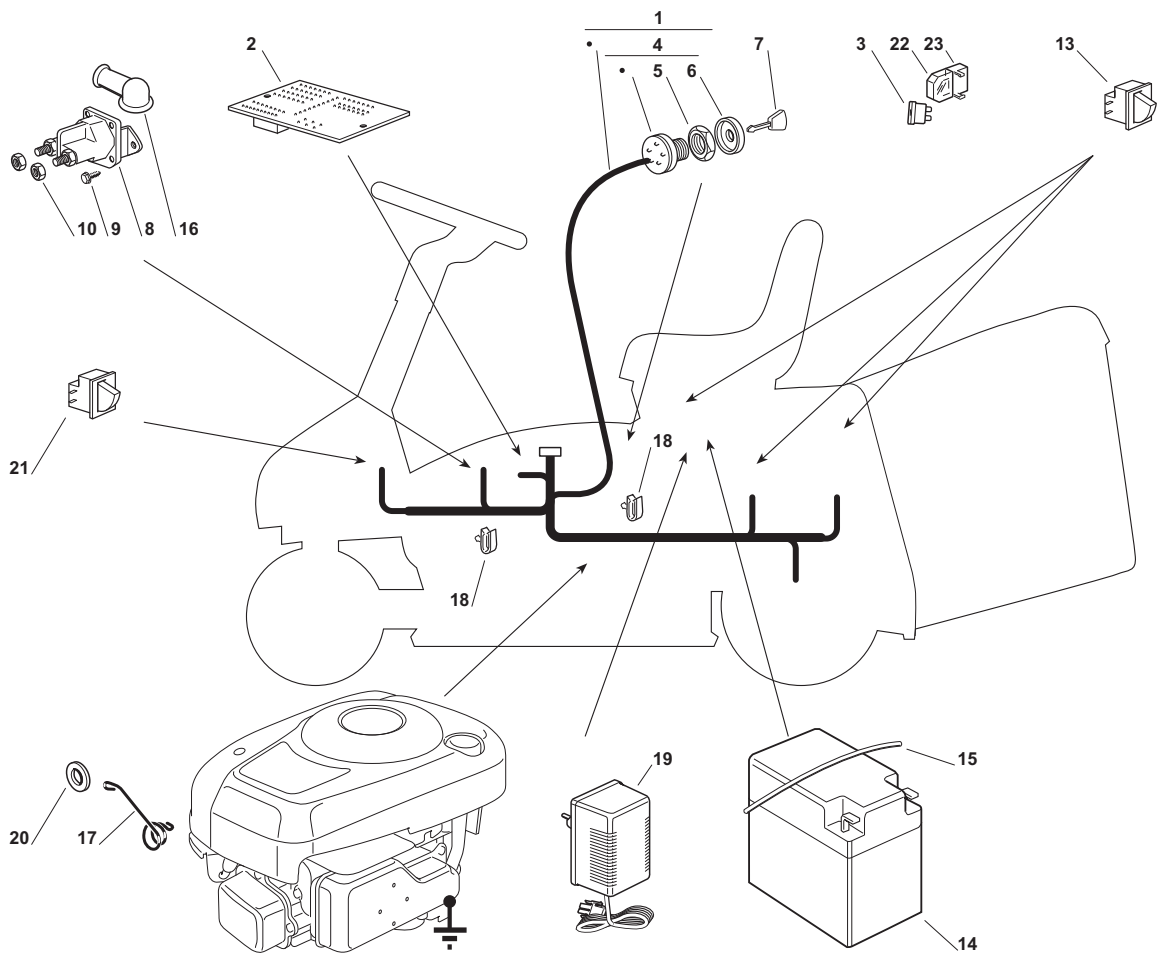
Blades Engagement - Honda Engine				
POSITION	CODE	Q.TY	DESCRIPTION	NOTES
1	27487001/0	1	Shoe	
2	112791200/1	2	Screw	
3	12154510/0	2	Nut	
4	27510107/0	1	Pin	
5	25670011/0	1	Washer	
6	22672152/0	1	Washer	
7	12155000/0	1	Nut	
8	84317073/1	1	Lever	
9	21660100/0	2	Thurst Washer	
10	24487998/0	1	Cotter Pin	
12	12789020/0	1	Screw	
13	12154330/0	1	Nut	
14	84317079/0	1	Gearshift	
15	25394510/0	1	Knob	
31	84207104/1	1	Cable	
32	18399065/1	1	Mechanical Clutch Ass.Y	
33	18399066/1	1	Clutch, Lower Part	
34	12735460/0	1	Screw	
35	27430579/0	1	Spring	
36	22450110/0	1	Spring	



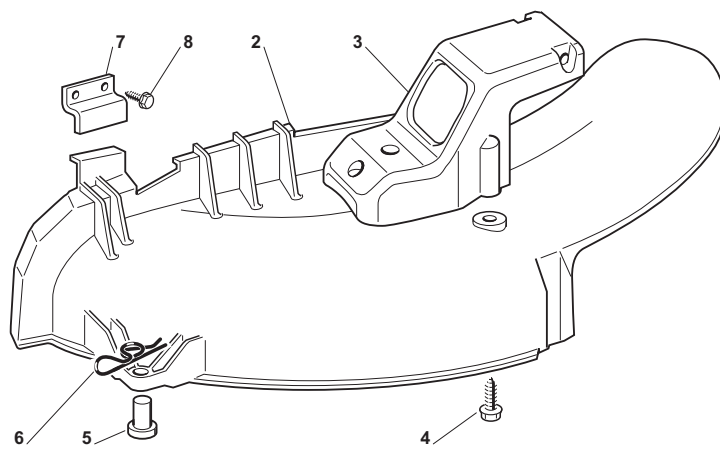
Cutting Plate				
POSITION	CODE	Q.TY	DESCRIPTION	NOTES
1	384564095/1	1	Cutting Plate, Black	
1	384564104/1	1	Cutting Plate, Red	
1	384564117/0	1	Cutting Plate, Yellow	
2	25033060/0	1	Water Hose Connection	
3	19035000/0	1	O Ring	
4	12500030/0	1	Rivet	
5	84650103/0	1	Stiffening	
6	12815200/0	4	Screw	
8	12292102/0	4	Nut	
9	27772119/0	1	Clamp	
10	12818690/0	2	Screw	
11	12293201/0	2	Nut	
12	27772133/0	1	Clamp	
13	12818690/0	2	Screw	
14	12293201/0	2	Nut	
15	327772127/2	1	Clamp	
16	12818700/0	2	Screw	
17	12293201/0	2	Nut	
18	27753071/0	2	Angle Bracket	
19	12818690/0	2	Screw	
20	12293201/0	2	Nut	
21	84545063/0	1	Plate	
22	12792611/0	1	Screw	
23	12155000/0	1	Nut	
26	27230200/2	1	Hook	
27	12815210/0	1	Screw	
28	12154510/0	1	Nut	
29	27510097/1	1	Pin	
30	24487997/0	2	Cotter Pin	
31	27600122/0	1	Guard	
32	12728530/0	5	Screw	
33	27787045/1	1	Bracket	
34	12794110/0	2	Screw	
35	12540070/0	2	Washer	
36	84109504/0	1	Blade	
37	12793102/0	2	Screw	
38	12523060/0	4	Washer	
39	12155010/0	2	Nut	
40	27275000/0	1	Grommet	
41	12521330/0	1	Washer	
51	27107502/0	1	Conveyor	
52	327140056/0	1	Deflector	
53	12735402/0	5	Screw	
54	27650120/0	1	Stiffening	
55	12735410/0	2	Screw	



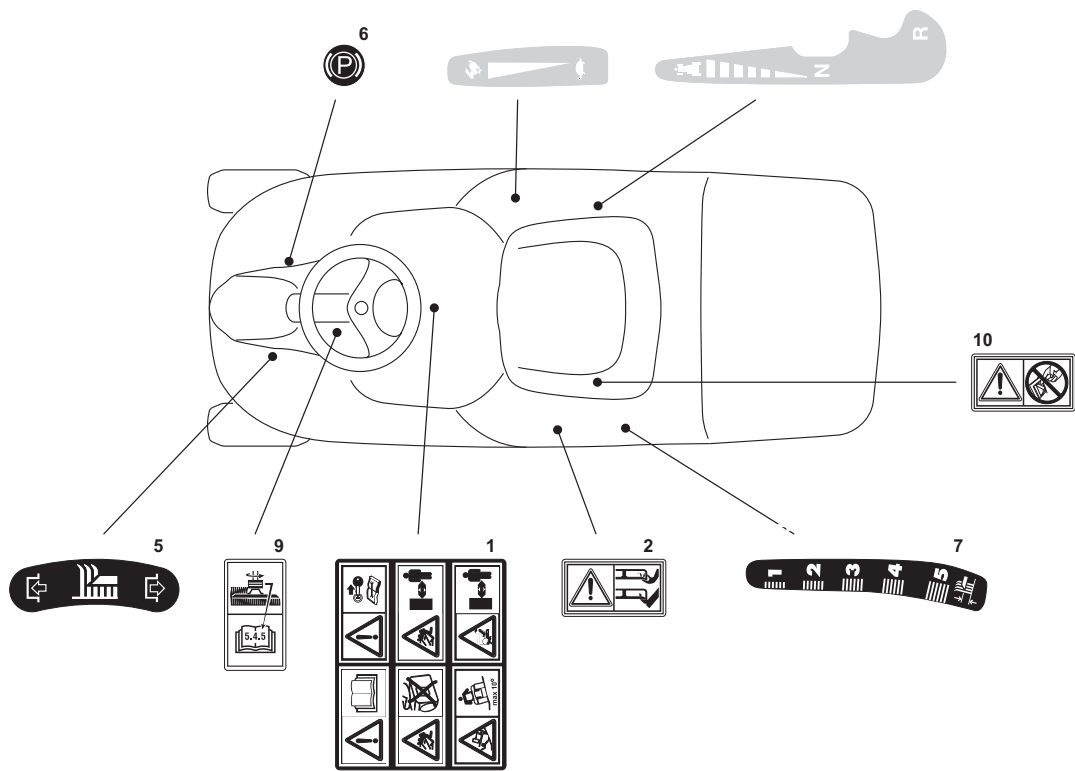
Grasscatcher				
POSITION	CODE	Q.TY	DESCRIPTION	NOTES
1	84801121/0	1	Front Frame	
2	84801119/0	1	Upper Frame	
3	327650129/0	2	Stiffening	
4	84394051/0	1	Handle	
5	184106068/0	1	Grasscatcher	
6	12789020/0	2	Screw	
7	12154330/0	2	Nut	
8	12789020/0	4	Screw	
9	12154330/0	4	Nut	
10	12789210/0	2	Screw	
11	12521331/0	2	Washer	
12	12154330/0	2	Nut	
13	12674530/0	2	Screw	
14	12521331/0	2	Washer	
15	12154330/0	2	Nut	
16	84180186/0	1	Screws Outfit (6÷15)	



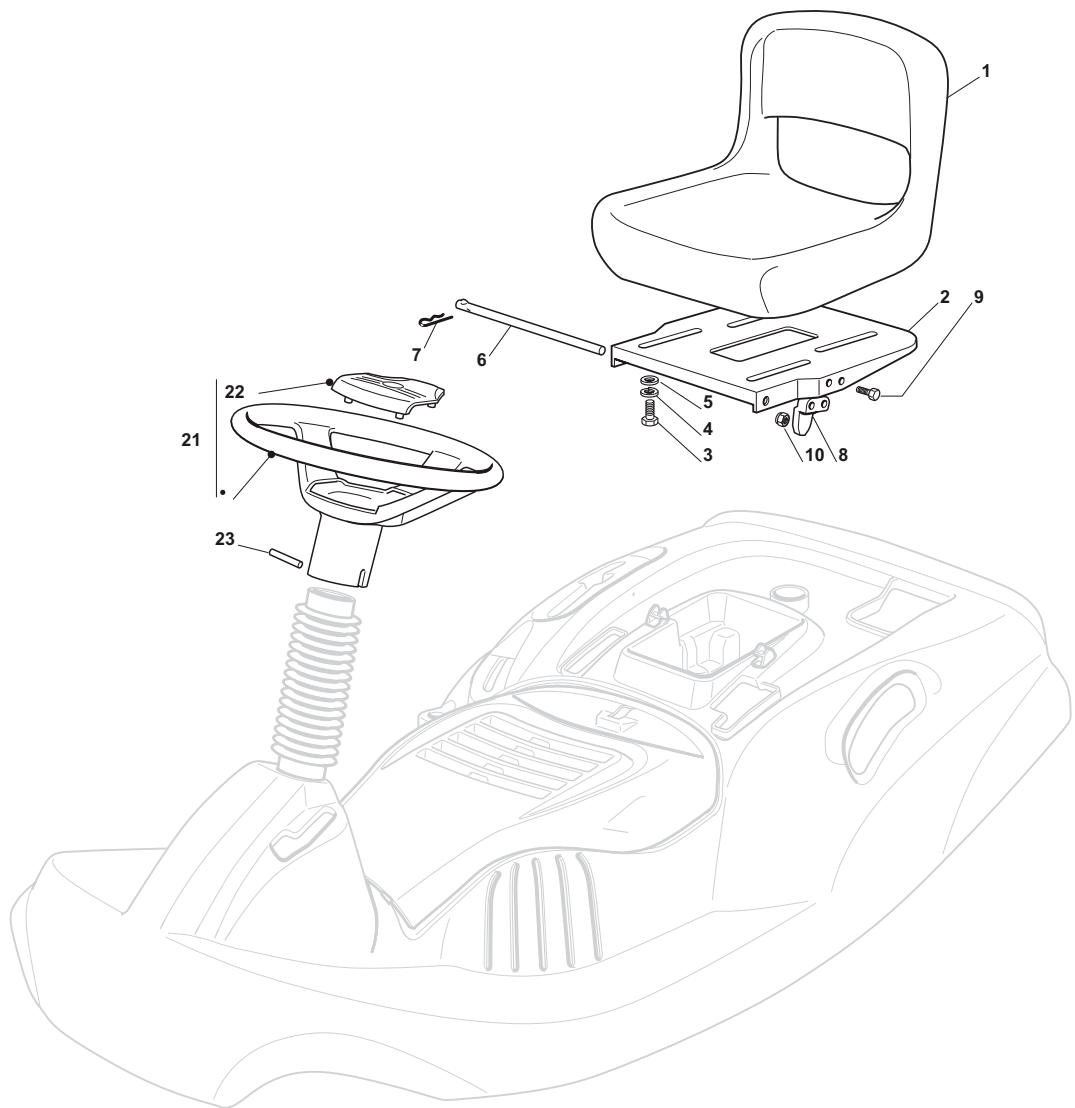
Electrical Parts				
POSITION	CODE	Q.TY	DESCRIPTION	NOTES
1	84040123/1	1	Cables	
2	27722354/0	1	Electronic Card	
3	33340040/0	1	Fuse 10A	
4	18450065/1	1	Starting Switch	
5	18400861/0	1	Screwed Ring	
6	18565351/0	1	Screwed Ring Protection	
7	18210016/1	1	Starting Key	
8	18736111/0	1	Starter Relay	
9	12735110/0	2	Screw	
10	12360352/0	2	Nut	
13	119410615/0	3	Microswitch	
14	18120004/0	1	Battery	
15	27430572/0	1	Spring	
16	18564861/1	1	Protection	
17	27430557/0	1	Spring	
18	33320506/0	5	Fairlead	
19	82180051/0	1	Battery Charger	
19	82180053/0	1	Battery Charger (Uk)	
20	12523020/0	1	Washer	
21	119410612/1	1	Microswitch	
22	33215000/0	1	Cover	
23	33500007/0	1	Fuse Carrier	



Optionals On Request				
POSITION	CODE	Q.TY	DESCRIPTION	NOTES
2	27140052/0	1	Deflector	
3	27230201/0	1	Fulcrum	
4	12735410/0	3	Screw	
5	25510022/0	1	Pin	
6	24487998/0	1	Cotter Pin	
7	27772139/0	1	Clamp	
8	12735110/0	2	Screw	



Labels				
POSITION	CODE	Q.TY	DESCRIPTION	NOTES
1	114357428/1	1	Label	
2	114356699/1	1	Label	
5	14358418/0	1	Label	
6	14358460/0	1	Label	
7	14358417/0	1	Label	
9	114358654/1	1	Label	
10	14360118/0	1	Label	



Seat & Steering Wheel				
POSITION	CODE	Q.TY	DESCRIPTION	NOTES
1	27722480/0	1	Seat	
2	27546039/1	1	Support	
3	12793101/0	4	Screw	
4	12583500/0	4	Grower	
5	12523060/0	4	Washer	
6	27864052/0	1	Pin	
7	24487997/0	1	Cotter Pin	
8	27063021/1	1	Cam	
9	12789100/0	2	Screw	
10	12154330/0	2	Nut	
21	25961218/0	1	Steering Wheel	
22	25580501/0	1	Cap	
23	12620305/0	1	Pin	