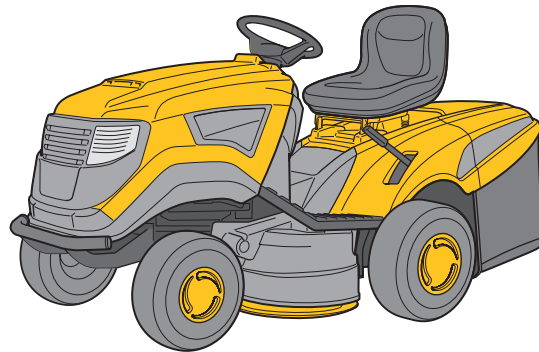


# Genuine Spare Parts

## estate mirage 5.0 *Electric Power*

Model Year 2011



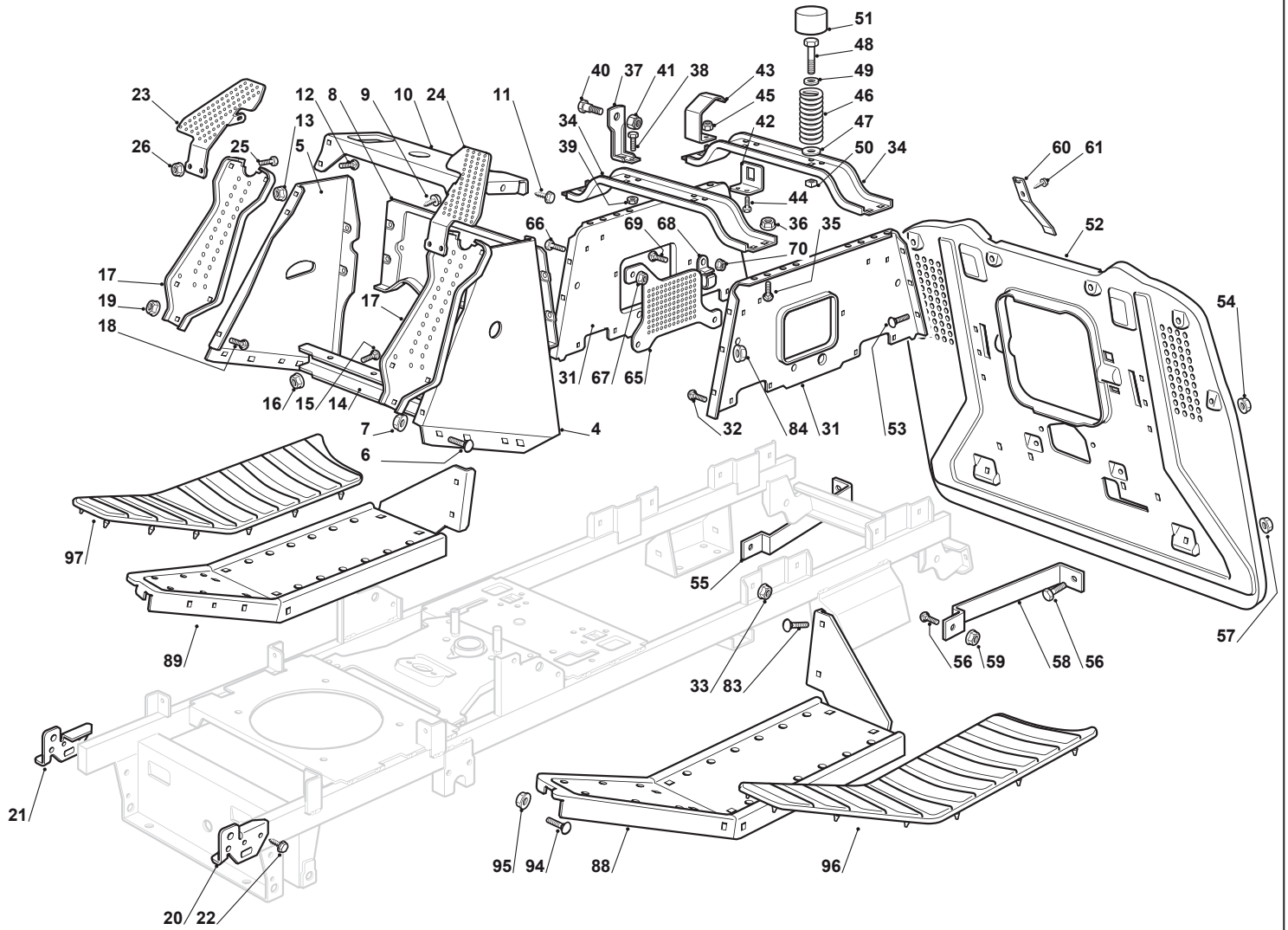
- Use GLOBAL GARDEN PRODUCT Genuine Spare Parts specified in the parts list for repair and/or replacement.
- The contents described in the parts list may change due to improvement.
- The drawings of the spare parts are only indicative and might not represent the part in question exactly.
- The indications "right" - "left" - "front" - "rear" refer to the position of the operator when using the machine.
- When placing orders of parts for repair and/or replacement, make sure that the illustrated parts list is the one applying to the machine's year of manufacture, as shown on the identification plate attached to the machine.

© Copyright 2011 Global Garden Products

All content is subject to copyright by Global Garden Products and may not be reproduced in whole or in part by any means, electronic or otherwise, without prior written approval.

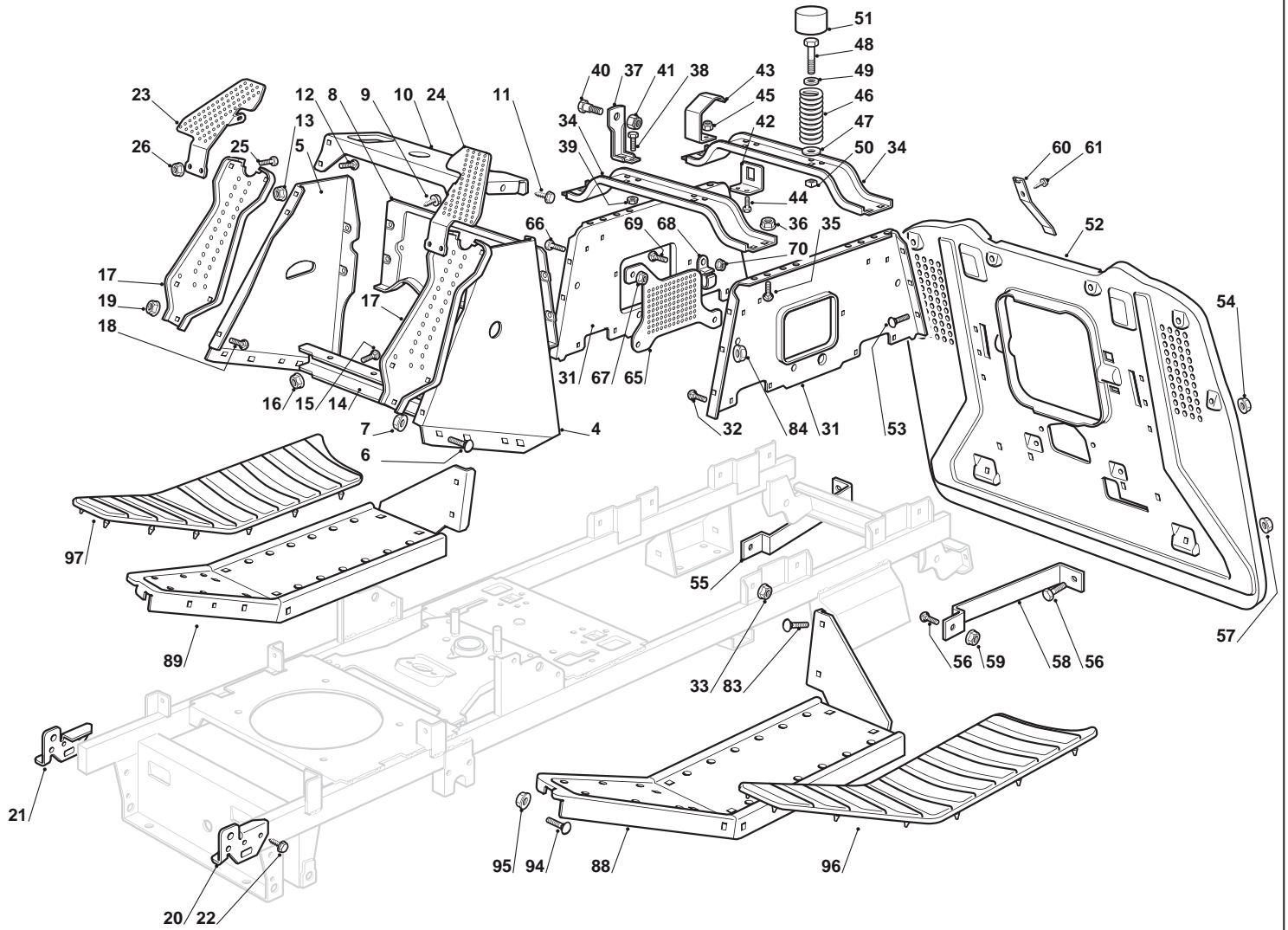
THIS INFORMATION IS NOT INTENDED FOR SALE OR RESALE, AND THIS NOTICE MUST REMAIN ON ALL COPIES.

**STIGA**®



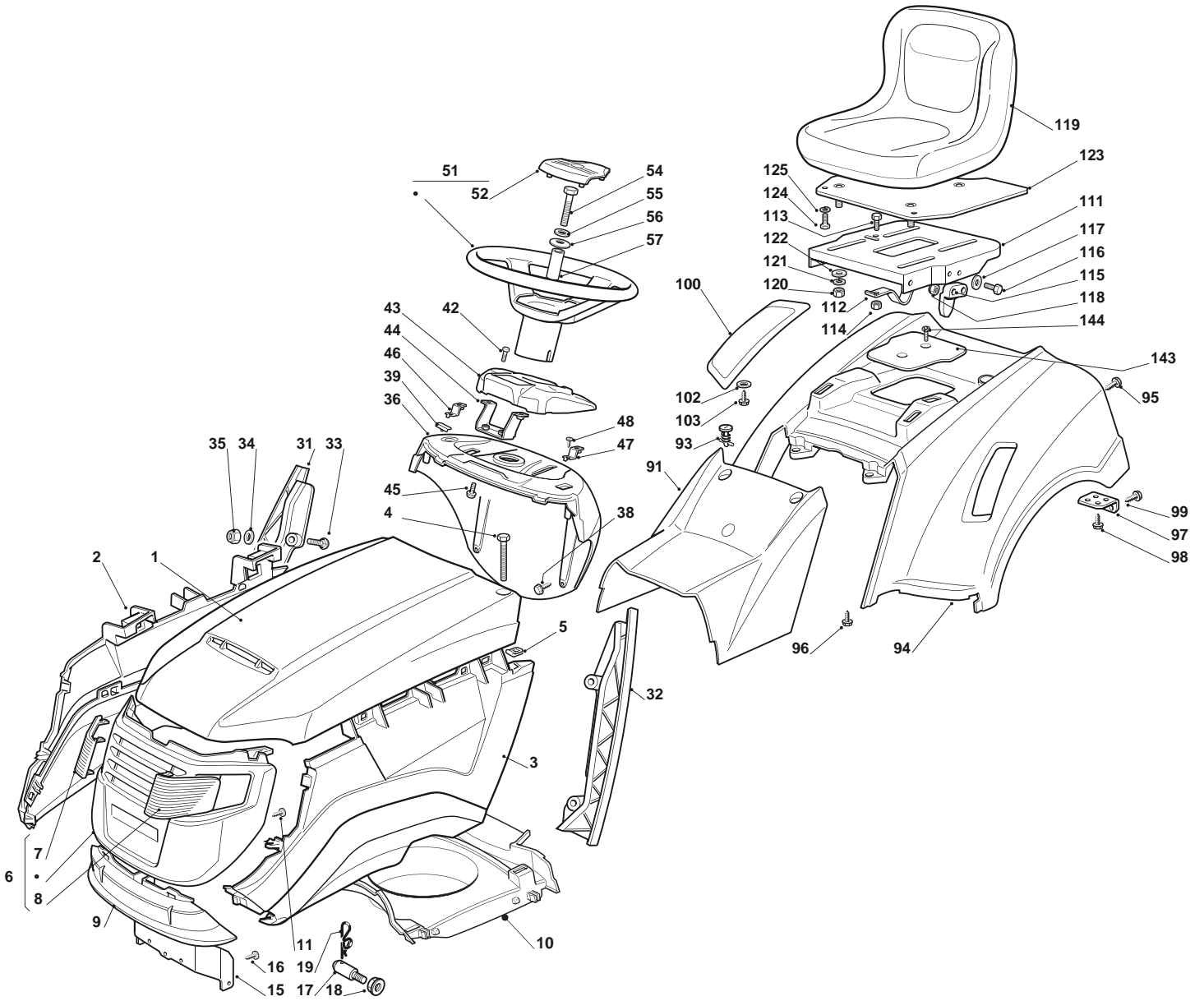


Ref. No.	Part No.	Q.ty	Description	Remarks
4	325785375/0	1	Left Dashboard Supp.	
5	325785397/0	1	Right Dashboard Supp.	
6	12792611/0	4	Screw	
7	12293201/0	4	Nut	
8	382785151/1	1	Rear Dashboard Supp	
9	12735110/0	4	Screw	
10	25785255/0	1	Central Dashboard Supp	
11	12735110/0	4	Screw	
12	112791200/1	2	Screw	
13	12292102/0	2	Nut	
14	25785241/0	1	Support	
15	12815200/0	2	Screw	
16	12292102/0	2	Nut	
17	382785153/1	2	Front Dashboard Supp	
18	112791200/1	4	Screw	
19	12292102/0	4	Nut	
20	382785215/0	1	Plate	
21	382785213/0	1	Plate	
22	12734995/0	4	Screw	
23	325600095/0	1	Guard	
24	325600097/0	1	Guard	
25	12791011/0	4	Screw	
26	12292102/0	4	Nut	
31	325785249/1	2	Seat Support	
32	12815200/0	8	Screw	
33	12292102/0	8	Nut	
34	325785257/1	2	Seat Support	
35	12818690/0	8	Screw	
36	12293201/0	8	Nut	
37	25755039/0	2	Bracket	
38	12792611/0	4	Screw	
39	12293201/0	4	Nut	
40	22524970/2	2	Pin	
41	12155010/0	2	Nut	
42	25755043/0	1	Bracket	
43	25430253/0	1	Spring	
44	12789000/0	2	Screw	
45	12154330/0	2	Nut	
46	125430257/1	2	Spring	
47	12523070/0	2	Washer	
48	12760515/0	2	Screw	
49	22671653/0	2	Washer	
50	12360425/0	2	Nut	
51	25122000/2	2	Hood	
52	382547069/0	1	Plate	
53	12792611/0	6	Screw	
54	12293201/0	6	Nut	
55	382840001/0	1	Plate Stiffening	
56	12792611/0	4	Screw	
57	12293201/0	2	Nut	
58	382840003/0	1	Plate Stiffening	
59	12293201/0	2	Nut	
60	27430554/0	1	Spring	
61	12735110/0	1	Screw	
65	325600103/0	1	Guard	
66	12791011/0	3	Screw	
67	12292102/0	3	Nut	
68	322192156/0	1	Clip	
69	12818690/0	1	Screw	
70	12154510/0	1	Nut	
83	12792611/0	4	Screw	



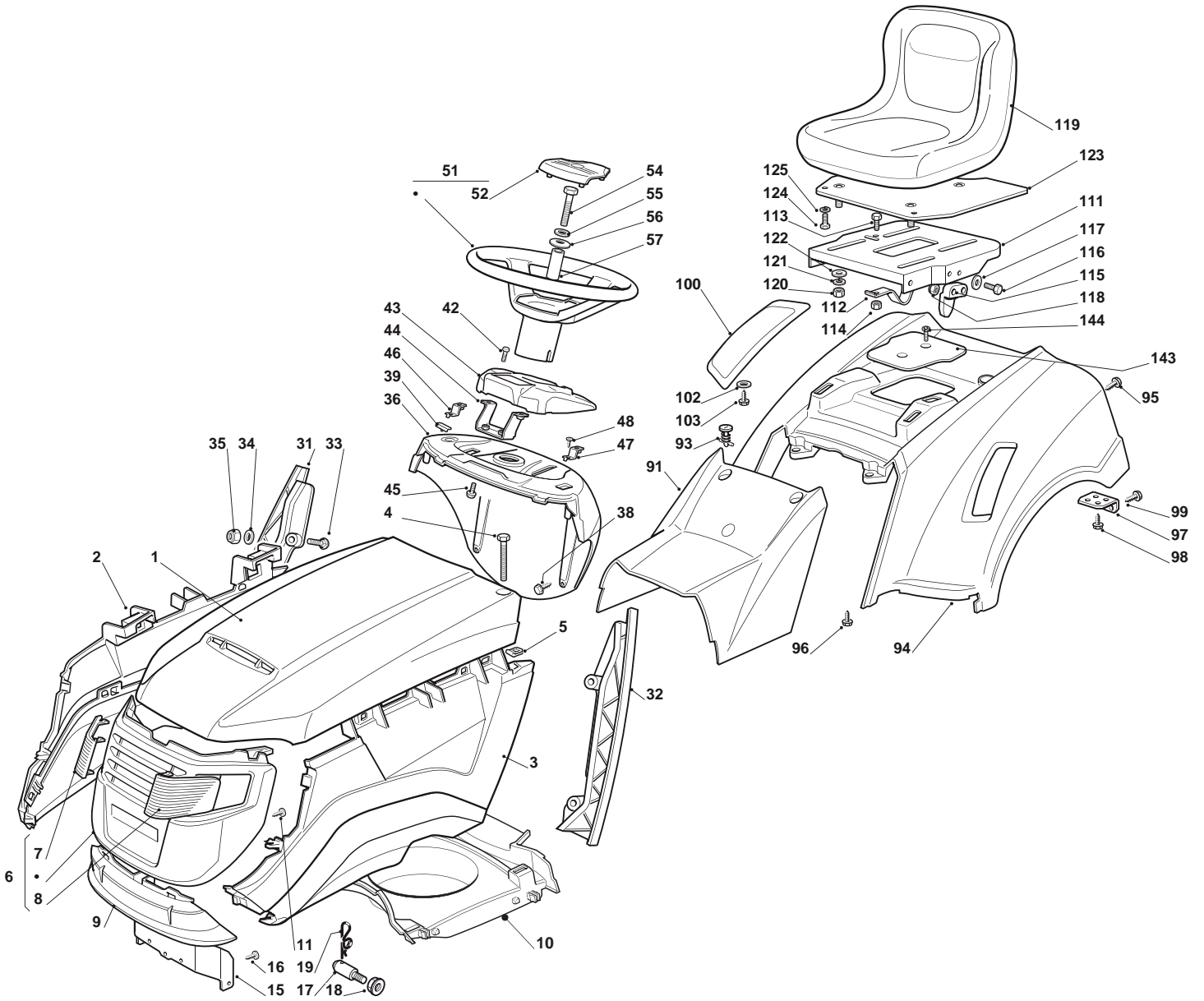


Ref. No.	Part No.	Q.ty	Description	Remarks
84	12293201/0	4	Nut	
88	382510083/0	1	Left Footboard Support	
89	382510081/0	1	Right Footboard Support	
94	112791200/1	4	Screw	
95	12292102/0	4	Nut	
96	25110327/0	1	Left Footboard Cover	
97	25110326/0	1	Right Footboard Cover	





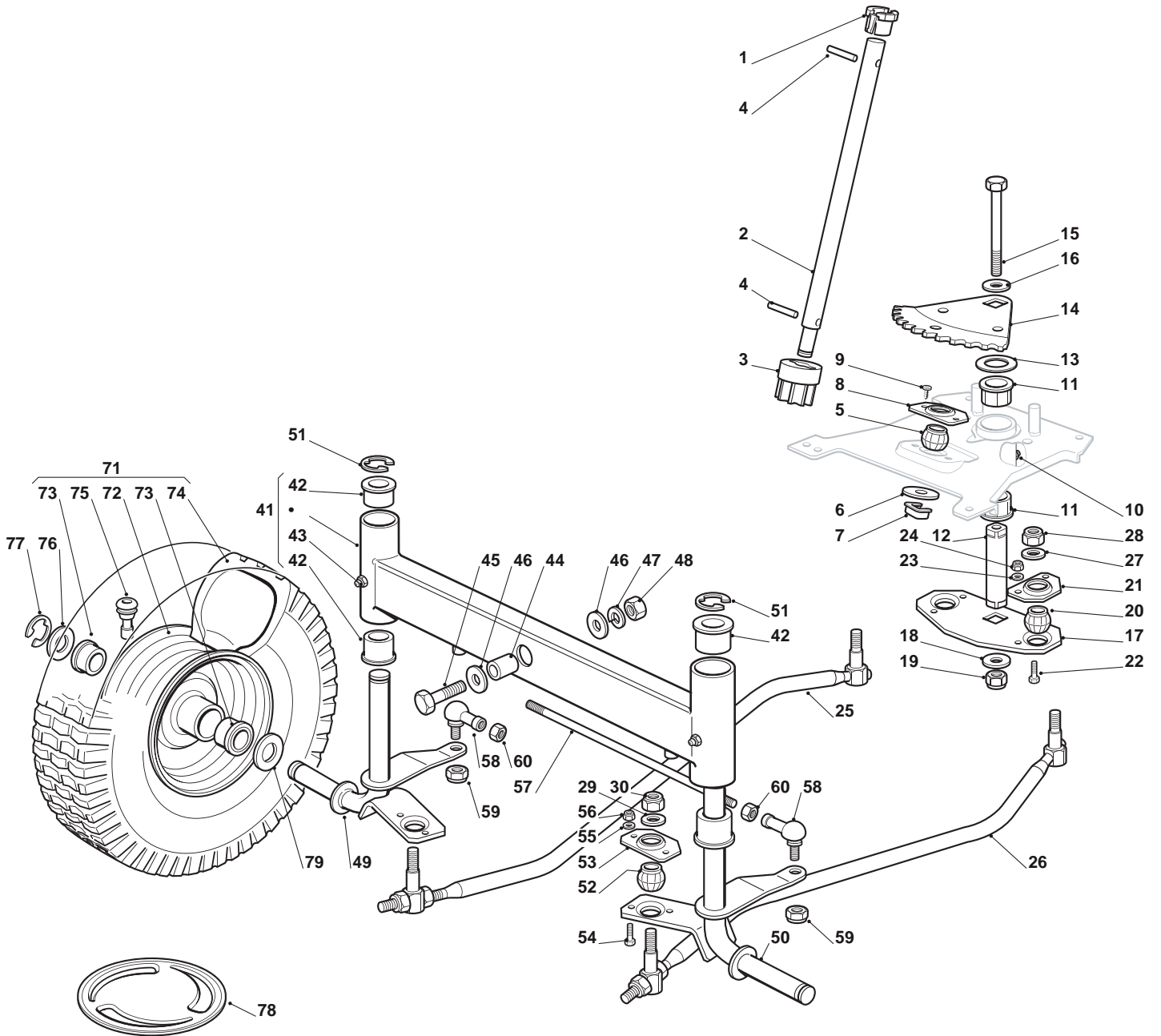
Ref. No.	Part No.	Q.ty	Description	Remarks
1	25076866/0	1	Upper Engine Hood, Yellow	
2	382394611/0	1	Hood, Right	
3	382394612/0	1	Hood, Left	
4	112727804/0	2	Screw	
5	12437503/0	2	Plate	
6	82394610/0	1	Grey Hood, Front	
7	25410876/0	1	Right Grill	
8	25410877/0	1	Left Grill	
9	25076865/0	1	Lower Grey Hood, Front	
10	25108031/0	1	Conveyor	
11	12735403/0	6	Screw	
15	382774275/0	1	Engine Hood Support	
16	12735403/0	5	Screw	
17	125510079/1	2	Pin	
18	12293201/0	2	Nut	
19	24487998/0	2	Cotter Pin	
31	25599012/0	1	Right Dashboard Supp.	
32	25599013/0	1	Left Dashboard Supp.	
33	12815221/0	4	Screw	
34	12521330/0	4	Washer	
35	12154510/0	4	Nut	
36	325120188/2	1	Dashboard	
38	12728440/0	2	Screw	
39	25260000/0	2	Grommet	
42	112727802/0	2	Screw	
43	325120206/0	1	Dashboard	
44	382547065/0	1	Dashboard Support	
45	112735699/0	2	Screw	
46	325547311/0	1	Plate	
47	325547313/0	1	Plate	
48	112727802/0	2	Screw	
51	125961214/1	1	Steering Wheel	
52	325580500/0	1	Cap	
54	12691800/0	1	Screw	
55	12583500/0	1	Grower	
56	12523060/0	1	Washer	
57	125160070/0	1	Spacer	
91	325110430/0	1	Cover, Grey	
93	125580020/2	2	Pivot	
94	25110323/0	1	Wheels Cover, Yellow	
95	12735402/0	4	Screw	
96	12735402/0	2	Screw	
97	25755041/0	2	Bracket	
98	12728686/0	4	Screw	
99	12735110/0	2	Screw	
100	325207194/0	1	Cover	
101	12735402/0	2	Screw	
102	12523050/0	4	Washer	
111	25547033/1	1	Plate	
112	25430223/2	1	Spring	
113	12789000/0	1	Screw	
114	12154330/0	1	Nut	
115	27063021/1	1	Cam	
116	12789100/0	2	Screw	
117	12523020/0	2	Washer	
118	12154330/0	2	Nut	
119	25722457/0	1	Seat	
120	12155000/0	4	Nut	
121	12583500/0	4	Grower	
122	12523060/0	4	Washer	





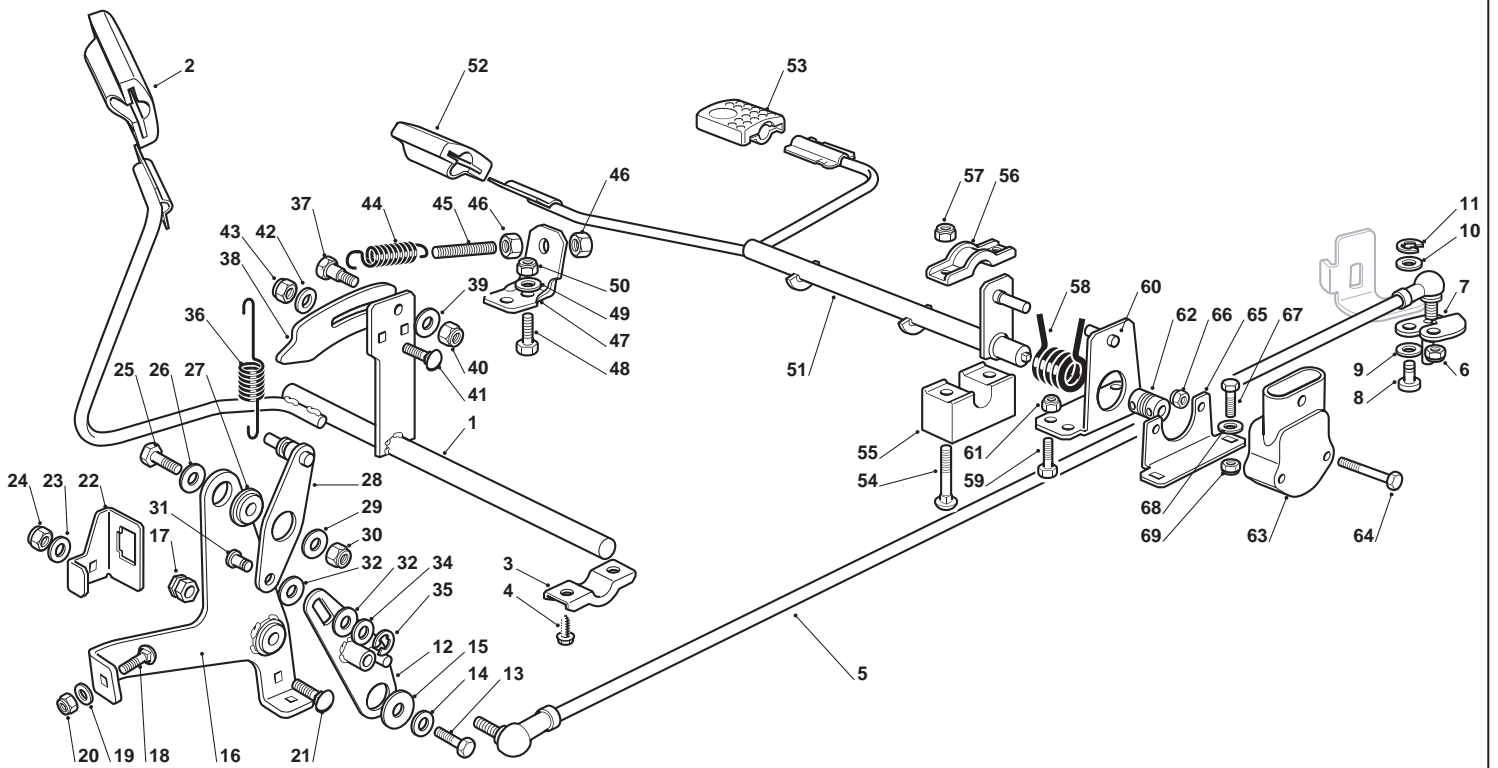


Ref. No.	Part No.	Q.ty	Description	Remarks
123	382547067/0	1	Plate	
143	325207202/0	1	Cover	
144	112727803/0	2	Screw	



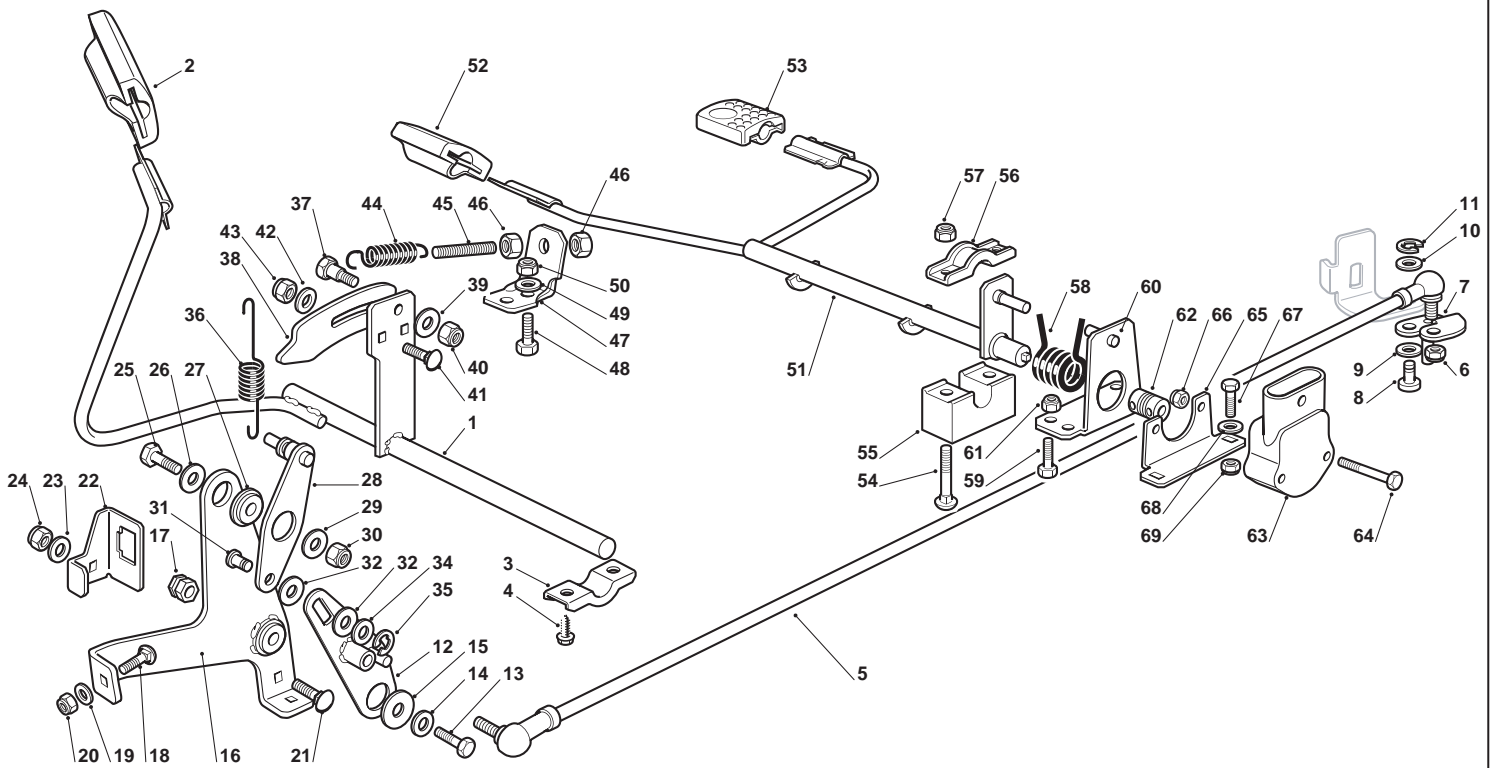


Ref. No.	Part No.	Q.ty	Description	Remarks
1	25038004/0	1	Bush	
2	125520014/0	1	Steering Column	
3	27570050/0	1	Pinion	
4	12622650/0	2	Pin	
5	25743000/0	1	Joint	
6	12521370/0	1	Washer	
7	12436030/0	1	Plate	
8	325785213/1	1	Support	
9	12729601/1	2	Screw	
10	12379511/0	1	Grease Dispenser	
11	25040624/0	2	Bush	
12	25510092/0	1	Pin	
13	25670019/0	1	Washer	
14	25735513/0	1	Steering Shaft	
15	12794985/0	1	Screw	
16	12523080/0	1	Washer	
17	325547293/0	1	Lever	
18	12523080/0	1	Washer	
19	12155020/0	1	Nut	
20	25743000/0	2	Joint	
21	325785213/1	2	Support	
22	12791213/1	4	Screw	
23	12521330/0	4	Washer	
24	12154510/0	4	Nut	
25	382000629/0	1	Steering Rod	
26	382000628/0	1	Steering Rod	
27	12523070/0	2	Washer	
28	12155010/0	2	Nut	
29	12523070/0	2	Washer	
30	12155010/0	2	Nut	
41	382034024/1	1	Equalizer With Bush And Lubricator	
42	25034002/1	4	Bush	
43	12379511/0	2	Grease Dispenser	
44	25160016/0	1	Spacer	
45	12692695/0	1	Screw	
46	12523100/0	2	Washer	
47	12587100/0	1	Grower	
48	12295300/0	1	Nut	
49	382230381/0	1	Right Stub Axle	
50	382230383/0	1	Left Stub Axle	
51	12001000/0	2	Snap Ring	
52	25743000/0	2	Joint	
53	325785213/1	2	Support	
54	12791213/1	4	Screw	
55	12521330/0	4	Washer	
56	12154510/0	4	Nut	
57	25840022/0	1	Tie Rod	
58	25510096/0	2	Pin	
59	12295200/0	2	Nut	
60	12156602/0	2	Nut	
71	382680050/0	2	Front Wheel	
72	82000590/1	2	Rimm	
73	25122200/2	4	Bearing	
74	125590020/0	2	Tire	
75	25950000/0	2	Valve	
76	25670005/1	2	Washer	
77	12000956/0	2	Snap Ring	
78	382110290/0	2	Hub Cover	
79	12521410/0	2	Washer	



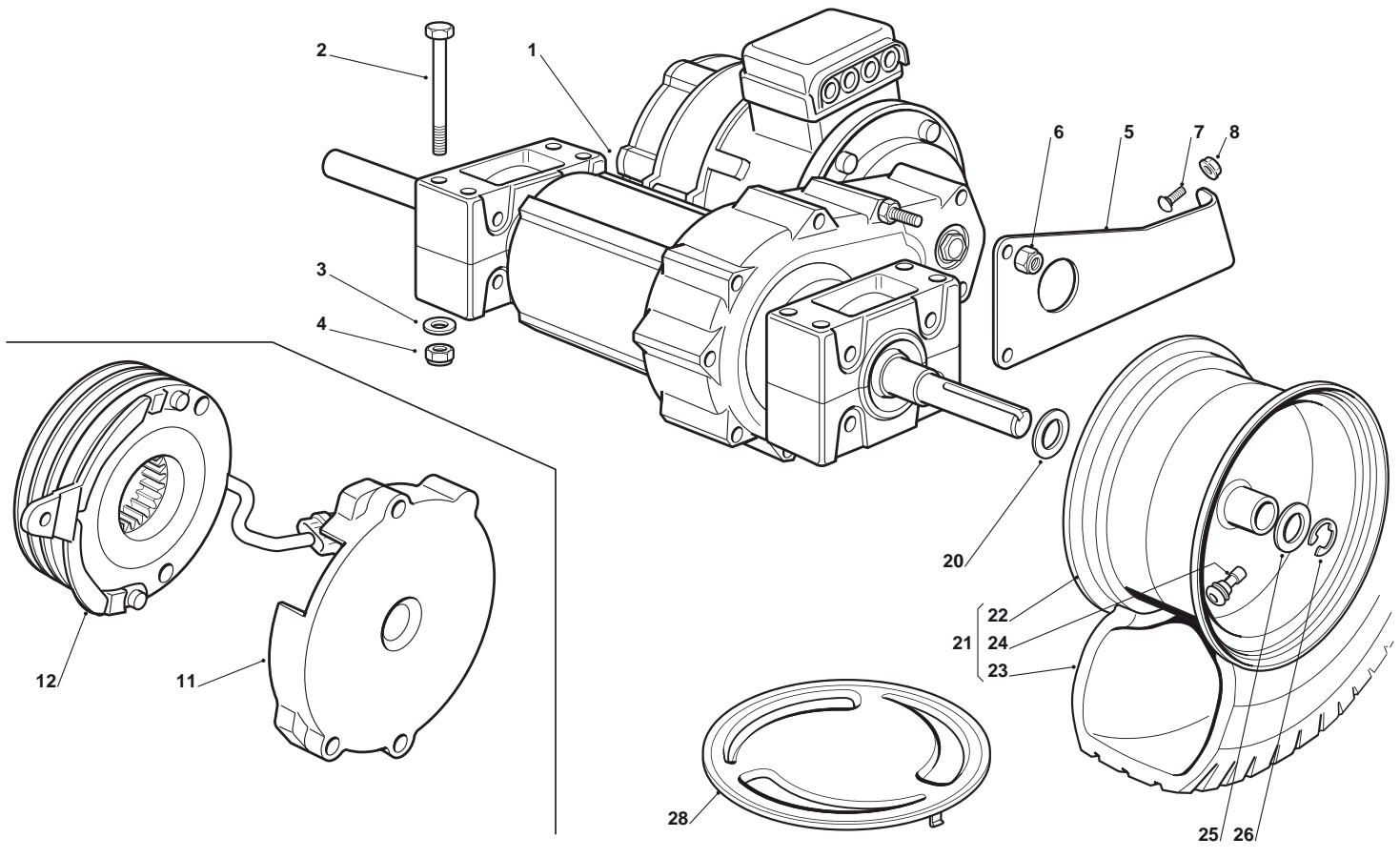


Ref. No.	Part No.	Q.ty	Description	Remarks
1	382500039/0	1	Pedal	
2	325110416/0	1	Clamp Cover	
3	27546015/1	2	Plate	
4	12729601/1	4	Screw	
5	382000635/0	1	Rod	
6	12155000/0	1	Nut	
7	382547079/0	1	Plate	
8	125510085/1	1	Pin	
9	25670011/0	1	Washer	
10	12521350/0	1	Washer	
11	12436050/0	1	Plate	
12	382547077/0	1	Plate	
13	12793701/0	1	Screw	
14	12523060/0	1	Washer	
15	22672152/0	1	Washer	
16	382785229/0	1	Support	
17	125510131/0	1	Pin	
18	12815210/0	2	Screw	
19	12523040/0	2	Washer	
20	12154510/0	2	Nut	
21	12815210/0	1	Screw	
22	325774503/0	1	Support	
23	12523040/0	1	Washer	
24	12154510/0	1	Nut	
25	12793301/0	1	Screw	
26	12523060/0	1	Washer	
27	125040643/0	1	Bush	
28	382547075/0	1	Plate	
29	12523060/0	1	Washer	
30	12155000/0	1	Nut	
31	125510085/1	1	Pin	
32	25670011/0	2	Washer	
34	12521350/0	1	Washer	
35	112436051/0	1	Plate	
36	22430216/0	1	Spring	
37	125510028/2	1	Pin	
38	325060045/0	1	Cam	
39	12521350/0	1	Washer	
40	12155000/0	1	Nut	
41	12815210/0	2	Screw	
42	12523040/0	2	Washer	
43	12154510/0	2	Nut	
44	25785185/0	1	Spring	
45	25840005/0	1	Tie Rod	
46	12293200/0	2	Nut	
47	27773077/0	1	Bracket	
48	112791200/1	1	Screw	
49	22671653/0	1	Washer	
50	12292102/0	1	Nut	
51	382000631/0	1	Drive Pedal	
52	325110417/0	1	Clamp Cover Front	
53	325110418/0	1	Clamp Cover Rear	
54	12815245/0	4	Screw	
55	25785185/0	2	Support	
56	27546015/1	2	Plate	
57	12154330/0	4	Nut	
58	125430272/0	1	Spring	
59	12788910/0	2	Screw	
60	382785231/0	1	Support	
61	12154330/0	2	Nut	





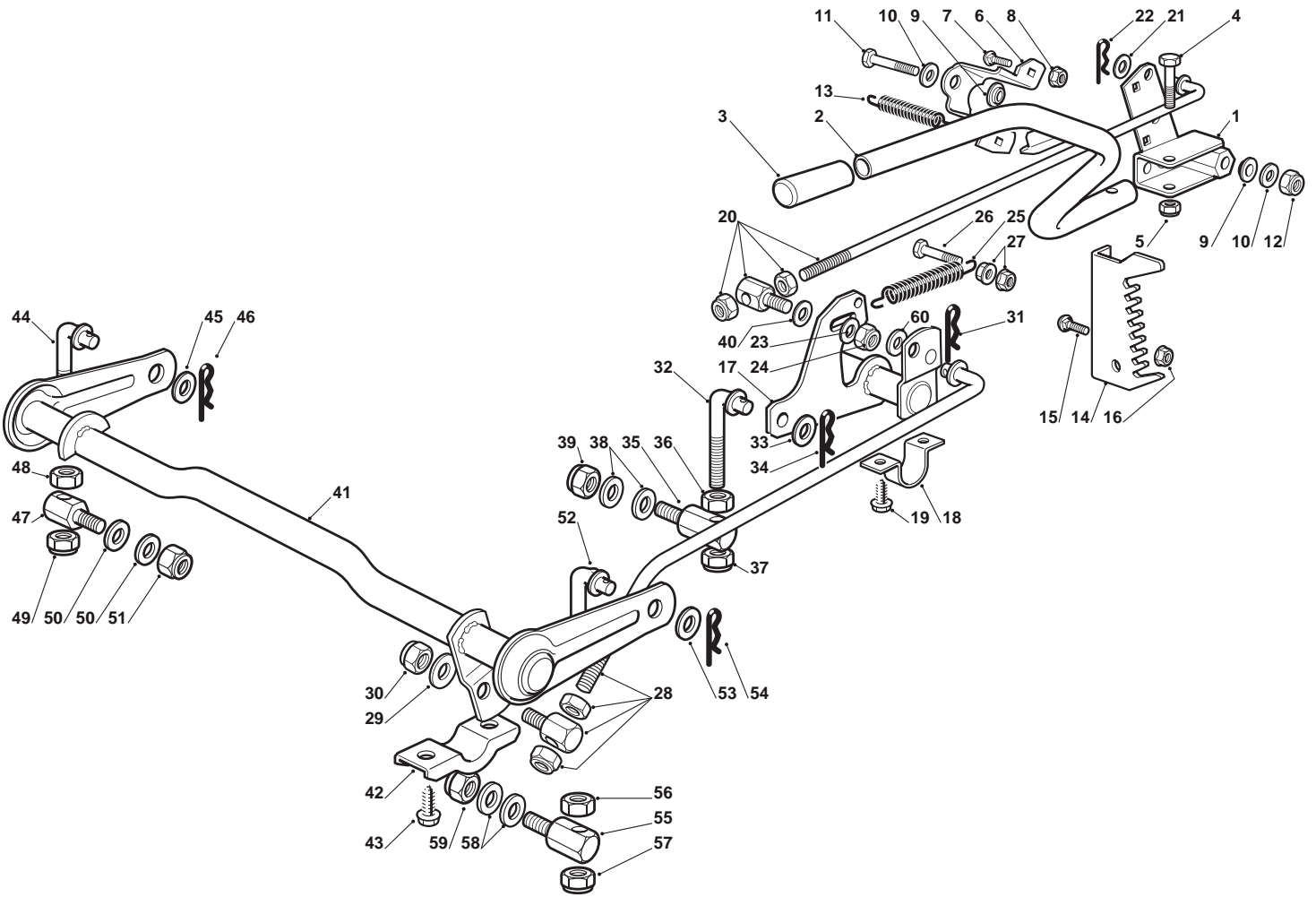
Ref. No.	Part No.	Q.ty	Description	Remarks
62	118225006/0	1	Axial Connector	
63	9400-0373-01	1	Sensor	
64	112788600/0	2	Screw	
65	325785373/0	1	Support	
66	12155000/0	2	Nut	
67	12788910/0	2	Screw	
68	12521330/0	2	Washer	
69	12154330/0	2	Nut	





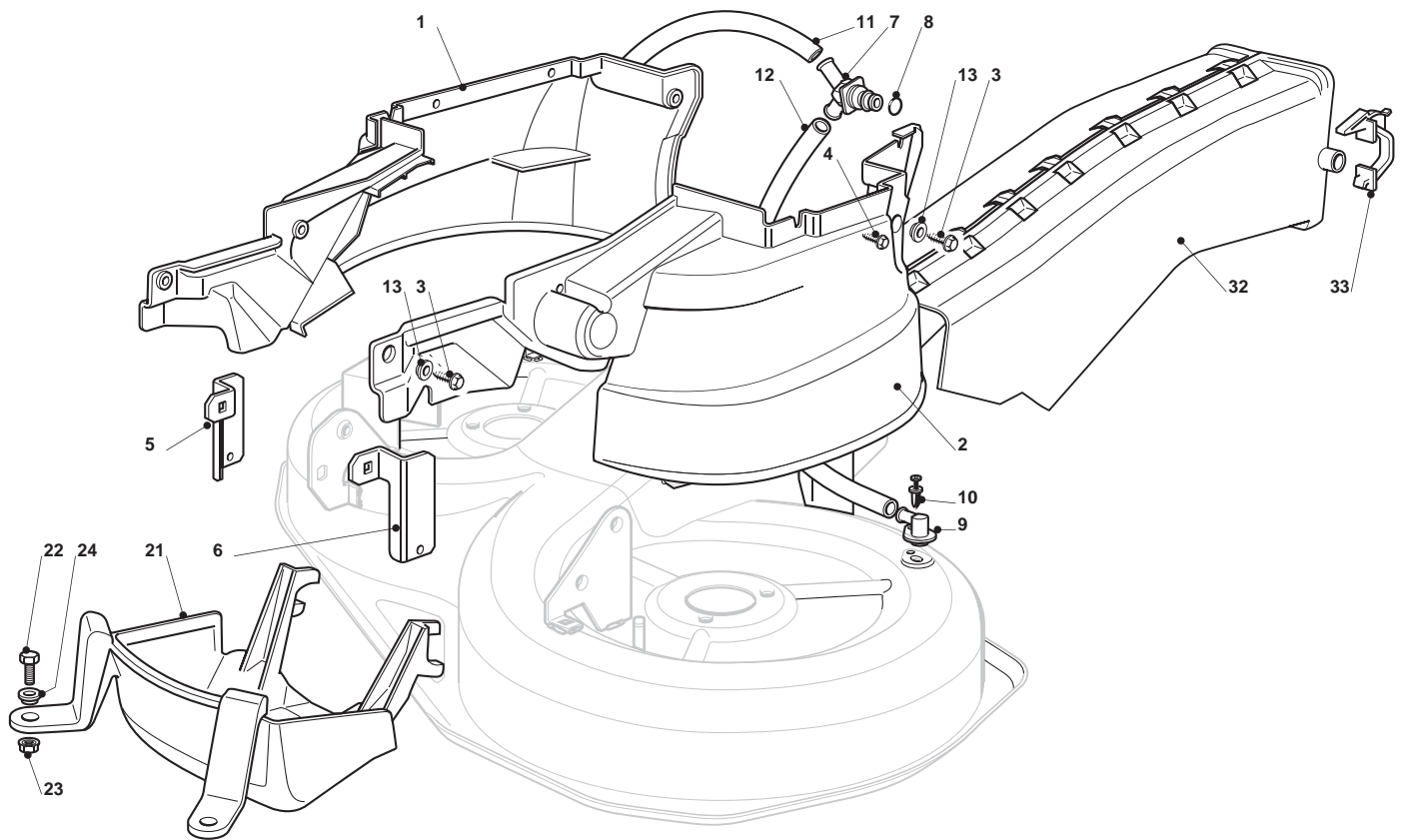


Ref. No.	Part No.	Q.ty	Description	Remarks
1	118400977/0	1	Transmission Unit	
2	12794985/0	4	Screw	
3	12521360/0	4	Washer	
4	12155020/0	4	Nut	
5	325547297/0	1	Bracket	
6	12293200/0	2	Nut	
7	12818690/0	2	Screw	
8	12293200/0	2	Nut	
11	118800736/0	1	Brake Cover	
12	118800737/0	1	Brake with lever	
20	22671653/0	2	Washer	
21	382680054/0	2	Rear Wheel	
22	82000592/0	2	Rimm	
23	125590022/0	2	Tire	
24	25950000/0	2	Valve	
25	25670005/1	2	Washer	
26	12001010/0	2	Snap Ring	
28	382110291/0	2	Rear Wheel Deck	



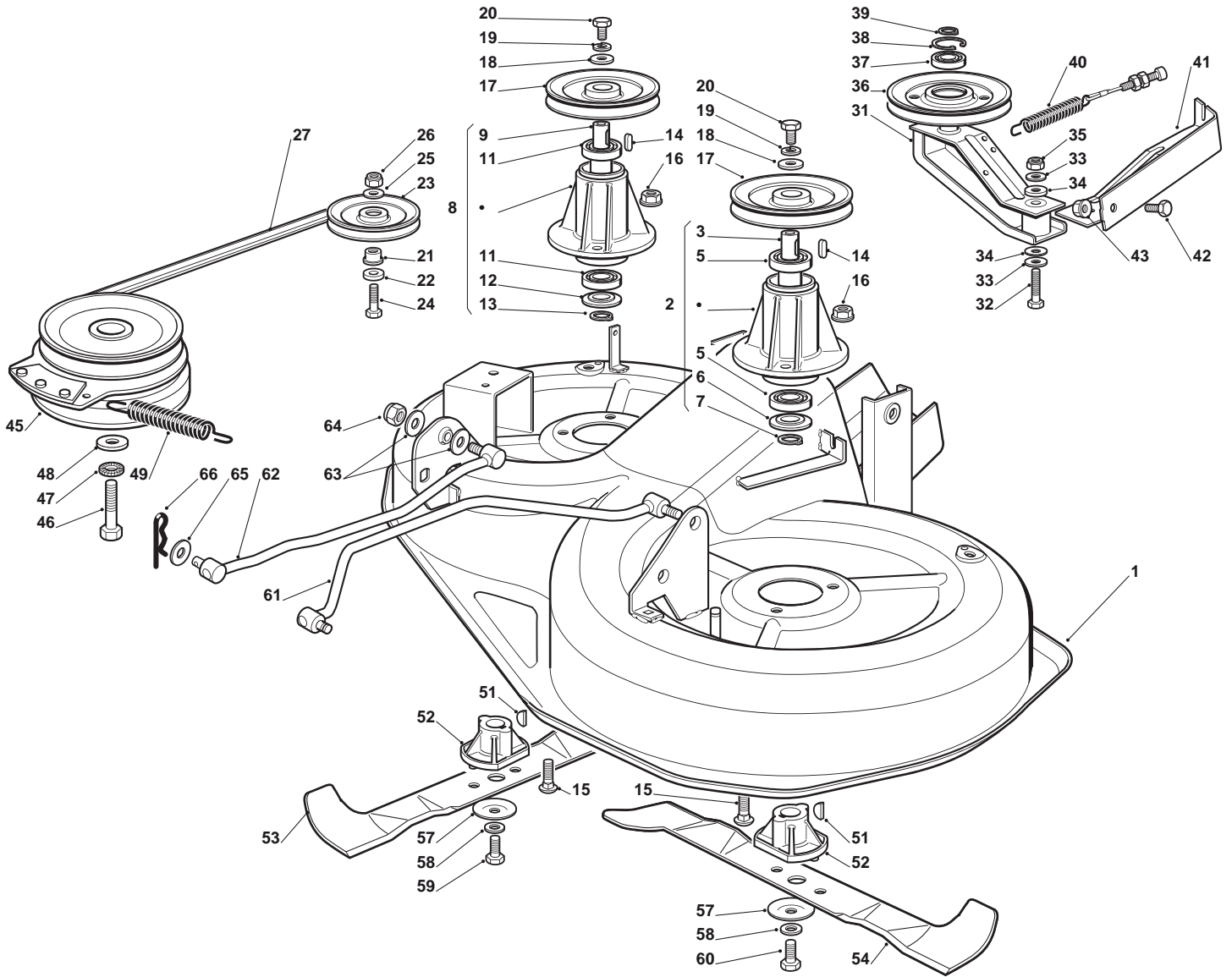


Ref. No.	Part No.	Q.ty	Description	Remarks
1	82774249/0	1	Clamp	
2	382318219/1	1	Lever	
3	325394535/0	1	Handle	
4	12674700/0	1	Screw	
5	12154510/0	1	Nut	
6	256501113/0	1	Plate	
7	12818690/0	2	Screw	
8	12293201/0	2	Nut	
9	22041980/0	2	Bush	
10	12523060/0	2	Washer	
11	12691600/0	1	Screw	
12	12155000/0	1	Nut	
13	25430259/0	1	Spring	
14	25735511/0	1	Sector	
15	12818690/0	2	Screw	
16	12293201/0	2	Nut	
17	82000387/0	1	Axle	
18	325547041/1	2	Plate	
19	12735160/0	4	Screw	
20	382000618/0	1	Rod	
21	25670011/0	1	Washer	
22	24487998/0	1	Cotter Pin	
23	12523040/0	1	Washer	
24	12154210/0	1	Nut	
25	122446402/1	1	Spring	
26	12792410/0	1	Screw	
27	12292102/0	2	Nut	
28	82000537/0	1	Connecting Rod	
29	25670008/1	2	Washer	
30	12156602/0	1	Nut	
31	24487998/0	1	Cotter Pin	
32	25840025/0	1	Tie Rod	
33	25670008/1	1	Washer	
34	24487998/0	1	Cotter Pin	
35	25510090/0	1	Pin	
36	12295200/0	1	Nut	
37	12156602/0	1	Nut	
38	25670008/1	2	Washer	
39	12156602/0	1	Nut	
40	12521360/0	2	Washer	
41	382000633/0	1	Axle	
42	27546015/1	2	Plate	
43	12731350/0	4	Screw	
44	25840024/0	1	Tie Rod	
45	25670008/1	1	Washer	
46	24487998/0	1	Cotter Pin	
47	25510098/0	1	Pin	
48	12295200/0	1	Nut	
49	12156602/0	1	Nut	
50	25670008/1	2	Washer	
51	12156602/0	1	Nut	
52	25840025/0	1	Tie Rod	
53	25670008/1	1	Washer	
54	24487998/0	1	Cotter Pin	
55	25510090/0	1	Pin	
56	12295200/0	1	Nut	
57	12156602/0	1	Nut	
58	25670008/1	2	Washer	
59	12156602/0	1	Nut	
60	25670008/1	1	Washer	



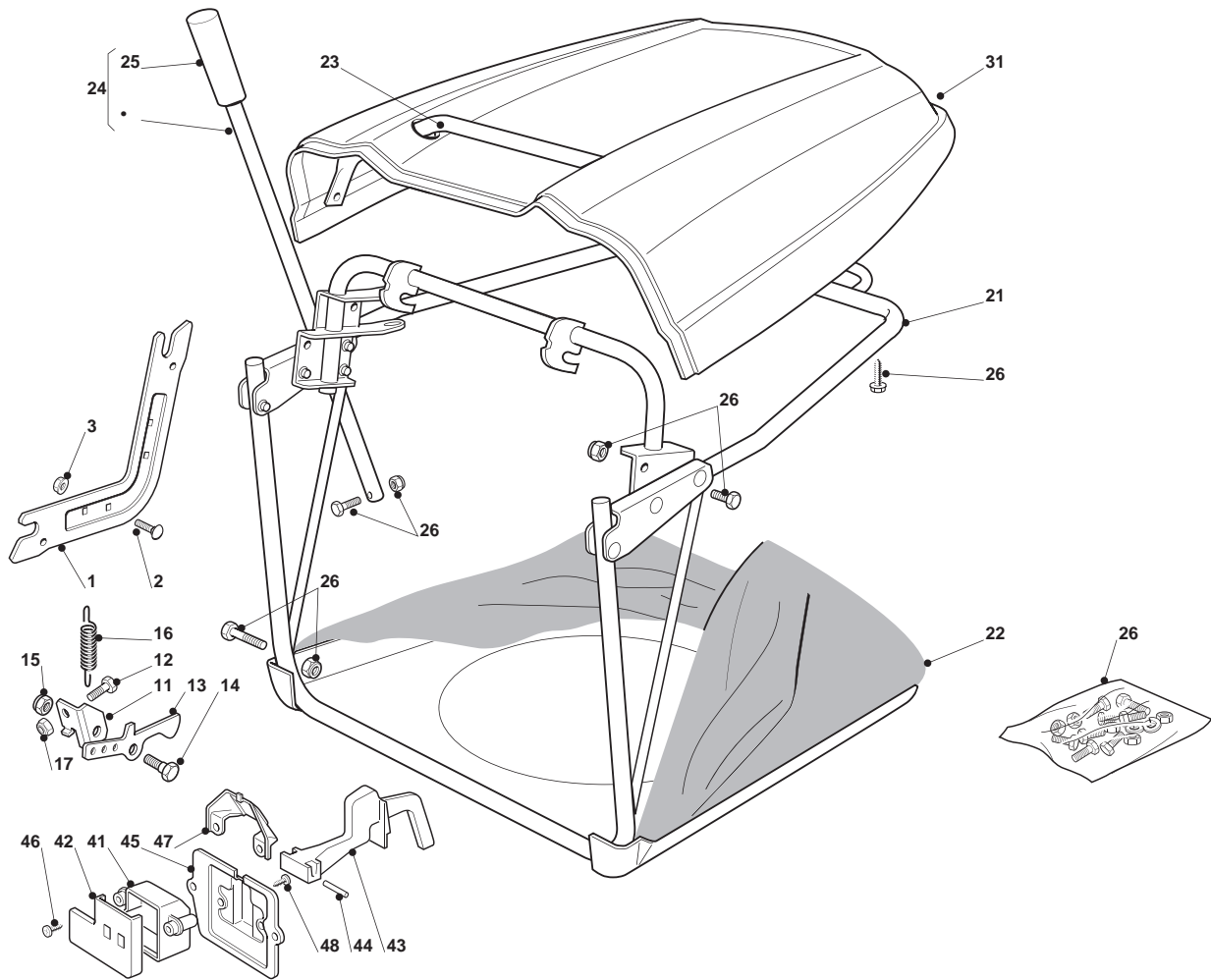


Ref. No.	Part No.	Q.ty	Description	Remarks
1	25060121/0	1	Case	
2	25060122/0	1	Case	
3	12735122/0	6	Screw	
4	12728535/0	4	Screw	
5	25774381/0	1	Bracket	
6	25774383/0	1	Bracket	
7	25033066/0	1	Water Hose Connection	
8	19035000/0	1	O Ring	
9	25033065/0	2	Water Hose Connection	
10	12500030/0	2	Rivet	
11	25869069/0	1	Connecting Tube	
12	25869068/0	1	Connecting Tube	
13	325160039/0	6	Spacer	
21	25060127/0	1	Case	
22	12791400/0	2	Screw	
23	12154510/0	2	Nut	
24	325160039/0	2	Spacer	
32	382108008/0	1	Conveyor	
33	25774373/0	2	Clamp	





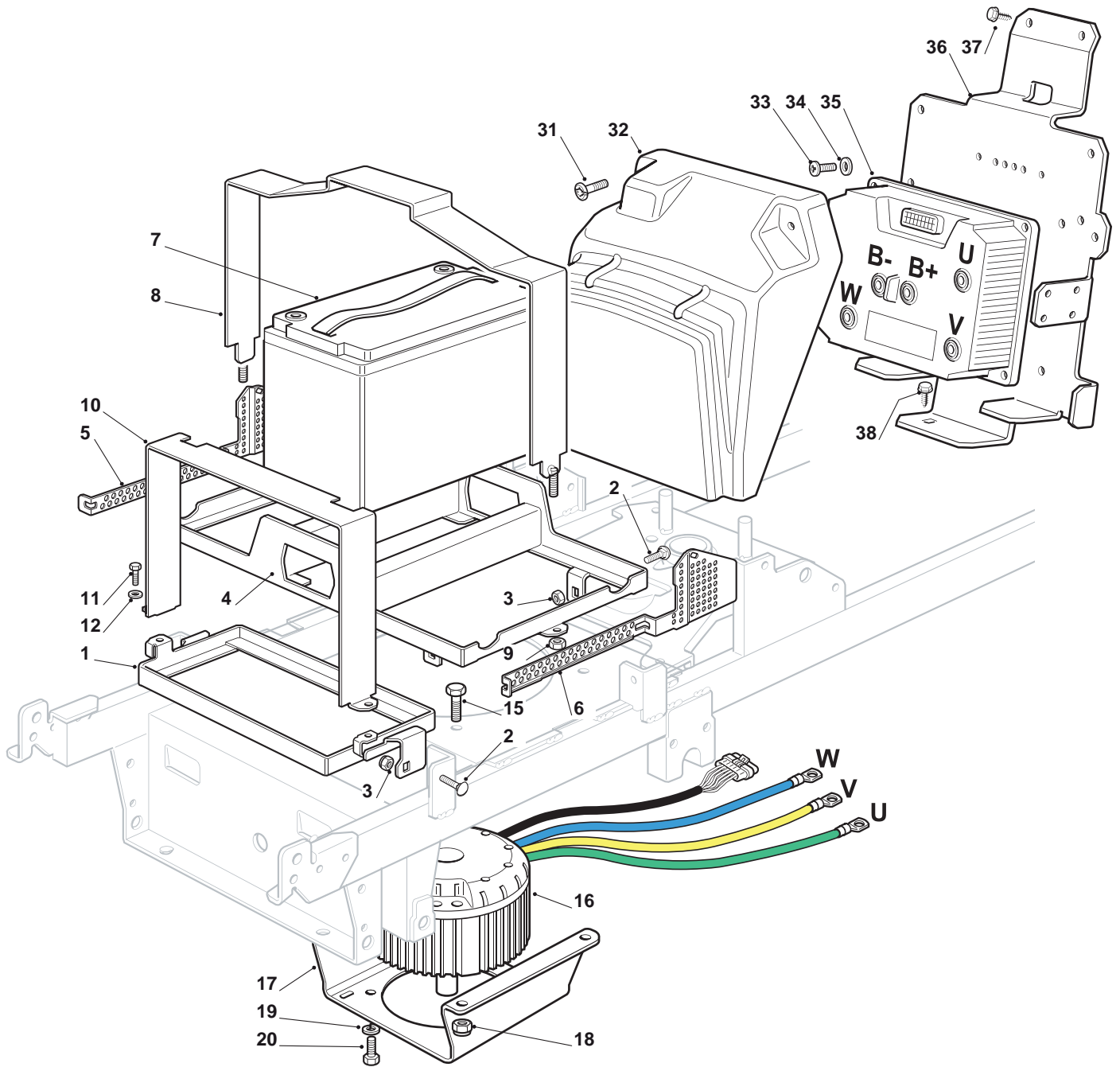
Ref. No.	Part No.	Q.ty	Description	Remarks
1	382564112/0	1	Plate, Yellow	
2	82207202/0	1	Left Flange Ass.Y (6÷10)	
3	25020802/0	1	Shaft	
5	119216047/0	2	Bearing	
6	25160501/0	1	Dust Cover	
7	12609260/0	1	Seeger	
8	82207203/0	1	Right Flange Ass.Y (12÷16)	
9	25020803/0	1	Shaft	
11	119216047/0	2	Bearing	
12	25160501/0	1	Dust Cover	
13	12609260/0	1	Seeger	
14	12139480/0	2	Key	
15	12818700/0	6	Screw	
16	12154210/0	6	Nut	
17	125601585/1	2	Pulley	
18	25670007/0	2	Washer	
19	12583500/0	2	Grower	
20	12793102/0	2	Screw	
21	25160007/0	1	Spacer	
22	25670007/0	1	Washer	
23	25601555/0	1	Pulley	
24	12691115/0	1	Screw	
25	12523060/0	1	Washer	
26	12155000/0	1	Nut	
27	35065701/0	1	Belt	
31	82318141/2	1	Lever	
32	12691700/0	1	Screw	
33	12523070/0	2	Washer	
34	22672152/0	2	Washer	
35	12155000/0	1	Nut	
36	25601564/0	1	Pulley	
37	119216048/0	1	Bearing	
38	12610800/0	1	Snap Ring	
39	12609200/0	1	Seeger	
40	82004618/0	1	Wire	
41	382774215/3	1	Clamp	
42	12792611/0	1	Screw	
43	12293201/0	1	Nut	
45	118399070/0	1	Clutc	
46	112737315/0	1	Screw	
47	12543000/0	1	Washer	
48	12521370/0	1	Washer	
49	25430259/0	1	Spring	
51	12139100/0	2	Feather	
52	25463200/0	2	Blade Hub	
53	82004354/0	1	Right Blade Mulching, Winged	
54	82004353/0	1	Left Blade Mulching, Winged	
57	22160400/0	2	Elastic Washer	
58	12523080/0	2	Washer	
59	12735695/1	1	Screw	
60	12735694/0	1	Screw	
61	82000535/0	1	Equalizer Rod	
62	82000533/0	1	Equalizer Rod	
63	25670008/1	4	Washer	
64	12156602/0	2	Nut	
65	25670008/1	2	Washer	
66	24487998/0	2	Cotter Pin	





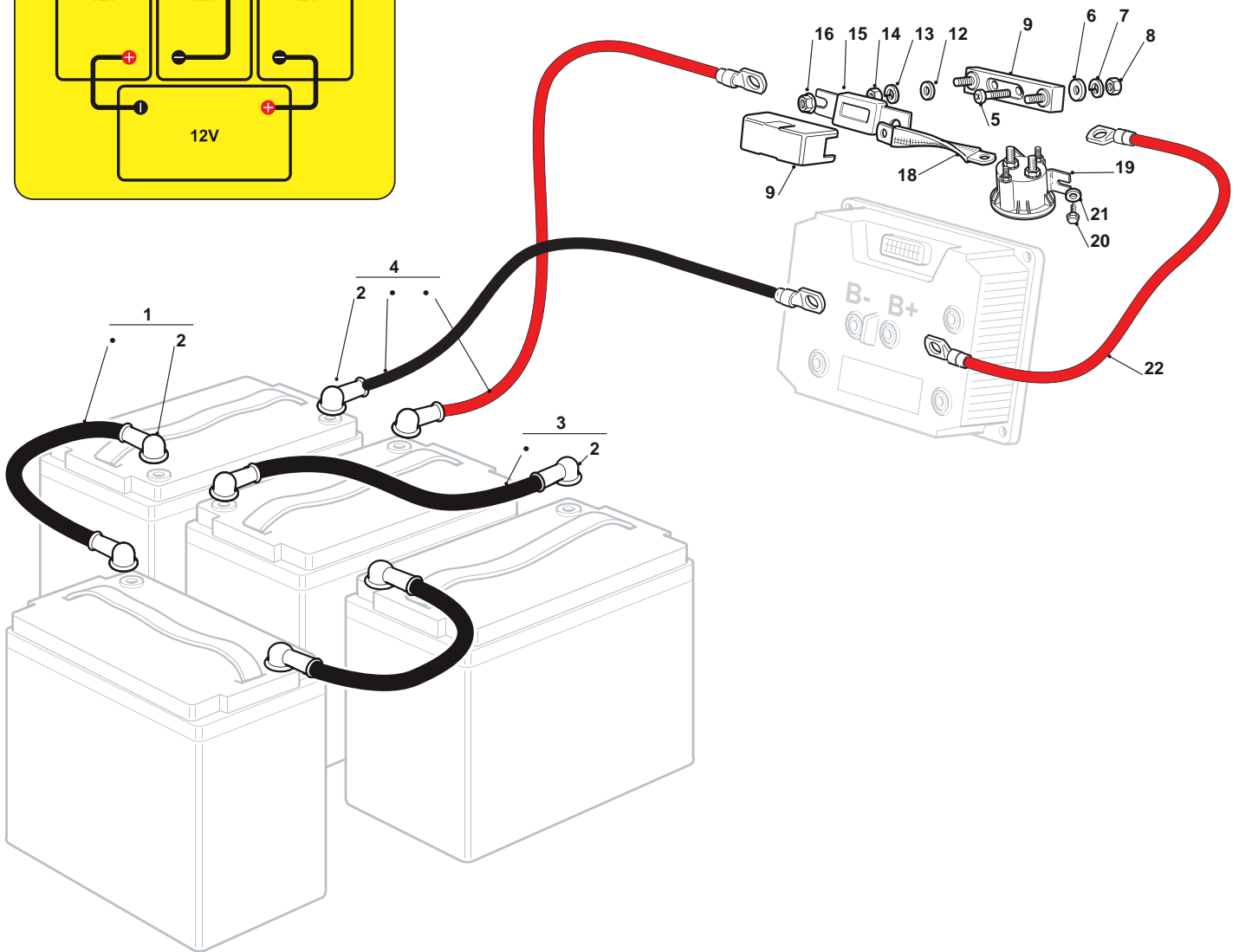
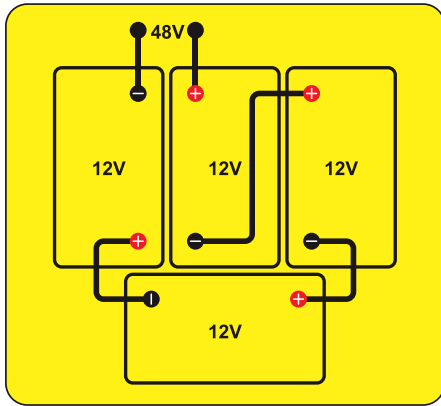


Ref. No.	Part No.	Q.ty	Description	Remarks
1	25785275/0	2	Support	
2	12818690/0	4	Screw	
3	12293201/0	4	Nut	
11	325755031/1	1	Bracket	
12	12789000/0	1	Screw	
12	12789000/0	1	Screw	
13	325774315/1	1	Bracket	
14	125510080/1	1	Pin	
15	12292102/0	1	Nut	
16	22450432/0	1	Spring	
17	12154330/0	1	Nut	
21	82800111/0	1	Front Frame	
22	82105973/0	1	Grasscatcher	
23	82394003/0	1	Front Handle	
24	82869023/0	1	Rod	
25	25394508/0	1	Handle	
26	82180048/0	1	Screws Outfit	
31	25110319/0	1	Grass-Catcher Cover, Yellow	
41	25600041/0	1	Micro Protection	
42	25600042/0	1	Protection Cover	
43	25318124/0	1	Lever	
44	12400030/0	1	Pin	
45	25785272/0	1	Micro Protection	
46	12728510/0	1	Screw	
47	25600048/0	1	Deflector Cover	
48	12735110/0	2	Screw	



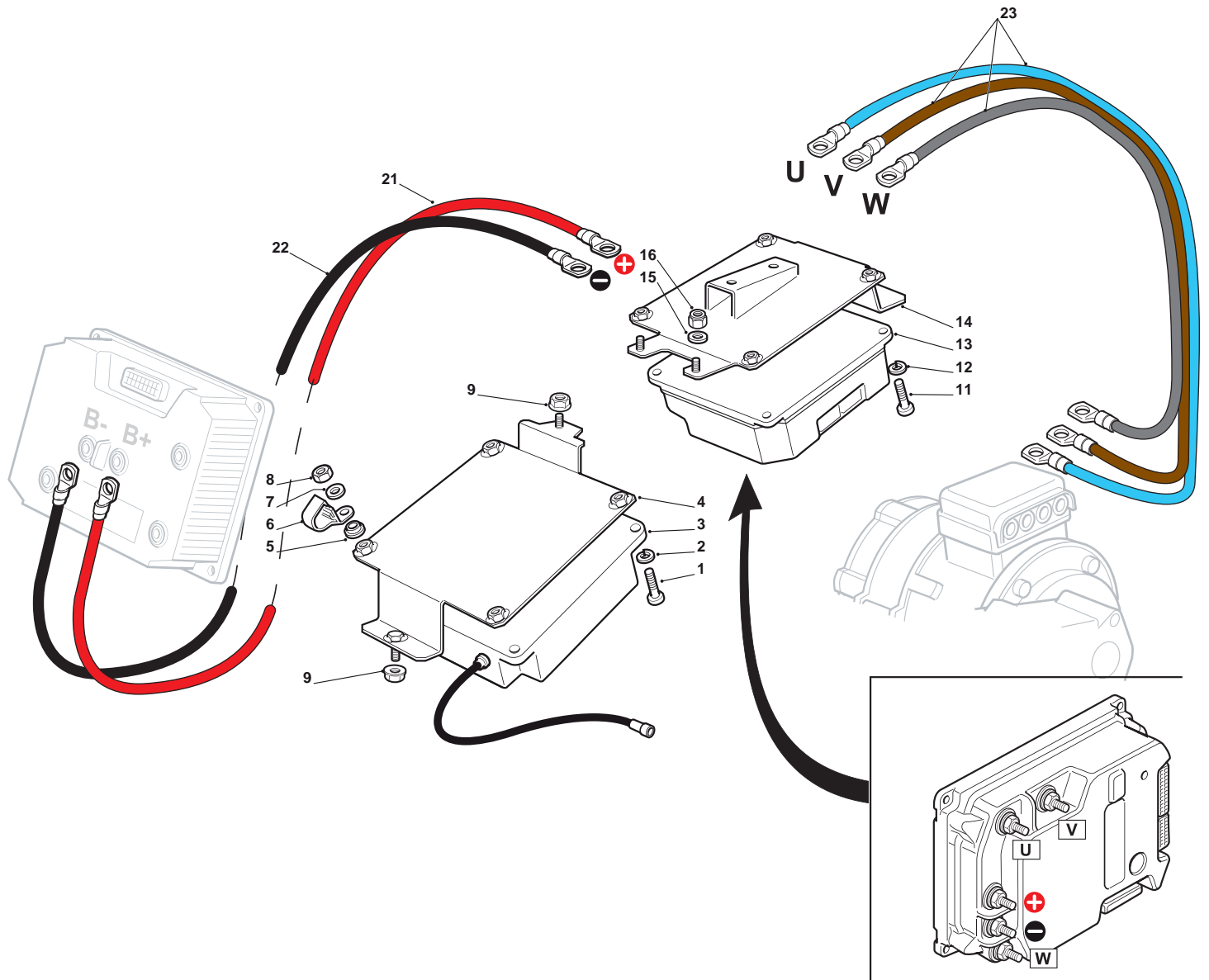


Ref. No.	Part No.	Q.ty	Description	Remarks
1	382800137/0	1	Chassis-Battery-Support	
2	12818690/0	6	Screw	
3	12155000/0	6	Nut	
4	382800135/0	1	Chassis-Battery-Support	
5	325600099/0	1	Guard	
6	325600101/0	1	Guard	
7	9400-0372-01	4	Battery	
8	125840033/0	1	Tie Rod	
9	12155000/0	2	Nut	
10	125840034/0	1	Tie Rod	
11	112791200/1	2	Screw	
12	12582100/0	2	Grower	
15	12794300/0	4	Screw	
16	118563020/0	1	Electric Motor	
17	382547073/0	1	Electric Motor Support	
18	12156602/0	4	Nut	
19	12583500/0	4	Grower	
20	12793102/0	4	Screw	
31	112727803/0	2	Screw	
32	325060162/0	1	Guard	
33	12727793/0	4	Screw	
34	12582100/0	4	Grower	
35	9400-0367-01	1	Control Box	
36	325785371/0	1	Support	
37	12735121/0	2	Screw	
38	12729601/1	1	Screw	



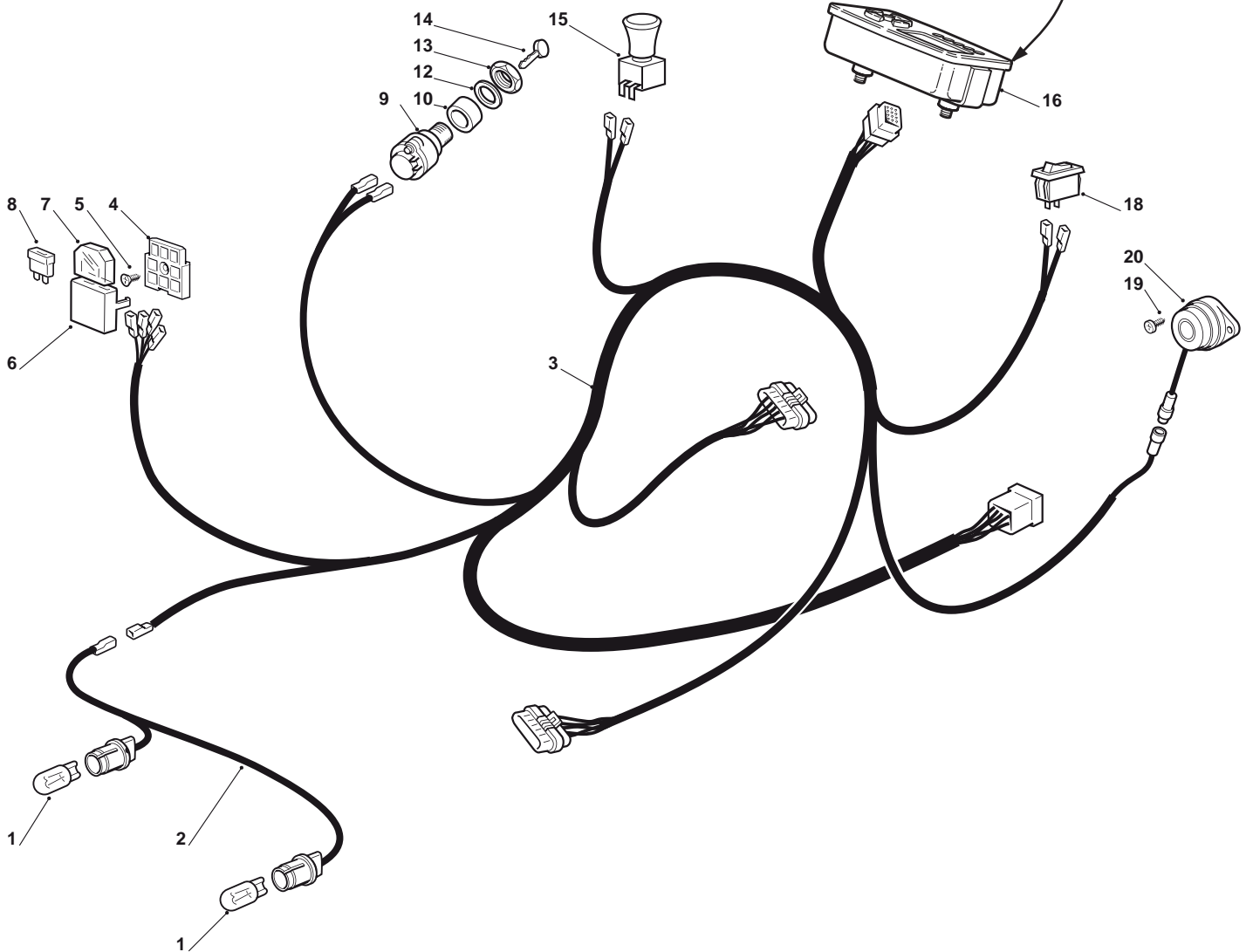
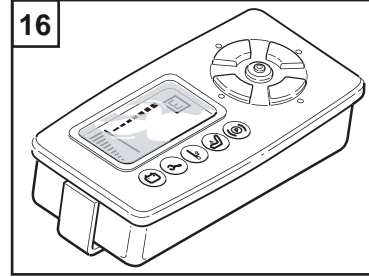


Ref. No.	Part No.	Q.ty	Description	Remarks
1	182040166/0	2	Battery Cable (L=250)	
2	9400-0379-01	8	Pole Guard	
3	182040167/0	1	Battery Cable (L=370)	
4	182040165/0	1	Battery Cable	
5	12727795/0	2	Screw	
6	12523020/0	2	Washer	
7	12581500/0	4	Grower	
8	12291000/0	2	Nut	
9	133500012/0	1	Fuse Carrier	
12	12521350/0	2	Washer	
13	12583500/0	2	Grower	
14	12293200/0	2	Nut	
15	133340041/0	1	Fuse	
16	12293201/0	2	Nut	
18	182040172/0	1	Cable	
19	9400-0369-01	1	Relay	
20	12727793/0	2	Screw	
21	12582100/0	2	Grower	
22	182040168/0	1	Cable (L=280)	





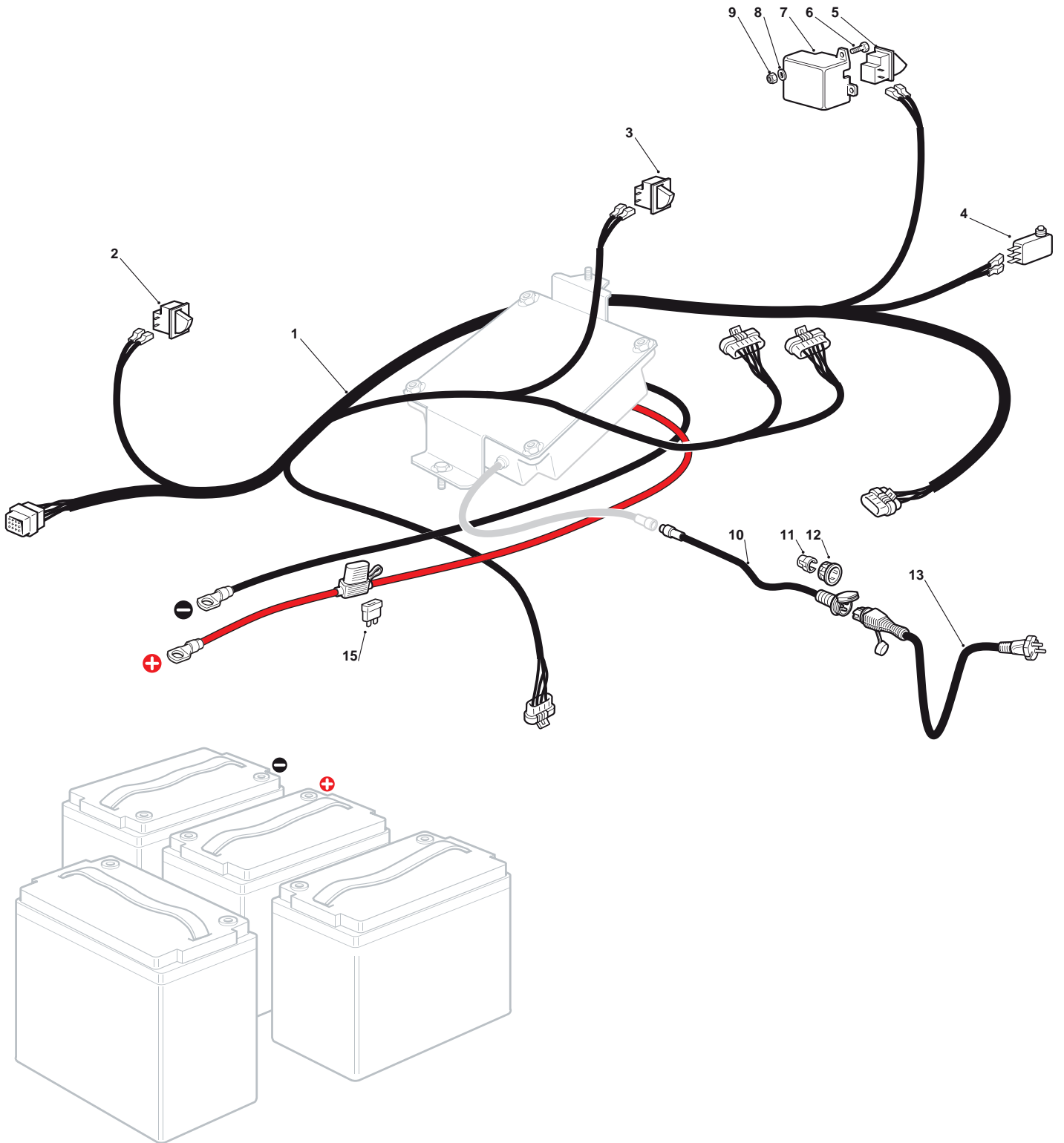
Ref. No.	Part No.	Q.ty	Description	Remarks
1	12727793/0	4	Screw	
2	12582101/0	4	Grower	
3	182180113/0	1	Battery Charger	
4	325785395/0	1	Support	
5	325160039/0	1	Spacer	
6	322192156/0	1	Clip	
7	12523040/0	1	Washer	
8	12154510/0	1	Nut	
9	12293201/0	2	Nut	
11	12727795/0	4	Screw	
12	12581500/0	4	Grower	
13	9400-0366-01	1	Control Box	
14	325785369/0	1	Support	
15	12523040/0	3	Washer	
16	12154510/0	3	Nut	
21	182040171/0	1	Cable + (L=1150)	
22	182040170/0	1	Cable - (L=1150)	
23	182040169/0	1	Transmission Power Wires	





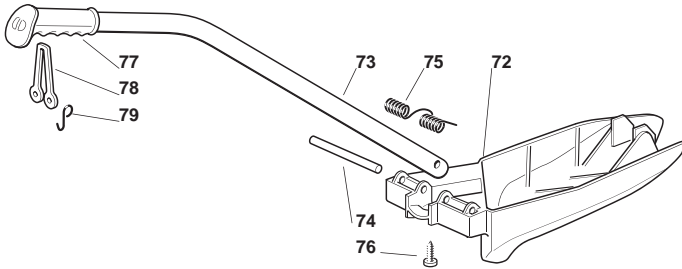
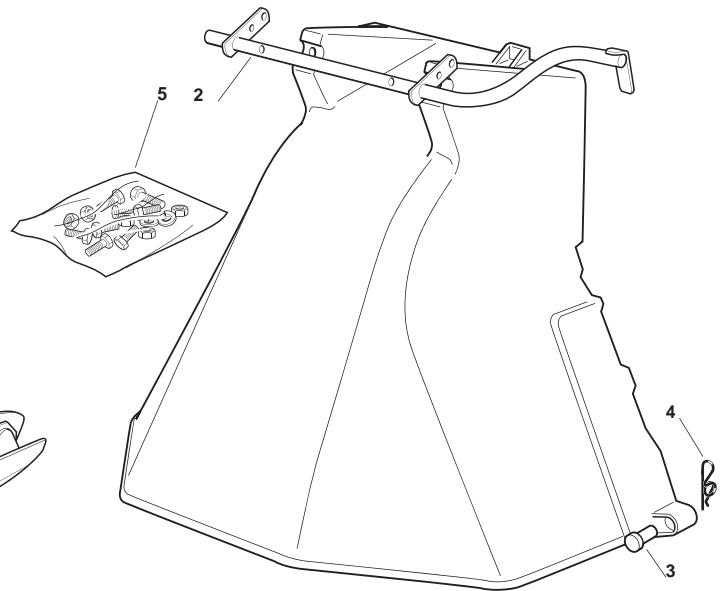
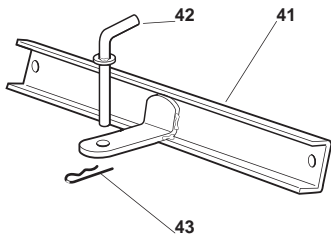


Ref. No.	Part No.	Q.ty	Description	Remarks
1	18459100/0	2	Farilamp For Lights	
2	182040175/0	1	Cable	
3	182040163/0	1	Cables Ass.Y	
4	133500010/1	1	Plate	
5	12735170/0	1	Screw	
6	33500007/0	2	Fuse Carrier	
7	33215000/0	2	Cover	
8	133340042/0	1	Fuse 5 A	
8	33340037/0	1	Fuse 7,5 A	
9	125033500/0	1	Starting Switch	
10	18550136/0	1	Spacer	
12	18550135/0	1	Washer	
13	18400862/0	1	Ringnut	
14	18210022/0	1	Starting Key	
15	118450074/0	1	Clutch Switch	
16	1137-0202-01	1	Display	
18	18450060/1	1	Farilamp Switch	
19	12735170/0	2	Screw	
20	1134-7530-02	1	Buzzer	



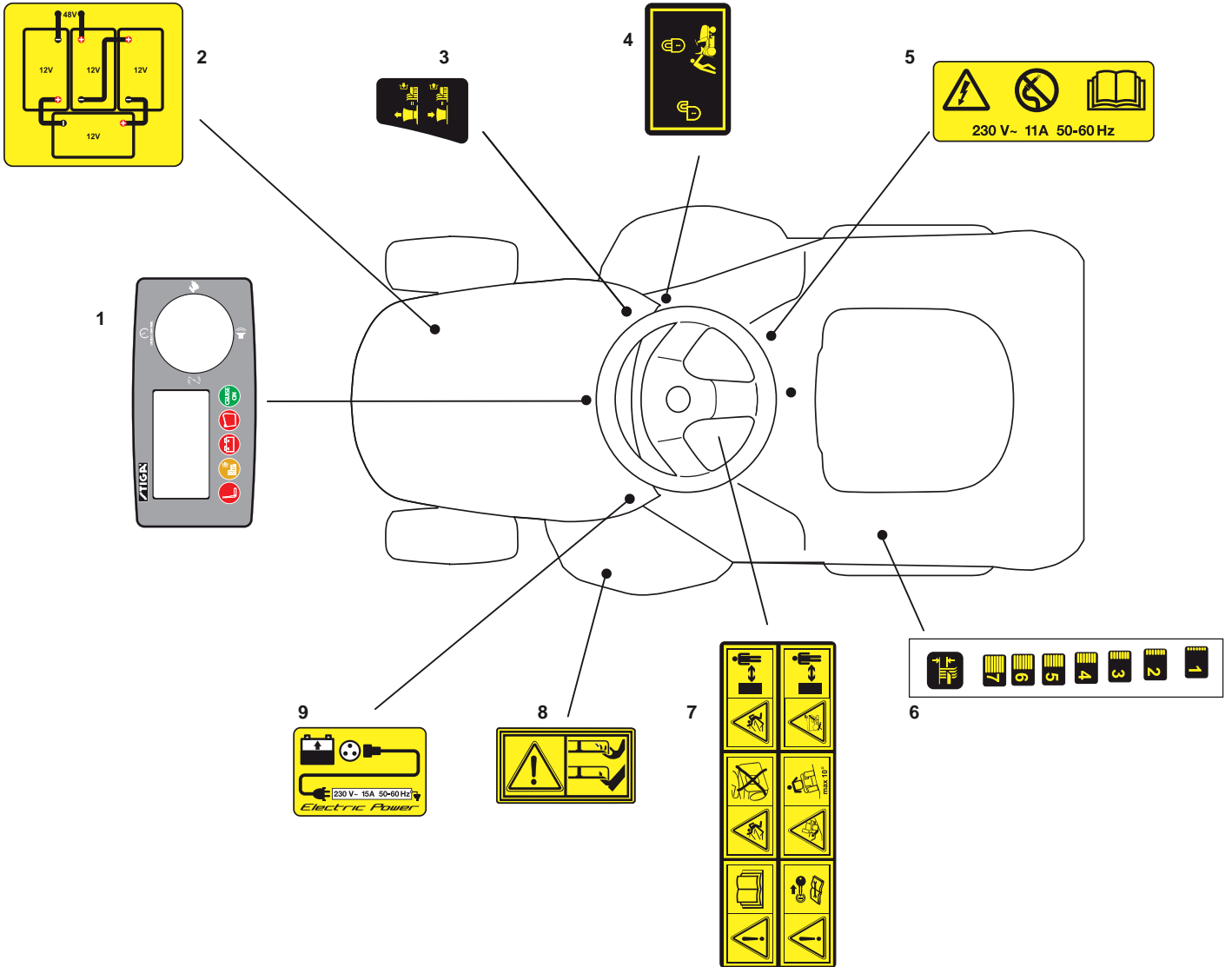


Ref. No.	Part No.	Q.ty	Description	Remarks
1	182040164/0	1	Cables Ass.Y	
2	119410613/0	1	Microswitch	
3	119410613/0	1	Microswitch	
4	19410605/1	1	Microswitch	
5	119410613/0	1	Microswitch	
6	12789000/0	3	Screw	
7	325600104/0	1	Micro Protection	
8	12521320/0	3	Washer	
9	12154330/0	3	Nut	
10	1137-0409-01	1	Intake cable	
11	1137-0411-01	1	Retainer	
12	1137-0412-01	1	Expandable sleeve	
13	1137-0410-01	1	Main supply cable	
15	1134-3496-06	1	Fuse 20 A	





Ref. No.	Part No.	Q.ty	Description	Remarks
2	82869035/0	1	Support	
3	25510022/0	2	Pin	
4	24487998/0	2	Cotter Pin	
5	82180062/0	1	Screws Outfit	
42	25510021/1	1	Pin	
43	24487999/0	1	Cotter Pin	
72	25140093/0	1	Deflector	
73	25394007/0	1	Handle	
74	25510077/0	1	Pin	
75	25430245/0	1	Spring	
76	12735410/0	1	Screw	
77	25280000/1	1	Handgrip	
78	25840011/1	1	Elastic Tie-Rod	
79	25253004/0	2	Hook	





Ref. No.	Part No.	Q.ty	Description	Remarks
1	125420021/0	1	Check Control	
2	114365726/0	1	Label	
3	114365725/0	1	Label	
4	114365792/0	1	Label	
5	114365858/0	1	Label	
6	14361441/0	1	Label	
7	114361553/1	1	Label	
8	114356699/1	1	Label	
9	114365724/0	1	Label	