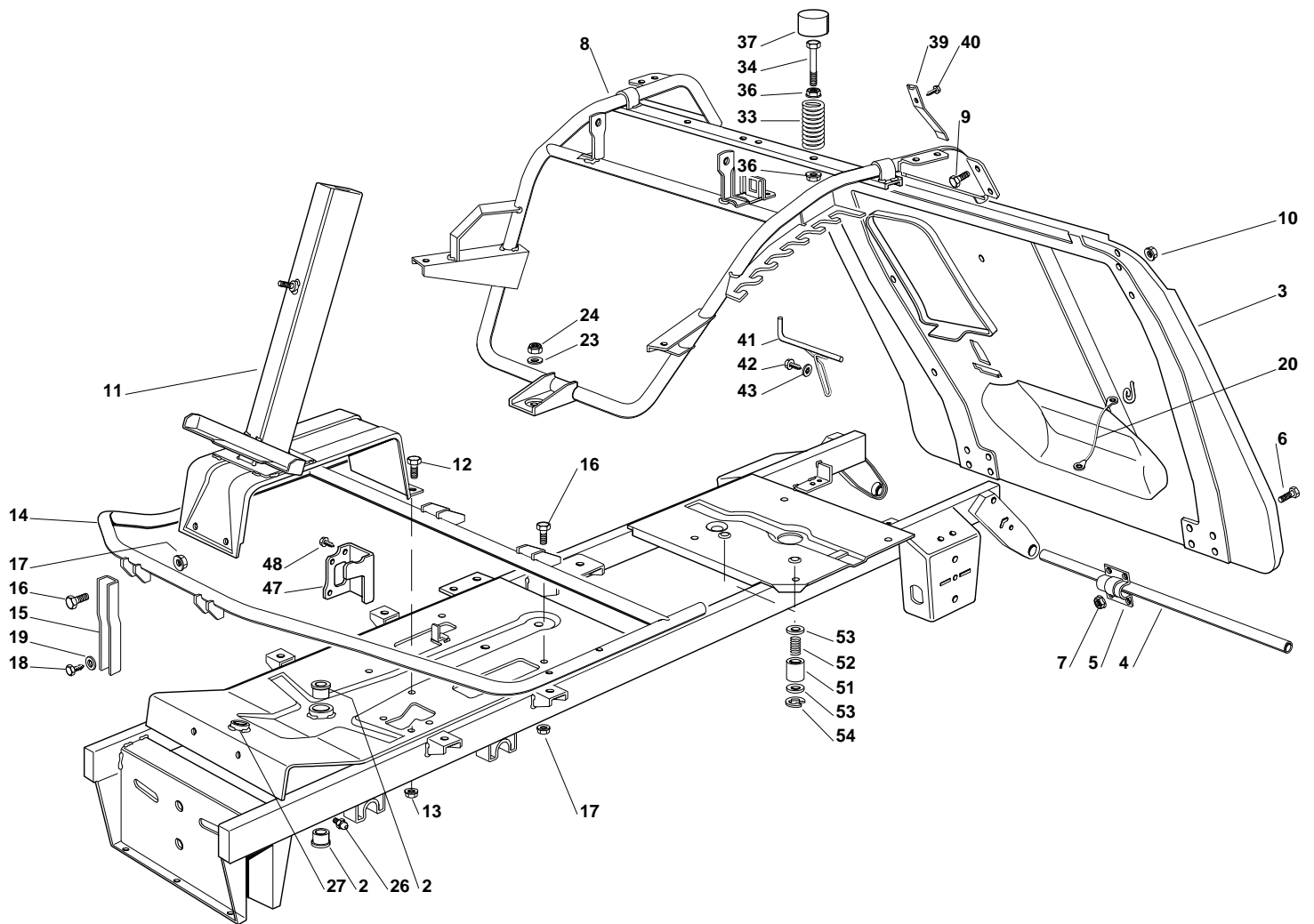


Genuine Spare Parts



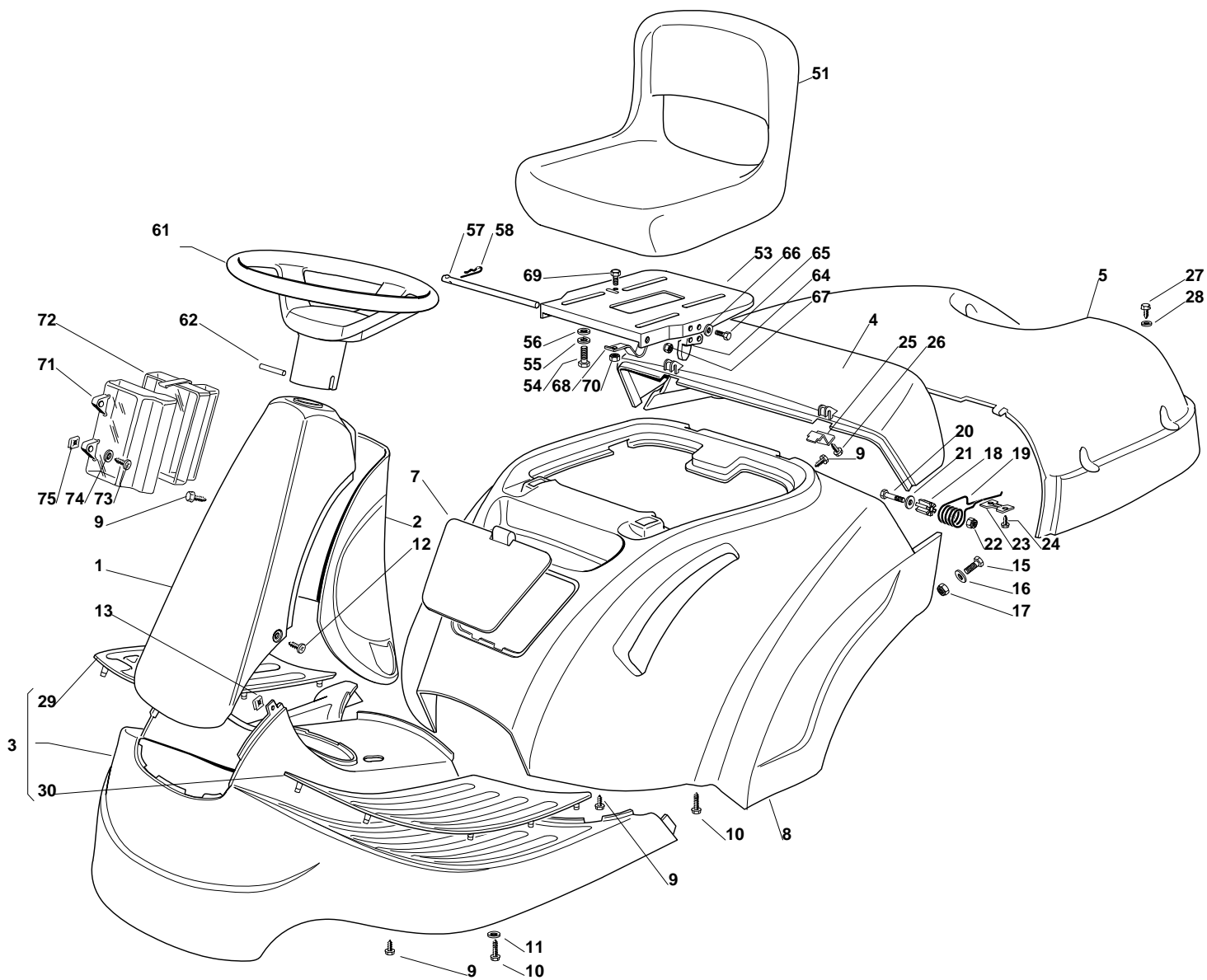
Garden Combi HST 14





GARDEN COMBI HST - Model Year 2010

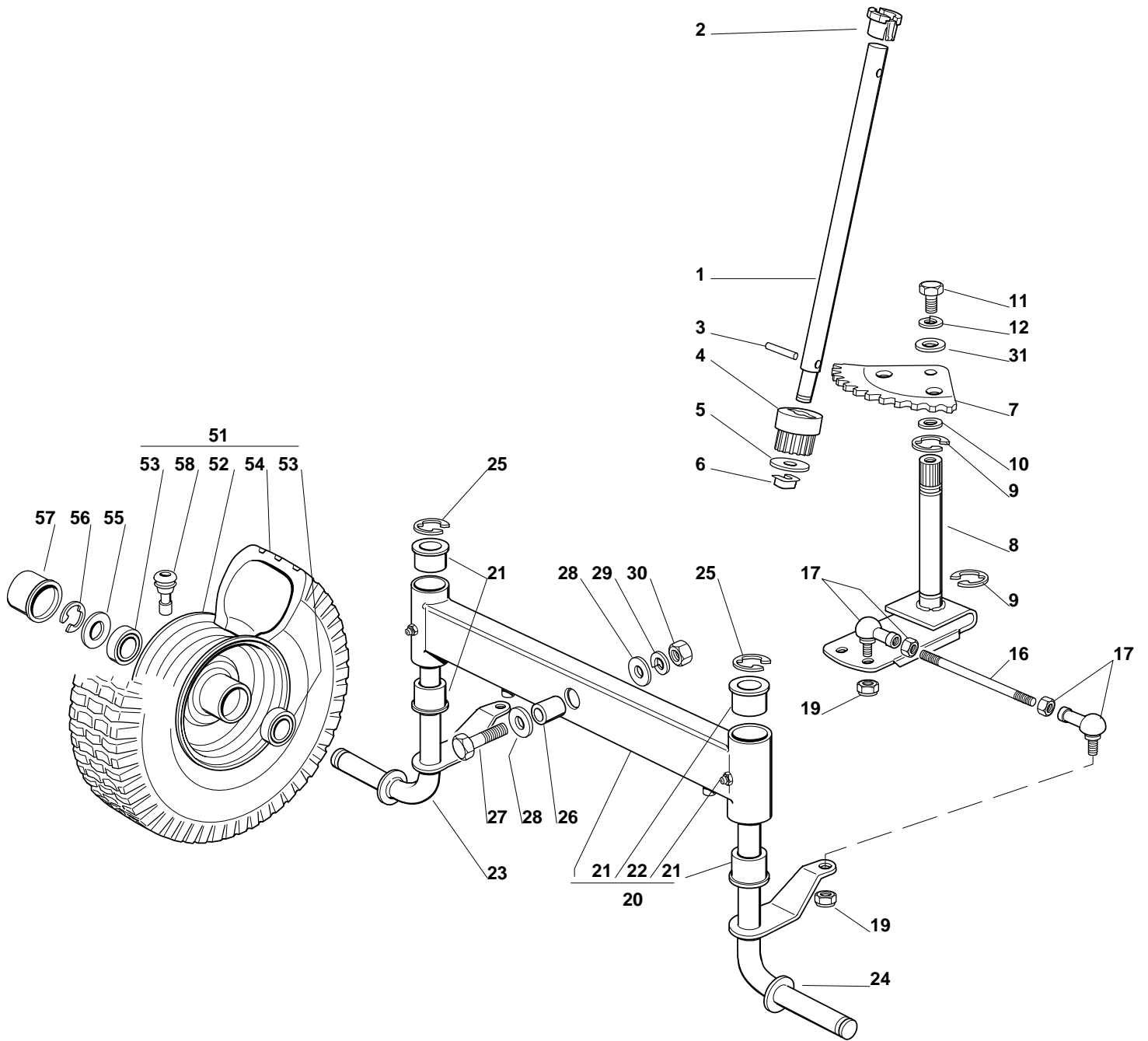
| Pos. Fig. | Antal Quantity | Art No Part No | Benämning | Description | Anmärkning Notes |
|-----------|----------------|----------------|-------------|------------------|------------------|
| 2 | 2 | 25034002/1 | Bussning | Brass | |
| 3 | 1 | 84545057/3 | Mothill | Plate | |
| 4 | 1 | 27037000/1 | Sprint | Pin | |
| 5 | 2 | 25547012/1 | Mothill | Plate | |
| 6 | 8 | 112791200/1 | Skruv | Screw | |
| 7 | 8 | 12292102/0 | Mutter | Nut | |
| 8 | 1 | 84801127/0 | Chassi | Chassis | |
| 9 | 4 | 12792611/0 | Skruv | Screw | |
| 10 | 4 | 12293201/0 | Mutter | Nut | |
| 11 | 1 | 84783027/0 | Support | Support | |
| 12 | 4 | 12792611/0 | Skruv | Screw | |
| 13 | 4 | 12293201/0 | Mutter | Nut | |
| 14 | 1 | 384801107/2 | | | |
| 15 | 2 | 27787025/0 | Stöd | Support | |
| 16 | 4 | 12792611/0 | Skruv | Screw | |
| 17 | 4 | 12293201/0 | Mutter | Nut | |
| 18 | 2 | 12734995/0 | Skruv | Screw | |
| 19 | 2 | 12521331/0 | Bricka | Washer | |
| 20 | 1 | 84040300/0 | Cord | Cord | |
| 23 | 1 | 12523060/0 | Bricka | Washer | |
| 24 | 1 | 12155000/0 | Mutter | Nut | |
| 26 | 1 | 12379511/0 | Smörjnippel | Grease Dispenser | |
| 27 | 1 | 25034001/0 | Bussning | Bush | |
| 33 | 2 | 27430575/0 | Fjäder | Spring | |
| 34 | 2 | 27943050/0 | Skruv | Screw | |
| 36 | 4 | 12293201/0 | Mutter | Nut | |
| 37 | 2 | 25122000/2 | Styrning | Hood | |
| 39 | 1 | 27430554/0 | Fjäder | Spring | |
| 40 | 1 | 12735110/0 | Skruv | Screw | |
| 41 | 1 | 27294001/0 | Guide | Guide | |
| 42 | 1 | 12735120/0 | Skruv | Screw | |
| 43 | 1 | 12523040/0 | Bricka | Washer | |
| 47 | 1 | 27772095/0 | Klämma | Clamp | |
| 48 | 2 | 12735106/0 | Skruv | Screw | |
| 51 | 2 | 27047012/0 | Bussning | Bush | |
| 52 | 2 | 27430577/0 | Fjäder | Spring | |
| 53 | 4 | 25670008/1 | Bricka | Washer | |
| 54 | 2 | 12000955/0 | Låsring | Circlip | |





GARDEN COMBI HST - Model Year 2010

| Pos. Fig. | Antal Quantity | Art No Part No | Benämning | Description | Anmärkning Notes |
|-----------|----------------|----------------|-----------------------|------------------------------------|------------------|
| 1 | 1 | 84598086/0 | Frontkåpa | Front Cover, Grey | |
| 2 | 1 | 27600117/0 | Skydd | Rear Cover, Yellow | |
| 3 | 1 | 84110131/0 | Handtagslock | Footboard Cover, Yellow | |
| 4 | 1 | 27110360/0 | Kåpa | Grass-Catcher Cover, Fixed, Yellow | |
| 5 | 1 | 27110361/0 | Kåpa | Grass-Catcher Cover Mobile, Yellow | |
| 7 | 1 | 27109516/0 | Kåpa | Front Cover, Yellow | |
| 8 | 1 | 84110136/1 | Kåpa | Wheels Cover, Yellow | |
| 9 | 10 | 12735402/0 | Skruv | Screw | |
| 10 | 8 | 12735410/0 | Skruv | Screw | |
| 11 | 4 | 12523040/0 | Bricka | Washer | |
| 12 | 2 | 12727790/0 | Skruv | Screw | |
| 13 | 2 | 12437503/0 | Mutter | Nut | |
| 15 | 2 | 112791200/1 | Skruv | Screw | |
| 16 | 2 | 12523040/0 | Bricka | Washer | |
| 17 | 2 | 12154510/0 | Mutter | Nut | |
| 18 | 2 | 27047003/0 | Bussning | Bush | |
| 19 | 2 | 27430551/1 | Fjäder | Spring | |
| 20 | 2 | 12691200/0 | Skruv | Screw | |
| 21 | 2 | 12523070/0 | Bricka | Washer | |
| 22 | 2 | 12155000/0 | Mutter | Nut | |
| 23 | 2 | 27546001/0 | Plåt | Plate | |
| 24 | 4 | 12735402/0 | Skruv | Screw | |
| 25 | 2 | 27546003/0 | Plåt | Plate | |
| 26 | 2 | 12735402/0 | Skruv | Screw | |
| 27 | 4 | 12729601/1 | Skruv | Screw | |
| 28 | 4 | 12521331/0 | Bricka | Washer | |
| 29 | 1 | 27110304/0 | Right Footboard Cover | Right Footboard Cover | |
| 30 | 1 | 27110305/0 | Left Footboard Cover | Left Footboard Cover | |
| 41 | 1 | 84000250/1 | Gasreglage | Accelerator | |
| 42 | 2 | 125943007/0 | Skruv | Screw | |
| 44 | 1 | 25394501/0 | Handtag | Handle | |
| 45 | 1 | 12726388/0 | Skruv | Screw | |
| 46 | 1 | 12290800/0 | Mutter | Nut | |
| 51 | 1 | 25722456/0 | Seat | Seat | |
| 53 | 1 | 25547033/1 | Mothåll | Plate | |
| 54 | 4 | 12793101/0 | Skruv | Screw | |
| 55 | 4 | 12583500/0 | Låsbricka | Grower | |
| 56 | 4 | 12523060/0 | Bricka | Washer | |
| 57 | 1 | 27864052/0 | Sprint | Pin | |
| 58 | 1 | 24487997/0 | Låsnål | Cotter Pin | |
| 61 | 1 | 25961209/0 | Ratt | Steering Wheel | |
| 62 | 1 | 12620299/0 | Stift | Pin | |
| 64 | 1 | 27063021/1 | Fäste | Cam | |
| 65 | 2 | 12789100/0 | Skruv | Screw | |
| 66 | 2 | 12523020/0 | Bricka | Washer | |
| 67 | 2 | 12154330/0 | Mutter | Nut | |
| 68 | 1 | 25430223/2 | Fjäder | Spring | |
| 69 | 1 | 12789000/0 | Skruv | Screw | |
| 70 | 1 | 12154330/0 | Mutter | Nut | |
| 71 | 1 | 25600020/0 | Lock | Upper Guard | |
| 72 | 1 | 25600021/1 | Skydd | Lower Guard | |
| 73 | 2 | 12728460/0 | Skruv | Screw | |
| 74 | 2 | 12521320/0 | Bricka | Washer | |
| 75 | 2 | 12437502/0 | Mutter | Nut | |

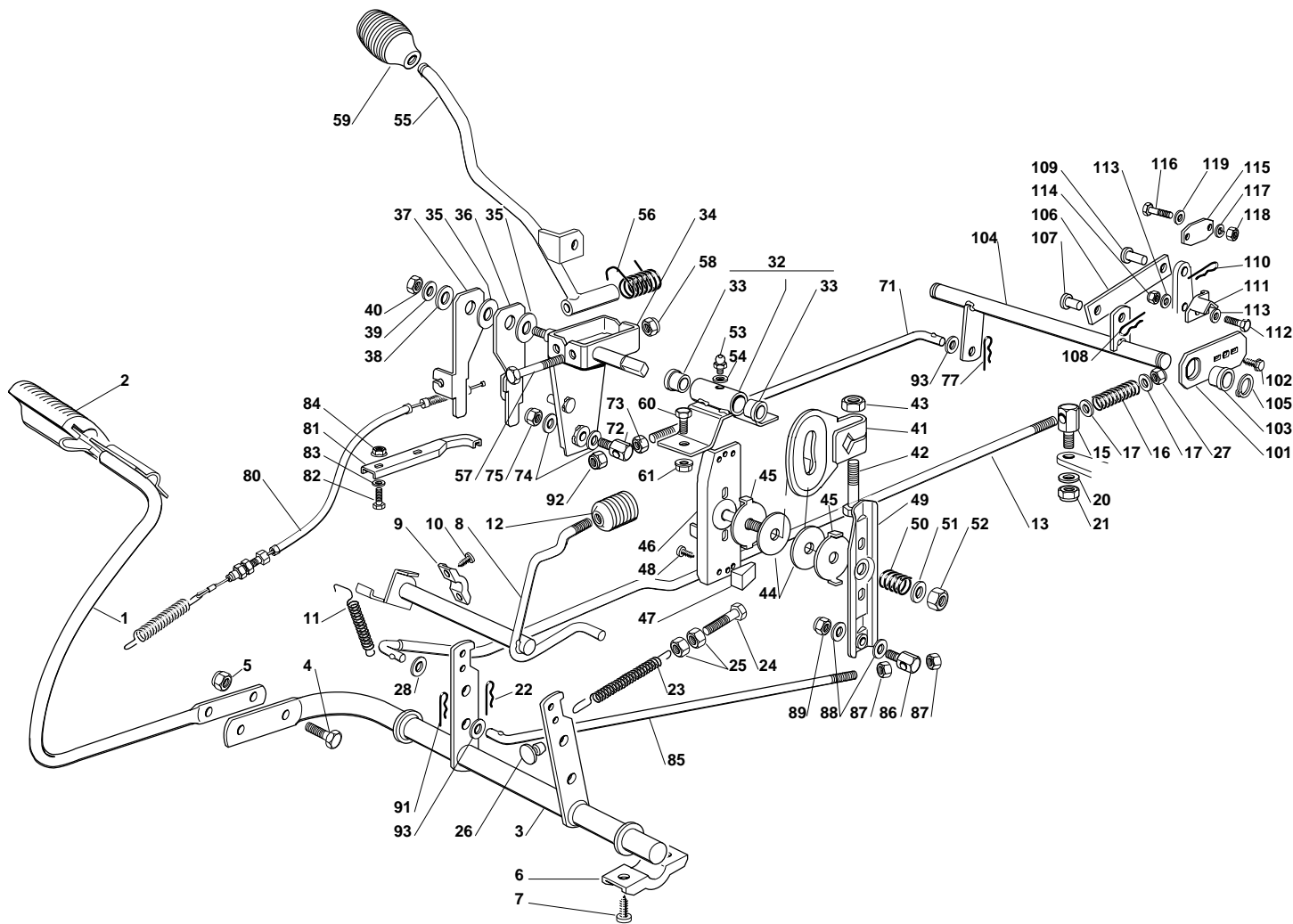




GARDEN COMBI HST - Model Year 2010

| Pos. Fig. | Antal Quantity | Art No Part No | Benämning | Description | Anmärkning Notes |
|-----------|----------------|----------------|-----------------|-----------------------|------------------|
| 1 | 1 | 27520050/0 | Steering Column | Steering Column | |
| 2 | 1 | 25038004/0 | Bussning | Bush | |
| 3 | 1 | 12622650/0 | Stift | Pin | |
| 4 | 1 | 27570050/0 | Drev | Pinion | |
| 5 | 1 | 12521370/0 | Bricka | Washer | |
| 6 | 1 | 12436030/0 | Platta | Plate | |
| 7 | 1 | 84735551/0 | Sector | Steering Shaft | |
| 8 | 1 | 84000501/0 | Axel | Shaft | |
| 9 | 2 | 12001000/0 | Låsring | Snap Ring | |
| 10 | 2 | 12520031/0 | Bricka | Washer | |
| 11 | 1 | 12793102/0 | Skruv | Screw | |
| 12 | 1 | 12583500/0 | Låsbricka | Grower | |
| 16 | 2 | 27840050/0 | Gasreglagelänk | Tie Rod | |
| 17 | 4 | 22746600/0 | Ledklåpa, vä+hö | Joint | |
| 19 | 4 | 12156602/0 | Mutter | Nut | |
| 20 | 1 | 84034057/0 | Equalizer | Equalizer | |
| 21 | 4 | 25034002/1 | Bussning | Brass | |
| 22 | 2 | 12379511/0 | Smörjnippel | Grease Dispenser | |
| 23 | 1 | 84230401/0 | Right Stub Axle | Right Stub Axle | |
| 24 | 1 | 84230403/0 | Left Stub Axle | Left Stub Axle | |
| 25 | 2 | 12001000/0 | Låsring | Snap Ring | |
| 26 | 1 | 25160016/0 | Distans | Spacer | |
| 27 | 1 | 12692695/0 | Skruv | Screw | |
| 28 | 2 | 12523100/0 | Bricka | Washer | |
| 29 | 1 | 12587100/0 | Grower | Grower | |
| 30 | 1 | 12295300/0 | Mutter | Nut | |
| 31 | 1 | 12521350/0 | Bricka | Washer | |
| 51 | 2 | 84680055/1 | Framhjul Kpl | Front Wheel Deli Tire | |
| 52 | 2 | 84044000/0 | Rimm | Rimm | |
| 53 | 4 | 25122200/2 | Lager | Bearing | |
| 54 | 2 | 27590052/0 | Dack | Shoe Deli Tire | |
| 55 | 2 | 25670005/1 | Bricka | Washer | |
| 56 | 2 | 12001000/0 | Låsring | Snap Ring | |
| 57 | 2 | 22110230/0 | Lock | Cap | |
| 58 | 2 | 25950000/0 | Ventil | Valve | |

GARDEN COMBI HST - Model Year 2010

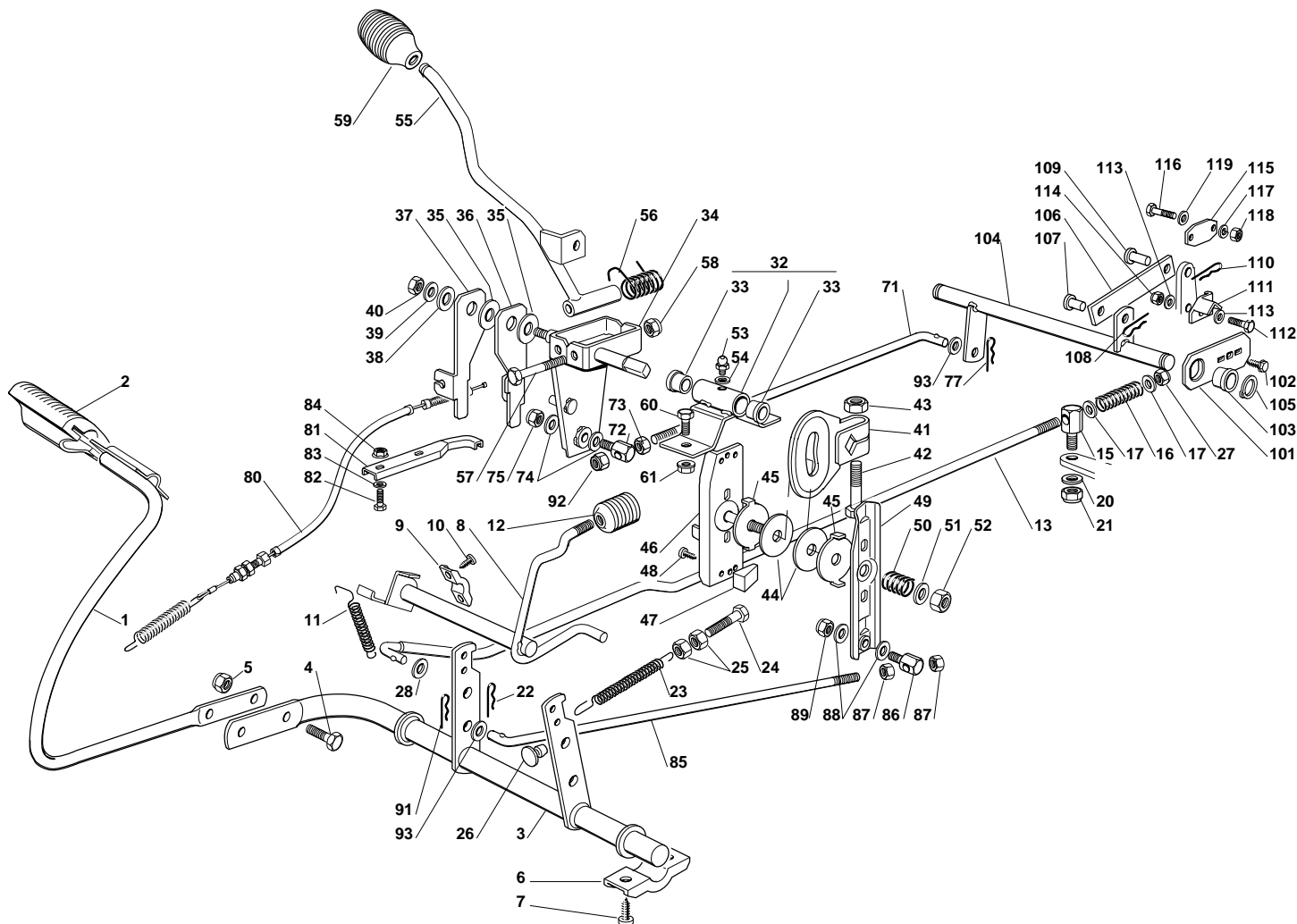




GARDEN COMBI HST - Model Year 2010

| Pos. Fig. | Antal Quantity | Art No Part No | Benämning | Description | Anmärkning Notes |
|-----------|----------------|----------------|-------------|--------------------|------------------|
| 1 | 1 | 84503001/0 | Pedal | Pedal | |
| 2 | 1 | 25110267/0 | Clamp Cover | Clamp Cover | |
| 3 | 1 | 84001015/1 | Axel | Axle | |
| 4 | 2 | 12793301/0 | Skruv | Screw | |
| 5 | 2 | 12155000/0 | Mutter | Nut | |
| 6 | 2 | 27546015/1 | Plåt | Plate | |
| 7 | 4 | 12731350/0 | Skruv | Screw | |
| 8 | 1 | 84001011/2 | Axel | Axle | |
| 9 | 2 | 25547049/0 | Bygel | Plate | |
| 10 | 4 | 12731601/0 | Skruv | Screw | |
| 11 | 1 | 27430552/0 | Fjäder | Spring | |
| 12 | 1 | 27395050/1 | Knopp | Knob | |
| 13 | 1 | 27034070/0 | Länk | Rod | |
| 15 | 1 | 25510067/1 | Sprint | Pin | |
| 16 | 1 | 25430236/0 | Fjäder | Spring | |
| 17 | 2 | 12521360/0 | Bricka | Washer | |
| 20 | 1 | 12523050/0 | Bricka | Washer | |
| 21 | 1 | 12155000/0 | Mutter | Nut | |
| 22 | 1 | 24487997/0 | Lísníl | Cotter Pin | |
| 23 | 1 | 25430210/0 | Fjäder | Spring | |
| 24 | 1 | 22943005/0 | Skruv | Screw | |
| 25 | 2 | 12293200/0 | Mutter | Nut | |
| 26 | 1 | 27275000/0 | Hylsa | Grommet | |
| 27 | 1 | 12156602/0 | Mutter | Nut | |
| 28 | 1 | 25670011/0 | Bricka | Washer | |
| 32 | 1 | 84773568/0 | Fästbygel | Bracket With Bussh | |
| 33 | 2 | 27045080/0 | Bussning | Bushing | |
| 34 | 1 | 84773561/0 | Arm | Lever | |
| 35 | 2 | 22672151/0 | Bricka | Washer | |
| 36 | 1 | 27772101/0 | Klämma | Clamp | |
| 37 | 1 | 27772103/0 | Klämma | Clamp | |
| 38 | 1 | 22672152/0 | Bricka | Washer | |
| 39 | 1 | 12523060/0 | Bricka | Washer | |
| 40 | 1 | 12155010/0 | Mutter | Nut | |
| 41 | 1 | 27734055/0 | Sector | Sector | |
| 42 | 1 | 12794900/0 | Skruv | Screw | |
| 43 | 1 | 12155020/0 | Mutter | Nut | |
| 44 | 2 | 27158000/0 | Platta | Plate | |
| 45 | 2 | 27670053/0 | Bricka | Washer | |
| 46 | 1 | 84773565/0 | Klämma | Clamp | |
| 47 | 2 | 27063020/0 | Fäste | Cam | |
| 48 | 2 | 12735110/0 | Skruv | Screw | |
| 49 | 1 | 84773563/0 | Arm | Lever | |
| 50 | 1 | 27430560/0 | Fjäder | Spring | |
| 51 | 1 | 25670008/1 | Bricka | Washer | |
| 52 | 1 | 12155020/0 | Mutter | Nut | |
| 53 | 1 | 12379511/0 | Smörjnippel | Grease Dispenser | |
| 54 | 1 | 12521330/0 | Bricka | Washer | |
| 55 | 1 | 84317051/2 | Arm | Gearshift | |
| 56 | 1 | 25430226/0 | Fjäder | Spring | |
| 57 | 1 | 12692050/0 | Skruv | Screw | |
| 58 | 1 | 12155000/0 | Mutter | Nut | |
| 59 | 1 | 82394508/0 | Knopp | Knob | |
| 60 | 2 | 12793102/0 | Skruv | Screw | |
| 61 | 2 | 12293201/0 | Mutter | Nut | |
| 71 | 1 | 27034071/0 | Länk | Rod | |
| 72 | 1 | 25510040/1 | Sprint | Pin | |
| 73 | 1 | 12293200/0 | Mutter | Nut | |
| 74 | 2 | 25670011/0 | Bricka | Washer | |

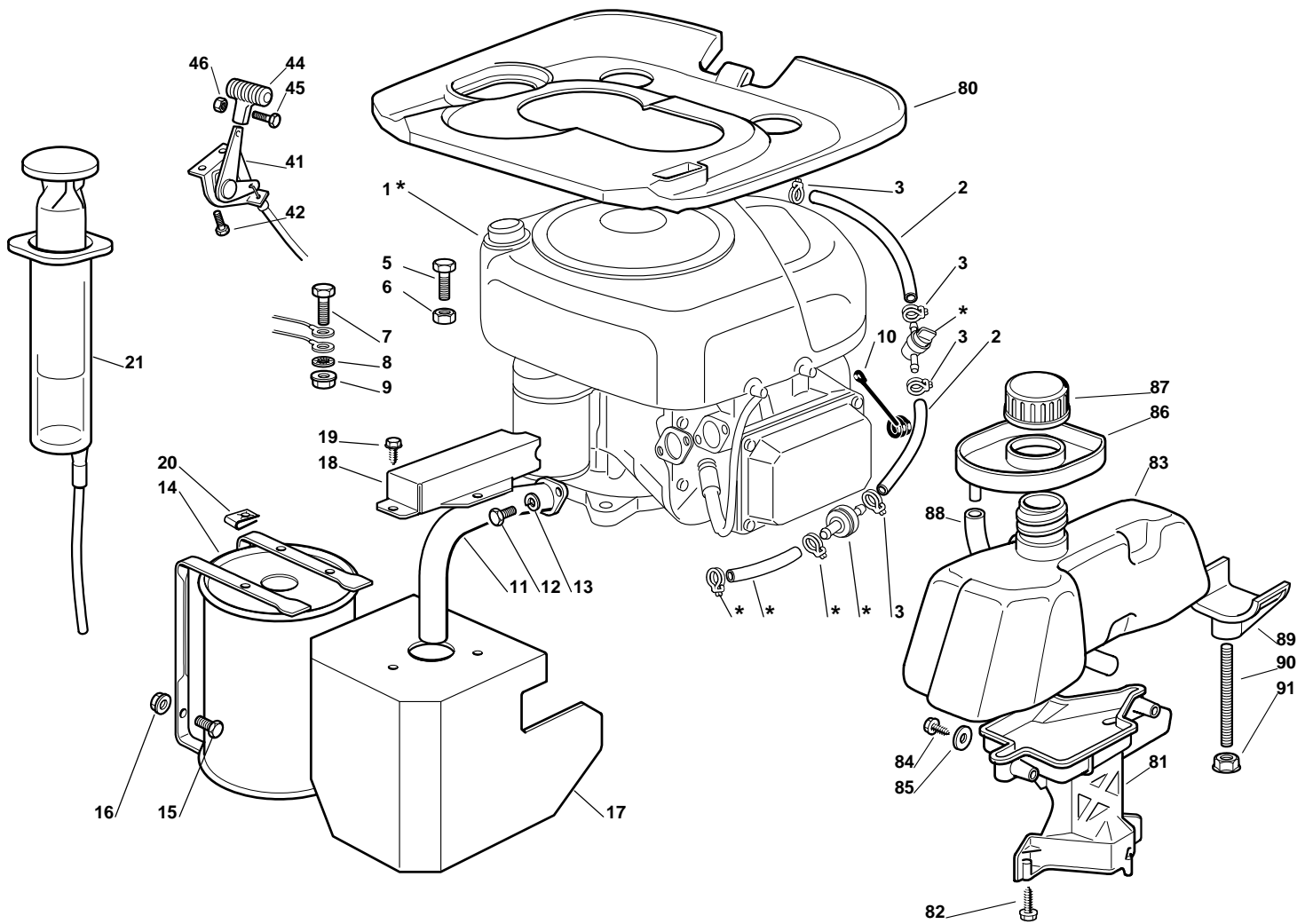
GARDEN COMBI HST - Model Year 2010





GARDEN COMBI HST - Model Year 2010

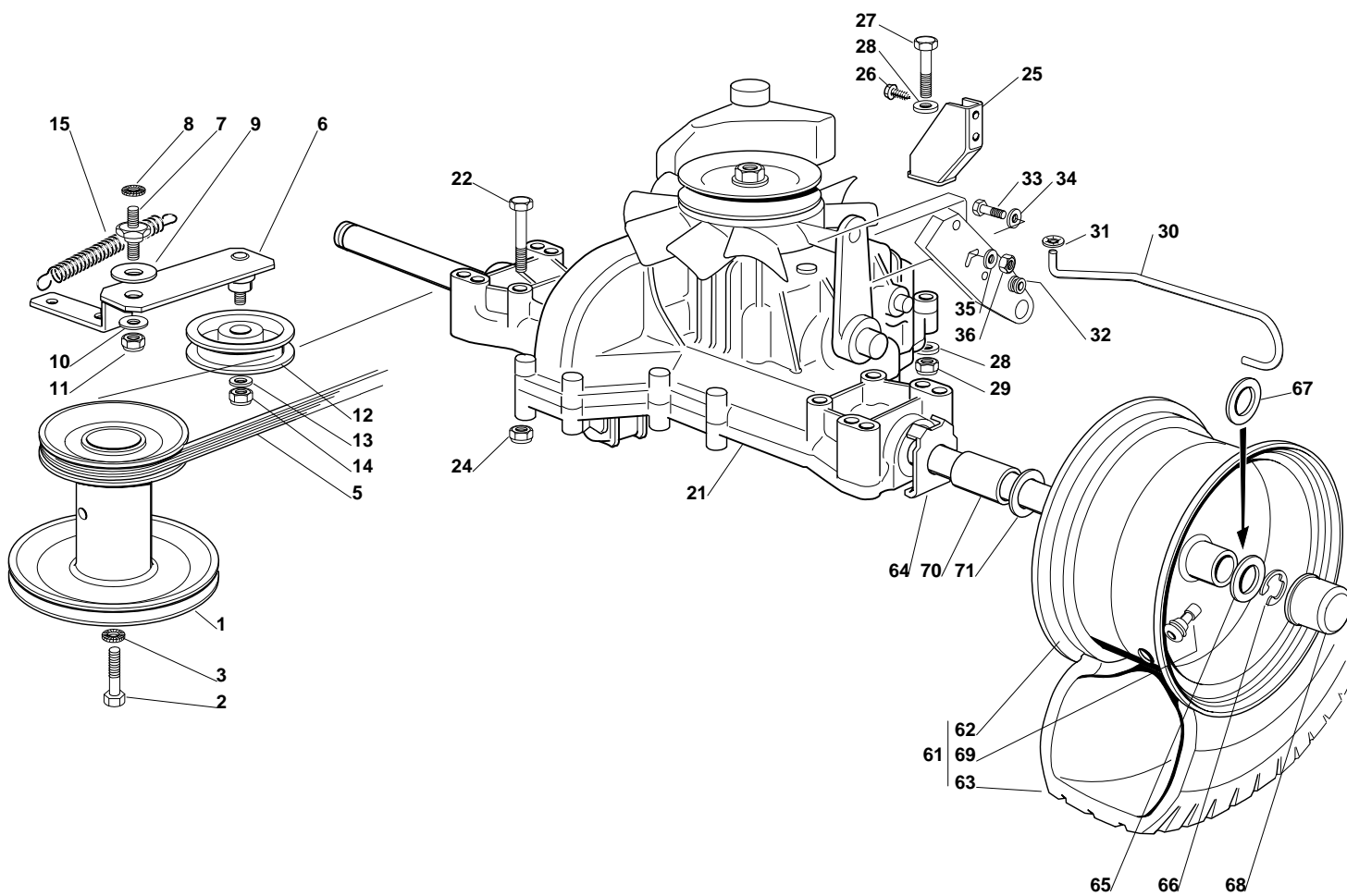
| Pos. Fig. | Antal Quantity | Art No Part No | Benämning | Description | Anmärkning Notes |
|-----------|----------------|----------------|------------|----------------|------------------|
| 75 | 1 | 12155010/0 | Mutter | Nut | |
| 77 | 1 | 24487997/0 | Låsnål | Cotter Pin | |
| 80 | 1 | 84207101/1 | Kabel | Wire | |
| 81 | 1 | 27772105/0 | Klämma | Clamp | |
| 82 | 2 | 12791400/0 | Skruv | Screw | |
| 83 | 2 | 12521330/0 | Bricka | Washer | |
| 84 | 2 | 12292102/0 | Mutter | Nut | |
| 85 | 1 | 27034074/0 | Länk | Rod | |
| 86 | 1 | 25510040/1 | Sprint | Pin | |
| 87 | 2 | 12293200/0 | Mutter | Nut | |
| 88 | 2 | 25670011/0 | Bricka | Washer | |
| 89 | 1 | 12155010/0 | Mutter | Nut | |
| 91 | 1 | 24487997/0 | Låsnål | Cotter Pin | |
| 92 | 1 | 12155000/0 | Mutter | Nut | |
| 93 | 2 | 25670011/0 | Bricka | Washer | |
| 101 | 2 | 27546047/0 | Plåt | Plate | |
| 102 | 2 | 12735121/0 | Skruv | Screw | |
| 103 | 2 | 25040614/0 | Bussning | Bushing | |
| 104 | 1 | 84001023/0 | Axel | Axle | |
| 105 | 2 | 12608900/0 | Seegerring | Seeger | |
| 106 | 1 | 27034073/0 | Länk | Rod | |
| 107 | 1 | 27510111/0 | Sprint | Pin | |
| 108 | 1 | 24487997/0 | Låsnål | Cotter Pin | |
| 109 | 1 | 27510110/0 | Sprint | Pin | |
| 110 | 1 | 24487997/0 | Låsnål | Cotter Pin | |
| 111 | 1 | 27063022/0 | Fäste | Cam | |
| 112 | 1 | 12791400/0 | Skruv | Screw | |
| 113 | 2 | 12521330/0 | Bricka | Washer | |
| 114 | 1 | 12154510/0 | Mutter | Nut | |
| 115 | 1 | 27546019/0 | Plåt | Plate (Hydro) | |
| 116 | 2 | 12735602/0 | Skruv | Screw (Hydro) | |
| 117 | 2 | 12581100/0 | Bricka | Washer (Hydro) | |
| 118 | 2 | 12290791/0 | Mutter | Nut | |
| 119 | 2 | 12540020/0 | Bricka | Washer | |





GARDEN COMBI HST - Model Year 2010

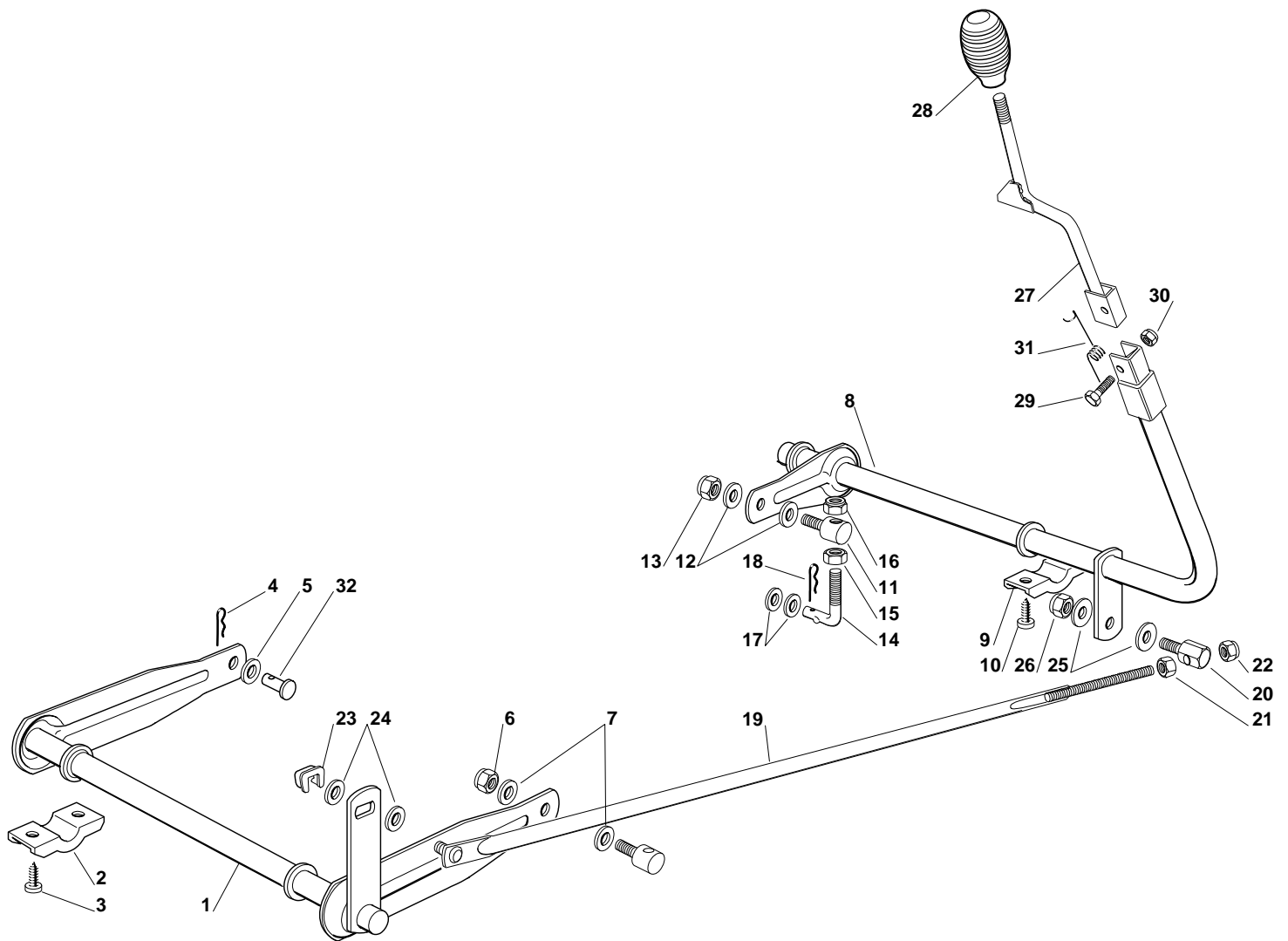
| Pos. Fig. | Antal Quantity | Art No Part No | Benämning | Description | Anmärkning Notes |
|-----------|----------------|----------------|------------------------|------------------------|------------------|
| 1 | 1 | - | Neutral Switch (Mech.) | Neutral Switch (Mech.) | |
| 2 | 2 | 25869035/1 | Kabelhållare | Fair Led | |
| 3 | 4 | 18375051/1 | Slangklämma | Fair Led | |
| 5 | 3 | 12691100/0 | Skruv | Screw | |
| 6 | 3 | 12154210/0 | Mutter | Nut | |
| 7 | 1 | 12691115/0 | Skruv | Screw | |
| 8 | 1 | 12540260/0 | Bricka | Grower | |
| 9 | 1 | 12154210/0 | Mutter | Nut | |
| 10 | 1 | 25430239/1 | Fjäder | Spring | |
| 11 | 1 | 18738225/0 | Rörförbindning | Exhaust Connection | |
| 12 | 2 | 12737450/0 | Skruv | Screw | |
| 13 | 2 | 12583500/0 | Låsbricka | Grower | |
| 14 | 1 | 82750006/1 | Ljuddämpare | Muffler | |
| 15 | 2 | 12793102/0 | Skruv | Screw | |
| 16 | 2 | 12154210/0 | Mutter | Nut | |
| 17 | 1 | 84598081/0 | Ljuddämparskydd | Muffler Protection | |
| 18 | 1 | 27600137/0 | Skydd | Protection | |
| 19 | 3 | 12729601/1 | Skruv | Screw | |
| 20 | 3 | 12437504/0 | Platta | Plate | |
| 21 | 1 | 18718000/0 | Oljepump | Syringe | |
| 41 | 1 | 84000250/1 | Gasreglage | Accelerator | |
| 42 | 2 | 125943012/0 | Skruv | Screw | |
| 44 | 1 | 25394501/0 | Handtag | Handle | |
| 45 | 1 | 12726388/0 | Skruv | Screw | |
| 46 | 1 | 12290800/0 | Mutter | Nut | |
| 80 | 1 | 27110306/2 | Kåpa | Engine Cover | |
| 81 | 1 | 27787062/0 | Stöd | Support | |
| 82 | 3 | 12735410/0 | Skruv | Screw | |
| 83 | 1 | 27733003/1 | Tank | Tank | |
| 84 | 2 | 12735410/0 | Skruv | Screw | |
| 85 | 2 | 12523040/0 | Bricka | Washer | |
| 86 | 1 | 27600061/2 | Skydd | Guard | |
| 87 | 1 | 25795000/1 | Lock | Cap | |
| 88 | 1 | 25869014/0 | Rör | Tube | |
| 89 | 1 | 27787063/0 | Stöd | Support | |
| 90 | 1 | 27510118/0 | Sprint | Pin | |
| 91 | 2 | 12293201/0 | Mutter | Nut | |
| - | 1 | * | Motor | Engine | |





GARDEN COMBI HST - Model Year 2010

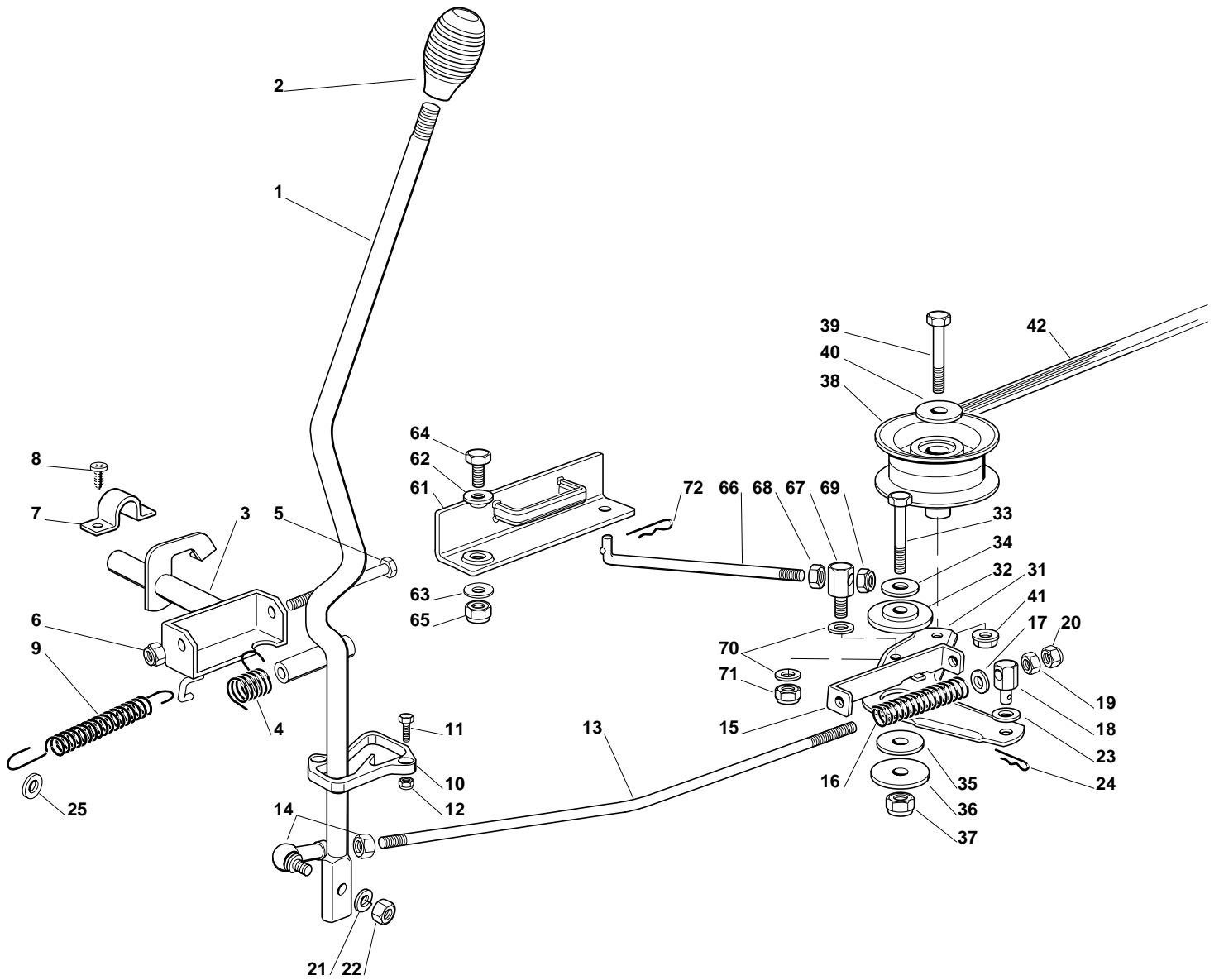
| Pos. Fig. | Antal Quantity | Art No Part No | Benämning | Description | Anmärkning Notes |
|-----------|----------------|----------------|---|---|------------------|
| 1 | 1 | 27604005/0 | Remskiva | Pulley | |
| 2 | 1 | 12737310/0 | Skruv | Screw | |
| 3 | 1 | 12543000/0 | Bricka | Washer | |
| 5 | 1 | 35061404/0 | Drivrem | Belt | |
| 6 | 1 | 84317081/0 | Arm | Lever | |
| 7 | 1 | 27510096/0 | Sprint | Pin | |
| 8 | 1 | 12540260/0 | Bricka | Grower | |
| 9 | 1 | 22672151/0 | Bricka | Washer | |
| 10 | 1 | 25670011/0 | Bricka | Washer | |
| 11 | 1 | 12155010/0 | Mutter | Nut | |
| 12 | 1 | 25601554/0 | Remskiva | Pulley | |
| 13 | 1 | 12523060/0 | Bricka | Washer | |
| 14 | 1 | 12155000/0 | Mutter | Nut | |
| 15 | 1 | 22446402/0 | Fjäder | Spring | |
| 21 | 1 | 18400965/0 | Rear Axle Tecumseh-Peerless Lth 2000 - 004C | Rear Axle Tecumseh-Peerless Lth 2000 - 004C | |
| 22 | 4 | 12691800/0 | Skruv | Screw | |
| 24 | 4 | 12154210/0 | Mutter | Nut | |
| 25 | 1 | 84783019/0 | Stöd | Bracket | |
| 26 | 1 | 12735121/0 | Skruv | Screw | |
| 27 | 1 | 12691200/0 | Skruv | Screw | |
| 28 | 1 | 12521350/0 | Bricka | Washer | |
| 29 | 1 | 12155000/0 | Mutter | Nut | |
| 30 | 1 | 27034069/0 | Bromssporre | Lever | |
| 31 | 1 | 12000930/0 | Låsring | Snap Ring | |
| 32 | 1 | 18564512/0 | Hylsa | Fair Lead | |
| 33 | 1 | 12793301/0 | Skruv | Screw | |
| 34 | 1 | 12523060/0 | Bricka | Washer | |
| 35 | 1 | 12521350/0 | Bricka | Washer | |
| 36 | 1 | 12155000/0 | Mutter | Nut | |
| 61 | 2 | 84680050/1 | Stödhjul | Rear Wheel Turf Saver Carlisle | |
| 61 | 2 | 84680053/1 | Stödhjul | Rear Wheel Deli Tire | |
| 62 | 2 | 84044001/0 | Rimm | Rimm | |
| 63 | 2 | 27590051/0 | Dack | Tire Turf Saver Carlisle | |
| 63 | 2 | 27590053/0 | Dack | Shoe Deli Tire | |
| 64 | 2 | 325670025/0 | Bricka | Washer | |
| 65 | 2 | 25670005/1 | Bricka | Washer | |
| 66 | 2 | 12001010/0 | Låsring | Snap Ring | |
| 67 | 4 | 25670006/0 | Bricka | Washer | |
| 68 | 2 | 22110230/0 | Lock | Cap | |
| 69 | 2 | 25950000/0 | Ventil | Valve | |
| 70 | 2 | 25160031/0 | Distans | Spacer | |
| 71 | 2 | 25670005/1 | Bricka | Washer | |
| 81 | 2 | 384680061/0 | Stödhjul | Rear Wheel | |
| 82 | 2 | 84044005/0 | Rimm | Rimm | |
| 83 | 2 | 127590063/0 | Shoe | Shoe | |
| 84 | 2 | 127590061/0 | Innerslang | Inner Tube | |





GARDEN COMBI HST - Model Year 2010

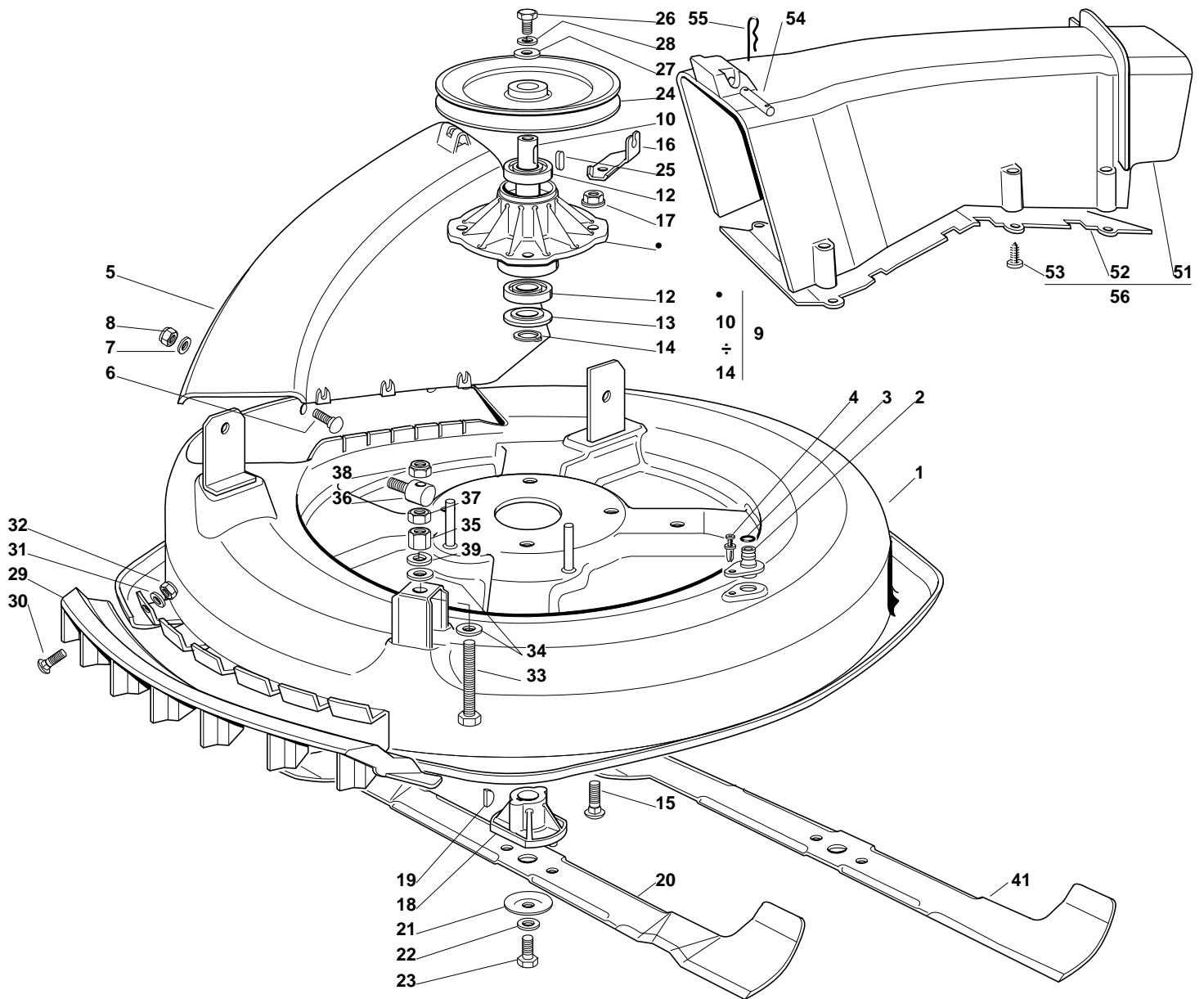
| Pos. Fig. | Antal Quantity | Art No Part No | Benämning | Description | Anmärkning Notes |
|-----------|----------------|----------------|-----------|-------------|------------------|
| 1 | 1 | 84001025/0 | Axel | Axle | |
| 2 | 2 | 27546015/1 | Plåt | Plate | |
| 3 | 4 | 12731350/0 | Skruv | Screw | |
| 4 | 1 | 24487997/0 | Låsnål | Cotter Pin | |
| 5 | 1 | 25670008/1 | Bricka | Washer | |
| 6 | 1 | 12156602/0 | Mutter | Nut | |
| 7 | 2 | 25670008/1 | Bricka | Washer | |
| 8 | 1 | 84001005/2 | Axel | Axle | |
| 9 | 2 | 27546015/1 | Plåt | Plate | |
| 10 | 4 | 12731350/0 | Skruv | Screw | |
| 11 | 1 | 25510007/1 | Sprint | Pin | |
| 12 | 2 | 25670008/1 | Bricka | Washer | |
| 13 | 1 | 12156602/0 | Mutter | Nut | |
| 14 | 1 | 25840003/2 | Stång | Tie Rod | |
| 15 | 1 | 12295200/0 | Mutter | Nut | |
| 16 | 1 | 12156602/0 | Mutter | Nut | |
| 17 | 2 | 22672150/0 | Bricka | Washer | |
| 18 | 1 | 24487997/0 | Låsnål | Cotter Pin | |
| 19 | 1 | 84002051/0 | Vevstake | Rod | |
| 20 | 1 | 25510040/1 | Sprint | Pin | |
| 21 | 1 | 12293200/0 | Mutter | Nut | |
| 22 | 1 | 12155000/0 | Mutter | Nut | |
| 23 | 1 | 12436050/0 | Låsplatta | Plate | |
| 24 | 2 | 25670011/0 | Bricka | Washer | |
| 25 | 2 | 25670011/0 | Bricka | Washer | |
| 26 | 1 | 12155000/0 | Mutter | Nut | |
| 27 | 1 | 84317065/1 | Lever | Lever | |
| 28 | 1 | 25394510/0 | Knopp | Knob | |
| 29 | 1 | 12674700/0 | Skruv | Screw | |
| 30 | 1 | 12154510/0 | Mutter | Nut | |
| 31 | 1 | 27430555/0 | Fjäder | Spring | |
| 32 | 1 | 27510114/0 | Sprint | Pin | |





GARDEN COMBI HST - Model Year 2010

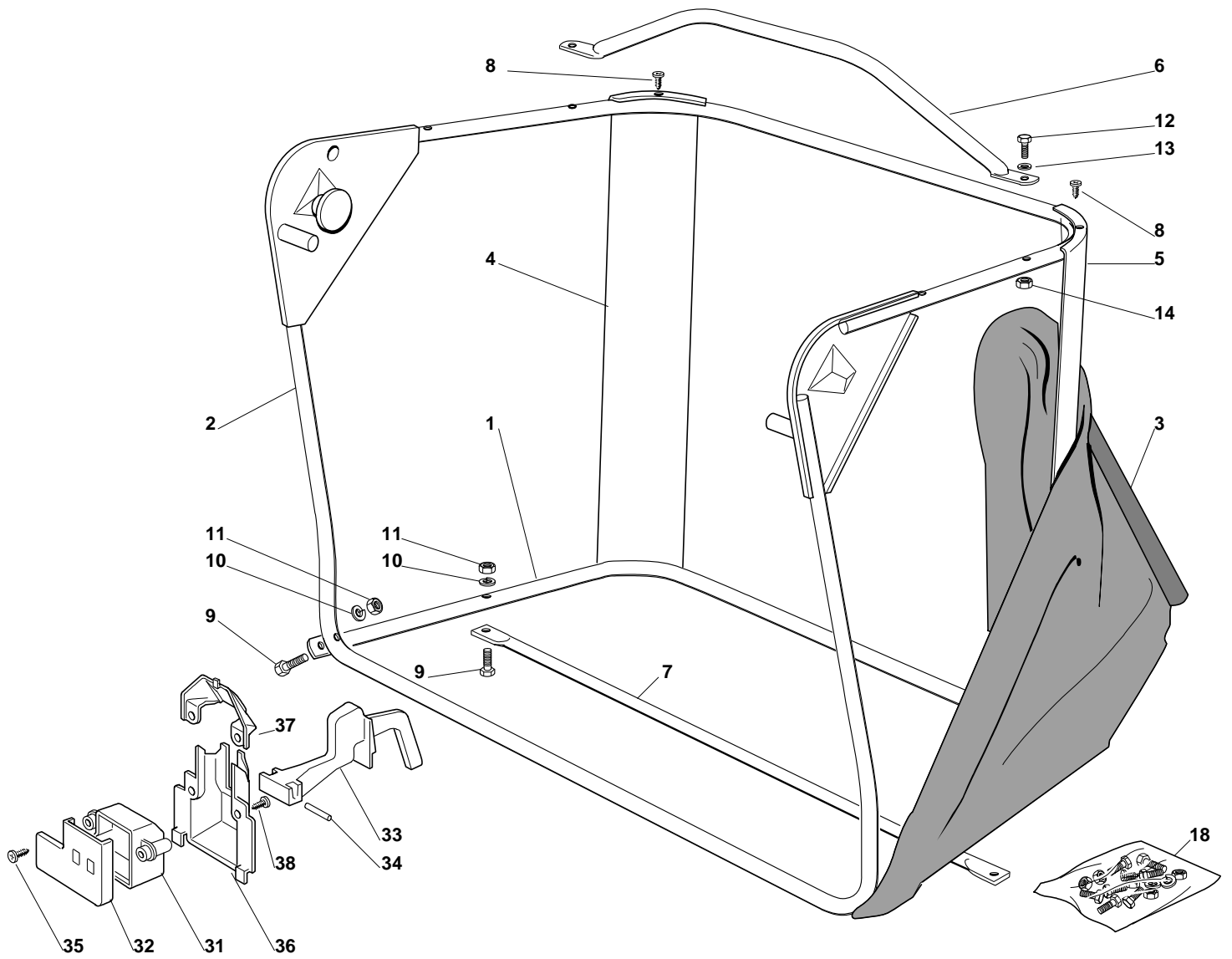
| Pos. Fig. | Antal Quantity | Art No Part No | Benämning | Description | Anmärkning Notes |
|-----------|----------------|----------------|-----------------|-------------|------------------|
| 1 | 1 | 84317069/0 | Arm | Lever | |
| 2 | 1 | 25394510/0 | Knopp | Knob | |
| 3 | 1 | 84001007/0 | Axel | Axle | |
| 4 | 1 | 25430226/0 | Fjäder | Spring | |
| 5 | 1 | 12692050/0 | Skruv | Screw | |
| 6 | 1 | 12155000/0 | Mutter | Nut | |
| 7 | 2 | 25547049/0 | Bygel | Plate | |
| 8 | 4 | 12731601/0 | Skruv | Screw | |
| 9 | 1 | 25430571/0 | Fjäder | Spring | |
| 10 | 1 | 27487000/0 | Glidblock | Shoe | |
| 11 | 2 | 112791200/1 | Skruv | Screw | |
| 12 | 2 | 12154510/0 | Mutter | Nut | |
| 13 | 1 | 27034078/0 | Länk | Rod | |
| 14 | 1 | 22746601/0 | Ledklåpa, vä+hö | Joint | |
| 15 | 1 | 27772143/0 | Klämma | Clamp | |
| 16 | 1 | 25430576/0 | Fjäder | Spring | |
| 17 | 1 | 12521350/0 | Bricka | Washer | |
| 18 | 1 | 27510113/0 | Sprint | Pin | |
| 19 | 1 | 12293200/0 | Mutter | Nut | |
| 20 | 1 | 12155000/0 | Mutter | Nut | |
| 21 | 1 | 12583500/0 | Låsbricka | Grower | |
| 22 | 1 | 12293200/0 | Mutter | Nut | |
| 23 | 1 | 25670008/1 | Bricka | Washer | |
| 24 | 1 | 24487997/0 | Låsnål | Cotter Pin | |
| 25 | 1 | 25670006/0 | Bricka | Washer | |
| 31 | 1 | 84317083/0 | Arm | Lever | |
| 32 | 1 | 27047000/0 | Bussning | Bush | |
| 33 | 1 | 12691200/0 | Skruv | Screw | |
| 34 | 1 | 12523060/0 | Bricka | Washer | |
| 35 | 1 | 22672152/0 | Bricka | Washer | |
| 36 | 1 | 12523070/0 | Bricka | Washer | |
| 37 | 1 | 12155000/0 | Mutter | Nut | |
| 38 | 1 | 27604008/0 | Remskiva | Pulley | |
| 39 | 1 | 12691600/0 | Skruv | Screw | |
| 40 | 1 | 12523060/0 | Bricka | Washer | |
| 41 | 1 | 12293201/0 | Mutter | Nut | |
| 42 | 1 | 35061423/0 | Drivrem | Belt | |
| 61 | 1 | 84220501/0 | Bromsarm | Brake | |
| 62 | 1 | 22041980/0 | Distans | Spacer | |
| 63 | 1 | 22672152/0 | Bricka | Washer | |
| 64 | 1 | 12793102/0 | Skruv | Screw | |
| 65 | 1 | 12155010/0 | Mutter | Nut | |
| 66 | 1 | 27034077/0 | Länk | Rod | |
| 67 | 1 | 25510040/1 | Sprint | Pin | |
| 68 | 1 | 12293200/0 | Mutter | Nut | |
| 69 | 1 | 12155000/0 | Mutter | Nut | |
| 70 | 2 | 25670011/0 | Bricka | Washer | |
| 71 | 1 | 12155000/0 | Mutter | Nut | |
| 72 | 1 | 24487997/0 | Låsnål | Cotter Pin | |





GARDEN COMBI HST - Model Year 2010

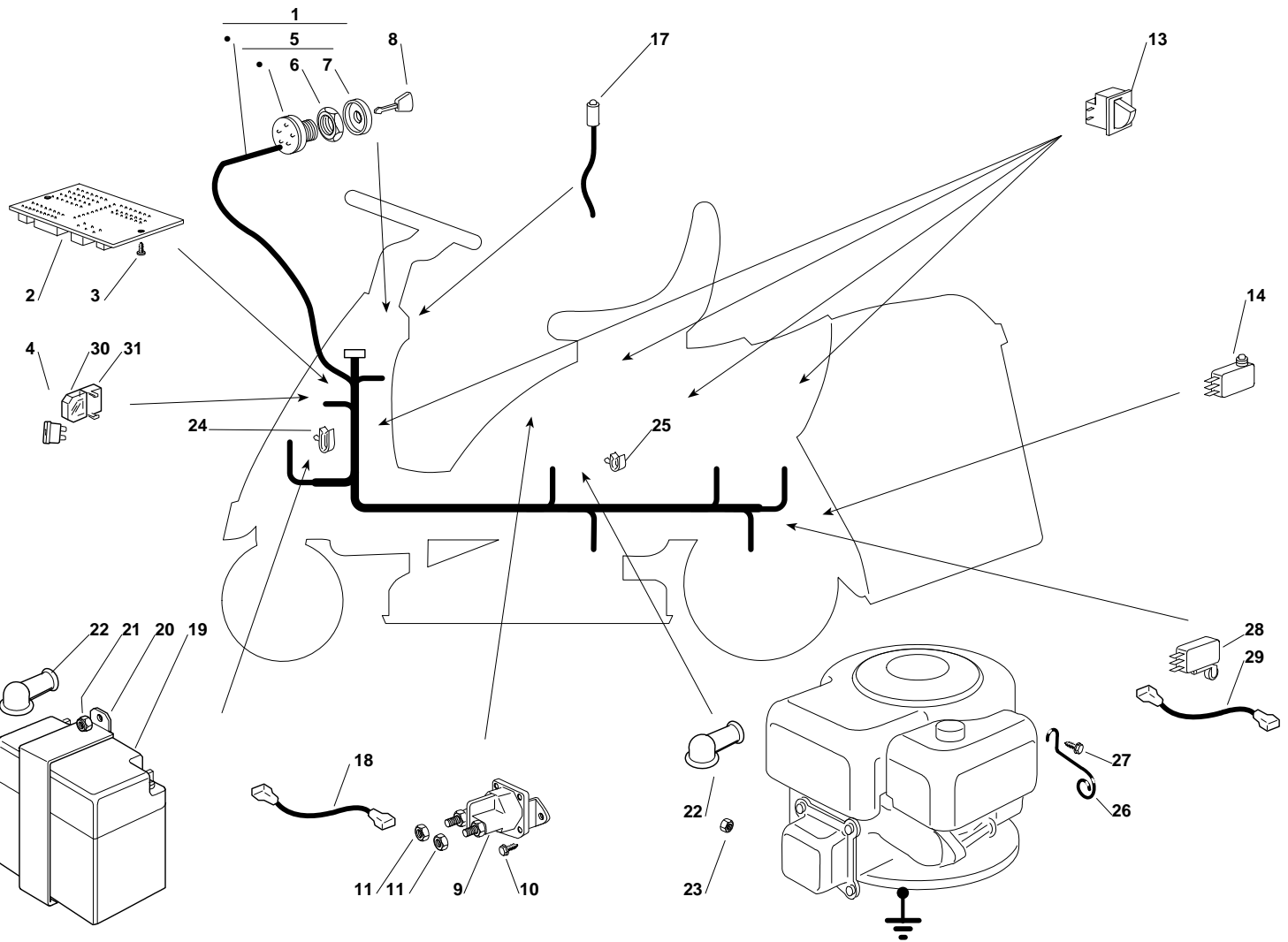
| Pos. Fig. | Antal Quantity | Art No Part No | Benämning | Description | Anmärkning Notes |
|-----------|----------------|----------------|-----------------------|-----------------------------|------------------|
| 1 | 1 | 384564075/1 | Plate, Black | Plate, Black | |
| 2 | 1 | 25033060/0 | Water Hose Connection | Water Hose Connection | |
| 3 | 1 | 19035000/0 | O-ring | Or Ring | |
| 4 | 1 | 12500030/0 | Rivet | Rivet | |
| 5 | 1 | 27045000/1 | Inmatningshus | Conveyor Inlet | |
| 6 | 6 | 12815210/0 | Skruv | Screw | |
| 7 | 6 | 12523040/0 | Bricka | Washer | |
| 8 | 6 | 12154510/0 | Mutter | Nut | |
| 9 | 1 | 84207250/0 | Fläns | Flange Ass.Y (10÷14) | |
| 10 | 1 | 27023000/0 | Axel | Shaft | |
| 12 | 2 | 19216032/0 | Kullager | Bearing | |
| 13 | 1 | 25160501/0 | Dammskydd | Dust Cover | |
| 14 | 1 | 12609260/0 | Seegerring | Seeger | |
| 15 | 4 | 12818700/0 | Skruv | Screw | |
| 16 | 1 | 27787067/0 | Lagerskydd | Support (Ggp) | |
| 17 | 4 | 12154210/0 | Mutter | Nut | |
| 18 | 1 | 25463200/0 | Knivfäste | Blade Hub | |
| 19 | 1 | 12139100/0 | Kil | Key | |
| 20 | 1 | 84109503/0 | Kniv | Blade Mulching, Winged | |
| 21 | 1 | 22160400/0 | Bricka | Elastic Washer | |
| 22 | 1 | 12523080/0 | Bricka | Washer | |
| 23 | 1 | 12735694/0 | Skruv | Screw | |
| 24 | 1 | 27604009/0 | Remskiva | Pulley | |
| 25 | 1 | 12139480/0 | Kil | Key | |
| 26 | 1 | 12793102/0 | Skruv | Screw | |
| 27 | 1 | 25670007/0 | Bricka | Washer | |
| 28 | 1 | 12583500/0 | Låsbricka | Grower | |
| 29 | 1 | 27488000/0 | Air Intake Grill | Air Intake Grill | |
| 30 | 4 | 12815200/0 | Skruv | Screw | |
| 31 | 4 | 12521340/0 | Bricka | Washer | |
| 32 | 4 | 12154510/0 | Mutter | Nut | |
| 33 | 1 | 12794970/0 | Skruv | Screw | |
| 34 | 2 | 12523080/0 | Bricka | Washer | |
| 35 | 1 | 12154250/0 | Mutter | Nut | |
| 36 | 1 | 25510007/1 | Sprint | Pin | |
| 37 | 1 | 12295200/0 | Mutter | Nut | |
| 38 | 1 | 12156602/0 | Mutter | Nut | |
| 39 | 1 | 12585100/0 | Grower | Grower | |
| 41 | 1 | 84109502/0 | Kniv | Blade, Winged | |
| 51 | 1 | 27107501/0 | Inmatningstratt | Conveyor | |
| 52 | 1 | 27140051/1 | Deflektor | Deflector | |
| 53 | 8 | 12735402/0 | Skruv | Screw | |
| 54 | 1 | 27510097/1 | Sprint | Pin | |
| 55 | 2 | 24487997/0 | Låsnål | Cotter Pin | |
| 56 | 1 | 84108051/0 | Inmatningstratt | Conveyor Ass.Y (51, 52, 53) | |





GARDEN COMBI HST - Model Year 2010

| Pos. Fig. | Antal Quantity | Art No Part No | Benämning | Description | Anmärkning Notes |
|-----------|----------------|----------------|-----------------------|-----------------------|------------------|
| 1 | 1 | 84801103/0 | Chassi | Lower Frame | |
| 2 | 1 | 84801105/1 | Chassi | Upper Frame | |
| 3 | 1 | 184106069/0 | Uppsamlare | Grasscatcher | |
| 4 | 1 | 27010205/0 | Right Angular Support | Right Angular Support | |
| 5 | 1 | 27010207/0 | Left Angular Support | Left Angular Support | |
| 6 | 1 | 84869051/0 | Rör | Rod | |
| 7 | 1 | 84650100/0 | Reduktion | Stiffening | |
| 8 | 4 | 12729601/1 | Skruv | Screw | |
| 9 | 4 | 12792099/0 | Skruv | Screw | |
| 10 | 4 | 12582101/0 | Grower | Grower | |
| 11 | 4 | 12292100/0 | Mutter | Nut | |
| 12 | 2 | 12674701/0 | Skruv | Screw | |
| 13 | 2 | 12521331/0 | Bricka | Washer | |
| 14 | 2 | 12154510/0 | Mutter | Nut | |
| 18 | 1 | 84180180/0 | Skruvsats | Screws Outfit (8÷14) | |
| 31 | 1 | 25600041/0 | Skydd | Micro Protection | |
| 32 | 1 | 25600042/0 | Överbelastningsskydd | Protection Cover | |
| 33 | 1 | 25318124/0 | Arm | Lever | |
| 34 | 1 | 12400030/0 | Stift | Pin | |
| 35 | 1 | 12728510/0 | Skruv | Screw | |
| 36 | 1 | 25600047/0 | Skydd | Micro Protection | |
| 37 | 1 | 25600048/0 | Överbelastningsskydd | Protection Cover | |
| 38 | 2 | 12728450/0 | Skruv | Screw | |

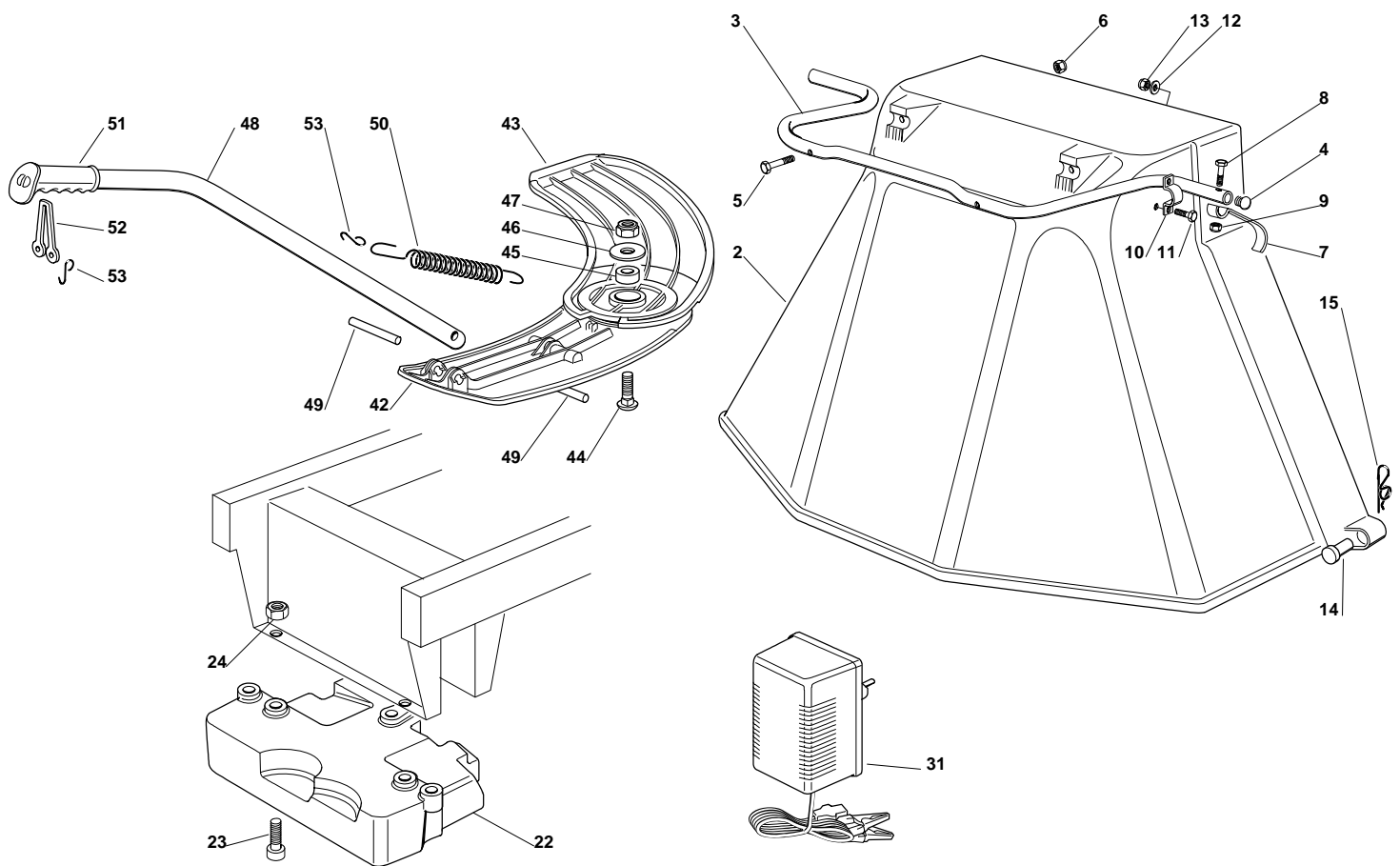




GARDEN COMBI HST - Model Year 2010

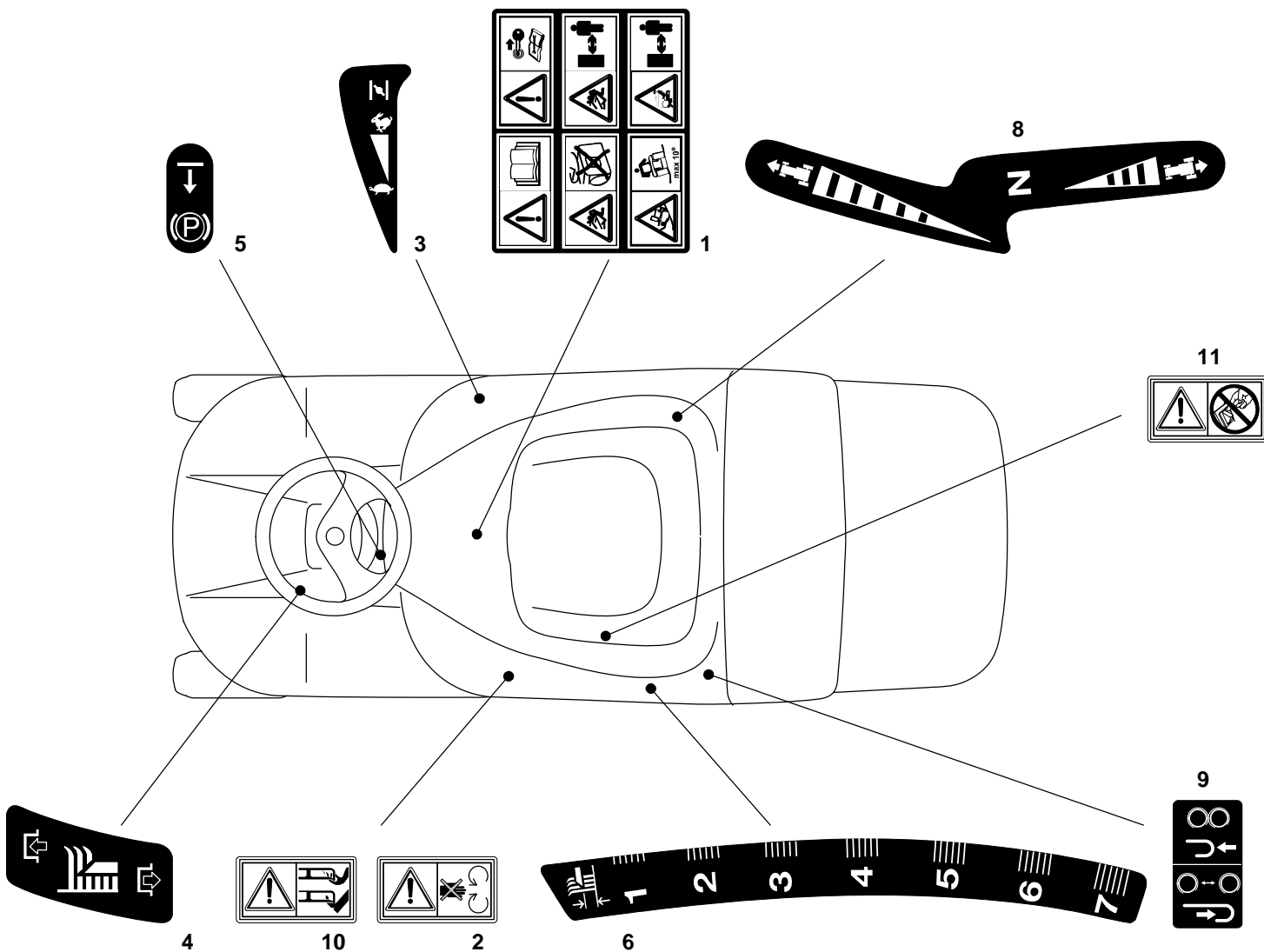
| Pos. Fig. | Antal Quantity | Art No Part No | Benämning | Description | Anmärkning Notes |
|-----------|----------------|----------------|------------------------|-------------------------|------------------|
| 1 | 1 | 184040126/2 | Kabel | Cables | |
| 2 | 1 | 25722415/1 | Electronic Card | Electronic Card | |
| 3 | 2 | 12727810/0 | Skruv | Screw | |
| 4 | 1 | 33340036/0 | Säkring | Fuse 25 A | |
| 4 | 1 | 33340040/0 | Säkring | Fuse 10 A | |
| 5 | 1 | 18450065/1 | Brytare | Starting Switch | |
| 6 | 1 | 18400861/0 | Ringmutter | Ringnut | |
| 7 | 1 | 18565351/0 | Hus | Ringnut Protection | |
| 8 | 1 | 18210016/1 | Starting Key | Starting Key | |
| 9 | 1 | 18736110/0 | Starter Relay | Starter Relay | |
| 10 | 2 | 12735110/0 | Skruv | Screw | |
| 11 | 2 | 12360352/0 | Mutter | Nut | |
| 13 | 4 | 119410615/0 | Micro | Microswitch | |
| 14 | 1 | 19410605/1 | Brytare | Full Grasscat. Microsw. | |
| 17 | 1 | 25065014/1 | Kabel | Cable | |
| 18 | 1 | 27065050/0 | Kabel | Cable | |
| 19 | 1 | 18120002/1 | Batteri | Battery | |
| 20 | 1 | 27772099/1 | Klämma | Clamp | |
| 21 | 1 | 12155000/0 | Mutter | Nut | |
| 22 | 2 | 18564861/1 | Tätningshylsa | Protection | |
| 23 | 1 | 12361005/0 | Mutter | Nut | |
| 24 | 3 | 33320506/0 | Kabelhållare | Fairled | |
| 25 | 1 | 33320504/0 | Kabelhållare | Fairled | |
| 26 | 1 | 27430561/0 | Fjäder | Spring | |
| 27 | 1 | 12735121/0 | Skruv | Screw | |
| 28 | 1 | 19410609/0 | Neutral Switch (Hydro) | Neutral Switch (Hydro) | |
| 29 | 1 | 25065025/0 | Kabel | Cable (Hydro) | |
| 30 | 2 | 33215000/0 | Kåpa | Cover | |
| 31 | 2 | 33500007/0 | Säkring | Fuse Carrier | |

GARDEN COMBI HST - Model Year 2010



**GARDEN COMBI HST - Model Year 2010**

| Pos. Fig. | Antal Quantity | Art No Part No | Benämning | Description | Anmärkning Notes |
|-----------|----------------|----------------|---------------------------|------------------------|------------------|
| 2 | 1 | 84598062/0 | Ejection Guard | Ejection Guard | |
| 3 | 1 | 27869053/0 | Support | Support | |
| 4 | 2 | 18566113/0 | Plugg | Cap | |
| 5 | 2 | 12674701/0 | Skruv | Screw | |
| 6 | 2 | 12154510/0 | Mutter | Nut | |
| 7 | 1 | 25547053/0 | Plåt | Plate | |
| 8 | 1 | 12791500/0 | Skruv | Screw | |
| 9 | 1 | 12154510/0 | Mutter | Nut | |
| 10 | 2 | 25547049/0 | Bygel | Plate | |
| 11 | 4 | 12788910/0 | Skruv | Screw | |
| 12 | 4 | 12523020/0 | Bricka | Washer | |
| 13 | 4 | 12154320/0 | Mutter | Nut | |
| 14 | 2 | 25510022/0 | Sprint | Pin | |
| 15 | 2 | 24487998/0 | Låsnål | Cotter Pin | |
| 22 | 1 | 25519997/1 | Weight | Weight | |
| 23 | 3 | 12760520/0 | Skruv | Screw | |
| 24 | 3 | 12155000/0 | Mutter | Nut | |
| 31 | 1 | 182180090/0 | Batteriladdare | Battery Charger | |
| 31 | 1 | 182180091/0 | Batteriladdare (for U.K.) | Battery Charger (U.K.) | |
| 42 | 1 | 27140055/0 | Deflektor | Deflector, Rear | |
| 43 | 1 | 27140054/0 | Deflektor | Deflector, Front | |
| 44 | 1 | 12818700/0 | Skruv | Screw | |
| 45 | 1 | 27047013/0 | Bussning | Bushing | |
| 46 | 1 | 22672152/0 | Bricka | Washer | |
| 47 | 1 | 12155000/0 | Mutter | Nut | |
| 48 | 1 | 27394003/2 | Styre | Handle | |
| 49 | 2 | 27510116/0 | Sprint | Pin | |
| 50 | 1 | 25430229/1 | Fjäder | Spring | |
| 51 | 1 | 25280000/1 | Handtag | Handgrip | |
| 52 | 1 | 25840011/1 | Stång | Elastic Tie-Rod | |
| 53 | 3 | 25253004/0 | Hake | Hook | |





GARDEN COMBI HST - Model Year 2010

| Pos. Fig. | Antal Quantity | Art No Part No | Benämning | Description | Anmärkning Notes |
|-----------|----------------|----------------|-----------|-------------|------------------|
| 1 | 1 | 114357428/1 | Dekal | Label | |
| 2 | 1 | 114357519/2 | Dekal | Label | |
| 3 | 1 | 114357425/1 | Dekal | Label | |
| 4 | 1 | 14357431/0 | Dekal | Label | |
| 5 | 1 | 114357526/1 | Dekal | Label | |
| 6 | 1 | 14357427/0 | Dekal | Label | |
| 8 | 1 | 14357702/0 | Dekal | Label | |
| 9 | 1 | 14358513/0 | Dekal | Label | |
| 10 | 2 | 114356699/1 | Dekal | Label | |
| 11 | 1 | 14360118/0 | Dekal | Label | |