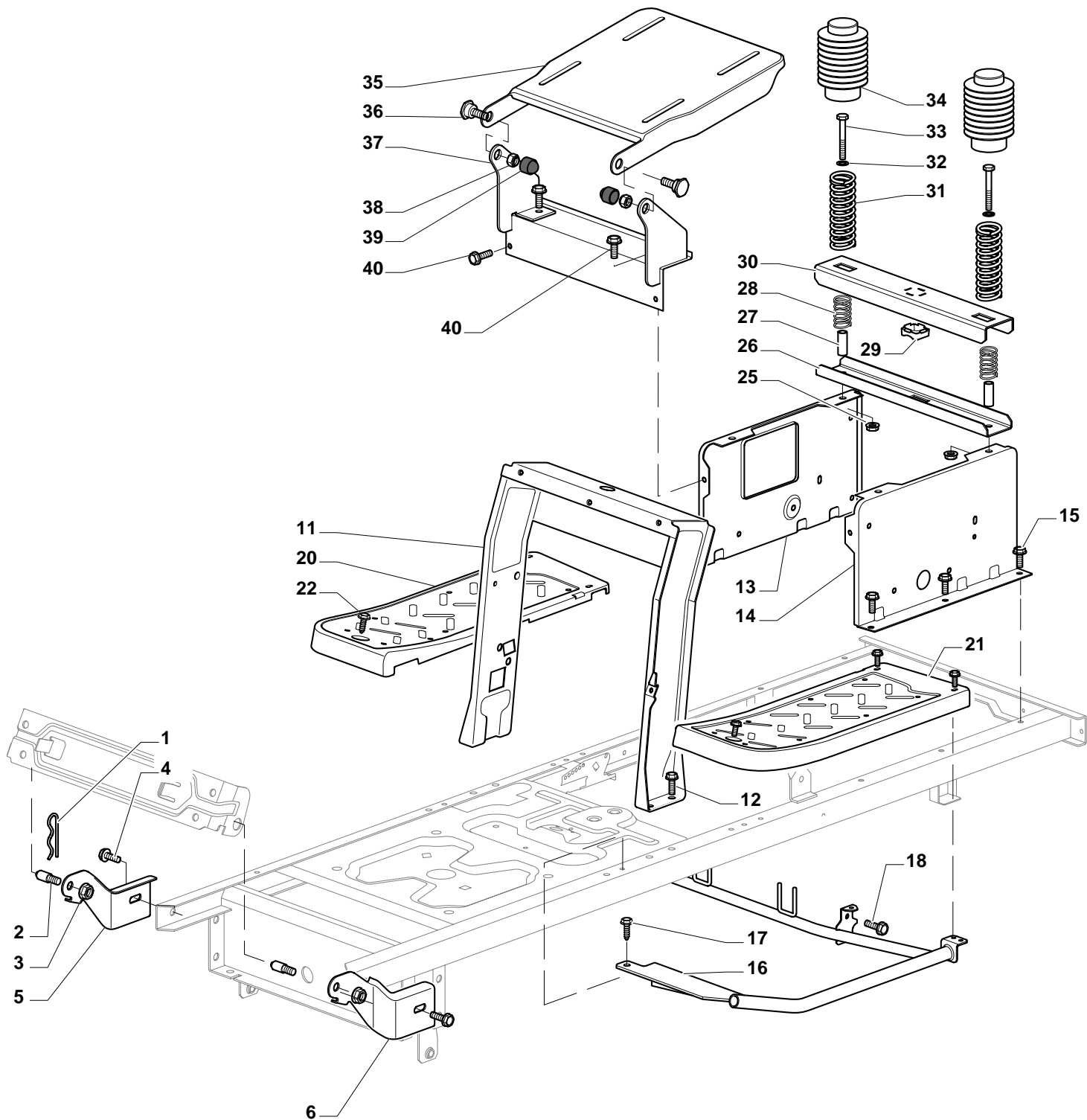


Genuine Spare Parts



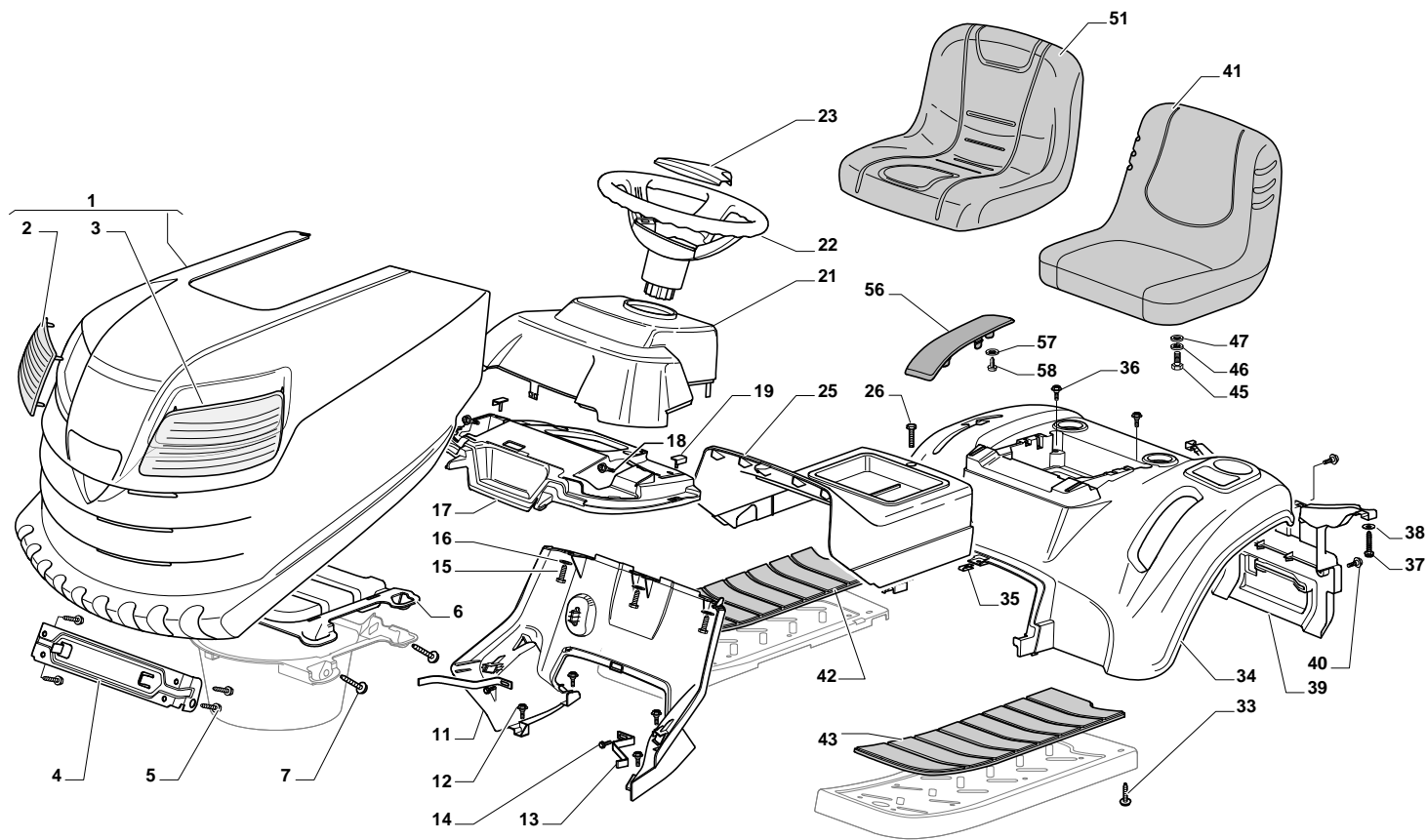
Estate Tornado HST 17





ESTATE TORNADO HST - Model Year 2010

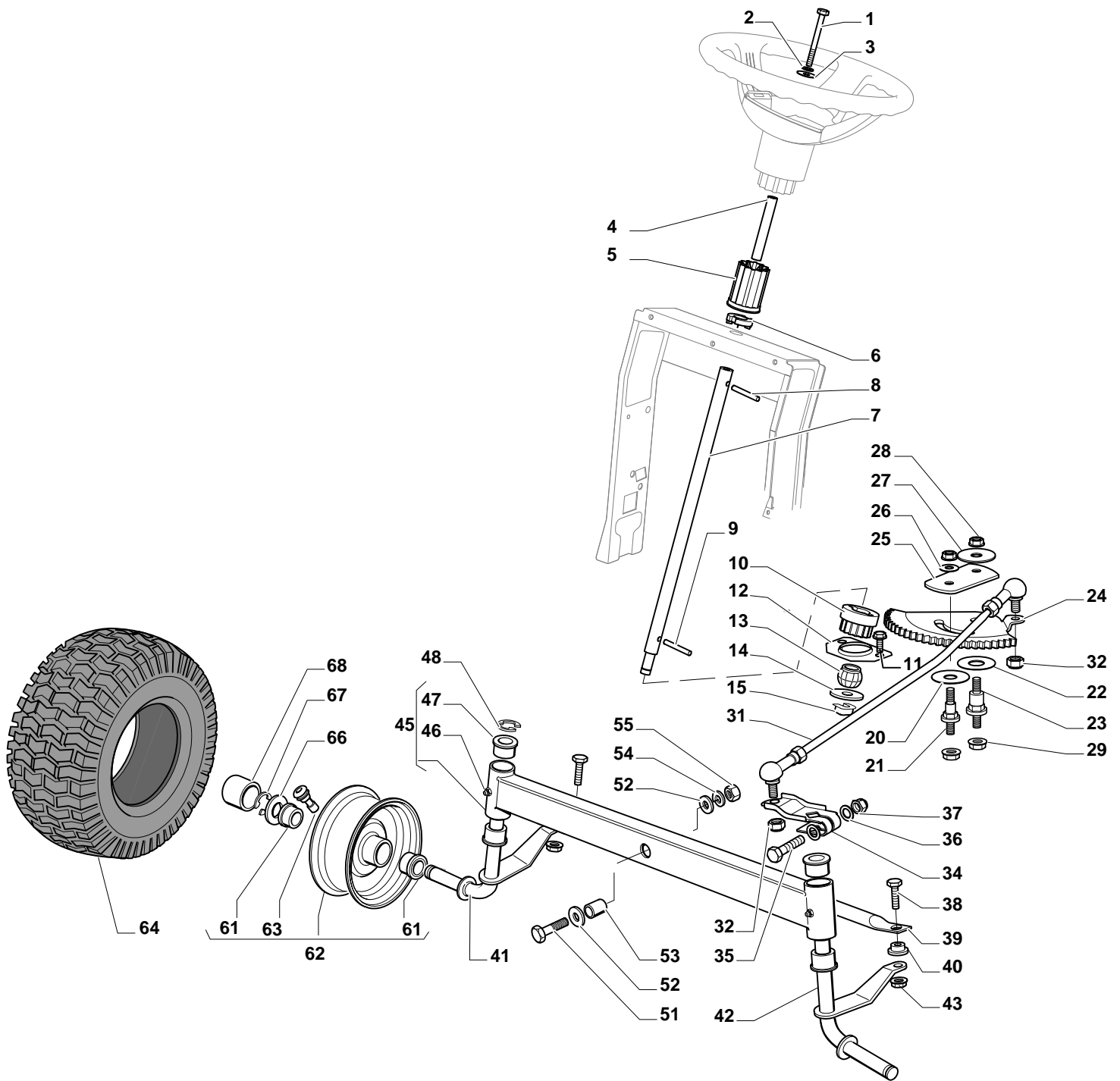
Pos. Fig.	Antal Quantity	Art No Part No	Benämning	Description	Anmärkning Notes
1	1	24487998/0	Låsnål	Cotter Pin	
2	2	25510079/0	Sprint	Pin	
3	2	12154210/0	Mutter	Nut	
4	2	12735599/0	Skruv	Screw	
5	1	325547225/0	Plåt	Right Plate	
6	1	325547227/0	Platta	Left Plate	
11	1	382785169/1		Steering Column Support	
12	4	125943009/0	Skruv	Screw	
13	1	325785331/0	Right Seat Support	Right Seat Support	
14	1	325785333/0	Left Seat Support	Left Seat Support	
15	6	125943009/0	Skruv	Screw	
16	1	382785179/0	Footboard Support	Footboard Support	
17	2	125943009/0	Skruv	Screw	
18	2	125943009/0	Skruv	Screw	
20	1	325500041/1		Right Footboard	
21	1	325500043/1		Left Footboard	
22	2	12735599/0	Skruv	Screw	
25	2	12293201/0	Mutter	Nut	
26	1	325820109/0	Seat Support	Seat Support	
27	2	125160048/0	Distans	Spacer	
28	2	125430263/0	Fjäder	Spring	
29	1	325060038/0	Fäste	Cam	
30	1	325820105/0	Stöd	Support	
31	2	125430264/0	Fjäder	Spring	
32	2	12521350/0	Bricka	Washer	
33	2	12691400/0	Skruv	Right Screw	
34	2	325122002/0	Styrning	Hood	
35	1	382547061/0	Mothill	Plate	
36	2	22524970/2	Sprint	Pin	
37	1	382820151/0	Seat Support	Seat Support	
38	2	12155010/0	Mutter	Nut	
39	2	118203854/0	Tätningshylsa	Protection	





ESTATE TORNADO HST - Model Year 2010

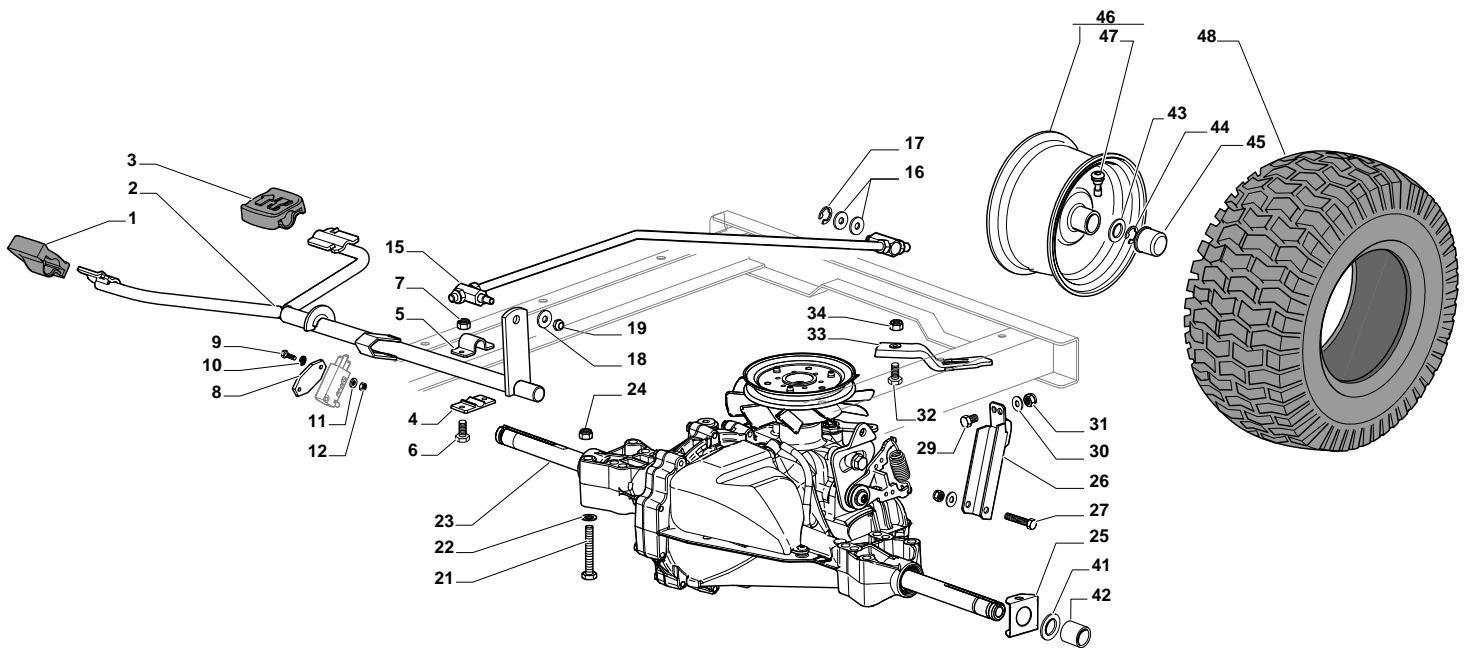
Pos. Fig.	Antal Quantity	Art No Part No	Benämning	Description	Anmärkning Notes
1	1	382076955/0	Motorhuv-Gul	Engine Hood Yellow	
2	1	325410887/0	Frontkípa	Right Grill	
3	1	325410888/0	Frontkípa	Left Grill	
4	1	325785317/0	Motorhuv	Engine Hood Support	
5	4	12735403/0	Skruv	Screw	
6	1	325263302/0	Air Intake Grill	Air Intake Grill	
7	4	112728692/0	Skruv	Screw	
11	1	325785298/0	Panel	Dashboard Support	
12	4	125943010/0	Skruv	Screw	
13	2	325270325/0	Guide	Guide	
14	2	12735599/0	Skruv	Screw	
15	3	112735406/0	Skruv	Screw	
16	3	12523040/0	Bricka	Washer	
17	1	325120202/1		Dashboard	
18	2	125943010/0	Skruv	Screw	
19	2	325260003/0	Hylsa	Grommet	
21	1	325120203/0	Kípa	Cover	
22	1	325961219/0	Steering Wheel	Steering Wheel	
23	1	325580504/0	Steering Plate	Steering Plate	
25	1	325110396/1		Cover, Yellow	
26	1	125943010/0	Skruv	Screw	
33	4	112735406/0	Skruv	Screw	
34	1	325110399/0	Kípa	Wheels Cover, Yellow	
35	1	112437506/0	Plåt	Plate	
36	2	125943010/0	Skruv	Screw	
37	2	112735406/0	Skruv	Screw	
38	2	12523040/0	Bricka	Washer	
39	1	325547208/1		Plate	
40	4	125943009/0	Skruv	Screw	
40	2	125943010/0	Skruv	Screw	
41	1	25722463/0	Seat	Seat	
42	1	325110384/0	Right Footboardcover	Right Footboardcover	
43	1	325110385/0	Left Footboard Cover	Left Footboard Cover	
45	4	12792611/0	Skruv	Screw	
46	4	12540260/0	Bricka	Grower	
47	4	12523060/0	Bricka	Washer	
56	1	325207190/0		Cover (hydro)	
57	2	12735402/0	Skruv	Screw	
58	4	12523050/0	Bricka	Washer	





ESTATE TORNADO HST - Model Year 2010

Pos. Fig.	Antal Quantity	Art No Part No	Benämning	Description	Anmärkning Notes
1	1	12692050/0	Skruv	Screw	
2	1	12540260/0	Bricka	Grower	
3	1	12523070/0	Bricka	Washer	
4	1	125160047/0	Distans	Spacer	
5	1	325785318/0	Stöd	Support	
6	1	325038008/0	Bussning	Bush	
7	1	125520007/0	Steering Column	Steering Column	
8	1	112620300/0	Stift	Pin	
9	1	12622650/0	Stift	Pin	
10	1	125570003/0	Drev	Pinion	
11	2	27943051/0	Skruv	Screw	
12	1	25785213/0	Stöd	Support	
13	1	25743000/0	Ledklpa, vä+hö	Joint	
14	1	12521370/0	Bricka	Washer	
15	1	12436030/0	Platta	Plate	
20	1	22672151/0	Bricka	Washer	
21	1	125510104/0	Sprint	Pin	
22	1	125670023/0	Bricka	Washer	
23	1	125510109/0	Sprint	Pin	
24	1	325735519/0	Sector	Steering Shaft	
25	1	325547233/0	Mothäll	Plate	
26	1	12369500/0	Bricka	Washer	
27	1	22160400/0	Bricka	Elastic Washer	
28	2	12155010/0	Mutter	Nut	
29	2	12293201/0	Mutter	Nut	
31	1	382000566/0	Stång	Steering Rod	
32	2	12156602/0	Mutter	Nut	
34	1	325318243/0	Arm	Lever	
35	1	12692390/0	Skruv	Screw	
36	2	12521360/0	Bricka	Washer	
37	1	12156602/0	Mutter	Nut	
38	2	125510103/0	Sprint	Pin	
39	1	325840029/0	Gasreglagelänk	Tie Rod	
40	2	325038007/0	Bussning	Bush	
41	1	382230373/0	"Right Stub Axle 15""	"Right Stub Axle 15""	
42	1	382230375/0	"Left Stub Axle 15""	"Left Stub Axle 15""	
43	2	12155000/0	Mutter	Nut	
45	1	382034030/0	Equalizer With Bush And Lubricator	Equalizer With Bush And Lubricator	
46	2	12379511/0	Smörjnippel	Grease Dispenser	
47	4	25034002/1	Bussning	Brass	
48	1	12001010/0	Låsring	Snap Ring	
51	1	12692695/0	Skruv	Screw	
52	2	12523100/0	Bricka	Washer	
53	1	25160016/0	Distans	Spacer	
54	1	12587100/0	Grower	Grower	
55	1	12295300/0	Mutter	Nut	
61	4	25122200/2	Lager	Bearing	
62	2	182000598/0	Rimm	Rimm	
63	2	25950000/0	Ventil	Valve	
64	2	127590066/0	Tire 15"	Tire 15"	
66	2	25670005/1	Bricka	Washer	
67	2	12001010/0	Låsring	Snap Ring	
68	2	322110233/0	Navkapsel	Hub Cover	

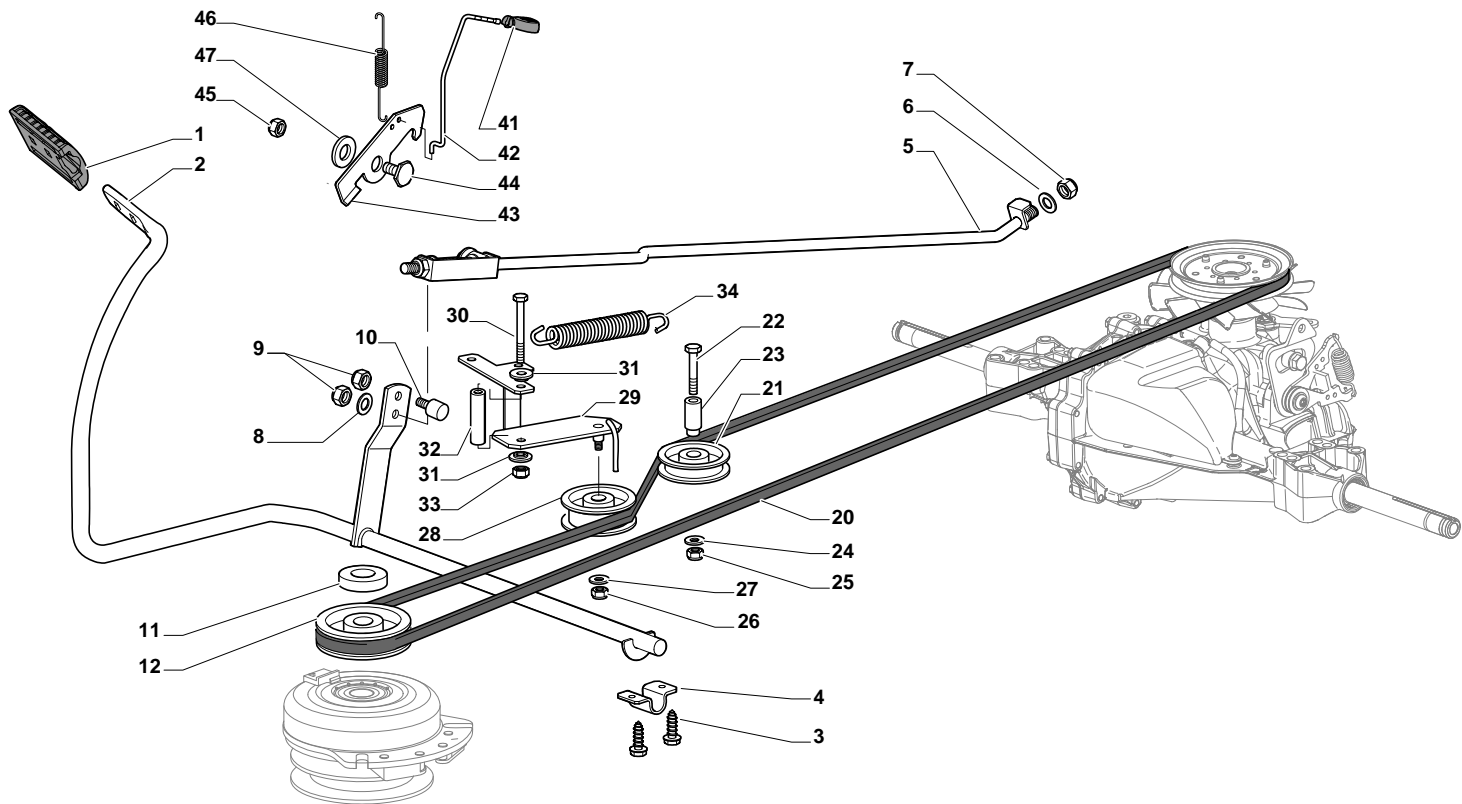




ESTATE TORNADO HST - Model Year 2010

Pos. Fig.	Antal Quantity	Art No Part No	Benämning	Description	Anmärkning Notes
1	1	25110274/0	Clamp Cover Front	Clamp Cover Front	
2	1	382000574/0		Drive Pedal	
3	1	25110331/0	Clamp Cover Rear	Clamp Cover Rear	
4	2	325785350/0		Support	
5	2	325547231/0	Mothäll	Plate	
6	4	12791213/1	Skruv	Screw	
7	4	12154510/0	Mutter	Nut	
8	1	27546019/0	Plåt	Plate (Hydro)	
9	2	12735602/0	Skruv	Screw (Hydro)	
10	2	12540020/0	Bricka	Washer	
11	2	12581100/0	Bricka	Washer (Hydro)	
12	2	12290791/0	Mutter	Nut	
15	1	382000573/0		Rod	
16	2	25670011/0	Bricka	Washer	
17	1	12000955/0	Låsring	Circlip	
18	1	12523040/0	Bricka	Washer	
19	1	12154510/0	Mutter	Nut	
21	4	12691600/0	Skruv	Screw	
22	4	12521350/0	Bricka	Washer	
23	1	118400919/0		Rear Axle	
24	4	12155000/0	Mutter	Nut	
25	2	325670026/0		Washer	
26	1	325785349/0		Support	
27	1	12691700/0	Skruv	Screw	
29	1	12792611/0	Skruv	Screw	
30	2	12523060/0	Bricka	Washer	
31	2	12155000/0	Mutter	Nut	
32	1	12791213/1	Skruv	Screw	
33	1	325318251/0		Lever	
34	1	12154510/0	Mutter	Nut	
41	2	25670005/1	Bricka	Washer	
42	2	125160055/0	Distans	Spacer	
43	6	25670005/1	Bricka	Washer	
44	2	12001010/0	Låsring	Snap Ring	
45	2	322110233/0	Navkapsel	Hub Cover	
46	2	382000597/0	Rimm	Rimm	
47	2	25950000/0	Ventil	Valve	
48	2	125590015/0	Shoe Kenda	Shoe Kenda	

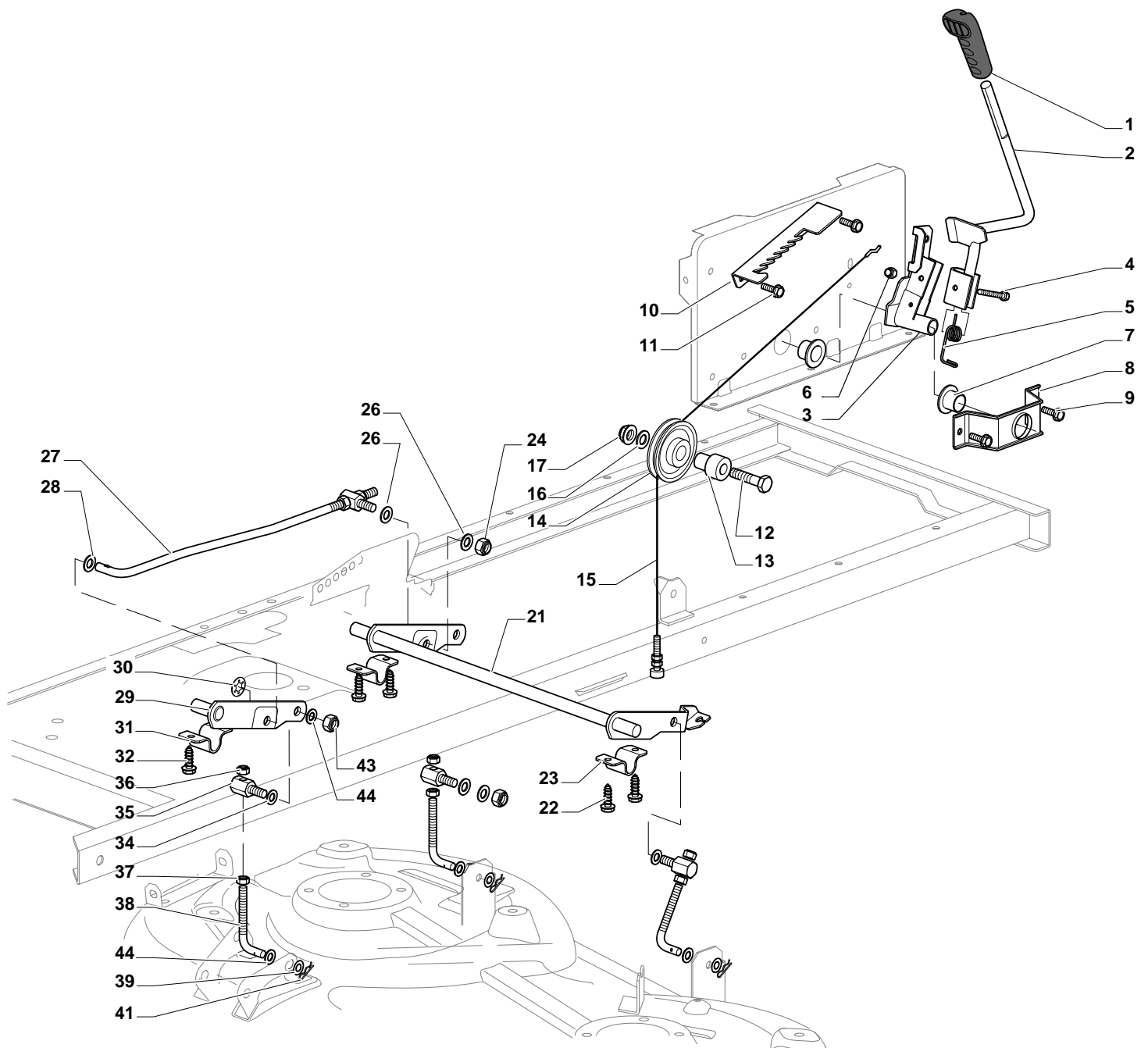
ESTATE TORNADO HST - Model Year 2010





ESTATE TORNADO HST - Model Year 2010

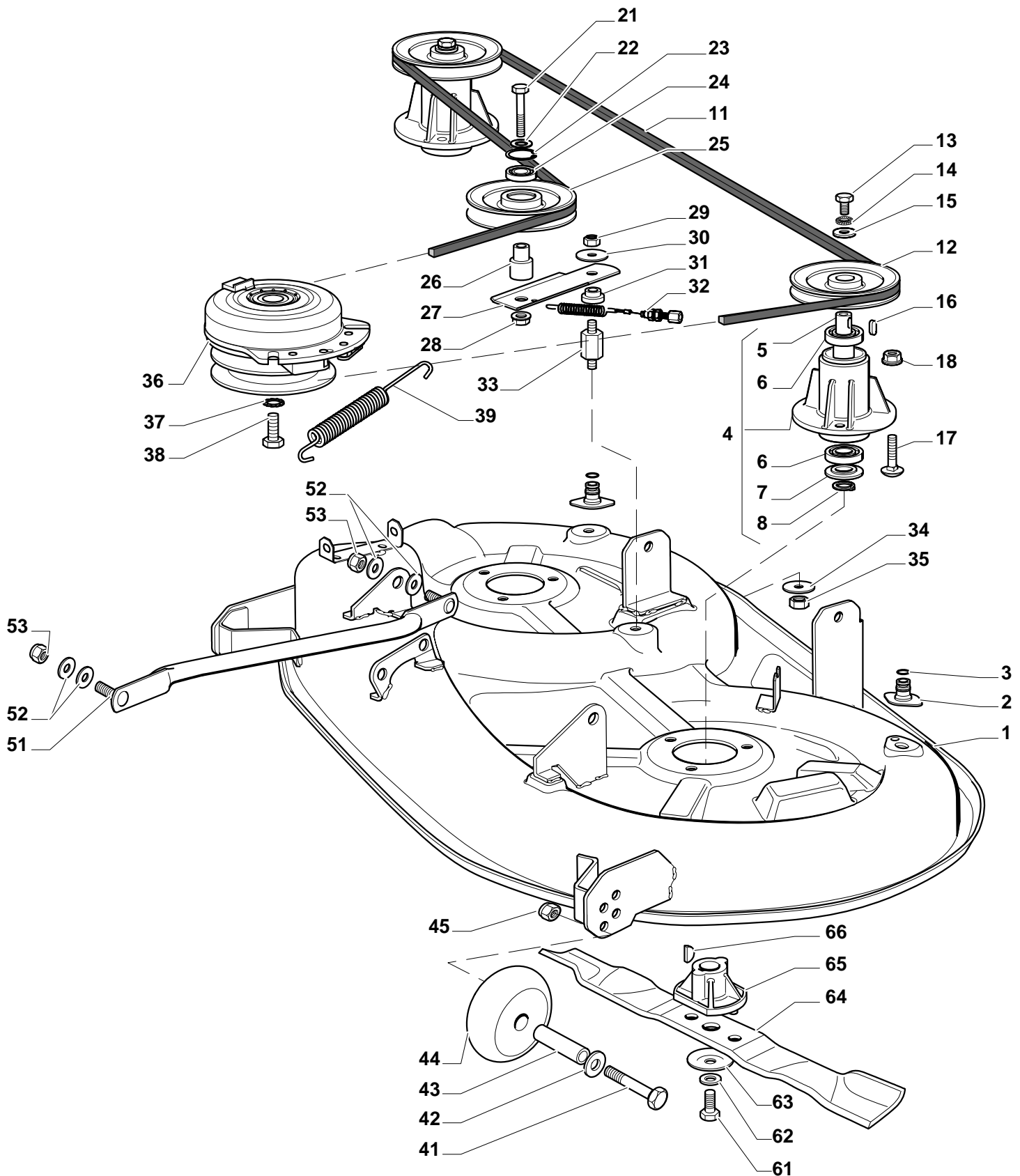
Pos. Fig.	Antal Quantity	Art No Part No	Benämning	Description	Anmärkning Notes
1	1	325110409/0		Clamp Cover	
2	1	382000575/0		Pedal	
3	4	12735599/0	Skruv	Screw	
4	2	325547231/0	Mothill	Plate	
5	1	382000576/0		Rod	
6	1	12521360/0	Bricka	Washer	
7	1	12156602/0	Mutter	Nut	
8	1	25670011/0	Bricka	Washer	
9	2	12155000/0	Mutter	Nut	
10	1	125510116/0		Pin	
11	1	25160021/0	Distans	Spacer	
12	1	125601577/0		Pulley	
13	2	12524010/0	Bricka	Washer	
20	1	135062003/0		Belt	
21	1	25601555/0	Remskiva	Pulley	
22	1	12691400/0	Skruv	Right Screw	
23	1	125160051/0	Distans	Spacer	
24	1	12523060/0	Bricka	Washer	
25	1	12155000/0	Mutter	Nut	
26	1	12155000/0	Mutter	Nut	
27	1	12523060/0	Bricka	Washer	
28	1	25601554/0	Remskiva	Pulley	
29	1	382318235/0	Arm	Lever	
30	1	12691600/0	Skruv	Screw	
31	2	25038002/1	Bussning	Bush	
32	1	25160027/0	Distans	Spacer	
33	1	12155000/0	Mutter	Nut	
34	1	125430262/0	Fjäder	Spring	
41	1	325394534/0	Knopp	Knob	
42	1	125033083/0	Stång	Rod	
43	1	325253011/0	Hake	Hook	
44	1	22524970/2	Sprint	Pin	
45	1	12155000/0	Mutter	Nut	
46	1	25430213/0	Fjäder	Spring	
47	1	12523060/0	Bricka	Washer	





ESTATE TORNADO HST - Model Year 2010

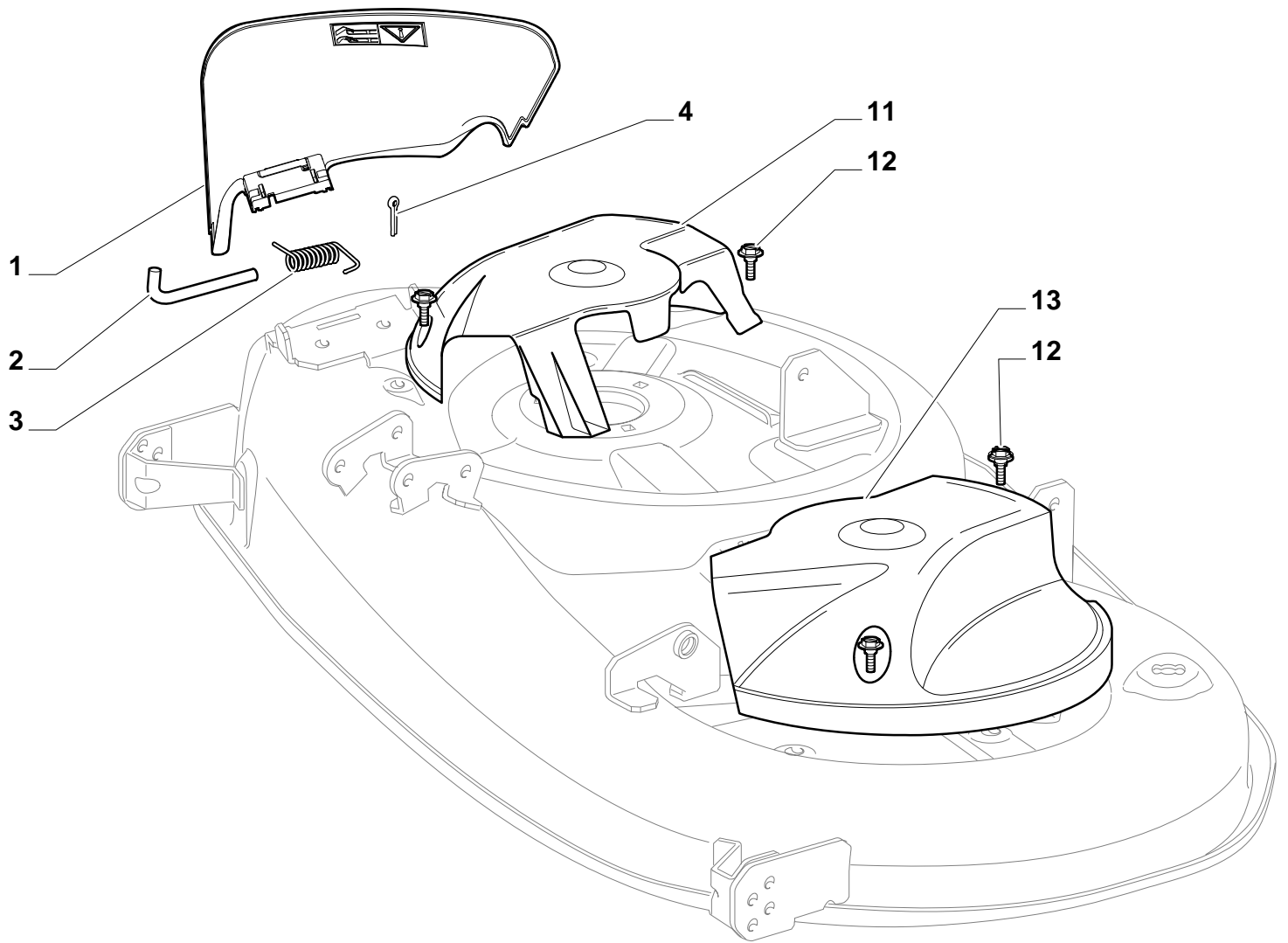
Pos. Fig.	Antal Quantity	Art No Part No	Benämning	Description	Anmärkning Notes
1	1	325394533/0	Knopp	Knob	
2	1	382318229/0	Arm	Lever	
3	1	382318231/0	Axel	Axle	
4	1	12674700/0	Skruv	Screw	
5	1	125430261/0	Fjäder	Spring	
6	1	12154510/0	Mutter	Nut	
7	2	325038006/0	Bussning	Bush	
8	1	325785297/0	Stöd	Support	
9	2	125943009/0	Skruv	Screw	
10	1	325735515/0	Steering Shaft	Steering Shaft	
11	2	125943009/0	Skruv	Screw	
12	1	12793701/0	Skruv	Screw	
13	1	125040636/0	Bussning	Bush	
14	1	125601579/0	Remskiva	Pulley	
15	1	382004620/0	Kabel	Wire	
16	1	12523060/0	Bricka	Washer	
17	1	12293201/0	Mutter	Nut	
21	1	382318239/0	Axel	Axle	
22	4	12735599/0	Skruv	Screw	
23	2	325547231/0	Mothill	Plate	
24	1	12155000/0	Mutter	Nut	
26	2	25670011/0	Bricka	Washer	
27	1	382000569/0	Vevstake	Connecting Rod	
28	1	12521350/0	Bricka	Washer	
29	1	382318237/0	Axel	Axle	
30	1	12604899/0	Låsbricka	Crown Fastener	
31	1	325547231/0	Mothill	Plate	
32	2	12735599/0	Skruv	Screw	
34	3	25670008/1	Bricka	Washer	
35	3	125510107/1	Sprint	Pin	
36	3	12156602/0	Mutter	Nut	
37	3	12295200/0	Mutter	Nut	
38	3	25840012/0	Stång	Tie Rod	
39	3	12523060/0	Bricka	Washer	
41	3	24487998/0	Låsnål	Cotter Pin	
43	3	12156602/0	Mutter	Nut	
44	6	25670008/1	Bricka	Washer	





ESTATE TORNADO HST - Model Year 2010

Pos. Fig.	Antal Quantity	Art No Part No	Benämning	Description	Anmärkning Notes
1	1	382564209/0	Plate	Plate	
2	2	325033086/0	Water Hose Connection	Water Hose Connection	
3	2	19035000/0	O-ring	Or Ring	
4	2	382207204/0	Fläns	Flange Ass.Y	
5	2	125020804/0	Axel	Shaft	
6	4	19216040/0	Lager	Bearing	
7	2	25160501/0	Dammskydd	Dust Cover	
8	2	12609260/0	Seegerring	Seeger	
11	1	135061504/0	Drivrem	Belt	
12	2	25601571/0	Remskiva	Pulley	
13	2	12793102/0	Skruv	Screw	
14	2	12540260/0	Bricka	Grower	
15	2	25670007/0	Bricka	Washer	
16	2	12139480/0	Kil	Key	
17	6	12818690/0	Skruv	Screw	
18	6	12154210/0	Mutter	Nut	
21	1	12691400/0	Skruv	Right Screw	
22	1	12524010/0	Bricka	Washer	
23	1	12610800/0	Seegerring	Seeger	
24	1	19216041/0	Lager	Bearing	
25	1	125601586/0	Remskiva	Pulley	
26	1	125160052/0	Distans	Spacer	
27	1	325318232/0	Arm	Lever	
28	1	12293201/0	Mutter	Nut	
29	1	12155020/0	Mutter	Nut	
30	1	125670022/0	Bricka	Washer	
31	1	125040635/0	Bussning	Bush	
32	1	82004618/0	Kabel	Wire	
33	1	125160049/0	Distans	Spacer	
34	1	12523080/0	Bricka	Washer	
35	1	12156602/0	Mutter	Nut	
36	1	118399063/0	Koppling	Clutch	
37	1	12543000/0	Bricka	Washer	
38	1	12737320/0	Skruv	Screw	
39	1	22430216/0	Fjäder	Spring	
41	2	12692050/0	Skruv	Screw	
42	2	12523060/0	Bricka	Washer	
43	2	25510072/0	Distans	Spacer	
44	2	82700001/0	Stödhjul	Anti Scalp Wheel D.100	
45	2	12293201/0	Mutter	Nut	
51	2	382000565/0	Equalizer Rod	Equalizer Rod	
52	8	25670008/1	Bricka	Washer	
53	4	12156602/0	Mutter	Nut	
61	2	12735694/0	Skruv	Screw	
62	2	12523080/0	Bricka	Washer	
63	2	22160400/0	Bricka	Elastic Washer	
64	2	82004346/0	Kniv	Right Blade Mulching	
65	2	25463200/0	Knivfäste	Blade Hub	
66	2	12139100/0	Kil	Key	

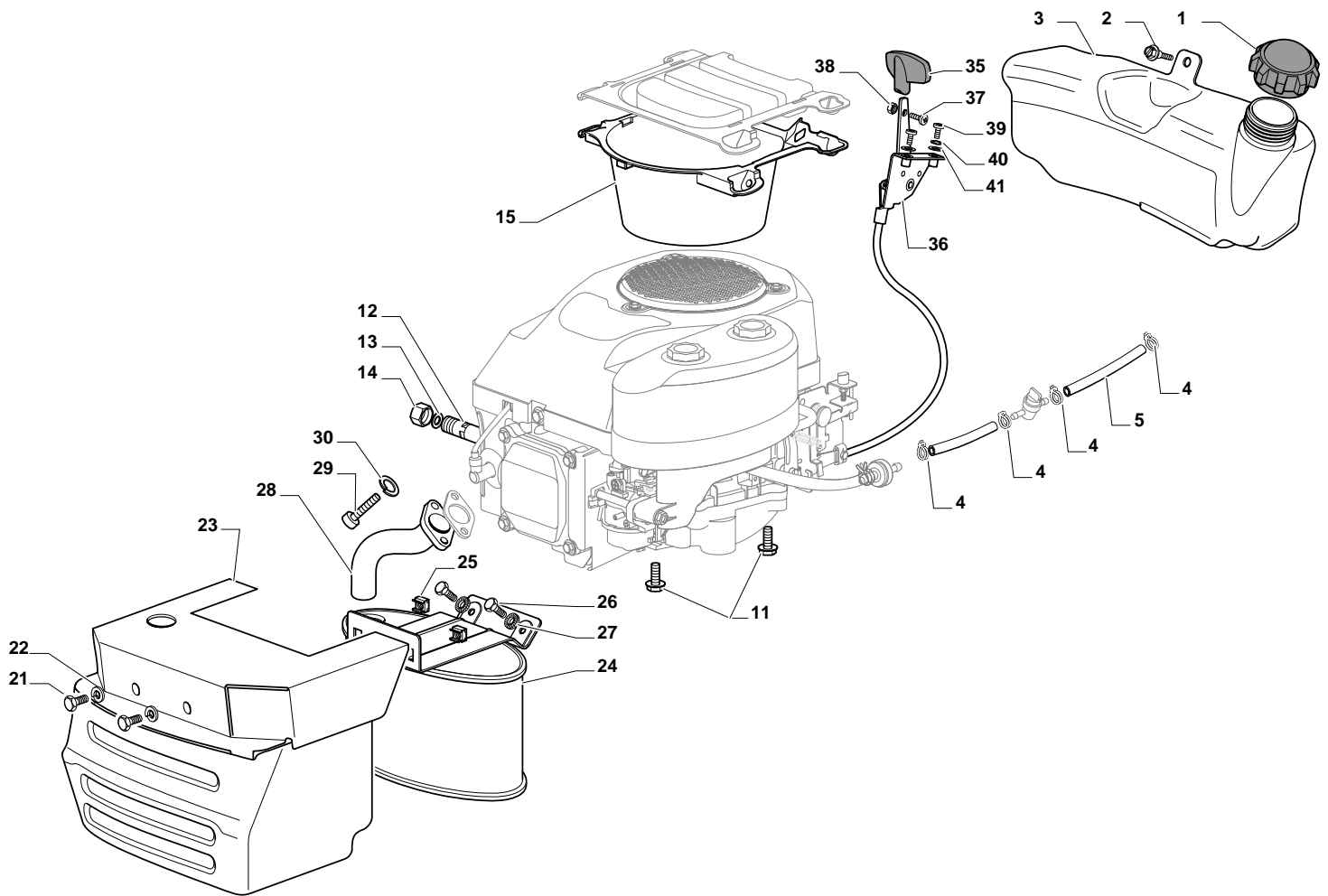




ESTATE TORNADO HST - Model Year 2010

Pos. Fig.	Antal Quantity	Art No Part No	Benämning	Description	Anmärkning Notes
1	1	325600077/1		Exit Protection (SD98)	
2	1	25510073/0	Sprint	Pin	
3	1	125430242/1		Spring	
4	1	12141418/0	Låsnål	Cotter Pin	
11	1	325600078/0	Hus	Case	
12	4	125943006/0	Skruv	Screw	
13	1	325600079/0	Hus	Case	

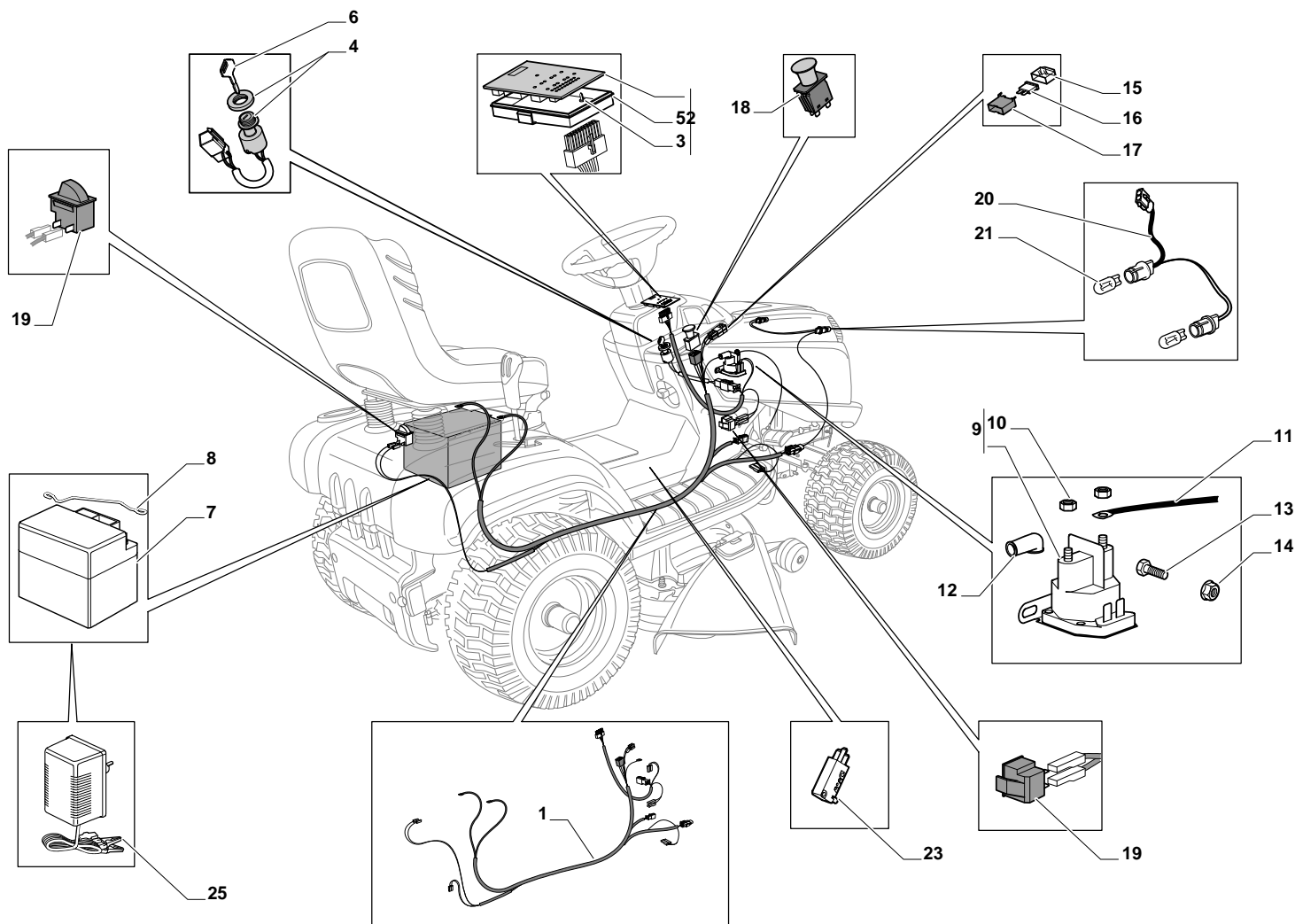
ESTATE TORNADO HST - Model Year 2010





ESTATE TORNADO HST - Model Year 2010

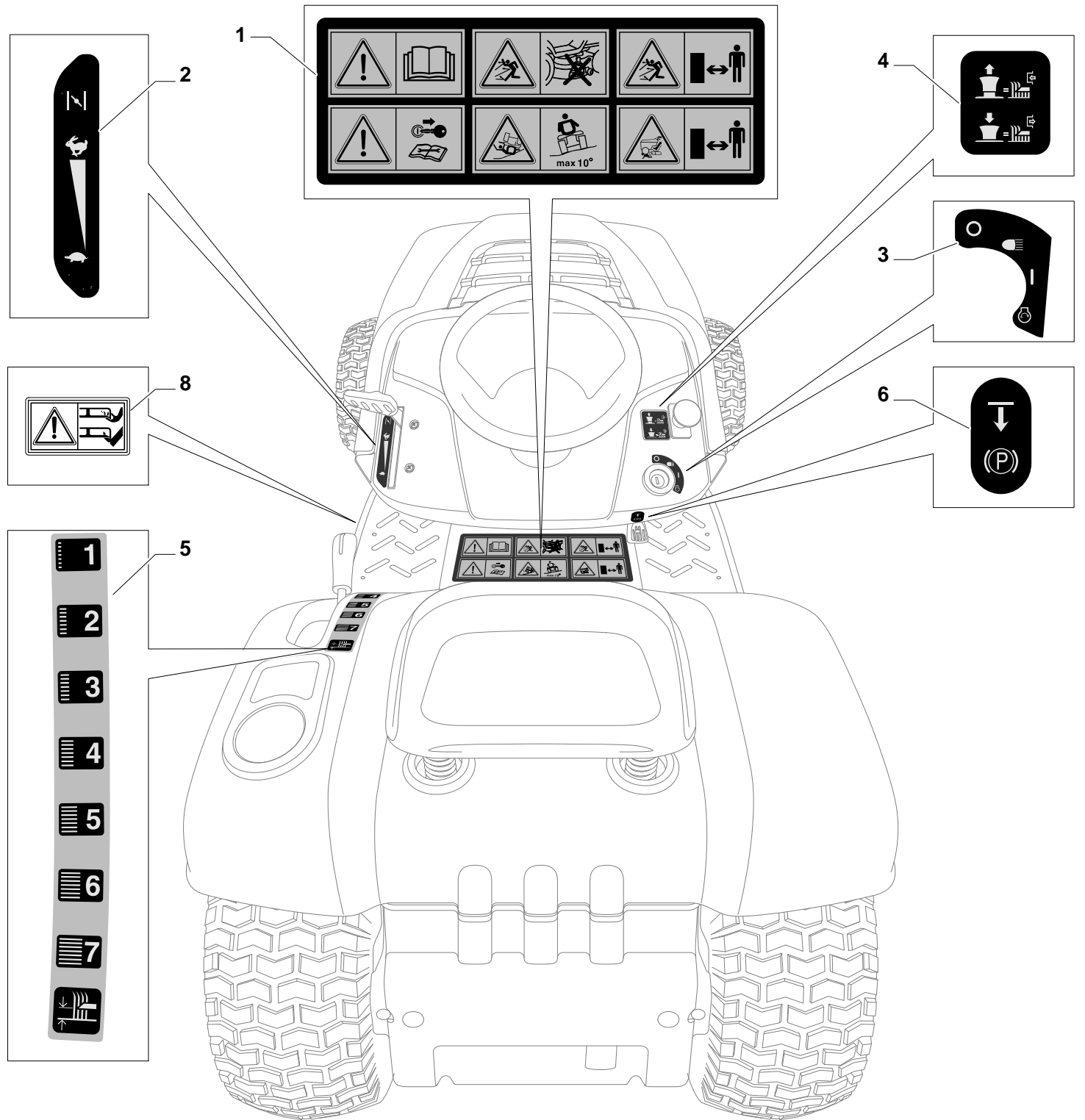
Pos. Fig.	Antal Quantity	Art No Part No	Benämning	Description	Anmärkning Notes
1	1	25795001/1	Lock	Cap	
2	4	125943006/0	Skruv	Screw	
3	1	325735126/0	Tank	Tank	
4	4	18375051/1	Slangklämma	Fair Led	
5	1	25869057/0	Vevstake	Connecting Tube (1000 Mm)	
11	4	112735108/1	Skruv	Screw	
12	1	27598060/0	Oil Discharge Extension	Oil Discharge Extension	
13	1	18401001/1	Tätningring	Oil Seal	
14	1	18737849/0	Lock	Oil Cap	
15	1	325108044/0	Inmatningstratt	Conveyor	
21	2	12792611/0	Skruv	Screw	
22	2	12540260/0	Bricka	Grower	
23	1	382598045/0	Ljuddämparskydd	Muffler Protection	
24	1	182750010/0		Muffler	
25	2	12360425/0	Mutter	Nut	
26	2	12792611/0	Skruv	Screw	
27	2	12540260/0	Bricka	Grower	
28	1	118738231/1	Avgasrör	Exhaust Connecting Tube	
29	2	12737450/0	Skruv	Screw	
30	2	12540260/0	Bricka	Grower	
35	1	325394531/0	Knopp	Knob	
36	1	182000215/0	Gasreglage	Accelerator	
37	1	112726389/0	Skruv	Screw	
38	1	12290800/0	Mutter	Nut	
39	2	112726389/0	Skruv	Screw	
40	2	12540020/0	Bricka	Washer	
41	2	12521310/0	Bricka	Washer	





ESTATE TORNADO HST - Model Year 2010

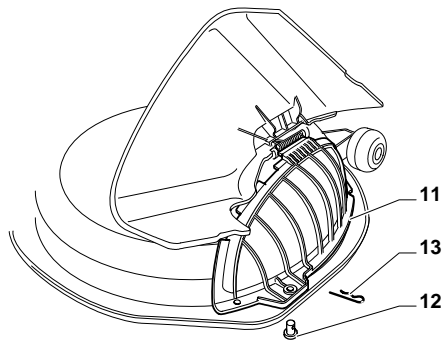
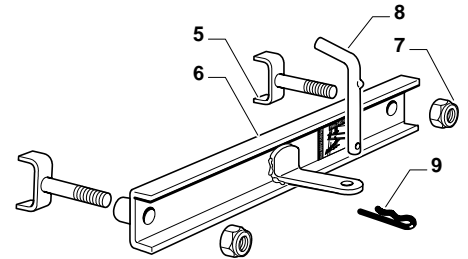
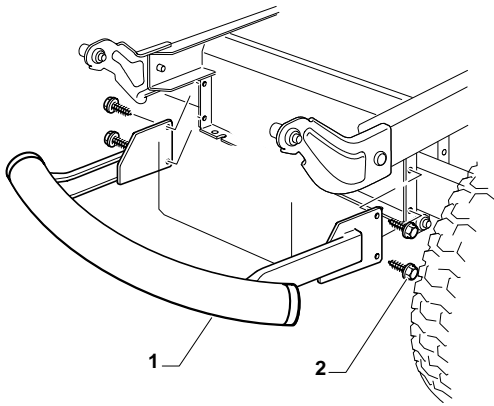
Pos. Fig.	Antal Quantity	Art No Part No	Benämning	Description	Anmärkning Notes
1	1	182040158/0		Cables Ass.Y Hydro	
2	1	125722433/0	Electronic Card (Ggp Engines)	Electronic Card (Ggp Engines)	
2	1	382722429/0		Electronic Card (B&S)	
3	1	12735101/0	Skruv	Screw	
4	1	118450075/0	Brytare	Starting Switch	
5	1	325600080/0	Skydd-röd	Card Protection	
6	1	118210023/0	Starting Key	Starting Key	
7	1	18120002/1	Batteri	Battery	
8	1	125430265/0	Fjäder	Spring	
9	1	18736111/0	Starter Relay	Starter Relay	
10	2	12360352/0	Mutter	Nut	
11	1	25065002/0	Kabel	Cable	
12	1	18564864/1	Tätningshylsa	Protection	
13	1	12790781/0	Skruv	Screw	
14	2	12154510/0	Mutter	Nut	
15	2	33215000/0	Kåpa	Cover	
16	1	33340036/0	Säkring	Fuse 25 A	
16	1	33340040/0	Säkring	Fuse 10 A	
17	2	33500007/0	Säkring	Fuse Carrier	
18	1	118450074/0	Kopplingshus	Clutch Switch	
19	2	119410613/0	Micro	Micro	
20	1	82040073/0	Kabel	Cable	
21	2	18459100/0	Farilamp For Lights	Farilamp For Lights	
23	1	19410609/0	Neutral Switch (Hydro)	Neutral Switch (Hydro)	
25	1	182180090/0		Battery Charger	
25	1	182180091/0		Battery Charger (U.K.)	





ESTATE TORNADO HST - Model Year 2010

Pos. Fig.	Antal Quantity	Art No Part No	Benämning	Description	Anmärkning Notes
1	1	114362365/1	Dekal	Label	
2	1	114363697/0	Dekal	Label	
3	1	114363699/0	Dekal	Label	
4	1	14361438/0	Dekal	Label	
5	1	114363701/0	Dekal	Label	
6	1	114363700/0	Dekal	Label	
8	1	114356699/1	Dekal	Label	



**ESTATE TORNADO HST - Model Year 2010**

Pos. Fig.	Antal Quantity	Art No Part No	Benämning	Description	Anmärkning Notes
1	1	382869038/0		Muffler Protection	
2	4	125943008/0		Screw	
5	2	382650211/0		Stiffening	
6	1	382033111/0		Rod	
7	2	12155000/0	Mutter	Nut	
8	1	25510021/1	Sprint	Pin	
9	1	24487999/0	Låsnål	Cotter Pin	
11	1	325140099/0		Deflector (SD 98)	
12	1	125510111/0		Pin	
13	1	24487998/0	Låsnål	Cotter Pin	