



Reservdelskatalog Parts Catalogue

ST 5266 PB TRAC

18-2872-11 - Season 2018

- Use STIGA S.p.A. Genuine Spare Parts specified in the parts list for repair and/or replacement.
 - The contents described in the parts list may change due to improvement.
 - The drawings of the spare parts are only indicative and might not represent the part in question exactly.
 - The indications "right" - "left" - "front" - "rear" refer to the position of the operator when using the machine.
- When placing orders of parts for repair and/or replacement, make sure that the illustrated parts list is the one applying to the machine's year of manufacture, as shown on the identification plate attached to the machine.

© Copyright 2018 STIGA S.p.A.

All rights reserved. No part of this material may be reproduced or transmitted, in any form or by any means, electronic or mechanical, including photocopying, recording or by any information storage and retrieval system, without permission in writing from STIGA S.p.A.

www.stiga.com

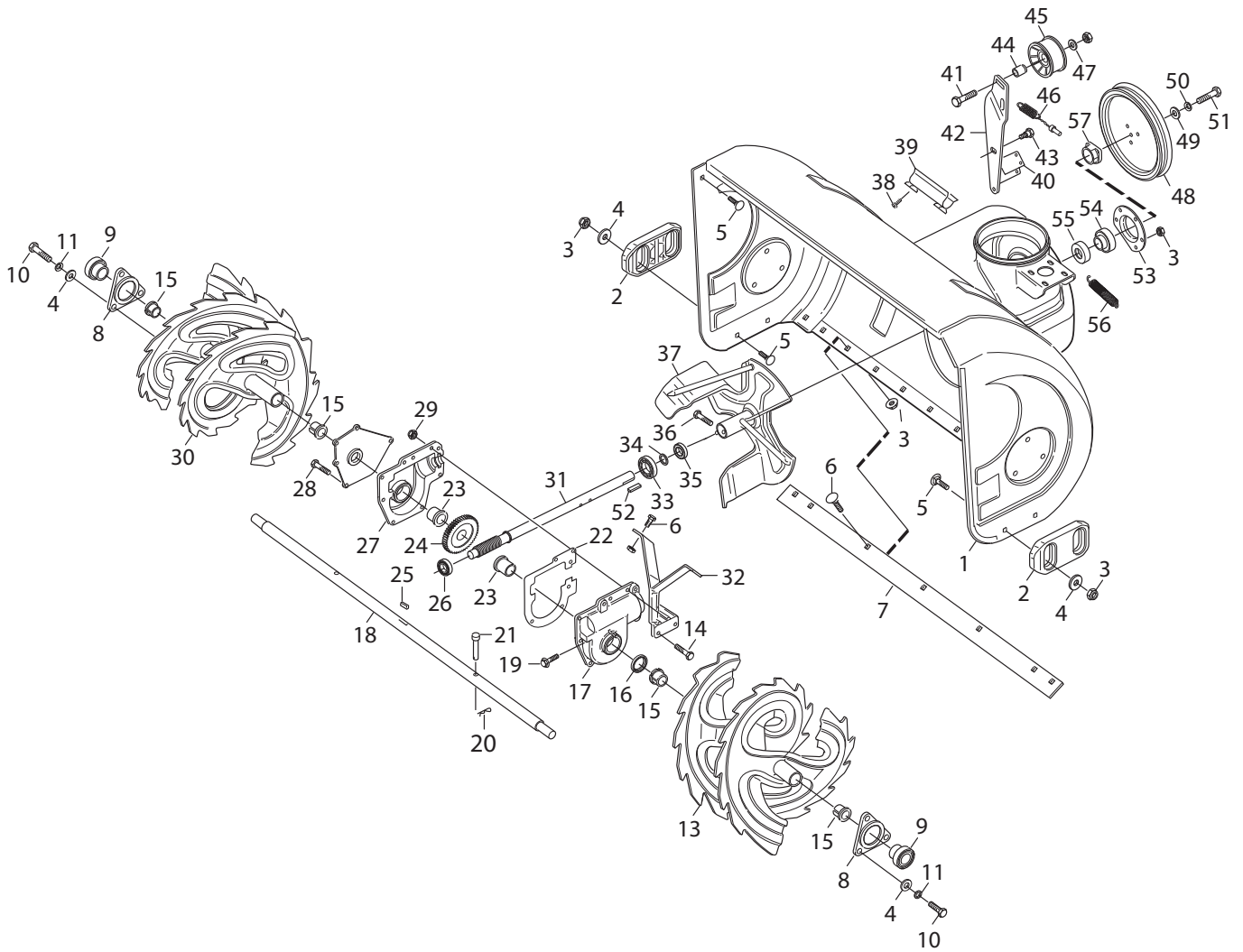


Bild 1 vers. 2

Utgåva Issue 37 - 2017		Inmatningshus Auger housing			
Pos. Fig.	Antal Q.ty	Art nr Part No	Benämning	Description	Anmärkning Notes
1	1	1811-2987-01	Inmatningshus	Auger Housing	
2	2	1811-3046-01	Släpsko	Slid shoe	
3	16	9747-0831-02	Mutter Loc-King	Lock Nut	
4	10	9699-0056-02	Bricka	Washer	
5	8	9897-0820-16	Skruv	Screw	
6	8	9897-0818-16	Skruv	Screw	
7	1	1811-2988-01	Skrapskär	Scraper Blade	
8	2	1811-3049-01	Lagerhus	Bearing Housing	
9	2	1811-3050-01	Lager	Bearing	
10	6	9997-0820-16	Skruv	Screw	
11	6	9695-0002-00	Bricka	Washer	
13	1	1811-2983-01	Snöskruv-vä	Auger	
14	2	9997-0625-16	Skruv	Screw	
15	4	1811-3051-01	Bussning	Bushing	
16	2	1811-3143-01	Tätning	Sealing	
17	1	1811-3106-01	Snäckväxelhus-Ho	Right worm housing	
18	1	1811-2989-01	Utgående	Axel Output Shaft	
19	1	9739-1031-22	Mutter	Nut	
20	2	1811-3080-01	Låspinne	Cotter Pin	
21	2	1811-2986-01	Brytbult	Shear bolt	
22	1	1811-3107-01	Packning	Sealing	
23	2	1811-3052-01	Hylsa utgående	Axel Output Shaft Sleeve	
24	1	1811-3108-01	Snäckväxel	Worm gear	
25	1	1811-3144-01	Kil	Key	
26	1	1811-3145-01	Kullager	Ball bearing	
27	1	1811-3083-01	Snäckväxelhus-hö	Worm gear housing-RH	
28	7	9997-0625-01	Skruv	Screw	
29	5	9747-0631-02	Mutter Loc-King	Lock Nut	
30	1	1811-2984-01	Snöskruv-hö	Auger-RH	
31	1	1811-3101-01	Axel	Worm shaft	
32	1	1811-3100-01	Stagfäste	Strut plate	
33	1	1811-3146-01	Kullager	Ball bearing	
34	1	1811-3109-01	Axelbussning	Shaft sleeve	
35	1	1811-3147-01	Kullager	Ball bearing	
36	2	9997-0835-16	Skruv	Screw	
37	1	1811-2990-01	Fläkt	Fan	
38	2	1811-3148-01	Skruv	Screw	
39	1	1811-3053-01	Verktysfäste	Tool Bracket	
40	1	1811-3110-01	Bromsplatta	Braking plate	
41	1	9897-0840-16	Skruv	Screw	
42	1	1811-3102-01	Fäste	Screw	
43	1	1811-3104-01	Skruv	Screw	
44	1	1811-3055-01	Bussning	Bushing	
45	1	1811-3057-01	Spännrulle	Tension pulley	
46	1	1811-3058-01	Reglagevajer	Auger pull wire	
47	1	1811-3056-01	Fäste	Pad	
48	1	1811-3103-01	Remskiva	Belt pulley	
49	1	9699-0109-01	Bricka	Flat washer	
50	1	9685-0010-02	Bricka	Washer	

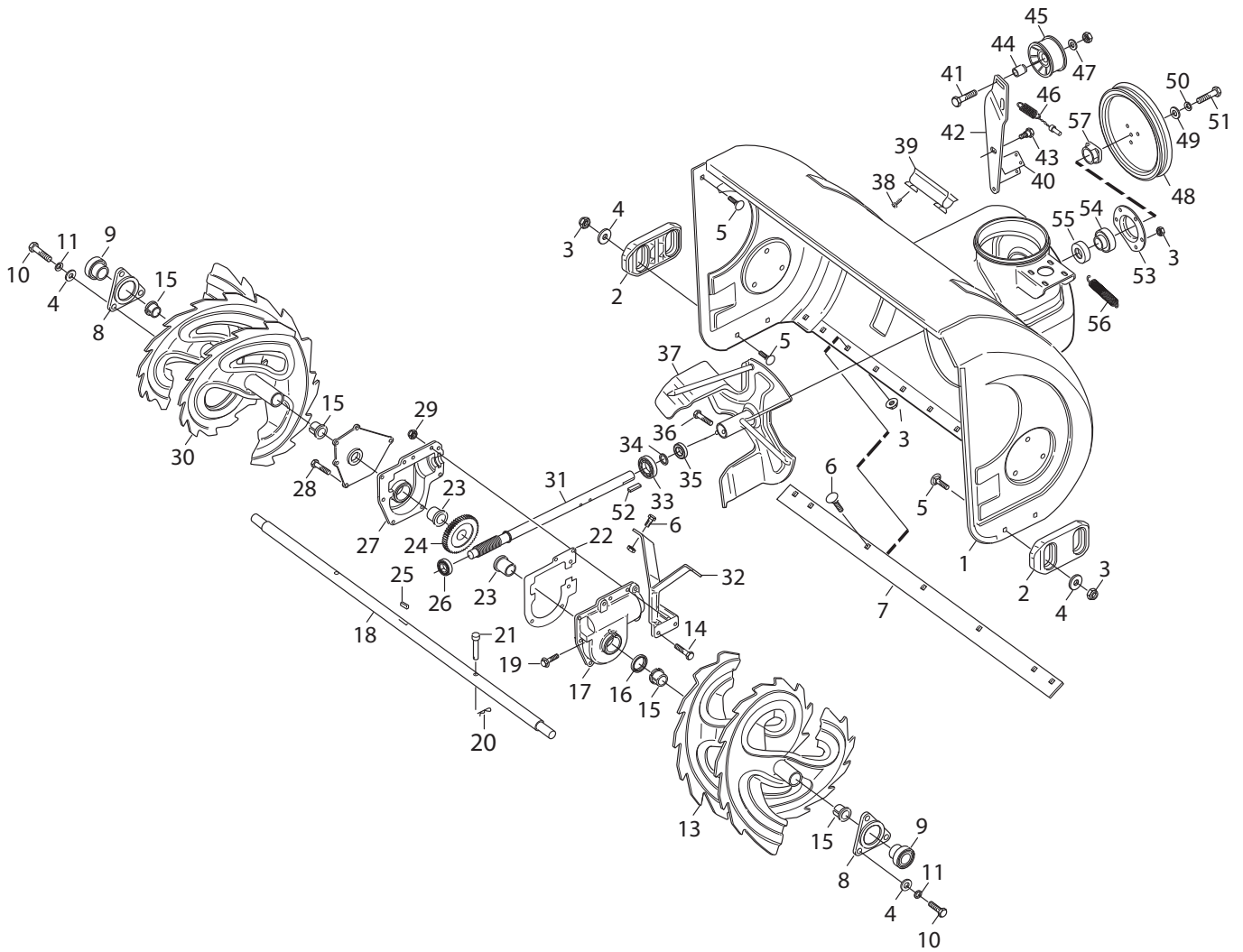
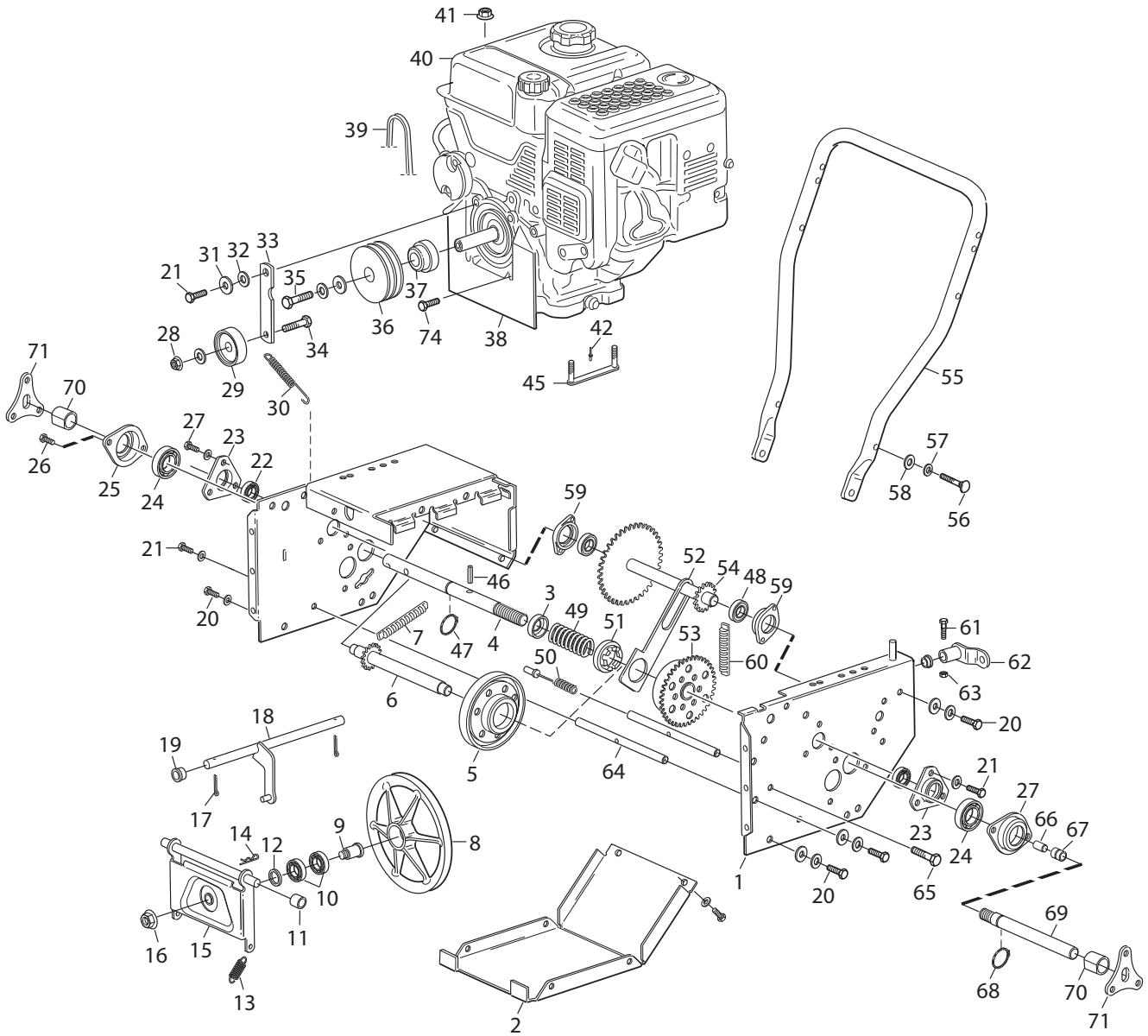
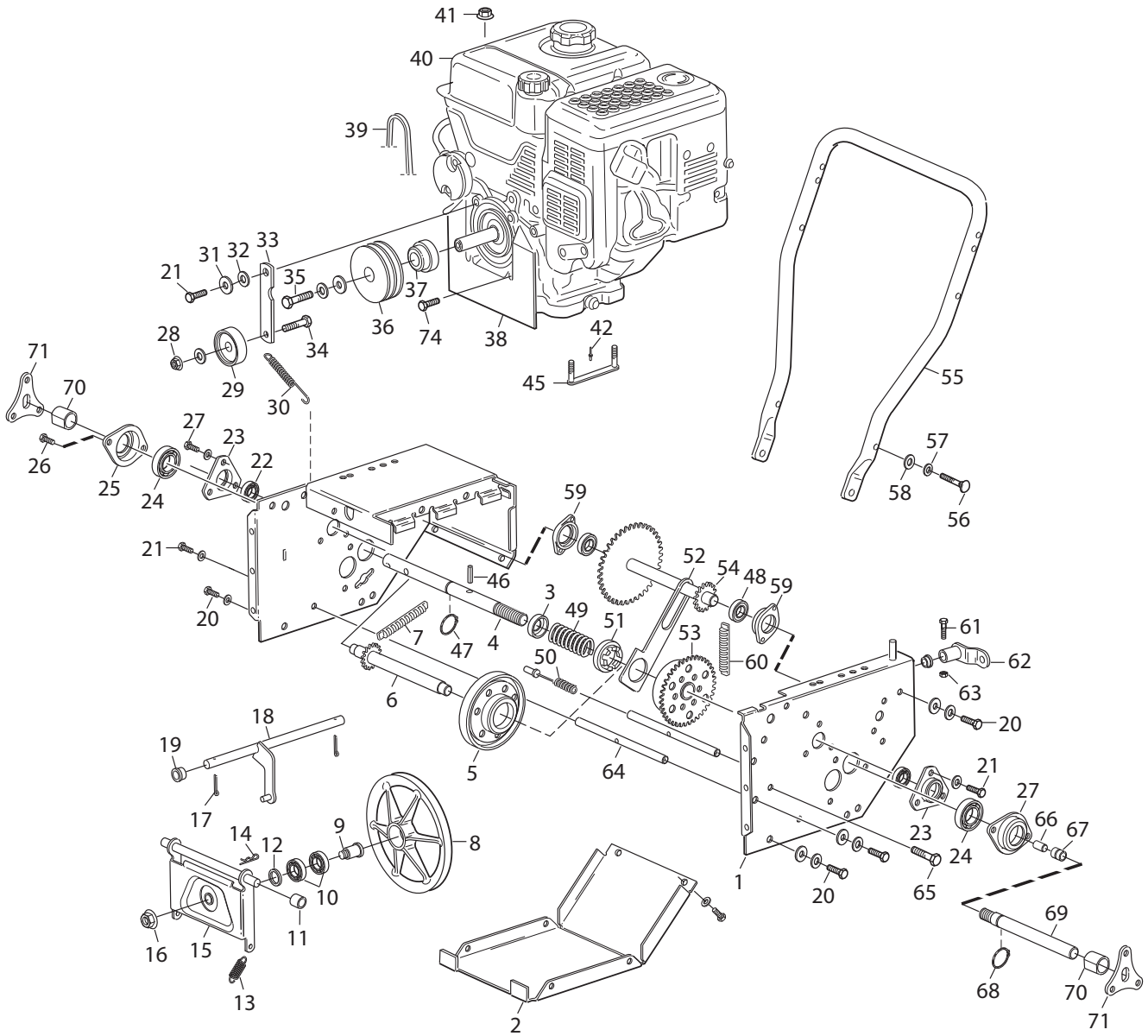


Bild 1 vers. 2

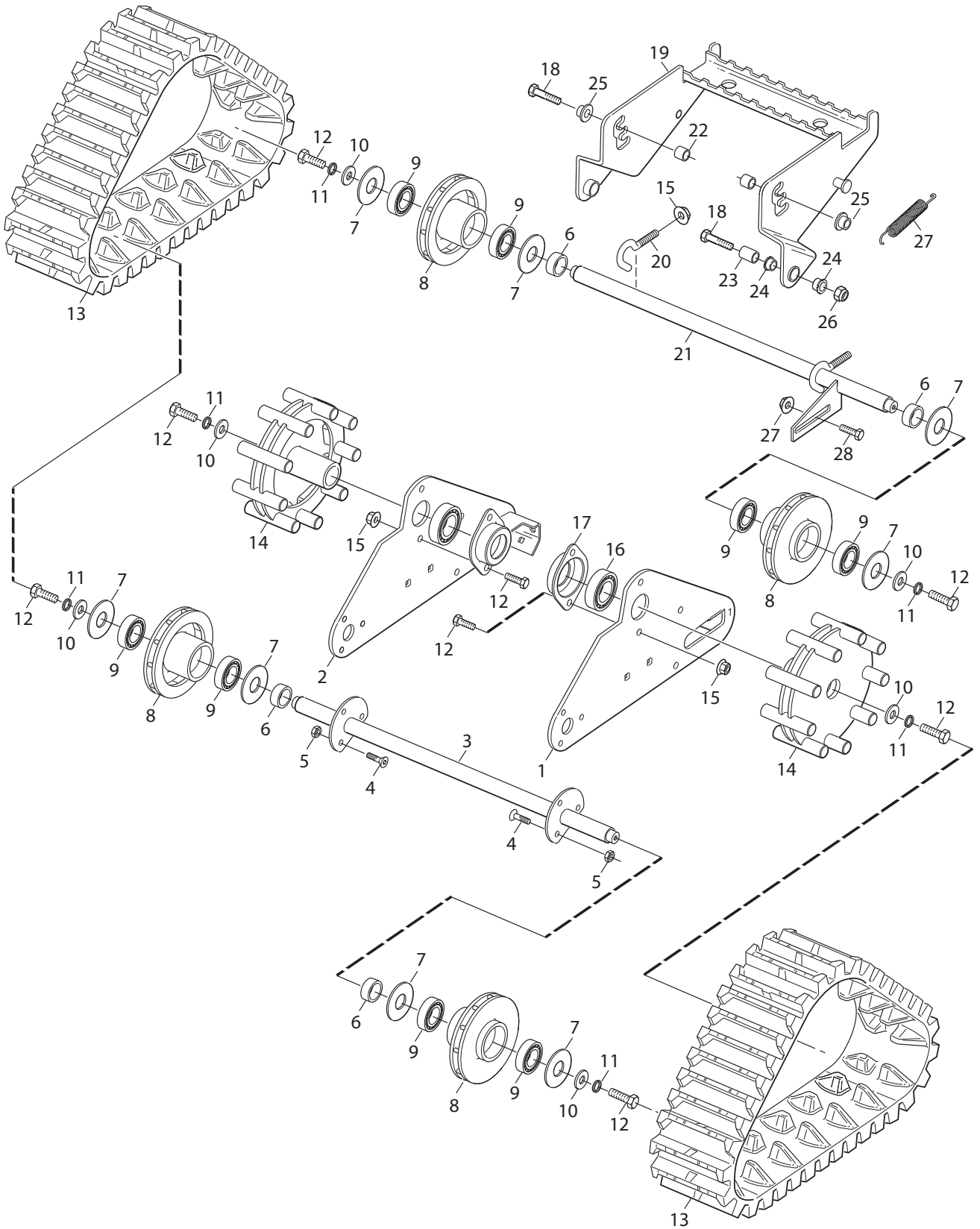
Utgåva Issue 37 - 2017		Inmatningshus Auger housing			
Pos. Fig.	Antal Q.ty	Art nr Part No	Benämning	Description	Anmärkning Notes
51	1	9997-1025-16	Skruv	Screw	
52	1	1811-3149-01	Kil	Key	
53	1	1811-3054-01	Kåpa	Cover	
54	1	1811-3134-01	Kullager	Ball bearing	
55	1	1811-3081-01	Axelbussning	Shaft sleeve	
56	1	1811-3063-01	Fjäder	Spring	
57	1	1811-3159-01	Brytare	Switch	



Utgåva Issue 37 - 2017		Motor	Engine		
Pos. Fig.	Antal Q.ty	Art nr Part No	Benämning	Description	Anmärkning Notes
1	1	1811-3001-01	Ramsida	Frame	
2	1	1811-3111-01	Bättenplåt	Bottom plate	
3	1	1811-3002-01	Hylsa	Collar	
4	1	1811-3003-01	Axel	Shaft	
5	1	1811-3062-01	Spännrulle	Pulley	
6	1	1811-3004-01	Axel	Shaft	
7	1	1811-3136-01	Kedjerulle	Chain roller	
8	1	1811-3114-01	Friktionskiva	Friction disc	
9	1	1811-3117-01	Axel	Shaft	
10	4	1811-3150-01	Kullager	Ball bearing	
11	1	1811-3126-01	Bricka	Washer	
12	1	1811-3061-01	Distans	Spacer bush	
13	1	1811-3059-01	Fjäder	Spring	
14	1	1811-3080-01	Låspinne	Cotter Pin	
15	1	1811-3060-01	Fäste	Bracket	
16	1	9747-1031-02	Mutter Loc-King	Lock Nut	
17	2	1811-3151-01	Hårnålssprint	Split pin	
18	1	1811-3112-01	Gaffel	Fork	
19	2	1811-3113-01	Plastbussning	Plastic bushing	
20	16	9997-0612-16	Skruv	Screw	
21	5	9997-0815-16	Skruv	Screw	
22	2	1811-3152-01	Kullager	Ball bearing	
23	2	1811-3116-01	Lagerhus	Bearing Housing	
24	2	1811-3153-01	Kullager	Ball bearing	
25	2	1811-3115-01	Lagerhus	Bearing Housing	
26	4	9997-0816-16	Skruv	Screw	
27	1	9997-0820-16	Skruv	Screw	
28	6	9747-0831-02	Mutter Loc-King	Lock Nut	
29	1	1811-3064-01	Spännrulle	Tension pulley	
30	1	1811-3118-01	Fjäder	Spring	
31	2	9685-0002-00	Bricka	Washer	
32	1	1811-3047-01	Spännarmsfäste	Bracket	
33	1	1811-3124-01	Spännarm	Tension Arm	
34	1	9997-0845-16	Skruv	Screw	
35	1	9997-0835-16	Skruv	Screw	
36	1	1811-3119-01	Remhjul	Pulley	
37	1	1811-3120-01	Remhjul	Pulley	
38	1	1811-3121-01	Remskydd	Belt Cover	
39	1	1811-3140-01	Rem	Belt	
40	1				B&S 1150 Snow Series
41	4	9747-0831-02	Mutter Loc-King	Lock Nut	
42	2	1811-3155-01	Blindnit	Blind rivet	
43	4	9997-0835-16	Skruv	Screw	
44	2	1811-3155-01	Blindnit	Blind rivet	
45	1	1811-3122-01	Dubbelbult	Double bult	
46	1	1811-3156-01	Spännstift	Locating pin	
47	1	1811-3157-01	Spårring	Circlip	
48	1	1811-3065-01	Lager	Bearing	
49	1	1811-3005-01	Fjäder	Spring	

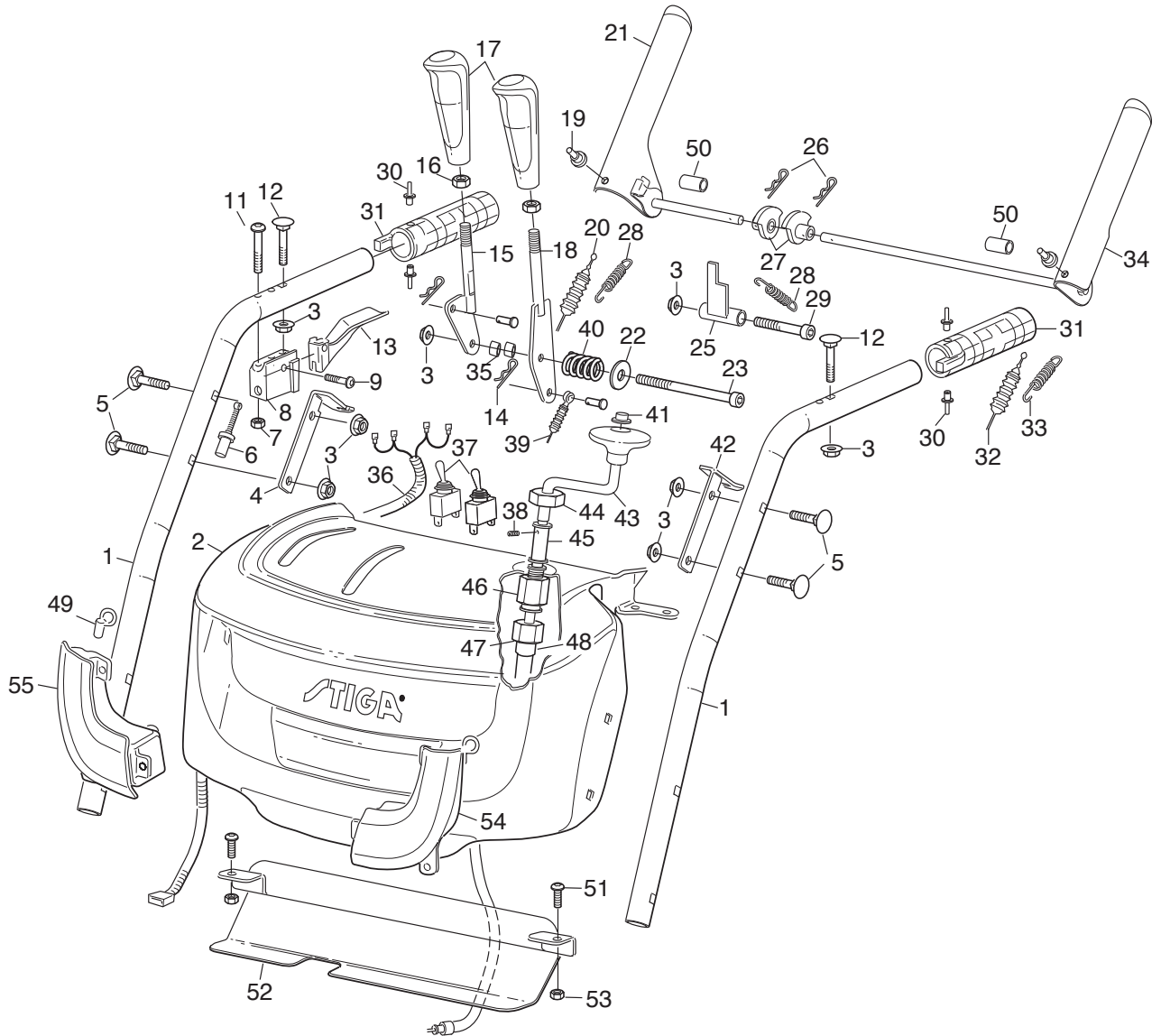


Utgåva Issue 37 - 2017		Motor	Engine		
Pos. Fig.	Antal Q.ty	Art nr Part No	Benämning	Description	Anmärkning Notes
50	1	1811-3006-01	Kopplingswire	Clutch cable	
51	1	1811-3007-01	Axelkoppling	Auxiliary clutch	
52	1	1811-3008-01	Kopplingsstag	Clutch fork	
53	1	1811-3009-01	Differential	Differential	
54	1	1811-3010-01	Axel	Shaft	
55	1	1811-3123-01	Handtag, nedre	Handle, lower	
56	2	9997-1045-01	Skruv	Screw	
57	2	9685-0010-02	Bricka	Washer	
58	2	9699-0035-02	Bricka	Washer	
59	2	1811-3011-01	Lagerhus	Bearing Housing	
60	1	1811-3137-01	Kedjerulle	Chain roller	
61	1	9997-0630-16	Skruv	Screw	
62	1	1811-3012-01	Växelkoppling	Gear connector	
63	1	9747-0631-01	Mutter	Nut	
64	2	1811-3125-01	Stag	Strut	
65	1	9997-0635-16	Skruv	Screw	
66	1	1811-3013-01	Axel	Shaft	
67	3	1811-3139-01	Axelbussning	Shaft sleeve	
68	2	1811-3158-01	Spårring	Spring ring	
69	1	1811-3014-01	Axel	Shaft	
70	2	1811-3015-01	Bussning	Bushing	
71	2	1811-3016-01	Fäste	Bracket	
72	1	1811-3017-01	Kedjspännare	Chain tensioner	Not illustrated
73	1	1811-3018-01	Kedjehjul	Sprocket	Not illustrated
74	2	9997-0810-12	Skruv	Screw	

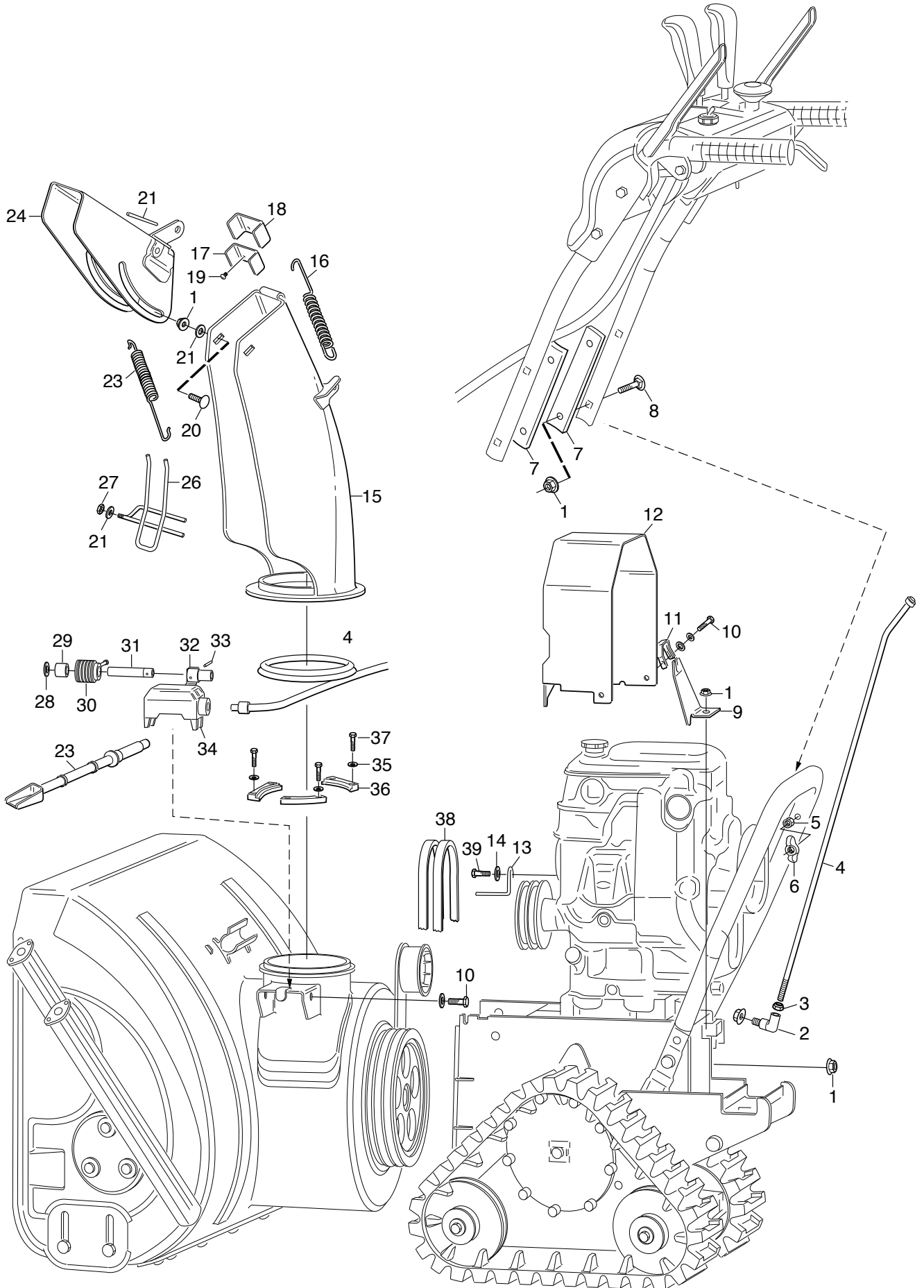


Utgåva Issue 37 - 2017		Track			
Pos. Fig.	Antal Q.ty	Art nr Part No	Benämning	Description	Anmärkning Notes
1	1	1811-3086-01	Fäste-vä	Bracket-LH	
2	1	1811-3087-01	Fäste-hö	Bracket-RH	
3	1	1811-3088-01	Axel, TRAC	Shaft, TRAC	
4	6	9897-0615-16	Skruv	Screw	
5	7	9747-0631-02	Mutter Loc-King	Lock Nut	
6	4	1811-3089-01	Axelbussning	Shaft Bushing	
7	8	1811-3090-01	Bricka	Washer	
8	4	1811-3091-01	Rulle, TRAC	Ider pulley	
9	8	1811-3141-01	Kullager	Ball bearing	
10	6	9699-0056-02	Bricka	Washer	
11	6	9699-0002-02	Bricka	Washer	
12	10	9997-0816-16	Skruv	Screw	
13	2	1811-3135-01	TRAC	TRAC	
14	2	1811-3092-01	Remskiva, TRAC	Pulley, TRAC	
15	10	9739-0831-22	Mutter	Nut	
16	2	1811-3142-01	Kullager	Ball bearing	
17	2	1811-3115-01	Lagerhus	Bearing Housing	
18	2	9997-1040-16	Skruv	Screw	
19	1	1811-3082-01	Ram	Frame	
20	2	1811-3093-01	Krok	Hook	
21	1	1811-3094-01	Axel, TRAC-bakre	Shaft, TRAC-rear	
22	2	1811-3098-01	Bussning	Bushing	
23	2	1811-3095-01	Bussning	Bushing	
24	4	1811-3084-01	Plastbussning	Plastic bushing	
25	6	1811-3096-01	Fäste	Pad	
26	2	9739-1031-22	Mutter	Nut	
27	2	1811-3097-01	Fjäder	Spring	
28	2	9997-0820-16	Skruv	Screw	

Utgåva Issue 37 - 2017		Reglage		Controls	
Pos. Fig.	Antal Q.ty	Art nr Part No	Benämning	Description	Anmärkning Notes
1	2	1811-3019-01	Styre, övre	Handle, upper	
2	1	1811-3020-01	Panel	Cover	
3	7	1811-0831-02	Mutter	Nut	
4	1	1811-3021-01	Vajerfäste	Bracket	
5	4	9897-0840-12	Skruv	Screw	
6	1	1811-3006-01	Kopplingswire	Clutch cable	
7	1	9747-0631-02	Mutter Loc-King	Lock Nut	
8	1	1811-3022-01	Handtagsfäste	Bracket, handle	
9	1	1811-3023-01	Bult	Bolt	
10	2	9997-0530-16	Skruv	Screw	
11	2	9898-0530-16	Skruv	Screw	
12	2	9897-0530-12	Skruv	Screw	
13	2	1811-3024-01	Kopplingshandtag	Differential lever	
14	2	1811-3080-01	Låspinne	Cotter Pin	
15	1	1811-3025-01	Växelhandtag	Gear Handle Bar	
16	2	9799-1031-02	Mutter	Nut	
17	2	1811-3026-01	Knopp	Gear Handle Cover	
18	1	1811-3027-01	Spak	Deflector Handle Lever	
19	2	1811-3070-01	Gummibussning	Rubber pad	
20	1	1811-3129-01	Reglagevajer	Pull wire	
21	1	1811-3028-01	Handtag, hö	Handle, RH	
22	1	9699-0056-01	Bricka	Flat washer	
23	1	9898-0812-02	Vagnsbult Mvbf M8X120	Screw	
24	1	9739-0831-22	Mutter	Nut	
25	1	1811-3068-01	Stop	Stopper	
26	2	1811-3073-01	Låspinne	Locking pin	
27	2	1811-3069-01	Kam	Cam	
28	2	1811-3067-01	Fjäder	Spring	
29	1	9898-0860-12	Skruv	Screw	
30	4	1811-3154-01	Blindnit	Blind rivet	
31	2	1811-3099-01	Värmehandtag	Heated handle	
32	1	1811-3105-01	Reglagevajer	Wire, auger	
33	1	1811-3071-01	Fjäder	Spring	
34	1	1811-3029-01	Handtag, vä	Handle, LH	
35	2	1811-3048-01	Bussning	Bushing	
36	1	1811-3030-01	Kablage	Harness	
37	2	1811-2985-01	Brytare	Switch	
38	1	1811-3159-01	Brytare	Switch	
39	1	1811-3072-01	Reglagevajer	Control wire	
40	1	1811-3066-01	Fjäder	Spring	
41	1	1811-3132-01	Mutterhat	Nut cap	M8
42	1	1811-3031-01	Vajerfäste, vä	Bracket, LH	
43	1	1811-3052-01	Hylsa utgående	Axel Output Shaft Sleeve	
44	1	1811-3034-01	Spak	Rod	
45	1	1811-3035-01	Fäste	Bracket	
46	1	1811-3039-01	Anslutning, övre	Connector, upper	
47	1	1811-3037-01	Lower fixing seat	Lower fixing seat	
48	1	1811-3036-01	Flexibel axel	Flexible shaft	
49	6	9898-0812-16	Skruv	Screw	



Utgåva Issue 37 - 2017		Reglage Controls			
Pos. Fig.	Antal Q.ty	Art nr Part No	Benämning	Description	Anmärkning Notes
50	2	1811-3038-01	Bussning	Bushing	
51	2	9898-0612-16	Skruv	Screw	
52	1	1811-3033-01	Kåpa	Cover	
53	2	9747-0831-02	Mutter Loc-King	Lock Nut	
54	1	1811-3040-01	LED ljus, vå	LED light,LH	
55	1	1811-3041-01	LED ljus, hö	LED light,RH	
56	2	1811-3163-01	Låspinne	Locking pin	



Utgåva Issue 37 - 2017		Utkast Chute			
Pos. Fig.	Antal Q.ty	Art nr Part No	Benämning	Description	Anmärkning Notes
1	9	9739-0831-22	Mutter	Nut	
2	1	1811-3074-01	Vinkellänk	Elbow link	
3	1	1811-3159-01	Brytare	Switch	
4	1	1811-3042-01	Växelstag	Gear rod	
5	4	1811-3160-01	Plastmutterhus	Plastic nut housing	
6	4	1811-3161-01	Plastmutter	Plastic nut	
7	2	1811-3043-01	Fäste	Bracket	
8	4	112819110/0	Skruv	Screw	
9	1	1811-3044-01	Fäste	Bracket	
10	5	9997-0612-16	Skruv	Screw	
11	1	1811-2998-01	Fäste	Bracket	
12	1	1811-3130-01	Remskydd	Belt Cover	
13	1	1811-3131-01	Belt Rod	Belt Rod	
14	1	9699-0056-02	Bricka	Washer	
15	1	1811-2981-01	Utkast	Chute assemble	
16	1	1811-3076-01	Fjäder	Spring	
17	1	1811-2999-01	Platta	Plate	
18	1	1811-3000-01	Tätningsplatta	Seal plate	
19	3	1811-3162-01	Nit	Rivet	
20	2	9897-0816-16	Skruv	Screw	
21	3	1811-3079-01	Plastdämpare	Plastic pad	
22	1	1811-2991-01	Stift	Pin	
23	1	1811-3072-01	Reglagevajer	Control wire	
24	1	1811-2982-01	Utkastskydd	Chute cap	
25	1	1811-3078-01	Snöborttagingsverktyg	Snow removal tool	
26	1	1811-2992-01	Utkastskydd	Chute cap	
27	2	1811-3133-01	Snabbmutter	Push nut	
28	1	1811-3075-01	Mutter	Nut	
29	1	1811-2994-01	Hylsa	Pad	
30	1	1811-3045-01	Damask	Hollow worm	
31	1	1811-2995-01	Axel	Shaft	
32	1	1811-2997-01	Anslutningsstag, undre	Connect rod, under	
33	1	1811-3156-01	Spännstift	Locating pin	
34	1	1811-2993-01	Aluminiumfäste	Aluminum bracket	
35	6	9695-0001-01	Bricka	Washer	
36	3	1811-3077-01	Fixeringsfäste	Fixed block	
37	6	1811-3163-01	Låspinne	Locking pin	
38	2	1811-3138-01	Rem	Belt	
39	1	9997-0816-16	Skruv	Screw	

code	pos.	q.ty	page
9699-0056-02	10	6	p. 11
9699-0056-02	14	1	p. 17
9699-0109-01	49	1	p. 3
9739-0831-22	1	9	p. 17
9739-0831-22	15	10	p. 11
9739-0831-22	24	1	p. 13
9739-1031-22	19	1	p. 3
9739-1031-22	26	2	p. 11
9747-0631-01	63	1	p. 9
9747-0631-02	5	7	p. 11
9747-0631-02	7	1	p. 13
9747-0631-02	29	5	p. 3
9747-0831-02	3	16	p. 3
9747-0831-02	28	6	p. 7
9747-0831-02	41	4	p. 7
9747-0831-02	53	2	p. 15
9747-1031-02	16	1	p. 7
9799-1031-02	16	2	p. 13
9897-0530-12	12	2	p. 13
9897-0615-16	4	6	p. 11
9897-0816-16	20	2	p. 17
9897-0818-16	6	8	p. 3
9897-0820-16	5	8	p. 3
9897-0840-12	5	4	p. 13
9897-0840-16	41	1	p. 3
9898-0530-16	11	2	p. 13
9898-0612-16	51	2	p. 15
9898-0812-02	23	1	p. 13
9898-0812-16	49	6	p. 13
9898-0860-12	29	1	p. 13
9997-0530-16	10	2	p. 13
9997-0612-16	10	5	p. 17
9997-0612-16	20	16	p. 7
9997-0625-01	28	7	p. 3
9997-0625-16	14	2	p. 3
9997-0630-16	61	1	p. 9
9997-0635-16	65	1	p. 9
9997-0810-12	74	2	p. 9
9997-0815-16	21	5	p. 7
9997-0816-16	12	10	p. 11
9997-0816-16	26	4	p. 7
9997-0816-16	39	1	p. 17
9997-0820-16	10	6	p. 3
9997-0820-16	27	1	p. 7
9997-0820-16	28	2	p. 11
9997-0835-16	35	1	p. 7
9997-0835-16	36	2	p. 3
9997-0835-16	43	4	p. 7
9997-0845-16	34	1	p. 7
9997-1025-16	51	1	p. 5
9997-1040-16	18	2	p. 11
9997-1045-01	56	2	p. 9
112819110/0	8	4	p. 17