



Reservdelskatalog Parts Catalogue

ST 5266 PB

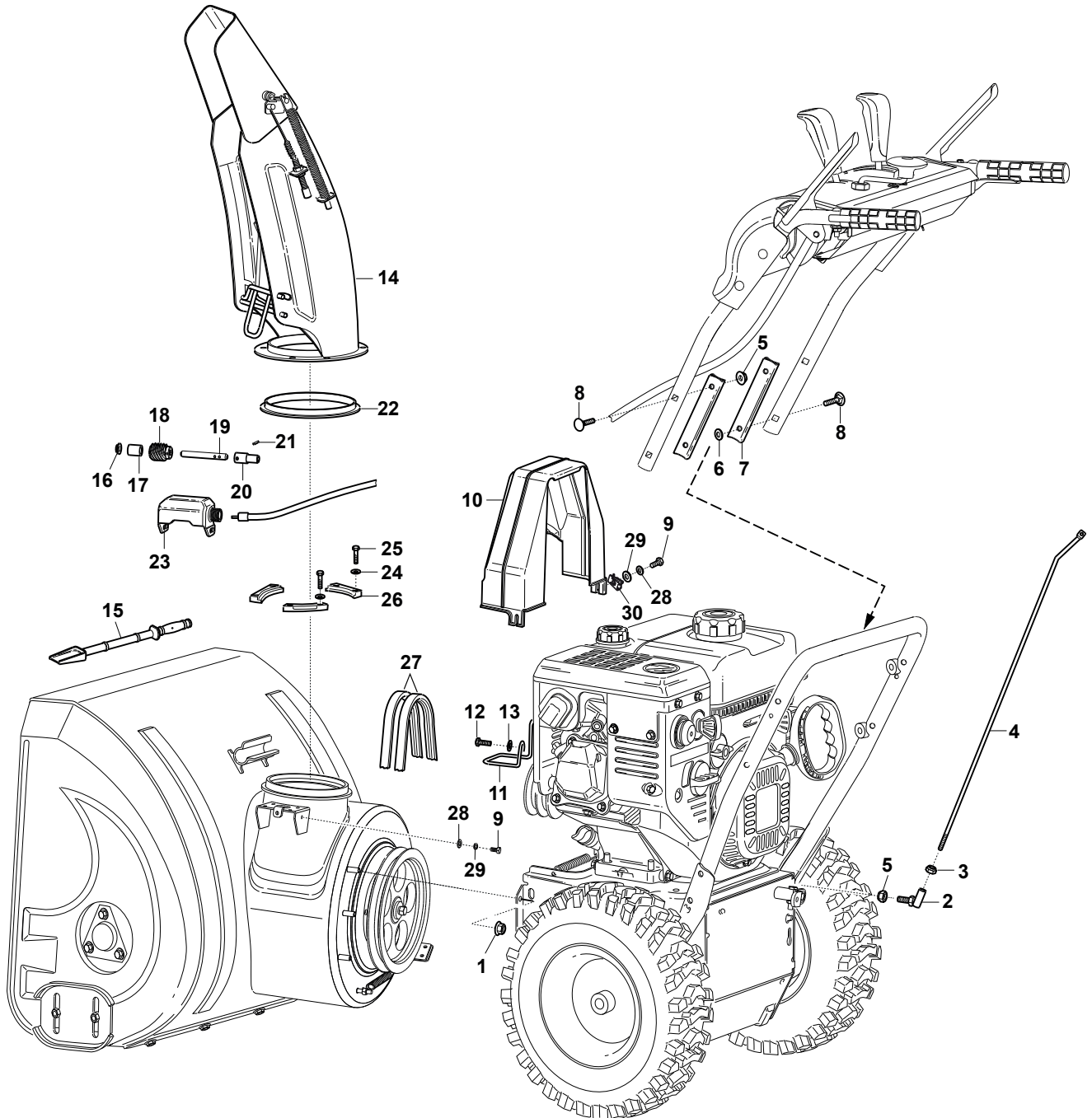
18-2873-31 - Season 2018

- Use STIGA S.p.A. Genuine Spare Parts specified in the parts list for repair and/or replacement.
 - The contents described in the parts list may change due to improvement.
 - The drawings of the spare parts are only indicative and might not represent the part in question exactly.
 - The indications "right" - "left" - "front" - "rear" refer to the position of the operator when using the machine.
- When placing orders of parts for repair and/or replacement, make sure that the illustrated parts list is the one applying to the machine's year of manufacture, as shown on the identification plate attached to the machine.

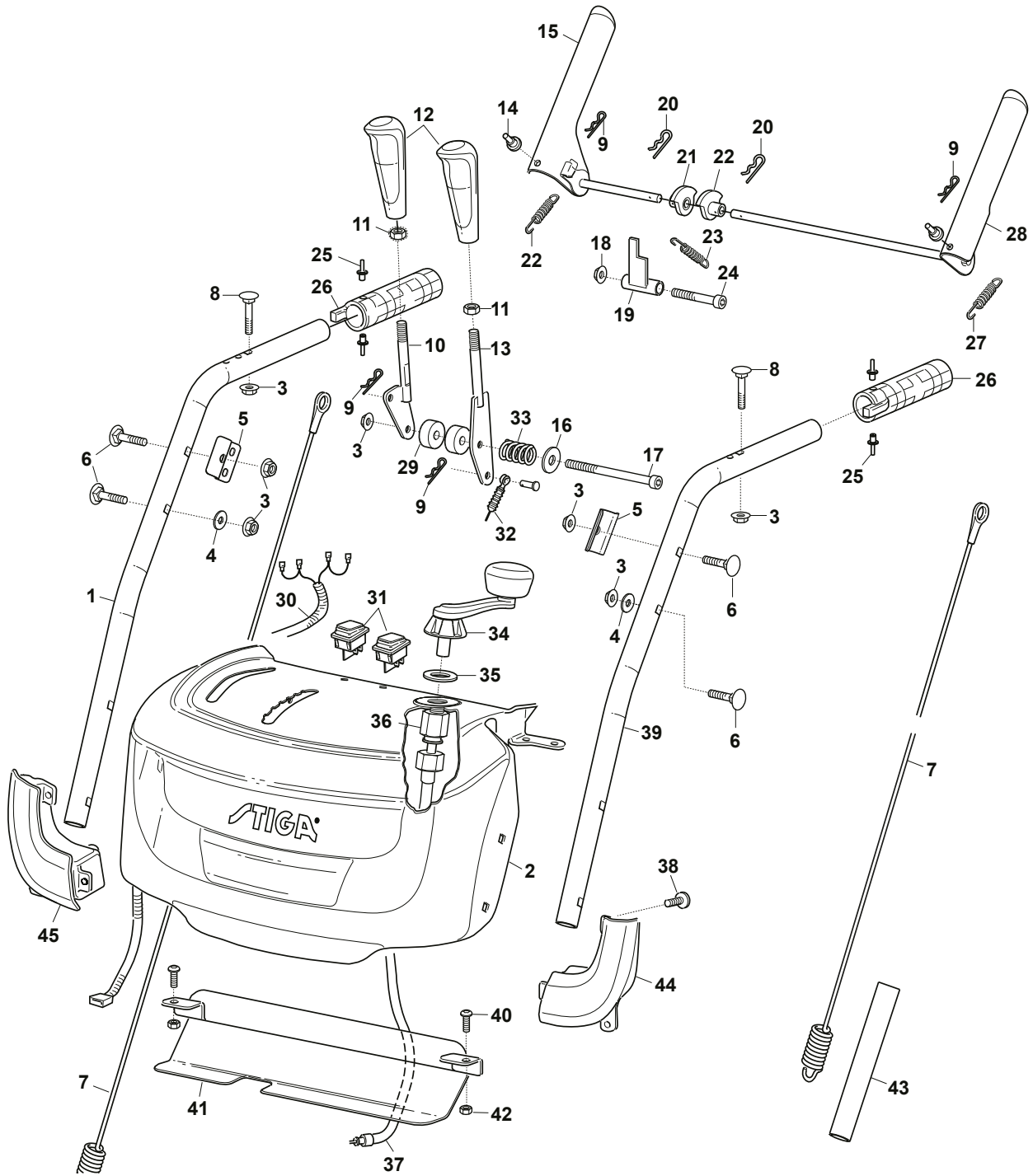
© Copyright 2018 STIGA S.p.A.

All rights reserved. No part of this material may be reproduced or transmitted, in any form or by any means, electronic or mechanical, including photocopying, recording or by any information storage and retrieval system, without permission in writing from STIGA S.p.A.

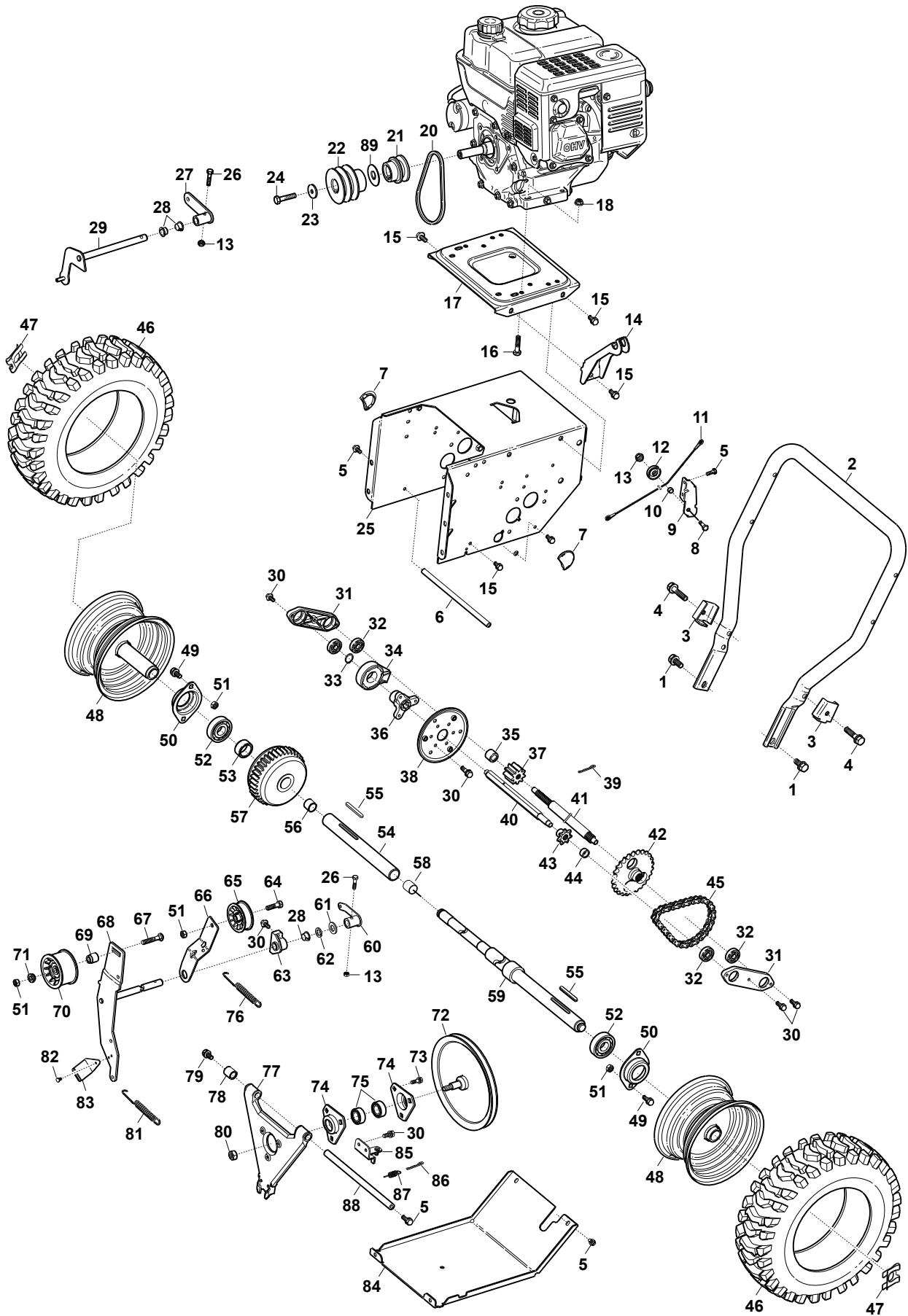
www.stiga.com



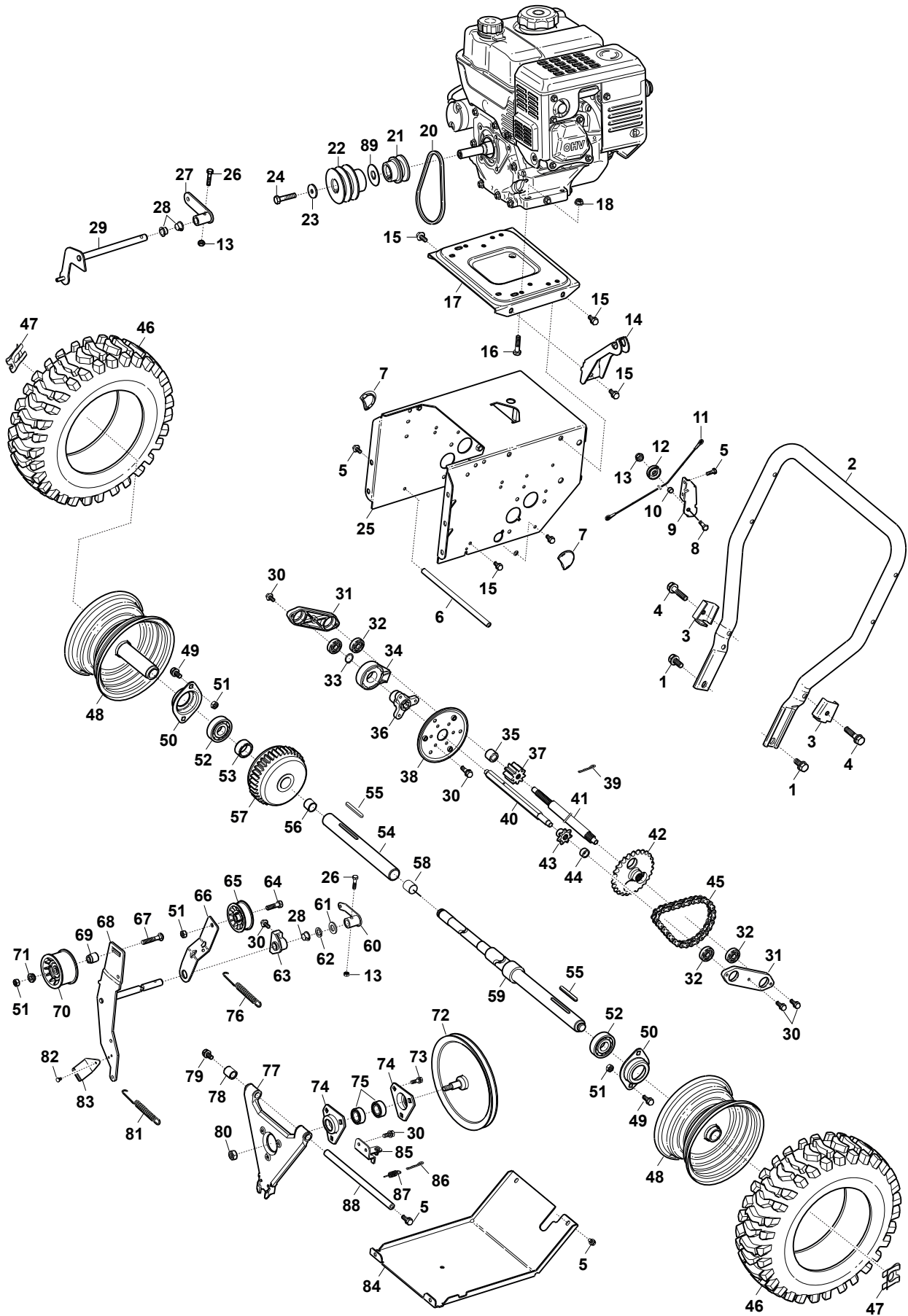
Utgåva Issue 37 - 2017		Kaross Body			
Pos. Fig.	Antal Q.ty	Art nr Part No	Benämning	Description	Anmärkning Notes
1	8	112155000/0	Mutter	Nut	
2	1	1811-3074-01	Vinkellänk	Elbow link	
3	1	112293202/0	Mutter	Nut	
4	1	118820274/0	Gear Bar	Gear Bar	
5	4	112155000/0	Mutter	Nut	
6	4	122671651/0	Bricka	Washer	
7	2	118820612/0	Armrest pads	Armrest pads	
8	4	112691700/0	Skruv	Screw	
9	4	2132110	Skruv	Screw	
10	1	118820275/1	Remskydd	Belt Cover	
11	1	1811-3131-01	Belt Rod	Belt Rod	
12	1	9997-0820-16	Skruv	Screw	
13	1	9699-0090-02	Bricka	Washer	
14	1	118820276/1	chute assembly	Chute Assembly	
15	1	1811-3078-01	Snöborttagingsverktyg	Snow removal tool	
16	1	1811-3075-01	Mutter	Nut	
17	1	1811-2994-01	Hylsa	Pad	
18	1	118820277/0	Drive Gear	Hollow Worm	
19	1	1811-2995-01	Axel	Shaft	
20	1	1811-2997-01	Anslutningsstag, undre	Connect rod, under	
21	1	118820773/0	Stift	Pin	
22	1	1811-2996-01	Bricka	Washer	
23	1	1811-2993-01	Aluminiumfäste	Aluminum bracket	
24	6	112530060/0	Fjäderbricka	Spring Washer	
25	6	112727802/0	Skruv	Screw	
26	3	1811-3077-01	Fixeringsfäste	Fixed block	
27	2	118820075/0	Remskiva	Belt	
28	4	112521330/0	Bricka	Washer	
30	4	118820881/0	Bricka	Washer	



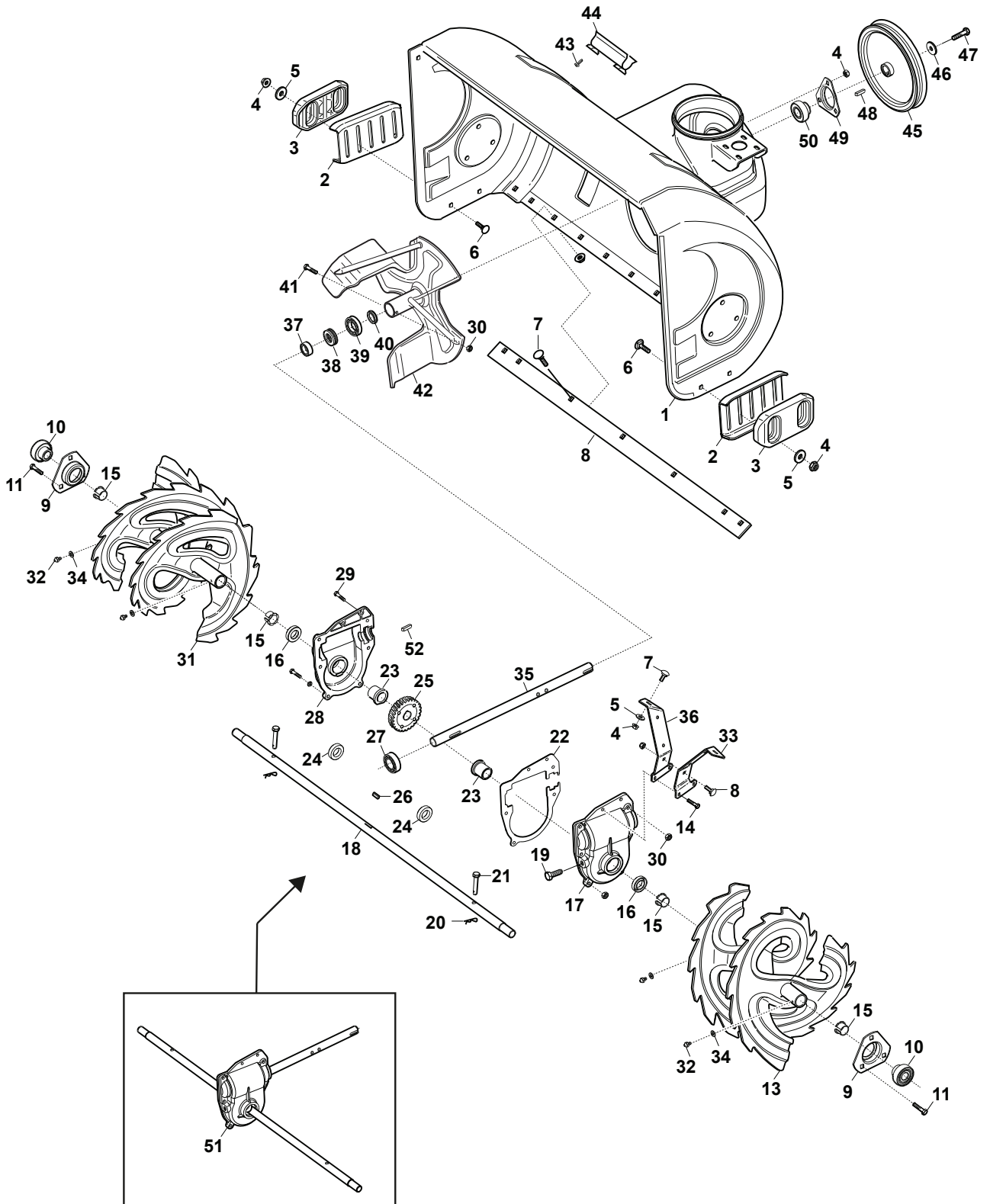
Utgåva Issue 37 - 2017		Reglage		Handle	
Pos. Fig.	Antal Q.ty	Art nr Part No	Benämning	Description	Anmärkning Notes
1	2	118820613/0	Handtag, Ho	Right Handle	
2	1	118820614/0	Instrumentbräda	Crusotto	
3	7	112154210/0	Mutter	Nut	
4	2	122671651/0	Bricka	Washer	
5	2	118820279/0	Cable Bracket	Cable Bracket	
6	4	112819100/0	Skruv	Screw	
7	2	118820280/0	Kopplingswire	Clutch Cable	
8	2	112818900/0	Skruv	Screw	
9	4	118820348/0	Stift	Pin	
10	1	1811-3025-01	Växelhandtag	Gear Handle Bar	
11	2	112295200/0	Mutter	Nut	
12	2	118820282/0	Handlebar sponge grip	Gear Handle	
13	1	1811-3027-01	Spak	Deflector Handle Lever	
14	2	1811-3070-01	Gummibussning	Rubber pad	
15	1	118820283/0	Handtag, Ho	Right Lever	
16	1	9699-0056-02	Bricka	Washer	
17	1	9897-0813-02	Skruv	Screw	
18	1	112155000/0	Mutter	Nut	
19	1	1811-3068-01	Stop	Stopper	
20	2	1811-3073-01	Låspinne	Locking pin	
21	1	118820284/0	Right Cam	Right Cam	
22	1	118820285/0	Left Cam	Left Cam	
23	1	1811-3067-01	Fjäder	Spring	
24	1	112819201/0	Skruv	Screw	
25	2	118820363/0	Nit	Rivet	
26	2	118820776/0	Knopp	Knob	
27	2	1811-3071-01	Fjäder	Spring	
28	1	118820286/0	Handtag, Va	Left Lever	
29	2	1811-3048-01	Bussning	Bushing	
30	1	1811-3030-01	Kablage	Harness	
31	2	118820617/0	Brytare	Switch	
32	1	118820828/0	Reglagewire-utkast	Deflector Control Cable	
33	1	1811-3066-01	Fjäder	Spring	
34	1	118820619/0	Rotating handle	Rotating handle	
35	1	118820620/0	Rubber pad	Rubber pad	
36	1	1811-3037-01	Lower fixing seat	Lower fixing seat	
37	1	118820290/0	Drivaxel	Flexible Shaft	
38	6	112791400/0	Skruv	Screw	
39	1	118820621/0	Handtag, Va	Left Handle	
40	2	2132110	Skruv	Screw	
41	1	118820291/0	Front-Övre	Cover	
42	2	112154510/0	Mutter	Nut	
43	2	118820003/0	Sleeve	Sleeve	
44	1	1811-3040-01	LED ljus, vä	LED light,LH	
45	1	1811-3041-01	LED ljus, hö	LED light,RH	
46	1	1811-3073-01	Låspinne	Locking pin	



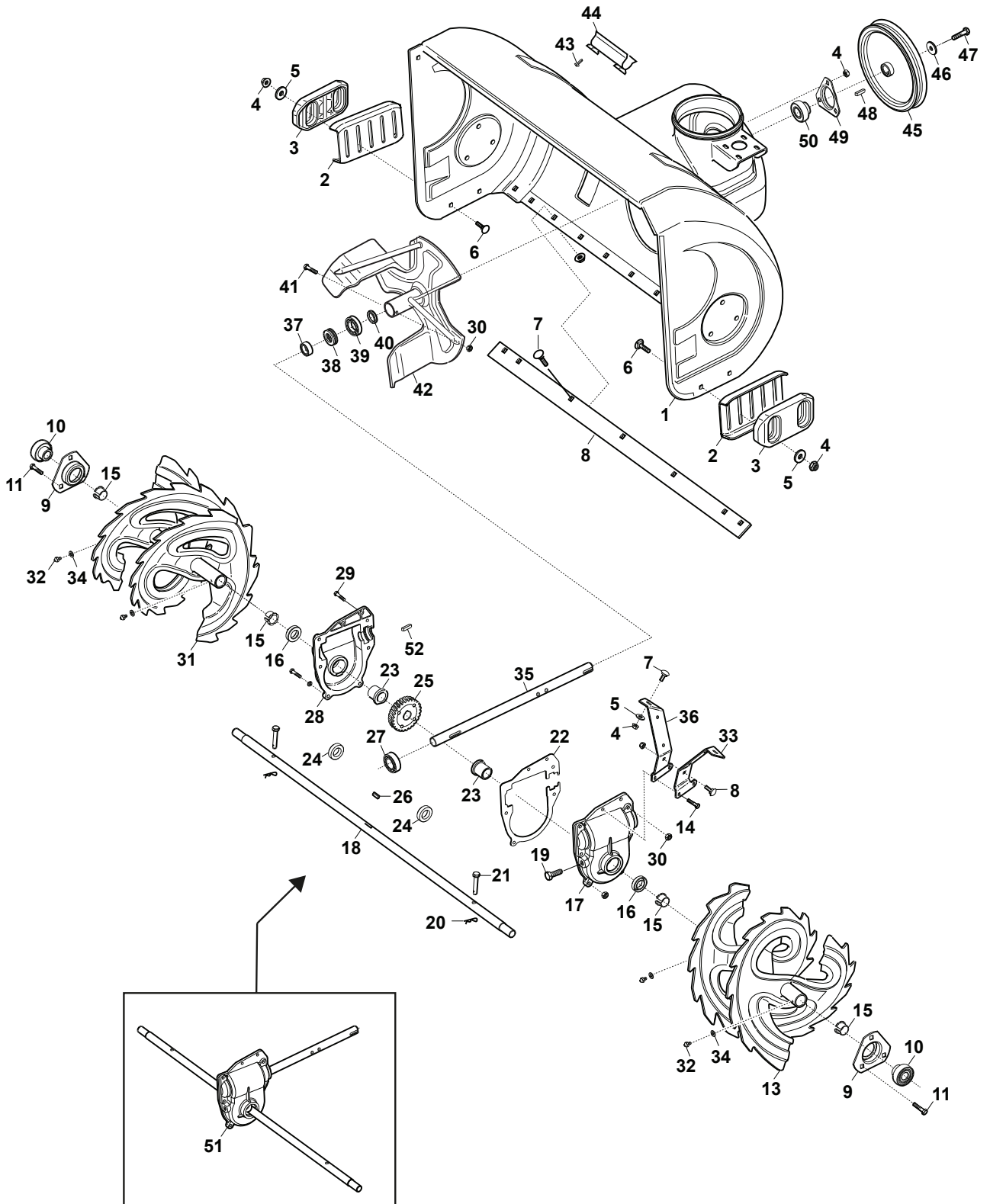
Utgåva Issue 37 - 2017		Transmission			
Pos. Fig.	Antal Q.ty	Art nr Part No	Benämning	Description	Anmärkning Notes
1	2	9997-1025-16	Skruv	Screw	
2	1	118820293/0	Handtag	Handle, Lower	
3	2	118820294/0	Fäste	Bracket	
4	2	112794900/0	Skruv	Screw	
5	14	9997-0612-16	Skruv	Screw	
6	2	118820295/0	Växeljusterings	Strut	
7	1	118820296/0	Front-Övre	Cover	
8	1	112791400/0	Skruv	Screw	
9	1	118820298/0	Hylsa	Sleeve	
10	1	118820094/0	Pulley Seat	Pulley Seat	
11	1	118820299/0	Kabel	Wire	
12	1	118820300/0	Remskiva	Pulley	
13	3	112154510/0	Mutter	Nut	
14	1	118820301/0	Connecting Plate	Connecting Plate	
15	4	112793102/0	Skruv	Screw	
16	4	112691100/0	Skruv	Screw	
17	1	118820302/0	Engine Fixing Plate	Engine Fixing Plate	
18	4	112154210/0	Mutter	Nut	
20	1	118820303/0	Kilrem	Belt	
21	1	118820101/0	Remskiva	Drive Pulley	
22	1	118820779/0	Remskiva	Drive Wheel	
23	1	9699-0056-02	Bricka	Washer	
24	1	118820775/0	Skruv	Screw	
25	1	118820633/0	Transmissionshus	Transmission Housing	
26	2	112791400/0	Skruv	Screw	
27	1	1811-3012-01	Växelkoppling	Gear connector	
28	3	1811-3113-01	Plastbussning	Plastic bushing	
29	1	118820308/0	Stäg	Strut	
30	13	112791200/1	Skruv	Screw	
31	2	118820309/0	Lagersäte	Bearing Housing	
32	4	118820310/0	Kullager	Ball Bearing	
33	1	112609800/0	Segersäkkring D.25	Seeger	
34	1	118820312/0	Skiftlager	Shift bearing	
35	1	118820313/0	Distans	Spacer	
36	1	118820634/0	Rubber wheel seat	Rubber wheel seat	
37	1	118820315/0	Drive Gear	Gear	
38	1	118820635/0	Gummihjul	Rubber Wheel	
39	1	1811-3080-01	Låspinne	Cotter Pin	
40	1	118820319/0	Axel	Hexagon Shaft	
41	1	118820320/0	Axel	Transit shaft	
42	1	118820118/0	Kuggjul	Chain Wheel	
43	1	118820322/0	Kuggjul	Sprocket	
44	1	118820323/0	Kil	Spacer	
45	1	118820119/0	Kedja	Chain	
46	1	118820177/0	Däck	Tyre	16X4.80-8
47	2	118820178/0	Hållare	Clip	
48	2	118820179/0	Narrow Rim	Narrow Rim	
49	4	112792611/0	Skruv	Screw	
50	2	1811-3115-01	Lagerhus	Bearing Housing	



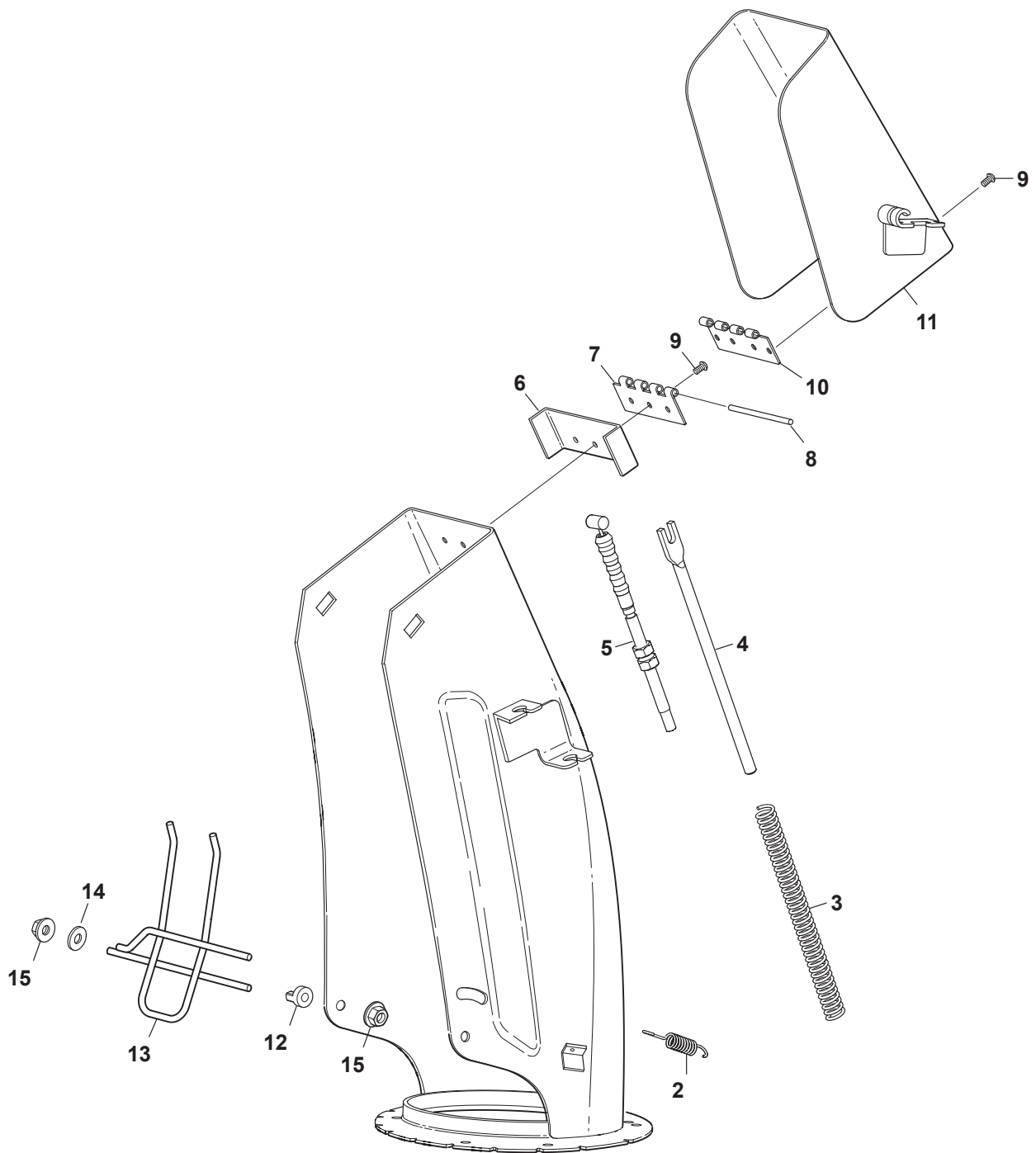
Utgåva Issue 37 - 2017		Transmission		Transmission	
Pos. Fig.	Antal Q.ty	Art nr Part No	Benämning	Description	Anmärkning Notes
51	6	112155000/0	Mutter	Nut	
52	2	118820180/0	Kullager	Ball Bearing	
53	1	118820325/0	Kil	Spacer	
54	1	118820182/0	Short Semi-Shaft	Short Semi-Shaft	
55	2	118820328/0	Kil	Flat Key	
56	1	118820329/0	Hylsa	Bronze Sleeve	
57	1	118820185/0	Differentiell	Differential	
58	1	118820332/0	Hylsa	Bronze Sleeve	
59	1	118820187/0	Stift	Shaft	
60	1	118820334/0	Spännare	Tensioner	
61	1	112521370/0	Bricka	Washer	
62	1	112530150/0	Fjäderbricka	Spring Washer	
63	1	118820336/0	Fixeringsblock	Fixing Block	
64	1	112793701/0	Skruv	Screw	
65	1	1811-3064-01	Spännrulle	Tension pulley	
66	1	118820337/0	Spännare	Tensioner	
67	1	112819105/0	Skruv	Screw	
68	1	118820338/0	Fäste	Bracket	
69	1	1811-3055-01	Bussning	Bushing	
70	1	1811-3057-01	Spännrulle	Tension pulley	
71	1	1811-3056-01	Fäste	Pad	
72	1	118820339/0	Remskiva	Pulley	
73	3	112791400/0	Skruv	Screw	
74	2	1811-3116-01	Lagerhus	Bearing Housing	
75	2	118820340/0	Kullager	Ball Bearing	
76	1	1811-3118-01	Fjäder	Spring	
77	1	118820341/0	Faste	Support	
78	1	118820342/0	Kil	Spacer	
79	2	118820135/0	Skruv	Screw	
80	1	112156603/0	Mutter	Nut	
81	1	118820343/0	Bromsfjäder	Brake Spring	
82	2	118820344/0	Nit	Rivet	
83	1	118820345/0	Brake block	Brake block	
84	1	118820638/0	Undre Plat	Bottom Plate	
85	1	118820347/0	Fäste	Staffa	
86	1	118820348/0	Stift	Pin	
87	1	118820349/0	Fjäder	Spring	
88	1	1811-3125-01	Stag	Strut	
89	1	118820262/0	Connector	Gears connector	



Utgåva Issue 37 - 2017		Kapa Housing			
Pos. Fig.	Antal Q.ty	Art nr Part No	Benämning	Description	Anmärkning Notes
1	1	1811-2987-01	Inmatningshus	Auger Housing	
2	2	118820623/0	Skid Shoe	Skid Shoe	
3	2	118820624/0	Skid Shoe	Skid Shoe	
4	16	9747-0831-02	Mutter Loc-King	Lock Nut	
5	6	9699-0056-02	Bricka	Washer	
6	4	112818700/0	Skruv	Screw	
7	9	112818690/0	Skruv	Screw	
8	1	1811-2988-01	Skrapskär	Scraper Blade	
9	2	118820639/0	Bearing cover	Bearing cover	
10	2	118820147/0	Bearing	Bearing	
11	6	112792611/0	Skruv	Screw	
13	1	1811-2983-01	Snöskruv-vä	Auger	
14	2	9997-0625-16	Skruv	Screw	
15	4	118820237/0	Hylsa	Sleeve	
16	2	1811-3143-01	Tätning	Sealing	
17	1	1811-3106-01	Snäckväxelhus-Ho	Right worm housing	
18	1	1811-2989-01	Utgående	Axel Output Shaft	
19	1	118820128/0	Skruv	Screw	
20	2	1811-3080-01	Låspinne	Cotter Pin	
21	2	118820625/0	Brytbult	Shear Bolt	
22	1	1811-3107-01	Packning	Sealing	
23	2	118820241/0	Hylsa	Sleeve	
24	1	118820626/0	Bricka	Washer	
25	1	1811-3108-01	Snäckväxel	Worm gear	
26	1	1811-3144-01	Kil	Key	
27	1	118820153/0	Kullager	Ball Bearing	
28	1	118820154/0	Left Worm Housing	Left Worm Housing	
29	7	112674550/0	Skruv	Screw	6X30
30	4	9747-0631-02	Mutter Loc-King	Lock Nut	
31	1	1811-2984-01	Snöskruv-hö	Auger-RH	
32	4	118820156/0	Oil Cup	Oil Cup	
33	1	118820627/0	Stöd-Hö	Right Support	
34	4	112521330/0	Bricka	Washer	
35	1	1811-3101-01	Axel	Worm shaft	
36	1	118820628/0	Stöd-Vä	Left Support	
37	1	118820157/0	Kullager	Ball Bearing	
38	1	1811-3109-01	Axelbusning	Shaft sleeve	
39	1	118820158/0	Kullager	Ball Bearing	
40	1	118820629/0	Tätning	Seal Ring	
41	2	9997-0835-16	Skruv	Screw	
42	1	118820630/0	Fläkt	Fan	
43	2	1811-3148-01	Skruv	Screw	
44	1	118820250/0	Faste	Support	
45	1	118820717/0	Remskiva	Big pulley	
46	1	9699-0109-02	Bricka	Washer	
47	1	9997-1025-16	Skruv	Screw	
48	1	118820252/0	Kil	Key	6x20
49	1	118820251/0	Round bottom	Round bottom	
50	1	118820292/0	Hylsa	Sleeve	



Utgåva Issue 37 - 2017		Kapa Housing			
Pos. Fig.	Antal Q.ty	Art nr Part No	Benämning	Description	Anmärkning Notes
51	1	118820819/0	Snäckväxel kpl	Gear Box Assy	
52	1	118820876/0	Cylinderstift	Cylinder Pin	6x14



Utgåva Issue 37 - 2017		Chute			
Pos. Fig.	Antal Q.ty	Art nr Part No	Benämning	Description	Anmärkning Notes
2	1	1811-3071-01	Fjäder	Spring	
3	1	118820357/0	Fjäder	Spring	
4	1	118820358/0	Stag	Strut	
5	1	118820828/0	Reglagewire-utkast	Deflector Control Cable	
6	1	118820360/0	Sealing pad	Sealing pad	
7	1	118820361/0	Platta	Plate	
8	1	118820362/0	Stift	Pin	
9	7	118820363/0	Nit	Rivet	
10	1	118820364/0	Platta	Plate	
11	1	118820365/0	Deflektor	Deflector	
12	1	118820366/0	Bricka	Washer	
13	1	118820367/0	Säkerhetsbarriär	Safety barrier	
14	1	1811-3079-01	Plastdämpare	Plastic pad	
15	2	1811-3133-01	Snabbmutter	Push nut	



Utgåva Issue 37 - 2017		Dekal Etichette			
Pos. Fig.	Antal Q.ty	Art nr Part No	Benämning	Description	Anmärkning Notes
1	1	114369167/0	Dekal	Label	
2	1	114367495/1	Dekal	Label	
3	1	114369171/0	Dekal	Label	
4	1	114369146/0	Dekal	Label	
5	1	114369122/0	Dekal ST 5266 PB	Label ST 5266 PB	For ST 5266 PB
6	1	114369761/0	Panel Safety Label	Panel Safety Label	

code	pos.	q.ty	page										
1811-2983-01	13	1	p. 11	2132110	9	4	p. 3	118820241/0	23	2	p. 11		
1811-2984-01	31	1	p. 11	2132110	40	2	p. 5	118820250/0	44	1	p. 11		
1811-2987-01	1	1	p. 11	112154210/0	3	7	p. 5	118820251/0	49	1	p. 11		
1811-2988-01	8	1	p. 11	112154210/0	18	4	p. 7	118820252/0	48	1	p. 11		
1811-2989-01	18	1	p. 11	112154510/0	13	3	p. 7	118820262/0	89	1	p. 9		
1811-2993-01	23	1	p. 3	112154510/0	42	2	p. 5	118820274/0	4	1	p. 3		
1811-2994-01	17	1	p. 3	112155000/0	1	8	p. 3	118820275/1	10	1	p. 3		
1811-2995-01	19	1	p. 3	112155000/0	5	4	p. 3	118820276/1	14	1	p. 3		
1811-2996-01	22	1	p. 3	112155000/0	18	1	p. 5	118820277/0	18	1	p. 3		
1811-2997-01	20	1	p. 3	112155000/0	51	6	p. 9	118820279/0	5	2	p. 5		
1811-3012-01	27	1	p. 7	112156603/0	80	1	p. 9	118820280/0	7	2	p. 5		
1811-3025-01	10	1	p. 5	112293202/0	3	1	p. 3	118820282/0	12	2	p. 5		
1811-3027-01	13	1	p. 5	112295200/0	11	2	p. 5	118820283/0	15	1	p. 5		
1811-3030-01	30	1	p. 5	112521330/0	28	4	p. 3	118820284/0	21	1	p. 5		
1811-3037-01	36	1	p. 5	112521330/0	34	4	p. 11	118820285/0	22	1	p. 5		
1811-3040-01	44	1	p. 5	112521370/0	61	1	p. 9	118820286/0	28	1	p. 5		
1811-3041-01	45	1	p. 5	112530060/0	24	6	p. 3	118820290/0	37	1	p. 5		
1811-3048-01	29	2	p. 5	112530150/0	62	1	p. 9	118820291/0	41	1	p. 5		
1811-3055-01	69	1	p. 9	112609800/0	33	1	p. 7	118820292/0	50	1	p. 11		
1811-3056-01	71	1	p. 9	112674550/0	29	7	p. 11	118820293/0	2	1	p. 7		
1811-3057-01	70	1	p. 9	112691100/0	16	4	p. 7	118820294/0	3	2	p. 7		
1811-3064-01	65	1	p. 9	112691700/0	8	4	p. 3	118820295/0	6	2	p. 7		
1811-3066-01	33	1	p. 5	112727802/0	25	6	p. 3	118820296/0	7	1	p. 7		
1811-3067-01	23	1	p. 5	112791200/1	30	13	p. 7	118820298/0	9	1	p. 7		
1811-3068-01	19	1	p. 5	112791400/0	8	1	p. 7	118820299/0	11	1	p. 7		
1811-3070-01	14	2	p. 5	112791400/0	26	2	p. 7	118820300/0	12	1	p. 7		
1811-3071-01	2	1	p. 15	112791400/0	38	6	p. 5	118820301/0	14	1	p. 7		
1811-3071-01	27	2	p. 5	112791400/0	73	3	p. 9	118820302/0	17	1	p. 7		
1811-3073-01	20	2	p. 5	112792611/0	11	6	p. 11	118820303/0	20	1	p. 7		
1811-3073-01	46	1	p. 5	112792611/0	49	4	p. 7	118820308/0	29	1	p. 7		
1811-3074-01	2	1	p. 3	112793102/0	15	4	p. 7	118820309/0	31	2	p. 7		
1811-3075-01	16	1	p. 3	112793701/0	64	1	p. 9	118820310/0	32	4	p. 7		
1811-3077-01	26	3	p. 3	112794900/0	4	2	p. 7	118820312/0	34	1	p. 7		
1811-3078-01	15	1	p. 3	112818690/0	7	9	p. 11	118820313/0	35	1	p. 7		
1811-3079-01	14	1	p. 15	112818700/0	6	4	p. 11	118820315/0	37	1	p. 7		
1811-3080-01	20	2	p. 11	112818900/0	8	2	p. 5	118820319/0	40	1	p. 7		
1811-3080-01	39	1	p. 7	112819100/0	6	4	p. 5	118820320/0	41	1	p. 7		
1811-3101-01	35	1	p. 11	112819105/0	67	1	p. 9	118820322/0	43	1	p. 7		
1811-3106-01	17	1	p. 11	112819201/0	24	1	p. 5	118820323/0	44	1	p. 7		
1811-3107-01	22	1	p. 11	114367495/1	2	1	p. 17	118820325/0	53	1	p. 9		
1811-3108-01	25	1	p. 11	114369122/0	5	1	p. 17	118820328/0	55	2	p. 9		
1811-3109-01	38	1	p. 11	114369146/0	4	1	p. 17	118820329/0	56	1	p. 9		
1811-3113-01	28	3	p. 7	114369167/0	1	1	p. 17	118820332/0	58	1	p. 9		
1811-3115-01	50	2	p. 7	114369171/0	3	1	p. 17	118820334/0	60	1	p. 9		
1811-3116-01	74	2	p. 9	114369761/0	6	1	p. 17	118820336/0	63	1	p. 9		
1811-3118-01	76	1	p. 9	118820003/0	43	2	p. 5	118820337/0	66	1	p. 9		
1811-3125-01	88	1	p. 9	118820075/0	27	2	p. 3	118820338/0	68	1	p. 9		
1811-3131-01	11	1	p. 3	118820094/0	10	1	p. 7	118820339/0	72	1	p. 9		
1811-3133-01	15	2	p. 15	118820101/0	21	1	p. 7	118820340/0	75	2	p. 9		
1811-3143-01	16	2	p. 11	118820118/0	42	1	p. 7	118820341/0	77	1	p. 9		
1811-3144-01	26	1	p. 11	118820119/0	45	1	p. 7	118820342/0	78	1	p. 9		
1811-3148-01	43	2	p. 11	118820128/0	19	1	p. 11	118820343/0	81	1	p. 9		
9699-0056-02	5	6	p. 11	118820135/0	79	2	p. 9	118820344/0	82	2	p. 9		
9699-0056-02	16	1	p. 5	118820147/0	10	2	p. 11	118820345/0	83	1	p. 9		
9699-0056-02	23	1	p. 7	118820153/0	27	1	p. 11	118820347/0	85	1	p. 9		
9699-0090-02	13	1	p. 3	118820154/0	28	1	p. 11	118820348/0	9	4	p. 5		
9699-0109-02	46	1	p. 11	118820156/0	32	4	p. 11	118820348/0	86	1	p. 9		
9747-0631-02	30	4	p. 11	118820157/0	37	1	p. 11	118820349/0	87	1	p. 9		
9747-0831-02	4	16	p. 11	118820158/0	39	1	p. 11	118820357/0	3	1	p. 15		
9897-0813-02	17	1	p. 5	118820177/0	46	1	p. 7	118820358/0	4	1	p. 15		
9997-0612-16	5	14	p. 7	118820178/0	47	2	p. 7	118820360/0	6	1	p. 15		
9997-0625-16	14	2	p. 11	118820179/0	48	2	p. 7	118820361/0	7	1	p. 15		
9997-0820-16	12	1	p. 3	118820180/0	52	2	p. 9	118820362/0	8	1	p. 15		
9997-0835-16	41	2	p. 11	118820182/0	54	1	p. 9	118820363/0	9	7	p. 15		
9997-1025-16	1	2	p. 7	118820185/0	57	1	p. 9	118820363/0	25	2	p. 5		
9997-1025-16	47	1	p. 11	118820187/0	59	1	p. 9	118820364/0	10	1	p. 15		
				118820237/0	15	4	p. 11	118820365/0	11	1	p. 15		

code	pos.	q.ty	page
118820366/0	12	1	p. 15
118820367/0	13	1	p. 15
118820612/0	7	2	p. 3
118820613/0	1	2	p. 5
118820614/0	2	1	p. 5
118820617/0	31	2	p. 5
118820619/0	34	1	p. 5
118820620/0	35	1	p. 5
118820621/0	39	1	p. 5
118820623/0	2	2	p. 11
118820624/0	3	2	p. 11
118820625/0	21	2	p. 11
118820626/0	24	1	p. 11
118820627/0	33	1	p. 11
118820628/0	36	1	p. 11
118820629/0	40	1	p. 11
118820630/0	42	1	p. 11
118820633/0	25	1	p. 7
118820634/0	36	1	p. 7
118820635/0	38	1	p. 7
118820638/0	84	1	p. 9
118820639/0	9	2	p. 11
118820717/0	45	1	p. 11
118820773/0	21	1	p. 3
118820775/0	24	1	p. 7
118820776/0	26	2	p. 5
118820779/0	22	1	p. 7
118820819/0	51	1	p. 13
118820828/0	5	1	p. 15
118820828/0	32	1	p. 5
118820876/0	52	1	p. 13
118820881/0	30	4	p. 3
122671651/0	4	2	p. 5
122671651/0	6	4	p. 3