



Reservdelskatalog Parts Catalogue

ST 3262 PB

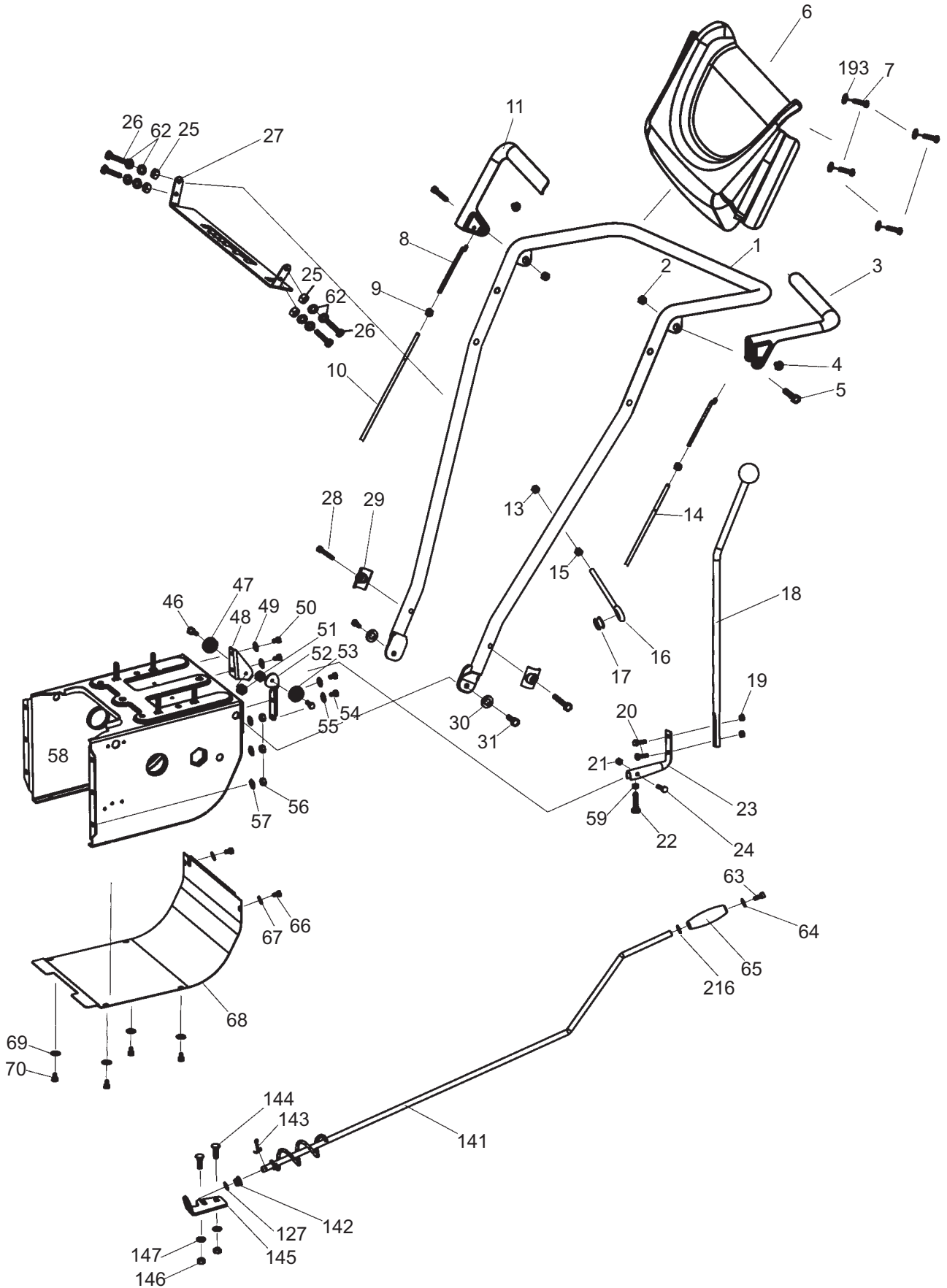
18-2871-12 - Season 2018

- Use STIGA S.p.A. Genuine Spare Parts specified in the parts list for repair and/or replacement.
 - The contents described in the parts list may change due to improvement.
 - The drawings of the spare parts are only indicative and might not represent the part in question exactly.
 - The indications "right" - "left" - "front" - "rear" refer to the position of the operator when using the machine.
- When placing orders of parts for repair and/or replacement, make sure that the illustrated parts list is the one applying to the machine's year of manufacture, as shown on the identification plate attached to the machine.

© Copyright 2018 STIGA S.p.A.

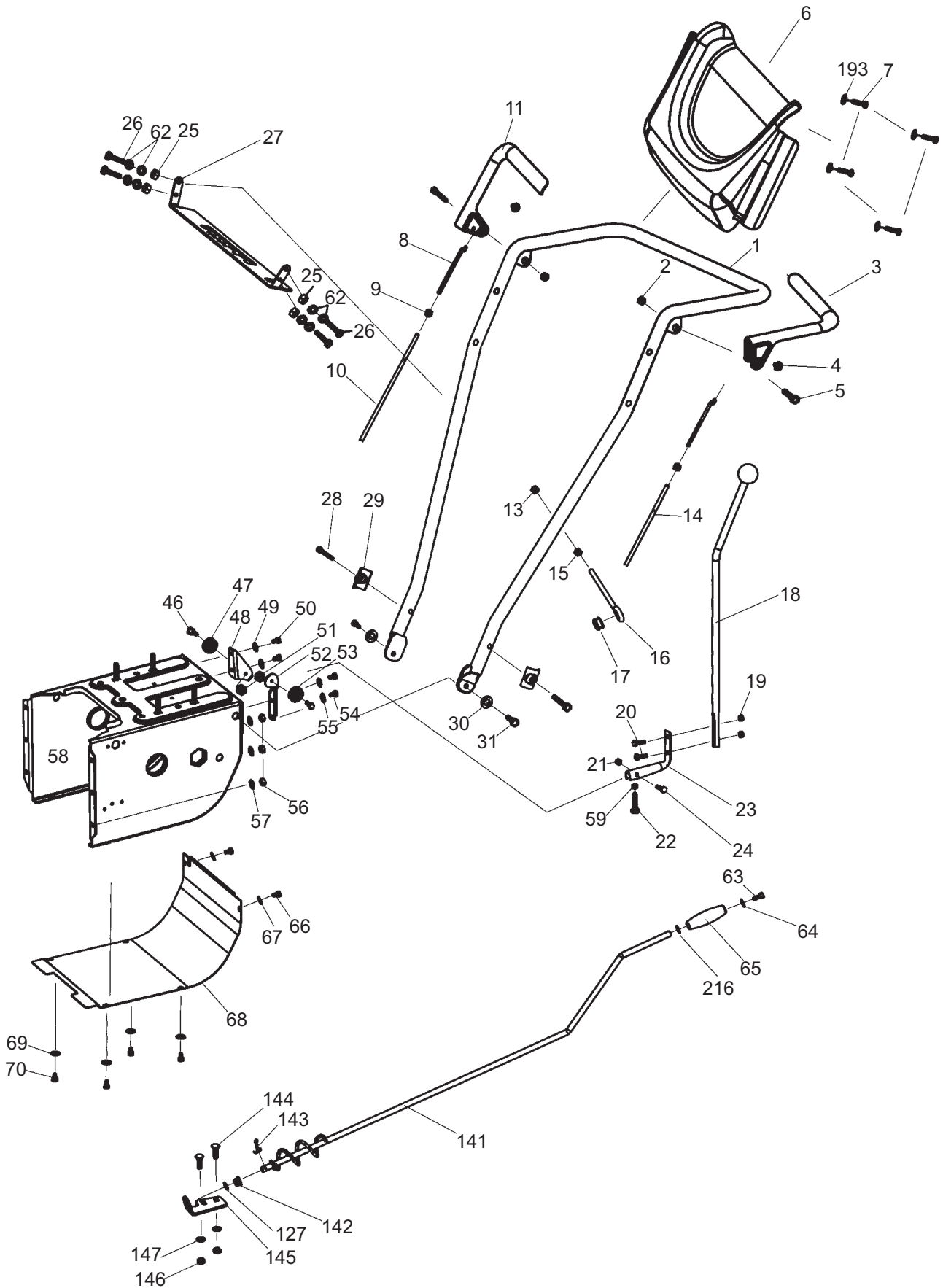
All rights reserved. No part of this material may be reproduced or transmitted, in any form or by any means, electronic or mechanical, including photocopying, recording or by any information storage and retrieval system, without permission in writing from STIGA S.p.A.

www.stiga.com



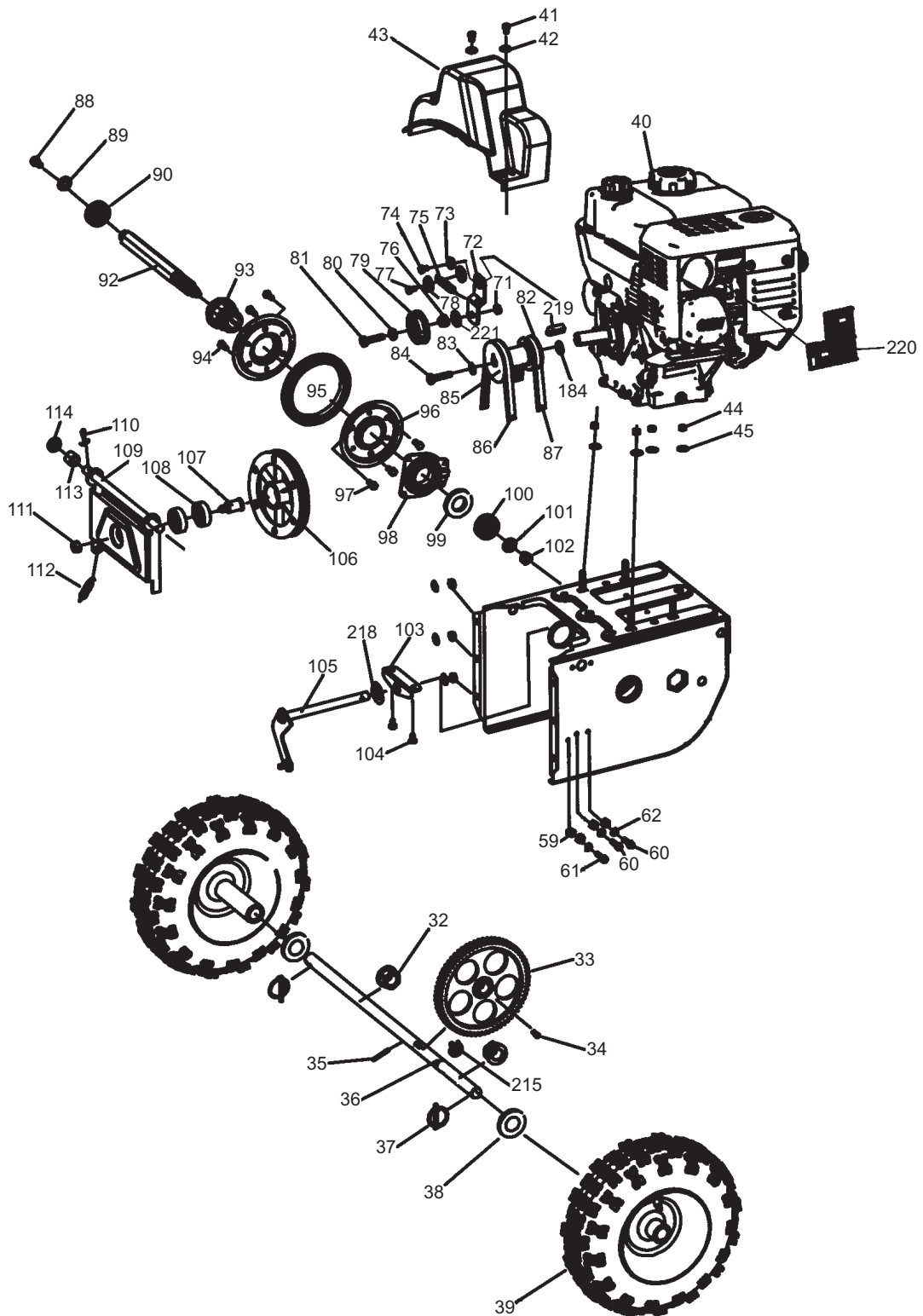
2171B

Utgåva Issue 37 - 2017		Styre, reglage		Handle, controls	
Pos. Fig.	Antal Q.ty	Art nr Part No	Benämning	Description	Anmärkning Notes
1	1	1811-2557-01	Styre	Handle	
2	2	9747-0831-02	Mutter Loc-King	Lock Nut	
3	1	1811-2567-01	Inkoppl.handtag-hö	Clutch Lever, Right	As seen from front
4	2	1811-2472-01	Gummiskydd	Rubber Cap	
5	2	9997-0845-12	Skruv	Screw	
6	1	1811-2570-01	Panel-gul	Yellow Dashboard	
6	1	1811-2570-02	Panel-vit	White Dashboard	
7	4	1811-2400-01	Skruv	Screw	
8	2	1811-2458-01	Justerstang	Adjustment Rod	
9	2	9799-0531-02	Mutter	Nut	
11	1	1811-2566-01	Inkoppl.handtag-vä	Clutch Lever, Left	As seen from front
13	1	9747-0831-02	Mutter Loc-King	Lock Nut	
15	1	9787-0831-32	Mutter	Nut	
16	1	1811-2468-01	Ögla	Eye Bolt	
17	1	1811-2469-01	Gummihylsa	Rubber Sleeve	
18	1	1811-2563-01	Växelspak	Gear Lever	
19	2	9739-0631-22	Mutter	Nut	
20	2	9997-0620-16	Skruv	Screw	
21	1	9739-0631-22	Mutter	Nut	
22	1	9997-0620-16	Skruv	Screw	
23	1	1811-2482-01	Växelarm	Gear Rod	
24	1	9997-0625-16	Skruv	Screw	
25	4	9747-0631-02	Mutter Loc-King	Lock Nut	
26	4	9997-0635-12	Skruv	Screw	
27	1	1811-2565-01	Växellägesplat	Gear select plate	
28	2	9997-0840-16	Skruv	Screw	
29	2	1811-2453-01	Bricka	Handle Washer	
30	2	9699-0062-02	Bricka	Washer	
31	2	9997-0820-16	Skruv	Screw	
46	2	1811-2476-01	Ansatsbult	Shoulder Bolt	
47	2	1811-2440-01	Wirerulle	Wire Pulley	
48	1	1811-2439-01	Fäste-gul	Bracket-Yellow	
49	2	9699-0025-02	Bricka	Washer	
50	2	9997-0612-16	Skruv	Screw	
51	2	9739-0631-22	Mutter	Nut	
52	1	1811-2437-01	Fäste-gul	Bracket-Yellow	
53	2	1811-2440-01	Wirerulle	Wire Pulley	
54	2	9997-0612-16	Skruv	Screw	
55	2	9699-0025-02	Bricka	Washer	
56	6	9747-0831-02	Mutter Loc-King	Lock Nut	
57	6	9699-0028-02	Bricka	Washer	
63	1	9997-0610-16	Skruv	Screw	
64	1	9699-0025-02	Bricka	Washer	
65	1	1811-2442-01	Handtag	Grip	
66	2	9997-0610-16	Skruv	Screw	
67	2	9699-0025-02	Bricka	Washer	
68	1	1811-2486-01	Bottenplat-gul	Bottom plate-yell	
69	4	9699-0025-02	Bricka	Washer	
70	4	9997-0610-16	Skruv	Screw	



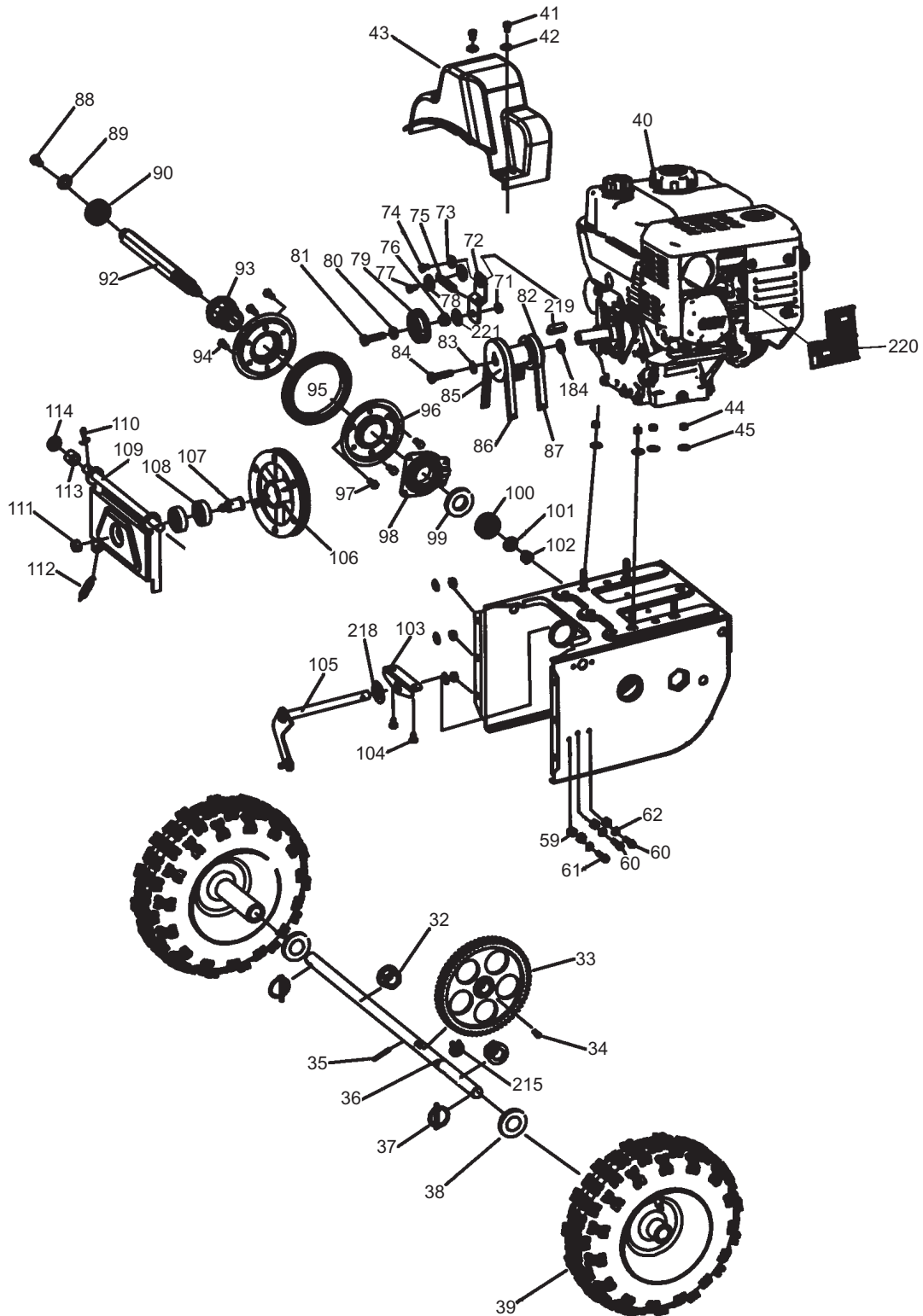
2171B

Utgåva Issue 37 - 2017		Styre, reglage Handle, controls			
Pos. Fig.	Antal Q.ty	Art nr Part No	Benämning	Description	Anmärkning Notes
141	1	1811-2467-01	Inställningsvev	Crank	
142	1	1811-2431-01	Bussning	Bushing	
143	1	9599-0054-02	SaxSprint	Split Pin	
144	2	9898-0820-16	Skruv	Screw	
145	1	1811-2430-01	Fäste-gul	Bracket-Yellow	
146	2	9747-0831-02	Mutter Loc-King	Lock Nut	
147	2	9699-0056-02	Bricka	Washer	
193	4	9699-0072-02	Bricka	Washer	
216	1	9699-0029-02	Bricka	Washer	



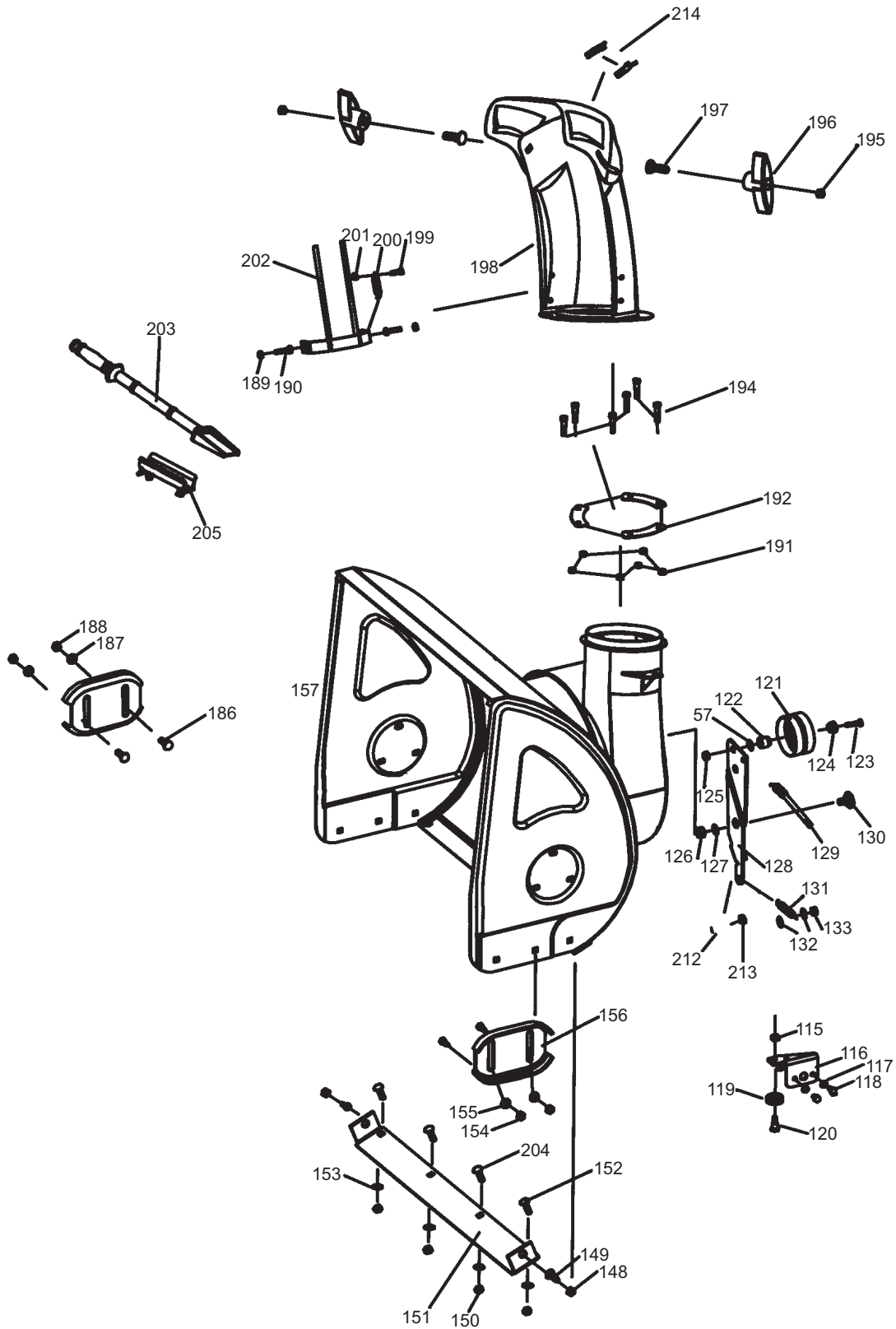
2172C

Utgåva Issue 37 - 2017		Motor, remmar		Engine, belts	
Pos. Fig.	Antal Q.ty	Art nr Part No	Benämning	Description	Anmärkning Notes
32	2	1811-2452-01	Hjulaxelbussning	Wheel Shaft	
33	1	1811-2421-01	Drev	Gear	
34	2	1811-2406-01	Kil	Key	
35	1	9595-0212-00	Spännstift	Locating Pin	
36	1	1811-2550-01	Hjulaxel	Wheel Shaft	
37	2	1811-2478-01	Fjäderpinne	Spring Pin	
38	2	1811-2407-01	Planbricka	Flat washer	
39	2	1811-2541-01	Hjul kpl	Wheel assy	15"
40	1	118550657/0	Motor kpl	Engine Lc170 (El.Start)	Electric starter
41	2	9997-0610-16	Skruv	Screw	
42	2	9699-0025-02	Bricka	Washer	
43	1	1811-2455-01	Remskydd	Belt Cover	
44	4	9747-0831-02	Mutter Loc-King	Lock Nut	
45	4	9699-0028-02	Bricka	Washer	
59	3	9747-0631-02	Mutter Loc-King	Lock Nut	
60	2	9997-0630-12	Skruv	Screw	L = 30 mm
61	1	9997-0620-16	Skruv	Screw	L = 20 mm
62	3	9699-0025-02	Bricka	Washer	
71	1	9747-0631-02	Mutter Loc-King	Lock Nut	
73	1	1811-2559-01	Bricka	Washer	
74	1	9997-0820-16	Skruv	Screw	
75	1	1811-2555-01	Fjäder	Spring	
76	1	1811-2575-01	Bricka	Washer	
77	1	9997-0812-16	Skruv	Screw	
78	2	9699-0028-02	Bricka	Washer	
79	1	1811-2593-01	Spännrulle kpl	Tension Pulley	
80	1	1811-2427-01	Bricka	Washer	
81	1	9997-0830-16	Skruv	Screw	
82	1	1811-2473-01	Remskiva	Belt Pulley	
83	1	1811-2542-01	Planbricka	Plain Cushion	
84	1	9987-5125-16	Skruv	Screw	
85	1	1811-2560-01	Remskiva	Main Pulley	
86	1	1811-2578-01	Drivrem	Belt	L = 885
87	1	1811-2410-01	Drivrem	Belt	
88	1	9997-0816-16	Skruv	Screw	
89	3	9699-0122-02	Bricka	Washer	
90	1	1811-2411-01	Lager	Bearing	
92	1	1811-2423-01	Sexkantsaxel	Hex Shaft	
93	1	1811-2435-01	Nav	Hub	
94	3	9997-0612-16	Skruv	Screw	
95	1	1811-2584-01	Friktionsring	Friction ring	
96	2	1811-2433-01	Friktionshjul	Friction Wheel	
97	3	9997-0612-16	Skruv	Screw	
98	1	1811-2434-01	Växelförare	Gear Selector Hub	
99	1	1811-2412-01	Lasring	Lock Ring	
100	1	1811-2413-01	Lager	Bearing	
101	1	9699-0035-02	Bricka	Washer	
102	1	9747-1031-02	Mutter Loc-King	Lock Nut	
103	1	1811-2420-01	Fäste	Bracket	



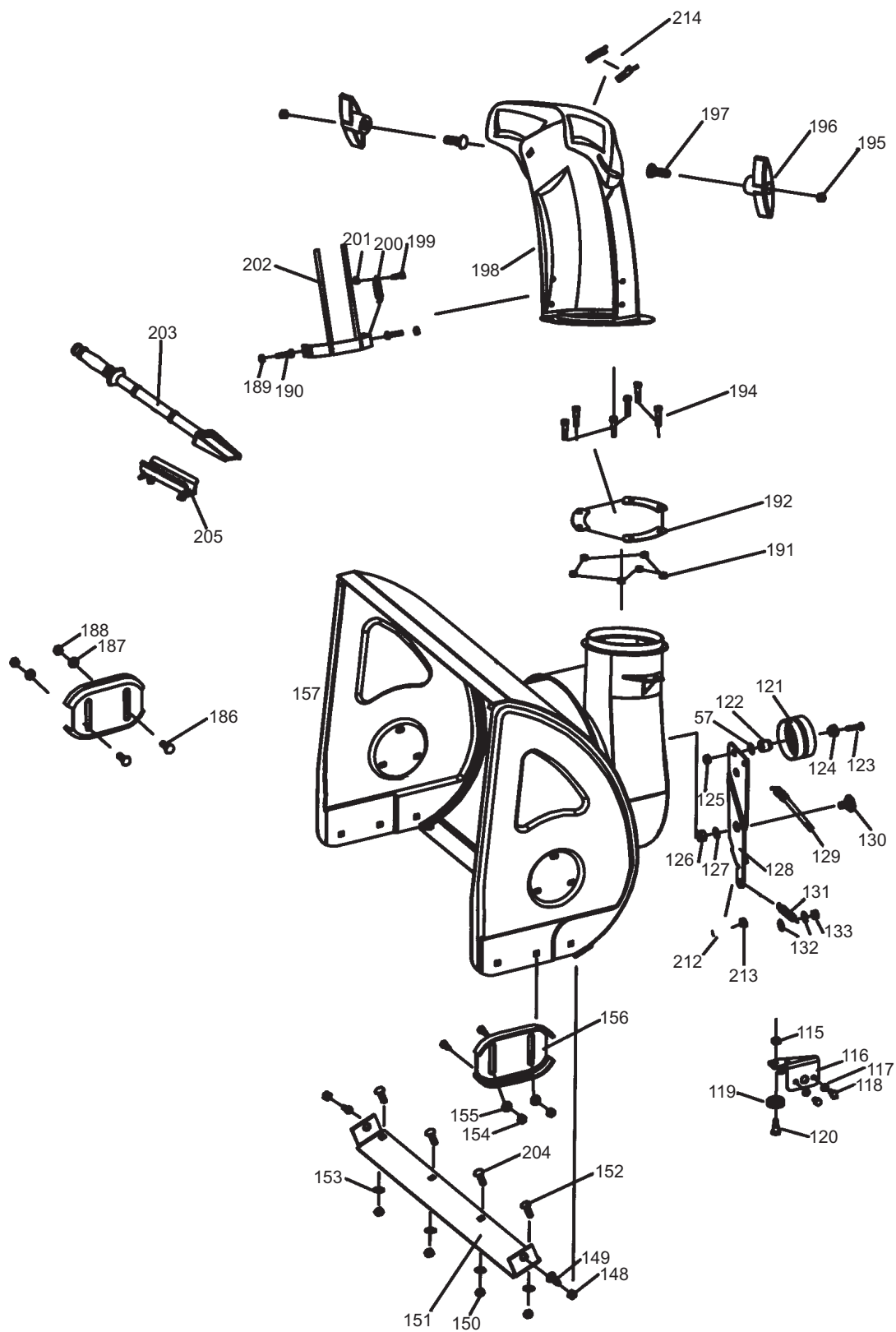
2172C

Utgåva Issue 37 - 2017		Motor, remmar Engine, belts			
Pos. Fig.	Antal Q.ty	Art nr Part No	Benämning	Description	Anmärkning Notes
104	2	9997-0610-16	Skruv	Screw	
105	1	1811-2465-01	Växelförararm	Gear Lever	
106	1	1811-2428-01	Drivskiva	Drive Pulley	
107	1	1811-2429-01	Axeltapp	Shaft	
108	2	1811-2414-01	Lager	Bearing	
109	1	1811-2424-01	Fäste-drivskiva	Bracket	
110	1	9599-0054-02	SaxSprint	Split Pin	
111	1	9747-1031-02	Mutter Loc-King	Lock Nut	
112	1	1811-2483-01	Fjäder	Spring	
113	1	1811-2489-01	Hylsa	Collar	
114	1	9699-0037-02	Bricka	Washer	
184	1	1811-2477-01	Bricka	Washer	
215	1	9650-0019-04	Lasring	Retainer ring	
218	1	9699-0037-02	Bricka	Washer	
219	1	1811-2581-01	Kil	Key	
220	1	1811-2592-01	Värmskydd	Therm. Insulated Shroud	
221	1	9699-0076-02	Bricka	Washer	



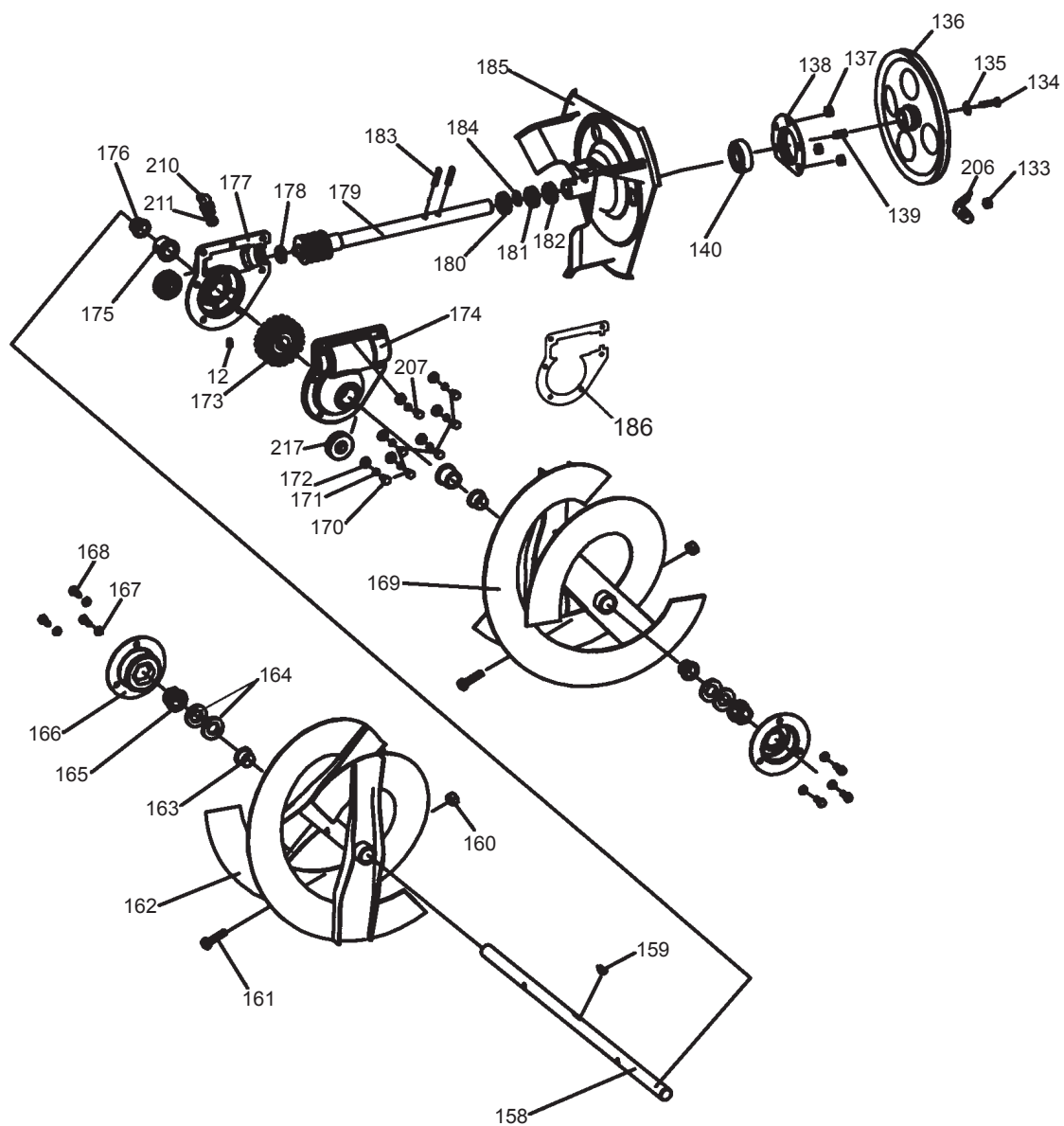
2173B

Utgåva Issue 37 - 2017		Inmatningshus, utkast		Housing, chute	
Pos. Fig.	Antal Q.ty	Art nr Part No	Benämning	Description	Anmärkning Notes
115	1	9747-0631-02	Mutter Loc-King	Lock Nut	
116	1	1811-2438-01	Fäste-gul	Bracket-Yellow	
117	2	9699-0025-02	Bricka	Washer	
118	2	9997-0610-16	Skruv	Screw	
119	1	1811-2440-01	Wirerulle	Wire Pulley	
120	1	1811-2476-01	Ansatsbult	Shoulder Bolt	
121	1	1811-2425-01	Spännrulle m.lager	Tension Roller W.Bearing	
122	1	1811-2426-01	Distans	Spacer	
123	1	9997-0845-12	Skruv	Screw	
124	1	1811-2427-01	Bricka	Washer	
125	1	9747-0831-02	Mutter Loc-King	Lock Nut	
126	1	9747-1031-02	Mutter Loc-King	Lock Nut	
127	1	9699-0035-02	Bricka	Washer	
128	1	1811-2448-01	Spännarm	Tension Arm	
129	1	1811-2457-01	Fjäder	Spring	
130	1	1811-2475-01	Skruv	Screw	
131	1	1811-2462-01	Fjäder	Spring	
132	1	9699-0028-02	Bricka	Washer	
133	1	9747-0831-02	Mutter Loc-King	Lock Nut	
148	2	9747-0831-02	Mutter Loc-King	Lock Nut	
149	2	9898-0820-16	Skruv	Screw	
150	4	9747-0831-02	Mutter Loc-King	Lock Nut	
151	1	1811-2549-01	Skrapskär	Shave Plate (62 Cm)	
152	2	9898-0820-16	Skruv	Screw	
153	4	9699-0056-02	Bricka	Washer	
154	2	9747-0831-02	Mutter Loc-King	Lock Nut	
155	2	9699-0056-02	Bricka	Washer	
156	2	1811-2568-01	Släpsko	Skid	
186	4	9898-0820-16	Skruv	Screw	
187	2	9699-0056-02	Bricka	Washer	
188	2	9747-0831-02	Mutter Loc-King	Lock Nut	
189	2	9747-0631-02	Mutter Loc-King	Lock Nut	
190	2	9997-0616-16	Skruv	Screw	
191	6	9747-0631-02	Mutter Loc-King	Lock Nut	
192	3	1811-2445-01	Flänsbricka	Washer	
194	6	1811-2551-01	Skruv	Screw	
195	2	9747-0831-02	Mutter Loc-King	Lock Nut	
196	2	1811-2498-01	Lasratt	Knob	
197	2	9898-0825-16	Skruv	Screw	
198	1	1811-2571-01	Utkaströr	Chute	
199	1	9997-0620-16	Skruv	Screw	
200	1	1811-2461-01	Fjäder	Spring	
201	1	9747-0631-02	Mutter Loc-King	Lock Nut	
202	1	1811-2432-01	Utkastskydd	Chute Guard	
203	1	1811-2500-01	Rensdon	Cleaner Stick	
204	2	9898-0820-16	Skruv	Screw	
205	1	1811-2572-01	Fäste-rendon	Cleaner Stick Bracket	
212	1	1811-2553-01	Brytbult	Shear bolt	
213	1	1811-2546-01	Mutter	Nut	



2173B

Utgåva Issue 37 - 2017		Inmatningshus, utkast Housing, chute			
Pos. Fig.	Antal Q.ty	Art nr Part No	Benämning	Description	Anmärkning Notes
214	2	1811-2547-01	Gummiblock	Rubber Block	



2174C

Utgåva Issue 37 - 2017		Snäckväxel, snöskruv		Gear case, auger	
Pos. Fig.	Antal Q.ty	Art nr Part No	Benämning	Description	Anmärkning Notes
12	1	9997-0510-16	Skruv	Screw	
134	1	9997-0820-16	Skruv	Screw	
135	1	9699-0056-02	Bricka	Washer	
136	1	1811-2556-01	Remskiva	Pulley	
137	3	9747-0831-02	Mutter Loc-King	Lock Nut	
138	1	1811-2422-01	Lagerskal	Bearing Cover	
139	1	9600-0170-00	Kil	Key	
140	1	1811-2415-01	Lager	Bearing	
158	1	1811-2552-01	Snöskruvaxel	Output Shaft (62 Cm)	
159	1	1811-2416-01	Kil	Key	
160	2	9747-0831-02	Mutter Loc-King	Lock Nut	
161	1	1811-9012-01	Brytbultsats	Shear Bolt Kit	Pos 160 incl.
162	1	1811-2561-01	Snöskruv-vä	Auger-Lh	As seen from front
163	1	1811-2443-01	Axelbussning	Shaft Bushing	
164	2	1811-2418-01	Planbricka	Flat washer	
165	2	1811-2444-01	Axelbussning	Shaft Bushing	
166	2	1811-2449-01	Lagerfäste	Bearing Cover	
167	6	9699-0028-02	Bricka	Washer	
168	6	9997-0812-16	Skruv	Screw	
169	1	1811-2562-01	Snöskruv-hö	Auger-Rh	As seen from front
170	6	9997-0620-16	Skruv	Screw	
171	7	9683-0025-02	Bricka	Washer	
172	7	9699-0025-02	Bricka	Washer	
173	1	1811-2463-01	Snäckdrev	Worm Gear	
174	1	1811-2484-01	Snäckväxelhus-hö	Gear Housing, Right	As seen from front
175	1	1811-2490-01	Bussning	Bushing	
176	4	1811-2443-01	Axelbussning	Shaft Bushing	
177	1	1811-2485-01	Snäckväxelhus-vä	Gear housing-LH	As seen from front
178	1	1811-2402-01	Lager	Bearing	
179	1	1811-2454-01	Fläktaxel	Fan Shaft	Ø = 20 mm
180	1	1811-2403-01	Lager	Bearing	
181	1	1811-2404-01	Trycklager	Thrust Bearing	
182	1	1811-2405-01	Tätningring	Seal ring	32 x 20 x 6 mm
183	2	9595-0258-00	Spännstift	Locating Pin	
184	1	1811-2477-01	Bricka	Washer	
185	1	1811-2419-01	Fläkt	Fan	
186	1	1811-2569-01	Packning	Gasket	
207	1	9997-0625-16	Skruv	Screw	
210	1	1811-2544-01	Smörjnippel	Grease Filling Joint	
211	1	1811-2545-01	Packning	Wave Gasket	
217	1	1811-2580-01	Tätningring	Oil Seal	30 x 19 x 7 mm

code	pos.	q.ty	page										
1811-2400-01	7	4	p. 3	1811-2478-01	37	2	p. 7	9699-0029-02	216	1	p. 5		
1811-2402-01	178	1	p. 15	1811-2482-01	23	1	p. 3	9699-0035-02	101	1	p. 7		
1811-2403-01	180	1	p. 15	1811-2483-01	112	1	p. 9	9699-0035-02	127	1	p. 11		
1811-2404-01	181	1	p. 15	1811-2484-01	174	1	p. 15	9699-0037-02	114	1	p. 9		
1811-2405-01	182	1	p. 15	1811-2485-01	177	1	p. 15	9699-0037-02	218	1	p. 9		
1811-2406-01	34	2	p. 7	1811-2486-01	68	1	p. 3	9699-0056-02	135	1	p. 15		
1811-2407-01	38	2	p. 7	1811-2489-01	113	1	p. 9	9699-0056-02	147	2	p. 5		
1811-2410-01	87	1	p. 7	1811-2490-01	175	1	p. 15	9699-0056-02	153	4	p. 11		
1811-2411-01	90	1	p. 7	1811-2498-01	196	2	p. 11	9699-0056-02	155	2	p. 11		
1811-2412-01	99	1	p. 7	1811-2500-01	203	1	p. 11	9699-0056-02	187	2	p. 11		
1811-2413-01	100	1	p. 7	1811-2541-01	39	2	p. 7	9699-0062-02	30	2	p. 3		
1811-2414-01	108	2	p. 9	1811-2542-01	83	1	p. 7	9699-0072-02	193	4	p. 5		
1811-2415-01	140	1	p. 15	1811-2544-01	210	1	p. 15	9699-0076-02	221	1	p. 9		
1811-2416-01	159	1	p. 15	1811-2545-01	211	1	p. 15	9699-0122-02	89	3	p. 7		
1811-2418-01	164	2	p. 15	1811-2546-01	213	1	p. 11	9739-0631-22	19	2	p. 3		
1811-2419-01	185	1	p. 15	1811-2547-01	214	2	p. 13	9739-0631-22	21	1	p. 3		
1811-2420-01	103	1	p. 7	1811-2549-01	151	1	p. 11	9739-0631-22	51	2	p. 3		
1811-2421-01	33	1	p. 7	1811-2550-01	36	1	p. 7	9747-0631-02	25	4	p. 3		
1811-2422-01	138	1	p. 15	1811-2551-01	194	6	p. 11	9747-0631-02	59	3	p. 7		
1811-2423-01	92	1	p. 7	1811-2552-01	158	1	p. 15	9747-0631-02	71	1	p. 7		
1811-2424-01	109	1	p. 9	1811-2553-01	212	1	p. 11	9747-0631-02	115	1	p. 11		
1811-2425-01	121	1	p. 11	1811-2555-01	75	1	p. 7	9747-0631-02	189	2	p. 11		
1811-2426-01	122	1	p. 11	1811-2556-01	136	1	p. 15	9747-0631-02	191	6	p. 11		
1811-2427-01	80	1	p. 7	1811-2557-01	1	1	p. 3	9747-0631-02	201	1	p. 11		
1811-2427-01	124	1	p. 11	1811-2559-01	73	1	p. 7	9747-0631-02	2	2	p. 3		
1811-2428-01	106	1	p. 9	1811-2560-01	85	1	p. 7	9747-0831-02	13	1	p. 3		
1811-2429-01	107	1	p. 9	1811-2561-01	162	1	p. 15	9747-0831-02	44	4	p. 7		
1811-2430-01	145	1	p. 5	1811-2562-01	169	1	p. 15	9747-0831-02	56	6	p. 3		
1811-2431-01	142	1	p. 5	1811-2563-01	18	1	p. 3	9747-0831-02	125	1	p. 11		
1811-2432-01	202	1	p. 11	1811-2565-01	27	1	p. 3	9747-0831-02	133	1	p. 11		
1811-2433-01	96	2	p. 7	1811-2566-01	11	1	p. 3	9747-0831-02	137	3	p. 15		
1811-2434-01	98	1	p. 7	1811-2567-01	3	1	p. 3	9747-0831-02	146	2	p. 5		
1811-2435-01	93	1	p. 7	1811-2568-01	156	2	p. 11	9747-0831-02	148	2	p. 11		
1811-2437-01	52	1	p. 3	1811-2569-01	186	1	p. 15	9747-0831-02	150	4	p. 11		
1811-2438-01	116	1	p. 11	1811-2570-01	6	1	p. 3	9747-0831-02	154	2	p. 11		
1811-2439-01	48	1	p. 3	1811-2570-02	6	1	p. 3	9747-0831-02	160	2	p. 15		
1811-2440-01	47	2	p. 3	1811-2571-01	198	1	p. 11	9747-0831-02	188	2	p. 11		
1811-2440-01	53	2	p. 3	1811-2572-01	205	1	p. 11	9747-0831-02	195	2	p. 11		
1811-2440-01	119	1	p. 11	1811-2575-01	76	1	p. 7	9747-1031-02	102	1	p. 7		
1811-2442-01	65	1	p. 3	1811-2578-01	86	1	p. 7	9747-1031-02	111	1	p. 9		
1811-2443-01	163	1	p. 15	1811-2580-01	217	1	p. 15	9747-1031-02	126	1	p. 11		
1811-2443-01	176	4	p. 15	1811-2581-01	219	1	p. 9	9787-0831-32	15	1	p. 3		
1811-2444-01	165	2	p. 15	1811-2584-01	95	1	p. 7	9799-0531-02	9	2	p. 3		
1811-2445-01	192	3	p. 11	1811-2592-01	220	1	p. 9	9898-0820-16	144	2	p. 5		
1811-2448-01	128	1	p. 11	1811-2593-01	79	1	p. 7	9898-0820-16	149	2	p. 11		
1811-2449-01	166	2	p. 15	1811-9012-01	161	1	p. 15	9898-0820-16	152	2	p. 11		
1811-2452-01	32	2	p. 7	9595-0212-00	35	1	p. 7	9898-0820-16	186	4	p. 11		
1811-2453-01	29	2	p. 3	9595-0258-00	183	2	p. 15	9898-0820-16	204	2	p. 11		
1811-2454-01	179	1	p. 15	9599-0054-02	110	1	p. 9	9898-0825-16	197	2	p. 11		
1811-2455-01	43	1	p. 7	9599-0054-02	143	1	p. 5	9987-5125-16	84	1	p. 7		
1811-2457-01	129	1	p. 11	9600-0170-00	139	1	p. 15	9997-0510-16	12	1	p. 15		
1811-2458-01	8	2	p. 3	9650-0019-04	215	1	p. 9	9997-0610-16	41	2	p. 7		
1811-2461-01	200	1	p. 11	9683-0025-02	171	7	p. 15	9997-0610-16	63	1	p. 3		
1811-2462-01	131	1	p. 11	9699-0025-02	42	2	p. 7	9997-0610-16	66	2	p. 3		
1811-2463-01	173	1	p. 15	9699-0025-02	49	2	p. 3	9997-0610-16	70	4	p. 3		
1811-2465-01	105	1	p. 9	9699-0025-02	55	2	p. 3	9997-0610-16	104	2	p. 9		
1811-2467-01	141	1	p. 5	9699-0025-02	62	3	p. 7	9997-0610-16	118	2	p. 11		
1811-2468-01	16	1	p. 3	9699-0025-02	64	1	p. 3	9997-0612-16	50	2	p. 3		
1811-2469-01	17	1	p. 3	9699-0025-02	67	2	p. 3	9997-0612-16	54	2	p. 3		
1811-2472-01	4	2	p. 3	9699-0025-02	69	4	p. 3	9997-0612-16	94	3	p. 7		
1811-2473-01	82	1	p. 7	9699-0025-02	117	2	p. 11	9997-0612-16	97	3	p. 7		
1811-2475-01	130	1	p. 11	9699-0025-02	172	7	p. 15	9997-0616-16	190	2	p. 11		
1811-2476-01	46	2	p. 3	9699-0028-02	45	4	p. 7	9997-0620-16	20	2	p. 3		
1811-2476-01	120	1	p. 11	9699-0028-02	57	6	p. 3	9997-0620-16	22	1	p. 3		
1811-2477-01	184	1	p. 9	9699-0028-02	78	2	p. 7	9997-0620-16	61	1	p. 7		
1811-2477-01	184	1	p. 15	9699-0028-02	132	1	p. 11	9997-0620-16	170	6	p. 15		
				9699-0028-02	167	6	p. 15	9997-0620-16	199	1	p. 11		

code	pos.	q.ty	page
9997-0625-16	24	1	p. 3
9997-0625-16	207	1	p. 15
9997-0630-12	60	2	p. 7
9997-0635-12	26	4	p. 3
9997-0812-16	77	1	p. 7
9997-0812-16	168	6	p. 15
9997-0816-16	88	1	p. 7
9997-0820-16	31	2	p. 3
9997-0820-16	74	1	p. 7
9997-0820-16	134	1	p. 15
9997-0830-16	81	1	p. 7
9997-0840-16	28	2	p. 3
9997-0845-12	5	2	p. 3
9997-0845-12	123	1	p. 11
118550657/0	40	1	p. 7