



Reservdelskatalog Parts Catalogue

ST 3255 P

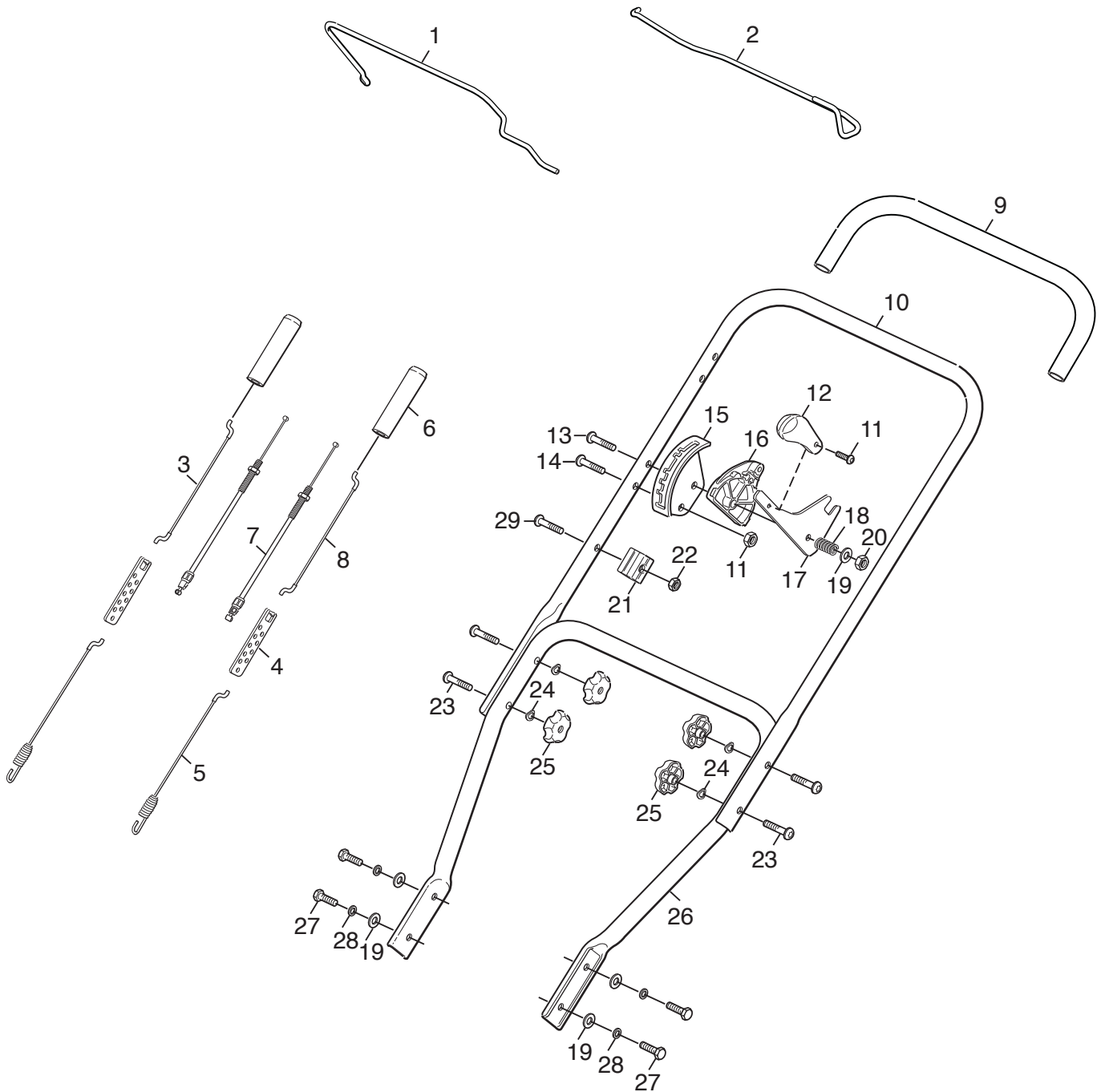
18-2859-32 - Season 2018

- Use STIGA S.p.A. Genuine Spare Parts specified in the parts list for repair and/or replacement.
 - The contents described in the parts list may change due to improvement.
 - The drawings of the spare parts are only indicative and might not represent the part in question exactly.
 - The indications "right" - "left" - "front" - "rear" refer to the position of the operator when using the machine.
- When placing orders of parts for repair and/or replacement, make sure that the illustrated parts list is the one applying to the machine's year of manufacture, as shown on the identification plate attached to the machine.

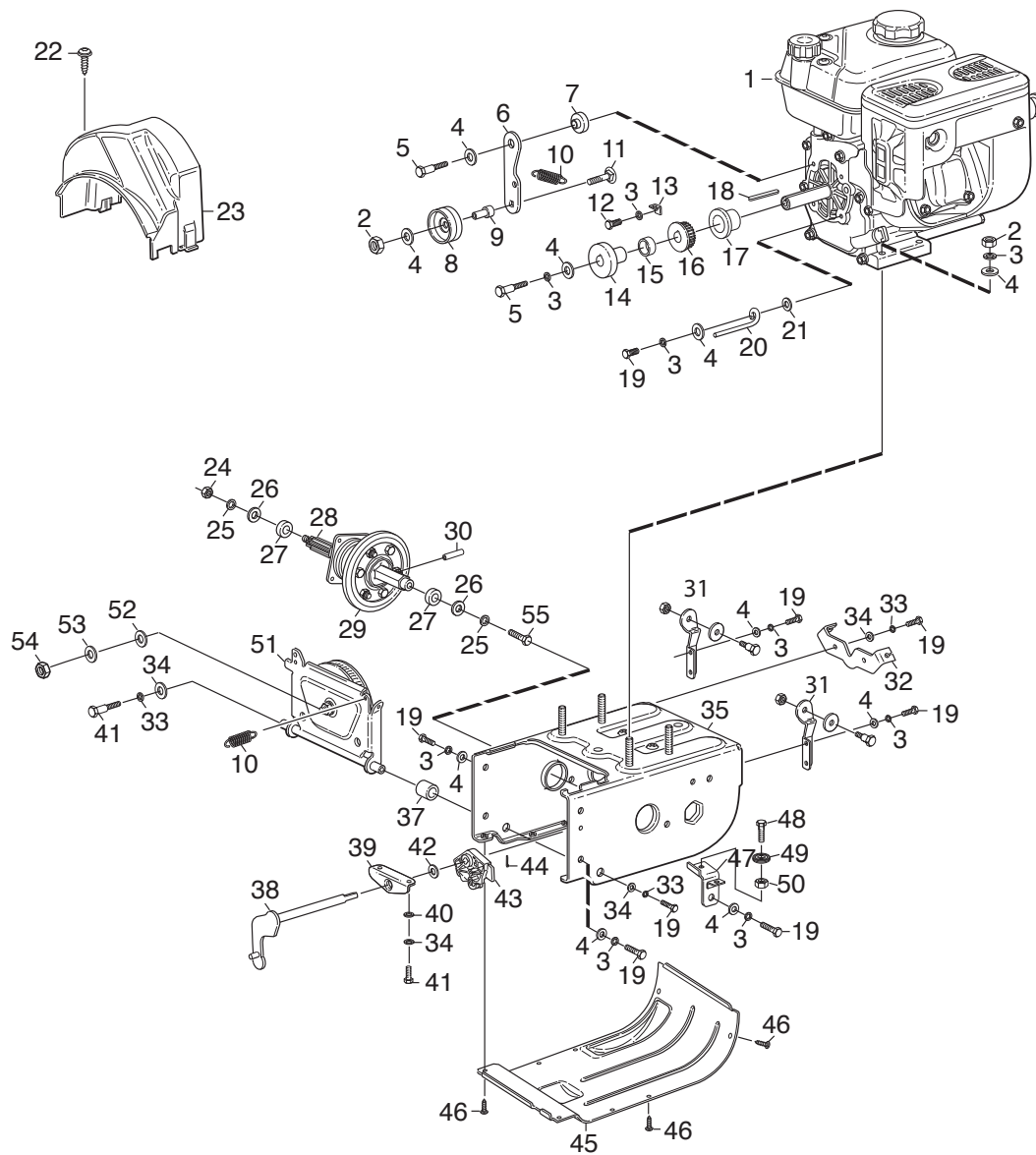
© Copyright 2018 STIGA S.p.A.

All rights reserved. No part of this material may be reproduced or transmitted, in any form or by any means, electronic or mechanical, including photocopying, recording or by any information storage and retrieval system, without permission in writing from STIGA S.p.A.

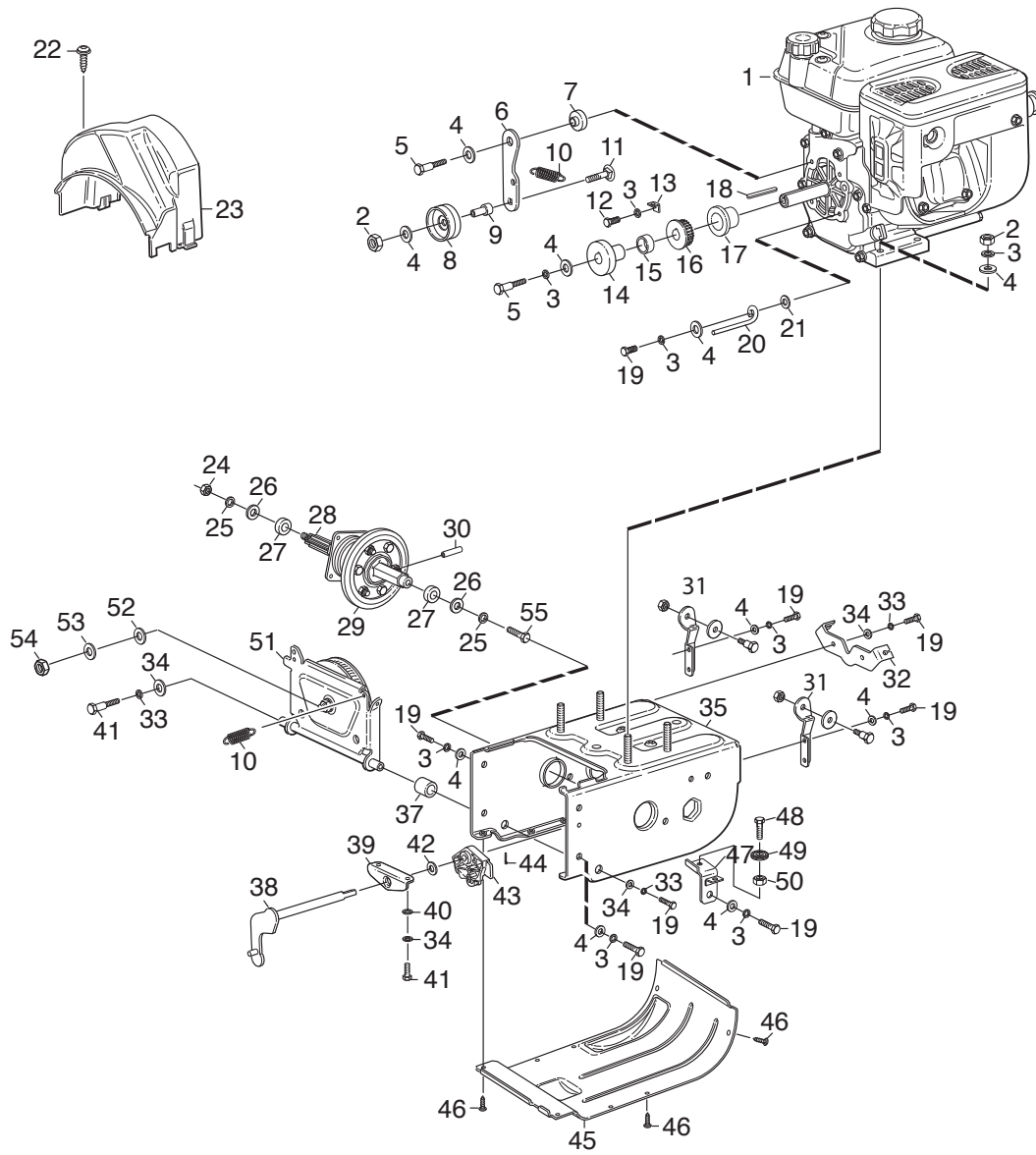
www.stiga.com



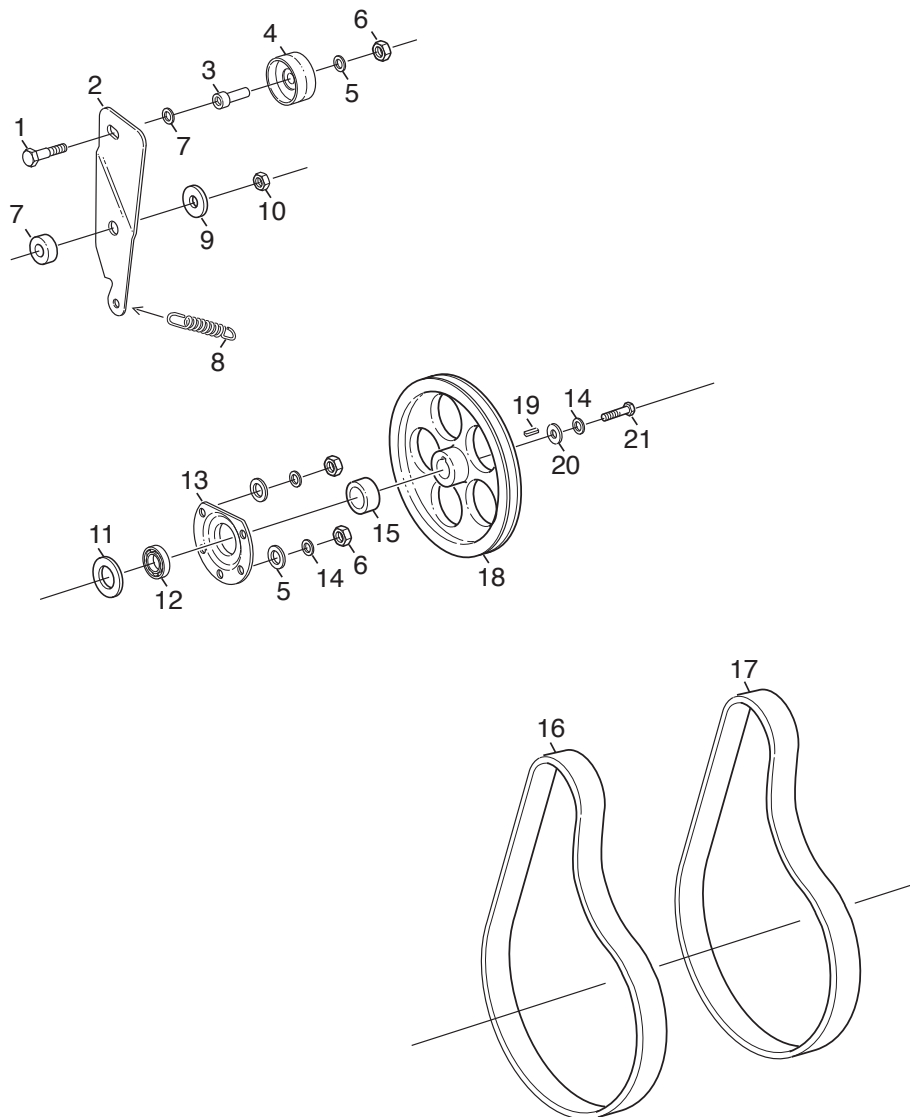
Utgåva Issue 37 - 2017		Reglage Controls			
Pos. Fig.	Antal Q.ty	Art nr Part No	Benämning	Description	Anmärkning Notes
1	1	1811-2855-01	Reglagebygel-Snöskruv	Auger Contol	
2	1	1811-2856-01	Reglagebygel-Motor	Drive Control	
3	1	1811-2851-01	Reglagewire-Övre	Auger Cable-Upper	
4	2	1811-2850-01	Platta	Plate	
5	2	1811-2849-01	Reglagewire-Undre	Auger Drive Cable-Lower	
6	2	1811-2854-01	Kabelrör	Cable Pipe	
7	2	1811-2852-01	Växelwire	Gear Cable	
8	1	1811-2853-01	Gaswire-Övre	Drive Control Cable-Upper	
9	1	1811-2857-01	Gummimuff	Rubber Sleeve	
10	1	118820827/0	Styre-överdel	Handle-Upper	
11	1	1811-2859-01	Skruv	Screw	
12	1	118820817/0	Handtag	Grip	
13	1	1811-2861-01	Skruv	Screw	
14	1	1811-2862-01	Skruv	Screw	
15	1	1811-2864-01	Fäste	Bracket	
16	1	1811-2865-01	Adapter	Adapter	
17	1	1811-2866-01	Växelhandtag	Gear Handle	
18	1	1811-2867-01	Bromsfjäder	Spring	
19	5	1811-2752-01	Packning	Gasket	
20	2	1811-2760-01	Plaströr	Plastic Pipe	
21	1	1811-2863-01	Kabelklämma	Cable Clamp	
22	1	1811-2768-01	Plaströr	Plastic Pipe	
23	4	1811-2868-01	Skruv	Screw	
24	4	1811-2869-01	Skruv	Screw	
25	4	118820815/0	Låsratt	Handle Knob	
26	1	118820826/0	Styre-Underdel	Handle Lower	
27	5	1811-2791-01	Skruv	Screw	
28	4	1811-2751-01	Bricka	Washer	
29	4	112727784/0	Skruv	Screw	



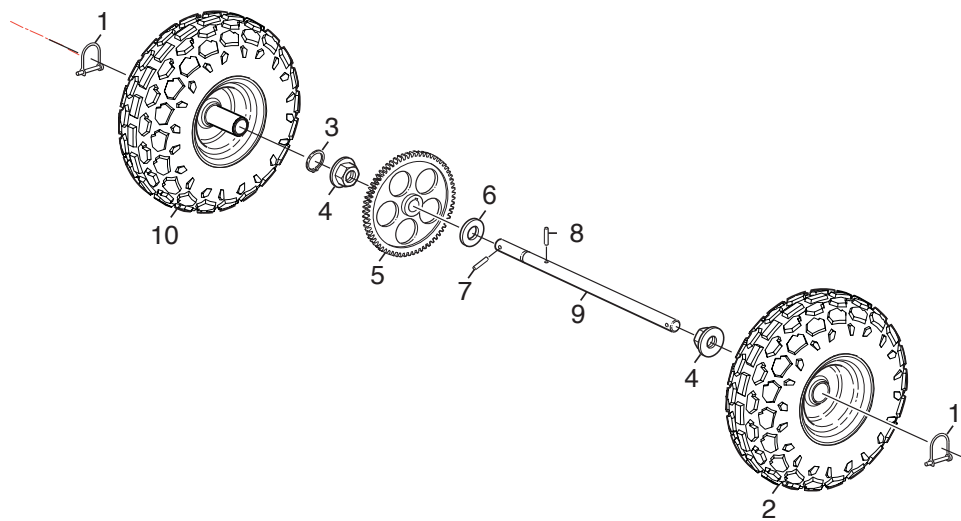
Utgåva Issue 37 - 2017		Motor	Engine		
Pos. Fig.	Antal Q.ty	Art nr Part No	Benämning	Description	Anmärkning Notes
1	1	118551359/0	Motor Kpl	Engine Assembled	
2	5	1811-2760-01	Plaströr	Plastic Pipe	
3	10	1811-2751-01	Bricka	Washer	
4	12	1811-2752-01	Packning	Gasket	
5	2	1811-2786-01	Ansatsbult	Shoulder Bolt	
6	1	1811-2834-01	Fäste	Bracket	
7	1	1811-2835-01	Distans	Spacer	
8	1	1811-2841-01	Tension pulley	Tension Rolle	
9	1	1811-2840-01	Flänslager	Flange Bearing	
10	2	1811-2793-01	Bromsfjäder	Spring	
11	1	1811-2839-01	Ansatsbult	Shoulder Bolt	
12	1	1811-2750-01	Skruv	Screw	
13	1	1811-2837-01	Bromsfjäder	Spring	
14	1	1811-2843-01	Kilrem	Belt	
15	1	1811-2844-01	Bricka	Washer	
16	1	1811-2845-01	Remskiva	Pulley	
17	1	1811-2846-01	Bricka	Washer	
18	1	1811-2842-01	Kil	Key	
19	6	1811-2791-01	Skruv	Screw	
20	1	1811-2848-01	Remstyrning	Belt Guide	
21	1	1811-2847-01	Bricka	Washer	
22	2	1811-2814-01	Skruv	Screw	
23	1	1811-2833-01	Remskydd	Belt Cover	
24	1	1811-2794-01	Rör	Plastic Pipe	
25	2	1811-2829-01	Bricka	Washer	
26	2	1811-2785-01	Packning	Gasket	
27	2	1811-2830-01	Kullager	Ball Bearing	
28	1	1811-2832-01	Hjulaxel	Wheel Drive Shaft	
29	1	1811-2831-01	Plat	Friction Plate	
30	1	1811-2867-01	Bromsfjäder	Spring	
31	2	1811-2826-01	Mutter	Nut	
32	1	1811-2825-01	Hallare	Holder	
33	1	1811-2807-01	Bricka	Washer	
34	2	1811-2769-01	Packning	Gasket	
35	1	1811-2872-01	Ram Kpl-Svart	Frame Assy-Black	Grey
37	1	1811-2792-01	Distans	Spacer	
38	1	1811-2806-01	Stäg	Rod	
39	1	1811-2808-01	Fäste	Frame Bracket	
40	2	1811-2807-01	Bricka	Washer	
41	2	112790781/0	Skruv	Screw	
42	1	1811-2809-01	Distans	Spacer	
43	1	1811-2810-01	Växellada kpl	Gear	
44	1	1811-2811-01	SaxSprint	Cotter Pin	
45	1	1811-2813-01	Motorkapa	Cover	
46	8	1811-2814-01	Skruv	Screw	
47	1	1811-2812-01	Fäste	Bracket	
48	1	1811-2824-01	Skruv	Screw	
49	1	1811-2823-01	Dämpare	Damper	
50	1	1811-2768-01	Plaströr	Plastic Pipe	



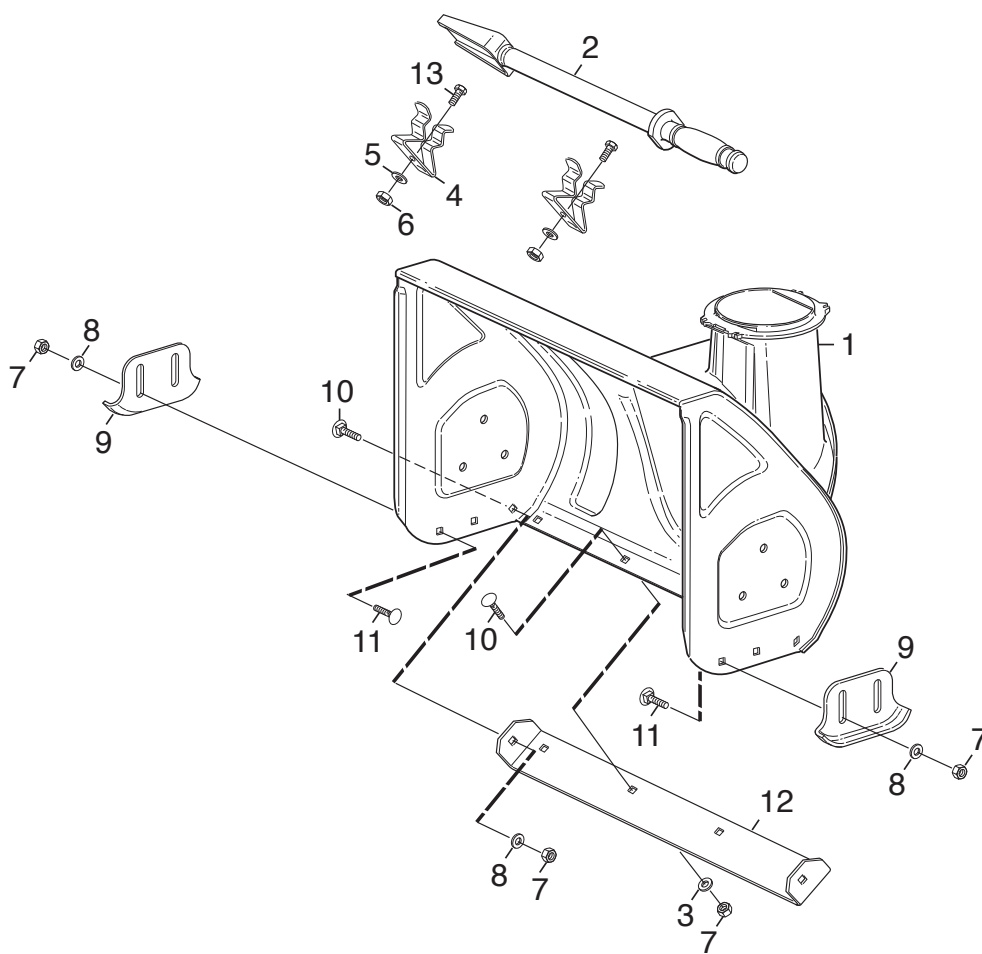
Utgåva Issue 37 - 2017		Motor Engine			
Pos. Fig.	Antal Q.ty	Art nr Part No	Benämning	Description	Anmärkning Notes
51	1	118820811/0	Friction disc bracket	Friction disc bracket	
52	1	1811-2785-01	Packning	Gasket	
53	1	1811-2829-01	Bricka	Washer	
54	1	112295200/0	Mutter	Nut	
55	1	1811-2828-01	Mutter	Nut	



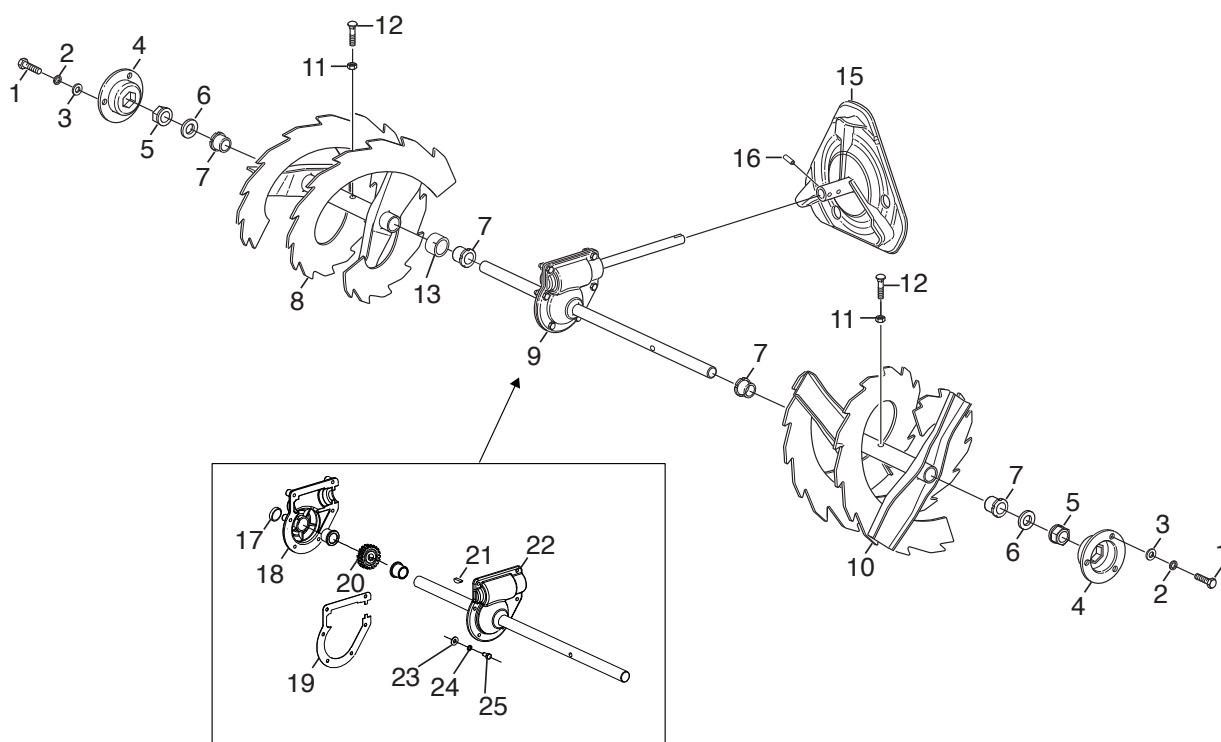
Utgåva Issue 37 - 2017		Drivning Traction drive			
Pos. Fig.	Antal Q.ty	Art nr Part No	Benämning	Description	Anmärkning Notes
1	1	1811-2786-01	Ansatsbult	Shoulder Bolt	
2	1	1811-2787-01	Växeljusterings	Strut	
3	1	1811-2788-01	Distans	Spacer	
4	1	1811-2789-01	Spännrulle	Idler	
5	2	112521350/0	Bricka	Washer	
6	2	1811-2703-01	Mutter	Nut	
7	2	9699-0121-02	Bricka	Washer	
8	1	1811-2796-01	Fjäder	Spring	
9	1	1811-2795-01	Bricka	Washer	
10	1	1811-2794-01	Rör	Plastic Pipe	
11	1	1811-2755-01	Bricka	Washer	
12	1	1811-2798-01	Kullager	Bearing	
13	1	1811-2799-01	Lagerplatta	Bearing plate	
14	2	1811-2751-01	Bricka	Washer	
15	1	1811-2800-01	Distans	Spacer	
16	1	1811-2801-01	Kilrem	Belt	
17	1	1811-2802-01	Kilrem	Belt	
18	1	1811-2803-01	Remskiva	Pulley	
19	1	1811-2804-01	Kil	Key	
20	1	1811-2805-01	Bricka	Washer	
21	1	1811-2791-01	Skruv	Screw	
22	2	1811-2785-01	Packning	Gasket	



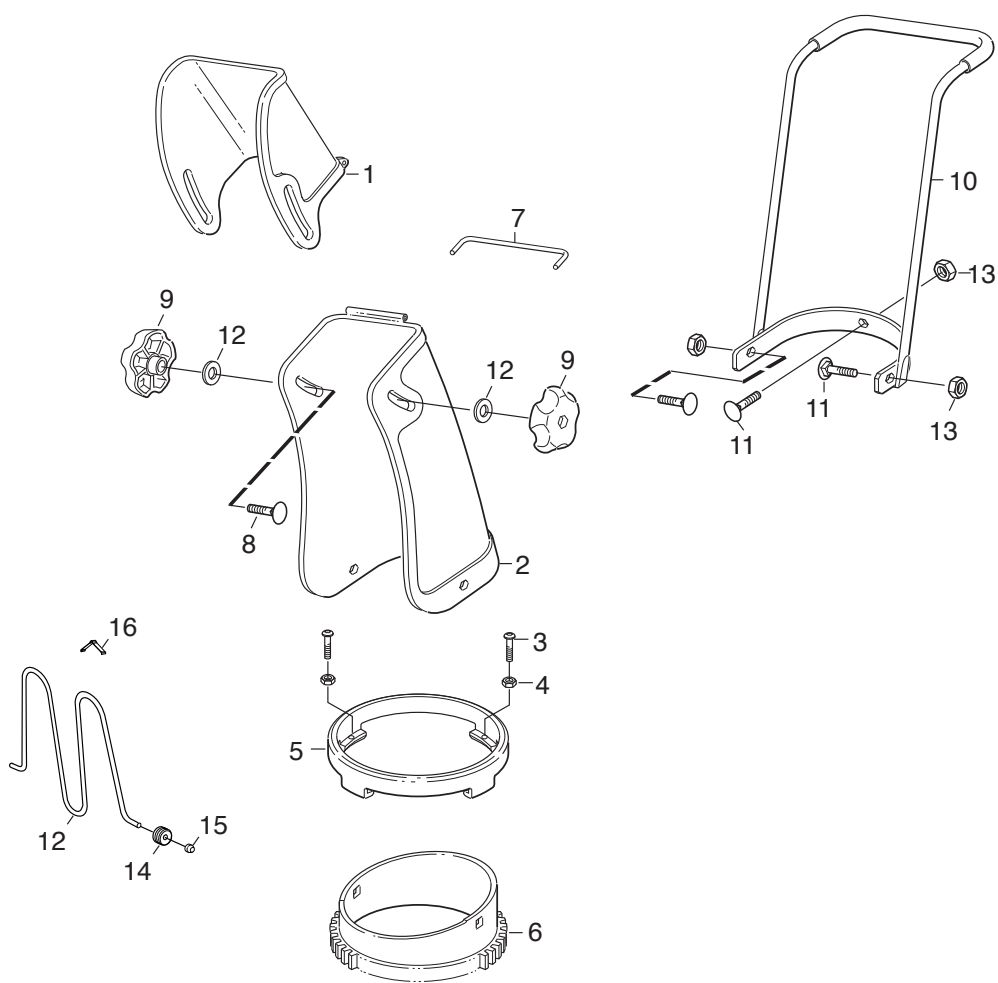
Utgåva Issue 37 - 2017		Hjul Wheel			
Pos. Fig.	Antal Q.ty	Art nr Part No	Benämning	Description	Anmärkning Notes
1	2	1811-2822-01	Låsnål	Dowel Pin	
2	2	1811-2885-01	Hjul Kpl-Vä	Left Wheel	
3	1	1811-2820-01	Segersäkring	Lock Ring	
4	2	1811-2819-01	Flänslager	Flange Bearing	
5	1	1811-2818-01	Drev	Gear	
6	1	1811-2755-01	Bricka	Washer	
7	1	1811-2817-01	Kil	Key	
8	1	1811-2816-01	Saxsprint	Cotter Pin	
9	1	118820816/0	Axel	Shaft	
10	1	1811-2886-01	Hjul Kpl-Hö	Right Wheel	



Utgåva Issue 37 - 2017		Inmatningshus Auger housing			
Pos. Fig.	Antal Q.ty	Art nr Part No	Benämning	Description	Anmärkning Notes
1	1	118820822/0	Inmatningshus-Grau	Auger Housing Grey	Grey
2	1	1811-2772-01	Rengöringsverktyg	Clear-Out Tool	
3	2	118820810/0	Bricka	Flap Gasket	
4	2	1811-2770-01	Fäste	Bracket	
5	2	1811-2769-01	Packning	Gasket	
6	2	1811-2768-01	Plaströr	Plastic Pipe	
7	4	1811-2703-01	Mutter	Nut	
8	4	1811-2752-01	Packning	Gasket	
9	2	118820823/0	Glidplåt	Skid Plate	
10	4	1811-2762-01	Ansatsbult	Shoulder Bolt	
11	4	1811-2766-01	Ansatsbult	Shoulder Bolt	
12	1	118820809/0	Fäste	Bracket	
13	1	1811-2771-01	Skruv	Screw	



Utgåva Issue 37 - 2017		Snöskruv Auger drive			
Pos. Fig.	Antal Q.ty	Art nr Part No	Benämning	Description	Anmärkning Notes
1	6	1811-2750-01	Skruv	Screw	
2	6	1811-2751-01	Bricka	Washer	
3	2	1811-2752-01	Packning	Gasket	
4	2	1811-2753-01	Lagerhus	Bearing Housing	
5	2	1811-2754-01	Lager	Bearing	
6	2	1811-2755-01	Bricka	Washer	
7	4	1811-2756-01	Lager	Bearing	
8	1	118820801/0	Snöskruv-Hö	Auger-Rh	
9	1	1811-2758-01	Snäckväxel	Gear Case Assy	
10	1	118820808/0	Snöskruv-Vä	Auger-Lh	
11	2	1811-2768-01	Plaströr	Plastic Pipe	
12	2	118820802/0	Brytbult	Shear bolt	
13	4	118820800/0	Bussning	Bushing	
15	1	1811-2764-01	Fläkt	Impeller	
16	1	1811-2765-01	Spännstift	Locating Pin	
17	2	118820803/0	Tätningring	Seal ring	
18	1	118820804/0	Snäckväxelhus	Worm Gear Housing, Right	
19	1	118820805/0	Packning	Gasket	
20	1	118820806/0	Snäckdrev	Worm gear	
21	1	1811-2817-01	Kil	Key	
22	1	118820807/0	Snäckväxelhus	Worm Gear Housing, Left	
23	6	1811-2769-01	Packning	Gasket	
24	6	1811-2807-01	Bricka	Washer	
25	6	112791500/0	Skruv	Screw	



Utgåva Issue 37 - 2017		Utkast Discharge case			
Pos. Fig.	Antal Q.ty	Art nr Part No	Benämning	Description	Anmärkning Notes
1	1	118820825/0	Utkast	Chute	
2	1	118820824/0	Utkast	Chute	
3	2	1811-2776-01	Skruv	Screw	
4	2	1811-2775-01	Rör	Plastic Pipe	
5	1	1811-2774-01	Hållare	Holder	
6	1	1811-2773-01	Ringdrev	Chute Gear	
7	1	1811-2779-01	Växeljusterings	Strut	
8	2	1811-2780-01	Ansatsbult	Shoulder Bolt	
9	2	118820815/0	Låsraff	Handle Knob	
10	1	1811-2782-01	Utkastkontroll	Chute Directinal Control	
11	2	1811-2783-01	Skruv	Screw	
12	1	118820812/0	Safety bracket	Safety bracket	
13	3	1811-2768-01	Plaströr	Plastic Pipe	
14	3	118820813/0	Rubber ring	Rubber ring	
15	3	118820814/0	Buckle	Buckle	
16	3	1811-2784-01	Växeljusterings	Strut	

