



## **Reservdelskatalog Parts Catalogue**

### **ST 1151 P**

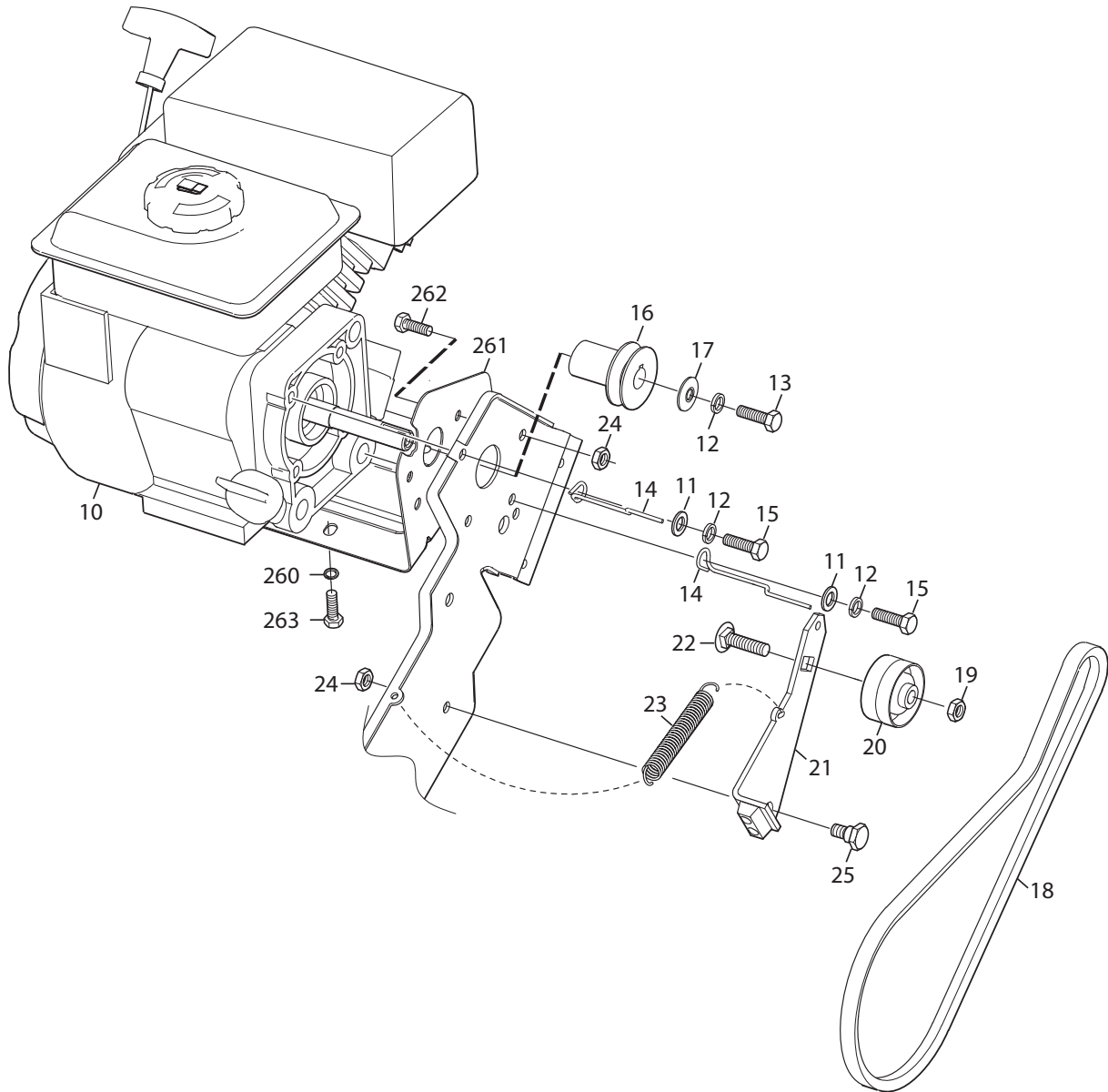
**18-2860-32 - Season 2018**

- Use STIGA S.p.A. Genuine Spare Parts specified in the parts list for repair and/or replacement.
    - The contents described in the parts list may change due to improvement.
  - The drawings of the spare parts are only indicative and might not represent the part in question exactly.
  - The indications "right" - "left" - "front" - "rear" refer to the position of the operator when using the machine.
- When placing orders of parts for repair and/or replacement, make sure that the illustrated parts list is the one applying to the machine's year of manufacture, as shown on the identification plate attached to the machine.

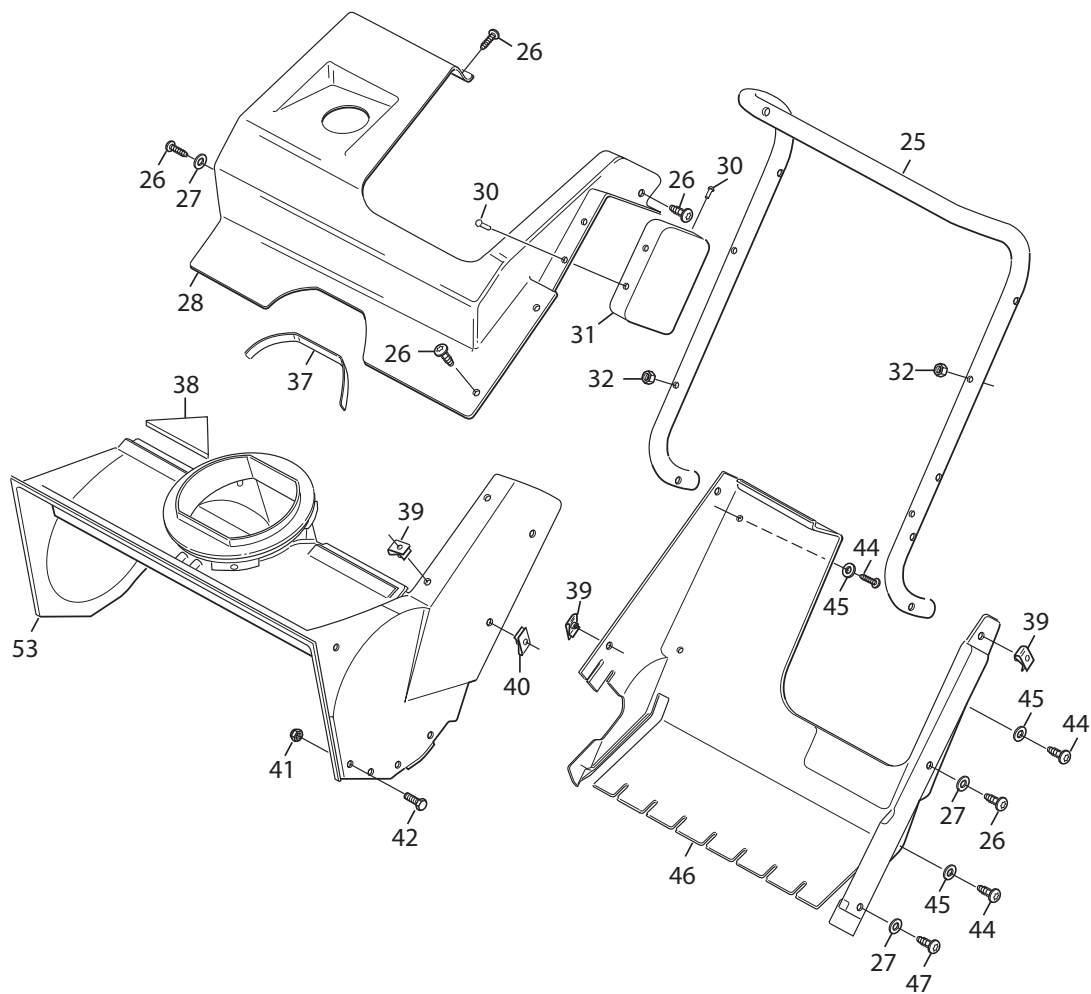
© Copyright 2018 STIGA S.p.A.

All rights reserved. No part of this material may be reproduced or transmitted, in any form or by any means, electronic or mechanical, including photocopying, recording or by any information storage and retrieval system, without permission in writing from STIGA S.p.A.

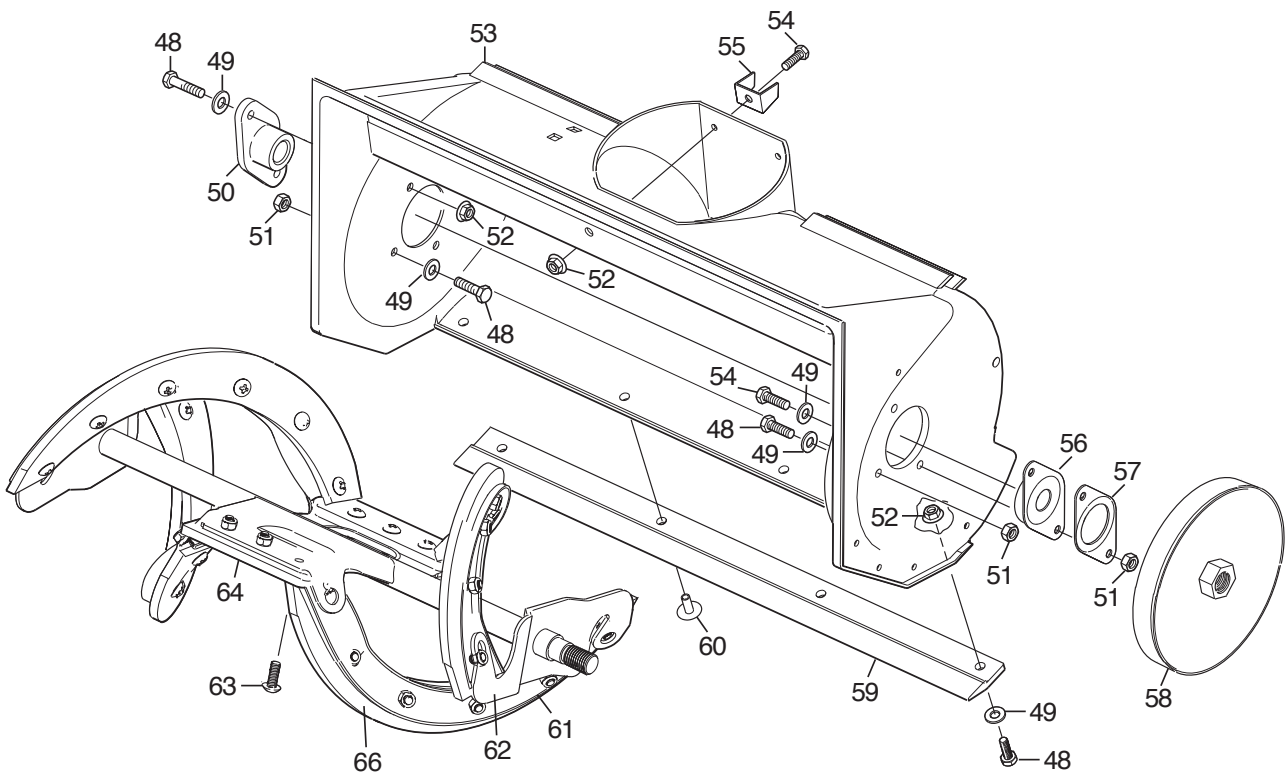
[www.stiga.com](http://www.stiga.com)



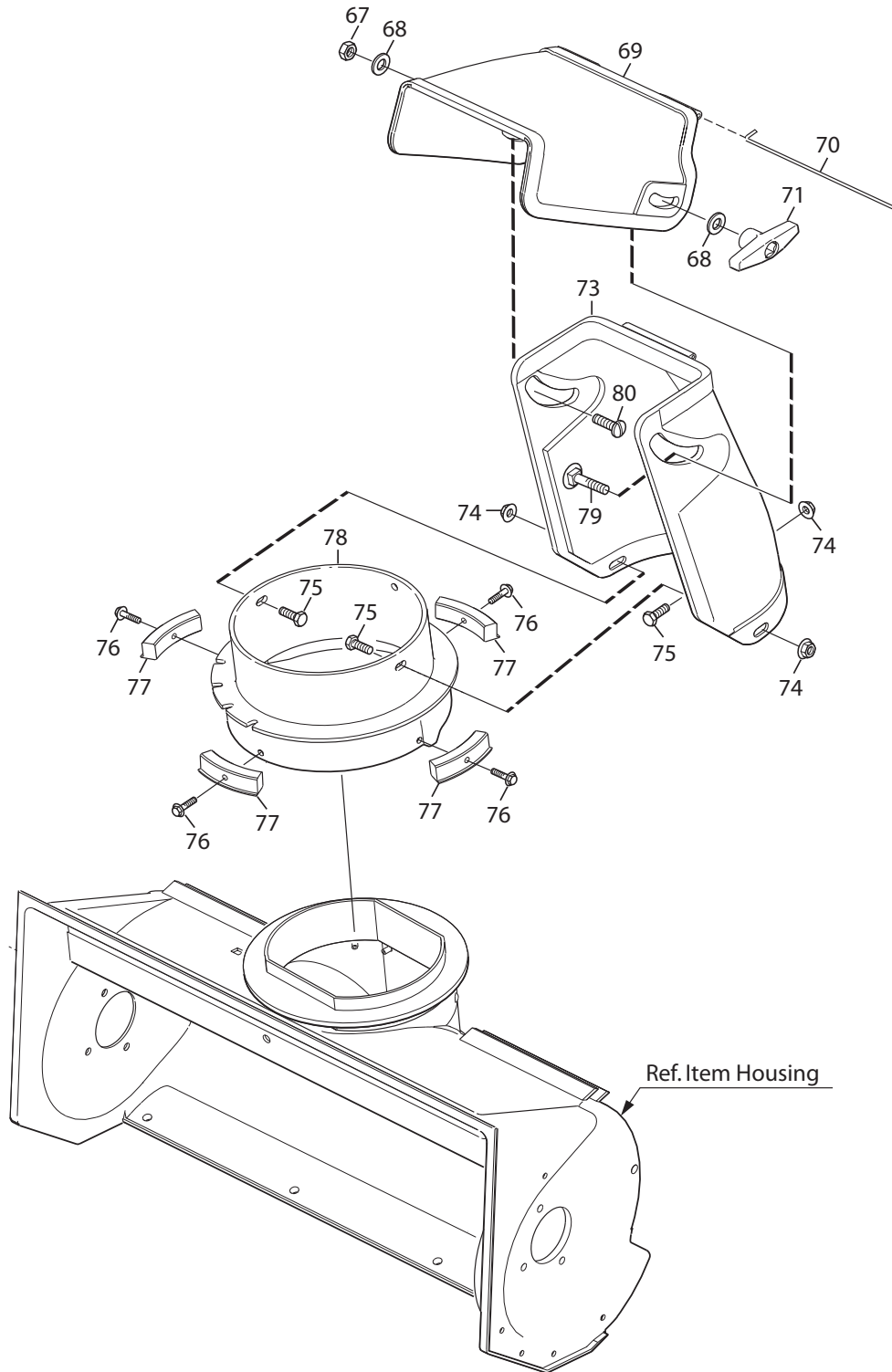
Utgåva Issue 37 - 2017		Motor	Engine		
Pos. Fig.	Antal Q.ty	Art nr Part No	Benämning	Description	Anmärkning Notes
10	1	1811-2887-01	Motor	Engine	
11	2	1811-2888-01	Bricka	Washer	
12	3	1811-2889-01	Bricka	Washer	
13	1	1811-2890-01	Skruv	Screw	
14	2	1811-2891-01	Remstyrning	Belt Guide	
15	1	1811-2892-01	Bult	Bolt	
16	1	1811-2893-01	Motorremskiva	Engine Pulley	
17	1	1811-2894-01	Skruv	Screw	
18	1	1811-2895-01	Kilrem	V-Belt	
19	1	1811-2896-01	Mutter	Nut	
20	1	1811-2897-01	Kullager	Ball Bearing	
21	1	1811-2898-01	Spännarm	Tension Arm	
22	1	1811-2899-01	Skruv	Screw	
23	1	1811-2900-01	Fjäder	Spring	
24	3	1811-2901-01	Mutter	Nut	
25	1	1811-2902-01	Bult	Bolt	
260	1	1811-2903-01	Bricka	Washer	
261	1	1811-2904-01	Motorfäste	Engine Bracket	
262	2	9959-0816-16	Skruv	Screw	
263	2	9959-0820-16	Skruv	Screw	



Utgåva Issue 37 - 2017		Ram Frame			
Pos. Fig.	Antal Q.ty	Art nr Part No	Benämning	Description	Anmärkning Notes
25	1	1811-2905-02	Styre-nedre	Handle-lower	
26	9	1811-2906-01	Skruv	Screw	
27	9	1811-2907-01	Bricka	Washer	
28	1	1811-2908-02	Kåpa	Cover	
30	3	1811-2909-01	Nit	Rivet	
31	1	1811-2910-01	Sidokåpa	Cover-side	
32	4	1811-2911-01	Mutter	Nut	
37	1	1811-2912-01	Tätning	Seal Strip	
38	2	1811-2913-01	Tätning	Seal	
39	5	1811-2914-11	Clips	Clips	
40	1	1811-2915-11	Clips	Clips	
41	6	9747-0631-02	Mutter Loc-King	Lock Nut	
42	6	9997-0512-16	Skruv	Screw	
44	4	1811-2916-01	Skruv	Screw	
45	4	1811-2917-01	Bricka	Washer	
46	1	1811-2918-02	Båttenkåpa	Cover	
47	1	1811-2919-01	Skruv	Screw	

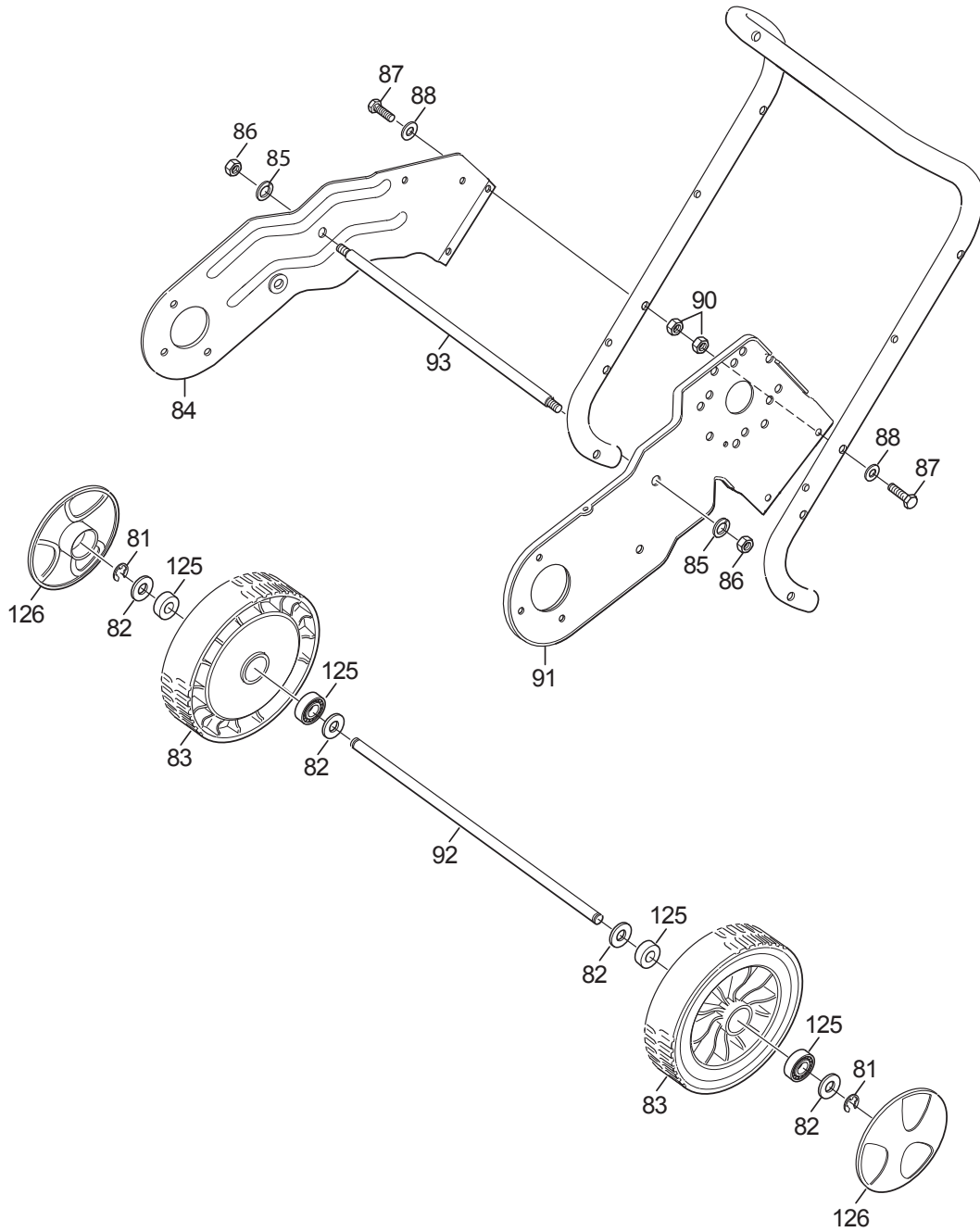


Utgåva Issue 37 - 2017		Inmatningshus Auger housing			
Pos. Fig.	Antal Q.ty	Art nr Part No	Benämning	Description	Anmärkning Notes
48	6	1811-2920-01	Skruv	Screw	
49	8	1811-2907-01	Bricka	Washer	
50	1	1811-2921-01	Lagerhållare	Bearing Flange	
51	6	1811-2911-01	Mutter	Nut	
52	4	1811-2922-01	Mutter	Nut	
53	2	1811-2923-02	Inmatningshus	Auger Housing	
54	3	1811-2924-01	Skruv	Screw	
55	1	1811-2925-01	Fäste	Bracket	
56	1	1811-2926-01	Lager	Bearing	
57	1	1811-2927-01	Lagerhållare	Bearing Flange	
58	1	1811-2928-01	Remskiva	Pulley	
59	1	1811-2928-01	Remskiva	Pulley	
60	3	1811-2930-01	Nit	Rivet	
61	2	1811-2931-01	Stöd	Support	
62	1	1811-2932-01	Snöskruv	Auger	
63	6	1811-2933-01	Nit	Rivet	
64	1	1811-2934-01	Fäste	Bracket	
66	1	1811-2935-01	Skär-snöskruv	Blade-Auger	

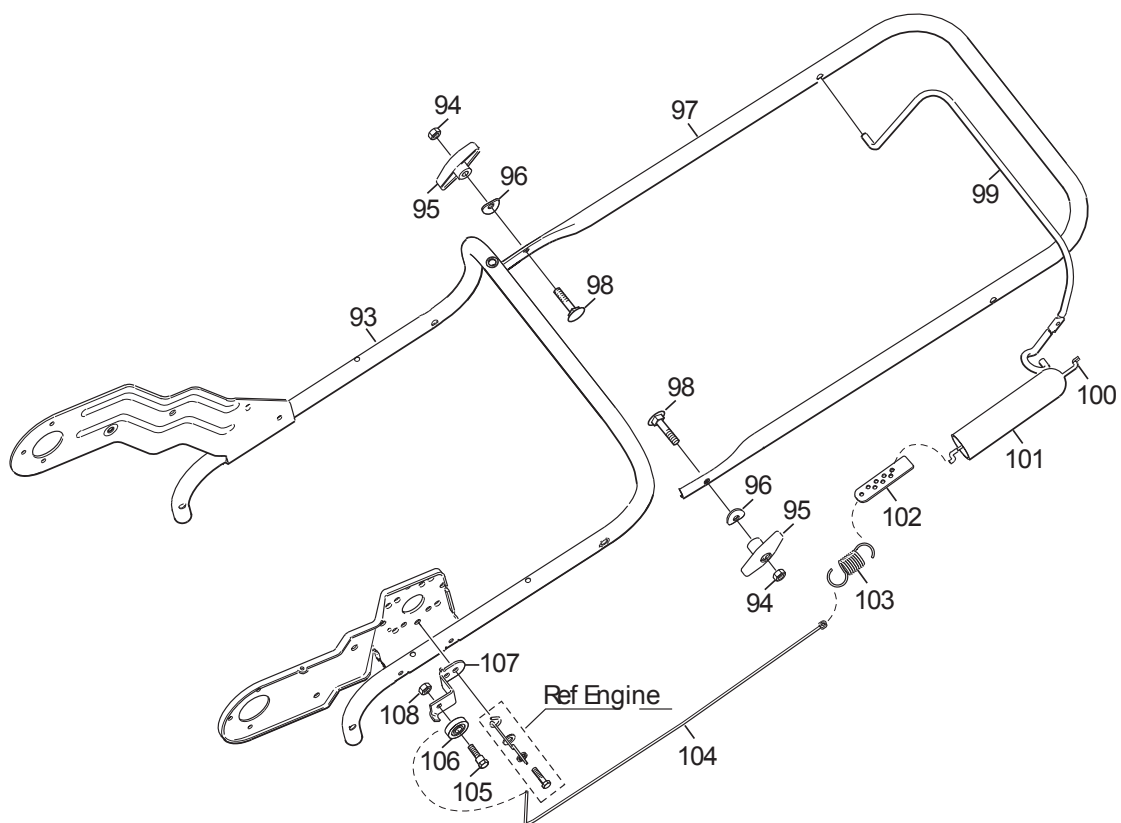




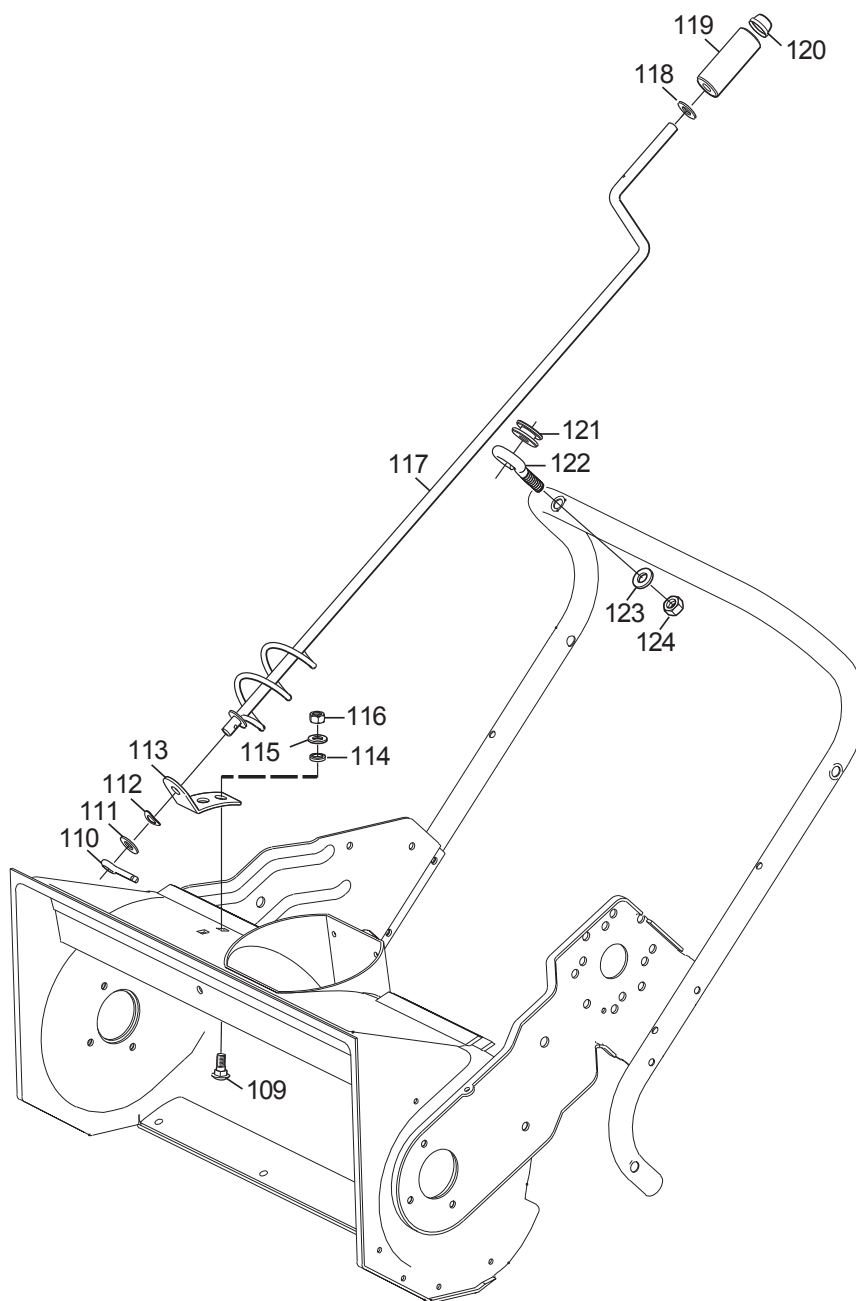
Utgåva Issue 37 - 2017		Utkast Discharge case			
Pos. Fig.	Antal Q.ty	Art nr Part No	Benämning	Description	Anmärkning Notes
67	1	1811-2936-01	Mutter	Nut	
68	2	1811-2888-01	Bricka	Washer	
69	1	1811-2937-02	S.P.	S.P.	
70	1	1811-2938-01	Stag	Stay	
71	1	1811-2939-01	Handtagsknopp	Knob	
73	1	1811-2940-02	S.P.	S.P.	
74	3	1811-2922-01	Mutter	Nut	
75	3	1811-2919-01	Skruv	Screw	
76	4	1811-2940-01	Skruv	Screw	
77	4	1811-2941-01	Styrning	Guide	
78	1	1811-2942-01	Chute Ring	Chute Ring	
79	1	1811-2943-01	Skruv	Screw	
80	1	1811-2944-01	Skruv	Screw	



Utgåva Issue 37 - 2017		Hjul Wheel			
Pos. Fig.	Antal Q.ty	Art nr Part No	Benämning	Description	Anmärkning Notes
81	2	1811-2945-01	Circlip	Circlip	
82	4	1811-2946-01	Bricka	Washer	
83	2	1811-2947-01	Hjul	Wheel	
84	1	1811-2948-01	Sidoram-Hö	Side Frame-Rh	
85	2	1811-2949-01	Bricka	Washer	
86	2	1811-2950-01	Mutter	Nut	
87	4	1811-2916-01	Skruv	Screw	
88	4	1811-2907-01	Bricka	Washer	
90	4	1811-2911-01	Mutter	Nut	
91	1	1811-2951-01	Sidoram-Vä	Side Frame-Lh	
92	1	1811-2952-01	Hjulaxel	Wheel Shaft	
93	1	1811-2953-01	Stöd	Support	
125	2	1811-2954-01	Kullager	Ball Bearing	
126	2	1811-2955-01	Navkapsel	Hub cap	



Utgåva Issue 37 - 2017		Styre	Handle		
Pos. Fig.	Antal Q.ty	Art nr Part No	Benämning	Description	Anmärkning Notes
93	1	1811-2905-02	Styre-nedre	Handle-lower	
94	2	1811-2956-01	Mutter	Nut	
95	2	1811-2939-01	Handtagsknopp	Knob	
96	2	1811-2957-01	Bricka	Washer	
97	1	1811-2958-02	S.P.	S.P.	
98	2	1811-2959-01	Bult	Bolt	
99	1	1811-2960-01	Control Handle, Upper	Control Handle, Upper	
100	1	1811-2961-01	Reglagewire	Control Cable	
101	1	1811-2962-01	Kapa	Cover	
102	1	1811-2963-01	Vinkelfäste	Bracket	
103	1	1811-2964-01	Fjäder	Spring	
104	1	1811-2965-01	Reglagewire	Control Cable	
105	1	1811-2966-01	Bult	Bolt	
106	1	1811-2967-01	Linhjul	Linhjul	
107	1	1811-2968-01	Remskiva	Pulley	
108	1	1811-2911-01	Mutter	Nut	



Utgåva Issue 37 - 2017		Utkastrotation Chute rotation			
Pos. Fig.	Antal Q.ty	Art nr Part No	Benämning	Description	Anmärkning Notes
109	2	1811-2969-01	Skruv	Screw	
110	1	1811-2970-01	Lasnal	Cotter Pin	
111	1	1811-2971-01	Bricka	Washer	
112	1	1811-2972-01	Bricka	Washer	
113	1	1811-2973-01	Vinkelfäste	Bracket	
114	2	1811-2888-01	Bricka	Washer	
115	2	1811-2889-01	Bricka	Washer	
116	2	1811-2956-01	Mutter	Nut	
117	1	1811-2974-01	Stang	Rod	
118	1	1811-2971-01	Bricka	Washer	
119	1	1811-2975-01	Handtagsknopp	Knob	
120	1	1811-2976-01	Mutter	Nut	
121	1	1811-2977-01	Gummihylsa	Grommet	
122	1	1811-2978-01	Eye bolt	Eye bolt	
123	1	1811-2979-01	Bricka	Washer	
124	1	1811-2980-01	Mutter	Nut	

code	pos.	q.ty	page				
1811-2887-01	10	1	p. 3	1811-2940-01	76	4	p. 9
1811-2888-01	11	2	p. 3	1811-2940-02	73	1	p. 9
1811-2888-01	68	2	p. 9	1811-2941-01	77	4	p. 9
1811-2888-01	114	2	p. 15	1811-2942-01	78	1	p. 9
1811-2889-01	12	3	p. 3	1811-2943-01	79	1	p. 9
1811-2889-01	115	2	p. 15	1811-2944-01	80	1	p. 9
1811-2890-01	13	1	p. 3	1811-2945-01	81	2	p. 11
1811-2891-01	14	2	p. 3	1811-2946-01	82	4	p. 11
1811-2892-01	15	1	p. 3	1811-2947-01	83	2	p. 11
1811-2893-01	16	1	p. 3	1811-2948-01	84	1	p. 11
1811-2894-01	17	1	p. 3	1811-2949-01	85	2	p. 11
1811-2895-01	18	1	p. 3	1811-2950-01	86	2	p. 11
1811-2896-01	19	1	p. 3	1811-2951-01	91	1	p. 11
1811-2897-01	20	1	p. 3	1811-2952-01	92	1	p. 11
1811-2898-01	21	1	p. 3	1811-2953-01	93	1	p. 11
1811-2899-01	22	1	p. 3	1811-2954-01	125	2	p. 11
1811-2900-01	23	1	p. 3	1811-2955-01	126	2	p. 11
1811-2901-01	24	3	p. 3	1811-2956-01	94	2	p. 13
1811-2902-01	25	1	p. 3	1811-2956-01	116	2	p. 15
1811-2903-01	260	1	p. 3	1811-2957-01	96	2	p. 13
1811-2904-01	261	1	p. 3	1811-2958-02	97	1	p. 13
1811-2905-02	25	1	p. 5	1811-2959-01	98	2	p. 13
1811-2905-02	93	1	p. 13	1811-2960-01	99	1	p. 13
1811-2906-01	26	9	p. 5	1811-2961-01	100	1	p. 13
1811-2907-01	27	9	p. 5	1811-2962-01	101	1	p. 13
1811-2907-01	49	8	p. 7	1811-2963-01	102	1	p. 13
1811-2907-01	88	4	p. 11	1811-2964-01	103	1	p. 13
1811-2908-02	28	1	p. 5	1811-2965-01	104	1	p. 13
1811-2909-01	30	3	p. 5	1811-2966-01	105	1	p. 13
1811-2910-01	31	1	p. 5	1811-2967-01	106	1	p. 13
1811-2911-01	32	4	p. 5	1811-2968-01	107	1	p. 13
1811-2911-01	51	6	p. 7	1811-2969-01	109	2	p. 15
1811-2911-01	90	4	p. 11	1811-2970-01	110	1	p. 15
1811-2911-01	108	1	p. 13	1811-2971-01	111	1	p. 15
1811-2912-01	37	1	p. 5	1811-2971-01	118	1	p. 15
1811-2913-01	38	2	p. 5	1811-2972-01	112	1	p. 15
1811-2914-11	39	5	p. 5	1811-2973-01	113	1	p. 15
1811-2915-11	40	1	p. 5	1811-2974-01	117	1	p. 15
1811-2916-01	44	4	p. 5	1811-2975-01	119	1	p. 15
1811-2916-01	87	4	p. 11	1811-2976-01	120	1	p. 15
1811-2917-01	45	4	p. 5	1811-2977-01	121	1	p. 15
1811-2918-02	46	1	p. 5	1811-2978-01	122	1	p. 15
1811-2919-01	47	1	p. 5	1811-2979-01	123	1	p. 15
1811-2919-01	75	3	p. 9	1811-2980-01	124	1	p. 15
1811-2920-01	48	6	p. 7	9747-0631-02	41	6	p. 5
1811-2921-01	50	1	p. 7	9959-0816-16	262	2	p. 3
1811-2922-01	52	4	p. 7	9959-0820-16	263	2	p. 3
1811-2922-01	74	3	p. 9	9997-0512-16	42	6	p. 5
1811-2923-02	53	2	p. 7				
1811-2924-01	54	3	p. 7				
1811-2925-01	55	1	p. 7				
1811-2926-01	56	1	p. 7				
1811-2927-01	57	1	p. 7				
1811-2928-01	58	1	p. 7				
1811-2928-01	59	1	p. 7				
1811-2930-01	60	3	p. 7				
1811-2931-01	61	2	p. 7				
1811-2932-01	62	1	p. 7				
1811-2933-01	63	6	p. 7				
1811-2934-01	64	1	p. 7				
1811-2935-01	66	1	p. 7				
1811-2936-01	67	1	p. 9				
1811-2937-02	69	1	p. 9				
1811-2938-01	70	1	p. 9				
1811-2939-01	71	1	p. 9				
1811-2939-01	95	2	p. 13				