



Reservdelskatalog Parts Catalogue

ST 3262 PB

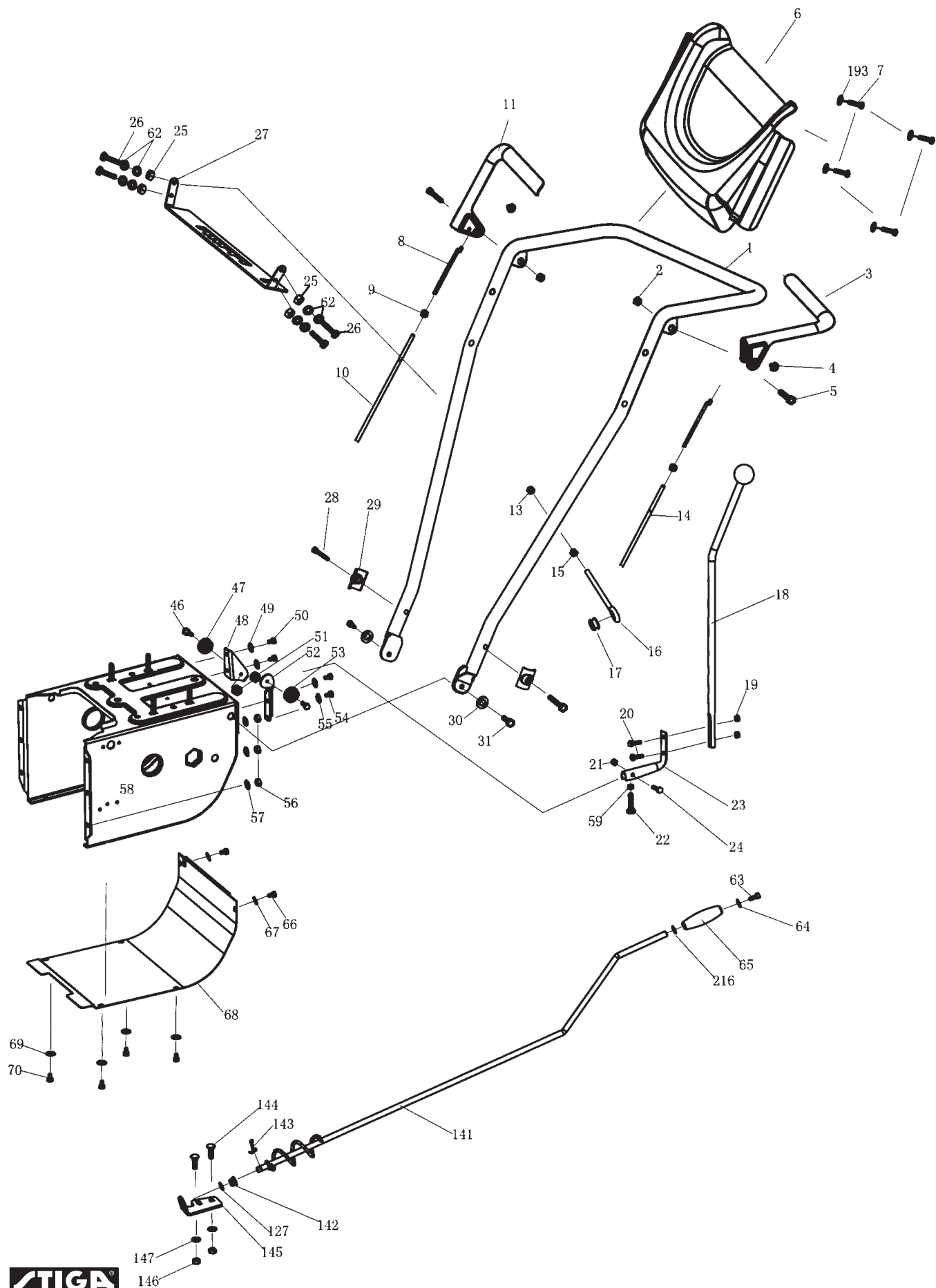
18-2871-12 - Season 2017

- Use GLOBAL GARDEN PRODUCT Genuine Spare Parts specified in the parts list for repair and/or replacement.
 - The contents described in the parts list may change due to improvement.
 - The drawings of the spare parts are only indicative and might not represent the part in question exactly.
 - The indications "right" - "left" - "front" - "rear" refer to the position of the operator when using the machine.
- When placing orders of parts for repair and/or replacement, make sure that the illustrated parts list is the one applying to the machine's year of manufacture, as shown on the identification plate attached to the machine.

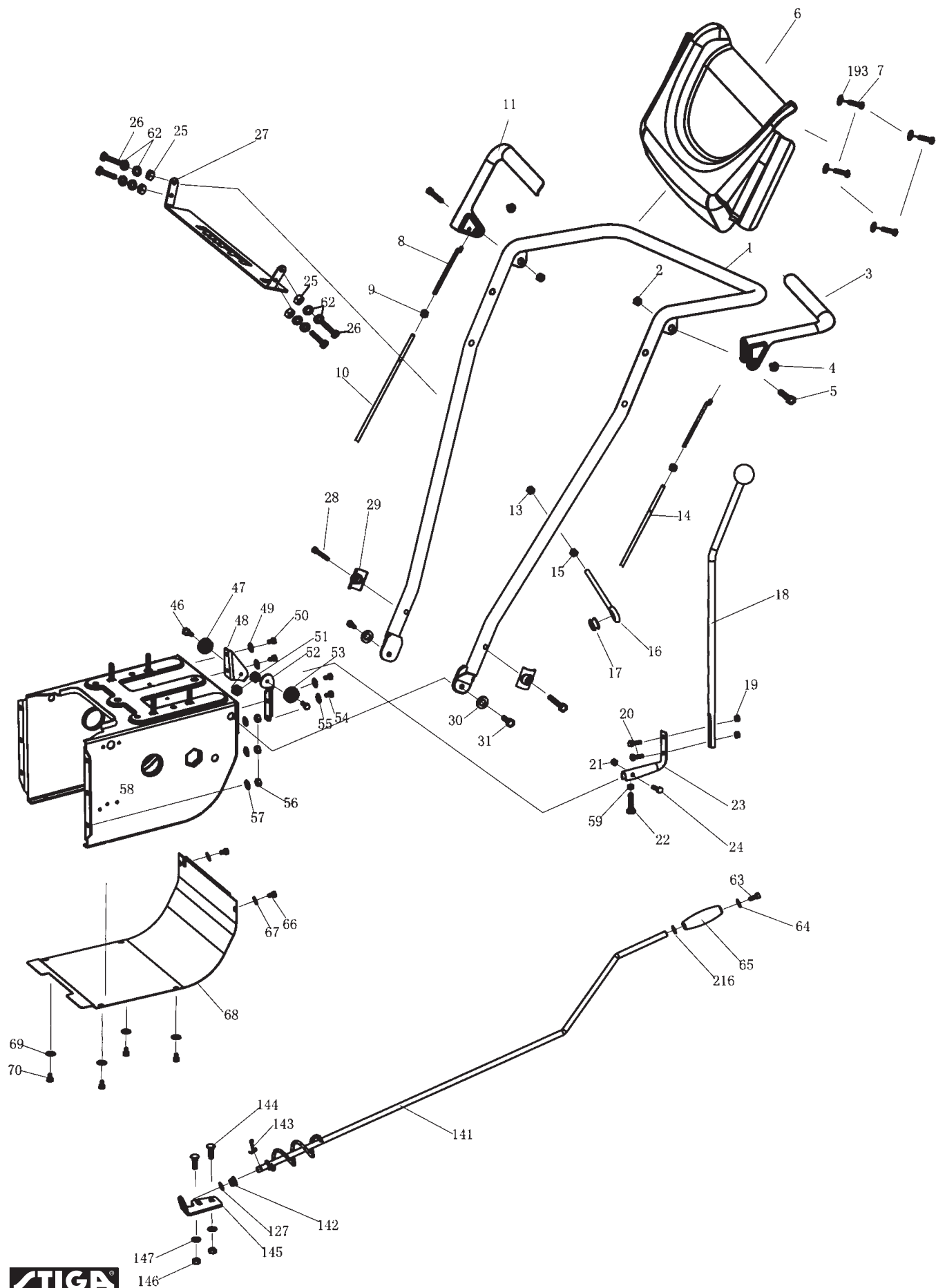
© Copyright 2017 Global Garden Products

All rights reserved. No part of this material may be reproduced or transmitted, in any form or by any means, electronic or mechanical, including photocopying, recording or by any information storage and retrieval system, without permission in writing from GLOBAL GARDEN PRODUCTS.

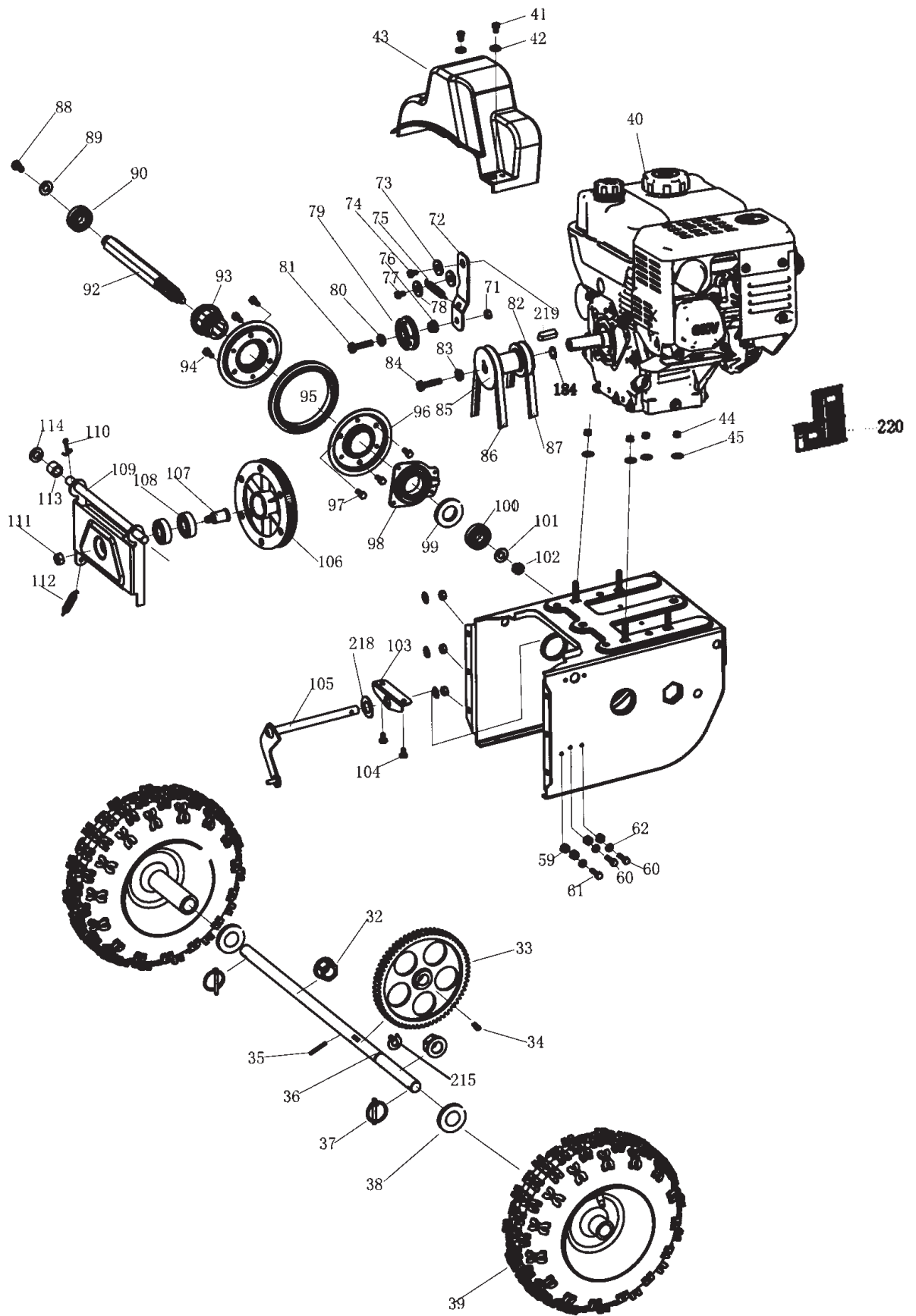
www.stiga.com



| Utgåva Issue | Bildnr Picture No | SNOW CRYSTAL ES STYRE REGLAGE | SNOW CRYSTAL ES HANDLE CONTROLS | Sida Page | | | | | |
|-----------------|----------------------|-------------------------------------|---------------------------------------|------------------------|-------------------|--------------|-------------|-------------|---------------------|
| Pos. Fig. | Antal/Quantity | | | | Art nr Part No | Benämning | Description | Sats Kit | Anmärkning Notes |
| | 2804 -32 | | | | | | | | |
| 1 | 1 | 1811-2557-01 | Styre..... | Handle..... | | | | | |
| 2 | 2 | 9747-0831-02 | Mutter..... | Lock nut..... | | | | | |
| 3 | 1 | 1811-2567-01 | Inkoppl.handtag-vä..... | Clutch handle-LH..... | | | | | |
| 4 | 2 | 1811-2472-01 | Gummiskydd..... | Rubber cap..... | | | | | |
| 5 | 2 | 9997-0845-12 | Skruv..... | Screw..... | | | | | |
| 6 | 1 | 1811-2570-01 | Panel-gul..... | Dashboard-yellow..... | | | | | |
| 7 | 4 | 1811-2400-01 | Skruv..... | Screw..... | | | | | |
| 8 | 2 | 1811-2458-01 | Justerstång..... | Adjustment rod..... | | | | | |
| 9 | 2 | 9799-0531-02 | Mutter..... | Nut..... | | | | | |
| 10 | 1 | 1811-2585-01 | Reglagewire..... | Control cable..... | | L = 105 cm | | | |
| 11 | 1 | 1811-2566-01 | Inkoppl.handtag-hö..... | Clutch handle-RH..... | | | | | |
| 13 | 1 | 9747-0831-02 | Mutter..... | Lock nut..... | | | | | |
| 14 | 1 | 1811-2587-01 | Reglagewire..... | Control cable..... | | L = 117,5 cm | | | |
| 15 | 1 | 9787-0831-32 | Mutter..... | Nut..... | | | | | |
| 16 | 1 | 1811-2468-01 | Ögla..... | Eye bolt..... | | | | | |
| 17 | 1 | 1811-2469-01 | Gummihylsa..... | Rubber sleeve..... | | | | | |
| 18 | 1 | 1811-2563-01 | Växelspak..... | Gear lever..... | | | | | |
| 19 | 2 | 9739-0631-22 | Mutter..... | Nut..... | | | | | |
| 20 | 2 | 9997-0620-16 | Skruv..... | Screw..... | | | | | |
| 21 | 1 | 9739-0631-22 | Mutter..... | Nut..... | | | | | |
| 22 | 1 | 9997-0620-16 | Skruv..... | Screw..... | | | | | |
| 23 | 1 | 1811-2482-01 | Växelarm..... | Gear rod..... | | | | | |
| 24 | 1 | 9997-0625-16 | Skruv..... | Screw..... | | | | | |
| 25 | 4 | 9747-0631-02 | Låsmutter..... | Lock nut..... | | | | | |
| 26 | 4 | 9997-0635-12 | Skruv..... | Screw..... | | | | | |
| 27 | 1 | 1811-2565-01 | Växellägesplåt..... | Gear select plate..... | | | | | |
| 28 | 2 | 9997-0840-16 | Skruv..... | Screw..... | | | | | |
| 29 | 2 | 1811-2453-01 | Styresbricka..... | Handle washer..... | | | | | |
| 30 | 2 | 9699-0062-02 | Planbricka..... | Flat washer..... | | | | | |
| 31 | 2 | 9997-0820-16 | Skruv..... | Screw..... | | | | | |
| 46 | 2 | 1811-2476-01 | Ansatsbult..... | Shoulder bolt..... | | | | | |
| 47 | 1 | 1811-2440-01 | Wirerulle..... | Wire pulley..... | | | | | |
| 48 | 1 | 1811-2439-01 | Fäste-gul..... | Bracket-yellow..... | | | | | |
| 49 | 2 | 9699-0025-02 | Planbricka..... | Washer..... | | | | | |
| 50 | 2 | 9997-0612-16 | Skruv..... | Screw..... | | | | | |
| 51 | 2 | 9739-0631-22 | Mutter..... | Nut..... | | | | | |
| 52 | 1 | 1811-2437-01 | Fäste-gul..... | Bracket-yellow..... | | | | | |
| 53 | 1 | 1811-2440-01 | Wirerulle..... | Wire pulley..... | | | | | |
| 54 | 2 | 9997-0612-16 | Skruv..... | Screw..... | | | | | |
| 55 | 2 | 9699-0025-02 | Planbricka..... | Washer..... | | | | | |
| 56 | 6 | 9747-0831-02 | Mutter..... | Lock nut..... | | | | | |
| 57 | 6 | 9699-0028-02 | Planbricka..... | Flat washer..... | | | | | |
| 58 | 1 | 1811-2588-01 | Chassi..... | Chassis..... | | | | | |
| 59 | 1 | 9747-0631-02 | Låsmutter..... | Lock nut..... | | | | | |
| 62 | 8 | 9699-0025-02 | Planbricka..... | Washer..... | | | | | |
| 63 | 1 | 9997-0610-16 | Skruv..... | Screw..... | | | | | |
| 64 | 1 | 9699-0025-02 | Planbricka..... | Washer..... | | | | | |
| 65 | 1 | 1811-2442-01 | Handtag..... | Grip..... | | | | | |
| 66 | 2 | 9997-0610-16 | Skruv..... | Screw..... | | | | | |
| 67 | 2 | 9699-0025-02 | Planbricka..... | Washer..... | | | | | |
| 68 | 1 | 1811-2486-01 | Bottenplåt-gul..... | Bottom plate-yell..... | | | | | |
| 69 | 4 | 9699-0025-02 | Planbricka..... | Washer..... | | | | | |
| 70 | 4 | 9997-0610-16 | Skruv..... | Screw..... | | | | | |
| 127 | 1 | 9699-0035-02 | Planbricka..... | Flat washer..... | | | | | |
| 141 | 1 | 1811-2467-01 | Inställningsvev..... | Crank..... | | | | | |
| 142 | 1 | 1811-2431-01 | Bussning..... | Bushing..... | | | | | |
| 143 | 1 | 9599-0054-02 | Saxpinne..... | Cotter pin..... | | | | | |
| 144 | 2 | 9898-0820-16 | Skruv..... | Screw..... | | | | | |
| 145 | 1 | 1811-2430-01 | Fäste-gul..... | Bracket-yellow..... | | | | | |
| 146 | 2 | 9747-0831-02 | Mutter..... | Lock nut..... | | | | | |
| 147 | 2 | 9699-0056-02 | Planbricka..... | Flat washer..... | | | | | |



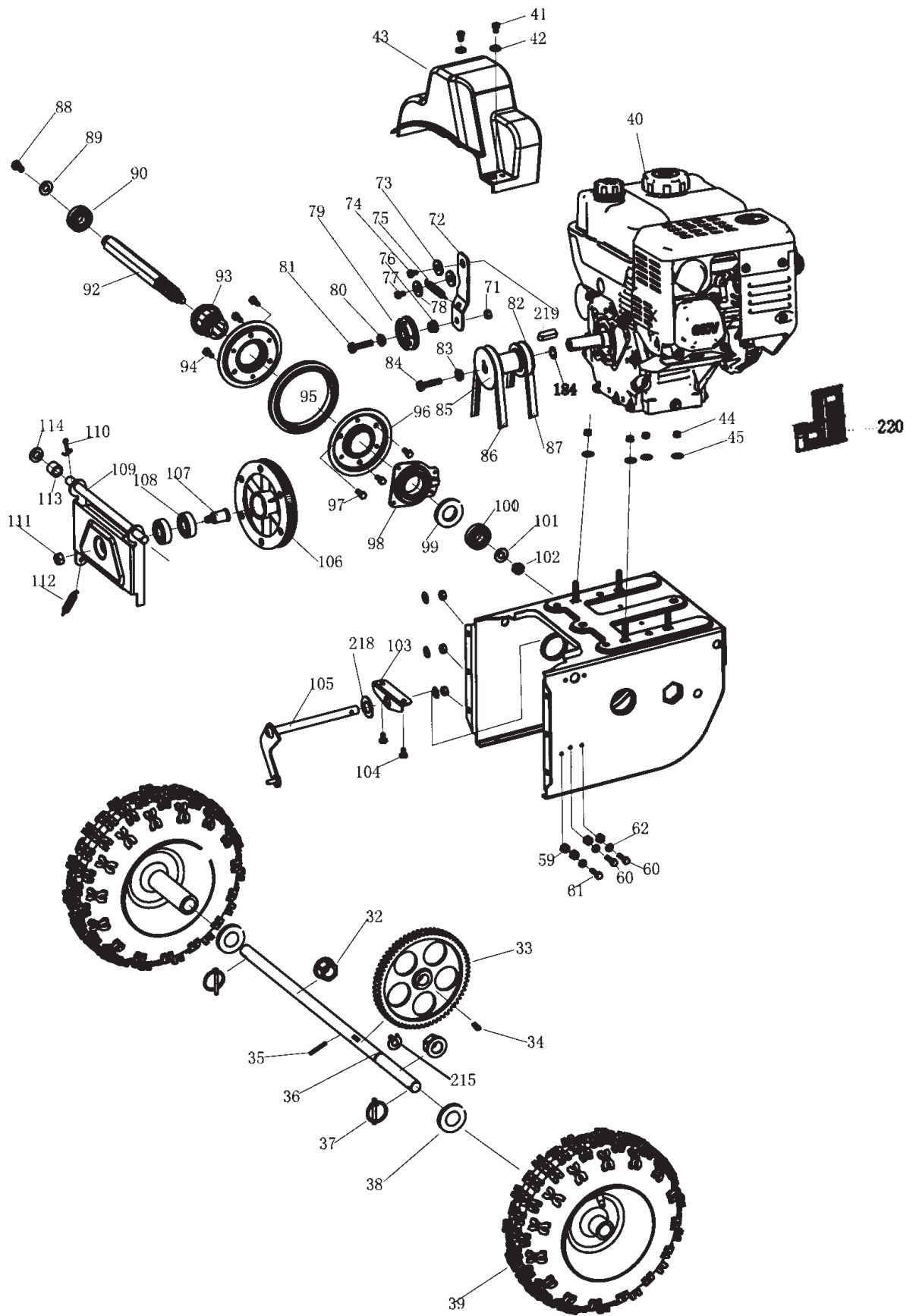
| Utgåva Issue 2014-14 | | Bildnr Picture No 2171B | | SNOW CRYSTAL ES STYRE REGLAGE | | SNOW CRYSTAL ES HANDLE CONTROLS | | Sida Page 4 | |
|----------------------------|----------------|-------------------------------|--|-------------------------------------|-------------------|---------------------------------------|----------------------|-------------------|---------------------|
| Pos. Fig. | Antal/Quantity | | | | Art nr Part No | Benämning | Description | Sats Kit | Anmärkning Notes |
| | 2804 | | | | | | | | |
| X | 193 | 4 | | | 9699-0072-02 | Bricka | Washer..... | | Ej ill/not ill. |
| | 216 | 1 | | | 9699-0029-02 | Planbricka..... | Flat washer | | |
| | 999 | 1 | | | 8218-2254-10 | Bruksanvisning..... | Owner's manual | | |



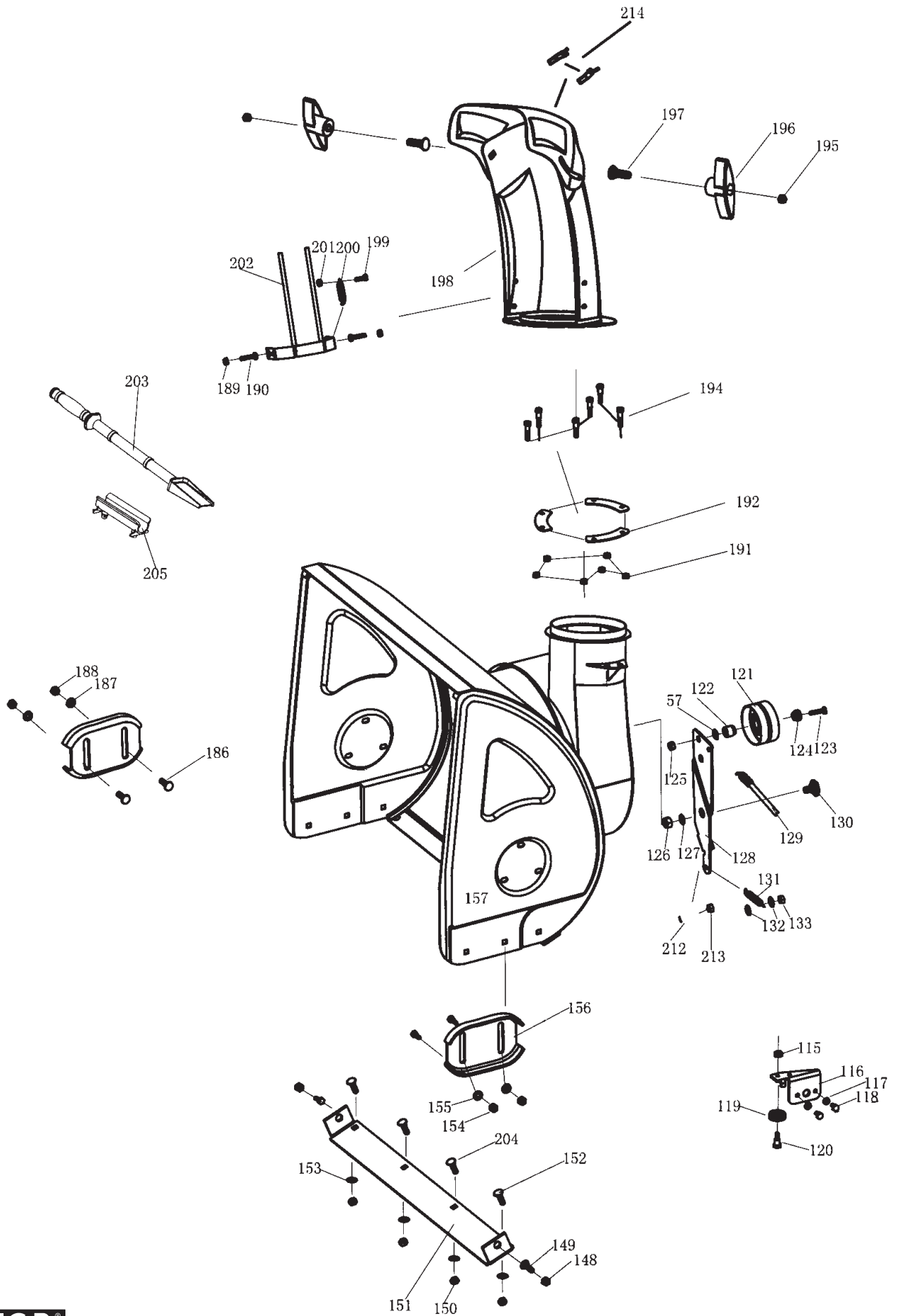
| Utgåva Issue 2010-14 | | Bildnr Picture No 2172B | | SNOW CRYSTAL ES TRANSMISSION | | SNOW CRYSTAL ES TRANSMISSION | | Sida Page 6 | |
|----------------------------|----------------|-------------------------------|--|---------------------------------|-------------------|---------------------------------|----------------------------|-------------------|---------------------|
| Pos. Fig. | Antal/Quantity | | | | Art nr Part No | Benämning | Description | Sats Kit | Anmärkning Notes |
| | 2804 | -32 | | | | | | | |
| | 32 | 2 | | | 1811-2452-01 | Hjulaxelbussning | Wheel shaft bushing..... | | |
| | 33 | 1 | | | 1811-2421-01 | Drev | Gear | | |
| | 34 | 2 | | | 1811-2406-01 | Kil | Key | | |
| | 35 | 1 | | | 9595-0212-00 | Spännstift | Locating pin | | |
| | 36 | 1 | | | 1811-2550-01 | Hjulaxel | Wheel shaft | | |
| | 37 | 2 | | | 1811-2478-01 | Fjäderpinne | Spring pin | | |
| | 38 | 2 | | | 1811-2407-01 | Planbricka | Flat washer | | |
| | 39 | 2 | | | 1811-2541-01 | Hjul kpl | Wheel assy | | |
| | 40 | 1 | | | 118550657/0 | Motor kpl | Engine compl. | | |
| | 41 | 2 | | | 9997-0610-16 | Skruv | Screw | | |
| | 42 | 2 | | | 9699-0025-02 | Planbricka | Washer | | |
| | 43 | 1 | | | 1811-2455-01 | Remskydd | Belt cover | | |
| | 44 | 4 | | | 9747-0831-02 | Mutter | Lock nut | | |
| | 45 | 4 | | | 9699-0028-02 | Planbricka | Flat washer | | |
| | 59 | 3 | | | 9747-0631-02 | Låsmutter | Lock nut | | |
| | 60 | 2 | | | 9997-0630-12 | Skruv | Screw | | |
| | 61 | 1 | | | 9997-0620-16 | Skruv | Screw | | |
| | 62 | 3 | | | 9699-0025-02 | Planbricka | Washer | | |
| | 71 | 1 | | | 9747-0631-02 | Låsmutter | Lock nut | | |
| | 72 | 1 | | | 1811-2470-01 | Spännarm | Tension arm | | |
| | 73 | 1 | | | 1811-2559-01 | Spännarmsbricka | Tension washer | | |
| | 74 | 1 | | | 9997-0820-16 | Skruv | Screw | | |
| | 75 | 1 | | | 1811-2555-01 | Fjäder | Spring | | |
| | 76 | 1 | | | 1811-2575-01 | Bricka | Washer | | |
| | 77 | 1 | | | 9997-0812-16 | Skruv | Screw | | |
| | 78 | 2 | | | 9699-0028-02 | Planbricka | Flat washer | | |
| X | 79 | 1 | | | 1811-2593-01 | Spännrulle kpl | Tension pulley | | |
| | 80 | 1 | | | 1811-2427-01 | Bricka | Washer | | |
| | 81 | 1 | | | 9997-0830-16 | Skruv | Screw | | |
| | 82 | 1 | | | 1811-2473-01 | Remskiva | Belt pulley | | |
| | 83 | 1 | | | 1811-2542-01 | Planbricka | Plain cushion | | |
| | 84 | 1 | | | 9987-5125-16 | Skruv | Screw | | |
| | 85 | 1 | | | 1811-2560-01 | Remskiva | Main belt pulley | | |
| X | 86 | 1 | | | 1811-2578-01 | Drivrem | Belt | | |
| | 87 | 1 | | | 1811-2410-01 | Drivrem | Belt | | |
| | 88 | 1 | | | 9997-0816-16 | Skruv | Screw | | |
| | 89 | 3 | | | 9699-0122-02 | Bricka | Washer | | |
| | 90 | 1 | | | 1811-2411-01 | Lager | Bearing | | |
| | 92 | 1 | | | 1811-2423-01 | Sexkantsaxel | Hex shaft | | |
| | 93 | 1 | | | 1811-2435-01 | Nav | Hub | | |
| | 94 | 3 | | | 9997-0612-16 | Skruv | Screw | | |
| X | 95 | 1 | | | 1811-2584-01 | Friktionsring | Friction ring | | |
| | 96 | 2 | | | 1811-2433-01 | Friktionshjul | Friction wheel | | |
| | 97 | 3 | | | 9997-0612-16 | Skruv | Screw | | |
| | 98 | 1 | | | 1811-2434-01 | Växelförare | Gear selector hub | | |
| | 99 | 1 | | | 1811-2412-01 | Låsring | Lock ring | | |
| | 100 | 1 | | | 1811-2413-01 | Lager | Bearing | | |
| | 101 | 1 | | | 9699-0035-02 | Planbricka | Flat washer | | |
| | 102 | 1 | | | 9747-1031-02 | Låsmutter | Lock nut | | |
| | 103 | 1 | | | 1811-2420-01 | Fäste | Bracket | | |
| | 104 | 2 | | | 9997-0610-16 | Skruv | Screw | | |
| | 105 | 1 | | | 1811-2465-01 | Växelförararm | Gear lever | | |
| | 106 | 1 | | | 1811-2428-01 | Drivskiva | Drive pulley | | |
| | 107 | 1 | | | 1811-2429-01 | Axeltapp | Shaft | | |
| | 108 | 2 | | | 1811-2414-01 | Lager | Bearing | | |
| | 109 | 1 | | | 1811-2424-01 | Fäste-drivskiva | Bracket-drive pulley | | |
| | 110 | 1 | | | 9599-0054-02 | Saxpinne | Cotter pin | | |
| | 111 | 1 | | | 9747-1031-02 | Låsmutter | Lock nut | | |

15"
Electric starter

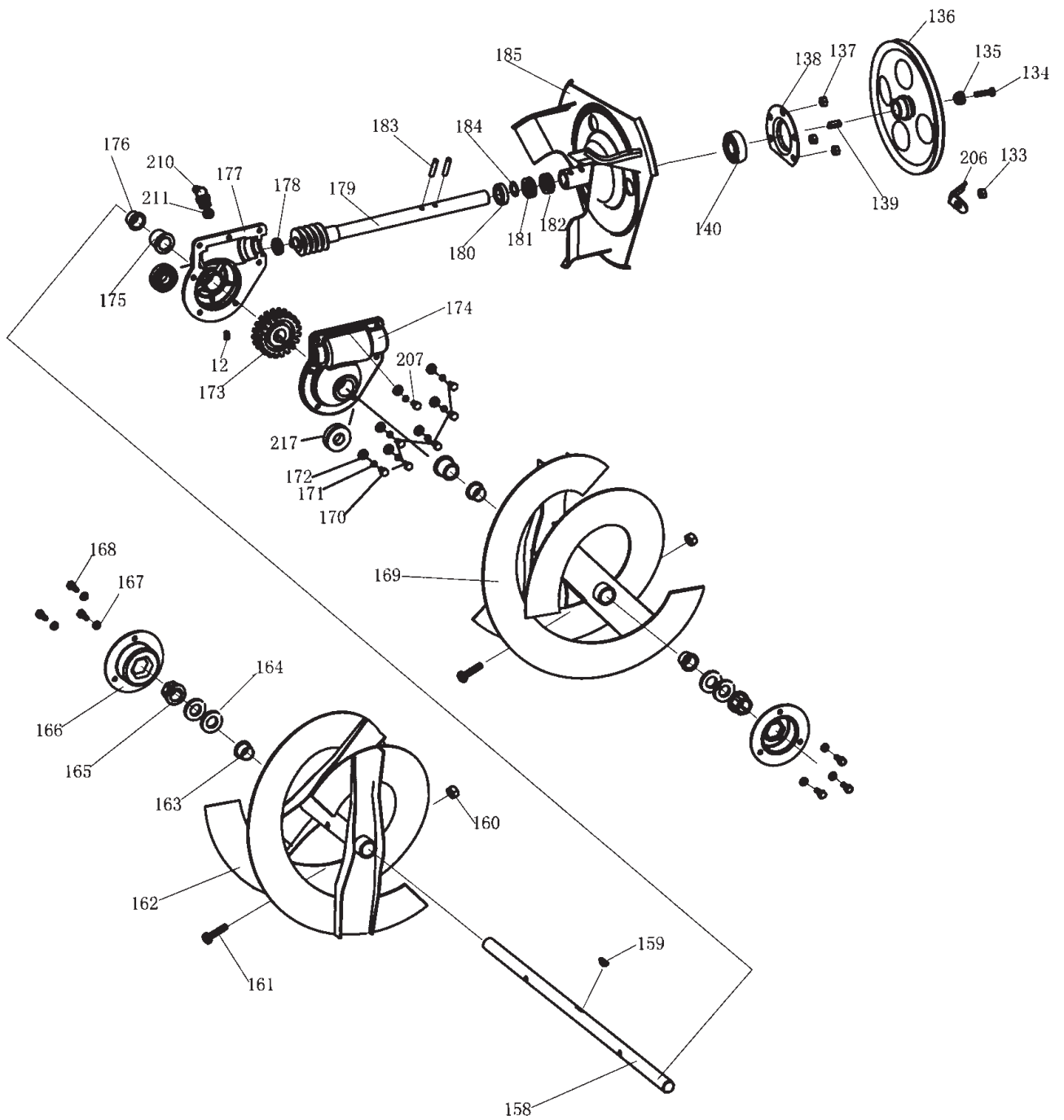
L = 30 mm
L = 20 mm



| Utgåva Issue 2010-14 | | Bildnr Picture No 2172B | | SNOW CRYSTAL ES TRANSMISSION | | SNOW CRYSTAL ES TRANSMISSION | | Sida Page 8 | |
|----------------------------|----------------|-------------------------------|--|---------------------------------|-------------------|---------------------------------|--------------------|-------------------|---------------------|
| Pos. Fig. | Antal/Quantity | | | | Art nr Part No | Benämning | Description | Sats Kit | Anmärkning Notes |
| | 2804 | -32 | | | | | | | |
| X | 112 | 1 | | | 1811-2483-01 | Fjäder..... | Spring..... | | |
| | 113 | 1 | | | 1811-2489-01 | Hylsa..... | Collar..... | | |
| | 114 | 1 | | | 9699-0037-02 | Bricka | Washer..... | | |
| | 184 | 1 | | | 1811-2477-01 | Bricka | Washer..... | | |
| | 215 | 1 | | | 9650-0019-04 | Låsring..... | Retainer ring..... | | |
| | 218 | 1 | | | 9699-0037-02 | Bricka | Washer..... | | |
| X | 219 | 1 | | | 1811-2581-01 | Kil..... | Key..... | | |
| X | 220 | 1 | | | 1811-2592-01 | Värmeskydd..... | Heat guard..... | | |



| Utgåva Issue 2010-14 | | Bildnr Picture No 2173B | | SNOW CRYSTAL ES INMATNINGSHUS | | SNOW CRYSTAL ES AUGER HOUSING | | Sida Page 10 | |
|----------------------------|----------------|-------------------------------|--|----------------------------------|-------------------|----------------------------------|-----------------------------|--------------------|---------------------|
| Pos. Fig. | Antal/Quantity | | | | Art nr Part No | Benämning | Description | Sats Kit | Anmärkning Notes |
| | 2804 -32 | 2804 -31 | | | | | | | |
| 57 | 1 | | | | 9699-0028-02 | Planbricka | Flat washer | | |
| 115 | 1 | | | | 9747-0631-02 | Låsmutter | Lock nut | | |
| 116 | 1 | | | | 1811-2438-01 | Fäste-gul | Bracket-yellow | | |
| 117 | 2 | | | | 9699-0025-02 | Planbricka | Washer | | |
| 118 | 2 | | | | 9997-0610-16 | Skruv | Screw | | |
| 119 | 1 | | | | 1811-2440-01 | Wirerulle | Wire pulley | | |
| 120 | 1 | | | | 1811-2476-01 | Ansatsbult | Shoulder bolt | | |
| 121 | 1 | | | | 1811-2425-01 | Spännrulle m.lager | Tension roller w.bear | | |
| 122 | 1 | | | | 1811-2426-01 | Distans | Spacer | | |
| 123 | 1 | | | | 9997-0845-12 | Skruv | Screw | | |
| 124 | 1 | | | | 1811-2427-01 | Bricka | Washer | | |
| 125 | 1 | | | | 9747-0831-02 | Mutter | Lock nut | | |
| 126 | 1 | | | | 9747-1031-02 | Låsmutter | Lock nut | | |
| 127 | 1 | | | | 9699-0035-02 | Planbricka | Flat washer | | |
| 128 | 1 | | | | 1811-2448-01 | Spännarm | Tension arm | | |
| 129 | 1 | | | | 1811-2457-01 | Fjäder | Spring | | |
| 130 | 1 | | | | 1811-2475-01 | Skruv | Screw | | |
| 131 | 1 | | | | 1811-2462-01 | Fjäder | Spring | | |
| 132 | 2 | | | | 9699-0028-02 | Planbricka | Flat washer | | |
| 133 | 1 | | | | 9747-0831-02 | Mutter | Lock nut | | |
| 148 | 2 | | | | 9747-0831-02 | Mutter | Lock nut | | |
| 149 | 2 | | | | 9898-0820-16 | Skruv | Screw | | |
| 150 | 4 | | | | 9747-0831-02 | Mutter | Lock nut | | |
| 151 | 1 | | | | 1811-2549-01 | Skrapskär | Shave plate | | |
| 152 | 2 | | | | 9898-0820-16 | Skruv | Screw | | |
| 153 | 4 | | | | 9699-0056-02 | Planbricka | Flat washer | | |
| 154 | 2 | | | | 9747-0831-02 | Mutter | Lock nut | | |
| 155 | 2 | | | | 9699-0056-02 | Planbricka | Flat washer | | |
| 156 | 2 | | | | 1811-2568-01 | Släpsko | Skid shoe | | |
| X 157 | 1 | | | | 1811-2590-01 | Snöskruvhus | Auger housing | | |
| 186 | 4 | | | | 9898-0820-16 | Skruv | Screw | | |
| 187 | 2 | | | | 9699-0056-02 | Planbricka | Flat washer | | |
| 188 | 2 | | | | 9747-0831-02 | Mutter | Lock nut | | |
| 189 | 2 | | | | 9747-0631-02 | Låsmutter | Lock nut | | |
| 190 | 2 | | | | 9997-0616-16 | Skruv | Screw | | |
| 191 | 6 | | | | 9747-0631-02 | Låsmutter | Lock nut | | |
| 192 | 3 | | | | 1811-2445-01 | Flänsbricka | Chute washer | | |
| 194 | 6 | | | | 1811-2551-01 | Skruv | Screw | | |
| 195 | 2 | | | | 9747-0831-02 | Mutter | Lock nut | | |
| 196 | 2 | | | | 1811-2498-01 | Låsratt | Locking knob | | |
| 197 | 2 | | | | 9898-0825-16 | Skruv | Screw | | |
| 198 | 1 | | | | 1811-2571-01 | Utkaströr | Chute | | |
| 199 | 1 | | | | 9997-0620-16 | Skruv | Screw | | |
| 200 | 1 | | | | 1811-2461-01 | Fjäder | Spring | | |
| 201 | 1 | | | | 9747-0631-02 | Låsmutter | Lock nut | | |
| 202 | 1 | | | | 1811-2432-01 | Utkastskydd | Chute guard | | |
| 203 | 1 | | | | 1811-2500-01 | Rensdon | Cleaner stick | | |
| 204 | 2 | | | | 9898-0820-16 | Skruv | Screw | | |
| 205 | 1 | | | | 1811-2572-01 | Fäste-rendon | Cleaner stick bracket | | |
| 212 | 1 | | | | 1811-2553-01 | Brytbult | Shear bolt | | |
| 213 | 1 | | | | 1811-2546-01 | Låsmutter | Lock nut | | |
| 214 | 2 | | | | 1811-2547-01 | Gummiblock | Rubber block | | |



| Utgåva Issue 2010-14 | | Bildnr Picture No 2174C | | SNOW CRYSTAL ES SNÖSKRUV | | SNOW CRYSTAL ES AUGER | | Sida Page 12 | |
|----------------------------|----------------|-------------------------------|--|-----------------------------|-----------------------|---------------------------|-------------|--------------------|---------------------|
| Pos. Fig. | Antal/Quantity | | | | Art nr Part No | Benämning | Description | Sats Kit | Anmärkning Notes |
| | 2804 | -32 | | | | | | | |
| 12 | 1 | | | 9997-0510-16 | Skruv..... | Screw..... | | | |
| 133 | 1 | | | 9747-0831-02 | Mutter..... | Lock nut..... | | | |
| 134 | 1 | | | 9997-0820-16 | Skruv..... | Screw..... | | | |
| 135 | 1 | | | 9699-0056-02 | Planbricka..... | Flat washer..... | | | |
| 136 | 1 | | | 1811-2556-01 | Remskiva..... | Belt pulley..... | | | |
| 137 | 3 | | | 9747-0831-02 | Mutter..... | Lock nut..... | | | |
| 138 | 1 | | | 1811-2422-01 | Lagerskål..... | Bearing cover..... | | | |
| 139 | 1 | | | 9600-0170-00 | Plattkil..... | Flat key..... | | | |
| 140 | 1 | | | 1811-2415-01 | Lager..... | Bearing..... | | | |
| 158 | 1 | | | 1811-2552-01 | Snöskruvaxel..... | Auger shaft..... | | | |
| 159 | 1 | | | 1811-2416-01 | Kil..... | Key..... | | | |
| 160 | 2 | | | 9747-0831-02 | • Mutter..... | • Lock nut..... | | | |
| 161 | 1 | | | 1811-9012-01 | Brytbultsats..... | Shear bolt kit..... | | Inkl. pos 160 | |
| 162 | 1 | | | 1811-2561-01 | Snöskruv-vä..... | Auger-LH..... | | | |
| 163 | 1 | | | 1811-2443-01 | Axelbussning..... | Shaft bushing..... | | | |
| 164 | 2 | | | 1811-2418-01 | Planbricka..... | Flat washer..... | | | |
| 165 | 2 | | | 1811-2444-01 | Axelbussning..... | Shaft bushing..... | | | |
| 166 | 2 | | | 1811-2449-01 | Lagerfäste..... | Bearing cover..... | | | |
| 167 | 6 | | | 9699-0028-02 | Planbricka..... | Flat washer..... | | | |
| 168 | 6 | | | 9997-0812-16 | Skruv..... | Screw..... | | | |
| 169 | 1 | | | 1811-2562-01 | Snöskruv-hö..... | Auger-RH..... | | | |
| 170 | 6 | | | 9997-0620-16 | Skruv..... | Screw..... | | | |
| 171 | 7 | | | 9683-0025-02 | Låsbricka..... | Lock washer..... | | | |
| 172 | 7 | | | 9699-0025-02 | Planbricka..... | Washer..... | | | |
| 173 | 1 | | | 1811-2463-01 | Snäckdrev..... | Worm wheel..... | | | |
| 174 | 1 | | | 1811-2484-01 | Snäckväxelhus-vä..... | Gear housing-LH..... | | | |
| 174 A | 1 | | | 1811-2569-01 | Packning d:o..... | Gasket..... | | Ej ill/not ill | |
| 175 | 1 | | | 1811-2490-01 | Bussning..... | Bushing..... | | | |
| 176 | 4 | | | 1811-2443-01 | Axelbussning..... | Shaft bushing..... | | | |
| 177 | 1 | | | 1811-2485-01 | Snäckväxelhus-hö..... | Gear housing-RH..... | | | |
| 178 | 1 | | | 1811-2402-01 | Lager..... | Bearing..... | | | |
| 179 | 1 | | | 1811-2454-01 | Fläktaxel..... | Fan shaft..... | | Ø = 20 mm | |
| 180 | 1 | | | 1811-2403-01 | Lager..... | Bearing..... | | | |
| 181 | 1 | | | 1811-2404-01 | Trycklager..... | Thrust bearing..... | | | |
| 182 | 1 | | | 1811-2405-01 | Tätningring..... | Seal ring..... | | 32 x 20 x 6 mm | |
| 183 | 2 | | | 9595-0258-00 | Spännstift..... | Locating pin..... | | | |
| 184 | 1 | | | 1811-2477-01 | Bricka..... | Washer..... | | | |
| 185 | 1 | | | 1811-2419-01 | Fläkt..... | Fan..... | | | |
| 206 | 1 | | | 1811-2591-01 | Remstyrning..... | Belt plate..... | | | |
| 207 | 1 | | | 9997-0625-16 | Skruv..... | Screw..... | | | |
| 210 | 1 | | | 1811-2544-01 | Smörjnippel..... | Grease filling joint..... | | | |
| 211 | 1 | | | 1811-2545-01 | Packning..... | Wave gasket..... | | | |
| 217 | 2 | | | 1811-2580-01 | Tätningring..... | Oil seal..... | | 30 x 19 x 7 mm | |