



Reservdelskatalog Parts Catalogue

ST 5266 PB

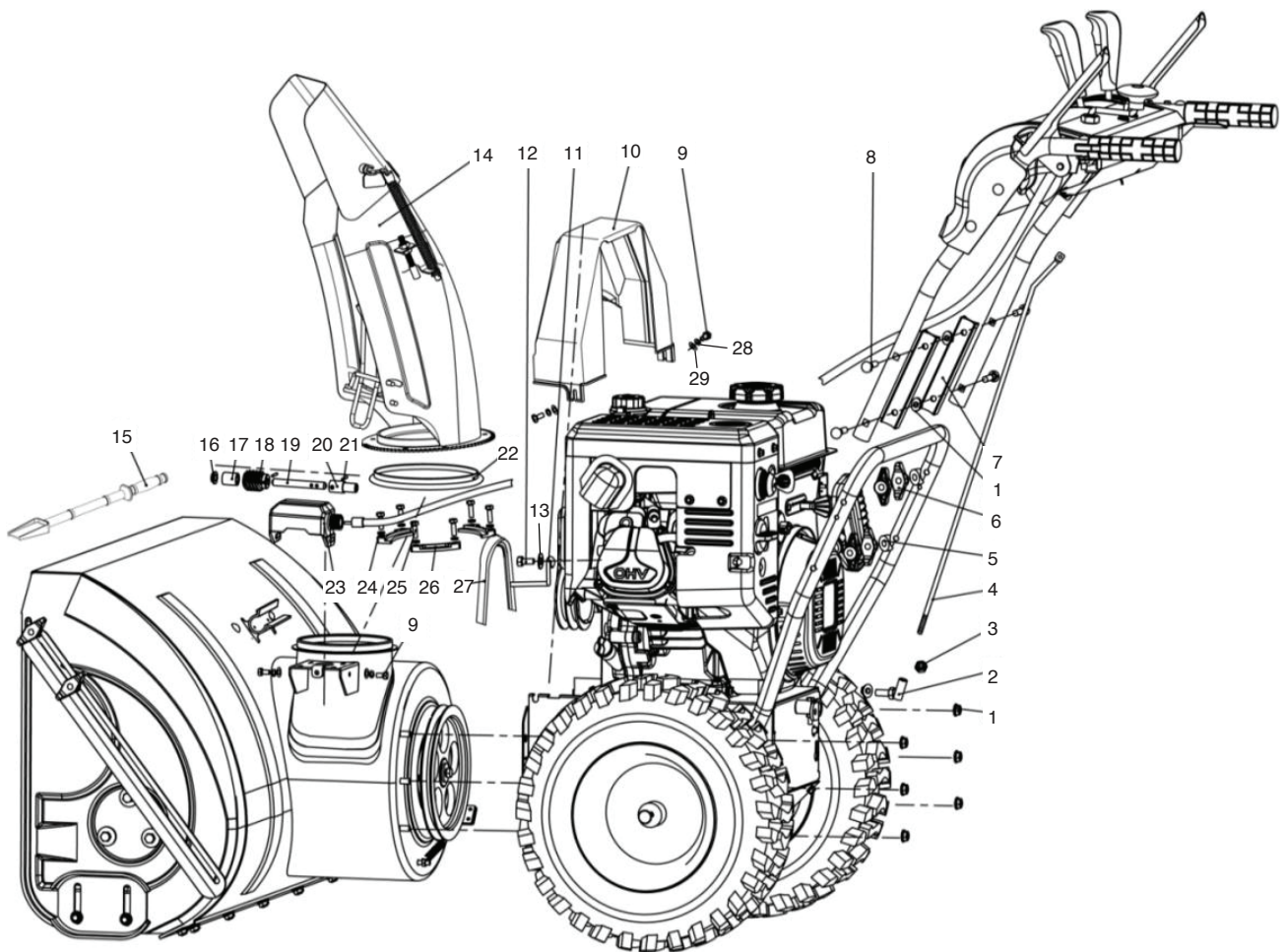
18-2873-31 - Season 2016

- Use GLOBAL GARDEN PRODUCT Genuine Spare Parts specified in the parts list for repair and/or replacement.
 - The contents described in the parts list may change due to improvement.
 - The drawings of the spare parts are only indicative and might not represent the part in question exactly.
 - The indications "right" - "left" - "front" - "rear" refer to the position of the operator when using the machine.
- When placing orders of parts for repair and/or replacement, make sure that the illustrated parts list is the one applying to the machine's year of manufacture, as shown on the identification plate attached to the machine.

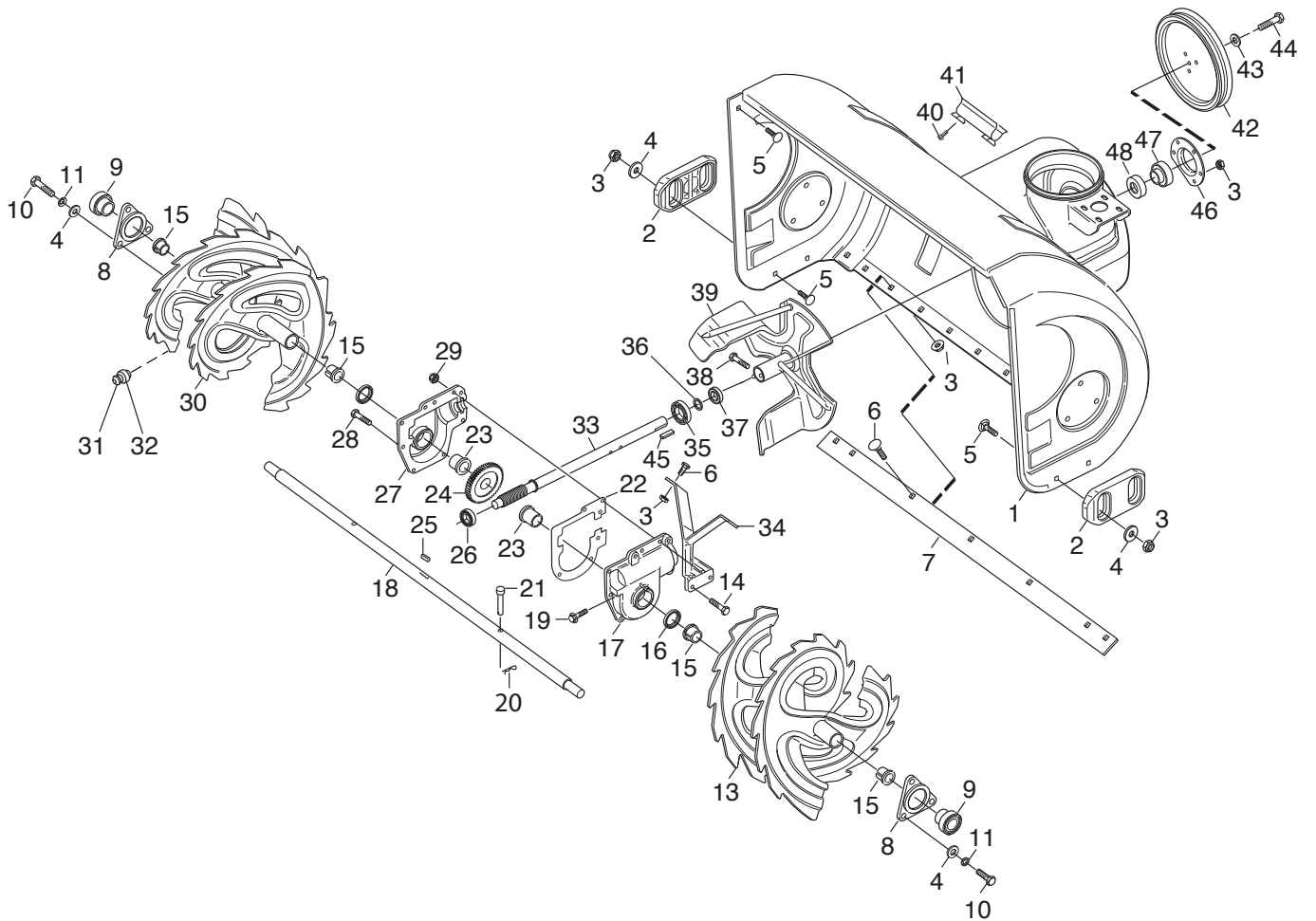
© Copyright 2016 Global Garden Products

All rights reserved. No part of this material may be reproduced or transmitted, in any form or by any means, electronic or mechanical, including photocopying, recording or by any information storage and retrieval system, without permission in writing from GLOBAL GARDEN PRODUCTS.

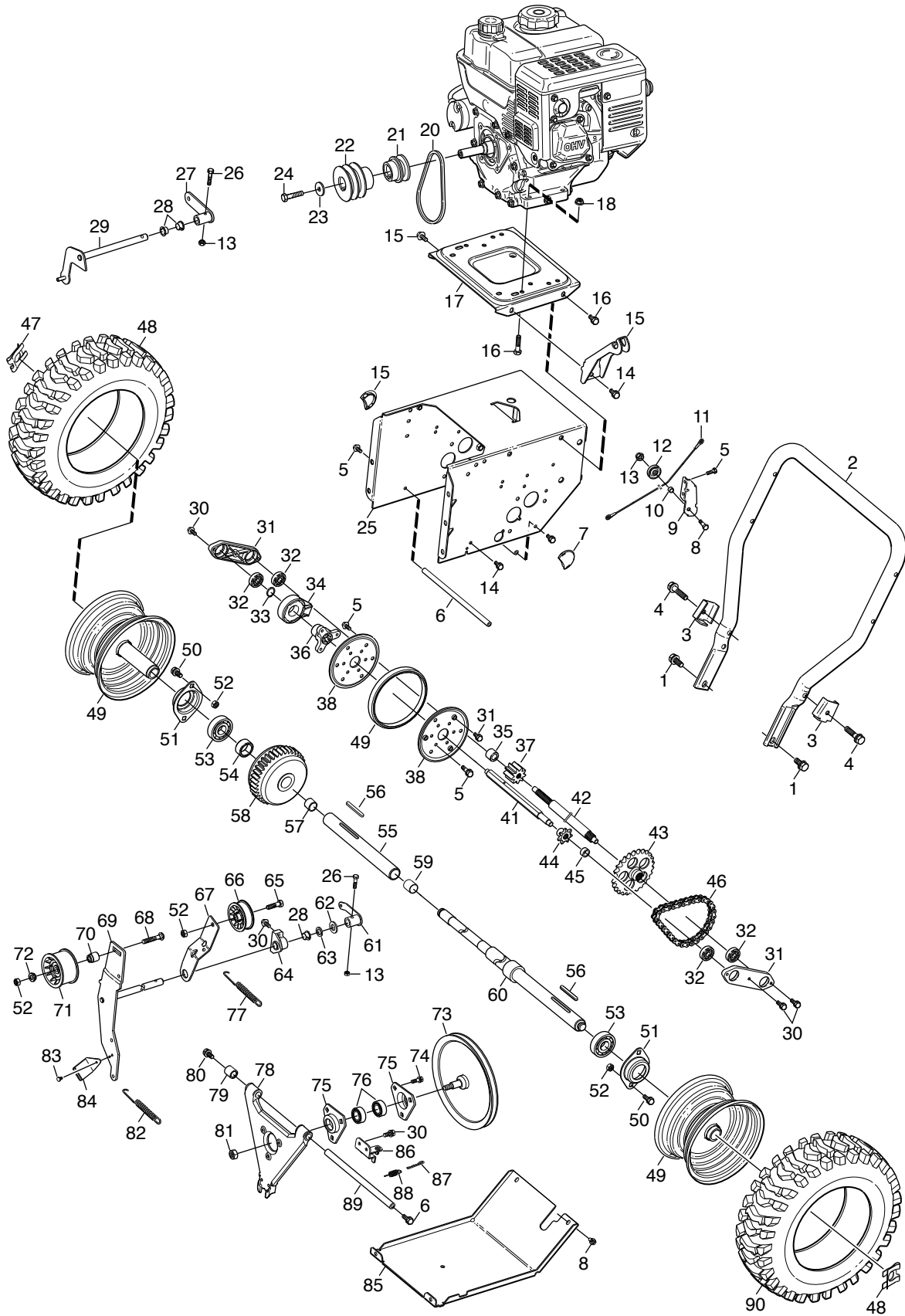
www.stiga.com



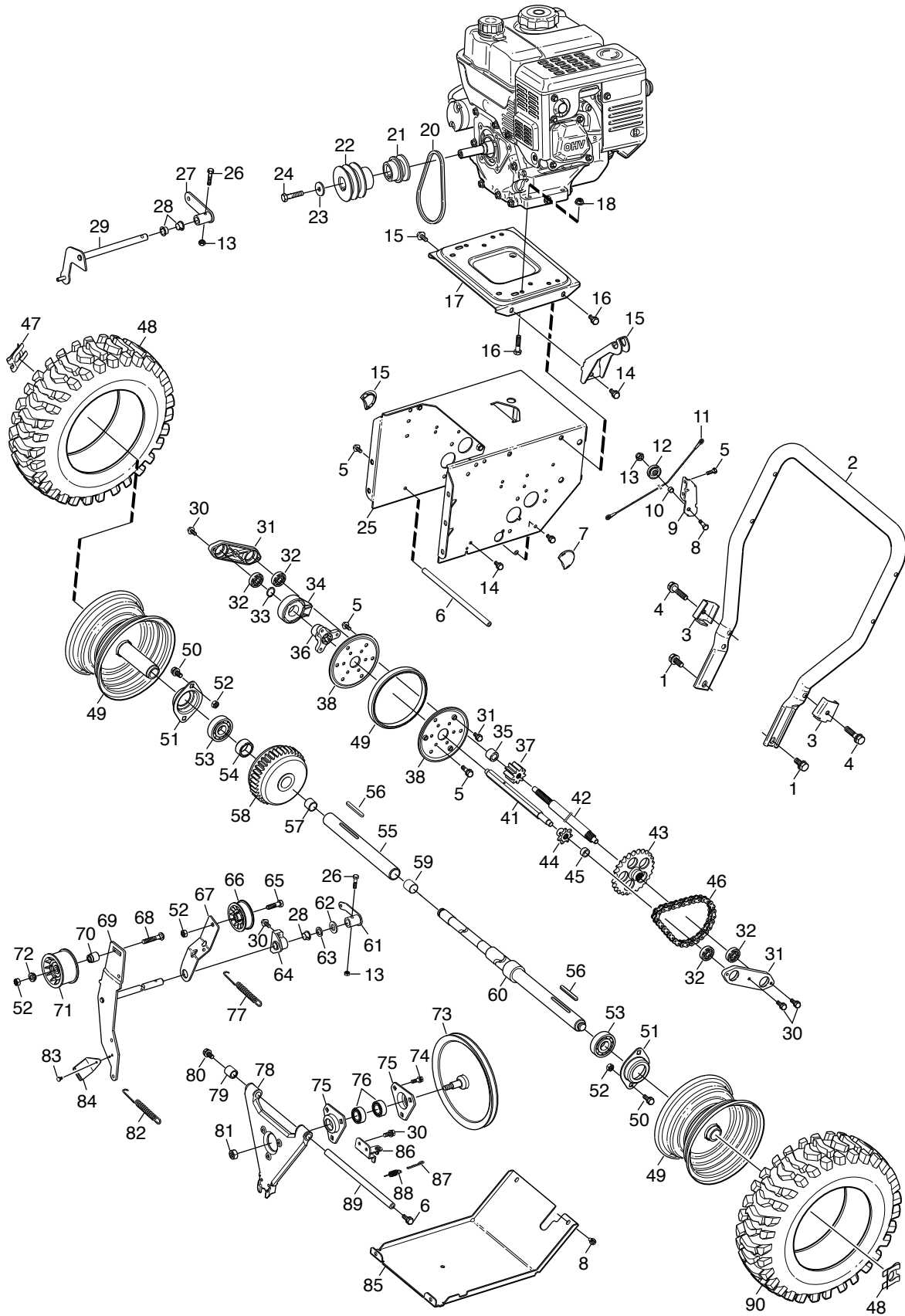
Utgåva Issue 44 - 2015		Kaross Body works			
Pos. Fig.	Antal Q.ty	Art nr Part No	Benämning	Description	Anmärkning Notes
1	8	112155000/0	Mutter	Nut	
2	1	1811-3074-01	Vinkellänk	Elbow link	
3	1	112293202/0	Mutter	Nut	
4	1	118820274/0	Gear Bar	Asta di Connessione	
5	4	118820041/0	Mutter	Nut	
6	4	118820040/0	Knopp	Knob	
7	2	118820071/0	Armrests Pads	Armrests Pads	
8	4	112819205/0	Skruv	Screw	
9	4	2132110	Skruv	Screw	
28	4	112521330/0	Bricka	Washer	
29	4	112582101/0	Lasbricka	Grower	
10	1	118820275/0	Remskydd	Carter Cinghia	
11	1	1811-3131-01	Belt Rod	Belt Rod	
12	1	9997-0820-16	Skruv	Screw	
13	1	9699-0090-02	Bricka	Washer	
14	1	118820276/0	Utkast kpl	Chute Assembly	
15	1	1811-3078-01	Snöborttagingsverktyg	Snow removal tool	
16	1	1811-3075-01	Mutter	Nut	
17	1	1811-2994-01	Dämpmatta	Pad	
18	1	1811-3045-01	Damask	Hollow worm	
19	1	1811-2995-01	Stift	Shaft	
20	1	1811-2997-01	Anslutningsstag, undre	Connect rod, under	
21	1	118820074/0	Stift	Pin	
22	1	1811-2996-01	Utkastbricka	Chute Washer	
23	1	1811-2993-01	Aluminiumfäste	Aluminum bracket	
24	6	112530060/0	Fjäderbricka	Spring Washer	
25	6	112727794/0	Skruv	Screw	
26	3	1811-3077-01	Fixeringsfäste	Fixed block	
27	1	118820278/0	Drivrem	Belt	



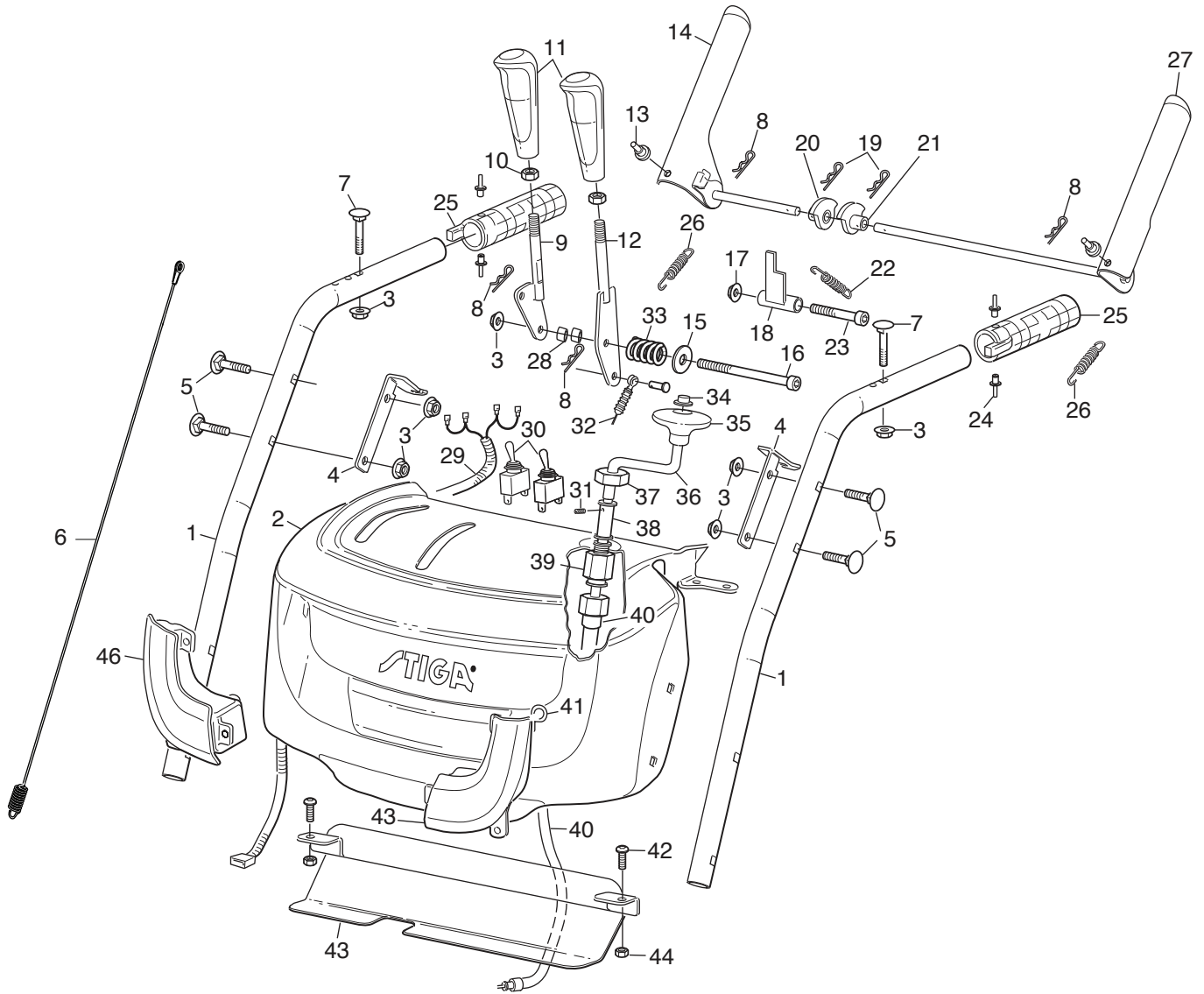
Utgåva Issue 44 - 2015		Inmatningshus Auger housing			
Pos. Fig.	Antal Q.ty	Art nr Part No	Benämning	Description	Anmärkning Notes
1	1	1811-2987-01	Inmatningshus	Auger Housing	
2	2	118820146/0	Skid Shoe	Skid Shoe	
3	15	112154210/0	Mutter	Nut	
4	10	9699-0090-02	Bricka	Washer	
5	8	9897-0820-16	Skruv	Screw	
6	8	112818690/0	Skruv	Screw	
7	1	1811-2988-01	Skrapskär	Scraper Blade	
8	2	1811-3049-01	Lagerhus Lager Hus	Bearing Housing	
9	2	1811-3050-01	Lager	Bearing	
10	6	9997-0820-16	Skruv	Screw	
11	6	9685-0002-00	Bricka	Washer	
13	1	1811-2983-01	Snöskruv-va	Auger-LH	
14	2	9997-0630-01	Skruv	Screw	
15	4	1811-3051-01	Bussning	Bushing	
16	2	1811-3143-01	Packning	Sealing	
17	1	1811-3106-01	Snäckväxelhus-vå	Worm gear housing-LH	
18	1	1811-2989-01	Utgående Axel	Axel Output Shaft	
19	1	118820128/0	Skruv	Screw	
20	2	1811-3080-01	Stift	Pinchock	
21	2	1811-2986-01	Brytbult	Shear bolt	
22	1	1811-3107-01	Packning	Sealing	
23	2	1811-3052-01	Hylsa Utgående Axel	Output Shaft Sleeve	
24	1	1811-3108-01	Snäckväxel	Worm gear	
25	1	1811-3144-01	Kil	Key	
26	1	118820153/0	Kullager	Ball Bearing	
27	1	1811-3083-01	Snäckväxelhus-hö	Worm gear housing-RH	
28	7	112791500/0	Skruv	Screw	
29	4	112292100/0	Mutter	Nut	
30	1	1811-2984-01	Snöskruv-hö	Auger-RH	
31	4	118820156/0	Oil Cup	Oil Cup	
32	4	112521330/0	Bricka	Washer	
33	1	1811-3101-01	Snäckskruv	Worm shaft	
34	1	1811-3100-01	Stagfäste	Strut plate	
35	1	118820157/0	Kullager	Ball Bearing	
36	1	1811-3109-01	Hylsa	Shaft sleeve	
37	1	118820158/0	Kullager	Ball Bearing	
38	2	9997-0625-16	Skruv	Screw	
39	1	1811-2990-01	Fläkt	Fan	
40	2	1811-3148-01	Skruv	Screw	
41	1	1811-3053-01	Verktysfäste	Tool Bracket	
42	1	1811-3103-01	Remskiva	Belt pulley	
43	1	9699-0109-02	Bricka	Washer	
44	1	9997-1025-16	Skruv	Screw	
45	1	1811-3149-01	Kil	Key	
46	1	1811-3054-01	Kåpa	Cover	
47	1	1811-3134-01	Kullager	Ball Bearing	
48	1	118820292/0	Hylsa	Sleeve	



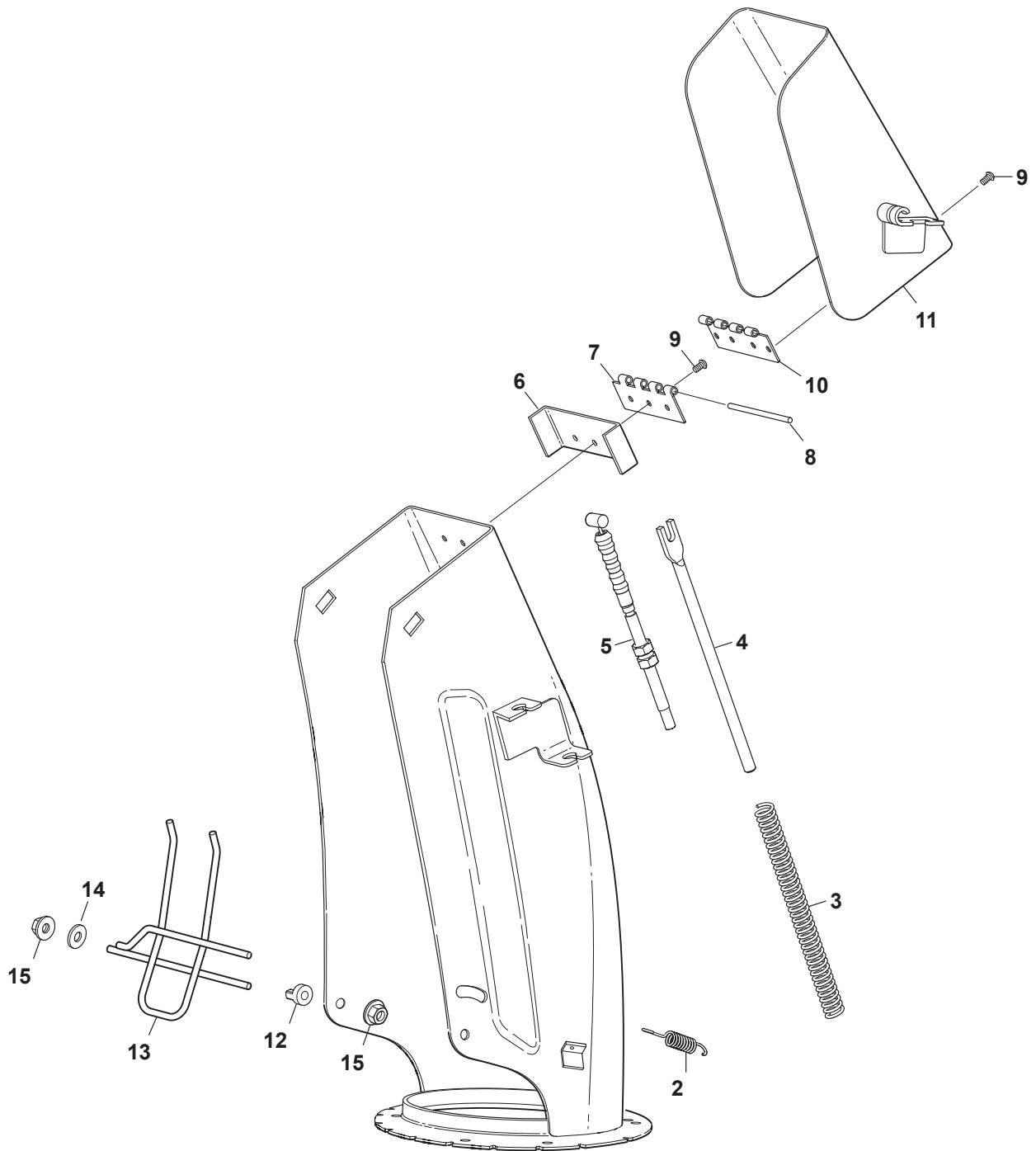
Utgåva Issue 44 - 2015		Transmission		Transmission	
Pos. Fig.	Antal Q.ty	Art nr Part No	Benämning	Description	Anmärkning Notes
1	2	9997-1025-16	Skruv	Screw	
2	1	118820293/0	Handtag	Handle, Lower	
3	2	118820294/0	Fäste	Bracket	
4	2	112794900/0	Skruv	Screw	
5	14	9997-0612-16	Skruv	Screw	
6	2	118820295/0	Växeljusterings	Strut	
7	1	118820296/0	Front-Övre	Cover	
8	1	112791400/0	Skruv	Screw	
9	1	118820298/0	Hylsa	Sleeve	
10	1	118820094/0	Pulley Seat	Pulley Seat	
11	1	118820299/0	Kabel	Wire	
12	1	118820300/0	Remskiva	Pulley	
13	3	112154510/0	Mutter	Nut	
14	1	118820301/0	Connecting Plate	Connecting Plate	
15	4	112793102/0	Skruv	Screw	
16	4	112691100/0	Skruv	Screw	
17	1	118820302/0	Engine Fixing Plate	Engine Plate - Black	
18	4	112154210/0	Mutter	Nut	
20	1	118820303/0	Kilrem	Belt	
21	1	118820304/0	Remskiva	Drive Pulley	
22	1	1811-3119-01	Remhjul	Pulley	
23	1	9699-0056-02	Bricka	Washer	
24	1	112793312/0	Skruv	Screw	
25	1	118820305/0	Hus	Housing, Transmission	
26	2	112674550/0	Skruv	Screw	
27	1	1811-3012-01	Växelkoppling	Gear connector	
28	3	1811-3113-01	Plastbussning	Plastic bushing	
29	1	118820308/0	Stäg	Strut	
30	13	112791200/1	Skruv	Screw	
31	2	118820309/0	Shaft seat	Bearing Housing	
32	4	118820310/0	Kullager	Ball Bearing	
33	1	112609800/0	Segersäkkring D.25	Seeger	
34	1	118820312/0	Shift Bearing	Shift Bearing	
35	1	118820313/0	Distans	Spacer	
36	1	118820314/0	Fäste	Bracket	
37	1	118820315/0	Drive Gear	Gear	
38	2	118820110/0	Inner Ring	Inner Ring	
39	1	118820317/0	Gummi	Rubber	
40	1	1811-3080-01	Stift	Pinchcock	
41	1	118820319/0	Axel	Hexagon Shaft	
42	1	118820320/0	Axel	Shaft	
43	1	118820118/0	Kugghjul	Chain Wheel	
44	1	118820322/0	Kugghjul	Sprocket	
45	1	118820323/0	Distans	Spacer	
46	1	118820119/0	Kedja	Chain	
47	1	118820177/0	Däck	Tyre	
48	2	118820178/0	Hållare	Clip	
49	2	118820179/0	Narrow Rim	Narrow Rim	
50	4	9997-0820-16	Skruv	Screw	



Utgåva Issue 44 - 2015		Transmission		Transmission	
Pos. Fig.	Antal Q.ty	Art nr Part No	Benämning	Description	Anmärkning Notes
51	2	1811-3115-01	Lagerhus	Bearing Housing	
52	6	112155000/0	Mutter	Nut	
53	2	118820180/0	Kullager	Ball Bearing	
54	1	118820325/0	Distans	Spacer	
55	1	118820182/0	Short Semi-Shaft	Short Semi-Shaft	
56	2	118820328/0	Kil	Chiave	
57	1	118820329/0	Hylsa	Bronze Sleeve	
58	1	118820185/0	Differentiell	Differential	
59	1	118820332/0	Hylsa	Bronze Sleeve	
60	1	118820187/0	Stift	Shaft	
61	1	118820334/0	Spännare	Tensioner	
62	1	112521370/0	Bricka	Washer	
63	1	112530150/0	Fjäderbricka	Spring Washer	
64	1	118820336/0	Fixeringsblock	Fixing Block	
65	1	112793701/0	Skruv	Screw	
66	1	1811-3064-01	Spännrulle	Tension pulley	
67	1	118820337/0	Spännare	Tensioner	
68	1	112819100/0	Skruv	Screw	
69	1	118820338/0	Fäste	Bracket	
70	1	1811-3055-01	Bussning	Bushing	
71	1	1811-3057-01	Spännrulle	Tension pulley	
72	1	1811-3056-01	Dämpmatta	Pad	
73	1	118820339/0	Remskiva	Pulley	
74	3	112791400/0	Skruv	Screw	
75	2	1811-3116-01	Lagerhus	Bearing Housing	
76	2	118820340/0	Kullager	Ball Bearing	
77	1	1811-3118-01	Bromsfjäder	Spring	
78	1	118820341/0	Faste	Support	
79	1	118820342/0	Distans	Spacer	
80	2	118820135/0	Skruv	Screw	
81	1	112156603/0	Mutter	Nut	
82	1	118820343/0	Bromsfjäder	Brake Spring	
83	2	118820344/0	Nit	Rivet	
84	1	118820345/0	Brake block	Brake block	
85	1	118820346/0	Bottenplåt Kpl	Plate, Lower	
86	1	118820347/0	Fäste	Bracket	
87	1	118820348/0	SaxSprint	Cotter Pin	
88	1	118820143/0	Fjäder	Spring	
89	1	1811-3125-01	Växeljusterings	Strut	
90	1	118820582/0	Däck	Tyre	



Utgåva Issue 44 - 2015		Reglage		Controls	
Pos. Fig.	Antal Q.ty	Art nr Part No	Benämning	Description	Anmärkning Notes
1	2	1811-3019-01	Styre, övre	Handle, upper	
2	1	1811-3020-01	Panel	Dashboard	
3	7	112154210/0	Mutter	Nut	
4	2	118820279/0	Cable Bracket	Cable Bracket	
5	4	112819100/0	Skruv	Screw	
6	2	118820280/0	Kopplingswire	Clutch Cable	
7	2	112818900/0	Skruv	Screw	
8	4	118820348/0	SaxSprint	Cotter Pin	
9	1	1811-3025-01	Växelhandtag	Gear handle bar	
10	2	112295200/0	Mutter	Nut	
11	2	118820282/0	Handlebar sponge grip	Gear Handle	
12	1	1811-3027-01	Spak	Lever	
13	2	1811-3070-01	Gummibussning	Rubber pad	
14	1	118820283/0	Handtag, Ho	Right Handle	
15	1	9699-0056-02	Bricka	Washer	
16	1	9897-0813-02	Skruv	Screw	
17	1	112155000/0	Mutter	Nut	
18	1	1811-3068-01	Stop	Stopper	
19	2	1811-3073-01	Låspinne	Locking pin	
20	1	118820284/0	Right Cam	Right Cam	
21	1	118820285/0	Left Cam	Left Cam	
22	1	1811-3067-01	Bromsfjäder	Spring	
23	1	112819201/0	Skruv	Screw	
24	2	1811-3154-01	Blindnit	Blind rivet	
25	2	1811-3099-01	Värmehandtag	Heated handle	
26	2	1811-3071-01	Bromsfjäder	Spring	
27	1	118820286/0	Left Handle Lever	Left Handle Lever	
28	2	1811-3048-01	Bussning	Bushing	
29	1	1811-3030-01	Kabelhärva Kablage	Harness	
30	2	1811-2985-01	Brytare	Switch	
31	1	118820084/0	Stift	Pin	
32	1	118820359/0	Kabel Chute Kabel	Chute Cable Wire	
33	1	1811-3066-01	Bromsfjäder	Spring	
34	1	1811-3132-01	Mutterhat	Nut cap	
35	1	1811-3032-01	Knopp	Knob	
36	1	118820289/0	Spak	Leva	
37	1	1811-3035-01	Fäste	Bracket	
38	1	1811-3039-01	Anslutning, övre	Connector, upper	
39	1	1811-3037-01	Fäste	Lower Fixing Bracket	
40	1	118820290/0	Drivaxel	Flexible Shaft	
41	6	118820424/0	Skruv	Screw	
42	2	112727794/0	Skruv	Screw	
43	1	118820291/0	Front-Övre	Cover	
44	2	112154510/0	Mutter	Nut	
45	1	1811-3040-01	LED ljus, vä	LED light,LH	
46	1	1811-3041-01	LED ljus, hö	LED light,RH	



Utgåva Issue 44 - 2015		Utkast Discharge Chute			
Pos. Fig.	Antal Q.ty	Art nr Part No	Benämning	Description	Anmärkning Notes
2	1	1811-3071-01	Bromsfjäder	Spring	
3	1	118820357/0	Fjäder	Spring	
4	1	118820358/0	Växeljusterings	Strut	
5	1	118820359/0	Kabel Chute Kabel	Chute Cable Wire	
6	1	118820360/0	Sealing pad	Sealing pad	
7	1	118820361/0	Undre Plat	Plate	
8	1	118820362/0	Stift	Pin	
9	7	118820363/0	Nit	Rivet	
10	1	118820364/0	Undre Plat	Plate	
11	1	118820365/0	Deflektor	Deflector	
12	1	118820366/0	Bricka	Washer	
13	1	118820367/0	Säkerhetsbarriär	Safety barrier	
14	1	1811-3079-01	Plastbricka	Plastic Washer	
15	2	1811-3133-01	Snabbmutter	Push nut	

code	pos.	q.ty	page
118820339/0	73	1	p. 9
118820340/0	76	2	p. 9
118820341/0	78	1	p. 9
118820342/0	79	1	p. 9
118820343/0	82	1	p. 9
118820344/0	83	2	p. 9
118820345/0	84	1	p. 9
118820346/0	85	1	p. 9
118820347/0	86	1	p. 9
118820348/0	8	4	p. 11
118820348/0	87	1	p. 9
118820357/0	3	1	p. 13
118820358/0	4	1	p. 13
118820359/0	5	1	p. 13
118820359/0	32	1	p. 11
118820360/0	6	1	p. 13
118820361/0	7	1	p. 13
118820362/0	8	1	p. 13
118820363/0	9	7	p. 13
118820364/0	10	1	p. 13
118820365/0	11	1	p. 13
118820366/0	12	1	p. 13
118820367/0	13	1	p. 13
118820424/0	41	6	p. 11