



Reservdelskatalog Parts Catalogue

ST 3262 PB

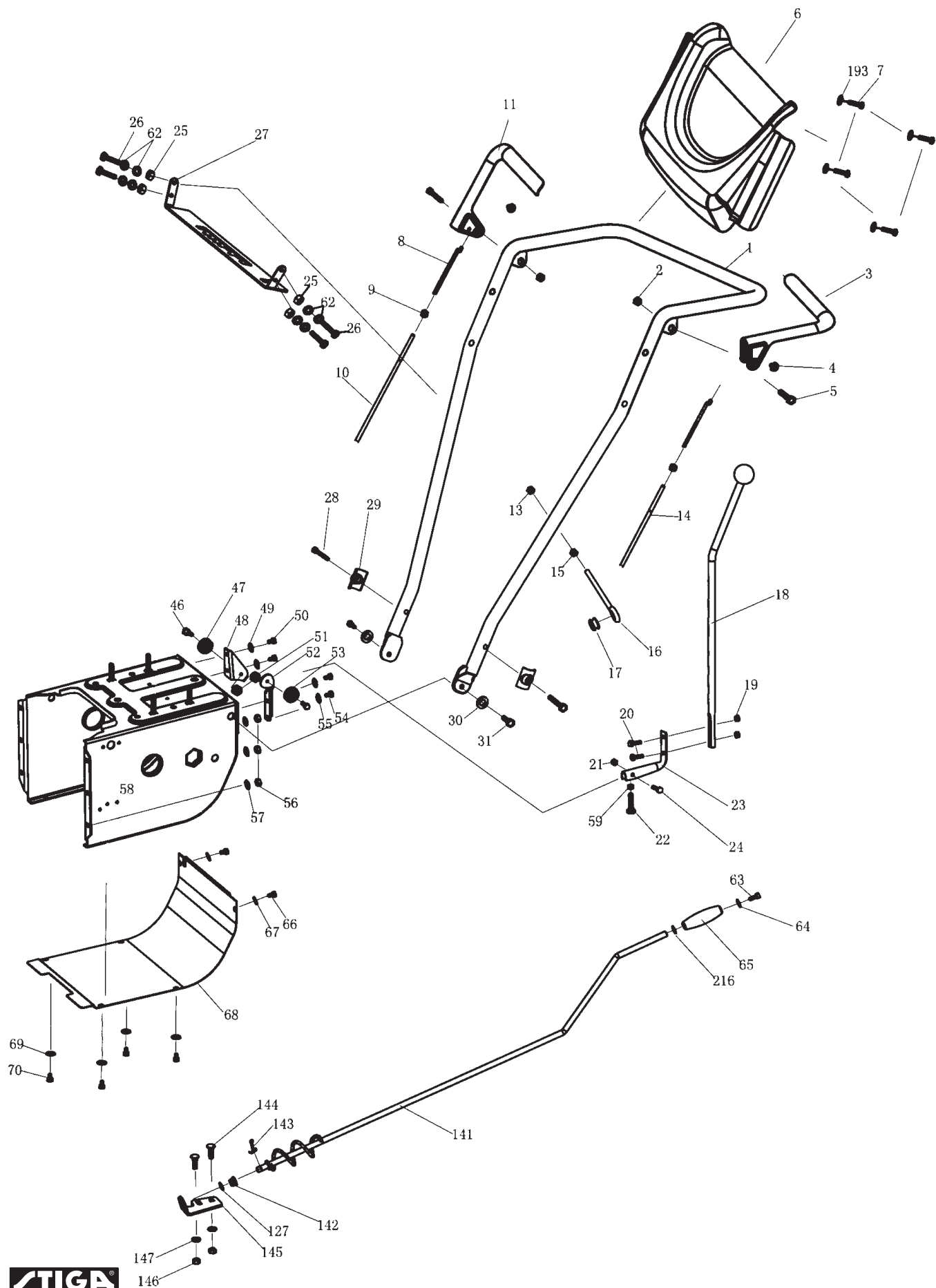
18-2871-12 - Season 2016

- Use GLOBAL GARDEN PRODUCT Genuine Spare Parts specified in the parts list for repair and/or replacement.
 - The contents described in the parts list may change due to improvement.
 - The drawings of the spare parts are only indicative and might not represent the part in question exactly.
 - The indications "right" - "left" - "front" - "rear" refer to the position of the operator when using the machine.
- When placing orders of parts for repair and/or replacement, make sure that the illustrated parts list is the one applying to the machine's year of manufacture, as shown on the identification plate attached to the machine.

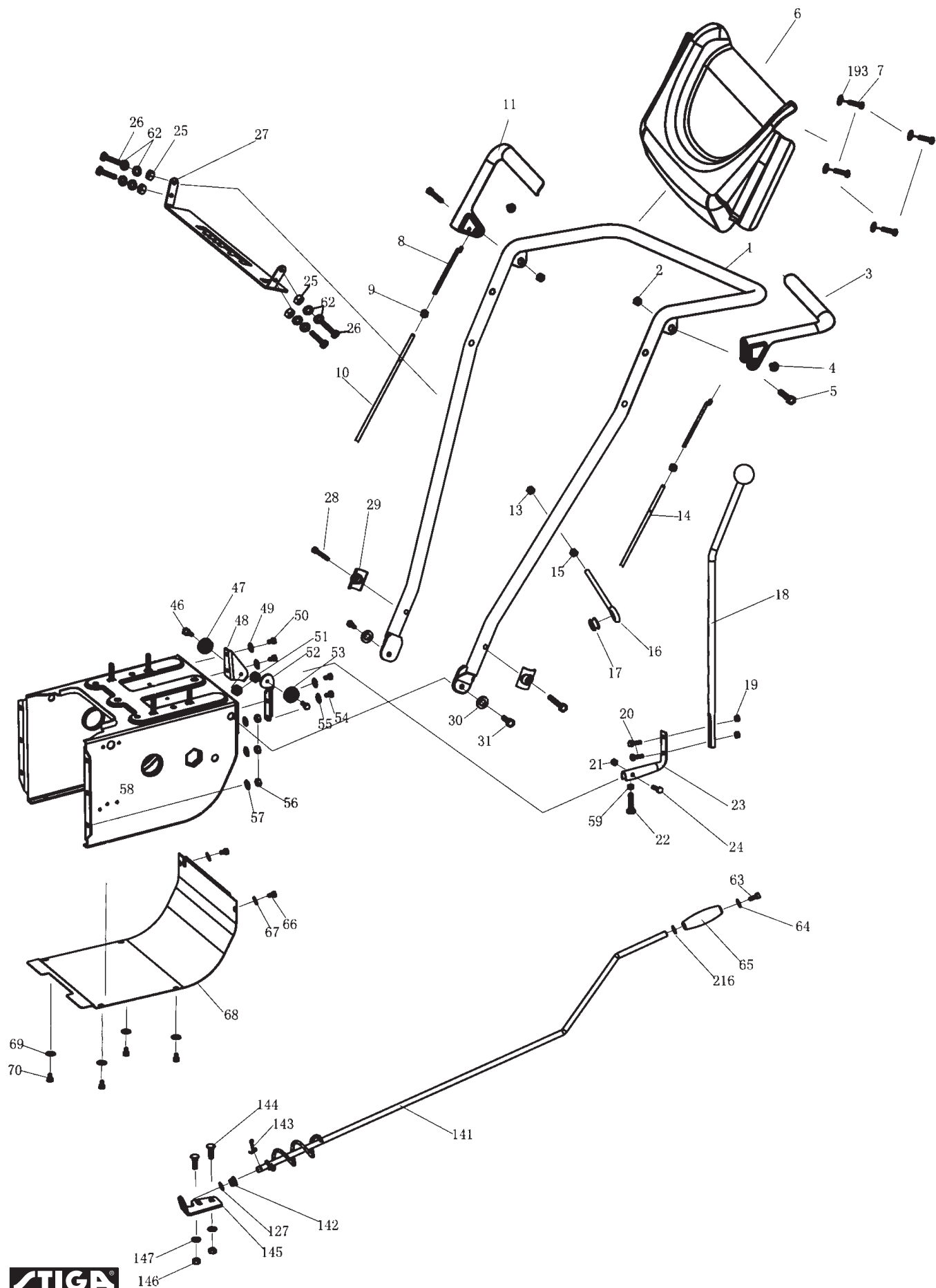
© Copyright 2016 Global Garden Products

All rights reserved. No part of this material may be reproduced or transmitted, in any form or by any means, electronic or mechanical, including photocopying, recording or by any information storage and retrieval system, without permission in writing from GLOBAL GARDEN PRODUCTS.

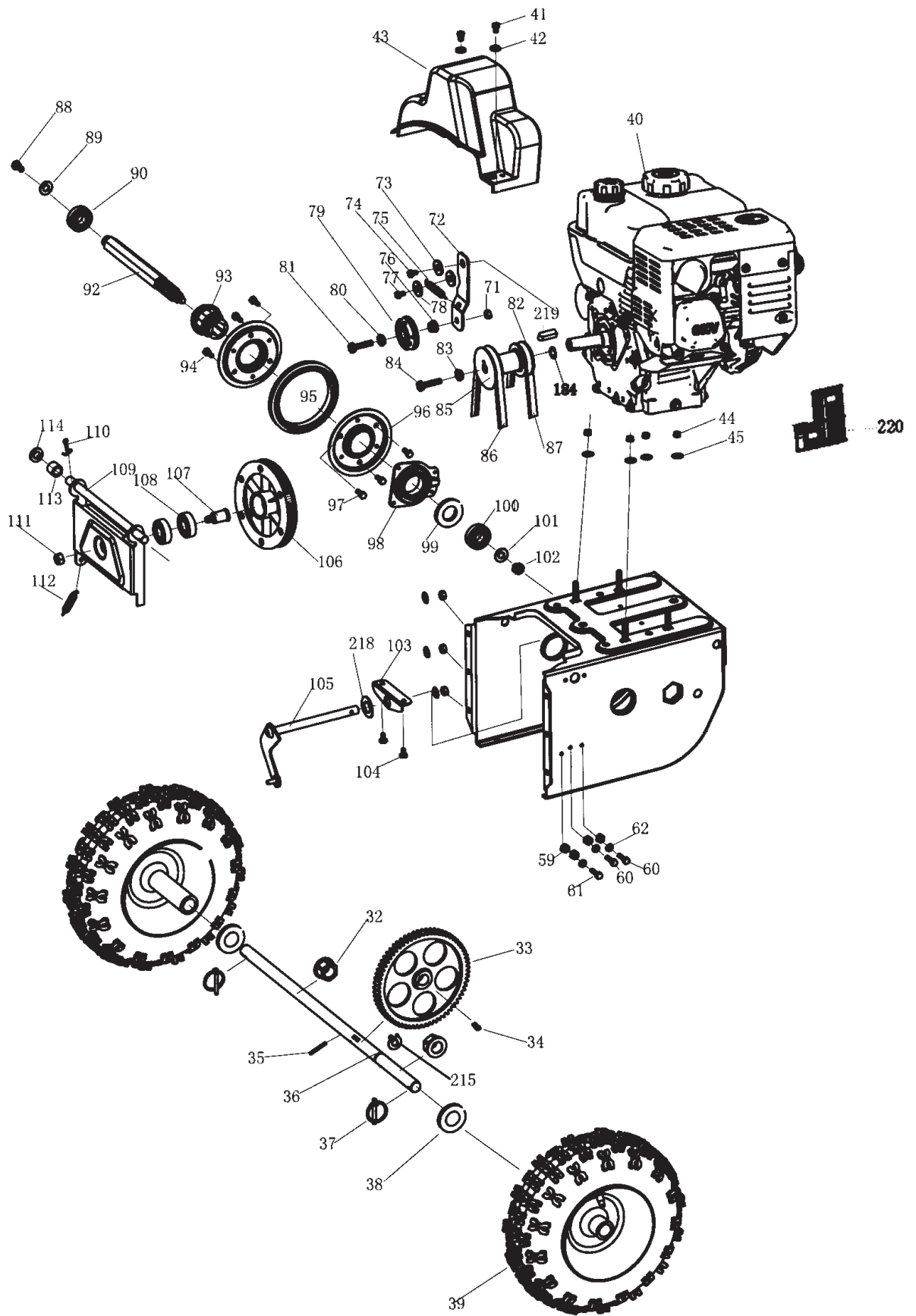
www.stiga.com



Utgåva Issue 2014-14	Bildnr Picture No 2171B	SNOW CRYSTAL ES STYRE REGLAGE	SNOW CRYSTAL ES HANDLE CONTROLS	Sida Page 2					
Pos. Fig.	Antal/Quantity				Art nr Part No	Benämning	Description	Sats Kit	Anmärkning Notes
	2804 -32								
1	1			1811-2557-01	Styre.....	Handle.....			
2	2			9747-0831-02	Mutter.....	Lock nut.....			
3	1			1811-2567-01	Inkoppl.handtag-vä.....	Clutch handle-LH.....			
4	2			1811-2472-01	Gummiskydd.....	Rubber cap.....			
5	2			9997-0845-12	Skruv.....	Screw.....			
6	1			1811-2570-01	Panel-gul.....	Dashboard-yellow.....			
7	4			1811-2400-01	Skruv.....	Screw.....			
8	2			1811-2458-01	Justerstång.....	Adjustment rod.....			
9	2			9799-0531-02	Mutter.....	Nut.....			
10	1			1811-2585-01	Reglagewire.....	Control cable.....		L = 105 cm	
11	1			1811-2566-01	Inkoppl.handtag-hö.....	Clutch handle-RH.....			
13	1			9747-0831-02	Mutter.....	Lock nut.....			
14	1			1811-2587-01	Reglagewire.....	Control cable.....		L = 117,5 cm	
15	1			9787-0831-32	Mutter.....	Nut.....			
16	1			1811-2468-01	Ögla.....	Eye bolt.....			
17	1			1811-2469-01	Gummihylsa.....	Rubber sleeve.....			
18	1			1811-2563-01	Växelspak.....	Gear lever.....			
19	2			9739-0631-22	Mutter.....	Nut.....			
20	2			9997-0620-16	Skruv.....	Screw.....			
21	1			9739-0631-22	Mutter.....	Nut.....			
22	1			9997-0620-16	Skruv.....	Screw.....			
23	1			1811-2482-01	Växelarm.....	Gear rod.....			
24	1			9997-0625-16	Skruv.....	Screw.....			
25	4			9747-0631-02	Låsmutter.....	Lock nut.....			
26	4			9997-0635-12	Skruv.....	Screw.....			
27	1			1811-2565-01	Växellägesplåt.....	Gear select plate.....			
28	2			9997-0840-16	Skruv.....	Screw.....			
29	2			1811-2453-01	Styresbricka.....	Handle washer.....			
30	2			9699-0062-02	Planbricka.....	Flat washer.....			
31	2			9997-0820-16	Skruv.....	Screw.....			
46	2			1811-2476-01	Ansatsbult.....	Shoulder bolt.....			
47	1			1811-2440-01	Wirerulle.....	Wire pulley.....			
48	1			1811-2439-01	Fäste-gul.....	Bracket-yellow.....			
49	2			9699-0025-02	Planbricka.....	Washer.....			
50	2			9997-0612-16	Skruv.....	Screw.....			
51	2			9739-0631-22	Mutter.....	Nut.....			
52	1			1811-2437-01	Fäste-gul.....	Bracket-yellow.....			
53	1			1811-2440-01	Wirerulle.....	Wire pulley.....			
54	2			9997-0612-16	Skruv.....	Screw.....			
55	2			9699-0025-02	Planbricka.....	Washer.....			
56	6			9747-0831-02	Mutter.....	Lock nut.....			
57	6			9699-0028-02	Planbricka.....	Flat washer.....			
58	1			1811-2588-01	Chassi.....	Chassis.....			
59	1			9747-0631-02	Låsmutter.....	Lock nut.....			
62	8			9699-0025-02	Planbricka.....	Washer.....			
63	1			9997-0610-16	Skruv.....	Screw.....			
64	1			9699-0025-02	Planbricka.....	Washer.....			
65	1			1811-2442-01	Handtag.....	Grip.....			
66	2			9997-0610-16	Skruv.....	Screw.....			
67	2			9699-0025-02	Planbricka.....	Washer.....			
68	1			1811-2486-01	Bottenplåt-gul.....	Bottom plate-yell.....			
69	4			9699-0025-02	Planbricka.....	Washer.....			
70	4			9997-0610-16	Skruv.....	Screw.....			
127	1			9699-0035-02	Planbricka.....	Flat washer.....			
141	1			1811-2467-01	Inställningsvev.....	Crank.....			
142	1			1811-2431-01	Bussning.....	Bushing.....			
143	1			9599-0054-02	Saxpinne.....	Cotter pin.....			
144	2			9898-0820-16	Skruv.....	Screw.....			
145	1			1811-2430-01	Fäste-gul.....	Bracket-yellow.....			
146	2			9747-0831-02	Mutter.....	Lock nut.....			
147	2			9699-0056-02	Planbricka.....	Flat washer.....			



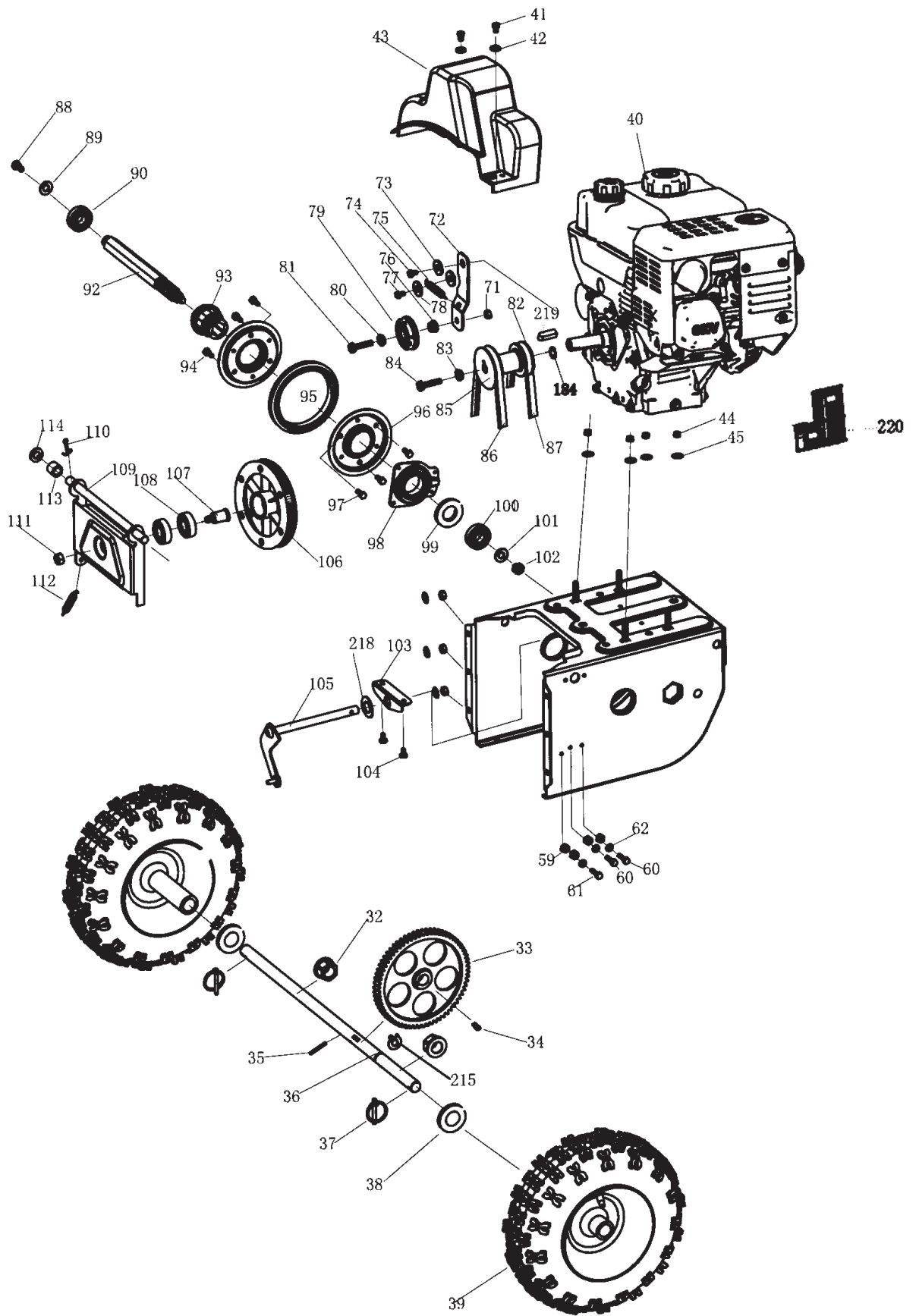
Utgåva Issue 2014-14		Bildnr Picture No 2171B		SNOW CRYSTAL ES STYRE REGLAGE		SNOW CRYSTAL ES HANDLE CONTROLS		Sida Page 4	
Pos. Fig.	Antal/Quantity				Art nr Part No	Benämning	Description	Sats Kit	Anmärkning Notes
	2804								
X	193	4			9699-0072-02	Bricka	Washer.....		Ej ill/not ill.
	216	1			9699-0029-02	Planbricka.....	Flat washer		
	999	1			8218-2254-10	Bruksanvisning.....	Owner's manual		



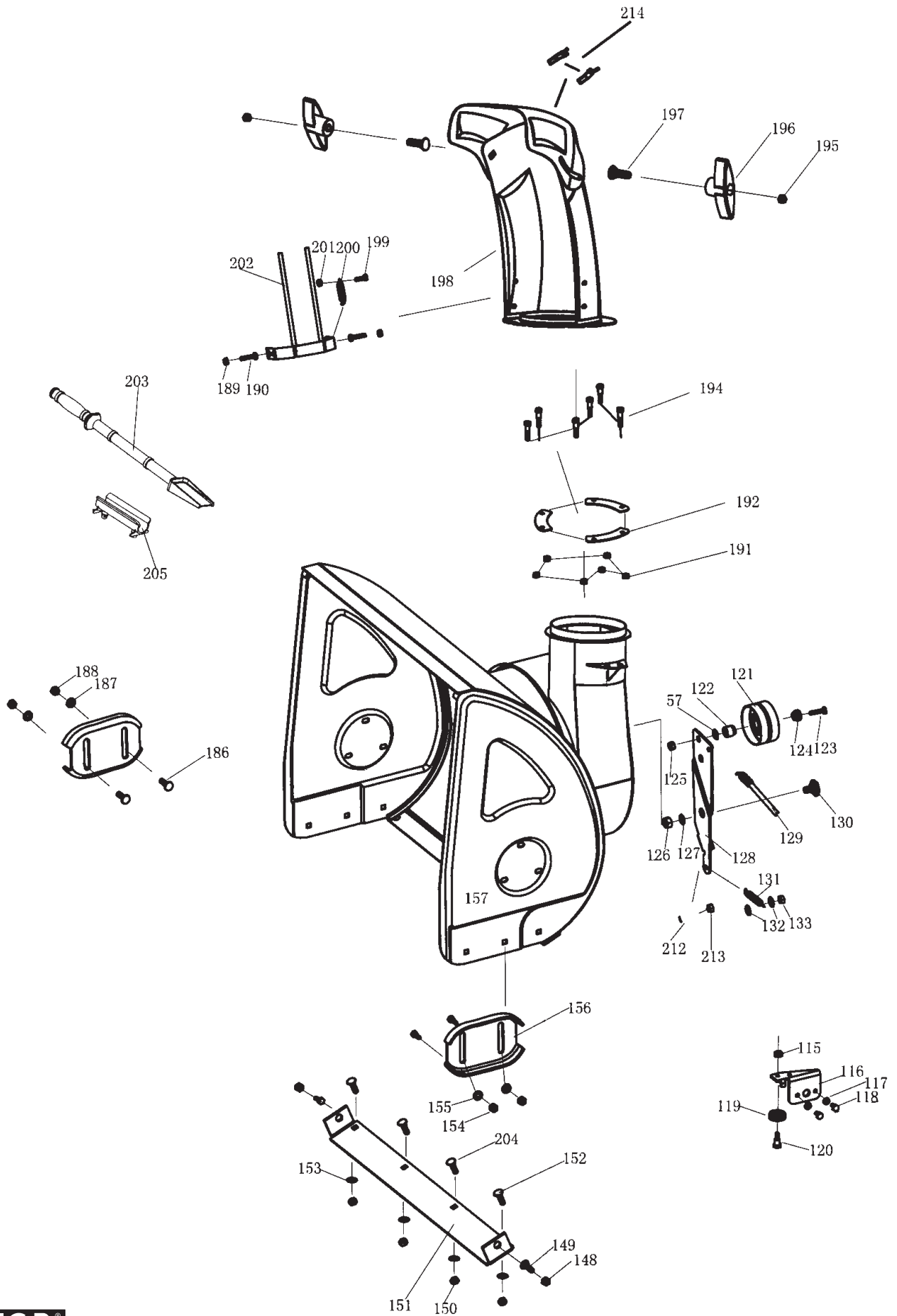
Utgåva Issue 2010-14		Bildnr Picture No 2172B		SNOW CRYSTAL ES TRANSMISSION		SNOW CRYSTAL ES TRANSMISSION		Sida Page 6	
Pos. Fig.	Antal/Quantity				Art nr Part No	Benämning	Description	Sats Kit	Anmärkning Notes
	2804								
	32	2			1811-2452-01	Hjulaxelbussning	Wheel shaft bushing.....		
	33	1			1811-2421-01	Drev	Gear		
	34	2			1811-2406-01	Kil	Key		
	35	1			9595-0212-00	Spännstift	Locating pin		
	36	1			1811-2550-01	Hjulaxel	Wheel shaft		
	37	2			1811-2478-01	Fjäderpinne	Spring pin		
	38	2			1811-2407-01	Planbricka	Flat washer		
	39	2			1811-2541-01	Hjul kpl	Wheel assy		
	40	1			118550657/0	Motor kpl	Engine compl.		
	41	2			9997-0610-16	Skruv	Screw		
	42	2			9699-0025-02	Planbricka	Washer		
	43	1			1811-2455-01	Remskydd	Belt cover		
	44	4			9747-0831-02	Mutter	Lock nut		
	45	4			9699-0028-02	Planbricka	Flat washer		
	59	3			9747-0631-02	Låsmutter	Lock nut		
	60	2			9997-0630-12	Skruv	Screw		
	61	1			9997-0620-16	Skruv	Screw		
	62	3			9699-0025-02	Planbricka	Washer		
	71	1			9747-0631-02	Låsmutter	Lock nut		
	72	1			1811-2470-01	Spännarm	Tension arm		
	73	1			1811-2559-01	Spännarmsbricka	Tension washer		
	74	1			9997-0820-16	Skruv	Screw		
	75	1			1811-2555-01	Fjäder	Spring		
	76	1			1811-2575-01	Bricka	Washer		
	77	1			9997-0812-16	Skruv	Screw		
	78	2			9699-0028-02	Planbricka	Flat washer		
X	79	1			1811-2593-01	Spännrulle kpl	Tension pulley		
	80	1			1811-2427-01	Bricka	Washer		
	81	1			9997-0830-16	Skruv	Screw		
	82	1			1811-2473-01	Remskiva	Belt pulley		
	83	1			1811-2542-01	Planbricka	Plain cushion		
	84	1			9987-5125-16	Skruv	Screw		
	85	1			1811-2560-01	Remskiva	Main belt pulley		
X	86	1			1811-2578-01	Drivrem	Belt		
	87	1			1811-2410-01	Drivrem	Belt		
	88	1			9997-0816-16	Skruv	Screw		
	89	3			9699-0122-02	Bricka	Washer		
	90	1			1811-2411-01	Lager	Bearing		
	92	1			1811-2423-01	Sexkantsaxel	Hex shaft		
	93	1			1811-2435-01	Nav	Hub		
	94	3			9997-0612-16	Skruv	Screw		
X	95	1			1811-2584-01	Friktionsring	Friction ring		
	96	2			1811-2433-01	Friktionshjul	Friction wheel		
	97	3			9997-0612-16	Skruv	Screw		
	98	1			1811-2434-01	Växelförare	Gear selector hub		
	99	1			1811-2412-01	Låsring	Lock ring		
	100	1			1811-2413-01	Lager	Bearing		
	101	1			9699-0035-02	Planbricka	Flat washer		
	102	1			9747-1031-02	Låsmutter	Lock nut		
	103	1			1811-2420-01	Fäste	Bracket		
	104	2			9997-0610-16	Skruv	Screw		
	105	1			1811-2465-01	Växelförararm	Gear lever		
	106	1			1811-2428-01	Drivskiva	Drive pulley		
	107	1			1811-2429-01	Axeltapp	Shaft		
	108	2			1811-2414-01	Lager	Bearing		
	109	1			1811-2424-01	Fäste-drivskiva	Bracket-drive pulley		
	110	1			9599-0054-02	Saxpinne	Cotter pin		
	111	1			9747-1031-02	Låsmutter	Lock nut		

15"
Electric starter

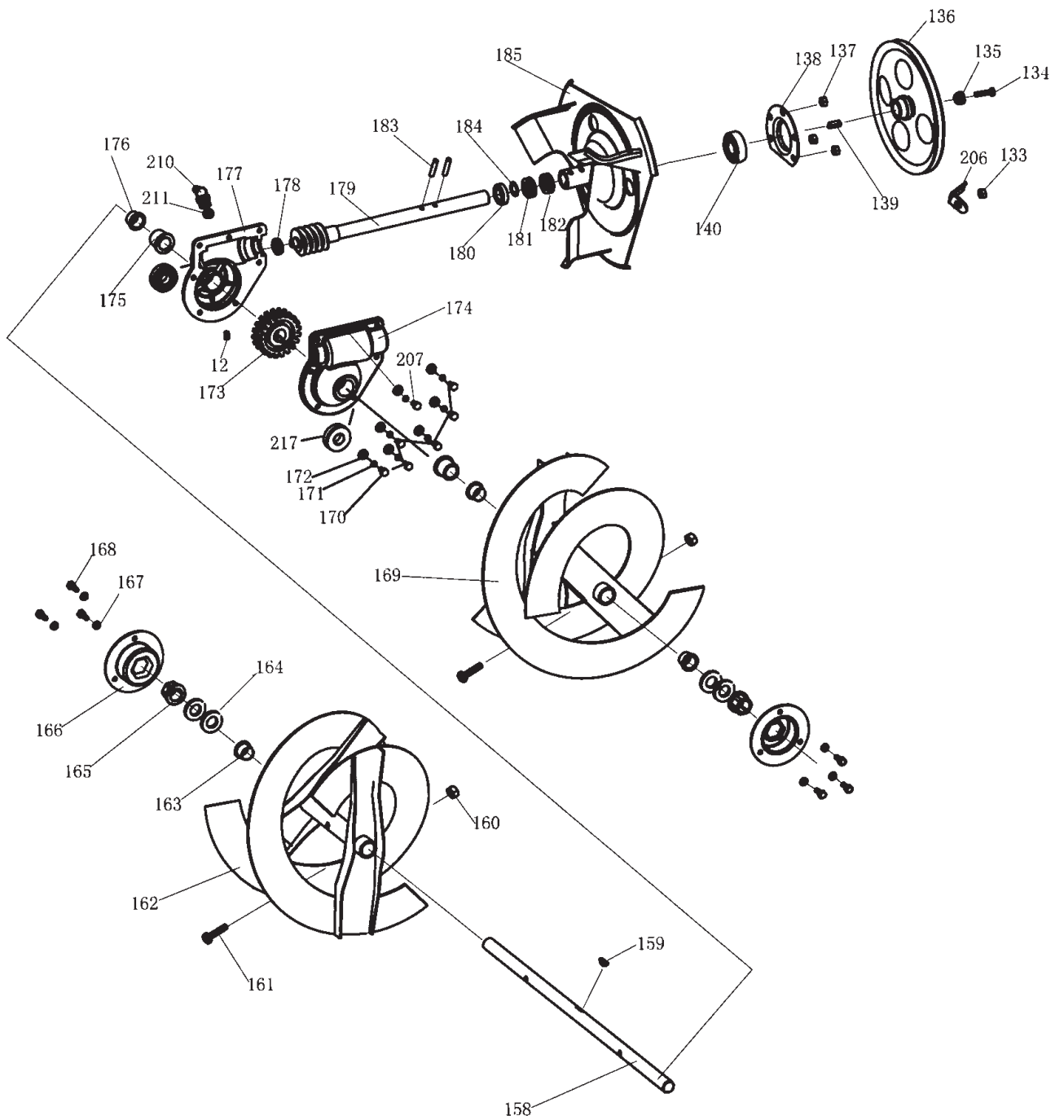
L = 30 mm
L = 20 mm



Utgåva Issue 2010-14		Bildnr Picture No 2172B		SNOW CRYSTAL ES TRANSMISSION		SNOW CRYSTAL ES TRANSMISSION		Sida Page 8	
Pos. Fig.	Antal/Quantity				Art nr Part No	Benämning	Description	Sats Kit	Anmärkning Notes
	2804	-32							
X	112	1			1811-2483-01	Fjäder.....	Spring.....		
	113	1			1811-2489-01	Hylsa.....	Collar.....		
	114	1			9699-0037-02	Bricka	Washer.....		
	184	1			1811-2477-01	Bricka	Washer.....		
	215	1			9650-0019-04	Låsring.....	Retainer ring.....		
	218	1			9699-0037-02	Bricka	Washer.....		
X	219	1			1811-2581-01	Kil.....	Key.....		
X	220	1			1811-2592-01	Värmeskydd.....	Heat guard.....		



Utgåva Issue 2010-14		Bildnr Picture No 2173B		SNOW CRYSTAL ES INMATNINGSHUS		SNOW CRYSTAL ES AUGER HOUSING		Sida Page 10	
Pos. Fig.	Antal/Quantity				Art nr Part No	Benämning	Description	Sats Kit	Anmärkning Notes
	2804 -32	2804 -31							
57	1			9699-0028-02	Planbricka	Flat washer			
115	1			9747-0631-02	Låsmutter	Lock nut			
116	1			1811-2438-01	Fäste-gul	Bracket-yellow			
117	2			9699-0025-02	Planbricka	Washer			
118	2			9997-0610-16	Skruv	Screw			
119	1			1811-2440-01	Wirerulle	Wire pulley			
120	1			1811-2476-01	Ansatsbult	Shoulder bolt			
121	1			1811-2425-01	Spännrulle m.lager	Tension roller w.bear			
122	1			1811-2426-01	Distans	Spacer			
123	1			9997-0845-12	Skruv	Screw			
124	1			1811-2427-01	Bricka	Washer			
125	1			9747-0831-02	Mutter	Lock nut			
126	1			9747-1031-02	Låsmutter	Lock nut			
127	1			9699-0035-02	Planbricka	Flat washer			
128	1			1811-2448-01	Spännarm	Tension arm			
129	1			1811-2457-01	Fjäder	Spring			
130	1			1811-2475-01	Skruv	Screw			
131	1			1811-2462-01	Fjäder	Spring			
132	2			9699-0028-02	Planbricka	Flat washer			
133	1			9747-0831-02	Mutter	Lock nut			
148	2			9747-0831-02	Mutter	Lock nut			
149	2			9898-0820-16	Skruv	Screw			
150	4			9747-0831-02	Mutter	Lock nut			
151	1			1811-2549-01	Skrapskär	Shave plate			
152	2			9898-0820-16	Skruv	Screw			
153	4			9699-0056-02	Planbricka	Flat washer			
154	2			9747-0831-02	Mutter	Lock nut			
155	2			9699-0056-02	Planbricka	Flat washer			
156	2			1811-2568-01	Släpsko	Skid shoe			
X 157	1			1811-2590-01	Snöskruvhus	Auger housing			
186	4			9898-0820-16	Skruv	Screw			
187	2			9699-0056-02	Planbricka	Flat washer			
188	2			9747-0831-02	Mutter	Lock nut			
189	2			9747-0631-02	Låsmutter	Lock nut			
190	2			9997-0616-16	Skruv	Screw			
191	6			9747-0631-02	Låsmutter	Lock nut			
192	3			1811-2445-01	Flänsbricka	Chute washer			
194	6			1811-2551-01	Skruv	Screw			
195	2			9747-0831-02	Mutter	Lock nut			
196	2			1811-2498-01	Låsratt	Locking knob			
197	2			9898-0825-16	Skruv	Screw			
198	1			1811-2571-01	Utkaströr	Chute			
199	1			9997-0620-16	Skruv	Screw			
200	1			1811-2461-01	Fjäder	Spring			
201	1			9747-0631-02	Låsmutter	Lock nut			
202	1			1811-2432-01	Utkastskydd	Chute guard			
203	1			1811-2500-01	Rensdon	Cleaner stick			
204	2			9898-0820-16	Skruv	Screw			
205	1			1811-2572-01	Fäste-rendon	Cleaner stick bracket			
212	1			1811-2553-01	Brytbult	Shear bolt			
213	1			1811-2546-01	Låsmutter	Lock nut			
214	2			1811-2547-01	Gummi block	Rubber block			



Utgåva Issue 2010-14		Bildnr Picture No 2174C		SNOW CRYSTAL ES SNÖSKRUV		SNOW CRYSTAL ES AUGER		Sida Page 12	
Pos. Fig.	Antal/Quantity				Art nr Part No	Benämning	Description	Sats Kit	Anmärkning Notes
	2804	-32							
12	1				9997-0510-16	Skruv.....	Screw.....		
133	1				9747-0831-02	Mutter.....	Lock nut.....		
134	1				9997-0820-16	Skruv.....	Screw.....		
135	1				9699-0056-02	Planbricka.....	Flat washer.....		
136	1				1811-2556-01	Remskiva.....	Belt pulley.....		
137	3				9747-0831-02	Mutter.....	Lock nut.....		
138	1				1811-2422-01	Lagerskål.....	Bearing cover.....		
139	1				9600-0170-00	Plattkil.....	Flat key.....		
140	1				1811-2415-01	Lager.....	Bearing.....		
158	1				1811-2552-01	Snöskruvaxel.....	Auger shaft.....		
159	1				1811-2416-01	Kil.....	Key.....		
160	2				9747-0831-02	• Mutter.....	• Lock nut.....		
161	1				1811-9012-01	Brytbultsats.....	Shear bolt kit.....		Inkl. pos 160
162	1				1811-2561-01	Snöskruv-vä.....	Auger-LH.....		
163	1				1811-2443-01	Axelbussning.....	Shaft bushing.....		
164	2				1811-2418-01	Planbricka.....	Flat washer.....		
165	2				1811-2444-01	Axelbussning.....	Shaft bushing.....		
166	2				1811-2449-01	Lagerfäste.....	Bearing cover.....		
167	6				9699-0028-02	Planbricka.....	Flat washer.....		
168	6				9997-0812-16	Skruv.....	Screw.....		
169	1				1811-2562-01	Snöskruv-hö.....	Auger-RH.....		
170	6				9997-0620-16	Skruv.....	Screw.....		
171	7				9683-0025-02	Låsbricka.....	Lock washer.....		
172	7				9699-0025-02	Planbricka.....	Washer.....		
173	1				1811-2463-01	Snäckdrev.....	Worm wheel.....		
174	1				1811-2484-01	Snäckväxelhus-vä.....	Gear housing-LH.....		
174 A	1				1811-2569-01	Packning d:o.....	Gasket.....		Ej ill/not ill
175	1				1811-2490-01	Bussning.....	Bushing.....		
176	4				1811-2443-01	Axelbussning.....	Shaft bushing.....		
177	1				1811-2485-01	Snäckväxelhus-hö.....	Gear housing-RH.....		
178	1				1811-2402-01	Lager.....	Bearing.....		
179	1				1811-2454-01	Fläktaxel.....	Fan shaft.....		Ø = 20 mm
180	1				1811-2403-01	Lager.....	Bearing.....		
181	1				1811-2404-01	Trycklager.....	Thrust bearing.....		
182	1				1811-2405-01	Tätningring.....	Seal ring.....		32 x 20 x 6 mm
183	2				9595-0258-00	Spännstift.....	Locating pin.....		
184	1				1811-2477-01	Bricka.....	Washer.....		
185	1				1811-2419-01	Fläkt.....	Fan.....		
206	1				1811-2591-01	Remstyrning.....	Belt plate.....		
207	1				9997-0625-16	Skruv.....	Screw.....		
210	1				1811-2544-01	Smörjnippel.....	Grease filling joint.....		
211	1				1811-2545-01	Packning.....	Wave gasket.....		
217	2				1811-2580-01	Tätningring.....	Oil seal.....		30 x 19 x 7 mm