



# ***Illustrated Parts List***

*for model:*

## ***SNOW FLAKE / POWER***

*18-2829-33*

*18-2847-34*

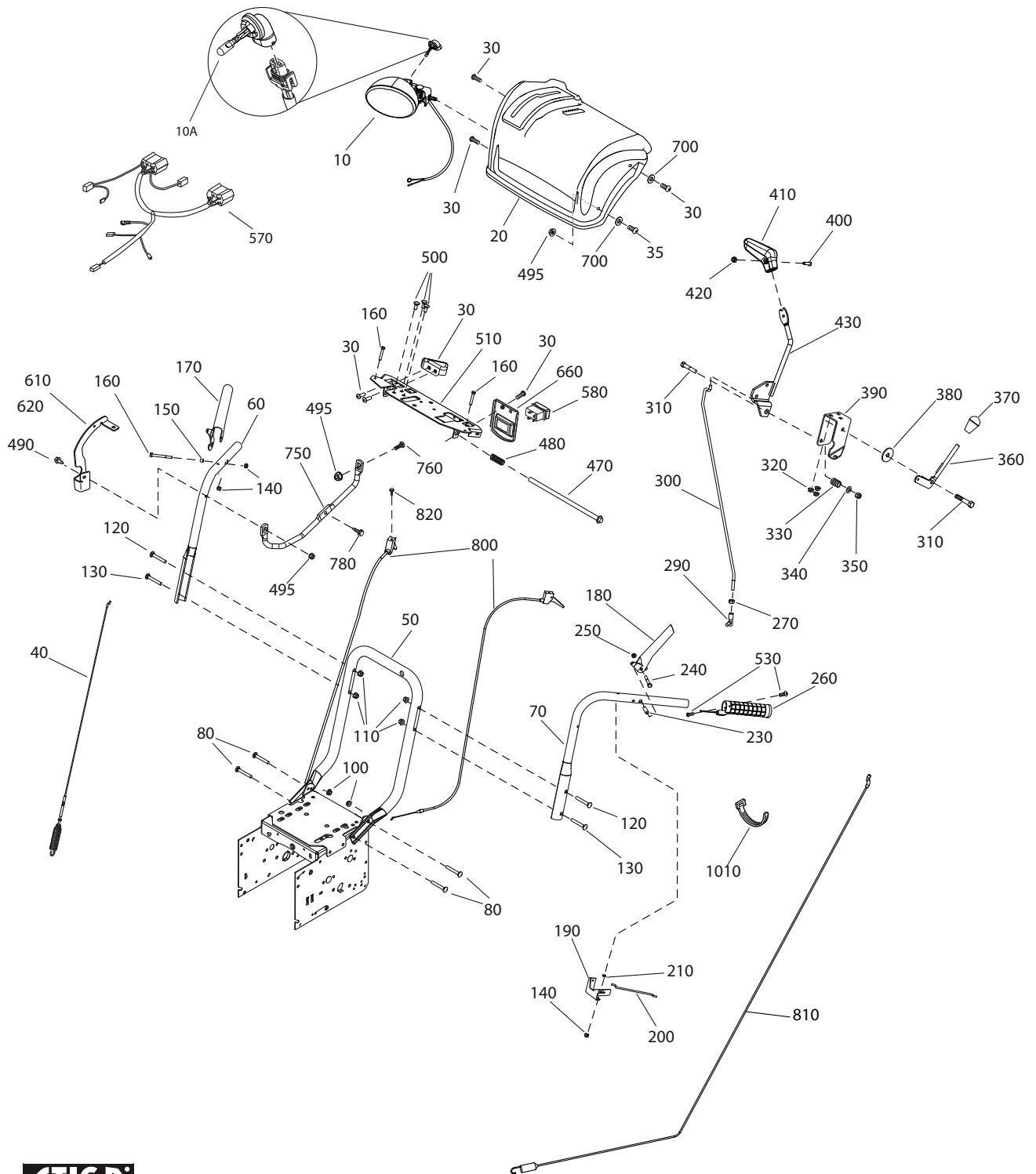
- Use GLOBAL GARDEN PRODUCT Genuine Spare Parts specified in the parts list for repair and/or replacement.
- THE CONTENTS DESCRIBED IN THE PARTS LIST MAY CHANGE DUE TO IMPROVEMENT.
- THE DRAWINGS OF THE SPARE PARTS ARE ONLY INDICATIVE AND MIGHT NOT REPRESENT THE PART IN QUESTION EXACTLY.
- The indications "right" - "left" - "front" - "rear" refer to the position of the operator when using the machine.
- When placing orders of parts for repair and/or replacement, make sure that the illustrated parts list is the one applying to the machine's year of manufacture, as shown on the identification plate attached to the machine.

© Copyright 2015 Global Garden Products

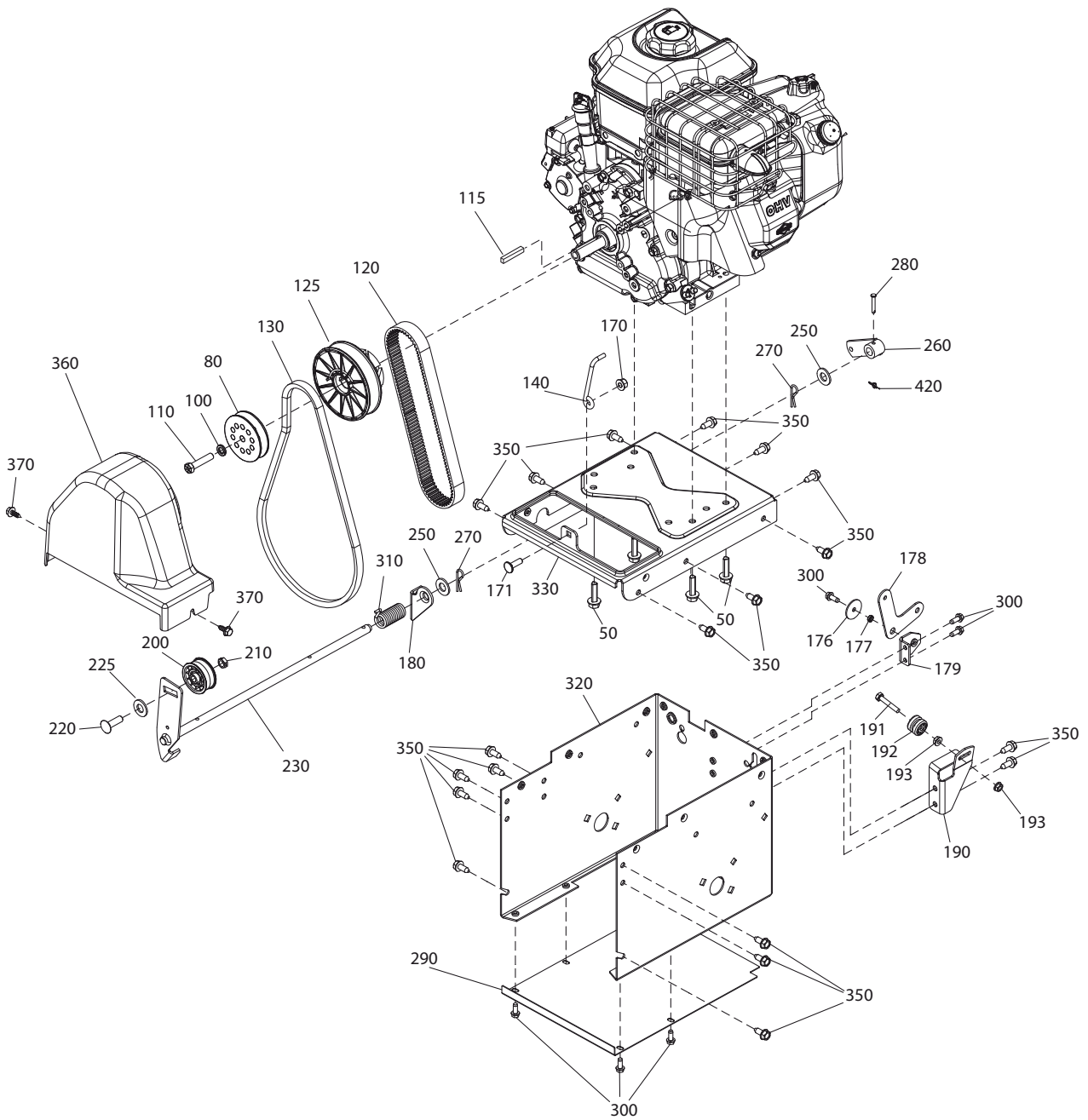
All content is subject to copyright by Global Garden Products and may not be reproduced in whole or in part by any means, elect written approval.

THIS INFORMATION IS NOT INTENDED FOR SALE OR RESALE, AND THIS NOTICE MUST REMAIN ON ALL COPIES.

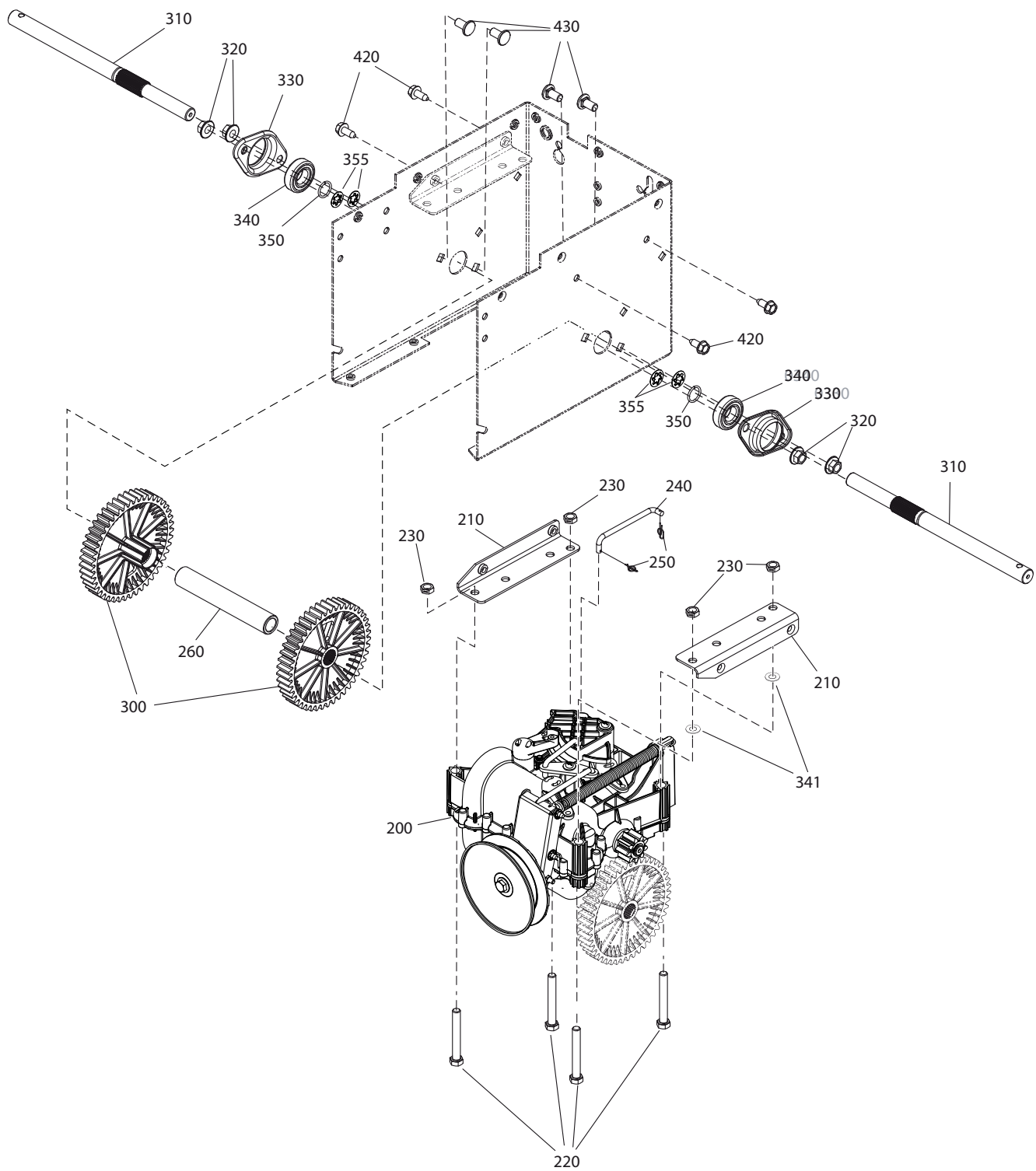
[www.stiga.com](http://www.stiga.com)



Utgåva Issue 2013-11		Bildnr Picture No 2774B		SNOW FLAKE/POWER STYRE REGLAGE		SNOW FLAKE/POWER HANDLE CONTROLS		Sida Page 2	
Pos. Fig.	Antal/Quantity			Art nr Part No	Benämning	Description	Sats Kit	Anmärkning Notes	
	2829	2847							
10	1	1		1812-2548-01	Strålkastare kpl .....	Headlight assy .....			
10A	1	1		1812-1909-01	Halogenlampa.....	Halogene bulb .....			
20	1	1		1812-2628-01	Panel .....	Panel cover.....			
30	6	6		1812-2644-01	Skruv.....	Screw.....			
35	1	1		1812-2265-01	Skruv.....	Screw.....			
40	1	1		1812-2542-01	Reglagewire-snöskruv .....	Drive cable-auger.....			
50	1	1		1812-2519-01	Styre-undre .....	Handle-lower.....			
60	1	1		1812-2540-01	Styre-övre, hö .....	Handle-upper, RH .....			
70	1	1		1812-2541-01	Styre-övre, vä .....	Handle-upper, LH .....			
80	4	4		1812-2545-01	Vagnsbult .....	Carriage bolt.....			
100	4	4		9795-3631-02	Mutter .....	Nut.....			
110	6	6		9743-3621-32	Mutter .....	Nut.....			
120	2	2		1812-2479-01	Vagnsbult .....	Carriage bolt.....			
130	2	2		1812-2476-01	Vagnsbult .....	Carriage bolt.....			
140	4	4		9743-3521-32	Mutter .....	Nut.....			
150	2	2		1812-2148-01	Distans .....	Spacer.....			
160	4	4		9988-3545-12	Skruv.....	Screw.....			
170	1	1		1812-2606-01	Koppl.reglage-hö .....	Clutch lever-RH .....			
180	1	1		1812-2605-01	Koppl.reglage-vä .....	Clutch lever-LH .....			
190	1	1		1812-2231-01	Fäste .....	Bracket .....			
200	1	1		1812-2404-01	Stång .....	Hold down rod .....			
210	1	1		1812-2206-01	Distans .....	Spacer.....			
230	2	2		1812-2412-01	Distans .....	Stepped spacer.....			
240	2	2		1812-3072-01	Ansatsbult.....	Shoulder bolt.....			
250	2	2		1812-2256-01	Mutter .....	Nut.....			
260	2	2		1812-2549-01	Handtag.....	Hand grip .....			
270	1	1		9794-5131-02	Mutter .....	Nut.....			
290	1	1		1812-2562-01	Kulled .....	Ball joint.....			
300	1	1		1812-2529-01	Reglagestång.....	Speed select rod .....			
310	2	2		9988-3751-12	Skruv.....	Screw.....			
320	3	3		9727-3641-22	Mutter .....	Nut.....			
330	2	2		1812-3012-01	Fjäder .....	Spring .....			
340	2	2		9699-0029-02	Planbricka .....	Flat washer .....			
350	2	2		9743-3721-32	Mutter .....	Nut.....			
360	1	1		1812-2725-01	Spak-deflektor .....	Lever-deflector contr.....			
370	1	1		1812-2182-01	Knopp .....	Knob.....			
380	1	1		1812-2648-01	Distans .....	Spacer.....			
390	1	1		1812-2417-01	Fäste.....	Controls brkt .....			
400	1	1		1812-2481-01	Skruv.....	Screw.....			
410	1	1		1812-2379-01	Knopp .....	Knob.....			
420	2	2		1812-2256-01	Mutter .....	Nut.....			
430	1	1		1812-2511-01	Regl.spak-hastighet .....	Speed lever.....			
470	1	1		1812-2718-01	Stång & fjäder.....	Rod & spring.....			
480	1	1		1812-2268-01	Tryckfjäder .....	Comp spring.....			
490	2	2		9988-3545-12	Skruv.....	Screw.....			
495	4	4		9743-3521-32	Mutter .....	Nut.....			
500	3	3		9899-3622-16	Skruv.....	Screw.....			
510	1	1		1812-2575-01	Panelfäste.....	Dash support .....			
530	4	4		1812-2624-01	Skruv.....	Screw.....			
570	1	1		1812-3014-01	Kablage.....	Wiring harness .....			
575	1	1		1812-2931-01	Kablage.....	Wiring harness .....			
580	1	1		1812-2932-01	Brytare .....	Switch .....			
610	1	1		1812-2621-01	Fäste-hö .....	Mounting brkt-RH .....			
620	1	1		1812-2620-01	Fäste-vä.....	Mounting brkt-LH.....			
640	1	1		1812-2573-01	Brytarfäste-hö .....	Chute rotation pod-RH.....			
700	3	3		9699-0026-02	Planbricka.....	Flat washer .....			
750	1	1		1812-2543-01	Stag .....	Shift brace .....			
760	1	1		1812-2486-01	Vagnsbult .....	Carriage bolt.....			
780	1	1		1812-2474-01	Skruv.....	Screw.....			
800	2	2		1812-2538-01	Wire-styrkontroll .....	Cable-steering contr .....			
810	1	1		1812-2539-01	Wire-drivning .....	Cable-traction drive .....			
820	2	2		1812-2650-01	Skruv.....	Screw.....			
1010	4	4		9579-0003-00	Buntband.....	Cable holder .....			



Utgåva Issue 2013-11		Bildnr Picture No 2775A		SNOW FLAKE/POWER RAM MOTOR		SNOW FLAKE/POWER FRAME ENGINE		Sida Page 4	
Pos. Fig.	Antal/Quantity			Art nr Part No	Benämning	Description	Sats Kit	Anmärkning Notes	
	2829	2847							
50	4	4		9955-3732-12	Skruv.....	Screw.....			
80	1	1		1812-2537-01	Remskiva.....	Belt pulley.....			
100	1			9683-0030-02	Låsbricka.....	Lock washer.....		5/16"	
100		1		9683-0035-02	Låsbricka.....	Lock washer.....		3/8"	
110	1			9987-5145-12	Skruv.....	Screw.....		5/16-24x1-3/4"	
110		1		9987-5245-12	Bult.....	Bolt.....		3/8-24x1-3/4"	
115	1	1		1812-2645-01	Kil.....	Key.....			
120	1	1		1812-2515-01	Rem.....	Belt.....			
125	1	1		1812-2507-01	Remskiva.....	Belt pulley.....			
130	1	1		1812-9020-01	Drivrem.....	Drive belt.....			
140	1	1		1812-2532-01	Remstyrning.....	Belt stop.....			
170	1	1		9795-3631-02	Mutter.....	Nut.....			
171	1	1		9899-3625-16	Skruv.....	Screw.....			
176	1	1		1812-2643-01	Bricka.....	Washer.....			
177	1	1		1812-2206-01	Distans.....	Spacer.....			
178	1	1		1812-2527-01	Arm.....	Bell crank.....			
179	1	1		1812-2526-01	Fäste-nedre.....	Bracket-lower.....			
180	1	1		1812-2522-01	Stödfäste-spännarm.....	Supp.brkt-auger idler.....			
190	1	1		1812-2530-01	Fäste-ledrulle.....	Bracket-guide wheel.....			
191	1	1		9988-3538-12	Skruv.....	Screw.....			
192	1	1		1812-1205-01	Spole.....	Spool.....			
193	2	2		9743-3521-32	Mutter.....	Nut.....			
200	1	1		1812-2077-01	Spännrulle.....	Tension roller.....			
210	1	1		9743-3721-32	Mutter.....	Nut.....			
220	1	1		9899-3732-16	Skruv.....	Screw.....			
225	1	1		9699-0035-02	Planbricka.....	Flat washer.....			
230	1	1		1812-2521-01	Spännarm-snöskruv.....	Auger idler.....			
250	2	2		9699-0038-02	Planbricka.....	Flat washer.....			
260	1	1		1812-2804-01	Reglagearm.....	Control arm.....			
270	2	2		1812-2813-01	Låsnål.....	Hair pin.....			
280	1	1		1812-2407-01	Sprint.....	Clevis pin.....			
290	1	1		1812-2516-01	Bottenplåt.....	Bottom panel.....			
300	7	7		1812-2250-01	Skruv.....	Screw.....			
310	1	1		1812-2531-01	Vridfjäder.....	Torsional spring.....			
320	1	1		1812-2514-01	Ram.....	Frame box.....			
330	1			1812-3075-01	Motorplatta.....	Plate, engine mount.....			
330		1		1812-3076-01	Motorplatta.....	Plate, engine mount.....			
350	19	19		1812-2141-01	Skruv.....	Screw.....			
360	1	1		1812-2622-01	Remskydd.....	Belt cover.....			
370	2	2		1812-2748-01	Skruv.....	Screw.....			
420	1	1		1812-2281-01	Låsnål.....	Cotter pin.....			



Utgåva Issue 2013-11		Bildnr Picture No 2776A		SNOW FLAKE/POWER DRIVNING		SNOW FLAKE/POWER TRANSMISSION		Sida Page 6	
Pos. Fig.	Antal/Quantity			Art nr Part No	Benämning	Description	Sats Kit	Anmärkning Notes	
	2829	2847							
200	1	1		1812-2508-01	Transmission kpl.....	Transmission assy .....			
210	2	2		1812-2518-01	Fäste.....	Bracket .....			
220	4	4		1812-2658-01	Skruv.....	Cap screw.....			
230	4	4		9743-3721-32	Mutter.....	Nut.....			
240	1	1		1812-2528-01	Reglagestång.....	Speed select rod .....			
250	2	2		1812-2281-01	Låsnål .....	Cotter pin .....			
260	1	1		1812-2524-01	Stödrör .....	Support tube .....			
300	2	2		1812-2525-01	Drev .....	Drive gear.....			
310	2	2		1812-2523-01	Axel .....	Axle .....			
320	4	4		1132-0695-01	Mutter .....	Nut.....			
330	2	2		1812-2408-01	Lagerhållare.....	Bearing retainer.....			
340	2	2		1812-1920-01	Kullager .....	Ball bearing.....			
341	4	4		9695-0010-00	Schims .....	Washer.....			
350	2	2		1812-2546-01	Låsring .....	Retaining ring.....			
355	4	4		1812-2647-01	Låsbricka .....	Bolt retainer .....			
420	4	4		1812-2141-01	Skruv.....	Screw.....			
430	4	4		1812-2544-01	Vagnsbult .....	Carriage bolt.....			

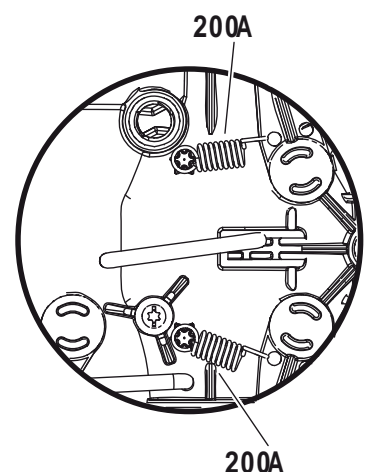
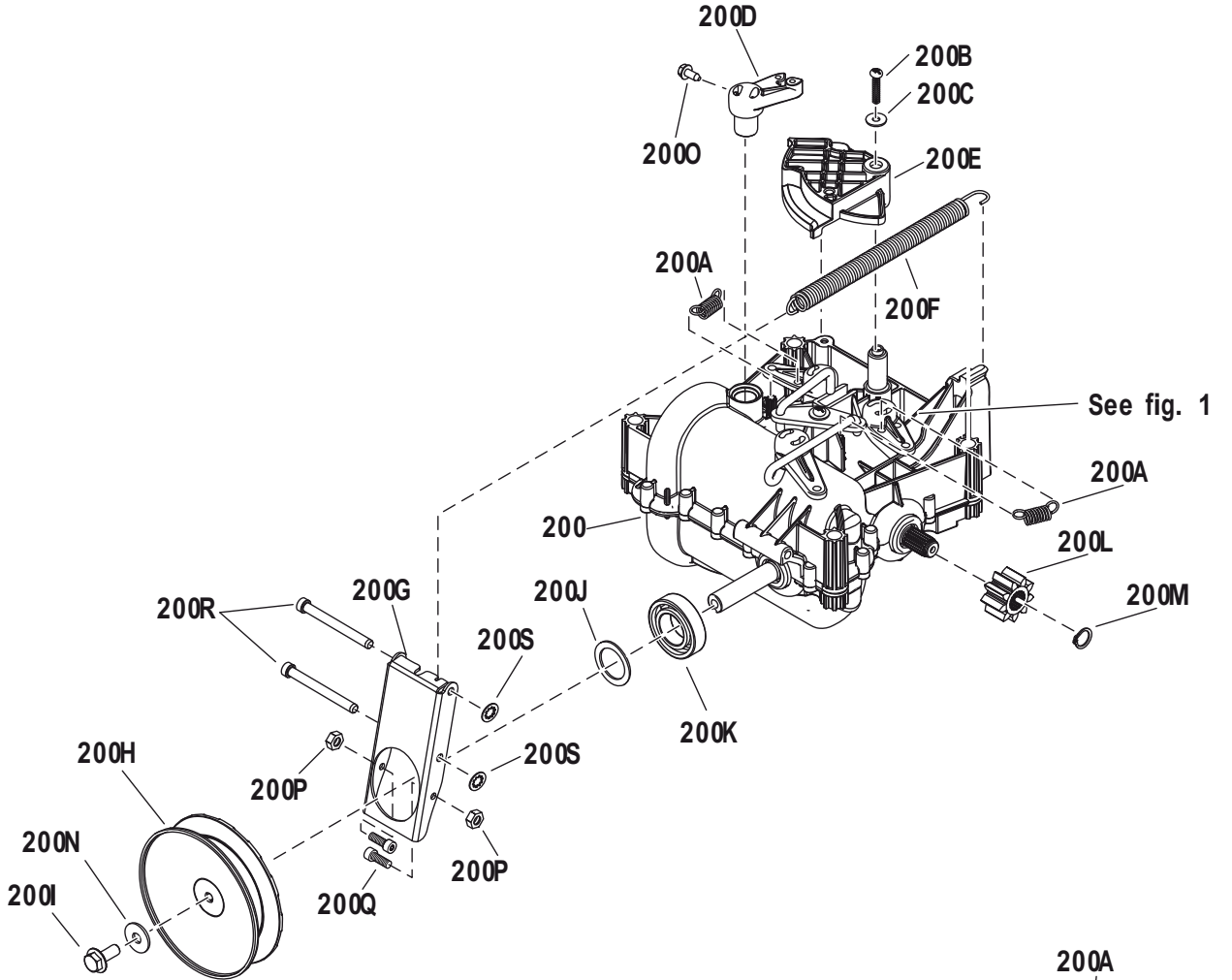
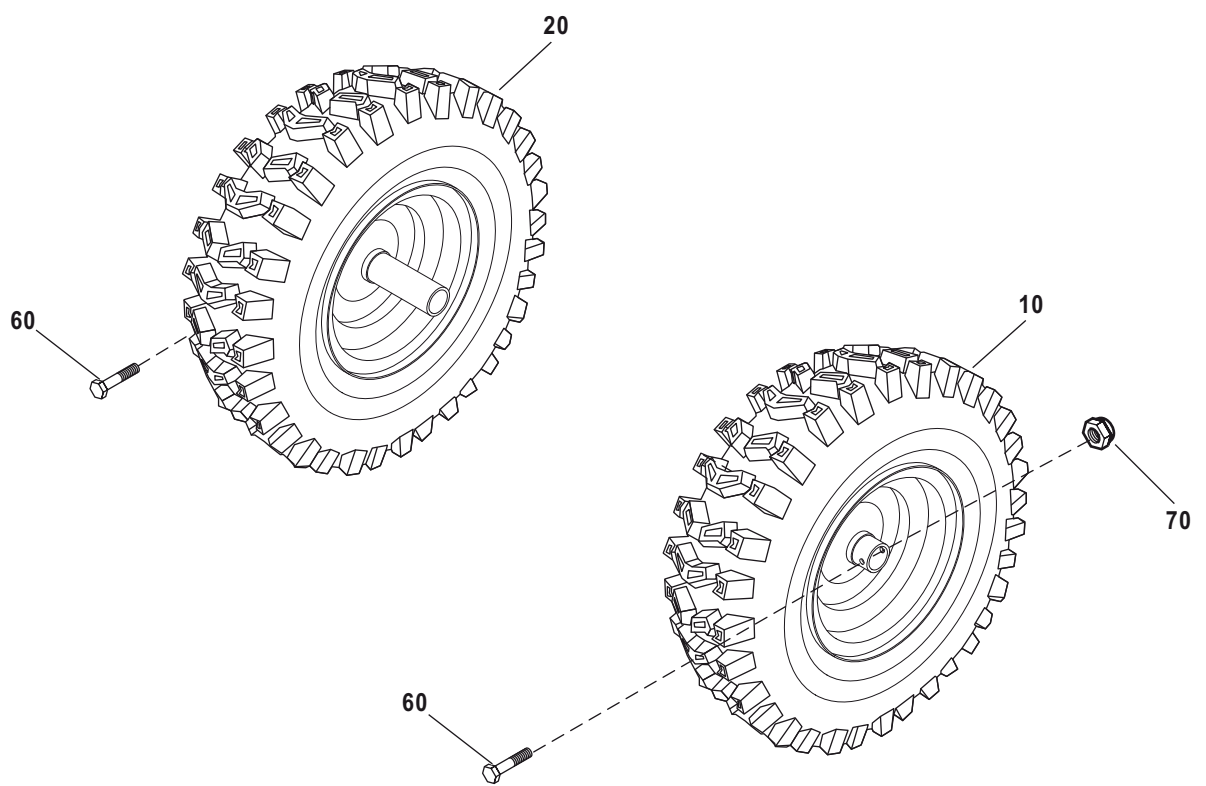


Fig. 1  
Top View of Transmission

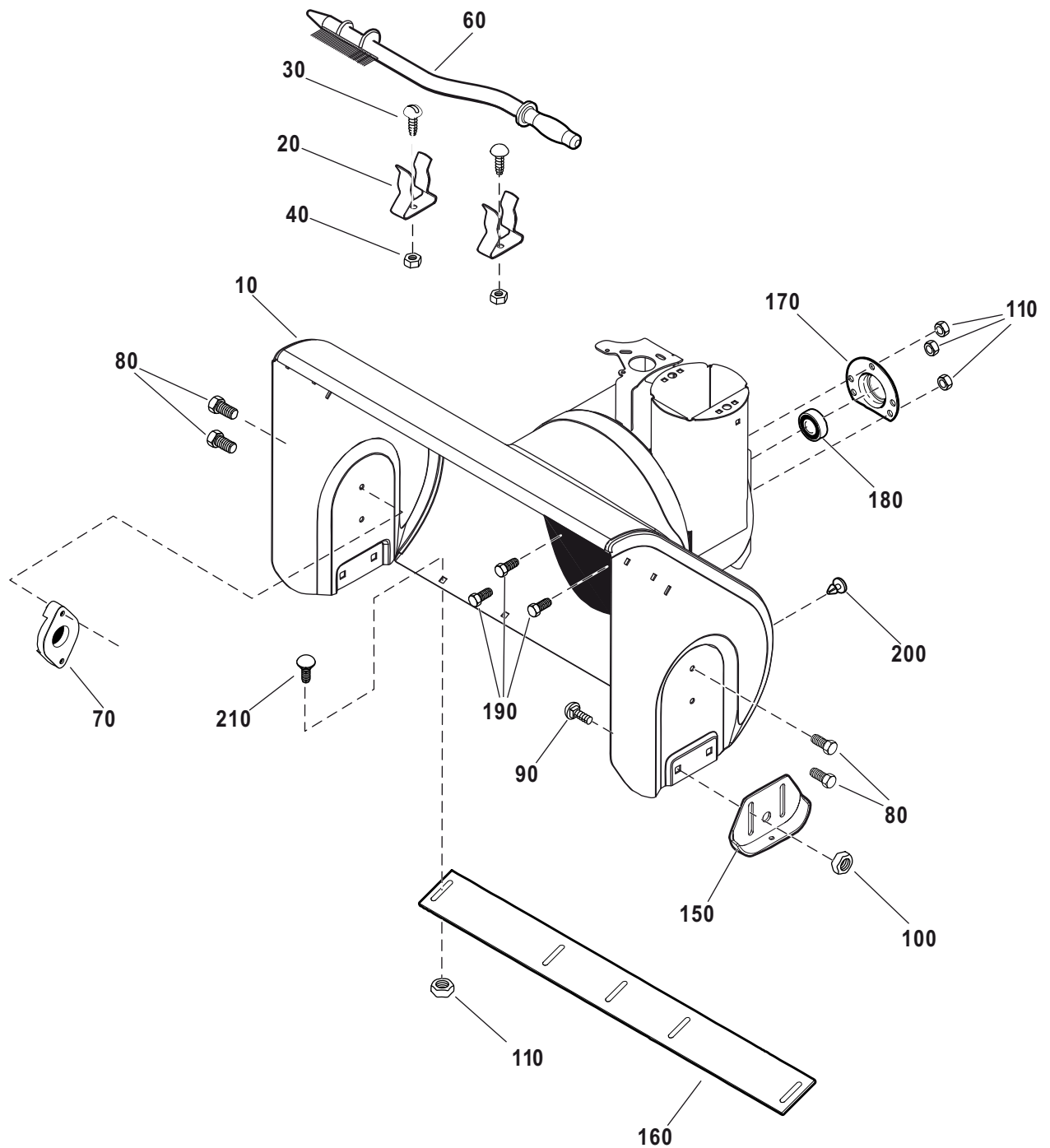


Utgåva Issue 2013-11		Bildnr Picture No 2777		SNOW FLAKE/POWER TRANSMISSION KPL RESERVDELAR		SNOW FLAKE/POWER TRANSMISSION ASSY SERVICE PARTS		Sida Page 8	
Pos. Fig.	Antal/Quantity				Art nr Part No	Benämning	Description	Sats Kit	Anmärkning Notes
	2829	2847							
200	1	1			1812-2508-01	Transmission kpl.....	Transmission assy .....		
200A	2	2			1812-2596-01	Fjäder .....	Traction spring .....		
200B	1	1			1812-2595-01	Skruv .....	Screw .....		
200C	1	1			1812-2591-01	Bricka .....	Washer .....		
200D	1	1			1812-2592-01	Arm .....	Lever .....		
200E	1	1			1812-2594-01	Reglagekam .....	Control cam .....		
200F	1	1			1812-2590-01	Fjäder .....	Variator spring .....		
200G	1	1			1812-2583-01	Arm .....	Shift arm .....		
200H	1	1			1812-2582-01	Remskiva .....	Pulley .....		
200I	1	1			1812-2580-01	Skruv-vä .....	Screw-left .....		
200J	1	1			1812-2588-01	Bricka .....	Washer .....		
200K	1	1			1812-2589-01	Kullager .....	Ball bearing .....		
200L	2	2			1812-2598-01	Drev .....	Gear .....		
200M	2	2			1812-2597-01	Hållare-drev .....	Retainer .....		
200N	1	1			1812-2581-01	Bricka .....	Washer .....		
200O	4	4			1812-2593-01	Skruv .....	Screw .....		
200P	2	2			1812-2584-01	Mutter .....	Nut .....		
200Q	2	2			1812-2585-01	Insexbult .....	Allen bolt .....		
200R	2	2			1812-2586-01	Sprint .....	Pin .....		
200S	4	4			1812-2587-01	Starlockbricka .....	Starlock washer .....		

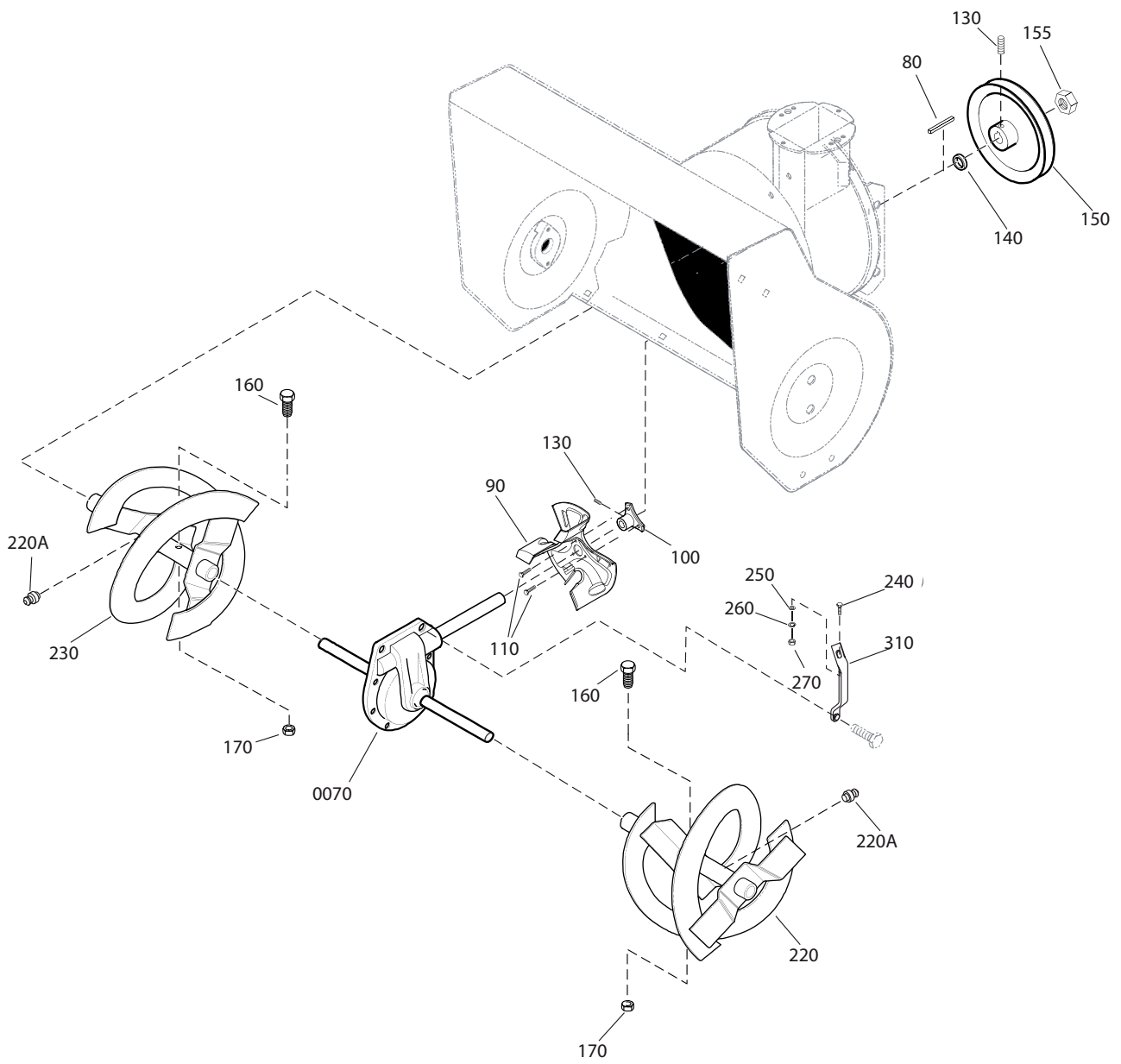




Utgåva Issue 2013-11		Bildnr Picture No 2778		SNOW FLAKE/POWER HJUL		SNOW FLAKE/POWER WHEELS		Sida Page 10	
Pos. Fig.	Antal/Quantity			Art nr Part No	Benämning	Description	Sats Kit	Anmärkning Notes	
	2829	2847							
10	1	1		1812-3077-01	Hjul kpl-vä.....	Wheel & tire assy-LH .....			
20	1	1		1812-3078-01	Hjul kpl-hö.....	Wheel & tire assy-RH .....			
60	2	2		1812-1114-01	Bult .....	Bolt.....			
70	2	2		1812-1760-01	Mutter .....	Nut.....			



Utgåva Issue		Bildnr Picture No		SNOW FLAKE/POWER INMATNINGSHUS	SNOW FLAKE/POWER AUGER HOUSING	Sida Page		
2013-11		2779				12		
Pos. Fig.	Antal/Quantity			Art nr Part No	Benämning	Description	Sats Kit	Anmärkning Notes
	2829	2847						
x 10	1			1812-3127-01	Inmatningshus.....	Auger housing .....		29" (74 cm)
10		1		1812-2721-01	Inmatningshus.....	Auger housing .....		33" (84 cm)
20	2	2		1812-2413-01	Klämma .....	Spring clamp .....		
30	2	2		1812-2480-01	Skruv.....	Screw.....		
40	2	2		1812-2655-01	Mutter .....	Nut.....		
60	1	1		1812-2400-01	Borste.....	Cleanout brush .....		
70	2	2		1812-0347-01	Lager.....	Bearing .....		
80	4	4		1812-1833-01	Skruv.....	Screw.....		
90	4	4		1812-2487-01	Vagnsbult.....	Carriage bolt.....		
100	4	4		9743-3721-32	Mutter .....	Nut.....		
110	7	9		9727-3641-22	Mutter .....	Nut.....		
150	2	2		1812-2918-01	Släpsko .....	Skid shoe .....		
160	1			1812-2436-01	Skrapskär .....	Scraper blade.....		29"
160		1		1812-2446-01	Skrapskär .....	Scraper blade.....		33"
170	1	1		1812-1690-01	Kullagerhållare .....	Ball bearing retainer.....		
180	1	1		1812-2373-01	Kullager .....	Ball bearing.....		
190	3	3		9899-3622-16	Skruv.....	Screw.....		
200	2	2		1812-1430-01	Plugg.....	Plug .....		
210	4	9		1812-2485-01	Vagnsbult.....	Carriage bolt.....		



Utgåva Issue		Bildnr Picture No		SNOW FLAKE/POWER SNÖSKRUV	SNOW FLAKE/POWER AUGER	Sida Page		
2013-11		2780B				14		
Pos. Fig.	Antal/Quantity			Art nr Part No	Benämning	Description	Sats Kit	Anmärkning Notes
	2829	2847						
70	1			1812-2759-01	Snäckväxel kpl.....	Gear case assy .....		29"
70		1		1812-2760-01	Snäckväxel kpl.....	Gear case assy .....		33"
80	1			1812-3104-01	Kil .....	Key .....		
80		1		1812-1609-01	Kil .....	Key .....		
90	1	1		1812-2767-01	Fläkt.....	Impeller .....		
100	1	1		1812-2553-01	Nav .....	Hub.....		
110	3	3		1812-2641-0	Skruv.....	Screw.....		
130	3	3		1812-2640-01	Stoppskruv .....	Set screw .....		
140	1	1		1812-1739-01	Distans .....	Spacer.....		
150	1	1		1812-1854-01	Remskiva-snöskruv .....	Auger pulley.....		
155	1	1		1812-3025-01	Låsmutter .....	Locking nut .....		
160	2			1812-9005-01	Brytbultsats .....	Shear bolt kit .....		Inkl. pos 170-190
160		2		1812-9006-01	Brytbultsats .....	Shear bolt kit .....		Inkl. pos 170
170		2		1812-0811-01	Låsmutter .....	Locking nut .....		5/16"
170	2			1812-0812-01	Låsmutter .....	Locking nut .....		1/4"
190	2			1812-0531-01	Distans .....	Spacer.....		
220		1		1812-2903-0	Snöskruv-vä.....	Auger-LH.....		33"
220	1			1812-2463-01	Snöskruv-vä.....	Auger-LH.....		29"
220A	2	2		1812-2491-01	Smörjnippel .....	Grease fitting.....		
230		1		1812-2904-01	Snöskruv-hö.....	Auger-RH.....		33"
230	1			1812-2464-01	Snöskruv-hö.....	Auger-RH.....		29"
240		1		1812-3005-01	Skruv.....	Screw.....		
250		2		1812-3041-01	Bricka .....	Washer.....		
260		1		1812-3040-01	Bricka .....	Washer.....		
270		1		1812-2825-01	Mutter .....	Nut.....		
310		1		1812-2447-01	Fäste.....	Bracket .....		