



Illustrated Parts List

for model:

SNOW BLIZZARD

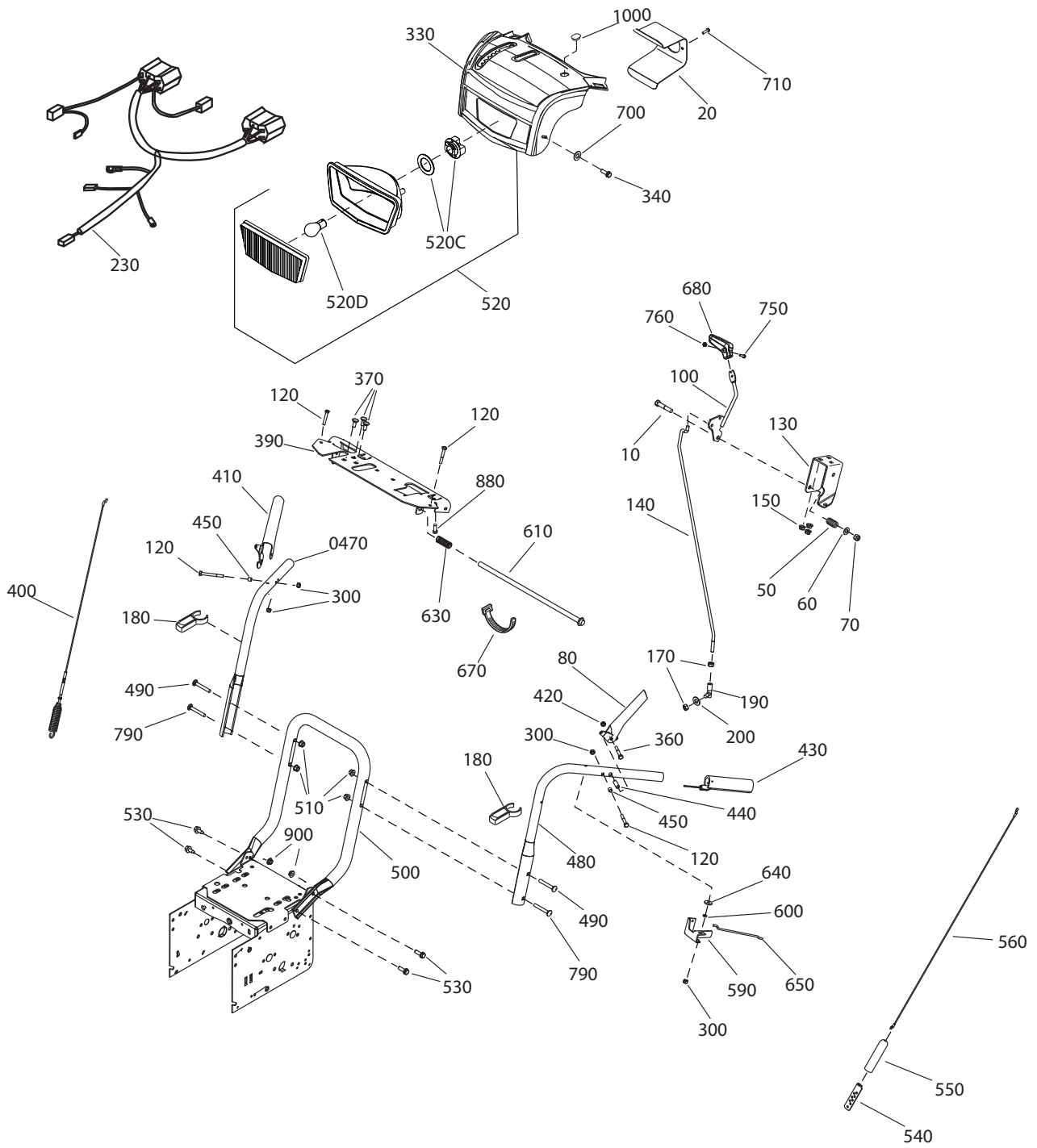
18-2830-33

- Use GLOBAL GARDEN PRODUCT Genuine Spare Parts specified in the parts list for repair and/or replacement.
- THE CONTENTS DESCRIBED IN THE PARTS LIST MAY CHANGE DUE TO IMPROVEMENT.
- THE DRAWINGS OF THE SPARE PARTS ARE ONLY INDICATIVE AND MIGHT NOT REPRESENT THE PART IN QUESTION EXACTLY.
- The indications "right" - "left" - "front" - "rear" refer to the position of the operator when using the machine.
- When placing orders of parts for repair and/or replacement, make sure that the illustrated parts list is the one applying to the machine's year of manufacture, as shown on the identification plate attached to the machine.

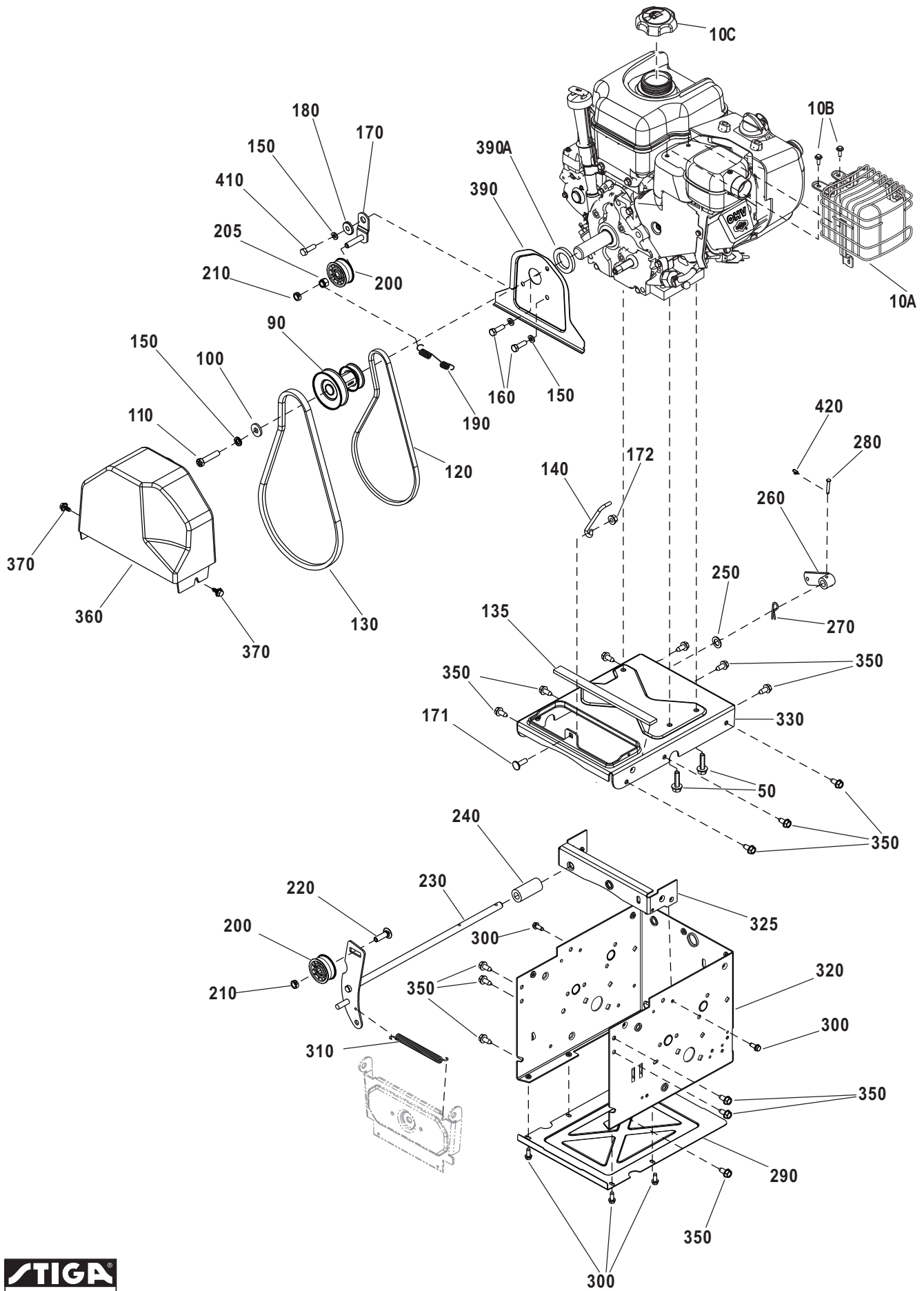
© Copyright 2015 Global Garden Products

All content is subject to copyright by Global Garden Products and may not be reproduced in whole or in part by any means, elect written approval.

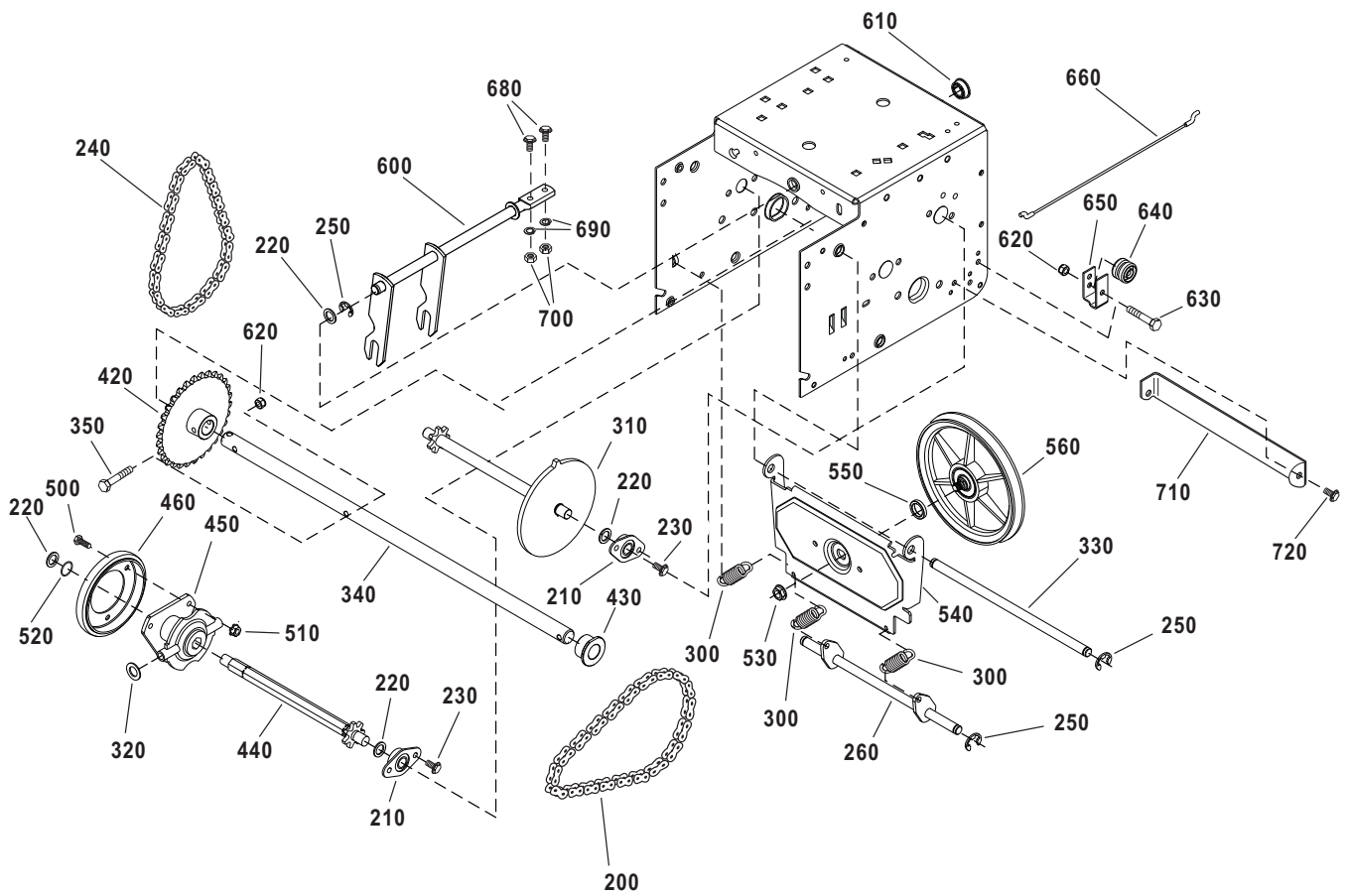
THIS INFORMATION IS NOT INTENDED FOR SALE OR RESALE, AND THIS NOTICE MUST REMAIN ON ALL COPIES.



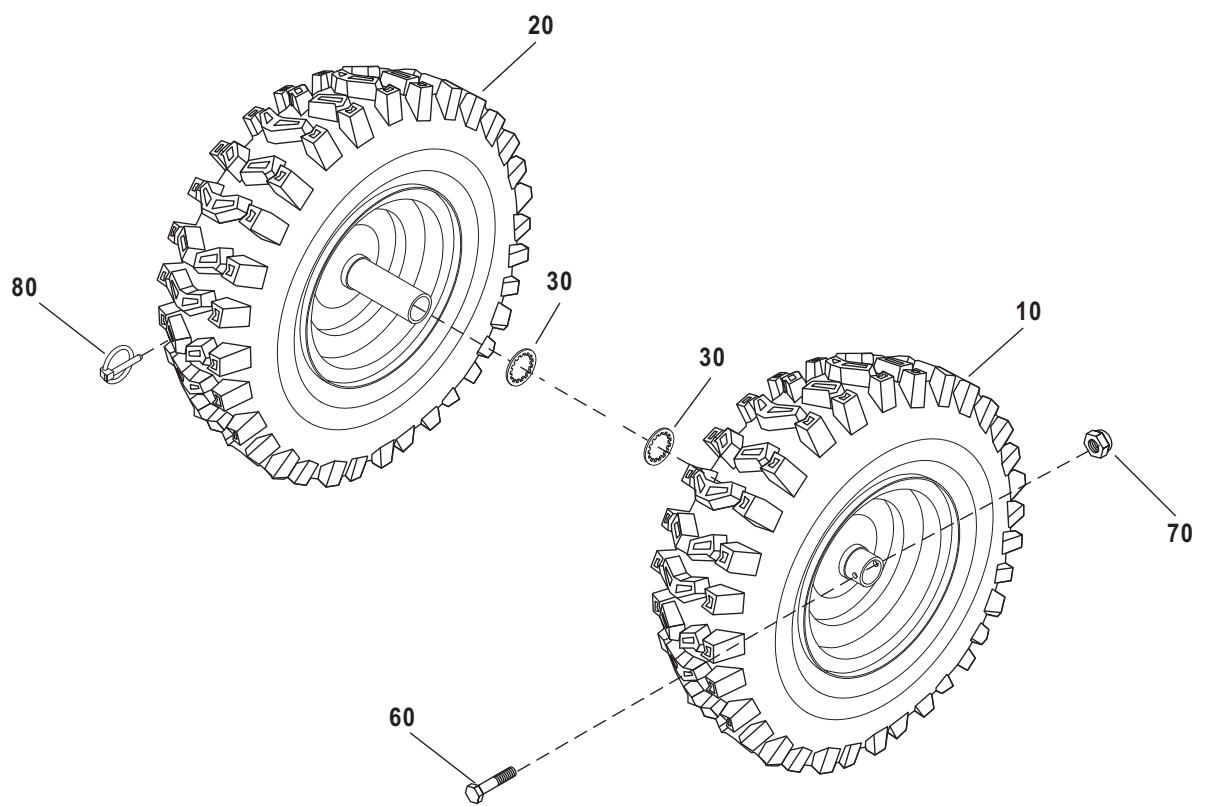
Utgåva Issue 2013-11	Bildnr Picture No 2830A	SNOW BLIZZARD STYRE REGLAGE	SNOW BLIZZARD HANDLE CONTROLS	Sida Page 2					
Pos. Fig.	Antal/Quantity				Art nr Part No	Benämning	Description	Sats Kit	Anmärkning Notes
	2830								
10	1				9988-3751-12	Skruv.....	Screw.....		
20	1				1812-2727-01	Fäste, belysning.....	Bracket, light mount.....		
50	1				1812-3012-01	Fjäder.....	Spring.....		
60	1				9699-0029-02	Planbricka.....	Flat washer.....		
70	1				9743-3721-32	Mutter.....	Nut.....		
80	1				1812-2605-01	Koppl.reglage-vä.....	Clutch lever-LH.....		
100	1				1812-2511-01	Regl.spak-hastighet.....	Speed lever.....		
120	4				9988-3545-12	Skruv.....	Screw.....		
130	1				1812-2417-01	Fäste.....	Controls brkt.....		
140	1				1812-2888-01	Reglagestång.....	Rod, speed control.....		
150	3				9727-3641-22	Mutter.....	Nut.....		
170	2				9794-5131-02	Mutter.....	Nut.....		
180	2				1812-2738-01	Monteringsfäste.....	Bracket, mounting.....		
190	1				1812-2562-01	Kulled.....	Ball joint.....		
200	1				9683-0030-02	Låsbricka.....	Lock washer.....		
230	1				1812-2919-01	Kablage, belysning.....	Wiring harness, light.....		
300	4				9743-3521-32	Mutter.....	Nut.....		
330	1				1812-3091-01	Panel.....	Cover, panel.....		
340	2				1812-2257-01	Skruv.....	Screw.....		
360	2				1812-3072-01	Ansatsbult.....	Shoulder bolt.....		
370	3				9899-3625-16	Skruv.....	Screw.....		
390	1				1812-2575-01	Panelfäste.....	Dash support.....		
400	1				1812-2542-01	Reglagewire-snöskruv.....	Drive cable-auger.....		
410	1				1812-2606-01	Koppl.reglage-hö.....	Clutch lever-RH.....		
420	2				1812-2256-01	Mutter.....	Nut.....		
430	2				1812-2351-01	Handtag.....	Hand grip.....		
440	2				1812-2412-01	Distans.....	Stepped spacer.....		
450	2				1812-2148-01	Distans.....	Spacer.....		
470	1				1812-2890-01	Styre överdel-hö.....	Handle upper-RH.....		
480	1				1812-2889-01	Styre överdel-vä.....	Handle upper-LH.....		
490	2				1812-2479-01	Vagnsbult.....	Carriage bolt.....		
500	1				1812-2519-01	Styre-undre.....	Handle-lower.....		
510	4				9743-3621-32	Mutter.....	Nut.....		
520	1				1812-2726-01	Strålkastare kpl.....	Headlight assy.....		
520C	1				1812-2724-01	Lamphållare & packn.....	Socket & gasket.....		
520D	1				1812-1245-01	Glödlampa.....	Light bulb.....		
530	2				9899-3625-16	Skruv.....	Screw.....		
540	1				1133-0977-01	Wirefäste.....	Cable adjust bracket.....		
550	1				1133-0968-01	Wirehylsa.....	Clutch spring boot.....		
560	1				1812-2126-01	Reglagewire.....	Drive cable.....		
590	1				1812-2231-01	Fäste.....	Bracket.....		
600	3				1812-2206-01	Distans.....	Spacer.....		
610	1				1812-2718-01	Stag+fjäder.....	Rod and spring assy.....		
630	1				1812-2268-01	Tryckfjäder.....	Spring.....		
640	1				1812-2985-01	Bricka.....	Washer.....		
650	1				1812-2404-01	Stag.....	Rod.....		
670	5				1812-2275-01	Buntband.....	Cable tie.....		
680	1				1812-2379-01	Knopp.....	Knob.....		
700	2				9699-0026-02	Planbricka.....	Flat washer.....		
710	2				1812-3007-01	Skruv.....	Screw.....		
750	1				1812-2481-01	Skruv.....	Screw.....		
760	1				1812-2256-01	Mutter.....	Nut.....		
790	2				1812-2476-01	Bult.....	Bolt.....		
880	2				1812-2765-01	Skruv.....	Screw.....		
900	4				9795-3631-02	Mutter.....	Nut.....		
1000	1				1812-2753-01	Plugg.....	Plug.....		
9999	1					Bruksanvisning.....	Owner's manual.....		Ej ill/not ill. As PDF



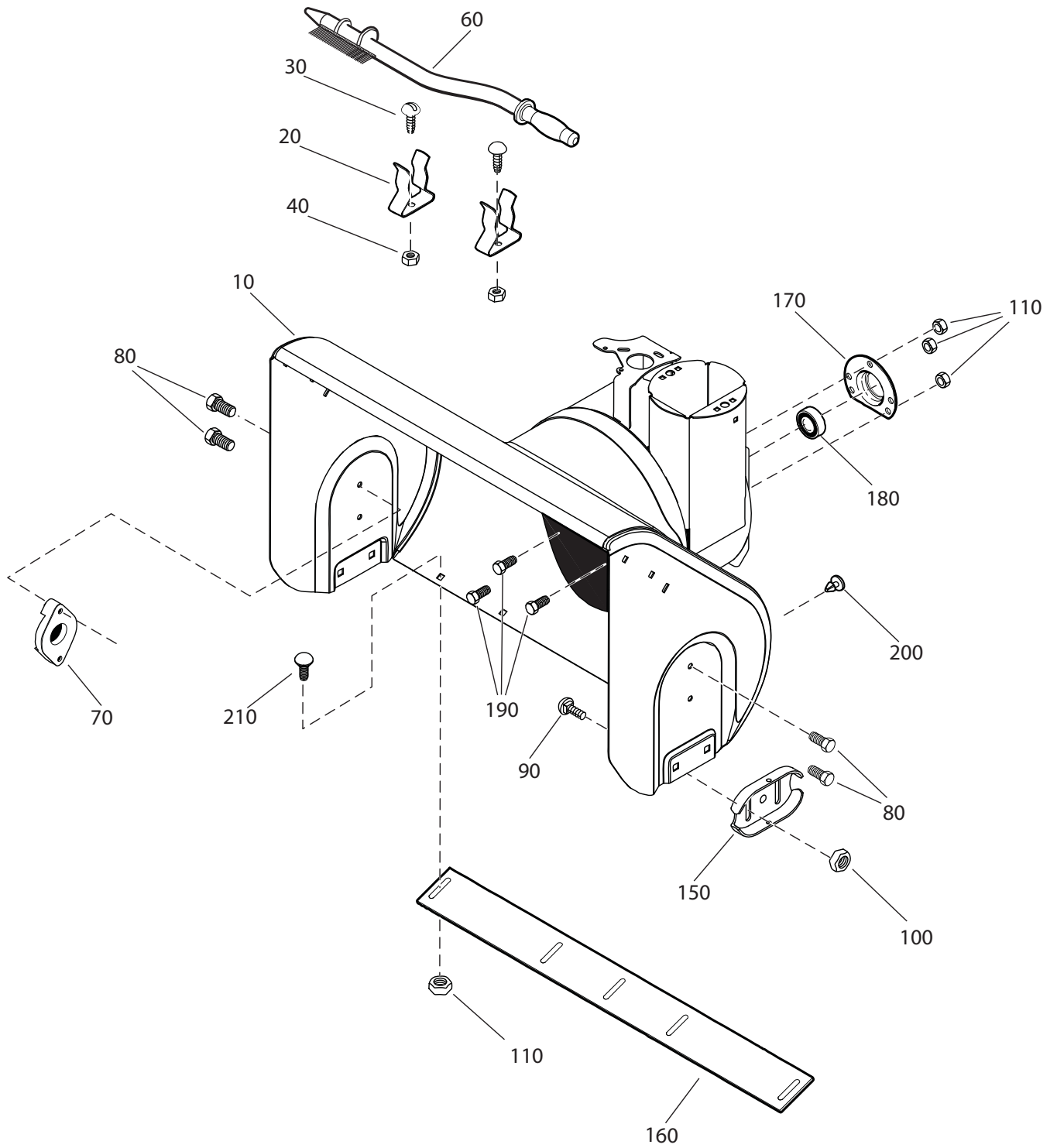
Utgåva Issue 2013-11	Bildnr Picture No 2831	SNOW BLIZZARD RAM MOTOR	SNOW BLIZZARD FRAME ENGINE	Sida Page 4					
Pos. Fig.	Antal/Quantity				Art nr Part No	Benämning	Description	Sats Kit	Anmärkning Notes
	2830								
10A	1				797003	Ljuddämparskydd	Muffler guard		B&S-part B&S-part B&S-part
10B	3				699234	Skruv	Screw		
10C	1				795027	Tanklock	Fuel cap		
50	4				9955-3732-12	Skruv	Screw		
90	1				1812-2739-01	Remskiva	Pulley		
100	3				1812-2248-01	Bricka	Washer		
110	1				9987-5145-12	Skruv	Screw		
120	1				1812-2220-01	Kilrem-drivning	Belt-traction drive		
130	1				1812-9020-01	Drivrem	Drive belt		
135	1				1812-2744-01	Tätninglist	Seal strip		
140	1				1812-2532-01	Remstyrning	Belt stop		
150	4				9683-0030-02	Låsbricka	Lock washer		
160	2				9987-5119-16	Skruv	Screw		
170	1				1812-2742-01	Spännarm	Bracket, idler		
171	1				9899-3625-16	Skruv	Screw		
172	1				9795-3631-02	Mutter	Nut		
180	1				1812-1705-01	Bussning	Bushing		
190	1				1812-2489-01	Fjäder	Ext.idler spring		
200	2				1812-2077-01	Spännrulle	Tension roller		
205	1				9743-3721-32	Mutter	Nut		
210	2				9743-3721-32	Mutter	Nut		
220	1				9899-3732-16	Skruv	Screw		
230	1				1812-2740-01	Spännarm	Idler, auger		
240	1				1812-2743-01	Distans	Spacer, auger brkt		
250	1				9699-0038-02	Planbricka	Flat washer		
260	1				1812-2884-01	Reglagearm	Control arm		
270	1				1812-2813-01	Låsnål	Hair pin		
280	1				1812-2407-01	Sprint	Clevis pin		
290	1				1812-2516-01	Bottenplåt	Bottom panel		
300	6				1812-2250-01	Skruv	Screw		
310	1				1812-1676-01	Fjäder	Tension spring		
320	1				1812-2733-01	Ram	Frame, box		
325	1				1812-2732-01	Fäste	Bracket		
330	1				1812-3076-01	Motorplatta	Plate, engine mount		
350	19				1812-2141-01	Skruv	Screw		
360	1				1812-2622-01	Remskydd	Belt cover		
370	2				1812-2748-01	Skruv	Screw		
390	1				1812-2504-01	Regnskydd	Water shield		
390A	1				1812-2505-01	Tätning	Foam seal		
410	1				9987-5125-16	Skruv	Screw		
420	1				1812-2281-01	Låsnål	Cotter pin		



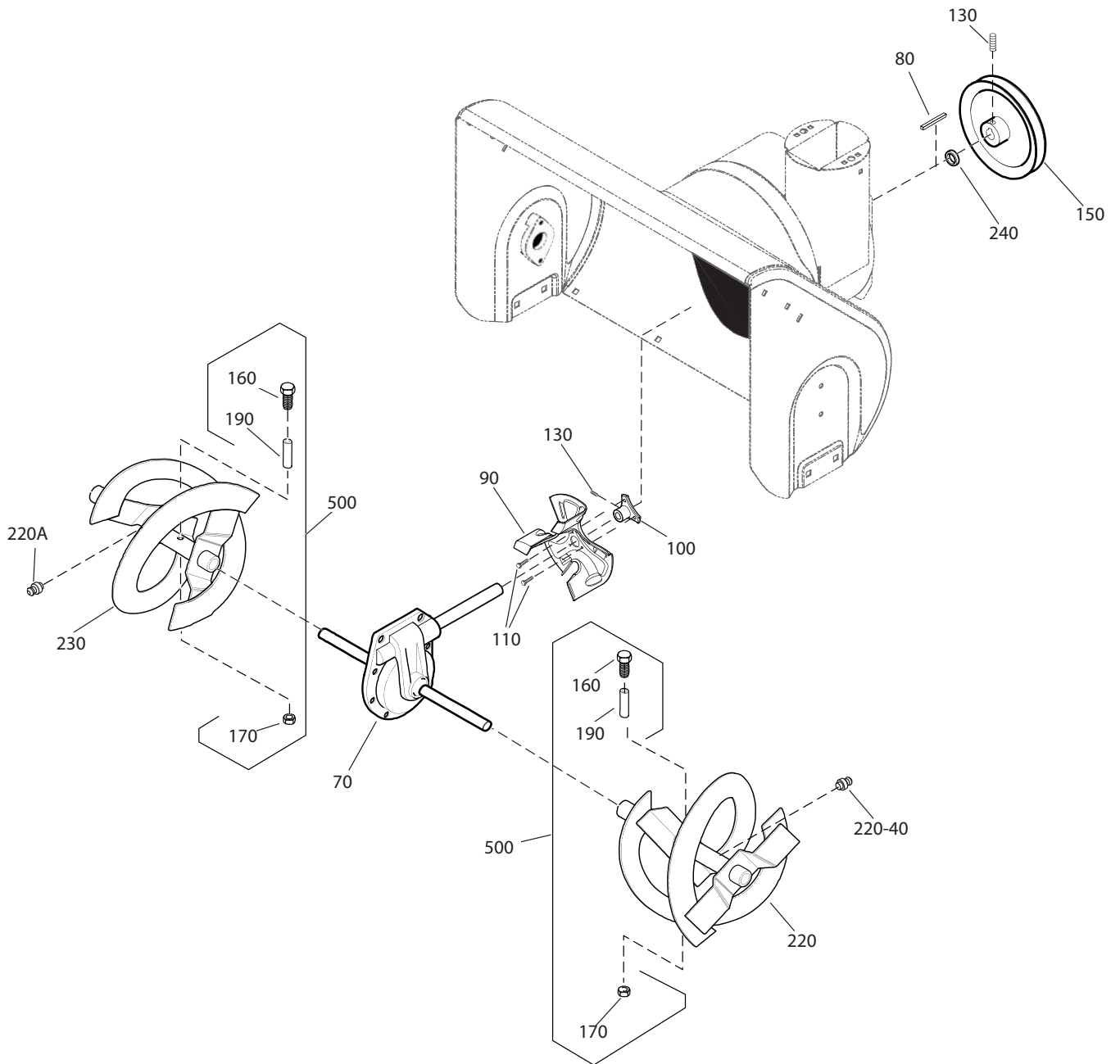
Utgåva Issue 2013-11		Bildnr Picture No 2712A		SNOW BLIZZARD DRIVNING		SNOW BLIZZARD TRACTION DRIVE		Sida Page 6	
Pos. Fig.	Antal/Quantity				Art nr Part No	Benämning	Description	Sats Kit	Anmärkning Notes
	2830								
200	1			1812-1686-01	Kedja.....	Chain.....			
210	4			1812-1178-01	Glidlager m.hållare.....	Bearing & retainer.....			
220	5			1812-1204-01	Bricka.....	Washer.....			
230	8			1812-2249-01	Skruv.....	Screw.....			
240	1			1812-1688-01	Kedja.....	Chain.....			
250	5			1812-1672-01	Låsring.....	Retainer ring.....			
260	1			1812-2076-01	Fjäderlänkarm.....	Spring link.....			
300	3			1812-2410-01	Fjäder.....	Extension spring.....			
310	1			1812-1751-01	Mellanaxel m.drev.....	Intermed. sprocket.....			
320	2			9699-0038-02	Planbricka.....	Flat washer.....			
330	1			1812-2820-01	Axel-svängplatta.....	Axle-swing plate.....			
340	1			1812-1863-01	Hjulaxel.....	Axle shaft.....			
350	1			9988-3545-12	Skruv.....	Screw.....			
420	1			1812-1712-01	Kedjedrev.....	Sprocket.....			
430	2			1812-1724-01	Lager.....	Axle bearing.....			
440	1			1812-1750-01	Sexkantsaxel.....	Hex shaft.....			
450	1			1812-2734-01	Nav, friktionshjul.....	Hub, friction wheel.....			
460	1			1812-9028-01	Friktionshjul.....	Friction disc wheel.....			
500	3			9988-3516-16	Skruv.....	Screw.....			
510	3			9795-3531-02	Mutter.....	Nut.....			
520	1			1812-2380-01	Låsring.....	Retext ring.....			
530	1			1812-2824-01	Flänslåsmutter.....	Flange lock nut.....			
540	1			1812-2819-01	Svängplatta.....	Swing plate.....			
550	1			1812-1739-01	Distans.....	Spacer.....			
560	1			1812-1725-01	Friktionsremskiva.....	Friction pulley.....			
600	1			1812-2821-01	Växelarm.....	Yoke rod.....			
610	1			1812-1219-01	Plastbussning.....	Plastic bushing.....			
620	2			9743-3521-32	Mutter.....	Nut.....			
630	1			9988-3538-12	Skruv.....	Screw.....			
640	1			1812-1205-01	Spole.....	Spool.....			
650	1			1812-2745-01	Fäste, wirerulle.....	Bracket, cable spool.....			
660	1			1812-2746-01	Wire.....	Cable.....			
680	2			9988-3516-16	Skruv.....	Screw.....			
690	2			9683-0025-02	Låsbricka.....	Lock washer.....			
700	2			9743-3521-32	Mutter.....	Nut.....			
710	1			1812-2823-01	Stödstag.....	Support bracket.....			
720	2			1812-2250-01	Skruv.....	Screw.....			



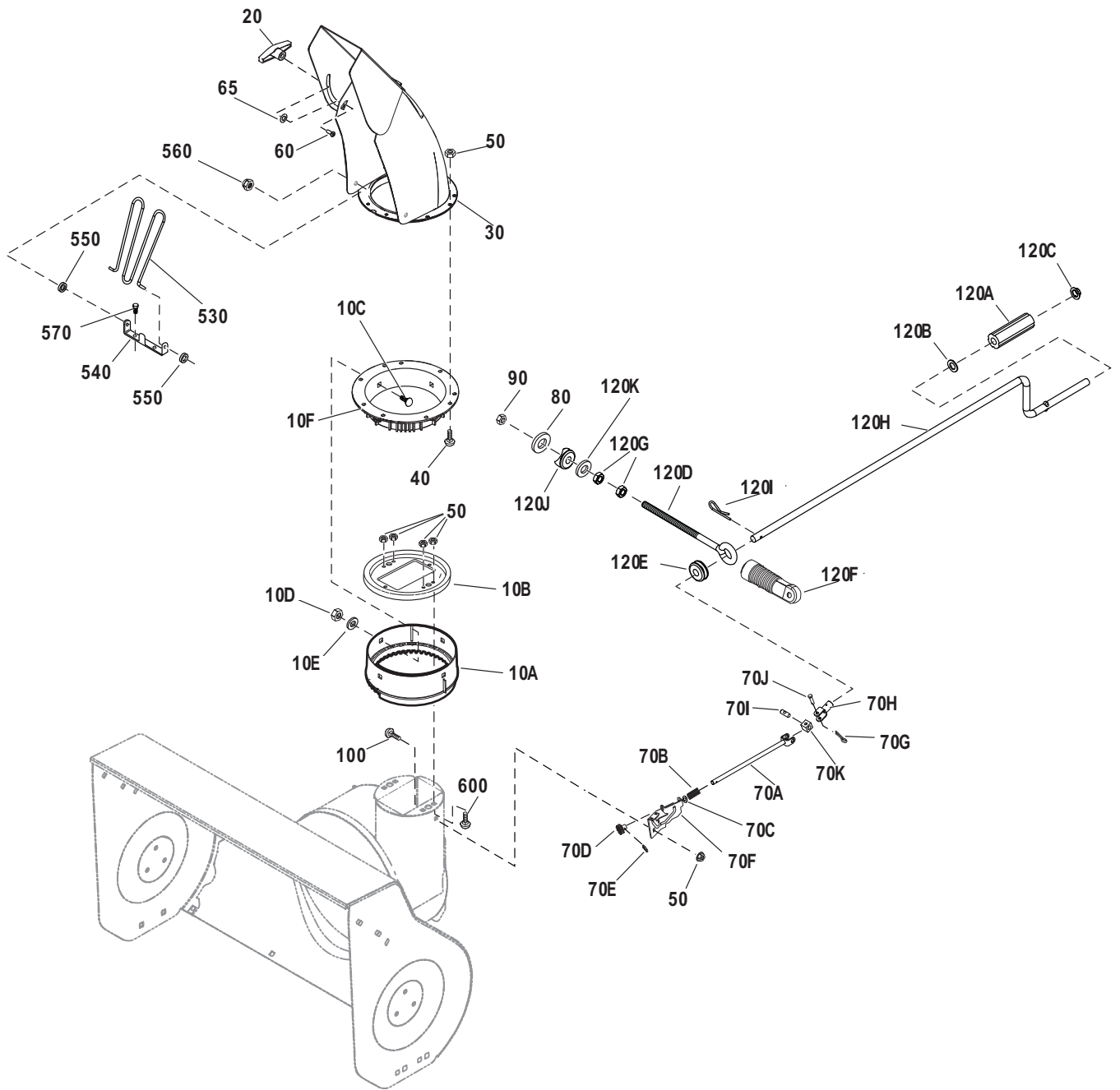
Utgåva Issue 2013-11		Bildnr Picture No 2713B		SNOW BLIZZARD HJUL		SNOW BLIZZARD WHEEL		Sida Page 8	
Pos. Fig.	Antal/Quantity				Art nr Part No	Benämning	Description	Sats Kit	Anmärkning Notes
	2830								
10	1				1812-3077-01	Hjul kpl-vä.....	Wheel & tire assy-LH.....		
20	1				1812-3078-01	Hjul kpl-hö.....	Wheel & tire assy-RH.....		
30	2				1812-2139-01	Låsring.....	Retaining ring.....		
60	1				1812-1114-01	Bult.....	Bolt.....		
70	1				1812-2826-01	Mutter.....	Nut.....		
80	1				1812-0408-01	Låssprint.....	Clik pin.....		



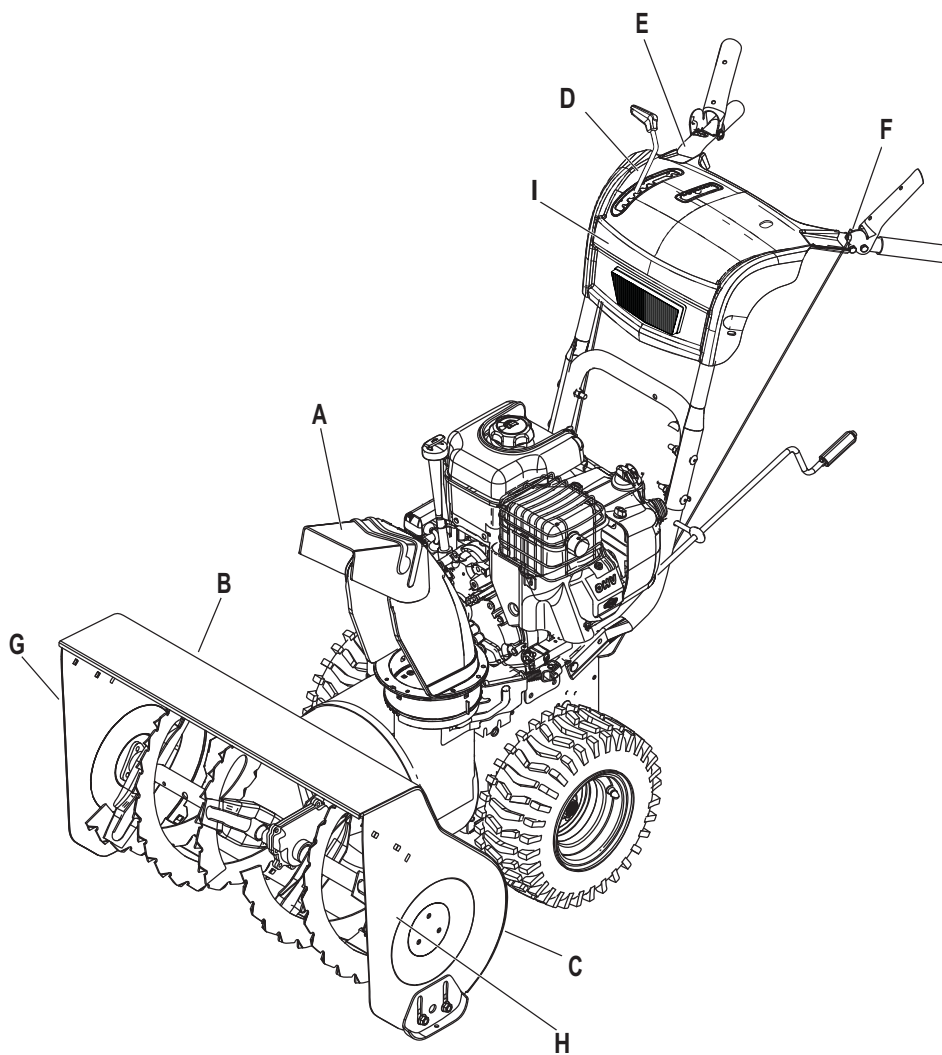
Utgåva Issue 2013-11		Bildnr Picture No 2714B		SNOW BLIZZARD INMATNINGSHUS		SNOW BLIZZARD AUGER HOUSING		Sida Page 10	
Pos. Fig.	Antal/Quantity				Art nr Part No	Benämning	Description	Sats Kit	Anmärkning Notes
	2830								
x 10	1				1812-3123-01	Inmatninghus	Auger housing		27" (69 cm)
20	2				1812-2413-01	Klämma	Spring clamp		
30	2				1812-2480-01	Skruv	Screw		
40	2				1812-1912-01	Mutter	Nut		
60	1				1812-2400-01	Borste	Cleanout brush		
70	2				1812-0878-01	Lager	Bearing		
80	6				9988-3619-16	Skruv	Screw		
90	4				1812-2487-01	Vagnsbult	Carriage bolt		
100	4				9743-3721-32	Mutter	Nut		
110	13				9727-3641-22	Mutter	Nut		
150	2				1812-2466-01	Släpsko	Skid shoe		
160	1				1812-2470-01	Skrapskär	Scraper blade		
170	1				1812-1690-01	Kullagerhållare	Ball bearing retainer		
180	1				1812-2373-01	Kullager	Ball bearing		
190	3				9899-3622-16	Skruv	Screw		
200	2				1812-1430-01	Plugg	Plug		
210	4				1812-2485-01	Vagnsbult	Carriage bolt		



Utgåva Issue 2013-11		Bildnr Picture No 2715B		SNOW BLIZZARD SNÖSKRUV		SNOW BLIZZARD AUGER DRIVE		Sida Page 12	
Pos. Fig.	Antal/Quantity				Art nr Part No	Benämning	Description	Sats Kit	Anmärkning Notes
	2830								
X 70	1				1812-2937-01	Snäckväxel kpl.....	Gear case assy		
80	1				1812-1609-01	Kil	Key		
90	1				1812-2554-01	Impeller.....	Impeller		
100	1				1812-2553-01	Nav, impeller	Hub, impeller		
110	3				1812-2641-01	Skruv.....	Screw.....		
130	3				1812-3124-01	Skruv.....	Screw.....		
150	1				1812-1854-01	Remskiva	Pulley		
160	1				1812-9005-01	Brytbultsats.....	Shear bolt kit		
170	2				1812-0812-01	Mutter	Nut.....		
190	2				1812-1739-01	Distans	Spacer.....		
220	1				1812-2916-01	Snöskruv-vä.....	Auger-LH.....		
220A	2				1812-2491-01	Smörjnippel	Grease fitting.....		
230	1				1812-2917-01	Snöskruv-hö.....	Auger-RH.....		
240	1				1812-1739-01	Distans	Spacer.....		



Utgåva Issue 2013-11		Bildnr Picture No 2717B		SNOW BLIZZARD UTKAST		SNOW BLIZZARD DISCHARGE CHUTE		Sida Page 14	
Pos. Fig.	Antal/Quantity				Art nr Part No	Benämning	Description	Sats Kit	Anmärkning Notes
	2830								
X 10A	1				1812-1787-01	Utkastring-yttre.....	Retainer ring-outer		
10B	1				1812-1983-01	Utkastplatta.....	Chute rotate collar		
10C	4				9899-3625-16	Skruv.....	Screw.....		
10D	4				9743-3621-32	Mutter.....	Nut.....		
10E	4				9699-0029-02	Planbricka.....	Flat washer		
10F	1				1812-2472-01	Ring-inre.....	Chute ring-inner		
20	1				1812-1928-01	Låsraff.....	Wing knob.....		
30	1				1812-3125-01	Utkast.....	Chute assy.....		
40	4				1812-2477-01	Skruv.....	Cap screw.....		
50	9				9743-3521-32	Mutter.....	Nut.....		
60	1				1812-1678-01	Vagnsbult.....	Carriage bolt.....		
65	1				1812-2278-01	Nylonbricka.....	Nylon washer		
70	1				1812-2367-01	Inställn.vev-undre.....	Gear/yoke rod-lower.....		Inkl. pos 70A-70K
70A	1				1812-1826-01	Gaffelstång.....	Yoke and rod		
70B	1				1812-1761-01	Fjäder.....	Spring.....		
70C	1				1812-2814-01	Bricka.....	Washer.....		
70D	1				1812-1706-01	Drev.....	Gear.....		
70E	1				1812-1791-01	Låsnål.....	Hair pin.....		
70F	1				1812-2915	Fäste.....	Support.....		
70G	1				9599-0033-00	Saxsprint.....	Split pin.....		
70H	1				1812-1708-01	Gaffel.....	Yoke adapter.....		
70I	1				1812-1316-01	Axel.....	Universal pin.....		
70J	1				1812-1318-01	Sprint.....	Clevis pin.....		
70K	1				1812-1317-01	Ledknut.....	Universal pivot block.....		
80	1				9699-0035-02	Planbricka.....	Flat washer		
90	1				9743-3721-32	Mutter.....	Nut.....		
100	1				1812-1831-01	Skruv.....	Screw.....		
120	1				1812-2457-01	Inställn.vev-övre kpl.....	Rod-upper assy.....		Inkl. pos 120A-120K
120A	1				1812-1168-01	Handtag.....	Handle.....		
120B	2				1812-1171-01	Bricka.....	Washer.....		
120C	1				1812-1483-01	Låsning.....	Retainer.....		
120D	1				1812-1821-01	Öglebult.....	Eye bolt.....		
120E	1				1812-0203-01	Hylsa.....	Grommet.....		
120F	1				1812-1822-01	Hylsa-öglebult.....	Boot-eye bolt.....		
120G	2				9743-3721-32	Mutter.....	Nut.....		
120H	1				1812-1707-01	Inställningsvev.....	Chute crank.....		
120I	1				1812-2813-01	Låsnål.....	Hair pin.....		
120J	2				1812-1172-01	Adapter.....	Boot adaptor.....		
120K	1				9699-0035-02	Bricka.....	Flat washer		
530	1				1812-2381-01	Utkastskydd.....	Chute guard.....		
540	1				1812-2416-01	Fäste.....	Chute guard brkt.....		
550	2				1812-2426-01	Hylsa.....	Grommet.....		
560	2				1812-2478-01	Snabbmutter.....	Push nut.....		
570	2				1812-2473-01	Skruv.....	Screw.....		
600	4				1812-2477-01	Skruv.....	Cap screw.....		



1

A

B

E

F

G

H

I

I

D

C



Utgåva Issue 2013-11		Bildnr Picture No 2832		SNOW BLIZZARD DEKALER		SNOW BLIZZARD LABELS		Sida Page 16	
Pos. Fig.	Antal/Quantity				Art nr Part No	Benämning	Description	Sats Kit	Anmärkning Notes
	2830								
1	1				1812-2701-01	Dekalsats.....	Label kit		Inkl. A-I