



www.stiga.com

Illustrated Parts List

for model:

ST 1151 P

18-2860-32

- Use GLOBAL GARDEN PRODUCT genuine spare parts specified in the parts list for repair and/or replacement.
- Then contents described in the parts list may change due to improvement.
- The drawings of the spare part are only indicative and might not represent the part in question exactly.
- The indications "right" - "left" - "front" - "rear" refer to the position of the operator when using the machine.
- When placing orders of parts for repair and/or replacement, make sure that the illustrated parts list is the one applying to the machine's year of manufacture, as shown on the identification plate attached to the machine.

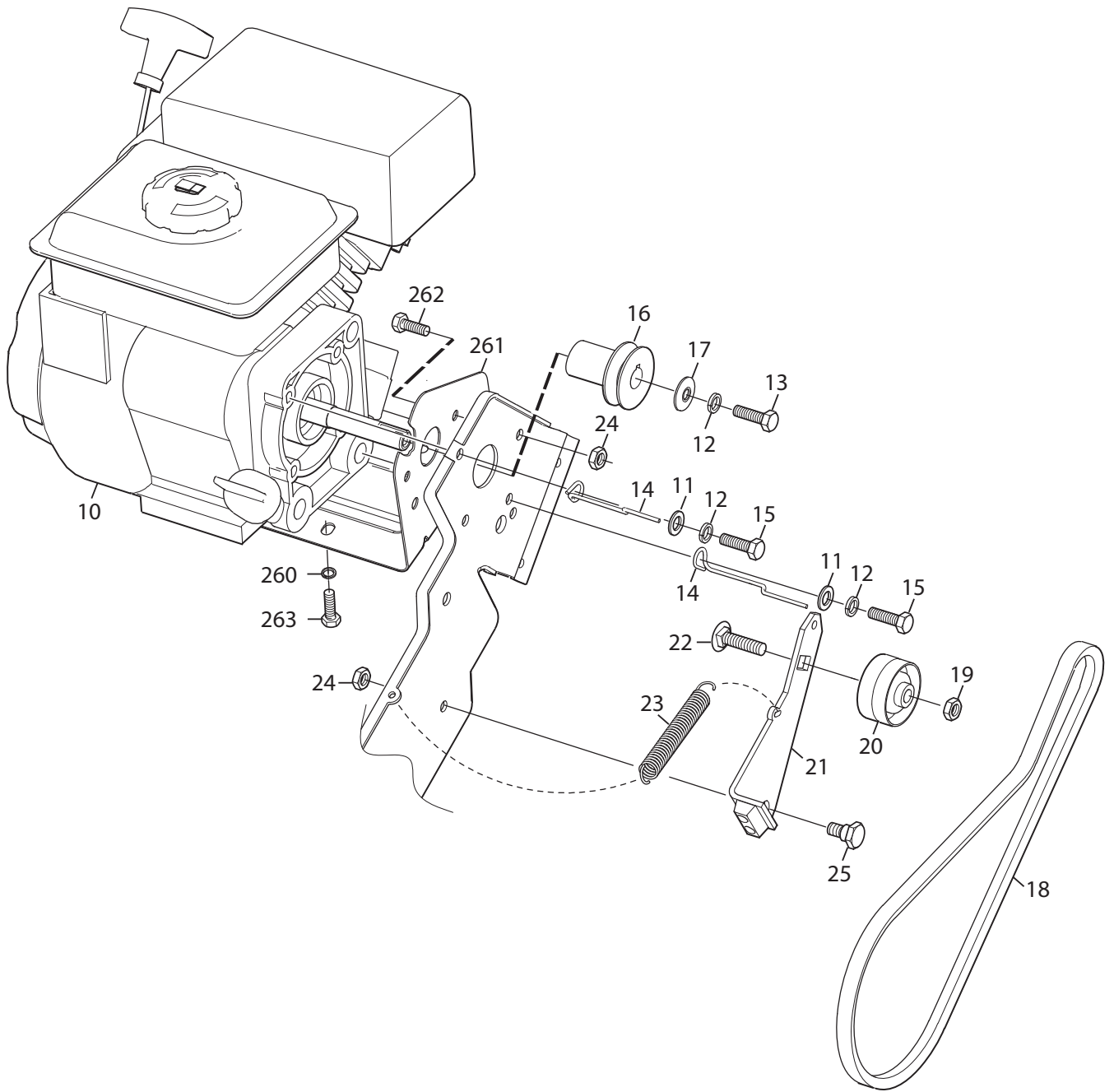
© Copyright 2014 Global Garden Products

All content is subject to copyright by Global Garden Products and may not be reproduced in whole or in part by any means, electronic or otherwise, without prior written approval.

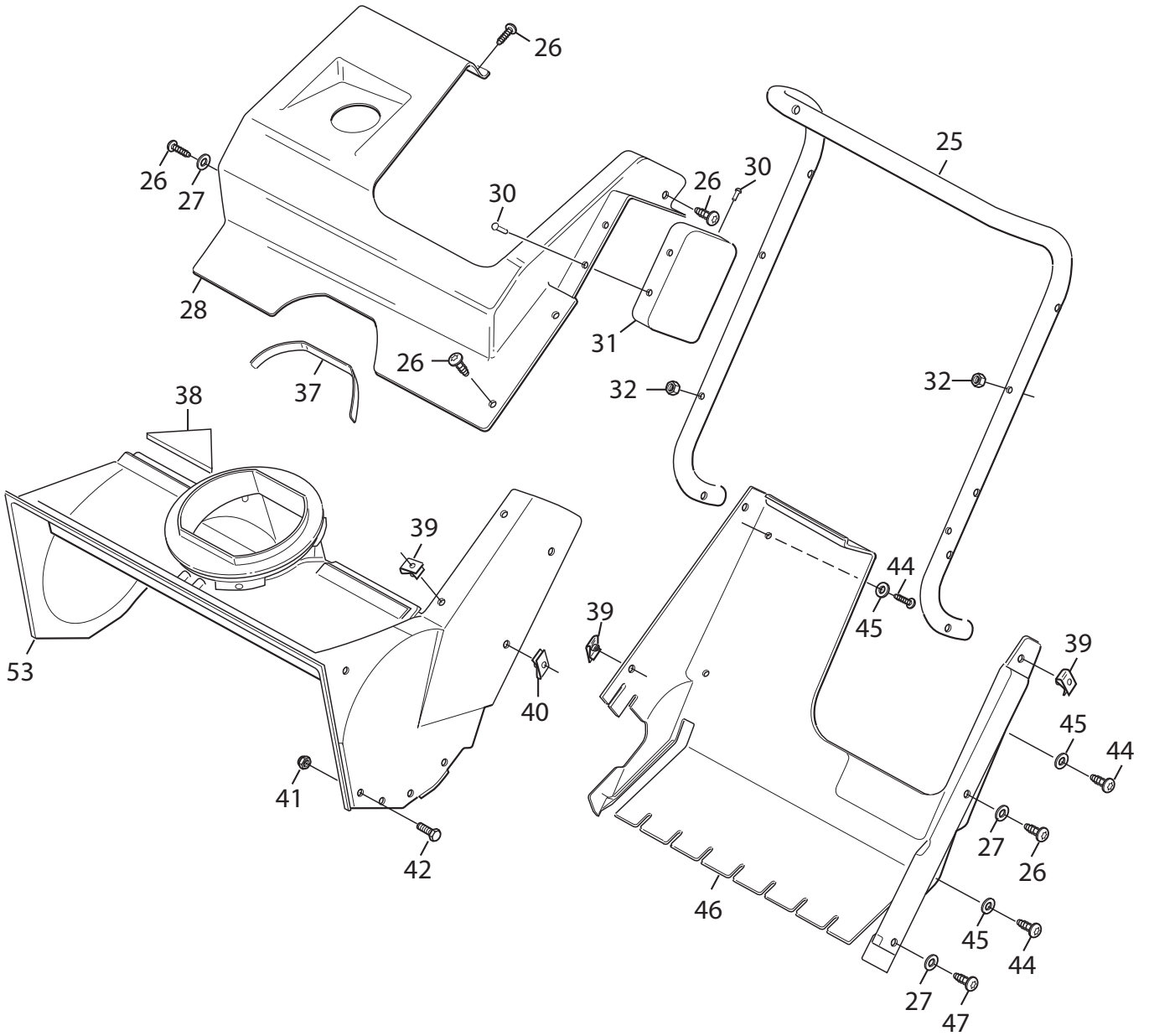
THIS INFORMATION IS NOT INTENDED FOR SALE OR RESALE, AND THIS NOTICE MUST REMAIN ON ALL COPIES.

www.ggp-group.com

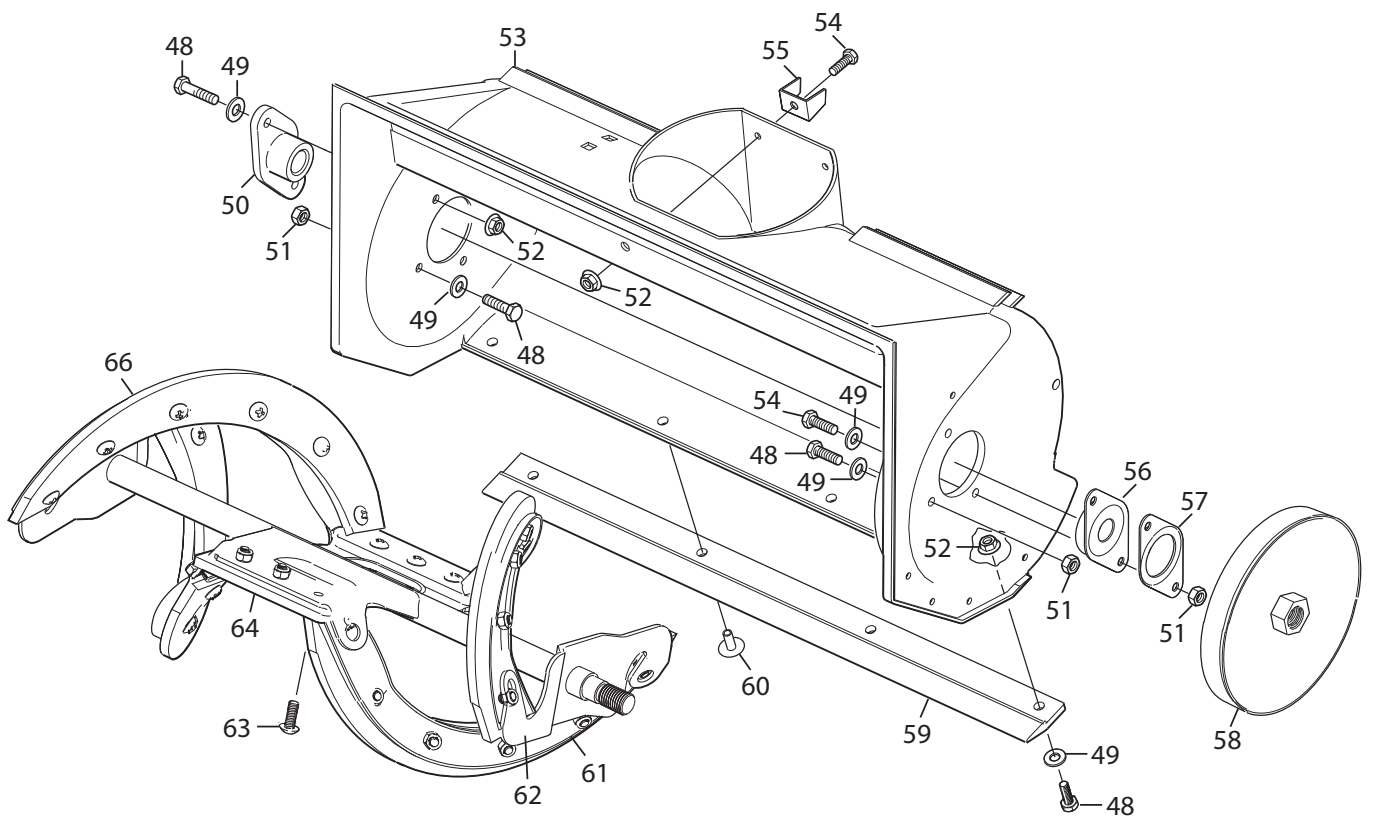




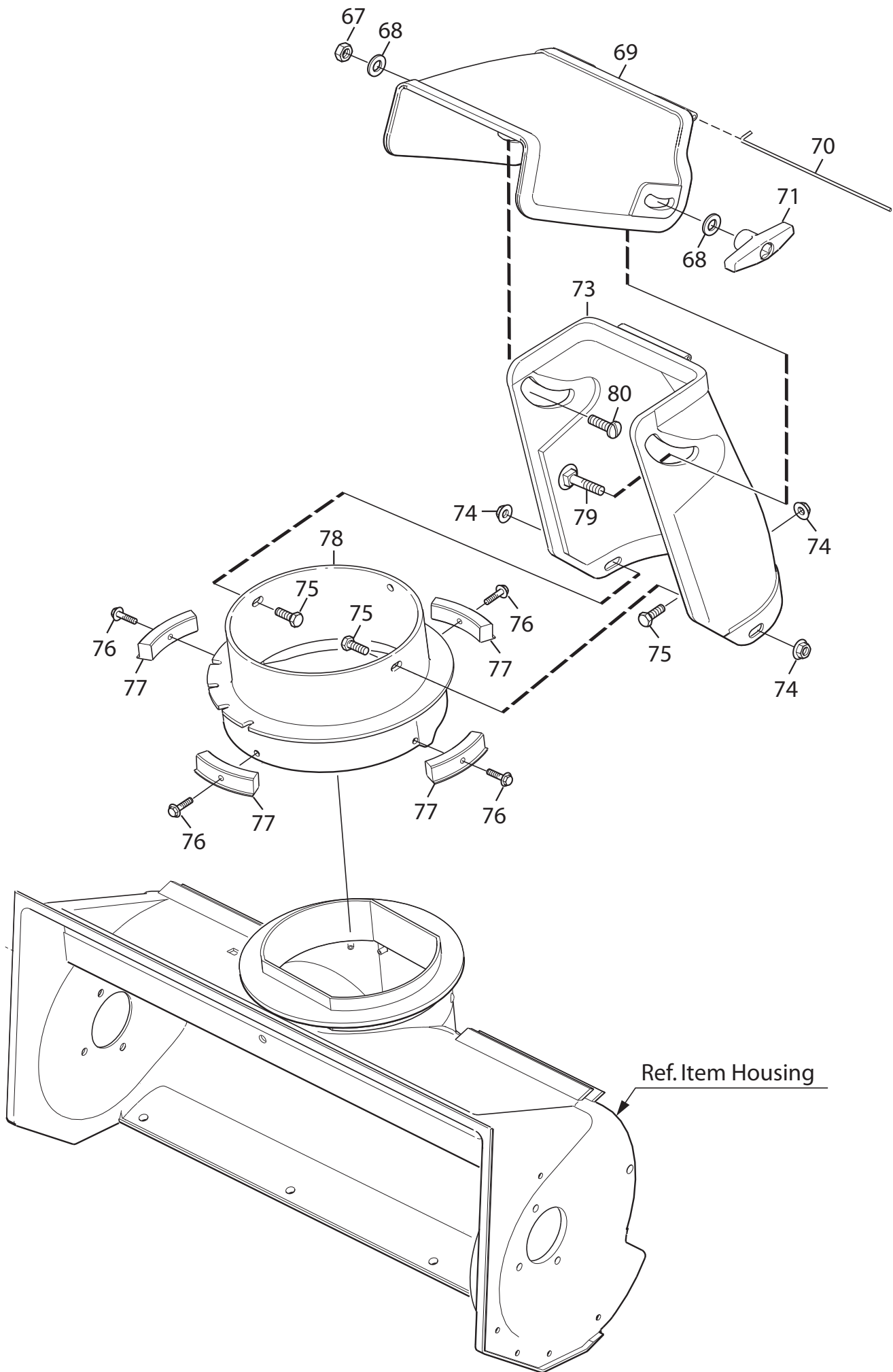
Utgåva Issue 2014-11		Bildnr Picture No 2889		ST 1151 P MOTOR		ST 1151 P ENGINE		Sida Page 2	
Pos. Fig.	Antal/Quantity				Art nr Part No	Benämning	Description	Sats Kit	Anmärkning Notes
	2860								
10	1				1811-2887-01	Motor	Engine		
11	2				1811-2888-01	Bricka	Washer		
12	3				1811-2889-01	Bricka	Washer		
13	1				1811-2890-01	Skruv	Screw		
14	2				1811-2891-01	Remstyrning	Belt guide		
15	1				1811-2892-01	Bult	Bolt		
16	1				1811-2893-01	Motorremskiva	Engine pulley		
17	1				1811-2894-01	Bricka	Washer		
18	1				1811-2895-01	Rem	Belt		
19	1				1811-2896-01	Mutter	Nut		
20	1				1811-2897-01	Kullager	Ball bearing		
21	1				1811-2898-01	Spännarm	Tension arm		
22	1				1811-2899-01	Vagnsbult	Carriage bolt		
23	1				1811-2900-01	Fjäder	Spring		
24	3				1811-2901-01	Mutter	Nut		
25	1				1811-2902-01	Ansatsbult	Bolt		
260	1				1811-2903-01	Bricka	Washer		
261	1				1811-2904-01	Motorfäste	Engine bracket		
262	2				9959-0816-16	Skruv	Screw		
263	2				9959-0820-16	Skruv	Screw		



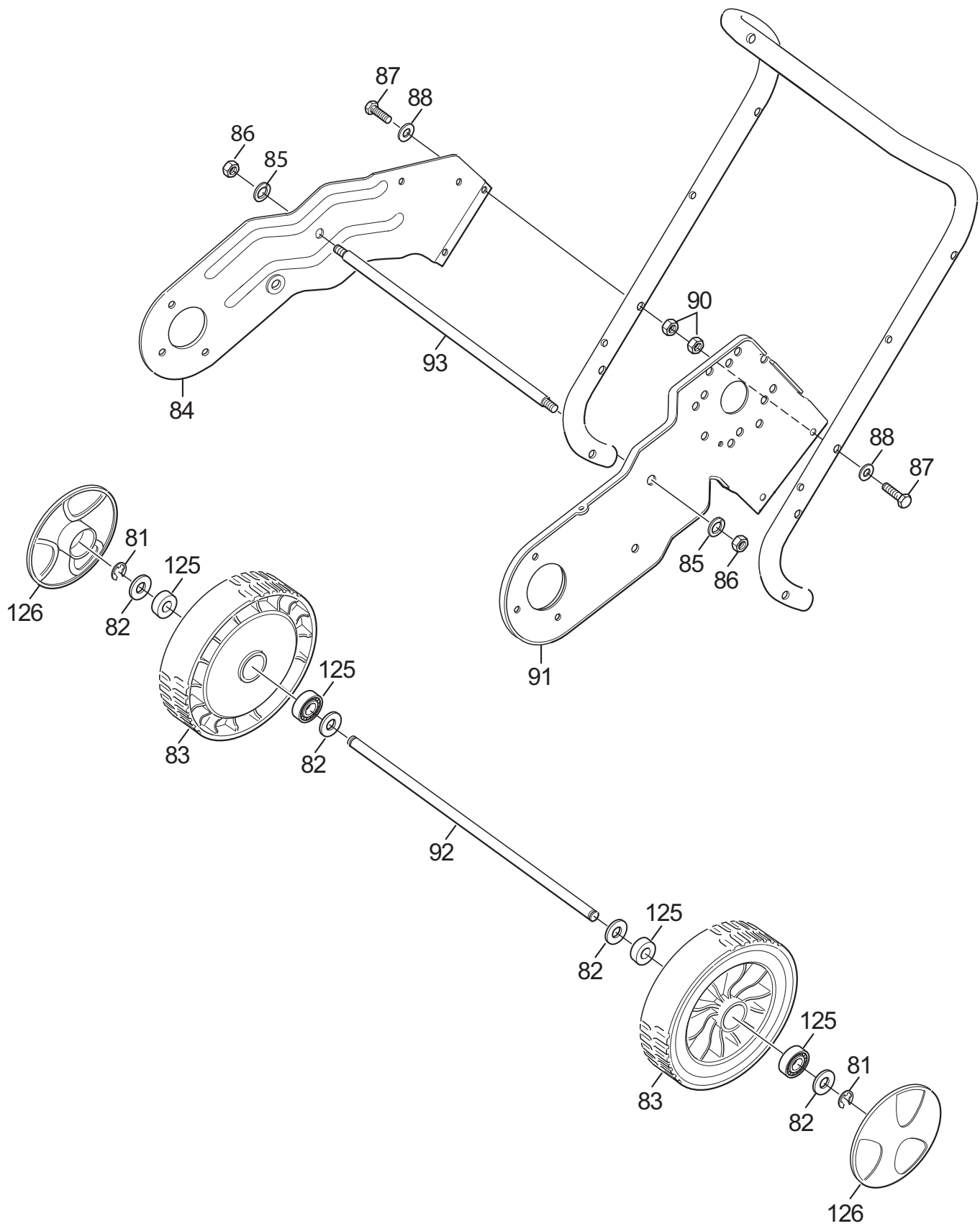
Utgåva Issue 2014-11		Bildnr Picture No 2890		ST 1151 P RAM		ST 1151 P FRAME		Sida Page 4	
Pos. Fig.	Antal/Quantity				Art nr Part No	Benämning	Description	Sats Kit	Anmärkning Notes
	2860								
25	1				1811-2905-02	Styre-nedre	Handle-lower.....		
26	9				1811-2906-01	Skruv.....	Screw.....		
27	9				1811-2907-01	Bricka	Bricka.....		
28	1				1811-2908-02	Kåpa.....	Cover.....		
30	3				1811-2909-01	Popnit.....	Rivet.....		
31	1				1811-2910-01	Sidokåpa	Cover-side		
32	4				1811-2911-01	Mutter	Nut.....		
37	1				1811-2912-01	Tätninglist	Seal strip.....		
38	2				1811-2913-01	Tätning	Seal		
39	5				1811-2914-11	Clips.....	Clips		
40	1				1811-2915-11	Clips.....	Clips		
41	6				9747-0631-02	Mutter	Nut.....		
42	6				9997-0512-16	Skruv.....	Screw.....		
44	4				1811-2916-01	Skruv.....	Screw.....		
45	4				1811-2917-01	Bricka	Washer.....		
46	1				1811-2918-02	Båttenkåpa	Cover.....		
47	1				1811-2919-01	Skruv.....	Screw.....		



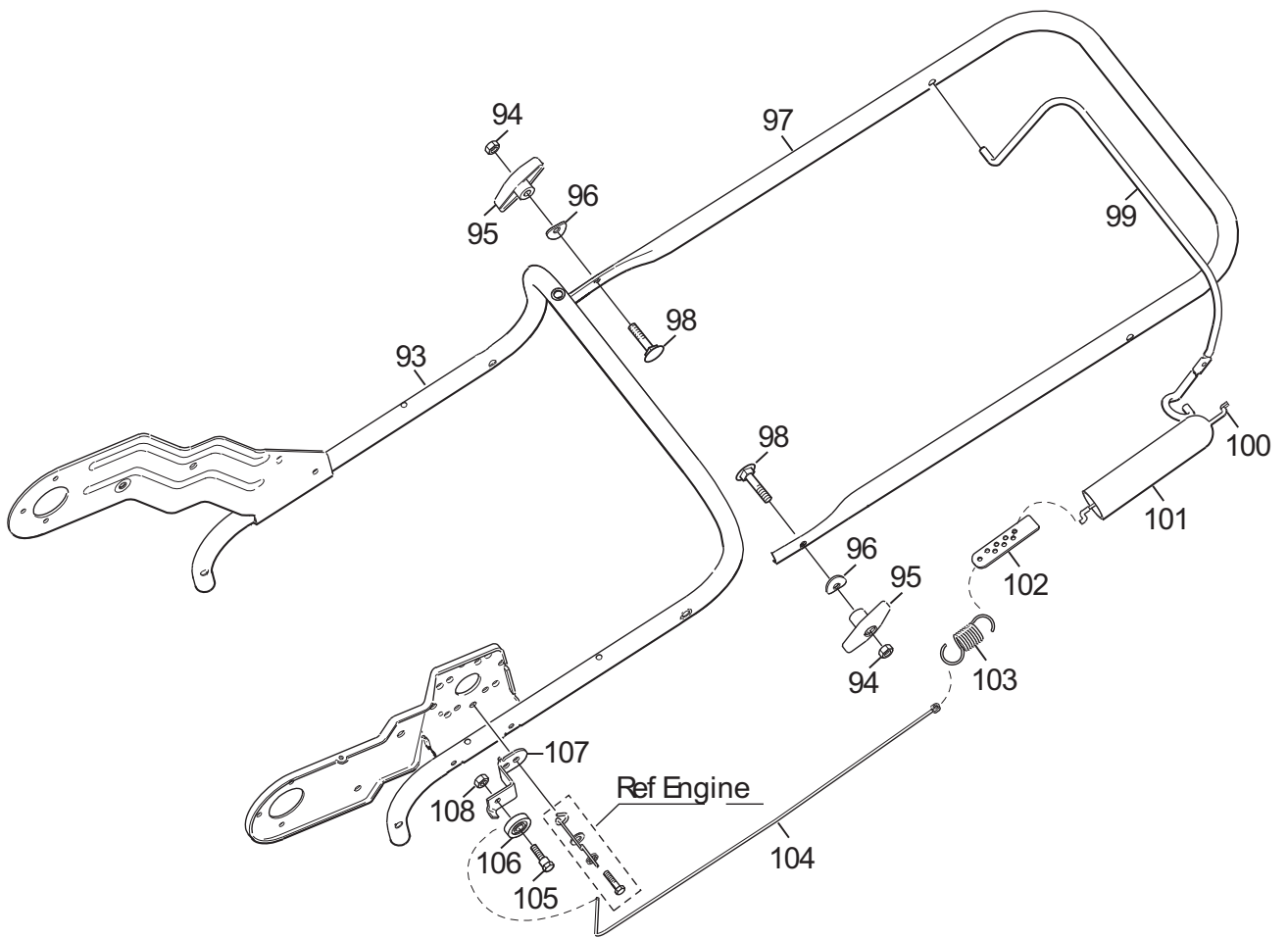
Utgåva Issue 2014-11		Bildnr Picture No 2891		ST 1151 P SNÖSKRUV		ST 1151 P AUGER HOUSING		Sida Page 6	
Pos. Fig.	Antal/Quantity				Art nr Part No	Benämning	Description	Sats Kit	Anmärkning Notes
	2860								
48	6				1811-2920-01	Skruv.....	Screw.....		
49	8				1811-2907-01	Bricka.....	Washer.....		
50	1				1811-2921-01	Lagerhållare.....	Bearing flange.....		
51	6				1811-2911-01	Mutter.....	Nut.....		
52	4				1811-2922-01	Mutter.....	Nut.....		
53	2				1811-2923-02	Inmatningshus.....	Auger housing.....		
54	3				1811-2924-01	Skruv.....	Screw.....		
55	1				1811-2925-01	Fäste.....	Bracket.....		
56	1				1811-2926-01	Lager.....	Bearing.....		
57	1				1811-2927-01	Lagerhållare.....	Bearing flange.....		
58	1				1811-2928-01	Remskiva.....	Pulley.....		
59	1				1811-2928-01	Skrapskär.....	Scraper blade.....		
60	3				1811-2930-01	Nit.....	Rivet.....		
61	2				1811-2931-01	Stöd.....	Support.....		
62	1				1811-2932-01	Snöskruv.....	Auger.....		
63	6				1811-2933-01	Nit.....	Rivet.....		
64	1				1811-2934-01	Fäste.....	Bracket.....		
66	1				1811-2935-01	Skär-snöskruv.....	Blade-Auger.....		



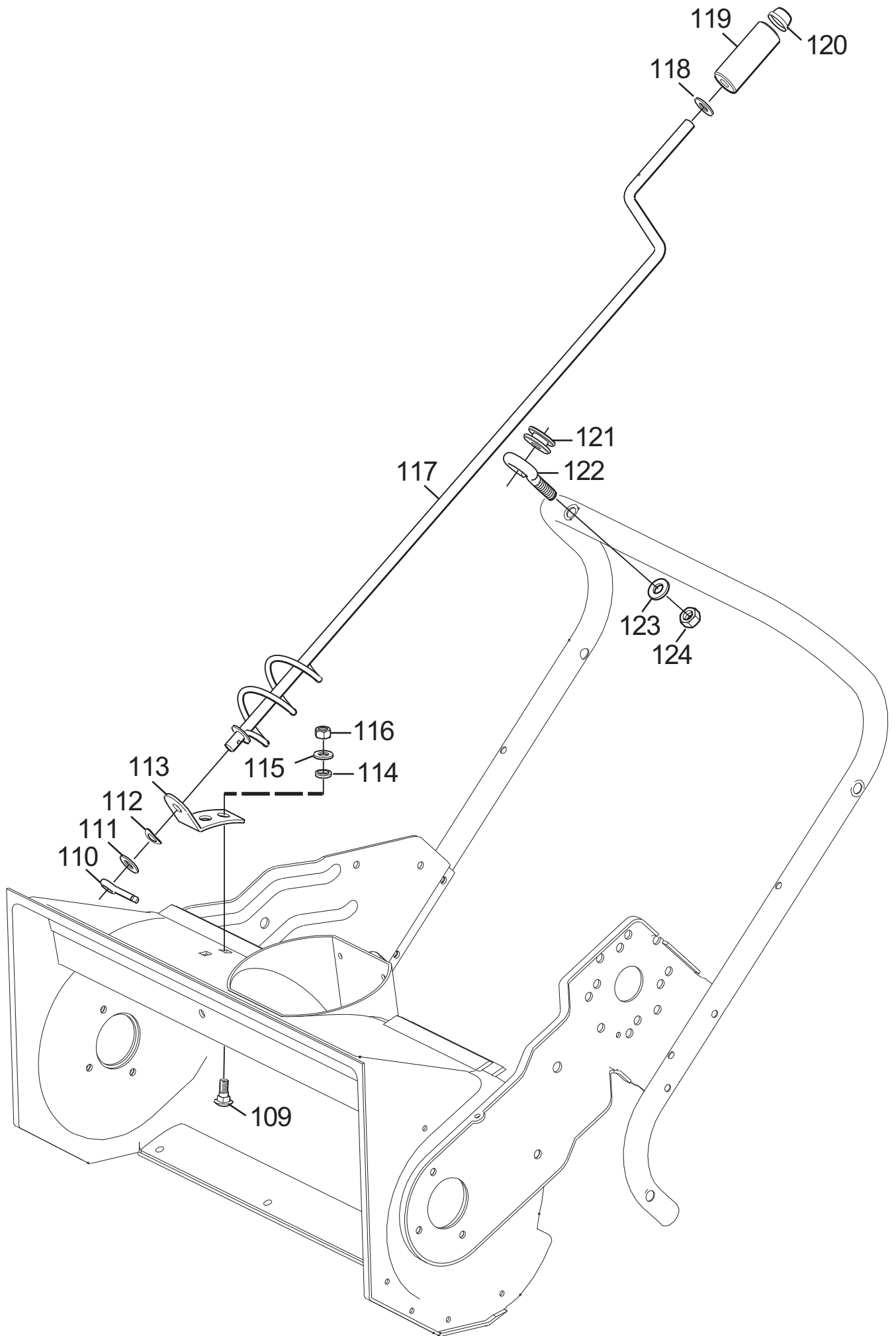
Utgåva Issue 2014-11		Bildnr Picture No 2892		ST 1151 P UTKAST		ST 1151 P DISCHARGE CHUTE		Sida Page 8	
Pos. Fig.	Antal/Quantity				Art nr Part No	Benämning	Description	Sats Kit	Anmärkning Notes
	2860								
67	1				1811-2936-01	Mutter	Nut.....		
68	2				1811-2888-01	Bricka	Washer.....		
69	1				1811-2937-02	Utkast-övre	Chute-upper.....		
70	1				1811-2938-01	Stag	Stay.....		
71	1				1811-2939-01	Knopp	Knob.....		
73	1				1811-2940-02	Utkast-lägre	Chute-lower.....		
74	3				1811-2922-01	Mutter	Nut.....		
75	3				1811-2919-01	Skruv.....	Screw.....		
76	4				1811-2940-01	Skruv.....	Screw.....		
77	4				1811-2941-01	Guide	Guide.....		
78	1				1811-2942-01	Utkastring	Ring, chute		
79	1				1811-2943-01	Vagnsbult	Carriage bolt.....		
80	1				1811-2944-01	Skruv.....	Screw.....		



Utgåva Issue 2014-11		Bildnr Picture No 2893		ST 1151 P HJUL		ST 1151 P WHEELS		Sida Page 10	
Pos. Fig.	Antal/Quantity				Art nr Part No	Benämning	Description	Sats Kit	Anmärkning Notes
	2860								
81	2				1811-2945-01	Spårring	Circlip		
82	4				1811-2946-01	Bricka	Washer		
83	2				1811-2947-01	Hjul kpl.....	Wheel assy		
84	1				1811-2948-01	Ramsida-hö.....	Frame-RH		
85	2				1811-2949-01	Bricka	Washer		
86	2				1811-2950-01	Mutter	Nut.....		
87	4				1811-2916-01	Skruv.....	Screw.....		
88	4				1811-2907-01	Bricka	Bricka		
90	4				1811-2911-01	Mutter	Nut.....		
91	1				1811-2951-01	Ramsida-vä.....	Frame-LH.....		
92	1				1811-2952-01	Hjulaxel	Wheel shaft		
93	1				1811-2953-01	Stödstag	Support rod.....		
125	2				1811-2954-01	Lager.....	Bearing		
126	2				1811-2955-01	Navkapsel	Hub cap		



Utgåva Issue 2014-11		Bildnr Picture No 2894		ST 1151 P STYRE		ST 1151 P HANDLE		Sida Page 12	
Pos. Fig.	Antal/Quantity				Art nr Part No	Benämning	Description	Sats Kit	Anmärkning Notes
	2860								
93	1				1811-2905-02	Styre	Handle		
94	2				1811-2956-01	Mutter	Nut		
95	2				1811-2939-01	Knopp	Knob		
96	2				1811-2957-01	Bricka	Washer		
97	1				1811-2958-02	Styre	Handle		
98	2				1811-2959-01	Bult	Bolt		
99	1				1811-2960-01	Kontroll, reglage	Control handle		
100	1				1811-2961-01	Reglagewire, övre	Control cable. Upper		
101	1				1811-2962-01	Plastskydd	Cover		
102	1				1811-2963-01	Fäste	Bracket		
103	1				1811-2964-01	Fjäder	Spring		
104	1				1811-2965-01	Reglagewire, undre	Control cable, lower		
105	1				1811-2966-01	Bult	Bolt		
106	1				1811-2967-01	Linhjul	Pulley		
107	1				1811-2968-01	Linhjulsfäste	Halterung		
108	1				1811-2911-01	Mutter	Nut		



Utgåva Issue 2014-11		Bildnr Picture No 2895		ST 1151 P UTKASTKONTROLL		ST 1151 P CHUTE CONTROL		Sida Page 14	
Pos. Fig.	Antal/Quantity				Art nr Part No	Benämning	Description	Sats Kit	Anmärkning Notes
	2860								
109	2				1811-2969-01	Vagnsbult	Carriage bolt.....		
110	1				1811-2970-01	Hårnålsspring.....	Cotter pin		
111	1				1811-2971-01	Bricka	Washer.....		
112	1				1811-2972-01	Bricka	Washer.....		
113	1				1811-2973-01	Fäste.....	Bracket		
114	2				1811-2888-01	Bricka	Washer.....		
115	2				1811-2889-01	Bricka	Washer.....		
116	2				1811-2956-01	Mutter	Nut.....		
117	1				1811-2974-01	Utkastkontrollstag.....	Rod, chute control.....		
118	1				1811-2971-01	Bricka	Washer.....		
119	1				1811-2975-01	Knopp	Knob.....		
120	1				1811-2976-01	Mutter	Nut.....		
121	1				1811-2977-01	Bussning	Grommet		
122	1				1811-2978-01	Öglebult	Eye bolt		
123	1				1811-2979-01	Bricka	Washer.....		
124	1				1811-2980-01	Mutter	Nut.....		