



www.stiga.com

Illustrated Parts List

for model:

ST 3255 P

18-2859-32

- Use GLOBAL GARDEN PRODUCT genuine spare parts specified in the parts list for repair and/or replacement.
- Then contents described in the parts list may change due to improvement.
- The drawings of the spare part are only indicative and might not represent the part in question exactly.
- The indications "right" - "left" - "front" - "rear" refer to the position of the operator when using the machine.
- When placing orders of parts for repair and/or replacement, make sure that the illustrated parts list is the one applying to the machine's year of manufacture, as shown on the identification plate attached to the machine.

© Copyright 2014 Global Garden Products

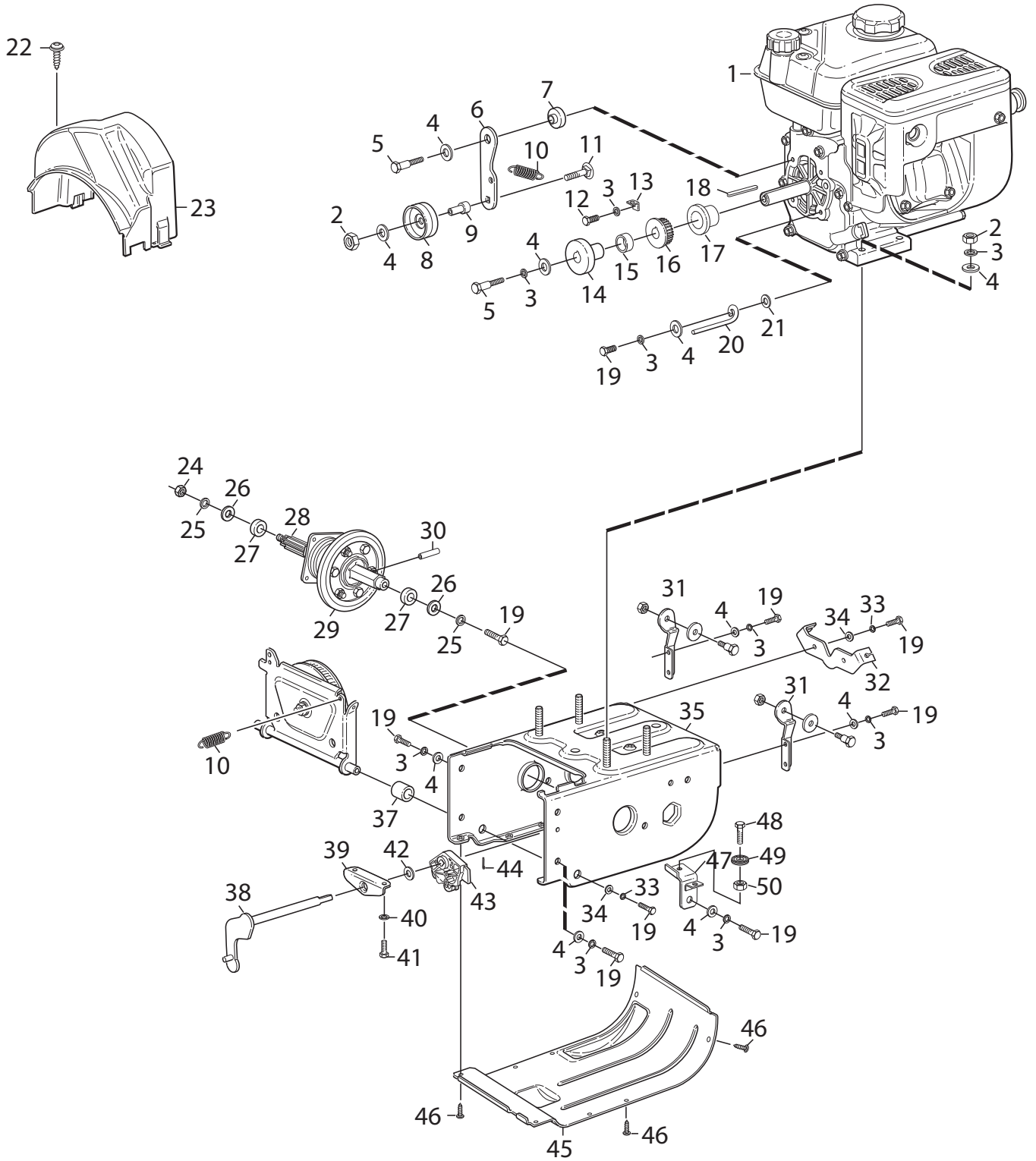
All content is subject to copyright by Global Garden Products and may not be reproduced in whole or in part by any means, electronic or otherwise, without prior written approval.

THIS INFORMATION IS NOT INTENDED FOR SALE OR RESALE, AND THIS NOTICE MUST REMAIN ON ALL COPIES.

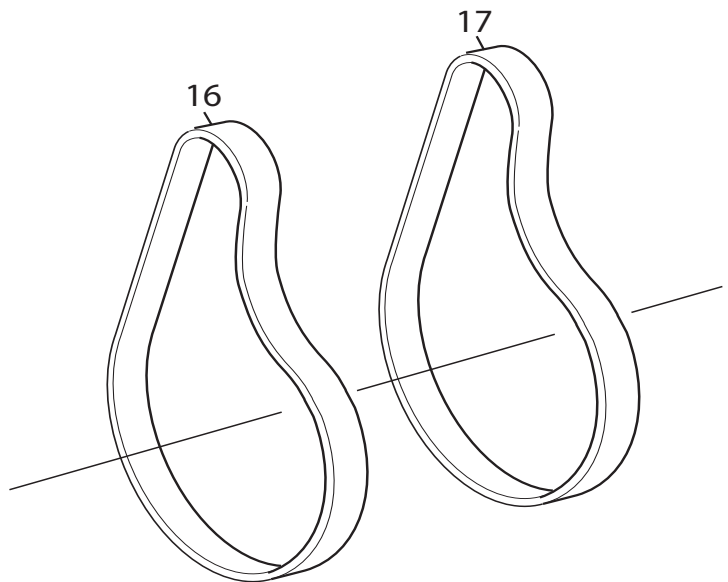
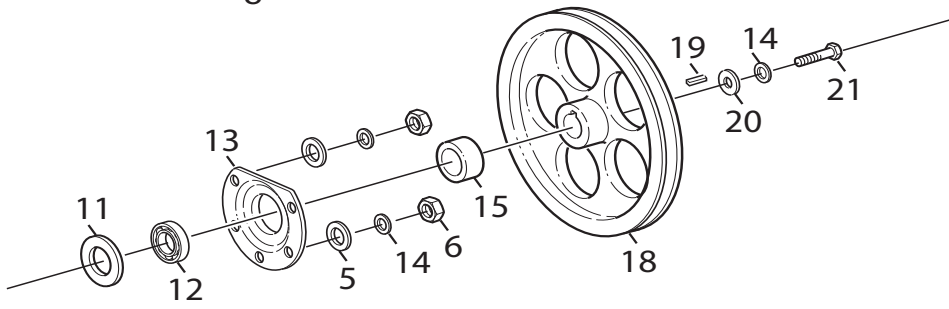
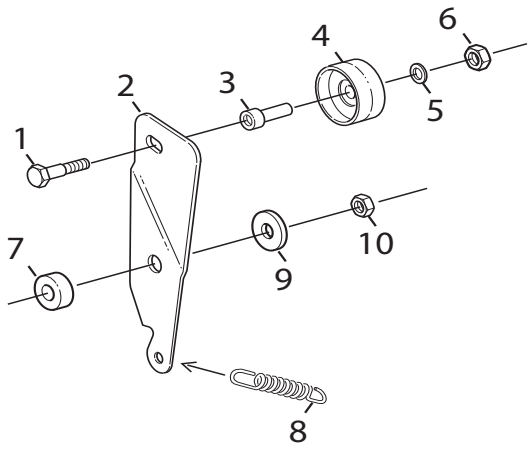
www.ggp-group.com



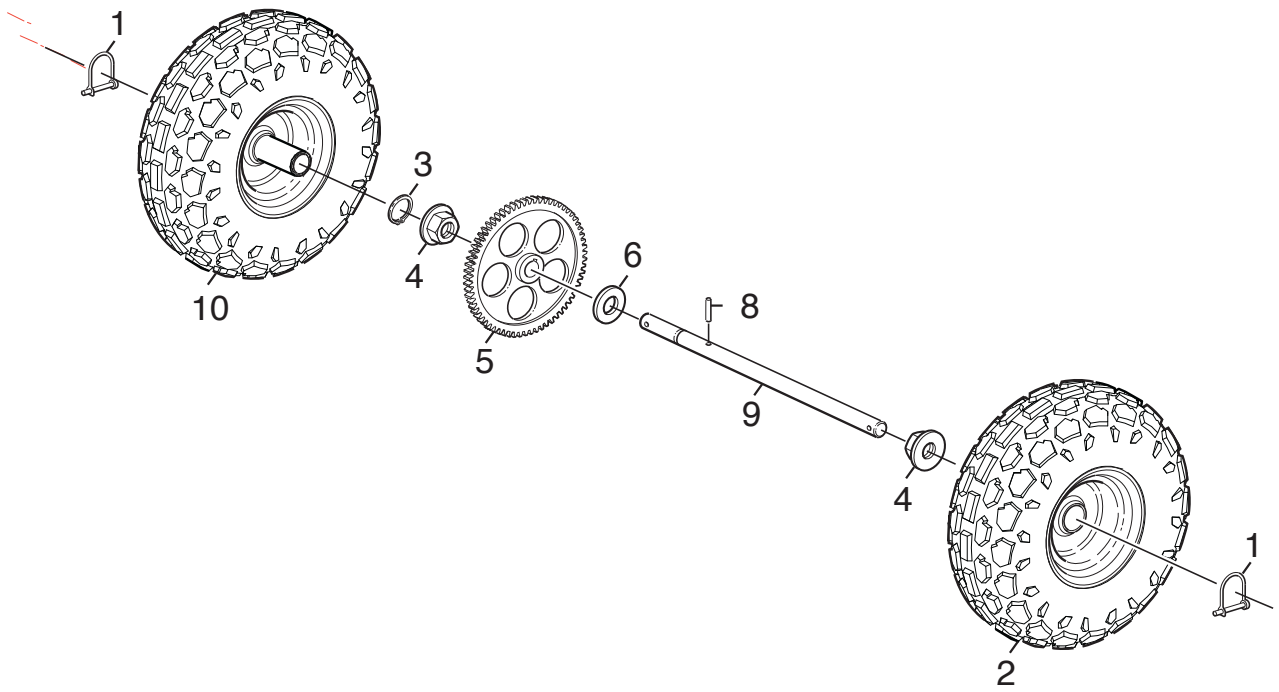
Utgåva Issue 2013-11		Bildnr Picture No 2861Z		ST 3255 P STYRE REGLAGE		ST 3255 P HANDLE CONTROLS		Sida Page 2	
Pos. Fig.	Antal/Quantity				Art nr Part No	Benämning	Description	Sats Kit	Anmärkning Notes
	2859								
1	1				1811-2855-01	Reglagebygel-snöskruv	Auger-control		
2	1				1811-2856-01	Reglagebygel-motor	Drive control		
3	1				1811-2851-01	Reglagewire-övre	Auger cable-upper		
4	2				1811-2850-01	Platta	Plate		
5	2				1811-2849-01	Reglagewire-undre	Control cable-lower		
6	2				1811-2854-01	Kabelrör	Cable pipe		
7	2				1811-2852-01	Växelwire	Gear cable		
8	1				1811-2853-01	Gaswire	Drive control cable		
9	1				1811-2857-01	Gummimuff	Rubber sleeve		
10	1				1811-2858-02	Styre-överdel	Handle-upper		
11	1				1811-2859-01	Skruv	Screw		
12	1				1811-2860-01	Handtag	Grip		
13	1				1811-2861-01	Vagnsbult	Bolt		
14	1				1811-2862-01	Vagnsbult	Bolt		
15	1				1811-2864-01	Fäste	Bracket		
16	1				1811-2865-01	Kabelfäste	Cable bracket		
17	1				1811-2866-01	Fäste	Bracket		
18	1				1811-2866-01	Fjäder	Spring		
19	5				1811-2752-01	Packning	Gasket		
20	2				1811-2760-01	Mutter	Nut		
21	1				1811-2863-01	Kabelklämma	Cable clamp		
22	1				1811-2768-01	Mutter	Nut		
23	4				1811-2868-01	Vagnsbult	Bolt		
24	4				1811-2869-01	Bricka	Washer		
25	4				1811-2781-01	Lås ratt	Handle knob		
26	1				1811-2870-02	Styre-underdel	Handle-lower		
27	5				1811-2791-01	Skruv	Screw		
28	4				1811-2751-01	Bricka	Washer		



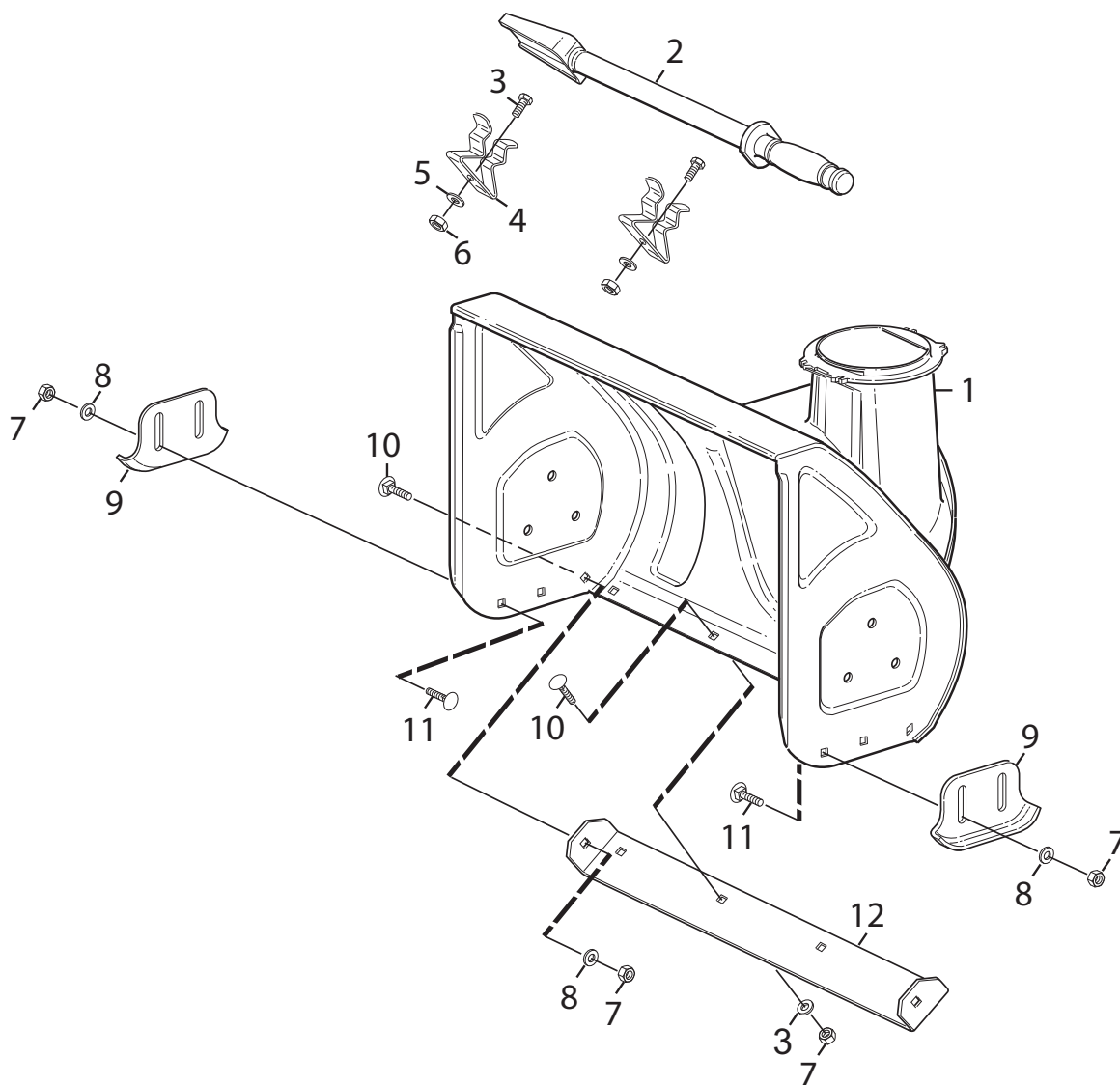
Utgåva Issue 2013-11		Bildnr Picture No 2862Z		ST 3255 P RAM MOTOR		ST 3255 P FRAME ENGINE		Sida Page 4	
Pos. Fig.	Antal/Quantity				Art nr Part No	Benämning	Description	Sats Kit	Anmärkning Notes
	2859	-32							
1	1			1811-2836-01	Motor	Engine			
2	5			1811-2760-01	Mutter	Nut			
3	10			1811-2751-01	Bricka	Washer			
4	12			1811-2752-01	Bricka	Washer			
5	2			1811-2786-01	Ansatsbult	Shoulder bolt			
6	1			1811-2834-01	Fäste	Bracket			
7	1			1811-2835-01	Distans	Spacer			
8	1			1811-2841-01	Spännrulle	Idler			
9	1			1811-2840-01	Flänslager	Flange bearing			
10	2			1811-2793-01	Fjäder	Spring			
11	1			1811-2839-01	Ansatsbult	Shoulder bolt			
12	1			1811-2838-01	Skruv	Screw			
13	1			1811-2837-01	Fjäder	Spring			
14	1			1811-2843-01	Remskiva	Pulley			
15	1			1811-2844-01	Distans	Spacer			
16	1			1811-2845-01	Remskiva	Pulley			
17	1			1811-2846-01	Lager	Bearing			
18	1			1811-2842-01	Kil	Lager			
19	6			1811-2791-01	Skruv	Screw			
20	1			1811-2848-01	Remstyrning	Belt guide			
21	1			1811-2847-01	Bricka	Washer			
22	2			1811-2814-01	Skruv	Screw			
23	1			1811-2833-01	Remskydd	Belt cover			
24	1			1811-2794-01	Mutter	Nut			
25	2			1811-2829-01	Bricka	Washer			
26	2			1811-2785-01	Packning	Gasket			
27	2			1811-2830-01	Kullager	Ball bearing			
28	1			1811-2832-01	Drivaxel	Wheel drive shaft			
29	1			1811-2831-01	Vibrationshjul kpl	Friction wheel			
30	1			1811-2867-01	Sprint	Pin			
31	2			1811-2826-01	Fäste	Bracket			
32	1			1811-2825-01	Hållare	Holder			
33	1			1811-2807-01	Bricka	Washer			
34	1			1811-2769-01	Packning	Gasket			
35	1			1811-2872-01	Ram-svart	Frame-black			
36	1			1811-2790-01	Friction	Friction			
37	1			1811-2792-01	Distans	Spacer			
38	1			1811-2806-01	Stag	Rod			
39	1			1811-2808-01	Ramfäste	Frame bracket			
40	2			1811-2807-01	Bricka	Washer			
41	2			1811-2771-01	Skruv	Screw			
42	1			1811-2809-01	Lagerdistans	Spacer bush			
43	1			1811-2810-01	Drev	Gear			
44	1			1811-2811-01	Saxpinne	Cotter pin			
45	1			1811-2813-01	Ramkåpa	Frame cover			
46	8			1811-2814-01	Skruv	Screw			
47	1			1811-2812-01	Fäste	Bracket			
48	1			1811-2824-01	Skruv	Screw			
49	1			1811-2823-01	Hållare	Holder			
50	1			1811-2768-01	Mutter	Nut			



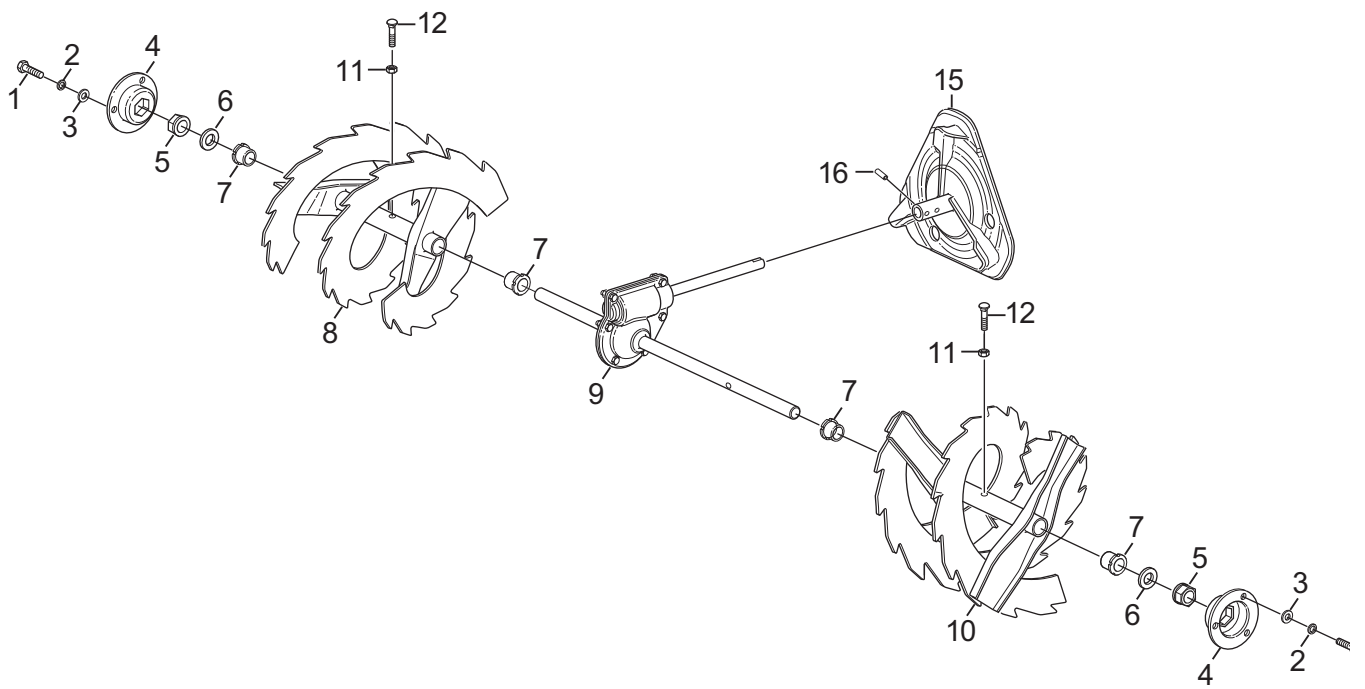
Utgåva Issue 2013-11		Bildnr Picture No 2865Z		ST 3255 P DRIVNING		ST 3255 P TRACTION DRIVE		Sida Page 6	
Pos. Fig.	Antal/Quantity				Art nr Part No	Benämning	Description	Sats Kit	Anmärkning Notes
	2859								
1	1				1811-2786-01	Ansatsbult	Shoulder bolt		
2	1				1811-2787-01	Stag	Strut		
3	1				1811-2788-01	Distans	Spacer		
4	1				1811-2789-01	Spännrulle	Idler		
5	2				1811-2752-01	Bricka	Washer		
6	2				1811-2760-01	Bricka	Mutter		
7	1				1811-2785-01	Distans	Spacer		
8	1				1811-2796-01	Fjäder	Spring		
9	1				1811-2795-01	Bricka	Washer		
10	1				1811-2794-01	Mutter	Nut		
11	1				1811-2755-01	Bricka	Washer		
12	1				1811-2798-01	Lager	Bearing		
13	1				1811-2799-01	Lagerplatta	Bearing plate		
14	2				1811-2751-01	Bricka	Washer		
15	1				1811-2800-01	Distans	Spacer		
16	1				1811-2801-01	Rem	Belt		
17	1				1811-2802-01	Rem	Belt		
18	1				1811-2803-01	Remskiva	Pulley		
19	1				1811-2804-01	Kil	Key		
20	1				1811-2805-01	Bricka	Washer		
21	1				1811-2791-01	Skruv	Screw		



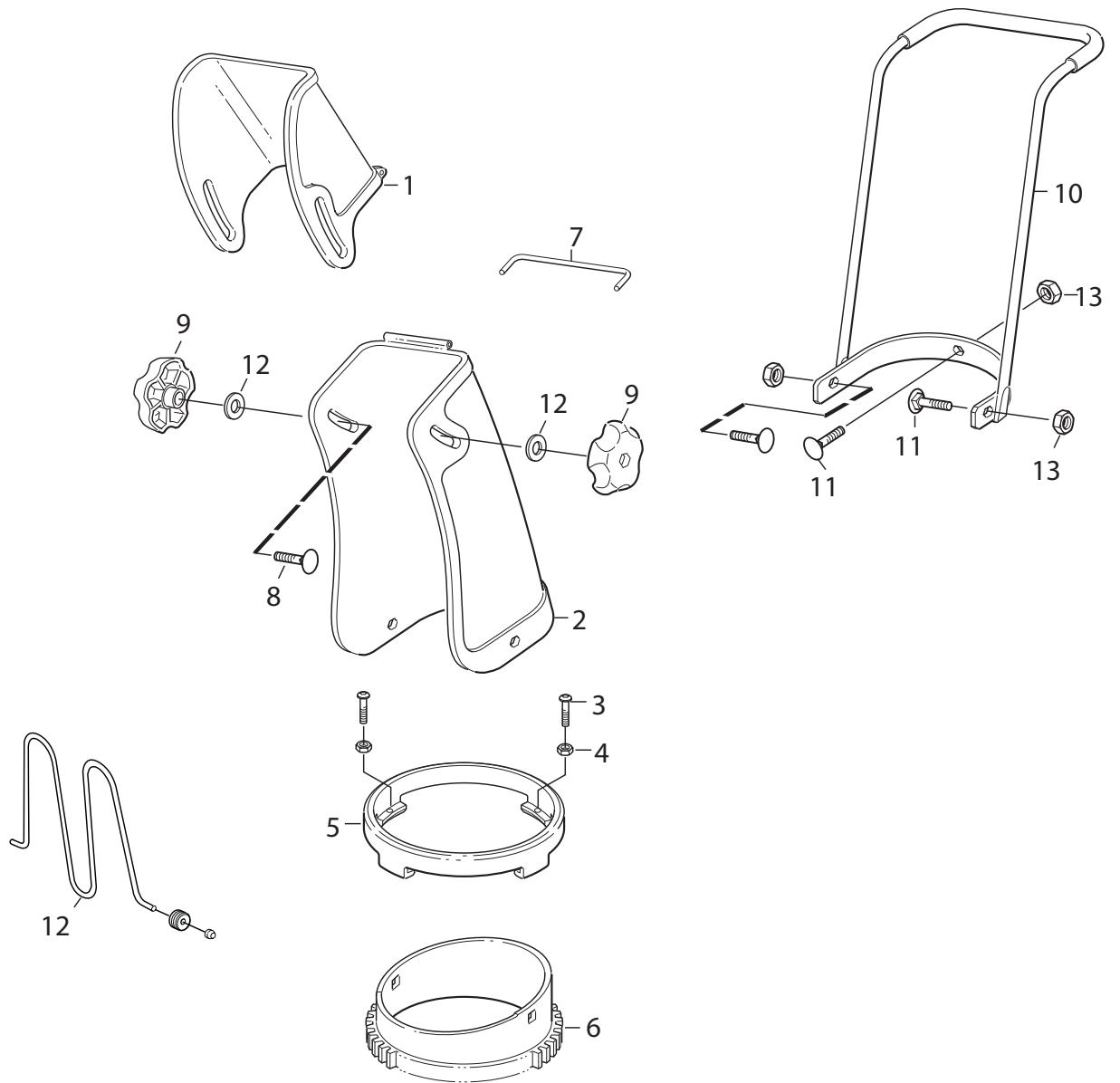
Utgåva Issue 2013-11		Bildnr Picture No 2863		ST 3255 P HJUL		ST 3255 P WHEELS		Sida Page 8	
Pos. Fig.	Antal/Quantity				Art nr Part No	Benämning	Description	Sats Kit	Anmärkning Notes
	2859								
1	2				1811-2822-01	Låsnål	Dowel pin.....		
2	1				1811-2885-01	Hjul - V ä	Wheel , Left.....		
3	1				1811-2820-01	Segersäkring	Lock ring.....		
4	2				1811-2819-01	Flänslager	Flange bearing.....		
5	1				1811-2818-01	Drev	Gear.....		
6	1				1811-2755-01	Bricka	Washer.....		
7	1				1811-2817-01	Kil	Key.....		
8	1				1811-2816-01	Spännstift.....	Locating pin		
9	1				1811-2815-01	Hjulaxel	Wheel shaft		
10	1				1811-2886-01	Hjul - Hö	Wheel , Right.....		



Utgåva Issue 2013-11		Bildnr Picture No 2864Z		ST 3255 P INMATNINGSHUS		ST 3255 P AUGER HOUSING		Sida Page 10	
Pos. Fig.	Antal/Quantity				Art nr Part No	Benämning	Description	Sats Kit	Anmärkning Notes
	2859								
1	1				1811-2873-03	Inmatningshus-yellow	Auger housing assy-yellow		
2	1				1811-2772-01	Rengörningsverktyg	Clear -out tool		
3	2				1811-2771-01	Skruv.....	Screw.....		
4	2				1811-2770-01	Fäste.....	Bracket		
5	2				1811-2769-01	Bricka	Packning.....		
6	2				1811-2768-01	Mutter	Nut.....		
7	4				1811-2760-01	Mutter	Nut.....		
8	4				1811-2752-01	Bricka	Washer		
9	2				1811-2767-02	Släpsko	Skid shoe		
10	4				1811-2762-01	Ansatsbult	Shoulder bolt		
11	4				1811-2766-01	Ansatsbult	Shoulder bolt		
12	1				1811-2763-01	Fäste.....	Bracket		



Utgåva Issue 2013-11		Bildnr Picture No 2866		ST 3255 P SNÖSKRUV		ST 3255 P AUGER DRIVE		Sida Page 12	
Pos. Fig.	Antal/Quantity				Art nr Part No	Benämning	Description	Sats Kit	Anmärkning Notes
	2859								
1	6				1811-2750-01	Skruv.....	Screw.....		
2	6				1811-2751-01	Bricka	Wascher		
3	2				1811-2752-01	Bricka	Wascher		
4	2				1811-2753-01	Lagerhus	Bearing housing		
5	2				1811-2754-01	Lager.....	Bearing		
6	2				1811-2755-01	Bricka	Wascher		
7	4				1811-2756-01	Lager.....	Bearing		
8	1				1811-2757-01	Snöskruv-hö.....	Auger-RH.....		
9	1				1811-2758-01	Snäckväxel.....	Gear case assy		
10	1				1811-2759-01	Snöskruv-vä.....	Auger-LH.....		
11	2				1811-2760-01	Mutter	Nut.....		
12	2				1811-2761-01	Brytbult.....	Shear bolt		
15	1				1811-2764-01	Fläkt.....	Impeller		
16	1				1811-2765-01	Spännstift.....	Locating pin		



Utgåva Issue 2013-11		Bildnr Picture No 2867Z		ST 3255 P UTKAST		ST 3255 P DISCHARGE CHUTE		Sida Page 14	
Pos. Fig.	Antal/Quantity				Art nr Part No	Benämning	Description	Sats Kit	Anmärkning Notes
	2859								
1	1				1811-2778-02	Utkast-övre	Discharge chute-upper		
2	1				1811-2777-02	Utkast	Discharge chute		
3	2				1811-2776-01	Skruv	Screw		
4	2				1811-2775-01	Mutter	Nut		
5	1				1811-2774-01	Hållare	Holder		
6	1				1811-2779-01	Stag	Strut		
8	2				1811-2780-01	Ansatsbult	Shoulder bolt		
9	2				1811-2781-01	Lås ratt	Handle knob		
10	1				1811-2782-01	Utkastkontroll	Chute directinal chute		
11	2				1811-2783-01	Skruv	Screw		
12	1				1811-2784-01	Stag	Strut		
12	2				1811-2752-01	Bricka	Washer		
13	3				1811-2768-01	Mutter	Nut		