

# Genuine Spare Parts

www.stiga.com

## SNOW PATROL

includes:

18-2859-31 Snow Patrol

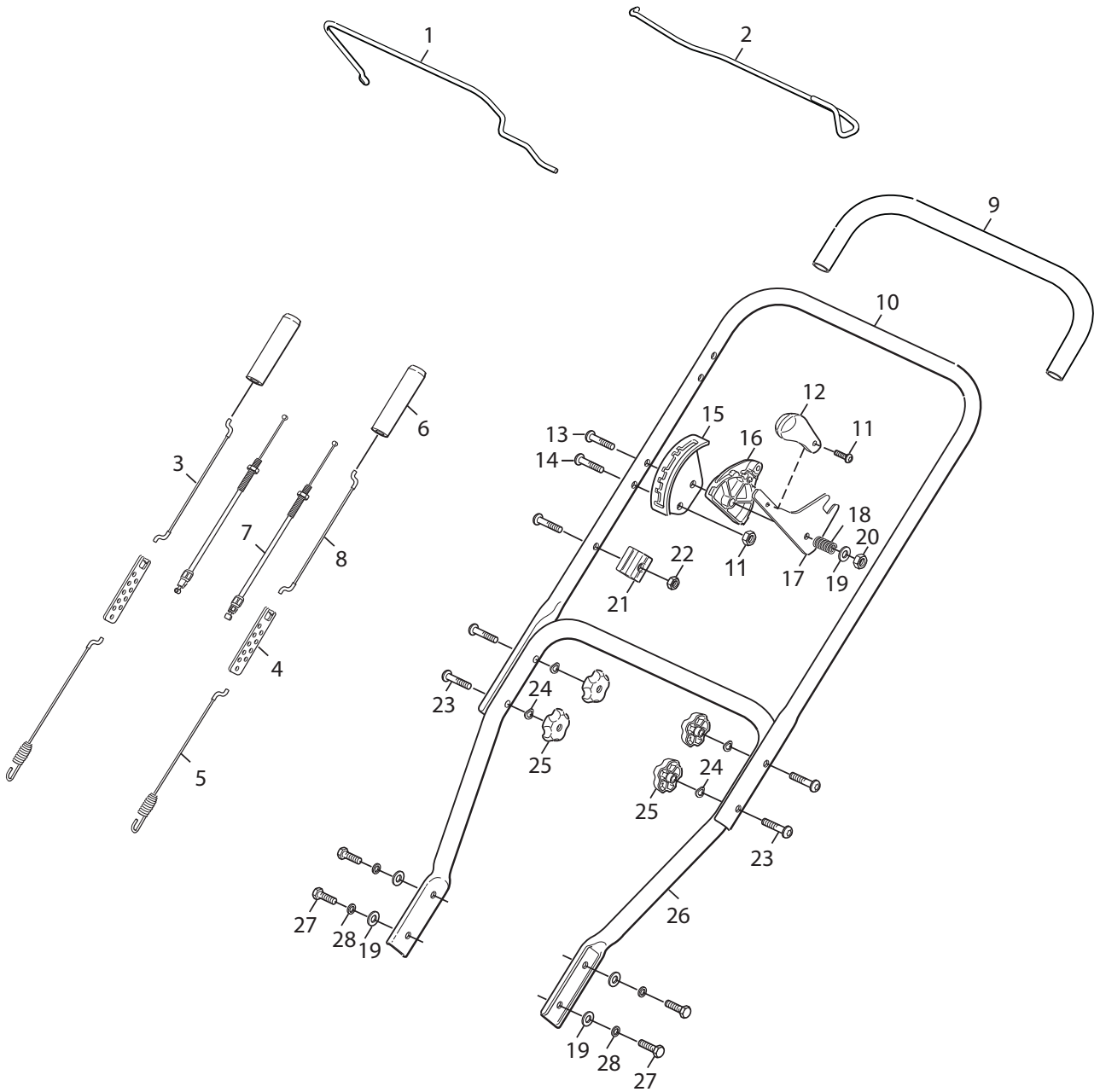
18-2859-91 Snow Patrol (black line)

- Use GLOBAL GARDEN PRODUCT Genuine Spare Parts specified in the parts list for repair and/or replacement.
- The contents described in the parts list may change due to improvement.
- The drawings of the spare parts are only indicative and might not represent the part in question exactly.
- The indications "right" - "left" - "front" - "rear" refer to the position of the operator when using the machine.
- When placing orders of parts for repair and/or replacement, make sure that the illustrated parts list is the one applying to the machine's year of manufacture, as shown on the identification plate attached to the machine.

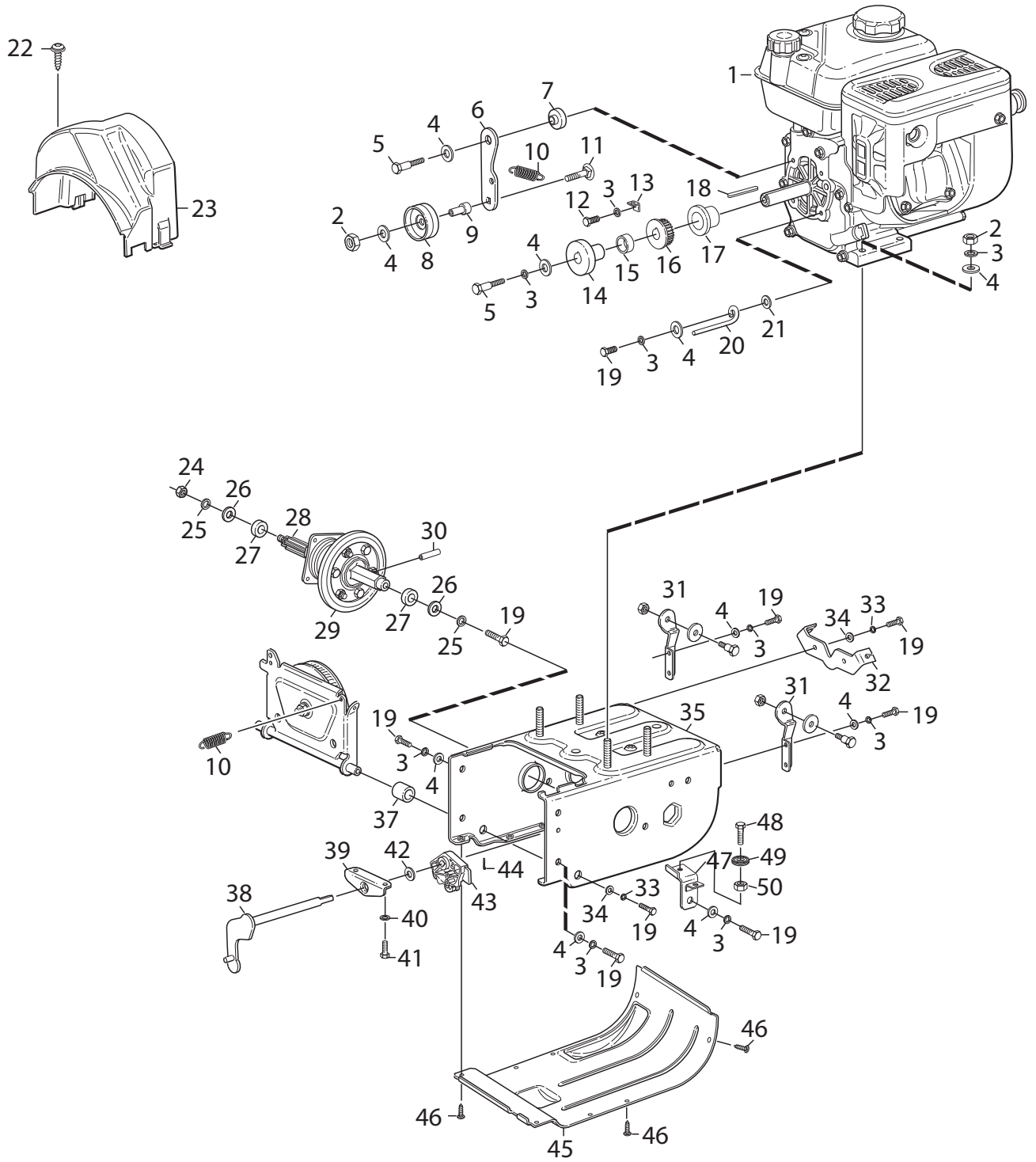
COPYRIGHT by GLOBAL GARDEN PRODUCTS

All rights reserved. No part of this material may be reproduced or transmitted, in any form or by any means, electronic or mechanical, including photocopying, recording or by any information storage and retrieval system, without permission in writing from GLOBAL GARDEN PRODUCTS.

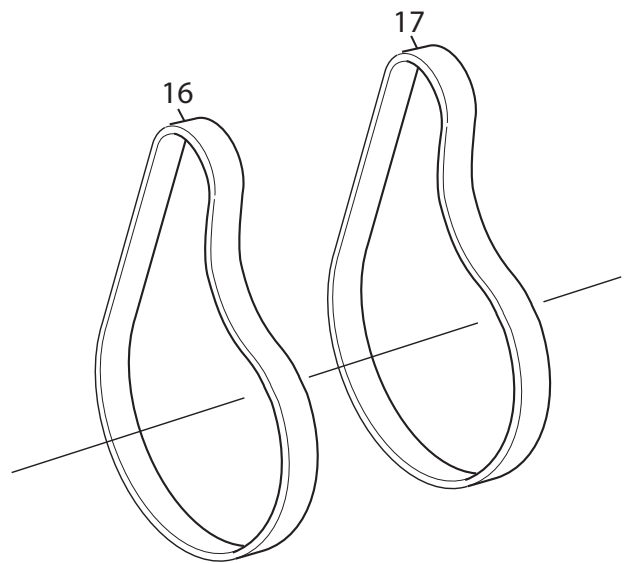
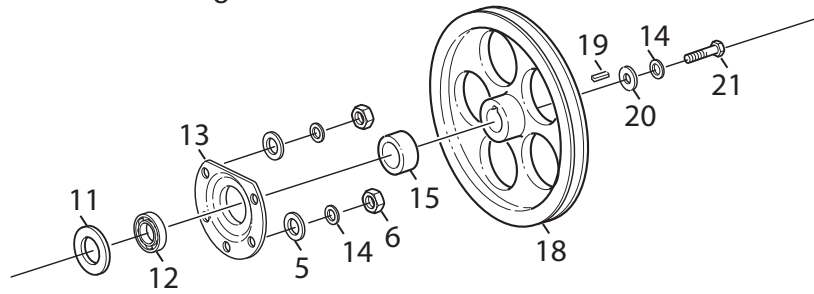
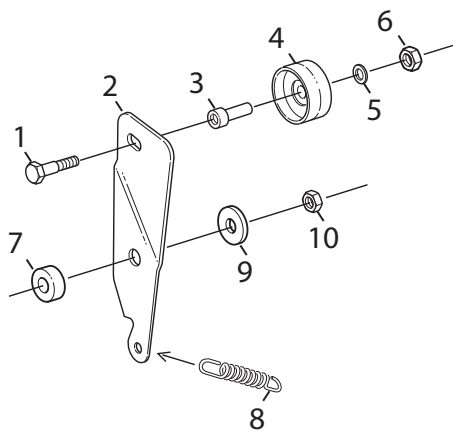




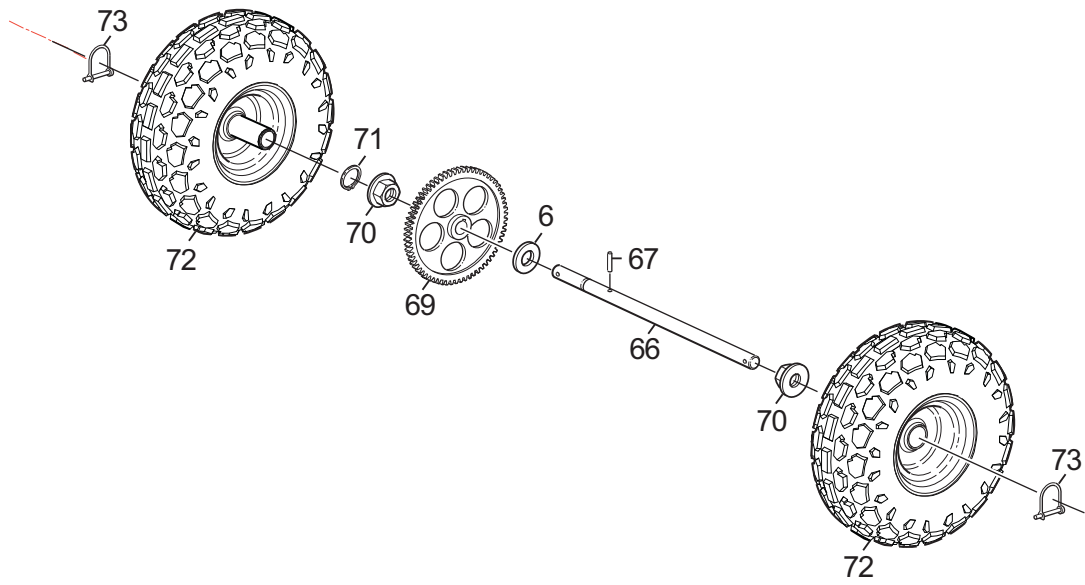
Utgåva Issue 2013-11		Bildnr Picture No 2861		SNOW PATROL STYRE REGLAGE		SNOW PATROL HANDLE CONTROLS		Sida Page 2	
Pos. Fig.	Antal/Quantity			Art nr Part No	Benämning	Description	Sats Kit	Anmärkning Notes	
	2859 -31	2859 -91							
1	1	1		1811-2855-01	Reglagebygel-snöskruv .....	Auger-control .....			
2	1	1		1811-2856-01	Reglagebygel-motor .....	Drive control .....			
3	1	1		1811-2851-01	Reglagewire-övre .....	Auger cable-upper .....			
4	2	2		1811-2850-01	Platta .....	Plate .....			
5	2	2		1811-2849-01	Reglagewire-undre .....	Control cable-lower .....			
6	2	2		1811-2854-01	Kabelrör .....	Cable pipe .....			
7	2	2		1811-2852-01	Växelwire .....	Gear cable .....			
8	1	1		1811-2853-01	Gaswire .....	Drive control cable .....			
9	1	1		1811-2857-01	Gummimuff .....	Rubber sleeve .....			
10	1	1		1811-2858-01	Styre-överdel .....	Handle-upper .....			
11	1	1		1811-2859-01	Skruv .....	Screw .....			
12	1	1		1811-2860-01	Handtag .....	Grip .....			
13	1	1		1811-2861-01	Vagnsbult .....	Bolt .....			
14	1	1		1811-2862-01	Vagnsbult .....	Bolt .....			
15	1	1		1811-2864-01	Fäste .....	Bracket .....			
16	1	1		1811-2865-01	Kabelfäste .....	Cable bracket .....			
17	1	1		1811-2866-01	Fäste .....	Bracket .....			
18	1	1		1811-2866-01	Fjäder .....	Spring .....			
19	5	5		1811-2752-01	Packning .....	Gasket .....			
20	2	2		1811-2760-01	Mutter .....	Nut .....			
21	1	1		1811-2863-01	Kabelklämma .....	Cable clamp .....			
22	1	1		1811-2768-01	Mutter .....	Nut .....			
23	4	4		1811-2868-01	Vagnsbult .....	Bolt .....			
24	4	4		1811-2869-01	Bricka .....	Washer .....			
25	4	4		1811-2781-01	Lås ratt .....	Handle knob .....			
26	1	1		1811-2870-01	Styre-underdel .....	Handle-lower .....			
27	5	5		1811-2791-01	Skruv .....	Screw .....			
28	4	4		1811-2751-01	Bricka .....	Washer .....			



Utgåva Issue 2013-11		Bildnr Picture No 2862		SNOW PATROL RAM MOTOR		SNOW PATROL FRAME ENGINE		Sida Page 4	
Pos. Fig.	Antal/Quantity			Art nr Part No	Benämning	Description	Sats Kit	Anmärkning Notes	
	2859 -31	2859 -91							
1	1	1		1811-2836-01	Motor .....	Engine .....			
2	5	5		1811-2760-01	Mutter .....	Nut .....			
3	10	10		1811-2751-01	Bricka .....	Washer .....			
4	12	12		1811-2752-01	Bricka .....	Washer .....			
5	2	2		1811-2786-01	Ansatsbult .....	Shoulder bolt .....			
6	1	1		1811-2834-01	Fäste .....	Bracket .....			
7	1	1		1811-2835-01	Distans .....	Spacer .....			
8	1	1		1811-2841-01	Spännrulle .....	Idler .....			
9	1	1		1811-2840-01	Flänslager .....	Flange bearing .....			
10	2	2		1811-2793-01	Fjäder .....	Spring .....			
11	1	1		1811-2839-01	Ansatsbult .....	Shoulder bolt .....			
12	1	1		1811-2838-01	Skruv .....	Screw .....			
13	1	1		1811-2837-01	Fjäder .....	Spring .....			
14	1	1		1811-2843-01	Remskiva .....	Pulley .....			
15	1	1		1811-2844-01	Distans .....	Spacer .....			
16	1	1		1811-2845-01	Remskiva .....	Pulley .....			
17	1	1		1811-2846-01	Lager .....	Bearing .....			
18	1	1		1811-2842-01	Kil .....	Lager .....			
19	6	6		1811-2791-01	Skruv .....	Screw .....			
20	1	1		1811-2848-01	Remstyrning .....	Belt guide .....			
21	1	1		1811-2847-01	Bricka .....	Washer .....			
22	2	2		1811-2814-01	Skruv .....	Screw .....			
23	1	1		1811-2833-01	Remskydd .....	Belt cover .....			
24	1	1		1811-2794-01	Mutter .....	Nut .....			
25	2	2		1811-2829-01	Bricka .....	Washer .....			
26	2	2		1811-2785-01	Packning .....	Gasket .....			
27	2	2		1811-2830-01	Kullager .....	Ball bearing .....			
28	1	1		1811-2832-01	Drivaxel .....	Wheel drive shaft .....			
29	1	1		1811-2831-01	Vibrationsplatta kpl .....	Friction plate .....			
30	1	1		1811-2867-01	Sprint .....	Pin .....			
31	2	2		1811-2826-01	Fäste .....	Bracket .....			
32	1	1		1811-2825-01	Hållare .....	Holder .....			
33	1	1		1811-2807-01	Bricka .....	Washer .....			
34	1	1		1811-2769-01	Packning .....	Gasket .....			
35	1			1811-2874-01	Ram-gul .....	Frame-yellow .....			
35		1		1811-2872-01	Ram-svart .....	Frame-black .....			
36	1	1		1811-2790-01	Friction .....	Friction .....			
37	1	1		1811-2792-01	Distans .....	Spacer .....			
38	1	1		1811-2806-01	Stag .....	Rod .....			
39	1	1		1811-2808-01	Ramfäste .....	Frame bracket .....			
40	2	2		1811-2807-01	Bricka .....	Washer .....			
41	2	2		1811-2771-01	Skruv .....	Screw .....			
42	1	1		1811-2809-01	Lagerdistans .....	Spacer bush .....			
43	1	1		1811-2810-01	Drev .....	Gear .....			
44	1	1		1811-2811-01	Saxpinne .....	Cotter pin .....			
45	1	1		1811-2813-01	Ramkåpa .....	Frame cover .....			
46	8	8		1811-2814-01	Skruv .....	Screw .....			
47	1	1		1811-2812-01	Fäste .....	Bracket .....			
48	1	1		1811-2824-01	Skruv .....	Screw .....			
49	1	1		1811-2823-01	Hållare .....	Holder .....			
50	1	1		1811-2768-01	Mutter .....	Nut .....			

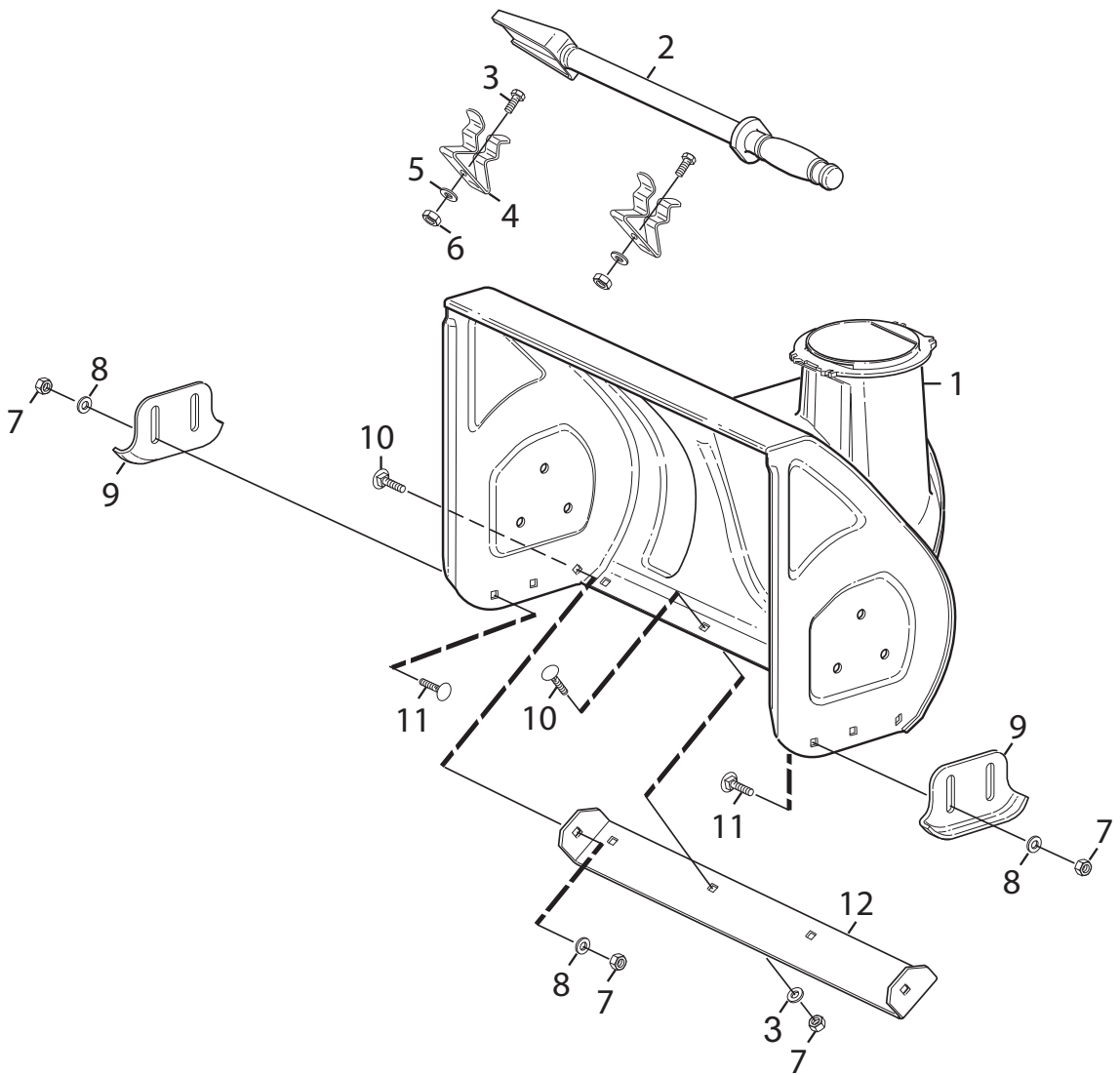


Utgåva Issue 2013-11		Bildnr Picture No 2865		SNOW PATROL DRIVNING		SNOW PATROL TRACTION DRIVE		Sida Page 6	
Pos. Fig.	Antal/Quantity			Art nr Part No	Benämning	Description	Sats Kit	Anmärkning Notes	
	2859 -31	2859 -91							
1	1	1		1811-2786-01	Ansatsbult .....	Shoulder bolt .....			
2	1	1		1811-2787-01	Stag .....	Strut .....			
3	1	1		1811-2788-01	Distans .....	Spacer .....			
4	1	1		1811-2789-01	Spännrulle .....	Idler .....			
5	2	2		1811-2752-01	Bricka .....	Washer .....			
6	2	2		1811-2760-01	Bricka .....	Mutter .....			
7	1	1		1811-2785-01	Distans .....	Spacer .....			
8	1	1		1811-2796-01	Fjäder .....	Spring .....			
9	1	1		1811-2795-01	Bricka .....	Washer .....			
10	1	1		1811-2794-01	Mutter .....	Nut .....			
11	1	1		1811-2755-01	Bricka .....	Washer .....			
12	1	1		1811-2798-01	Lager .....	Bearing .....			
13	1	1		1811-2799-01	Lagerplatta .....	Bearing plate .....			
14	2	2		1811-2751-01	Bricka .....	Washer .....			
15	1	1		1811-2800-01	Distans .....	Spacer .....			
16	1	1		1811-2801-01	Rem .....	Belt .....			
17	1	1		1811-2802-01	Rem .....	Belt .....			
18	1	1		1811-2803-01	Remskiva .....	Pulley .....			
19	1	1		1811-2804-01	Kil .....	Key .....			
20	1	1		1811-2805-01	Bricka .....	Washer .....			
21	1	1		1811-2791-01	Skruv .....	Screw .....			

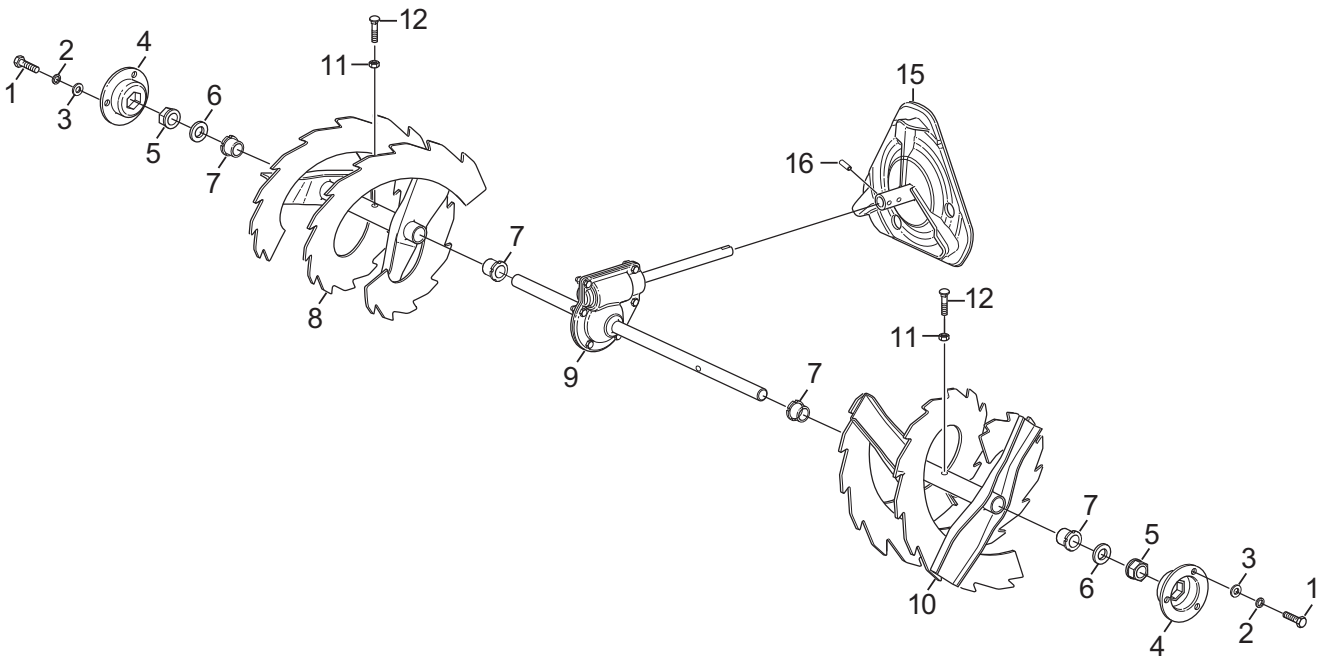




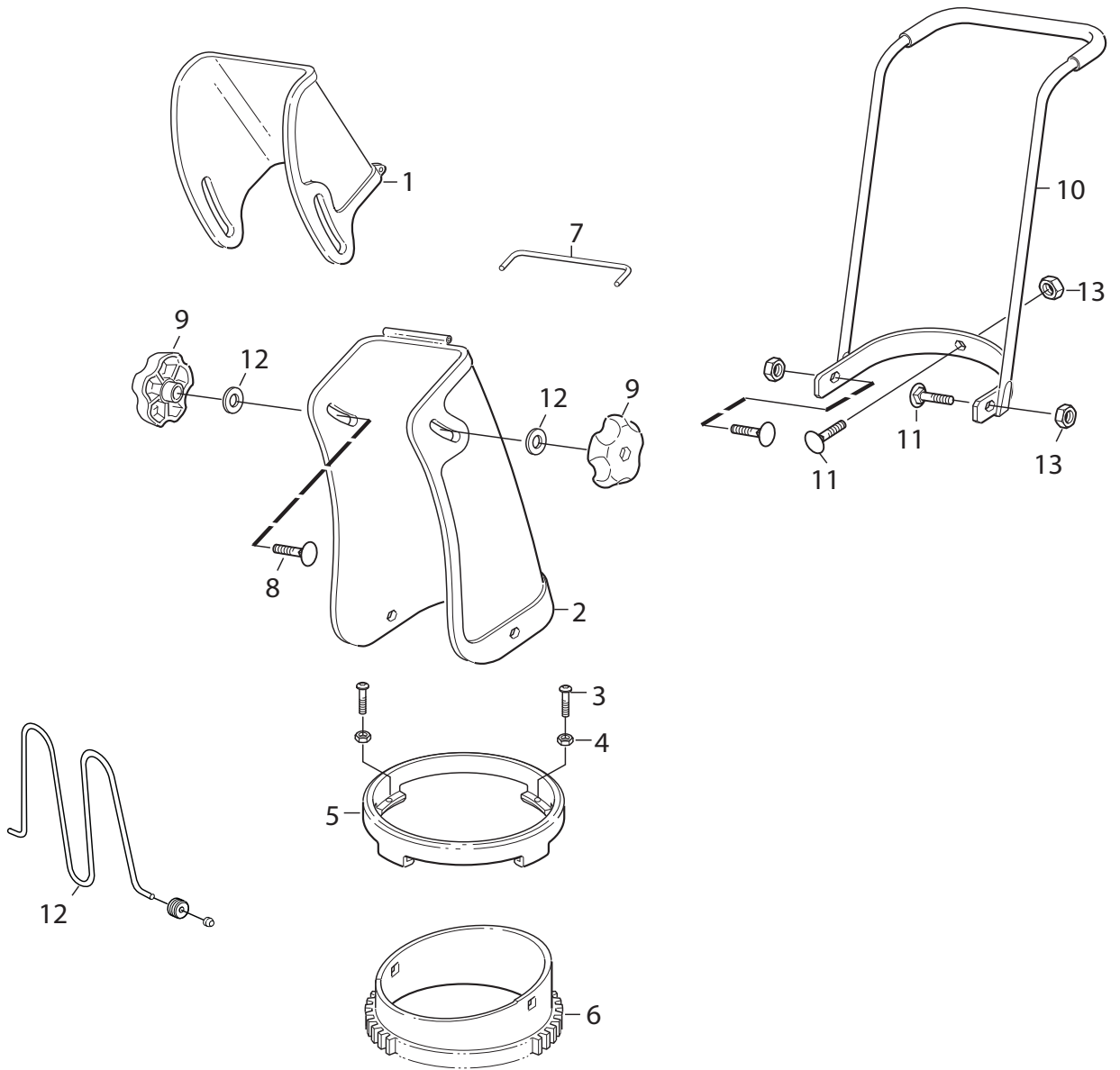
Utgåva Issue 2013-11		Bildnr Picture No 2863		SNOW PATROL HJUL		SNOW PATROL WHEELS		Sida Page 8	
Pos. Fig.	Antal/Quantity			Art nr Part No	Benämning	Description	Sats Kit	Anmärkning Notes	
	2859 -31	2859 -91							
1	2	2		1811-2822-01	Låsnål .....	Dowel pin.....			
2	2	2		1811-2821-01	Hjul .....	Wheel .....			
3	1	1		1811-2820-01	Segersäkring .....	Lock ring.....			
4	2	2		1811-2819-01	Flänslager .....	Flange bearing.....			
5	1	1		1811-2818-01	Drev .....	Gear .....			
6	1	1		1811-2755-01	Bricka .....	Washer.....			
7	1	1		1811-2817-01	Kil .....	Key .....			
8	1	1		1811-2816-01	Spännstift.....	Locating pin .....			
9	1	1		1811-2815-01	Hjulaxel .....	Wheel shaft .....			



Utgåva Issue 2013-11		Bildnr Picture No 2864		SNOW PATROL INMATNINGSHUS		SNOW PATROL AUGER HOUSING		Sida Page 10	
Pos. Fig.	Antal/Quantity			Art nr Part No	Benämning	Description	Sats Kit	Anmärkning Notes	
	2859 -31	2859 -91							
1	1			1811-2873-01	Inmatningshus-yellow .....	Auger housing assy-yellow			
1		1		1811-2870-01	Inmatningshus-svart .....	Auger housing assy-black..			
2	1	1		1811-2772-01	Rengörningsverktyg .....	Clear -out tool .....			
3	2	2		1811-2771-01	Skruv .....	Screw .....			
4	2	2		1811-2770-01	Fäste .....	Bracket .....			
5	2	2		1811-2769-01	Bricka .....	Packning .....			
6	2	2		1811-2768-01	Mutter .....	Nut .....			
7	4	4		1811-2760-01	Mutter .....	Nut .....			
8	4	4		1811-2752-01	Bricka .....	Washer .....			
9	2	2		1811-2767-01	Fäste .....	Bracket .....			
10	4	4		1811-2762-01	Ansatsbult .....	Shoulder bolt .....			
11	4	4		1811-2766-01	Ansatsbult .....	Shoulder bolt .....			
12	1	1		1811-2763-01	Fäste .....	Bracket .....			



Utgåva Issue 2013-11		Bildnr Picture No 2866		SNOW PATROL SNÖSKRUV		SNOW PATROL AUGER DRIVE		Sida Page 12	
Pos. Fig.	Antal/Quantity			Art nr Part No	Benämning	Description	Sats Kit	Anmärkning Notes	
	2859 -31	2859 -91							
1	6	6		1811-2750-01	Skruv.....	Screw.....			
2	6	6		1811-2751-01	Bricka .....	Wascher .....			
3	2	2		1811-2752-01	Bricka .....	Wascher .....			
4	2	2		1811-2753-01	Lagerhus .....	Bearing housing .....			
5	2	2		1811-2754-01	Lager.....	Bearing .....			
6	2	2		1811-2755-01	Bricka .....	Wascher .....			
7	4	4		1811-2756-01	Lager.....	Bearing .....			
8	1	1		1811-2757-01	Snöskruv-hö.....	Auger-RH.....			
9	1	1		1811-2758-01	Snäckväxel.....	Gear case assy .....			
10	1	1		1811-2759-01	Snöskruv-vä.....	Auger-LH.....			
11	2	2		1811-2760-01	Mutter .....	Nut.....			
12	2	2		1811-2761-01	Brytbult.....	Shear bolt .....			
15	1	1		1811-2764-01	Fläkt.....	Impeller .....			
16	1	1		1811-2765-01	Spännstift.....	Locating pin .....			



Utgåva Issue 2013-11		Bildnr Picture No 2867		SNOW PATROL SNÖSKRUV		SNOW PATROL AUGER DRIVE		Sida Page 14	
Pos. Fig.	Antal/Quantity			Art nr Part No	Benämning	Description	Sats Kit	Anmärkning Notes	
	2859 -31	2859 -91							
1	1	1		1811-2778-01	Utkast-övre .....	Discharge chute-upper .....			
2	1	1		1811-2777-01	Utkast .....	Discharge chute .....			
3	2	2		1811-2776-01	Skruv .....	Screw .....			
4	2	2		1811-2775-01	Mutter .....	Nut .....			
5	1	1		1811-2774-01	Hållare .....	Holder .....			
6	1	1		1811-2773-01	Ringdrev .....	Cute gear .....			
7	1	1		1811-2779-01	Stag .....	Strut .....			
8	2	2		1811-2780-01	Ansatsbult .....	Shoulder bolt .....			
9	2	2		1811-2781-01	Låsraff .....	Handle knob .....			
10	1	1		1811-2782-01	Utkastkontroll .....	Chute directinal chute .....			
11	2	2		1811-2783-01	Skruv .....	Screw .....			
12	1	1		1811-2784-01	Stag .....	Strut .....			
12	2	2		1811-2752-01	Bricka .....	Washer .....			
13	3	3		1811-2768-01	Mutter .....	Nut .....			