

Genuine Spare Parts

www.stiga.com

SNOW FOX

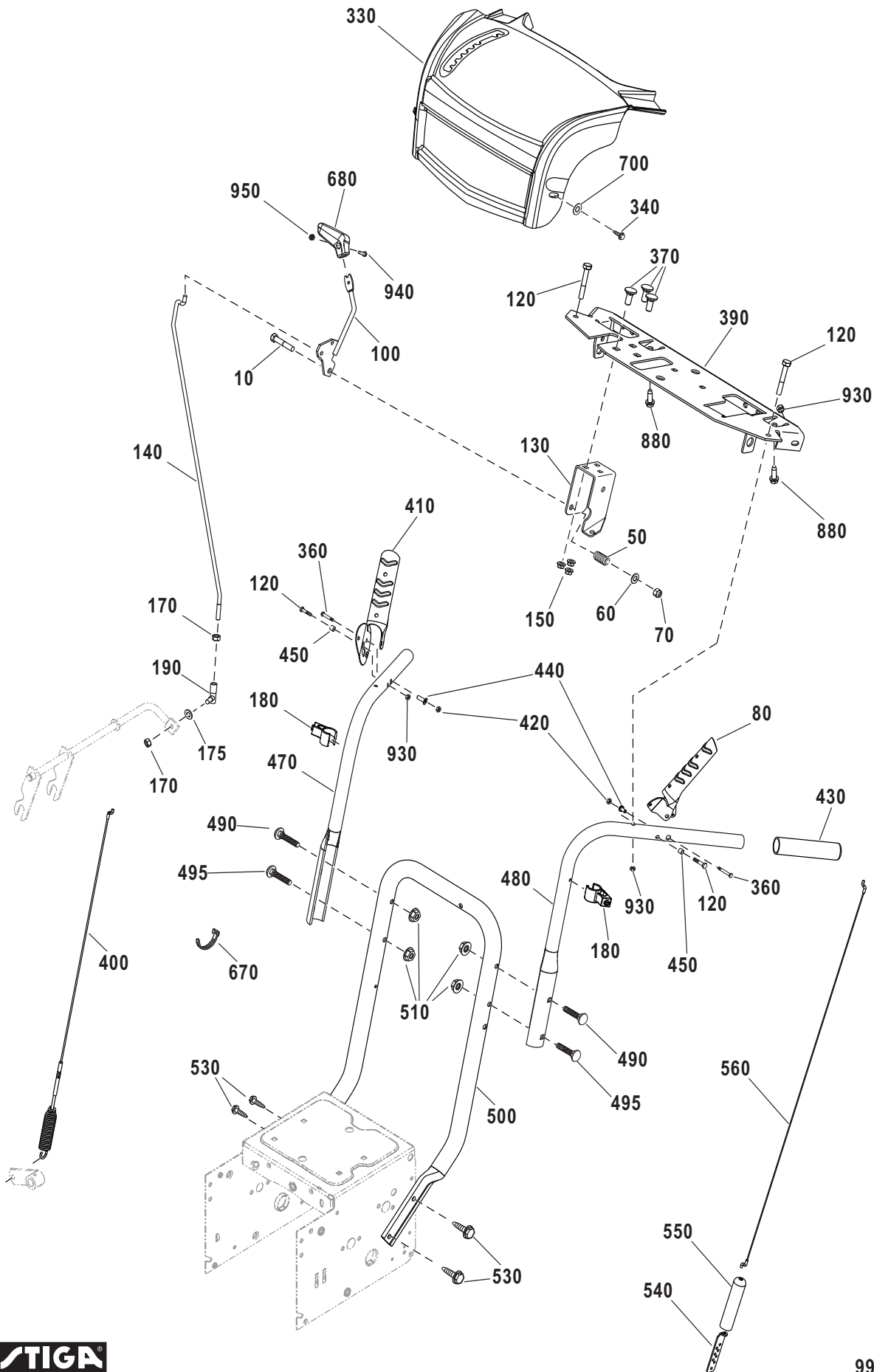
includes:
18-2869-32 Snow Fox

- Use GLOBAL GARDEN PRODUCT Genuine Spare Parts specified in the parts list for repair and/or replacement.
- The contents described in the parts list may change due to improvement.
- The drawings of the spare parts are only indicative and might not represent the part in question exactly.
- The indications "right" - "left" - "front" - "rear" refer to the position of the operator when using the machine.
- When placing orders of parts for repair and/or replacement, make sure that the illustrated parts list is the one applying to the machine's year of manufacture, as shown on the identification plate attached to the machine.

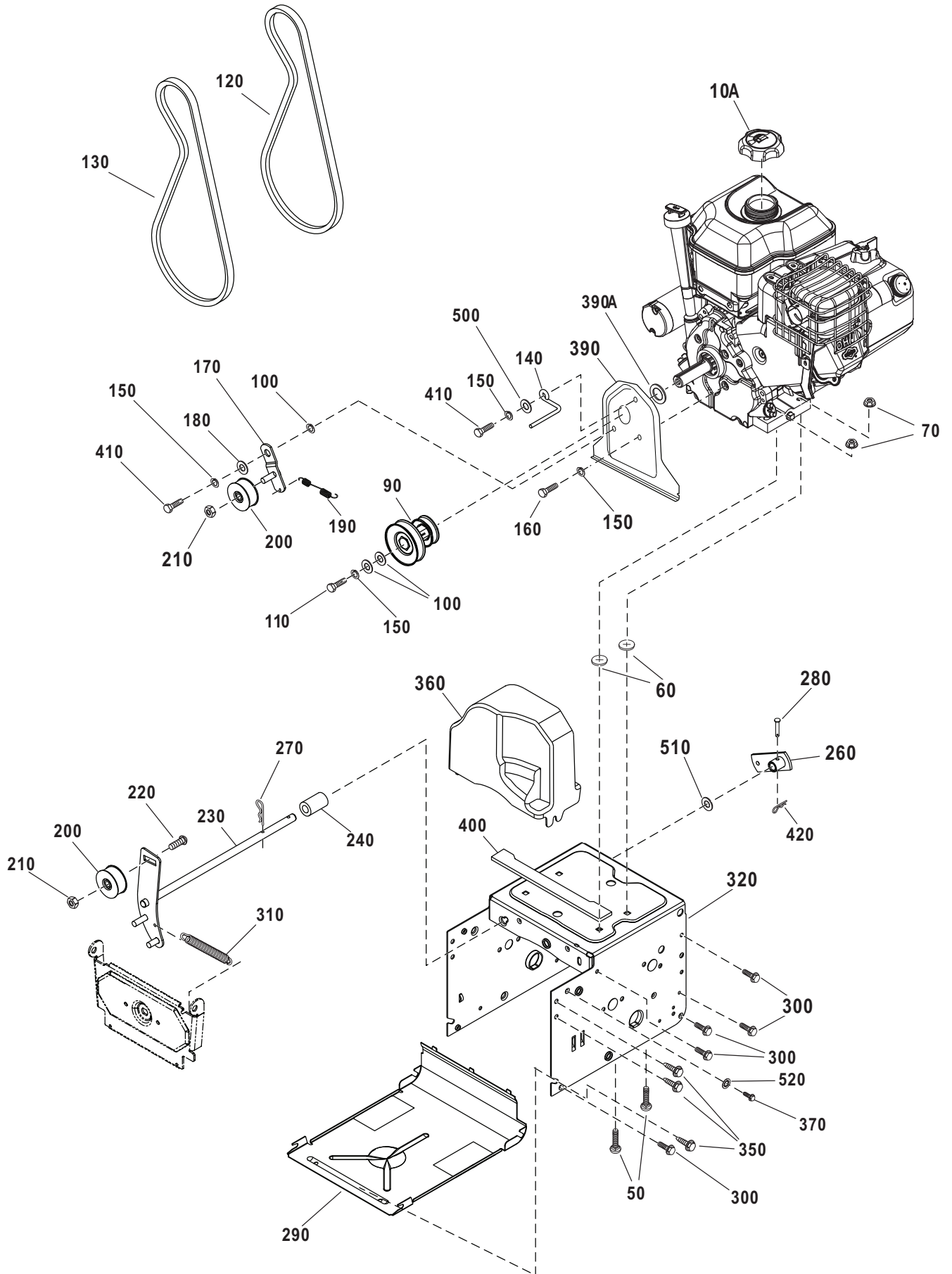
COPYRIGHT by GLOBAL GARDEN PRODUCTS

All rights reserved. No part of this material may be reproduced or transmitted, in any form or by any means, electronic or mechanical, including photocopying, recording or by any information storage and retrieval system, without permission in writing from GLOBAL GARDEN PRODUCTS.

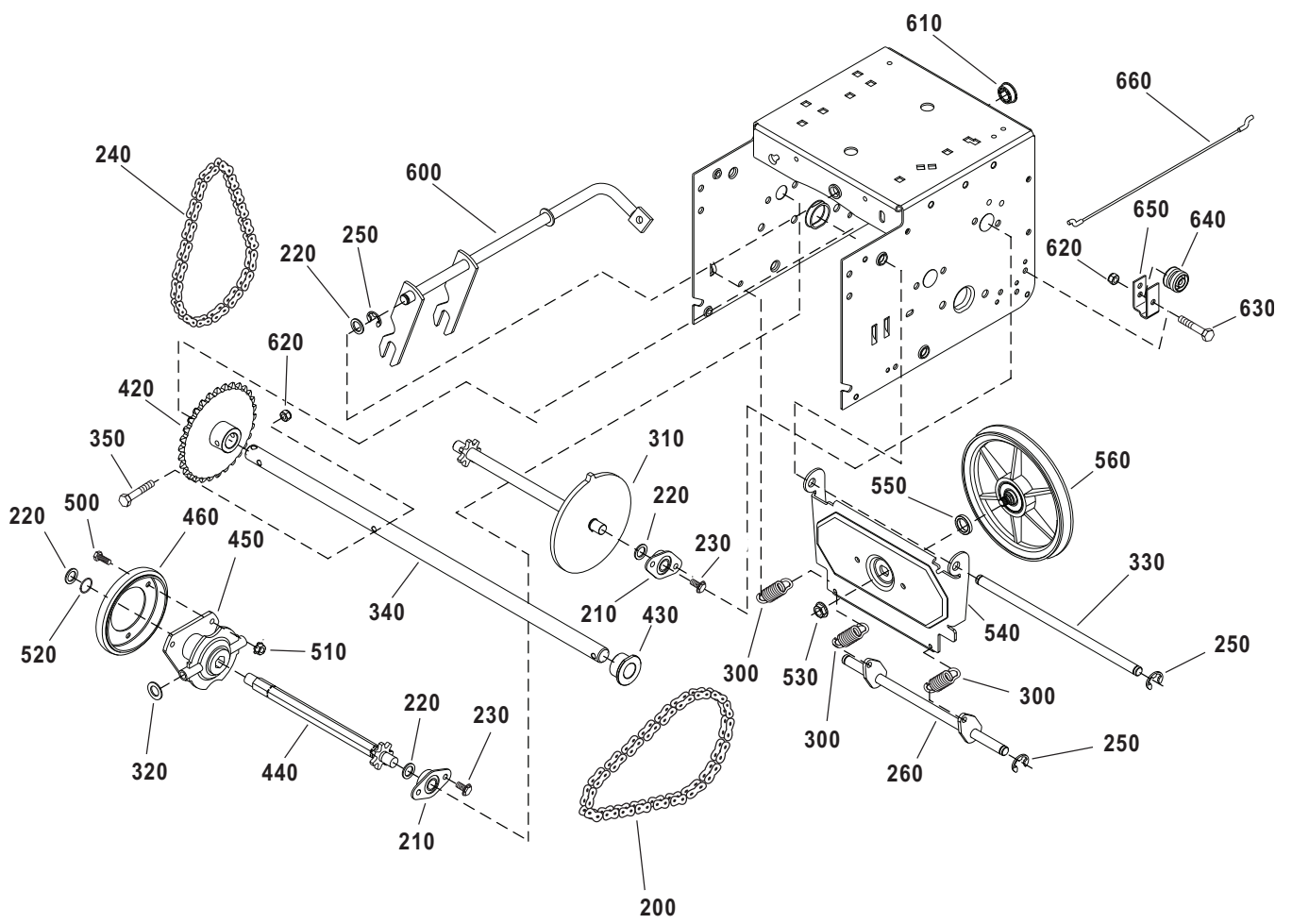




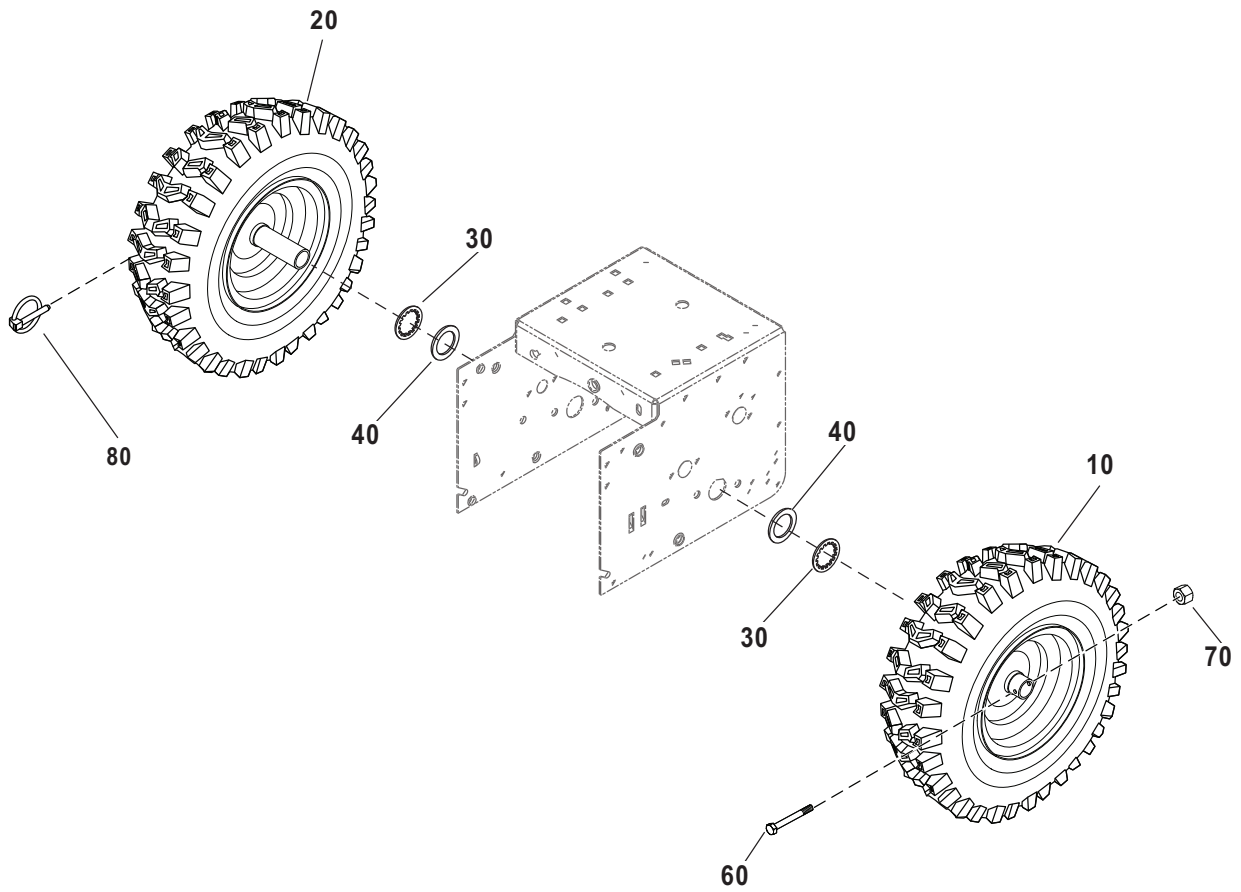
Utgåva Issue 2013-11		Bildnr Picture No 2838		SNOW FOX STYRE REGLAGE		SNOW FOX HANDLE CONTROLS		Sida Page 2	
Pos. Fig.	Antal/Quantity				Art nr Part No	Benämning	Description	Sats Kit	Anmärkning Notes
	2869								
10	1				9988-3751-12	Skruv.....	Screw.....		
50	1				1812-3012-01	Fjäder.....	Spring.....		
60	1				9699-0029-02	Planbricka.....	Flat washer.....		
70	1				9743-3721-32	Mutter.....	Nut.....		
80	1				1812-2605-01	Koppl.reglage-vä.....	Clutch lever-LH.....		
100	1				1812-2511-01	Regl.spak-hastighet.....	Speed lever.....		
120	4				9988-3545-12	Skruv.....	Screw.....		
130	1				1812-2417-01	Fäste.....	Controls brkt.....		
140	1				1812-2751-01	Reglagestång.....	Rod, speed control.....		
150	3				9727-3641-22	Mutter.....	Nut.....		
170	2				9794-5131-02	Mutter.....	Nut.....		
175	1				9683-0030-02	Fjäderbricka.....	Spring washer.....		
180	2				1812-2738-01	Monteringsfäste.....	Bracket, mounting.....		
190	1				1812-2562-01	Kulled.....	Ball joint.....		
330	1				1812-3086-01	Panel.....	Dash.....		
340	2				1812-2257-01	Skruv.....	Screw.....		
360	2				1812-2623-01	Ansatsbult.....	Shoulder bolt.....		
370	4				9899-3625-16	Skruv.....	Screw.....		
390	1				1812-2575-01	Panelfäste.....	Dash support.....		
400	1				1812-2542-01	Reglagewire-snöskruv.....	Drive cable-auger.....		
410	1				1812-2606-01	Koppl.reglage-hö.....	Clutch lever-RH.....		
420	2				1812-2256-01	Mutter.....	Nut.....		
430	2				1812-2351-01	Handtag.....	Hand grip.....		
440	2				1812-2412-01	Distans.....	Stepped spacer.....		
450	2				1812-2148-01	Distans.....	Spacer.....		
470	1				1812-2890-01	Styre överdel-hö.....	Handle upper-RH.....		
480	1				1812-2889-01	Styre överdel-vä.....	Handle upper-LH.....		
490	2				1812-2479-01	Vagnsbult.....	Carriage bolt.....		L = 57 mm
495	2				1812-2476-01	Vagnsbult.....	Carriage bolt.....		L = 45 mm
500	1				1812-2519-01	Styre-undre.....	Handle-lower.....		
510	4				9743-3621-32	Mutter.....	Nut.....		
530	4				1812-2641-01	Skruv.....	Screw.....		
540	1				1133-0977-01	Wirefäste.....	Cable adjust bracket.....		
550	1				1133-0968-01	Wirehylsa.....	Clutch spring boot.....		
560	1				1812-1729-01	Reglagewire.....	Control cable.....		
670	5				1812-2371-01	Buntband.....	Self lock tie.....		
680	1				1812-2379-01	Knopp.....	Knob.....		
700	2				9699-0026-02	Planbricka.....	Flat washer.....		
880	2				1812-2765-01	Skruv.....	Screw.....		
930	4				9743-3521-32	Mutter.....	Nut.....		
940	1				1812-2481-01	Skruv.....	Screw.....		
950	1				1812-2256-01	Mutter.....	Nut.....		
999						Bruksanvisning.....	Owner's manual.....		Ej ill/not ill. /AS PDF



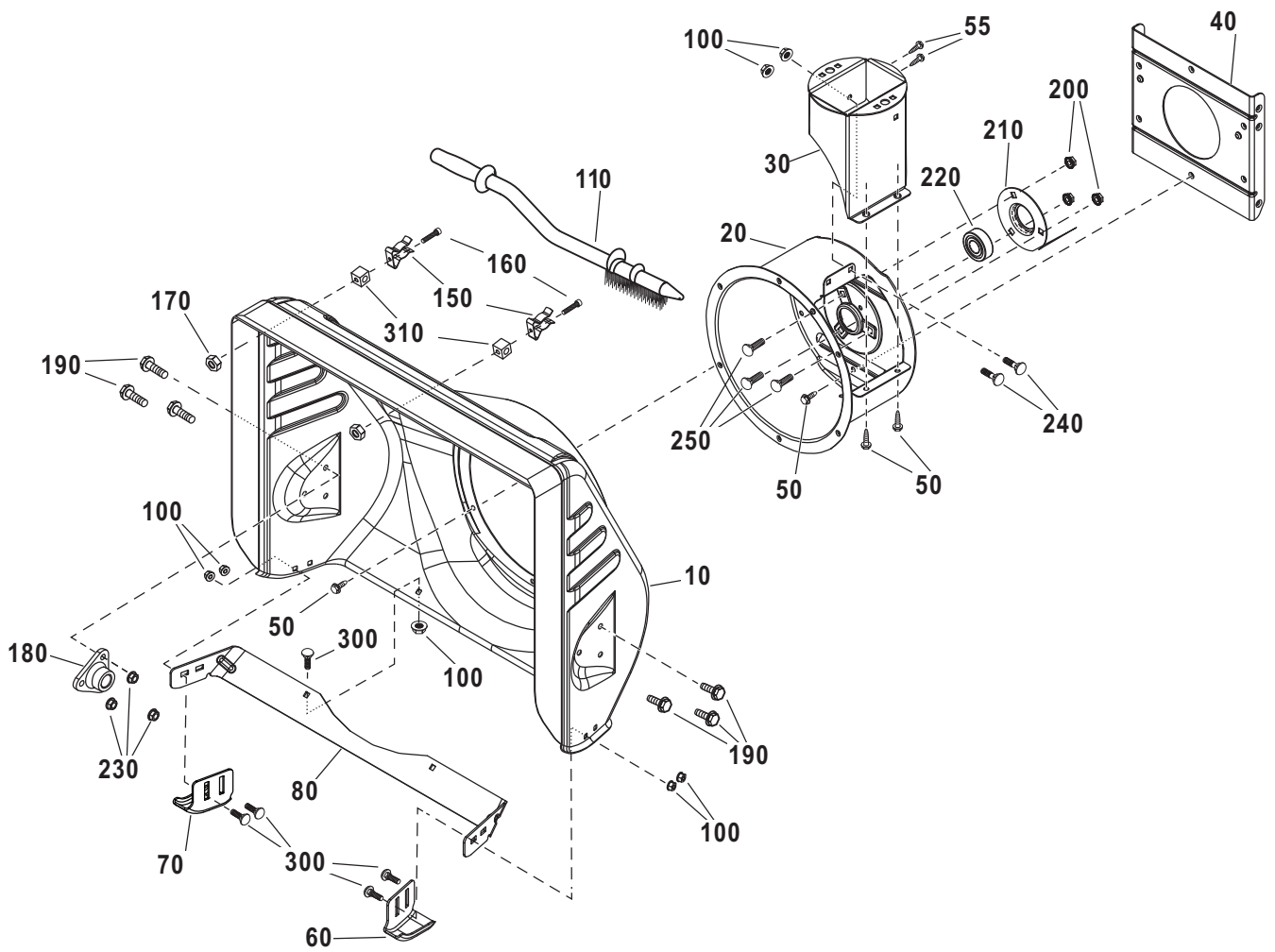
Utgåva Issue 2013-11		Bildnr Picture No 2839		SNOW FOX RAM MOTOR		SNOW FOX FRAME ENGINE		Sida Page 4	
Pos. Fig.	Antal/Quantity				Art nr Part No	Benämning	Description	Sats Kit	Anmärkning Notes
	2869								
10A	1				795027	Tanklock	Fuel cap		B&S-part
50	4				9899-3638-12	Skruv	Screw		
60	4				1812-1681-01	Hållare	Retainer		
70	4				9743-3621-32	Mutter	Nut		
90	1				1812-1719-01	Motorremskiva	Engine pulley		
100	3				1812-2248-01	Bricka	Washer		
110	1				9987-5132-12	Skruv	Screw		
120	1				1812-2220-01	Kilrem-drivning	Belt-traction drive		
130	1				1812-2784-01	Kilrem-snöskruv	Belt-auger		
140	1				1812-2443-01	Remstyrning	Belt guide		
150	4				9683-0030-02	Låsbricka	Lock washer		
160	1				9987-5119-16	Skruv	Screw		
170	1				1812-1722-01	Spännrullsfäste	Idler bracket		
180	1				1812-1705-01	Bussning	Bushing		
190	1				1812-1830-01	Fjäder	Ext.idler spring		
200	2				1812-2077-01	Spännrulle	Tension roller		
210	2				9743-3721-32	Mutter	Nut		
220	1				9899-3732-16	Skruv	Screw		
230	1				1812-2796-01	Spännarm	Auger idler		
240	1				1812-2822-01	Distans	Spacer		
260	1				1812-2844-01	Reglagearm	Control arm		
270	1				1812-2813-01	Låsnål	Hair pin		
280	1				1812-2407-01	Sprint	Clevis pin		
290	1				1812-2465-01	Bottenplåt	Bottom cover		
300	10				1812-2250-01	Skruv	Screw		
310	1				1812-1676-01	Fjäder	Spring		
320	1				1812-3087-01	Ram	Frame		
350	6				1812-2141-01	Skruv	Screw		
360	1				1812-3073-01	Remskydd	Belt cover		
370	2				1812-2748-01	Skruv	Screw		
390	1				1812-2887-01	Regnskydd	Water shield		
390A	1				1812-2505-01	Tätning	Foam seal		
400	1				1812-2614-01	Tätninglist	Seal strip		
410	2				9987-5125-16	Skruv	Screw		
420	1				1812-2281-01	Låsnål	Cotter pin		
500	1				1812-2657-01	Bricka	Flat washer		
510	1				9699-0038-02	Planbricka	Flat washer		
520	2				9677-0006-02	Bricka	Washer		



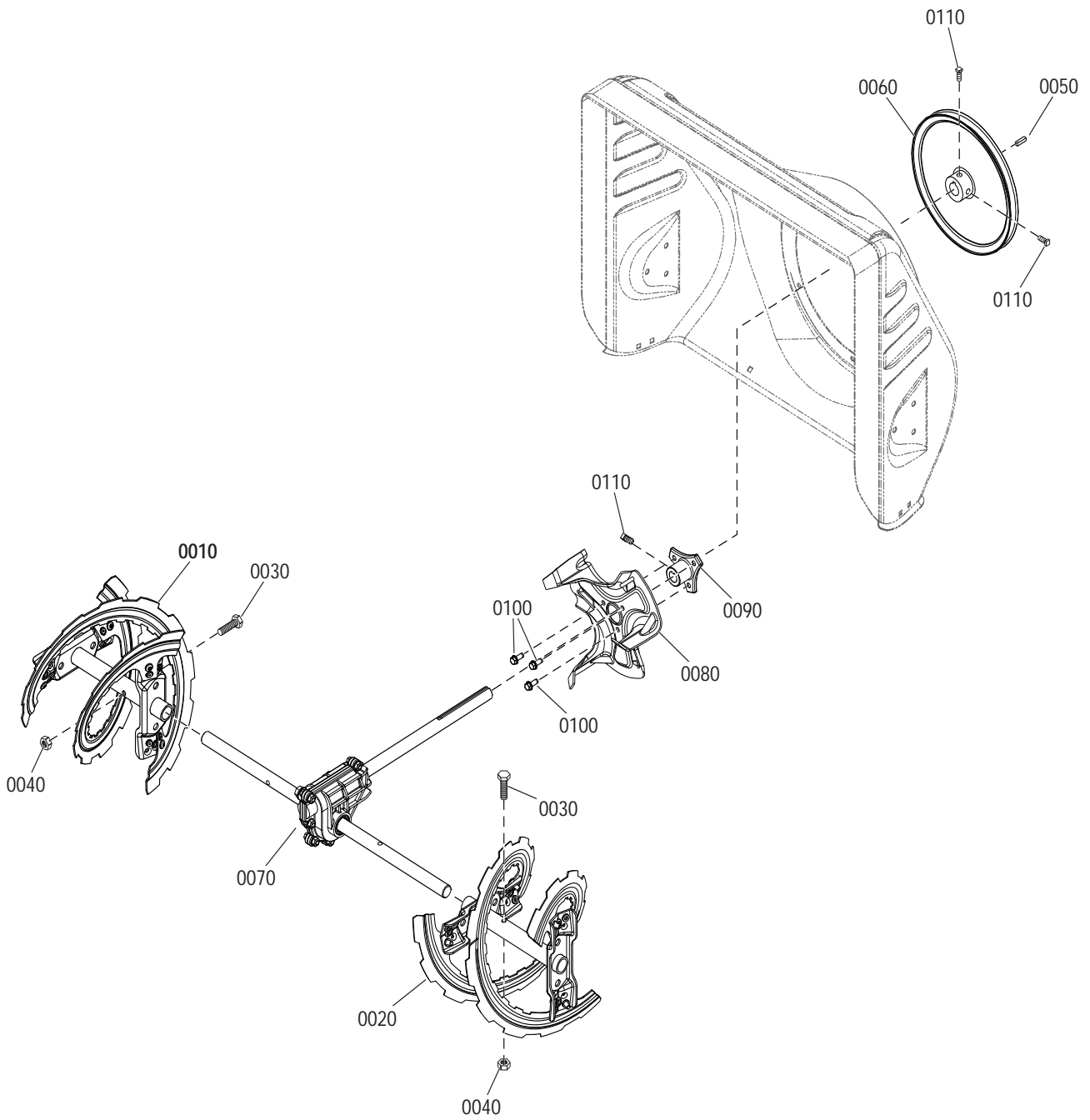
Utgåva Issue 2013-11		Bildnr Picture No 2840		SNOW FOX DRIVNING		SNOW FOX TRACTION DRIVE		Sida Page 6	
Pos. Fig.	Antal/Quantity				Art nr Part No	Benämning	Description	Sats Kit	Anmärkning Notes
	2869								
200	1				1812-1686-01	Kedja.....	Chain.....		
210	4				1812-1178-01	Glidlager m.hållare.....	Bearing & retainer.....		
220	5				1812-1204-01	Bricka.....	Washer.....		
230	8				1812-2249-01	Skruv.....	Screw.....		
240	1				1812-1688-01	Kedja.....	Chain.....		
250	5				1812-1672-01	Låsring.....	Retainer ring.....		
260	1				1812-2076-01	Fjäderlänkarm.....	Spring link.....		
300	3				1812-2410-01	Fjäder.....	Extension spring.....		
310	1				1812-1751-01	Axel m drev.....	Sprocket set.....		
320	2				9699-0038-02	Planbricka.....	Flat washer.....		
330	1				1812-2820-01	Axel-svängplatta.....	Axle-swing plate.....		
340	1				1812-1862-01	Hjulaxel.....	Axle shaft.....		
350	1				1812-1755-01	Skruv.....	Screw.....		
420	1				1812-1712-01	Kedjedrev.....	Sprocket.....		
430	2				1812-1724-01	Lager.....	Axle bearing.....		
440	1				1812-1750-01	Sexkantsaxel.....	Hex shaft.....		
450	1				1812-2734-01	Nav, friktionshjul.....	Hub, friction wheel.....		
460	1				1812-9028-01	Friktionshjul.....	Friction disc wheel.....		
500	3				9988-3516-16	Skruv.....	Screw.....		
510	3				9795-3531-02	Mutter.....	Nut.....		
520	1				1812-2380-01	Låsring.....	Retext ring.....		
530	1				1812-2824-01	Flänslåsmutter.....	Flange lock nut.....		
540	1				1812-2819-01	Svängplatta.....	Swing plate.....		
550	1				1812-1739-01	Distans.....	Spacer.....		
560	1				1812-1725-01	Friktionsremskiva.....	Friction pulley.....		
600	1				1812-2821-01	Växelarm.....	Yoke rod.....		
610	1				1812-1219-01	Plastbussning.....	Plastic bushing.....		
620	2				9743-3521-32	Mutter.....	Nut.....		
630	1				9988-3538-12	Skruv.....	Screw.....		
640	1				1812-1205-01	Spole.....	Spool.....		
650	1				1812-1702-01	Fäste.....	Bracket.....		
660	1				1812-1727-01	Reglagewire-nedre.....	Drive cable-lower.....		



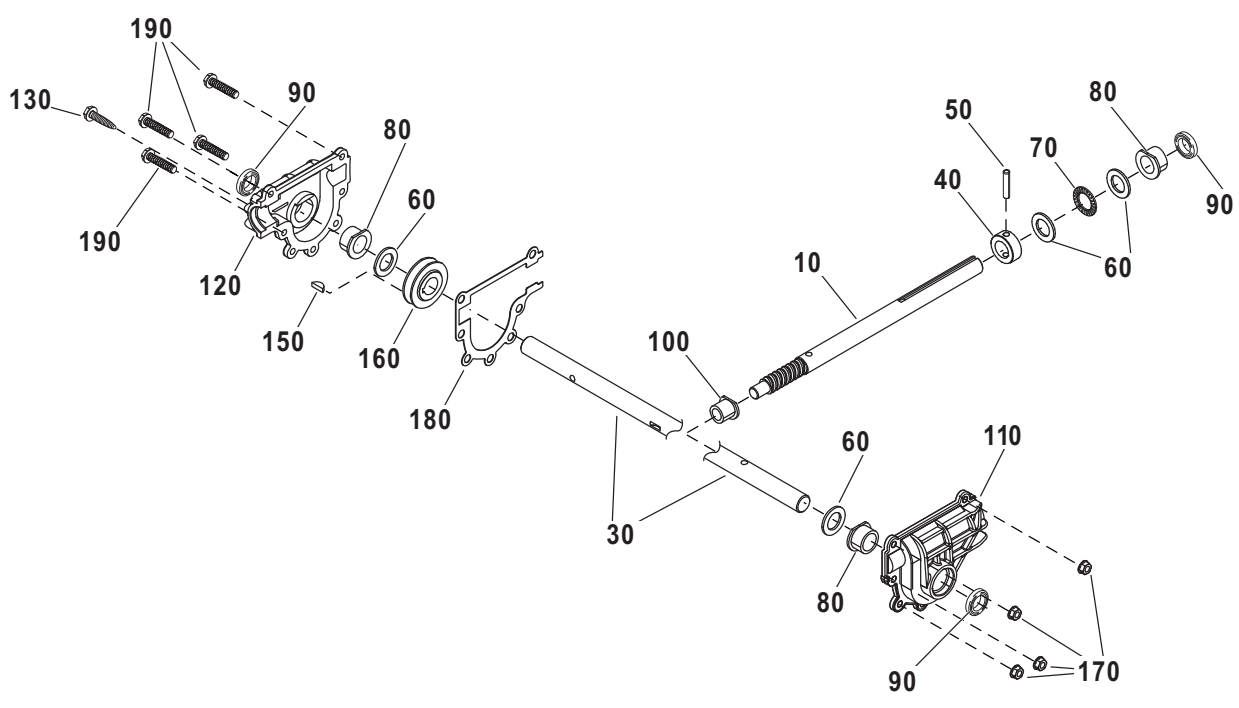
Utgåva Issue 2013-11		Bildnr Picture No 2841		SNOW FOX HJUL		SNOW FOX WHEEL		Sida Page 8	
Pos. Fig.	Antal/Quantity				Art nr Part No	Benämning	Description	Sats Kit	Anmärkning Notes
	2869								
10	1				1812-3055-01	Hjul kpl-vä.....	Wheel & tire assy-LH.....		13 x 5.0
20	1				1812-3056-01	Hjul kpl-hö.....	Wheel & tire assy-RH.....		13 x 5.0
30	2				1812-2139-01	Låsring.....	Retaining ring.....		
40	2				1812-3020-01	Bricka.....	Washer.....		
60	1				1812-1114-01	Bult.....	Bolt.....		
70	1				1812-1760-01	Mutter.....	Nut.....		
80	1				1812-0408-01	Låssprint.....	Clik pin.....		



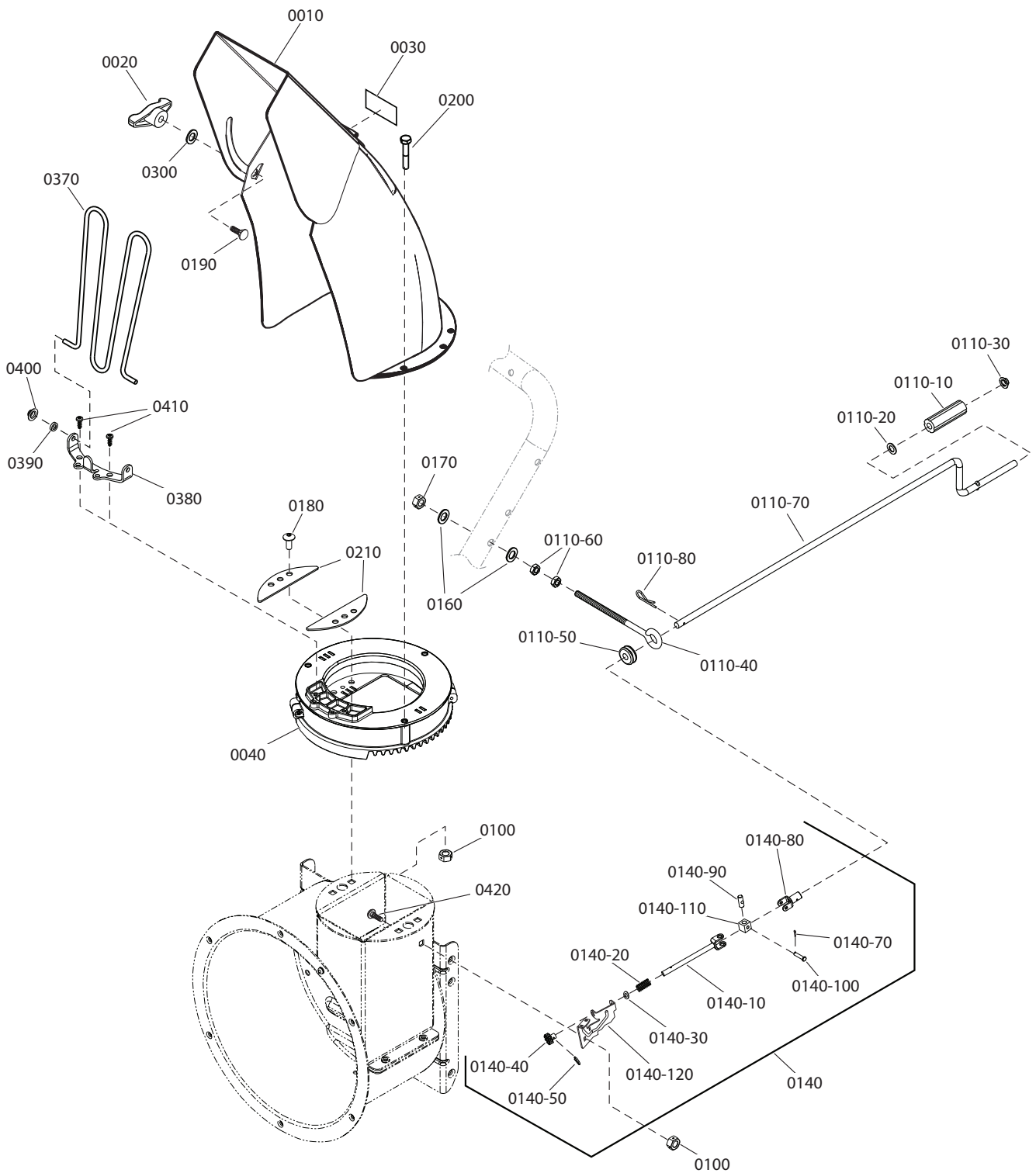
Utgåva Issue	Bildnr Picture No	SNOW FOX INMATNINGSHUS		SNOW FOX AUGER HOUSING		Sida Page			
2013-11	2842					10			
Pos. Fig.	Antal/Quantity				Art nr Part No	Benämning	Description	Sats Kit	Anmärkning Notes
	2869								
10	1				1812-2774-01	Inmatningshus.....	Auger housing.....		24"
20	1				1812-2778-01	Fläkthus.....	Impeller housing.....		
30	1				1812-2789-01	Utkaströr.....	Chimney.....		
40	1				1812-2779-01	Fäste, bakre.....	Bracket, rear mount.....		
50	14				1812-2475-01	Skruv.....	Screw.....		
55	2				1812-2619-01	Skruv.....	Screw.....		
60	1				1812-2783-01	Släpsko-vä.....	Skid shoe-LH.....		
70	1				1812-2782-01	Släpsko-hö.....	Skid shoe-RH.....		
80	1				1812-2785-01	Skrapskär.....	Scraper bar.....		
100	8				9743-3521-32	Mutter.....	Nut.....		
110	1				1812-2400-01	Borste.....	Cleanout brush.....		
150	2				1812-2413-01	Klämma.....	Spring clamp.....		
160	2				1812-2480-01	Skruv.....	Screw.....		
170	2				1812-1912-01	Mutter.....	Nut.....		
180	2				1812-0878-01	Lager.....	Bearing.....		
190	6				9988-3619-16	Skruv.....	Screw.....		
200	3				9727-3641-22	Mutter.....	Nut.....		
210	1				1812-2142-01	Lagerhållare.....	Bearing retainer.....		
220	1				1812-2346-01	Lager.....	Greased bearing.....		
230	6				9743-3621-32	Mutter.....	Nut.....		
240	2				9899-3516-16	Skruv.....	Screw.....		
250	3				9899-3622-16	Skruv.....	Screw.....		
300	6				1812-2254-01	Vagnsbult.....	Carriage bolt.....		
310	2				1812-1317-01	Ledknut.....	Universal pivot block.....		



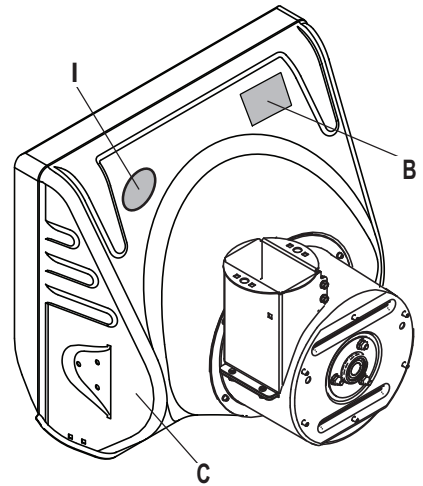
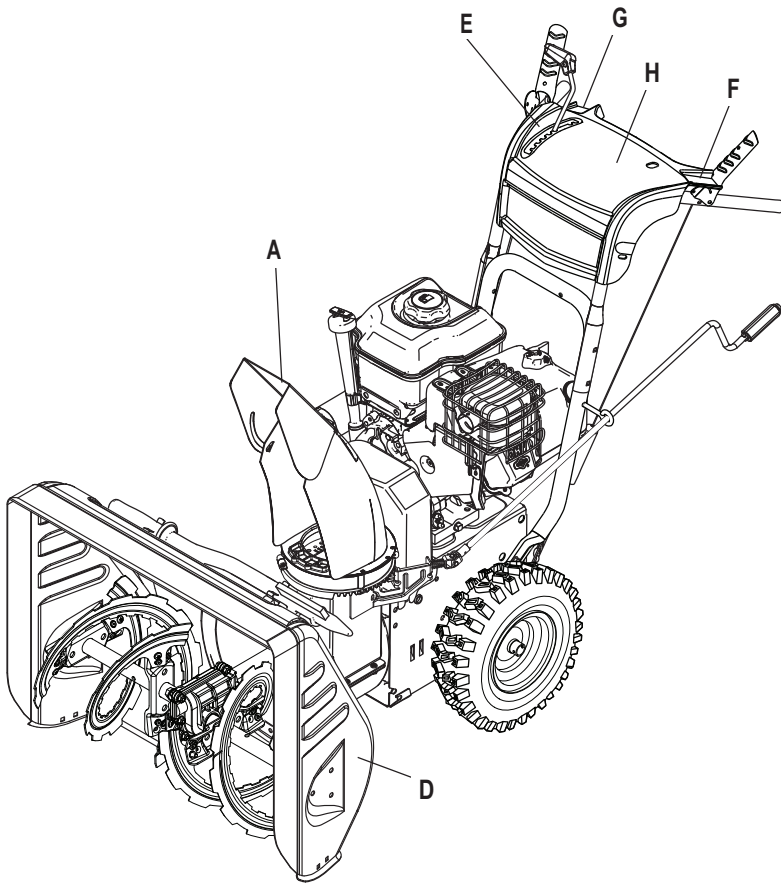
Utgåva Issue 2013-11		Bildnr Picture No 2843A		SNOW FOX SNÖSKRUV		SNOW FOX AUGER DRIVE		Sida Page 12	
Pos. Fig.	Antal/Quantity				Art nr Part No	Benämning	Description	Sats Kit	Anmärkning Notes
	2869								
X	10	1			1812-2930-01	Snöskruv-hö.....	Auger-RH.....		24"
	20	1			1812-2929-01	Snöskruv-vä.....	Auger-LH.....		
	30	1			1812-9032-01	Brytbultsats.....	Shear bolt kit.....		
	40	2			1812-0812-01	Mutter.....	Nut.....		
	50	1			1812-1609-01	Kil.....	Key.....		
	60	1			1812-2793-01	Remskiva.....	Auger pulley.....		
	70	1			1812-2804-01	Snäckväxel kpl.....	Gear case assy.....		
	80	1			1812-2780-01	Fläkt.....	Impeller.....		
	90	1			1812-2553-01	Nav-fläkt.....	Hub-impeller.....		
	100	3			1812-2249-01	Skruv.....	Screw.....		
	110	3			1812-2640-01	Stoppsskruv.....	Set screw.....		



Utgåva Issue 2013-11		Bildnr Picture No 2844		SNOW FOX SNÄCKVÄXEL		SNOW FOX GEAR CASE		Sida Page 14	
Pos. Fig.	Antal/Quantity				Art nr Part No	Benämning	Description	Sats Kit	Anmärkning Notes
	2869								
10	1				1812-2781-01	Fläktaxel	Impeller shaft		
30	1				1812-2786-01	Snöskruvaxel	Auger shaft		
40	1				1812-1321-01	Distans	Thrust collar		
50	1				1133-0395-01	Stift	Roll pin		
60	4				1812-0857-01	Bricka	Thrust washer		
70	1				1812-0285-01	Nållager	Needle bearing		
80	3				1812-1360-01	Flänslager	Flange bearing		
90	3				1812-0881-01	Tätningring	Oil seal		
100	1				1812-1359-01	Bussning	Bushing		
110	1				1812-0908-01	Snäckväxelhus-vä	Gear case-LH		
120	1				1812-0909-01	Snäckväxelhus-hö	Gear case-RH		
130	1				1812-3052-01	Skruv	Screw		
150	1				1812-1371-01	Kil	Woodruff key		
160	1				1812-2798-01	Snäckdrev	Worm gear		
170	7				1812-1758-01	Mutter	Nut		
180	1				1812-1361-01	Packning	Gasket		
190	7				9988-3519-16	Skruv	Screw		



Utgåva Issue 2013-11		Bildnr Picture No 2845A		SNOW FOX UTKAST		SNOW FOX DISCHARGE CASE		Sida Page 16	
Pos. Fig.	Antal/Quantity				Art nr Part No	Benämning	Description	Sats Kit	Anmärkning Notes
	2869								
x 10	1				1812-3126-01	Utkast	Chute		
20	1				1812-2805-01	Lås ratt	Wing knob		
40	1				1812-2795-01	Utkastrotation	Chute rotation assy		
100	4				9743-3521-32	Mutter	Nut		
110A	1				1812-3014-01	Handtag	Handle		
110B	1				1812-1171-01	Bricka	Washer		
110C	1				1812-1483-01	Låsning	Retainer		
110D	1				1812-1821-01	Öglebult	Eye bolt		
110E	1				1812-0203-01	Hylsa	Grommet		
110F	2				9743-3721-32	Mutter	Nut		
110G	1				1812-1707-01	Inställningsvev	Chute crank		
110H	1				1812-2813-01	Låsnål	Hair pin		
140	1				1812-2934-01	Fäste kpl.	Bracket assy		
140A	1				1812-1826-01	Gaffelstång	Yoke and rod		
140B	1				1812-1761-01	Fjäder	Spring		
140C	1				1812-2814-01	Bricka	Washer		
140D	1				1812-1706-01	Drev	Gear		
140E	1				1812-1791-01	Låsnål	Hair pin		
140F	1				9599-0033-00	Saxsprint	Split pin		
140G	1				1812-1708-01	Gaffel	Yoke adapter		
140H	1				1812-1316-01	Axel	Universal pin		
140I	1				1812-1318-01	Sprint	Clevis pin		
140J	1				1812-1317-01	Ledknut	Universal pivot block		
140K	1				1812-2794-01	Fäste	Mounting bracket		
150	1				9743-3521-32	Mutter	Nut		
160	2				9699-0035-02	Planbricka	Flat washer		
170	1				9743-3721-32	Mutter	Nut		
180	4				1812-3050-01	Skruv	Screw		
190	1				1812-2978-01	Vagnsbult	Carriage bolt		
200	3				1812-2771-01	Skruv	Screw		
210	2				1812-2942-01	Förstärkning	Stiffener		
300	1				1812-2278-01	Bricka	Washer		
370	1				1812-2381-01	Utkastskydd	Chute guard		
380	1				1812-2902-01	Fäste	Chute guard brkt		
390	2				1812-2426-01	Hylsa	Grommet		
400	2				1812-2478-01	Snabbmutter	Push nut		
410	2				1812-3049-01	Skruv	Screw		
420	1				1812-2975-01	Skruv	Screw		



1

6

5

4

3

2


↑ 1

↓ R1


↓ R2

1736616


G




E




F



A



B



I



Utgåva Issue 2013-11		Bildnr Picture No 2846		SNOW FOX DEKALER		SNOW FOX LABELS		Sida Page 18	
Pos. Fig.	Antal/Quantity				Art nr Part No	Benämning	Description	Sats Kit	Anmärkning Notes
	2869								
1	1				1812-2806-01	Dekalsats.....	Label kit		Incl. A-I