

Genuine Spare Parts

www.stiga.com

SNOW FLAKE/POWER

includes:

18-2829-33 Snow Flake

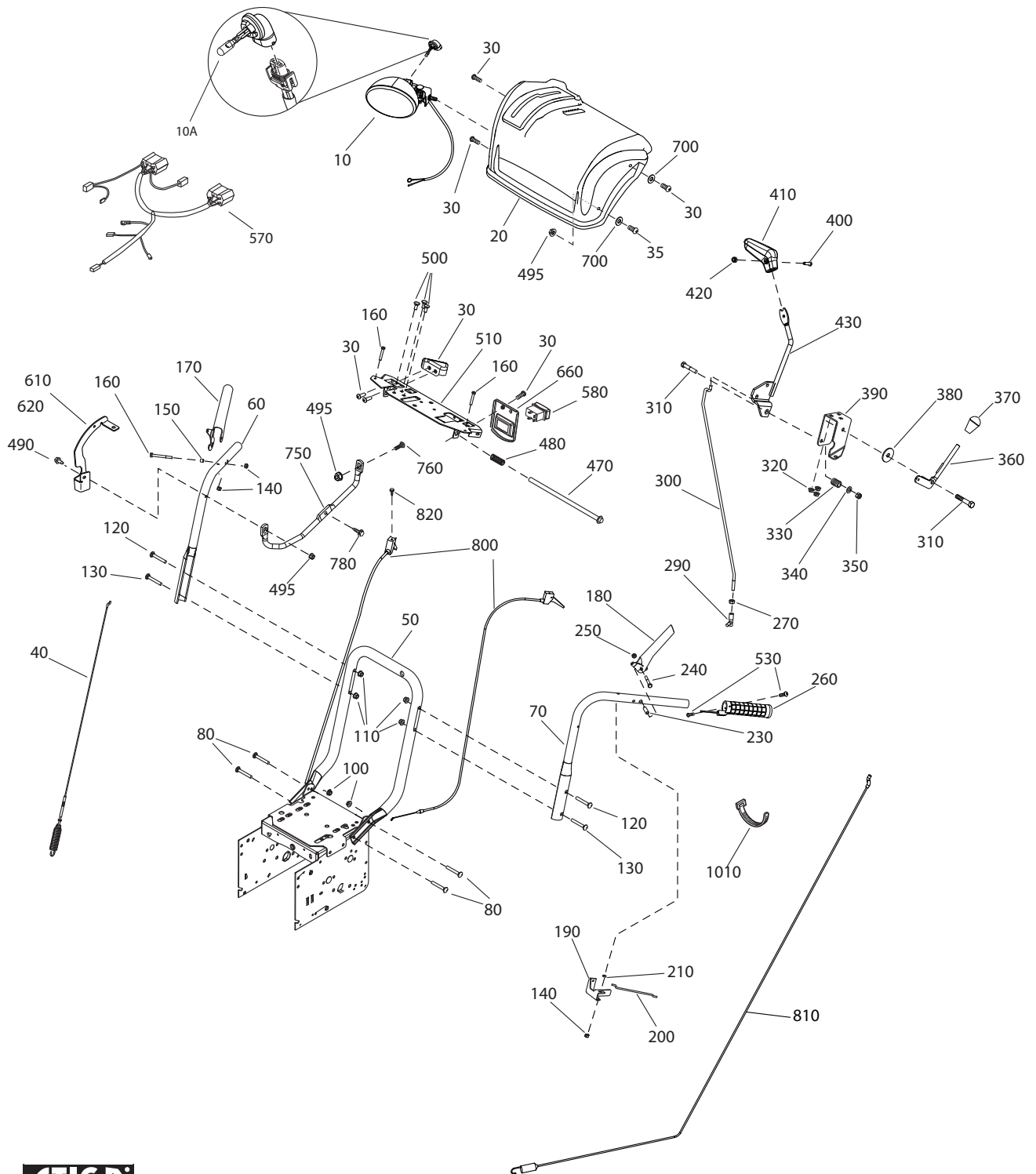
18-2847-34 Snow Power

- Use GLOBAL GARDEN PRODUCT Genuine Spare Parts specified in the parts list for repair and/or replacement.
- The contents described in the parts list may change due to improvement.
- The drawings of the spare parts are only indicative and might not represent the part in question exactly.
- The indications "right" - "left" - "front" - "rear" refer to the position of the operator when using the machine.
- When placing orders of parts for repair and/or replacement, make sure that the illustrated parts list is the one applying to the machine's year of manufacture, as shown on the identification plate attached to the machine.

COPYRIGHT by GLOBAL GARDEN PRODUCTS

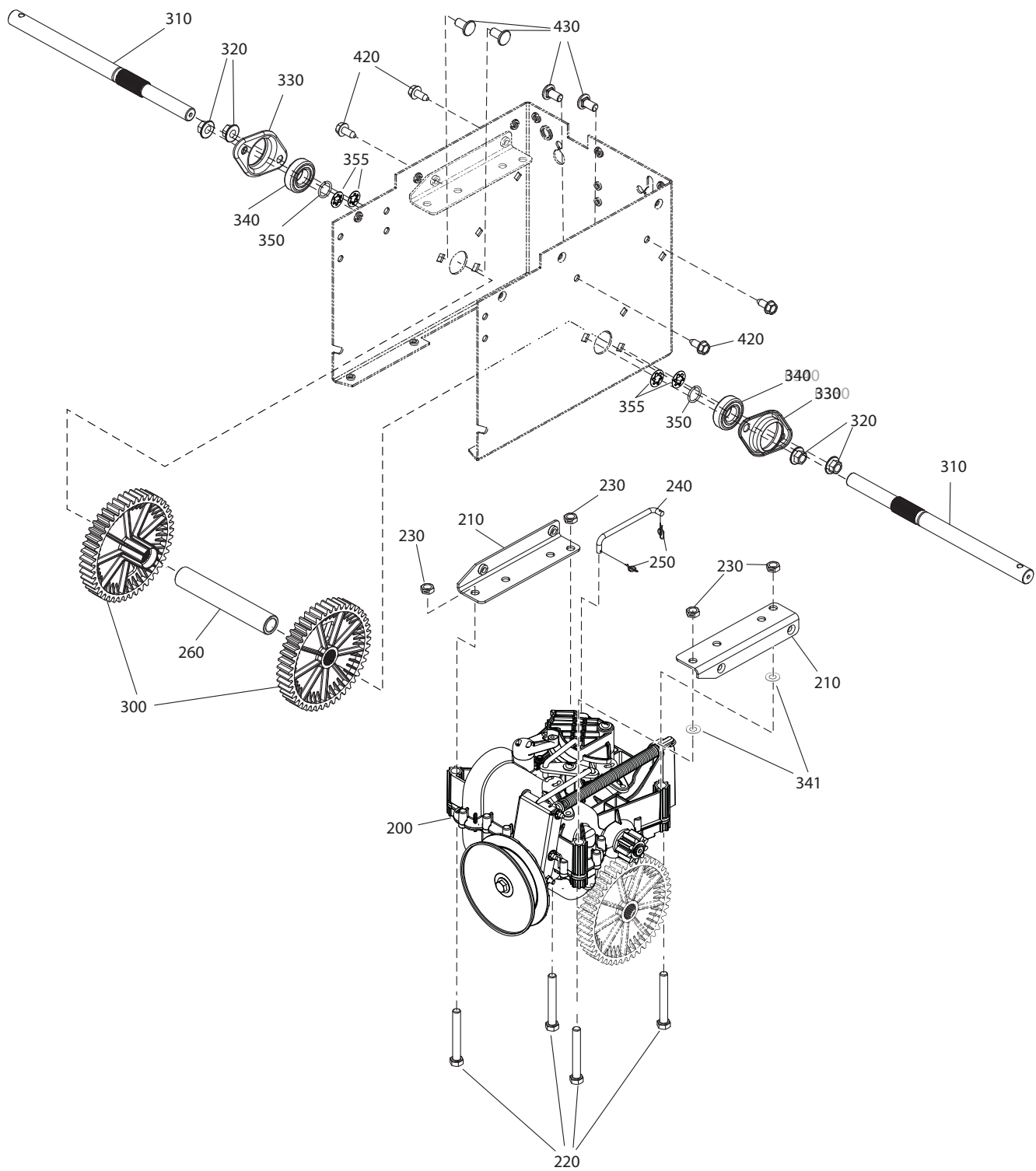
All rights reserved. No part of this material may be reproduced or transmitted, in any form or by any means, electronic or mechanical, including photocopying, recording or by any information storage and retrieval system, without permission in writing from GLOBAL GARDEN PRODUCTS.





Utgåva Issue 2013-11		Bildnr Picture No 2774B		SNOW FLAKE/POWER STYRE REGLAGE		SNOW FLAKE/POWER HANDLE CONTROLS		Sida Page 2	
Pos. Fig.	Antal/Quantity				Art nr Part No	Benämning	Description	Sats Kit	Anmärkning Notes
	2829	2847							
10	1	1			1812-2548-01	Strålkastare kpl	Headlight assy		
10A	1	1			1812-1909-01	Halogenlampa.....	Halogene bulb		
20	1	1			1812-2628-01	Panel	Panel cover.....		
30	6	6			1812-2644-01	Skruv.....	Screw.....		
35	1	1			1812-2265-01	Skruv.....	Screw.....		
40	1	1			1812-2542-01	Reglagewire-snöskruv	Drive cable-auger.....		
50	1	1			1812-2519-01	Styre-undre	Handle-lower.....		
60	1	1			1812-2540-01	Styre-övre, hö	Handle-upper, RH		
70	1	1			1812-2541-01	Styre-övre, vä	Handle-upper, LH		
80	4	4			1812-2545-01	Vagnsbult	Carriage bolt.....		
100	4	4			9795-3631-02	Mutter	Nut.....		
110	6	6			9743-3621-32	Mutter	Nut.....		
120	2	2			1812-2479-01	Vagnsbult	Carriage bolt.....		
130	2	2			1812-2476-01	Vagnsbult	Carriage bolt.....		
140	4	4			9743-3521-32	Mutter	Nut.....		
150	2	2			1812-2148-01	Distans	Spacer.....		
160	4	4			9988-3545-12	Skruv.....	Screw.....		
170	1	1			1812-2606-01	Koppl.reglage-hö.....	Clutch lever-RH		
180	1	1			1812-2605-01	Koppl.reglage-vä	Clutch lever-LH		
190	1	1			1812-2231-01	Fäste.....	Bracket		
200	1	1			1812-2404-01	Stång	Hold down rod		
210	1	1			1812-2206-01	Distans	Spacer.....		
230	2	2			1812-2412-01	Distans	Stepped spacer.....		
240	2	2			1812-3072-01	Ansatsbult	Shoulder bolt.....		
250	2	2			1812-2256-01	Mutter	Nut.....		
260	2	2			1812-2549-01	Handtag.....	Hand grip		
270	1	1			9794-5131-02	Mutter	Nut.....		
290	1	1			1812-2562-01	Kulled	Ball joint.....		
300	1	1			1812-2529-01	Reglagestång.....	Speed select rod		
310	2	2			9988-3751-12	Skruv.....	Screw.....		
320	3	3			9727-3641-22	Mutter	Nut.....		
330	2	2			1812-3012-01	Fjäder	Spring		
340	2	2			9699-0029-02	Planbricka.....	Flat washer.....		
350	2	2			9743-3721-32	Mutter	Nut.....		
360	1	1			1812-2725-01	Spak-deflektor	Lever-deflector contr.....		
370	1	1			1812-2182-01	Knopp	Knob.....		
380	1	1			1812-2648-01	Distans	Spacer.....		
390	1	1			1812-2417-01	Fäste.....	Controls brkt		
400	1	1			1812-2481-01	Skruv.....	Screw.....		
410	1	1			1812-2379-01	Knopp	Knob.....		
420	2	2			1812-2256-01	Mutter	Nut.....		
430	1	1			1812-2511-01	Regl.spak-hastighet	Speed lever.....		
470	1	1			1812-2718-01	Stång & fjäder.....	Rod & spring.....		
480	1	1			1812-2268-01	Tryckfjäder	Comp spring.....		
490	2	2			9988-3545-12	Skruv.....	Screw.....		
495	4	4			9743-3521-32	Mutter	Nut.....		
500	3	3			9899-3622-16	Skruv.....	Screw.....		
510	1	1			1812-2575-01	Panelfäste.....	Dash support		
530	4	4			1812-2624-01	Skruv.....	Screw.....		
570	1	1			1812-3014-01	Kablage.....	Wiring harness		
575	1	1			1812-2931-01	Kablage.....	Wiring harness		
580	1	1			1812-2932-01	Brytare	Switch		
610	1	1			1812-2621-01	Fäste-hö	Mounting brkt-RH		
620	1	1			1812-2620-01	Fäste-vä.....	Mounting brkt-LH.....		
640	1	1			1812-2573-01	Brytarfäste-hö.....	Chute rotation pod-RH.....		
700	3	3			9699-0026-02	Planbricka.....	Flat washer		
750	1	1			1812-2543-01	Stag	Shift brace		
760	1	1			1812-2486-01	Vagnsbult	Carriage bolt.....		
780	1	1			1812-2474-01	Skruv.....	Screw.....		
800	2	2			1812-2538-01	Wire-styrkontroll	Cable-steering contr.		
810	1	1			1812-2539-01	Wire-drivning	Cable-traction drive		
820	2	2			1812-2650-01	Skruv.....	Screw.....		
1010	4	4			9579-0003-00	Buntband.....	Cable holder.....		

Utgåva Issue 2013-11		Bildnr Picture No 2775A		SNOW FLAKE/POWER RAM MOTOR		SNOW FLAKE/POWER FRAME ENGINE		Sida Page 4	
Pos. Fig.	Antal/Quantity			Art nr Part No	Benämning	Description	Sats Kit	Anmärkning Notes	
	2829	2847							
50	4	4		9955-3732-12	Skruv.....	Screw.....			
80	1	1		1812-2537-01	Remskiva.....	Belt pulley.....			
100	1			9683-0030-02	Låsbricka.....	Lock washer.....		5/16"	
100		1		9683-0035-02	Låsbricka.....	Lock washer.....		3/8"	
110	1			9987-5145-12	Skruv.....	Screw.....		5/16-24x1-3/4"	
110		1		9987-5245-12	Bult.....	Bolt.....		3/8-24x1-3/4"	
115	1	1		1812-2645-01	Kil.....	Key.....			
120	1	1		1812-2515-01	Rem.....	Belt.....			
125	1	1		1812-2507-01	Remskiva.....	Belt pulley.....			
130	1	1		1812-9020-01	Drivrem.....	Drive belt.....			
140	1	1		1812-2532-01	Remstyrning.....	Belt stop.....			
170	1	1		9795-3631-02	Mutter.....	Nut.....			
171	1	1		9899-3625-16	Skruv.....	Screw.....			
176	1	1		1812-2643-01	Bricka.....	Washer.....			
177	1	1		1812-2206-01	Distans.....	Spacer.....			
178	1	1		1812-2527-01	Arm.....	Bell crank.....			
179	1	1		1812-2526-01	Fäste-nedre.....	Bracket-lower.....			
180	1	1		1812-2522-01	Stödfäste-spännarm.....	Supp.brkt-auger idler.....			
190	1	1		1812-2530-01	Fäste-ledrulle.....	Bracket-guide wheel.....			
191	1	1		9988-3538-12	Skruv.....	Screw.....			
192	1	1		1812-1205-01	Spole.....	Spool.....			
193	2	2		9743-3521-32	Mutter.....	Nut.....			
200	1	1		1812-2077-01	Spännrulle.....	Tension roller.....			
210	1	1		9743-3721-32	Mutter.....	Nut.....			
220	1	1		9899-3732-16	Skruv.....	Screw.....			
225	1	1		9699-0035-02	Planbricka.....	Flat washer.....			
230	1	1		1812-2521-01	Spännarm-snöskruv.....	Auger idler.....			
250	2	2		9699-0038-02	Planbricka.....	Flat washer.....			
260	1	1		1812-2804-01	Reglagearm.....	Control arm.....			
270	2	2		1812-2813-01	Låsnål.....	Hair pin.....			
280	1	1		1812-2407-01	Sprint.....	Clevis pin.....			
290	1	1		1812-2516-01	Bottenplåt.....	Bottom panel.....			
300	7	7		1812-2250-01	Skruv.....	Screw.....			
310	1	1		1812-2531-01	Vridfjäder.....	Torsional spring.....			
320	1	1		1812-2514-01	Ram.....	Frame box.....			
330	1			1812-3075-01	Motorplatta.....	Plate, engine mount.....			
330		1		1812-3076-01	Motorplatta.....	Plate, engine mount.....			
350	19	19		1812-2141-01	Skruv.....	Screw.....			
360	1	1		1812-2622-01	Remskydd.....	Belt cover.....			
370	2	2		1812-2748-01	Skruv.....	Screw.....			
420	1	1		1812-2281-01	Låsnål.....	Cotter pin.....			



Utgåva Issue 2013-11		Bildnr Picture No 2776A		SNOW FLAKE/POWER DRIVNING		SNOW FLAKE/POWER TRANSMISSION		Sida Page 6	
Pos. Fig.	Antal/Quantity				Art nr Part No	Benämning	Description	Sats Kit	Anmärkning Notes
	2829	2847							
200	1	1			1812-2508-01	Transmission kpl.....	Transmission assy		
210	2	2			1812-2518-01	Fäste.....	Bracket		
220	4	4			1812-2658-01	Skruv.....	Cap screw		
230	4	4			9743-3721-32	Mutter	Nut.....		
240	1	1			1812-2528-01	Reglagestång.....	Speed select rod		
250	2	2			1812-2281-01	Låsnål	Cotter pin		
260	1	1			1812-2524-01	Stödrör	Support tube		
300	2	2			1812-2525-01	Drev	Drive gear.....		
310	2	2			1812-2523-01	Axel	Axle		
320	4	4			1132-0695-01	Mutter	Nut.....		
330	2	2			1812-2408-01	Lagerhållare.....	Bearing retainer.....		
340	2	2			1812-1920-01	Kullager	Ball bearing		
341	4	4			9695-0010-00	Schims	Washer.....		
350	2	2			1812-2546-01	Låsring	Retaining ring.....		
355	4	4			1812-2647-01	Låsbricka	Bolt retainer		
420	4	4			1812-2141-01	Skruv.....	Screw.....		
430	4	4			1812-2544-01	Vagnsbult	Carriage bolt.....		

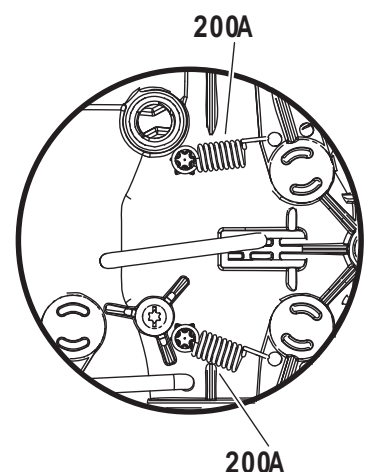
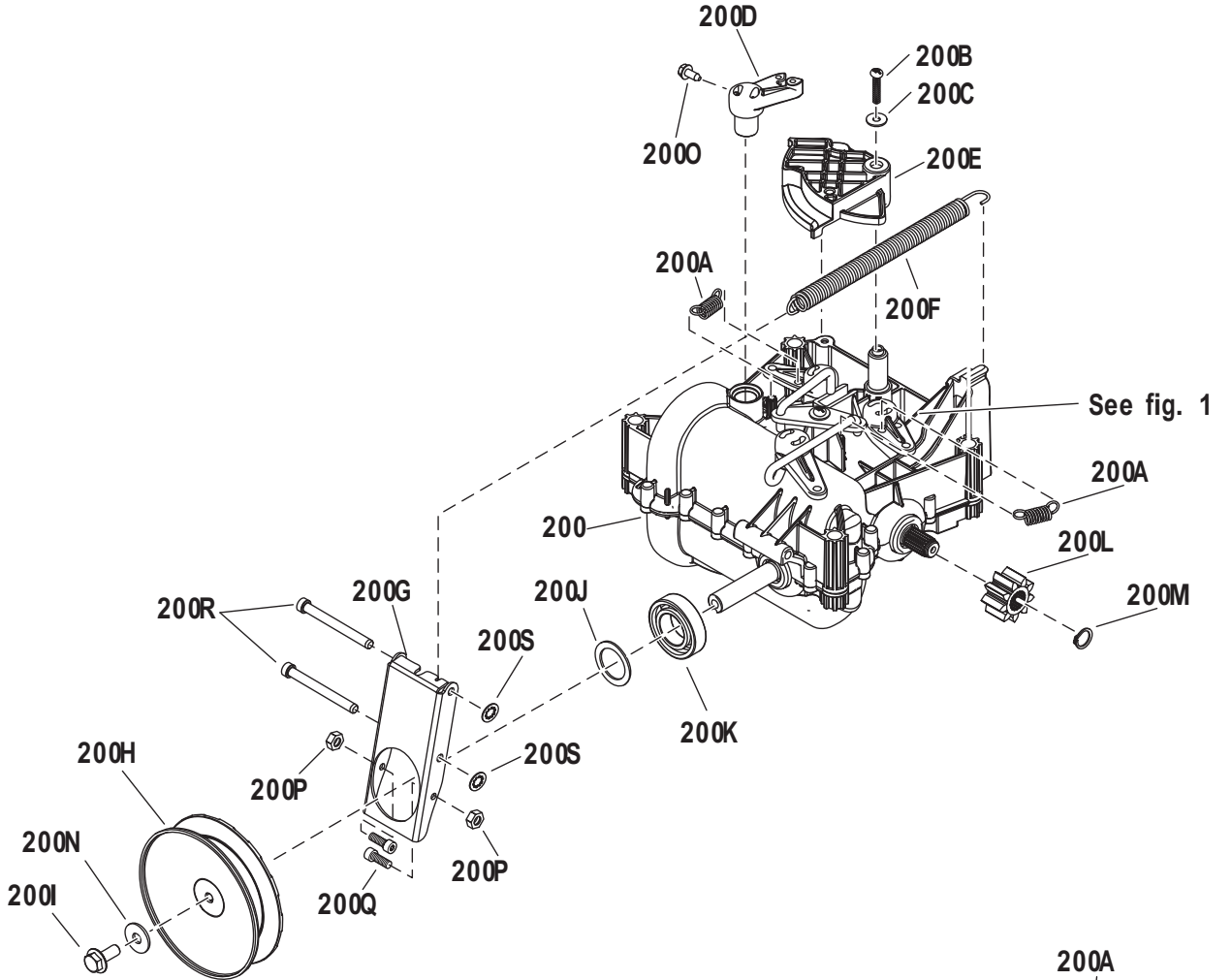
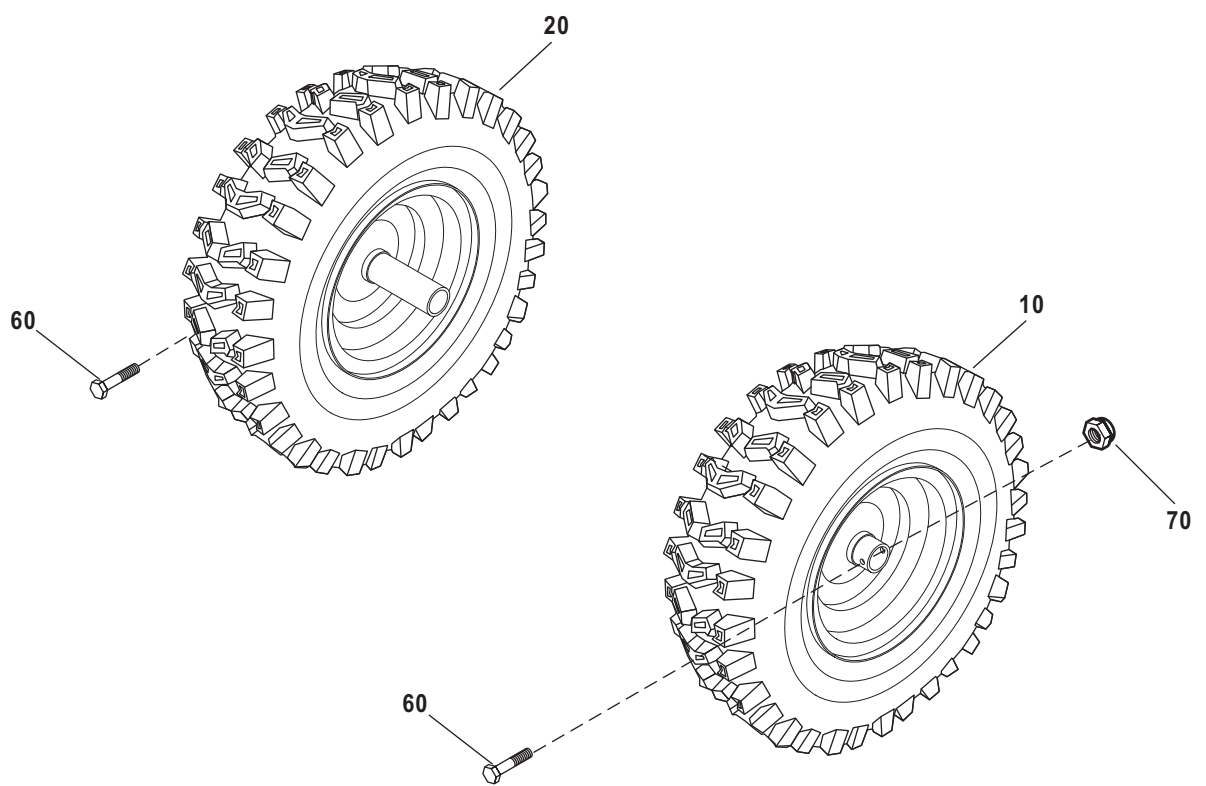


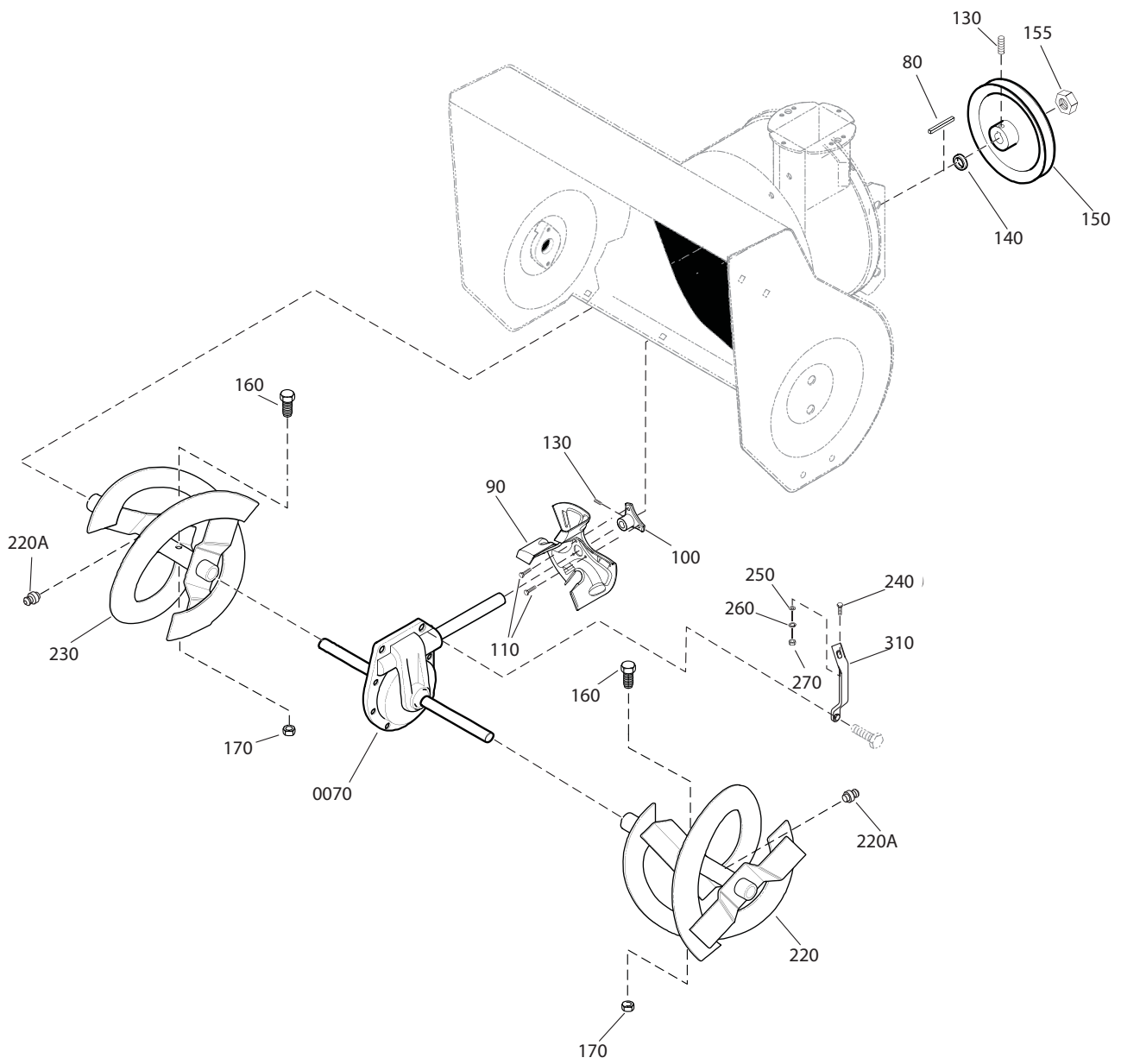
Fig. 1
Top View of Transmission

Utgåva Issue 2013-11		Bildnr Picture No 2777		SNOW FLAKE/POWER TRANSMISSION KPL RESERVDELAR		SNOW FLAKE/POWER TRANSMISSION ASSY SERVICE PARTS		Sida Page 8	
Pos. Fig.	Antal/Quantity			Art nr Part No	Benämning	Description	Sats Kit	Anmärkning Notes	
	2829	2847							
200	1	1		1812-2508-01	Transmission kpl.....	Transmission assy			
200A	2	2		1812-2596-01	Fjäder	Traction spring			
200B	1	1		1812-2595-01	Skruv	Screw			
200C	1	1		1812-2591-01	Bricka	Washer			
200D	1	1		1812-2592-01	Arm	Lever			
200E	1	1		1812-2594-01	Reglagekam	Control cam			
200F	1	1		1812-2590-01	Fjäder	Variator spring			
200G	1	1		1812-2583-01	Arm	Shift arm			
200H	1	1		1812-2582-01	Remskiva	Pulley			
200I	1	1		1812-2580-01	Skruv-vä	Screw-left			
200J	1	1		1812-2588-01	Bricka	Washer			
200K	1	1		1812-2589-01	Kullager	Ball bearing			
200L	2	2		1812-2598-01	Drev	Gear			
200M	2	2		1812-2597-01	Hållare-drev	Retainer			
200N	1	1		1812-2581-01	Bricka	Washer			
200O	4	4		1812-2593-01	Skruv	Screw			
200P	2	2		1812-2584-01	Mutter	Nut			
200Q	2	2		1812-2585-01	Insexbult	Allen bolt			
200R	2	2		1812-2586-01	Sprint	Pin			
200S	4	4		1812-2587-01	Starlockbricka	Starlock washer			



Utgåva Issue 2013-11		Bildnr Picture No 2778		SNOW FLAKE/POWER HJUL		SNOW FLAKE/POWER WHEELS		Sida Page 10	
Pos. Fig.	Antal/Quantity			Art nr Part No	Benämning	Description	Sats Kit	Anmärkning Notes	
	2829	2847							
10	1	1		1812-3077-01	Hjul kpl-vä.....	Wheel & tire assy-LH			
20	1	1		1812-3078-01	Hjul kpl-hö.....	Wheel & tire assy-RH			
60	2	2		1812-1114-01	Bult	Bolt.....			
70	2	2		1812-1760-01	Mutter	Nut.....			

Utgåva Issue 2013-11		Bildnr Picture No 2779		SNOW FLAKE/POWER INMATNINGSHUS		SNOW FLAKE/POWER AUGER HOUSING		Sida Page 12	
Pos. Fig.	Antal/Quantity			Art nr Part No	Benämning	Description	Sats Kit	Anmärkning Notes	
	2829	2847							
x 10	1			1812-3127-01	Inmatningshus.....	Auger housing		29" (74 cm)	
10		1		1812-2721-01	Inmatningshus.....	Auger housing		33" (84 cm)	
20	2	2		1812-2413-01	Klämma	Spring clamp			
30	2	2		1812-2480-01	Skruv.....	Screw.....			
40	2	2		1812-2655-01	Mutter	Nut.....			
60	1	1		1812-2400-01	Borste.....	Cleanout brush			
70	2	2		1812-0347-01	Lager.....	Bearing			
80	4	4		1812-1833-01	Skruv.....	Screw.....			
90	4	4		1812-2487-01	Vagnsbult.....	Carriage bolt.....			
100	4	4		9743-3721-32	Mutter	Nut.....			
110	7	9		9727-3641-22	Mutter	Nut.....			
150	2	2		1812-2918-01	Släpsko	Skid shoe			
160	1			1812-2436-01	Skrapskär	Scraper blade.....		29"	
160		1		1812-2446-01	Skrapskär	Scraper blade.....		33"	
170	1	1		1812-1690-01	Kullagerhållare	Ball bearing retainer.....			
180	1	1		1812-2373-01	Kullager	Ball bearing.....			
190	3	3		9899-3622-16	Skruv.....	Screw.....			
200	2	2		1812-1430-01	Plugg.....	Plug			
210	4	9		1812-2485-01	Vagnsbult.....	Carriage bolt.....			



Utgåva Issue 2013-11		Bildnr Picture No 2780B		SNOW FLAKE/POWER SNÖSKRUV	SNOW FLAKE/POWER AUGER	Sida Page 14		
Pos. Fig.	Antal/Quantity			Art nr Part No	Benämning	Description	Sats Kit	Anmärkning Notes
	2829	2847						
70	1			1812-2759-01	Snäckväxel kpl.....	Gear case assy		29"
70		1		1812-2760-01	Snäckväxel kpl.....	Gear case assy		33"
80	1			1812-3104-01	Kil	Key		
80		1		1812-1609-01	Kil	Key		
90	1	1		1812-2767-01	Fläkt	Impeller		
100	1	1		1812-2553-01	Nav	Hub		
110	3	3		1812-2641-0	Skruv.....	Screw.....		
130	3	3		1812-2640-01	Stoppskruv	Set screw		
140	1	1		1812-1739-01	Distans	Spacer		
150	1	1		1812-1854-01	Remskiva-snöskruv	Auger pulley.....		
155	1	1		1812-3025-01	Låsmutter	Locking nut		
160	2			1812-9005-01	Brytbultsats	Shear bolt kit		Inkl. pos 170-190
160		2		1812-9006-01	Brytbultsats	Shear bolt kit		Inkl. pos 170
170		2		1812-0811-01	Låsmutter	Locking nut		5/16"
170	2			1812-0812-01	Låsmutter	Locking nut		1/4"
190	2			1812-0531-01	Distans	Spacer		
220		1		1812-2903-0	Snöskruv-vä.....	Auger-LH		33"
220	1			1812-2463-01	Snöskruv-vä.....	Auger-LH		29"
220A	2	2		1812-2491-01	Smörjnippel	Grease fitting		
230		1		1812-2904-01	Snöskruv-hö.....	Auger-RH		33"
230	1			1812-2464-01	Snöskruv-hö.....	Auger-RH		29"
240		1		1812-3005-01	Skruv.....	Screw.....		
250		2		1812-3041-01	Bricka	Washer		
260		1		1812-3040-01	Bricka	Washer		
270		1		1812-2825-01	Mutter	Nut		
310		1		1812-2447-01	Fäste.....	Bracket		