

Genuine Spare Parts

www.stiga.com

SNOW BLIZZARD

includes:
18-2830-33 Snow Blizzard

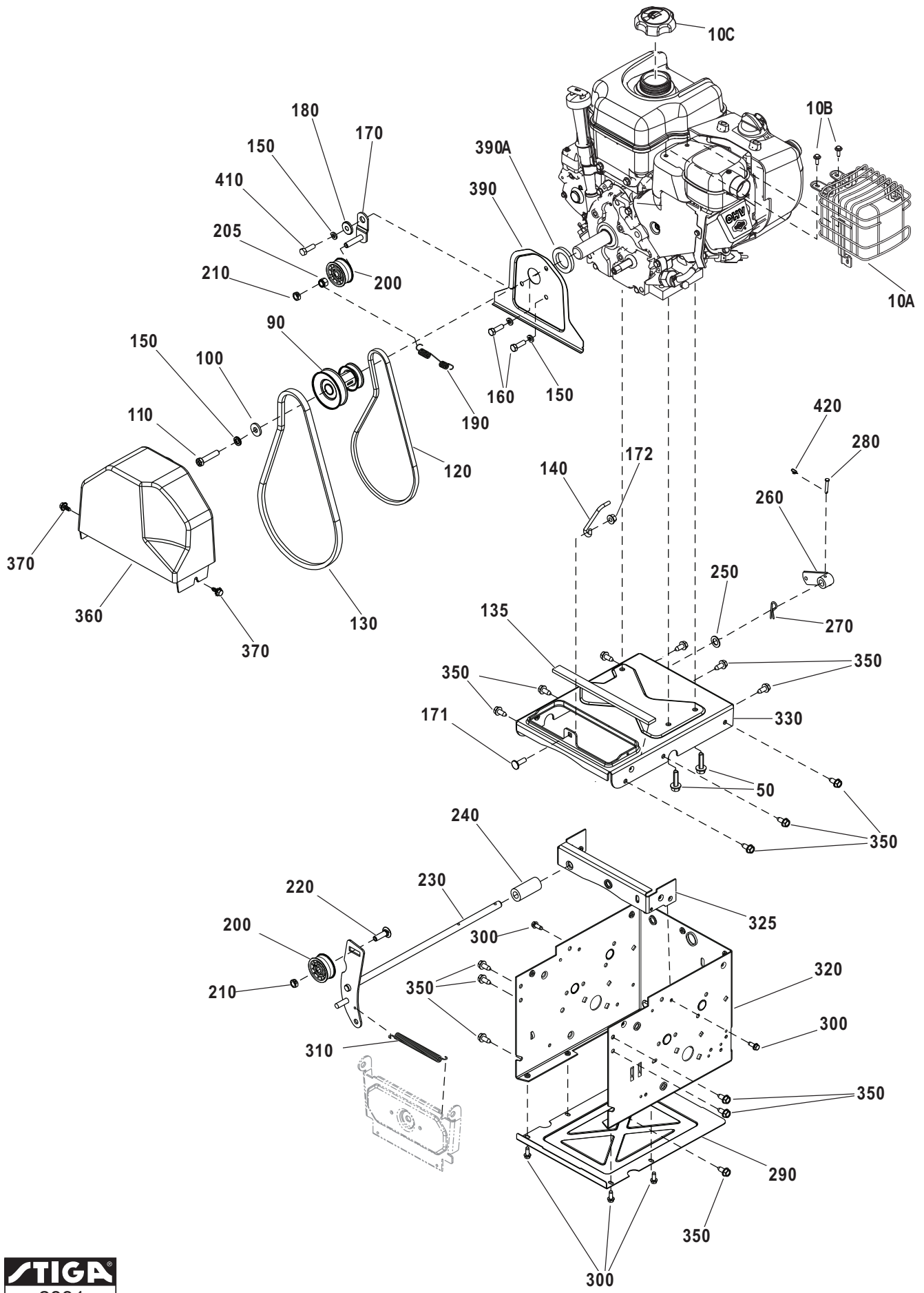
- Use GLOBAL GARDEN PRODUCT Genuine Spare Parts specified in the parts list for repair and/or replacement.
- The contents described in the parts list may change due to improvement.
- The drawings of the spare parts are only indicative and might not represent the part in question exactly.
- The indications "right" - "left" - "front" - "rear" refer to the position of the operator when using the machine.
- When placing orders of parts for repair and/or replacement, make sure that the illustrated parts list is the one applying to the machine's year of manufacture, as shown on the identification plate attached to the machine.

COPYRIGHT by GLOBAL GARDEN PRODUCTS

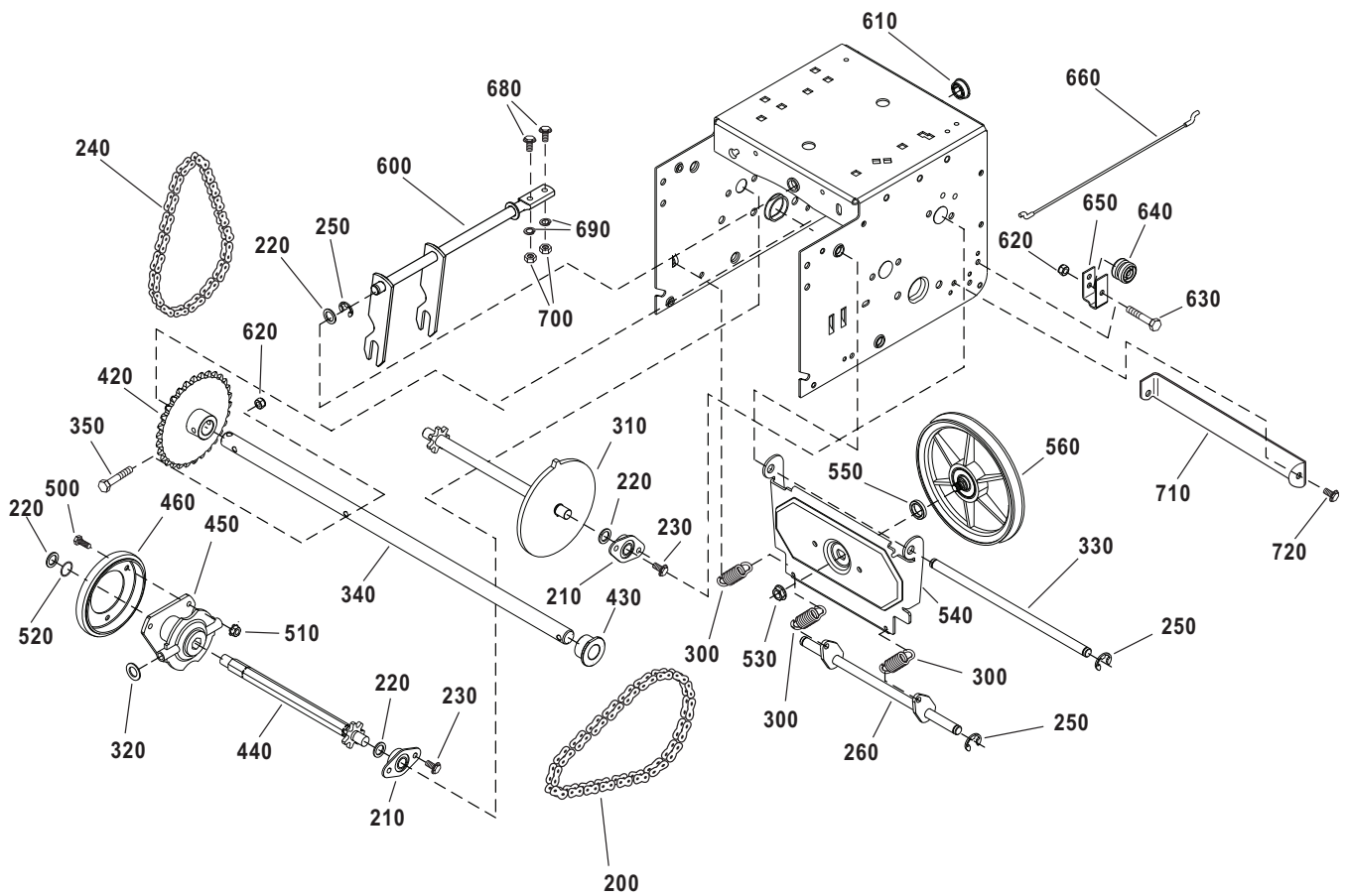
All rights reserved. No part of this material may be reproduced or transmitted, in any form or by any means, electronic or mechanical, including photocopying, recording or by any information storage and retrieval system, without permission in writing from GLOBAL GARDEN PRODUCTS.



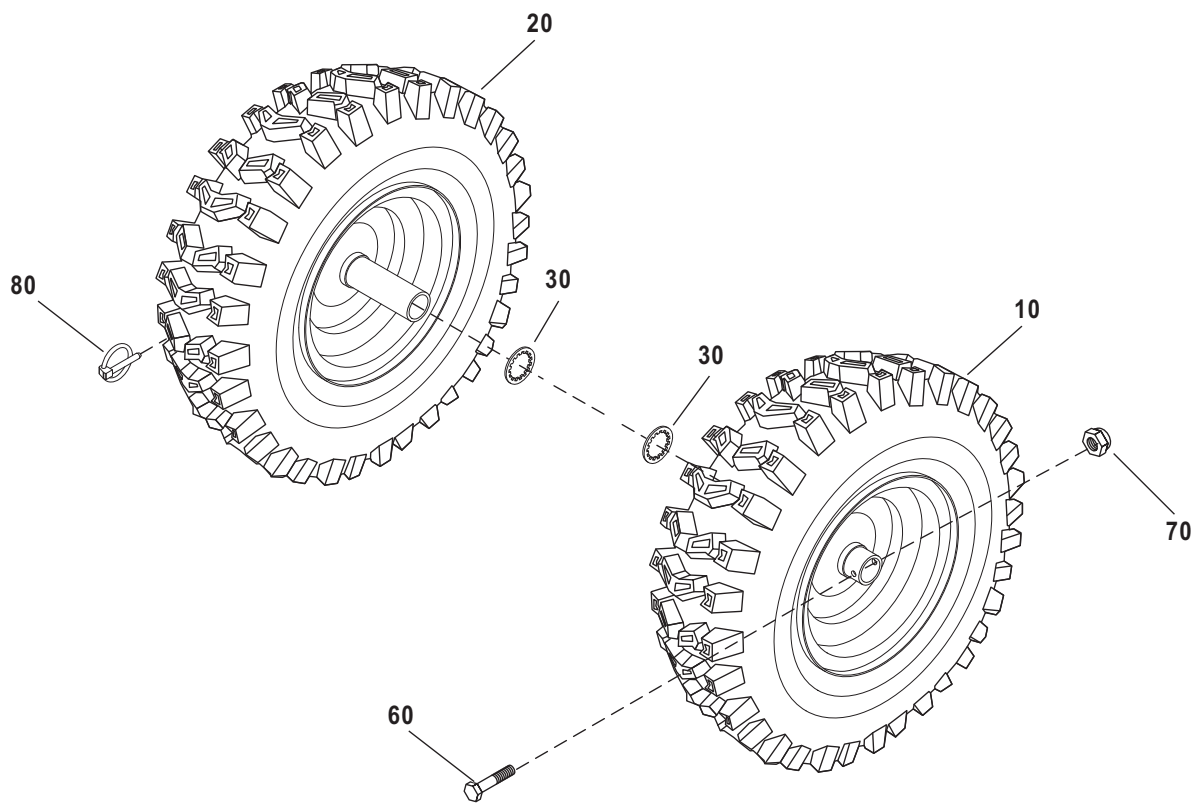
Utgåva Issue 2013-11	Bildnr Picture No 2830A	SNOW BLIZZARD STYRE REGLAGE	SNOW BLIZZARD HANDLE CONTROLS	Sida Page 2					
Pos. Fig.	Antal/Quantity				Art nr Part No	Benämning	Description	Sats Kit	Anmärkning Notes
	2830								
10	1				9988-3751-12	Skruv.....	Screw.....		
20	1				1812-2727-01	Fäste, belysning.....	Bracket, light mount.....		
50	1				1812-3012-01	Fjäder.....	Spring.....		
60	1				9699-0029-02	Planbricka.....	Flat washer.....		
70	1				9743-3721-32	Mutter.....	Nut.....		
80	1				1812-2605-01	Koppl.reglage-vä.....	Clutch lever-LH.....		
100	1				1812-2511-01	Regl.spak-hastighet.....	Speed lever.....		
120	4				9988-3545-12	Skruv.....	Screw.....		
130	1				1812-2417-01	Fäste.....	Controls brkt.....		
140	1				1812-2888-01	Reglagestång.....	Rod, speed control.....		
150	3				9727-3641-22	Mutter.....	Nut.....		
170	2				9794-5131-02	Mutter.....	Nut.....		
180	2				1812-2738-01	Monteringsfäste.....	Bracket, mounting.....		
190	1				1812-2562-01	Kulled.....	Ball joint.....		
200	1				9683-0030-02	Låsbricka.....	Lock washer.....		
230	1				1812-2919-01	Kablage, belysning.....	Wiring harness, light.....		
300	4				9743-3521-32	Mutter.....	Nut.....		
330	1				1812-3091-01	Panel.....	Cover, panel.....		
340	2				1812-2257-01	Skruv.....	Screw.....		
360	2				1812-3072-01	Ansatsbult.....	Shoulder bolt.....		
370	3				9899-3625-16	Skruv.....	Screw.....		
390	1				1812-2575-01	Panelfäste.....	Dash support.....		
400	1				1812-2542-01	Reglagewire-snöskruv.....	Drive cable-auger.....		
410	1				1812-2606-01	Koppl.reglage-hö.....	Clutch lever-RH.....		
420	2				1812-2256-01	Mutter.....	Nut.....		
430	2				1812-2351-01	Handtag.....	Hand grip.....		
440	2				1812-2412-01	Distans.....	Stepped spacer.....		
450	2				1812-2148-01	Distans.....	Spacer.....		
470	1				1812-2890-01	Styre överdel-hö.....	Handle upper-RH.....		
480	1				1812-2889-01	Styre överdel-vä.....	Handle upper-LH.....		
490	2				1812-2479-01	Vagnsbult.....	Carriage bolt.....		
500	1				1812-2519-01	Styre-undre.....	Handle-lower.....		
510	4				9743-3621-32	Mutter.....	Nut.....		
520	1				1812-2726-01	Strålkastare kpl.....	Headlight assy.....		
520C	1				1812-2724-01	Lamphållare & packn.....	Socket & gasket.....		
520D	1				1812-1245-01	Glödlampa.....	Light bulb.....		
530	2				9899-3625-16	Skruv.....	Screw.....		
540	1				1133-0977-01	Wirefäste.....	Cable adjust bracket.....		
550	1				1133-0968-01	Wirehylsa.....	Clutch spring boot.....		
560	1				1812-2126-01	Reglagewire.....	Drive cable.....		
590	1				1812-2231-01	Fäste.....	Bracket.....		
600	3				1812-2206-01	Distans.....	Spacer.....		
610	1				1812-2718-01	Stag+fjäder.....	Rod and spring assy.....		
630	1				1812-2268-01	Tryckfjäder.....	Spring.....		
640	1				1812-2985-01	Bricka.....	Washer.....		
650	1				1812-2404-01	Stag.....	Rod.....		
670	5				1812-2275-01	Buntband.....	Cable tie.....		
680	1				1812-2379-01	Knopp.....	Knob.....		
700	2				9699-0026-02	Planbricka.....	Flat washer.....		
710	2				1812-3007-01	Skruv.....	Screw.....		
750	1				1812-2481-01	Skruv.....	Screw.....		
760	1				1812-2256-01	Mutter.....	Nut.....		
790	2				1812-2476-01	Bult.....	Bolt.....		
880	2				1812-2765-01	Skruv.....	Screw.....		
900	4				9795-3631-02	Mutter.....	Nut.....		
1000	1				1812-2753-01	Plugg.....	Plug.....		
9999	1					Bruksanvisning.....	Owner's manual.....		Ej ill/not ill. As PDF



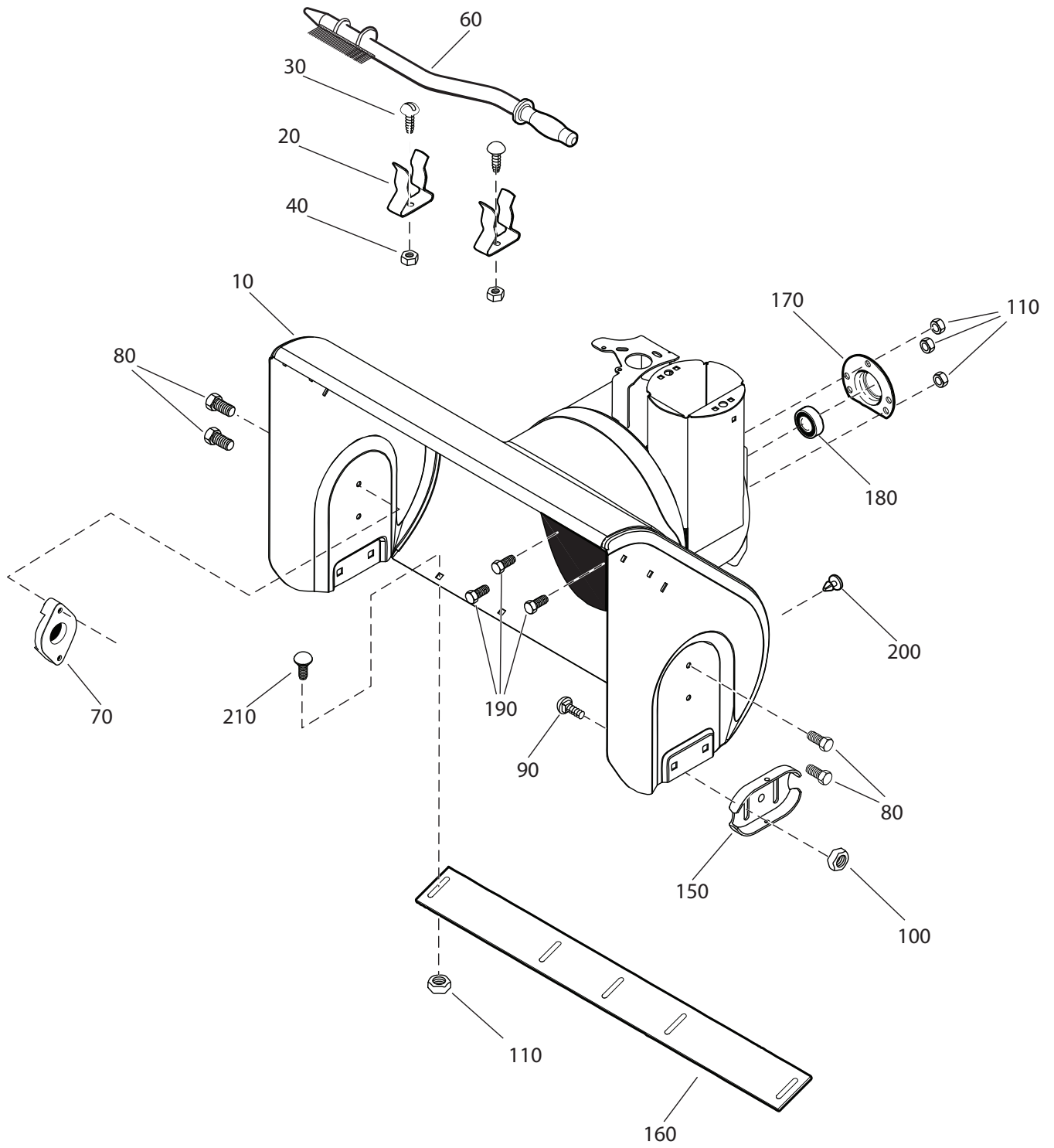
Utgåva Issue	Bildnr Picture No	SNOW BLIZZARD RAM MOTOR		SNOW BLIZZARD FRAME ENGINE		Sida Page			
2013-11	2831					4			
Pos. Fig.	Antal/Quantity				Art nr Part No	Benämning	Description	Sats Kit	Anmärkning Notes
	2830								
10A	1			797003	Ljuddämparskydd	Muffler guard			B&S-part
10B	3			699234	Skruv	Screw			B&S-part
10C	1			795027	Tanklock	Fuel cap			B&S-part
50	4			9955-3732-12	Skruv	Screw			
90	1			1812-2739-01	Remskiva	Pulley			
100	3			1812-2248-01	Bricka	Washer			
110	1			9987-5145-12	Skruv	Screw			
120	1			1812-2220-01	Kilrem-drivning	Belt-traction drive			
130	1			1812-9020-01	Drivrem	Drive belt			
135	1			1812-2744-01	Tätninglist	Seal strip			
140	1			1812-2532-01	Remstyrning	Belt stop			
150	4			9683-0030-02	Låsbricka	Lock washer			
160	2			9987-5119-16	Skruv	Screw			
170	1			1812-2742-01	Spännarm	Bracket, idler			
171	1			9899-3625-16	Skruv	Screw			
172	1			9795-3631-02	Mutter	Nut			
180	1			1812-1705-01	Bussning	Bushing			
190	1			1812-2489-01	Fjäder	Ext.idler spring			
200	2			1812-2077-01	Spännrulle	Tension roller			
205	1			9743-3721-32	Mutter	Nut			
210	2			9743-3721-32	Mutter	Nut			
220	1			9899-3732-16	Skruv	Screw			
230	1			1812-2740-01	Spännarm	Idler, auger			
240	1			1812-2743-01	Distans	Spacer, auger brkt			
250	1			9699-0038-02	Planbricka	Flat washer			
260	1			1812-2884-01	Reglagearm	Control arm			
270	1			1812-2813-01	Låsnål	Hair pin			
280	1			1812-2407-01	Sprint	Clevis pin			
290	1			1812-2516-01	Bottenplåt	Bottom panel			
300	6			1812-2250-01	Skruv	Screw			
310	1			1812-1676-01	Fjäder	Tension spring			
320	1			1812-2733-01	Ram	Frame, box			
325	1			1812-2732-01	Fäste	Bracket			
330	1			1812-3076-01	Motorplatta	Plate, engine mount			
350	19			1812-2141-01	Skruv	Screw			
360	1			1812-2622-01	Remskydd	Belt cover			
370	2			1812-2748-01	Skruv	Screw			
390	1			1812-2504-01	Regnskydd	Water shield			
390A	1			1812-2505-01	Tätning	Foam seal			
410	1			9987-5125-16	Skruv	Screw			
420	1			1812-2281-01	Låsnål	Cotter pin			



Utgåva Issue 2013-11		Bildnr Picture No 2712A		SNOW BLIZZARD DRIVNING		SNOW BLIZZARD TRACTION DRIVE		Sida Page 6	
Pos. Fig.	Antal/Quantity				Art nr Part No	Benämning	Description	Sats Kit	Anmärkning Notes
	2830								
200	1				1812-1686-01	Kedja.....	Chain.....		
210	4				1812-1178-01	Glidlager m.hållare.....	Bearing & retainer.....		
220	5				1812-1204-01	Bricka.....	Washer.....		
230	8				1812-2249-01	Skruv.....	Screw.....		
240	1				1812-1688-01	Kedja.....	Chain.....		
250	5				1812-1672-01	Låsring.....	Retainer ring.....		
260	1				1812-2076-01	Fjäderlänkarm.....	Spring link.....		
300	3				1812-2410-01	Fjäder.....	Extension spring.....		
310	1				1812-1751-01	Mellanaxel m.drev.....	Intermed. sprocket.....		
320	2				9699-0038-02	Planbricka.....	Flat washer.....		
330	1				1812-2820-01	Axel-svängplatta.....	Axle-swing plate.....		
340	1				1812-1863-01	Hjulaxel.....	Axle shaft.....		
350	1				9988-3545-12	Skruv.....	Screw.....		
420	1				1812-1712-01	Kedjedrev.....	Sprocket.....		
430	2				1812-1724-01	Lager.....	Axle bearing.....		
440	1				1812-1750-01	Sexkantsaxel.....	Hex shaft.....		
450	1				1812-2734-01	Nav, friktionshjul.....	Hub, friction wheel.....		
460	1				1812-9028-01	Friktionshjul.....	Friction disc wheel.....		
500	3				9988-3516-16	Skruv.....	Screw.....		
510	3				9795-3531-02	Mutter.....	Nut.....		
520	1				1812-2380-01	Låsring.....	Retext ring.....		
530	1				1812-2824-01	Flänslåsmutter.....	Flange lock nut.....		
540	1				1812-2819-01	Svängplatta.....	Swing plate.....		
550	1				1812-1739-01	Distans.....	Spacer.....		
560	1				1812-1725-01	Friktionsremskiva.....	Friction pulley.....		
600	1				1812-2821-01	Växelarm.....	Yoke rod.....		
610	1				1812-1219-01	Plastbussning.....	Plastic bushing.....		
620	2				9743-3521-32	Mutter.....	Nut.....		
630	1				9988-3538-12	Skruv.....	Screw.....		
640	1				1812-1205-01	Spole.....	Spool.....		
650	1				1812-2745-01	Fäste, wirerulle.....	Bracket, cable spool.....		
660	1				1812-2746-01	Wire.....	Cable.....		
680	2				9988-3516-16	Skruv.....	Screw.....		
690	2				9683-0025-02	Låsbricka.....	Lock washer.....		
700	2				9743-3521-32	Mutter.....	Nut.....		
710	1				1812-2823-01	Stödstag.....	Support bracket.....		
720	2				1812-2250-01	Skruv.....	Screw.....		

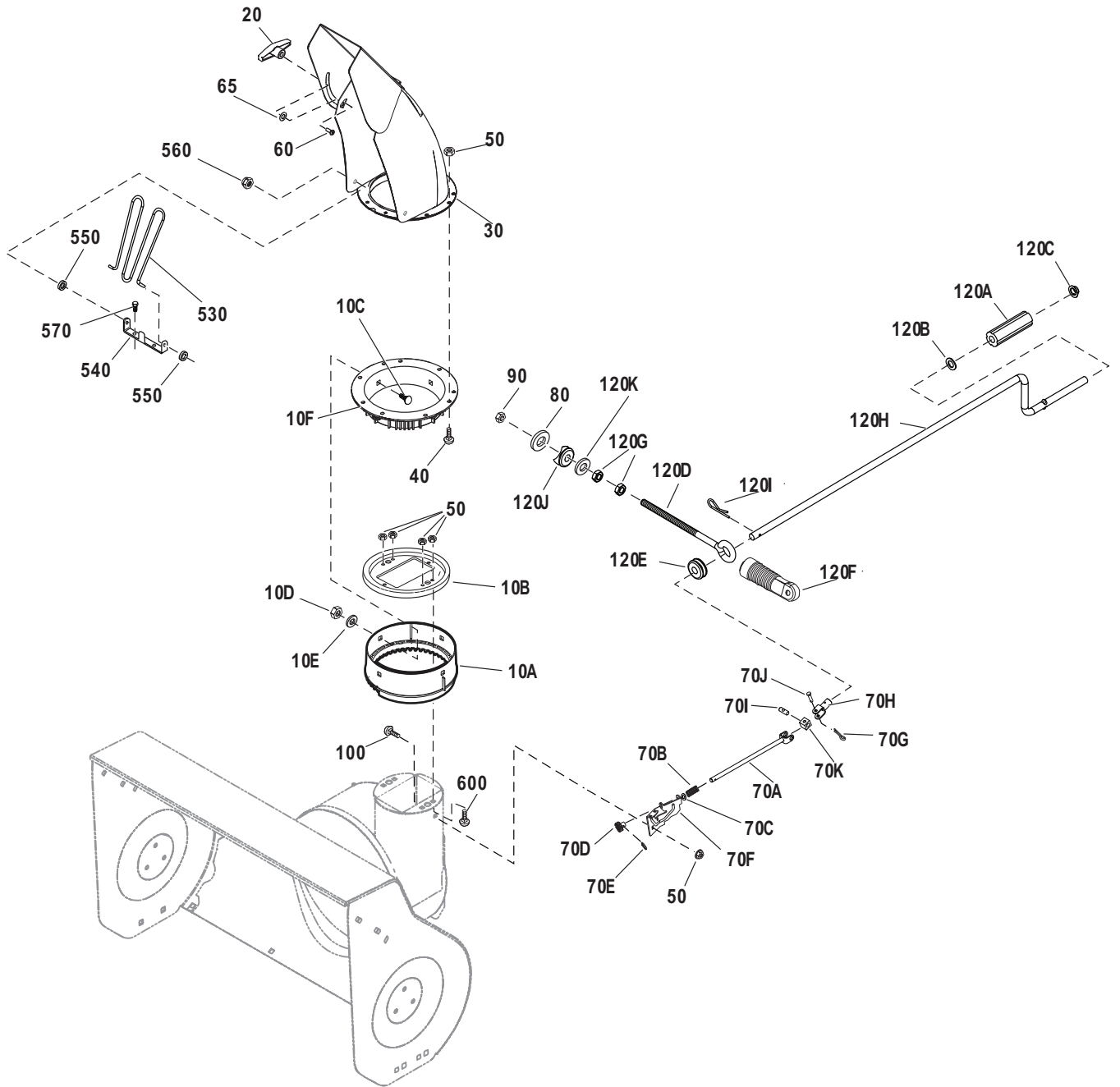


Utgåva Issue 2013-11		Bildnr Picture No 2713B		SNOW BLIZZARD HJUL		SNOW BLIZZARD WHEEL		Sida Page 8	
Pos. Fig.	Antal/Quantity				Art nr Part No	Benämning	Description	Sats Kit	Anmärkning Notes
	2830								
10	1				1812-3077-01	Hjul kpl-vä.....	Wheel & tire assy-LH.....		
20	1				1812-3078-01	Hjul kpl-hö.....	Wheel & tire assy-RH.....		
30	2				1812-2139-01	Låsring.....	Retaining ring.....		
60	1				1812-1114-01	Bult.....	Bolt.....		
70	1				1812-2826-01	Mutter.....	Nut.....		
80	1				1812-0408-01	Låssprint.....	Clik pin.....		

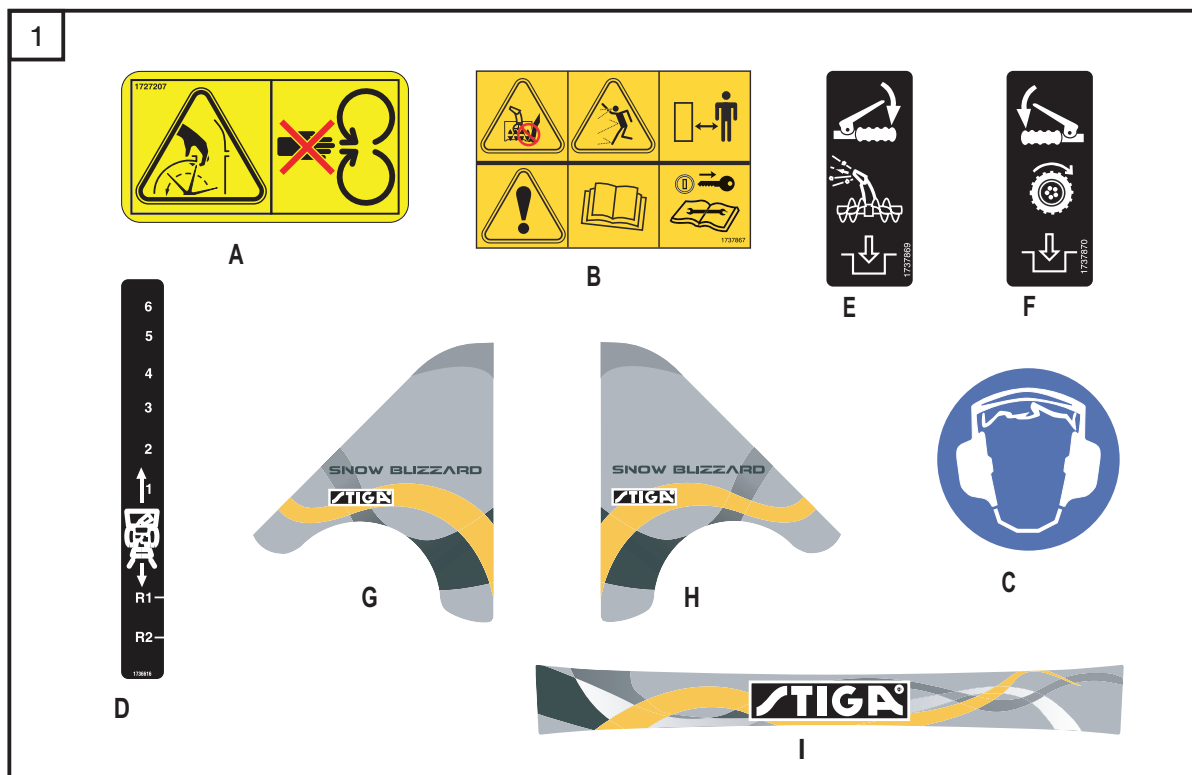
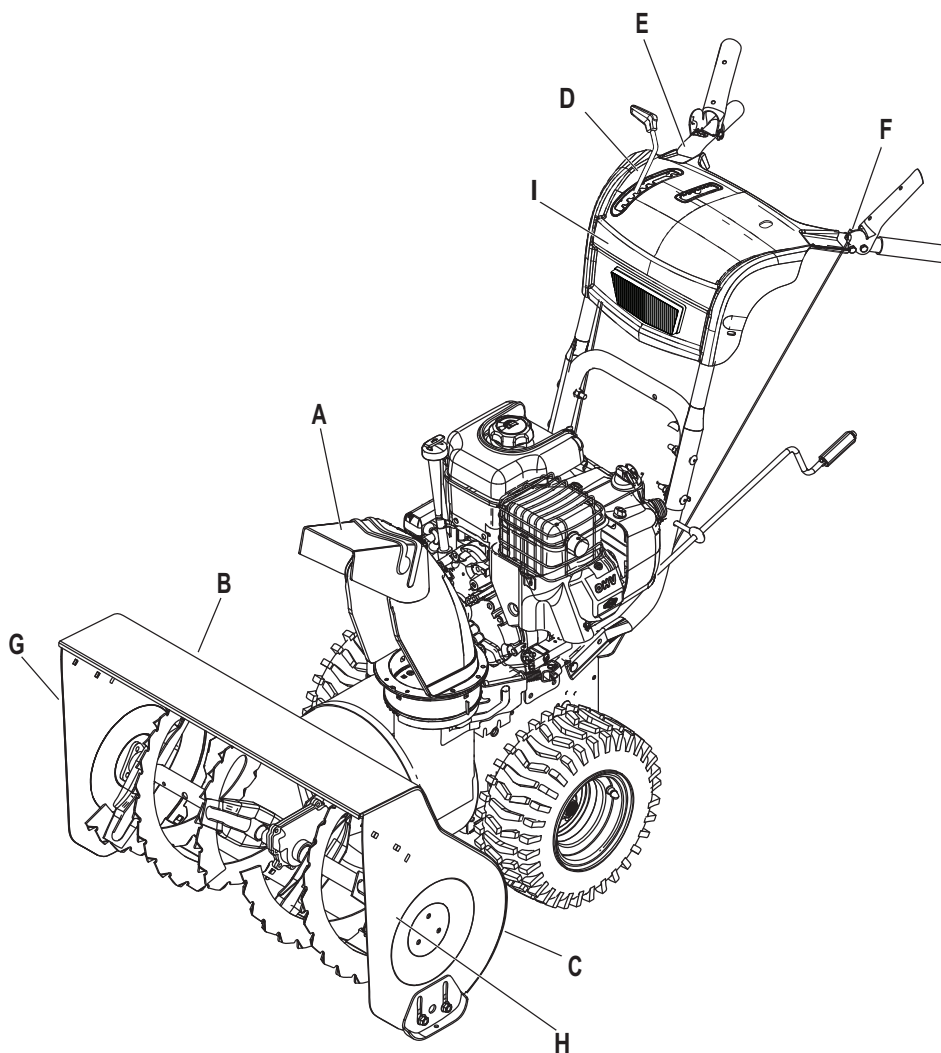


Utgåva Issue 2013-11		Bildnr Picture No 2714B		SNOW BLIZZARD INMATNINGSHUS		SNOW BLIZZARD AUGER HOUSING		Sida Page 10	
Pos. Fig.	Antal/Quantity				Art nr Part No	Benämning	Description	Sats Kit	Anmärkning Notes
	2830								
x 10	1				1812-3123-01	Inmatninghus	Auger housing		27" (69 cm)
20	2				1812-2413-01	Klämma	Spring clamp		
30	2				1812-2480-01	Skruv	Screw		
40	2				1812-1912-01	Mutter	Nut		
60	1				1812-2400-01	Borste	Cleanout brush		
70	2				1812-0878-01	Lager	Bearing		
80	6				9988-3619-16	Skruv	Screw		
90	4				1812-2487-01	Vagnsbult	Carriage bolt		
100	4				9743-3721-32	Mutter	Nut		
110	13				9727-3641-22	Mutter	Nut		
150	2				1812-2466-01	Släpsko	Skid shoe		
160	1				1812-2470-01	Skrapskär	Scraper blade		
170	1				1812-1690-01	Kullagerhållare	Ball bearing retainer		
180	1				1812-2373-01	Kullager	Ball bearing		
190	3				9899-3622-16	Skruv	Screw		
200	2				1812-1430-01	Plugg	Plug		
210	4				1812-2485-01	Vagnsbult	Carriage bolt		

Utgåva Issue 2013-11		Bildnr Picture No 2715B		SNOW BLIZZARD SNÖSKRUV		SNOW BLIZZARD AUGER DRIVE		Sida Page 12	
Pos. Fig.	Antal/Quantity				Art nr Part No	Benämning	Description	Sats Kit	Anmärkning Notes
	2830								
X 70	1				1812-2937-01	Snäckväxel kpl.....	Gear case assy		
80	1				1812-1609-01	Kil	Key		
90	1				1812-2554-01	Impeller.....	Impeller		
100	1				1812-2553-01	Nav, impeller	Hub, impeller		
110	3				1812-2641-01	Skruv.....	Screw.....		
130	3				1812-3124-01	Skruv.....	Screw.....		
150	1				1812-1854-01	Remskiva	Pulley		
160	1				1812-9005-01	Brytbultsats	Shear bolt kit		
170	2				1812-0812-01	Mutter	Nut.....		
190	2				1812-1739-01	Distans	Spacer.....		
220	1				1812-2916-01	Snöskruv-vä	Auger-LH		
220A	2				1812-2491-01	Smörjnippel	Grease fitting.....		
230	1				1812-2917-01	Snöskruv-hö.....	Auger-RH.....		
240	1				1812-1739-01	Distans	Spacer.....		



Utgåva Issue 2013-11		Bildnr Picture No 2717B		SNOW BLIZZARD UTKAST		SNOW BLIZZARD DISCHARGE CHUTE		Sida Page 14	
Pos. Fig.	Antal/Quantity				Art nr Part No	Benämning	Description	Sats Kit	Anmärkning Notes
	2830								
X	10A	1			1812-1787-01	Utkastring-yttre.....	Retainer ring-outer.....		
	10B	1			1812-1983-01	Utkastplatta.....	Chute rotate collar.....		
	10C	4			9899-3625-16	Skruv.....	Screw.....		
	10D	4			9743-3621-32	Mutter.....	Nut.....		
	10E	4			9699-0029-02	Planbricka.....	Flat washer.....		
	10F	1			1812-2472-01	Ring-inre.....	Chute ring-inner.....		
	20	1			1812-1928-01	Låsrott.....	Wing knob.....		
	30	1			1812-3125-01	Utkast.....	Chute assy.....		
	40	4			1812-2477-01	Skruv.....	Cap screw.....		
	50	9			9743-3521-32	Mutter.....	Nut.....		
	60	1			1812-1678-01	Vagnsbult.....	Carriage bolt.....		
	65	1			1812-2278-01	Nylonbricka.....	Nylon washer.....		
	70	1			1812-2367-01	Inställn.vev-undre.....	Gear/yoke rod-lower.....		Inkl. pos 70A-70K
	70A	1			1812-1826-01	Gaffelstång.....	Yoke and rod.....		
	70B	1			1812-1761-01	Fjäder.....	Spring.....		
	70C	1			1812-2814-01	Bricka.....	Washer.....		
	70D	1			1812-1706-01	Drev.....	Gear.....		
	70E	1			1812-1791-01	Låsnål.....	Hair pin.....		
	70F	1			1812-2915	Fäste.....	Support.....		
	70G	1			9599-0033-00	Saxsprint.....	Split pin.....		
	70H	1			1812-1708-01	Gaffel.....	Yoke adapter.....		
	70I	1			1812-1316-01	Axel.....	Universal pin.....		
	70J	1			1812-1318-01	Sprint.....	Clevis pin.....		
	70K	1			1812-1317-01	Ledknut.....	Universal pivot block.....		
	80	1			9699-0035-02	Planbricka.....	Flat washer.....		
	90	1			9743-3721-32	Mutter.....	Nut.....		
	100	1			1812-1831-01	Skruv.....	Screw.....		
	120	1			1812-2457-01	Inställn.vev-övre kpl.....	Rod-upper assy.....		Inkl. pos 120A-120K
	120A	1			1812-1168-01	Handtag.....	Handle.....		
	120B	2			1812-1171-01	Bricka.....	Washer.....		
	120C	1			1812-1483-01	Låsning.....	Retainer.....		
	120D	1			1812-1821-01	Öglebult.....	Eye bolt.....		
	120E	1			1812-0203-01	Hylsa.....	Grommet.....		
	120F	1			1812-1822-01	Hylsa-öglebult.....	Boot-eye bolt.....		
	120G	2			9743-3721-32	Mutter.....	Nut.....		
	120H	1			1812-1707-01	Inställningsvev.....	Chute crank.....		
	120I	1			1812-2813-01	Låsnål.....	Hair pin.....		
	120J	2			1812-1172-01	Adapter.....	Boot adaptor.....		
	120K	1			9699-0035-02	Bricka.....	Flat washer.....		
	530	1			1812-2381-01	Utkastskydd.....	Chute guard.....		
	540	1			1812-2416-01	Fäste.....	Chute guard brkt.....		
	550	2			1812-2426-01	Hylsa.....	Grommet.....		
	560	2			1812-2478-01	Snabbmutter.....	Push nut.....		
	570	2			1812-2473-01	Skruv.....	Screw.....		
	600	4			1812-2477-01	Skruv.....	Cap screw.....		





Utgåva Issue 2013-11		Bildnr Picture No 2832		SNOW BLIZZARD DEKALER		SNOW BLIZZARD LABELS		Sida Page 16	
Pos. Fig.	Antal/Quantity				Art nr Part No	Benämning	Description	Sats Kit	Anmärkning Notes
	2830								
1	1				1812-2701-01	Dekalsats.....	Label kit		Inkl. A-I