

Genuine Spare Parts

www.stiga.com

1371 PRO/1581 PRO

includes:

18-2851-33 1371 PRO

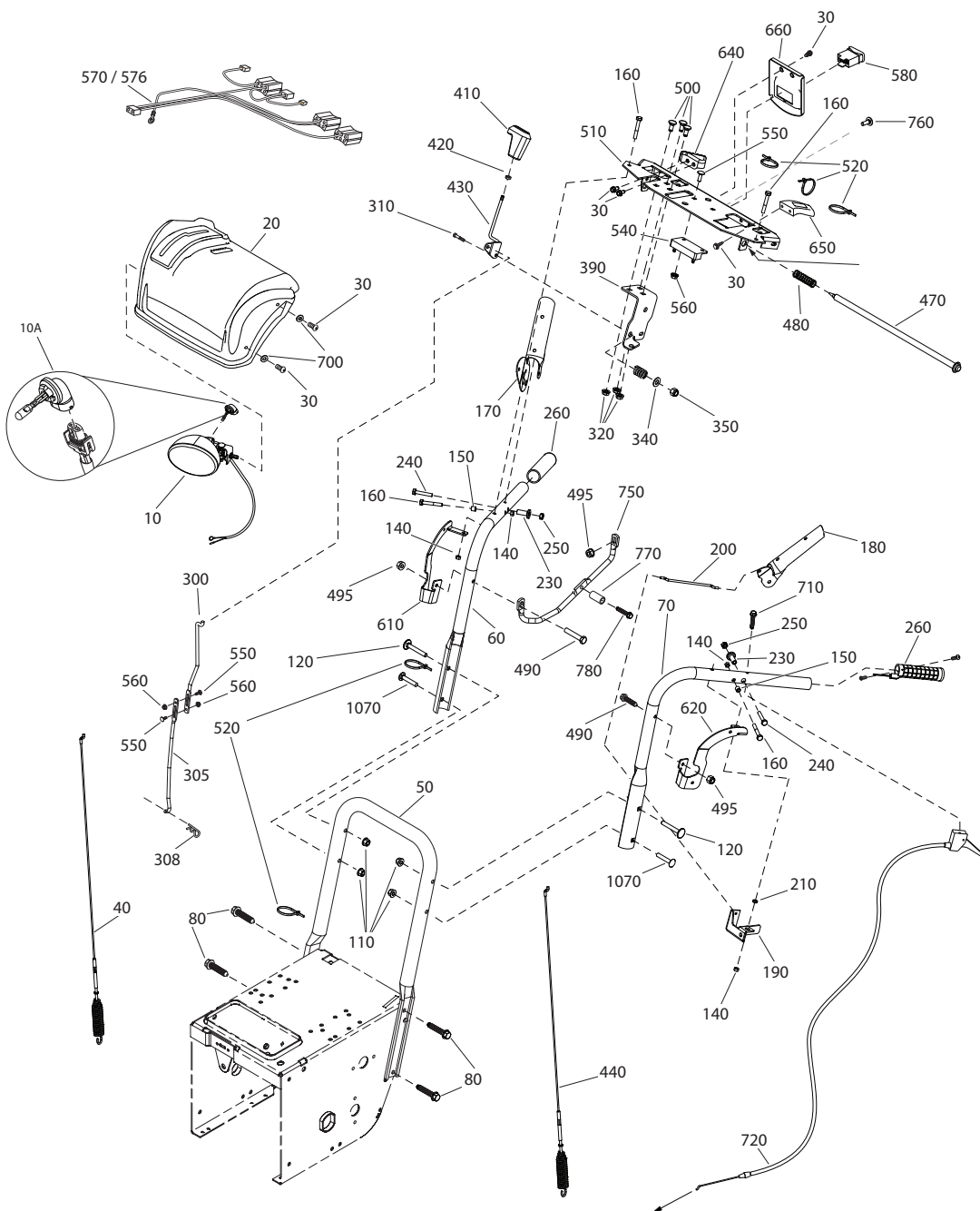
18-2852-33 1581 PRO

- Use GLOBAL GARDEN PRODUCT Genuine Spare Parts specified in the parts list for repair and/or replacement.
- The contents described in the parts list may change due to improvement.
- The drawings of the spare parts are only indicative and might not represent the part in question exactly.
- The indications "right" - "left" - "front" - "rear" refer to the position of the operator when using the machine.
- When placing orders of parts for repair and/or replacement, make sure that the illustrated parts list is the one applying to the machine's year of manufacture, as shown on the identification plate attached to the machine.

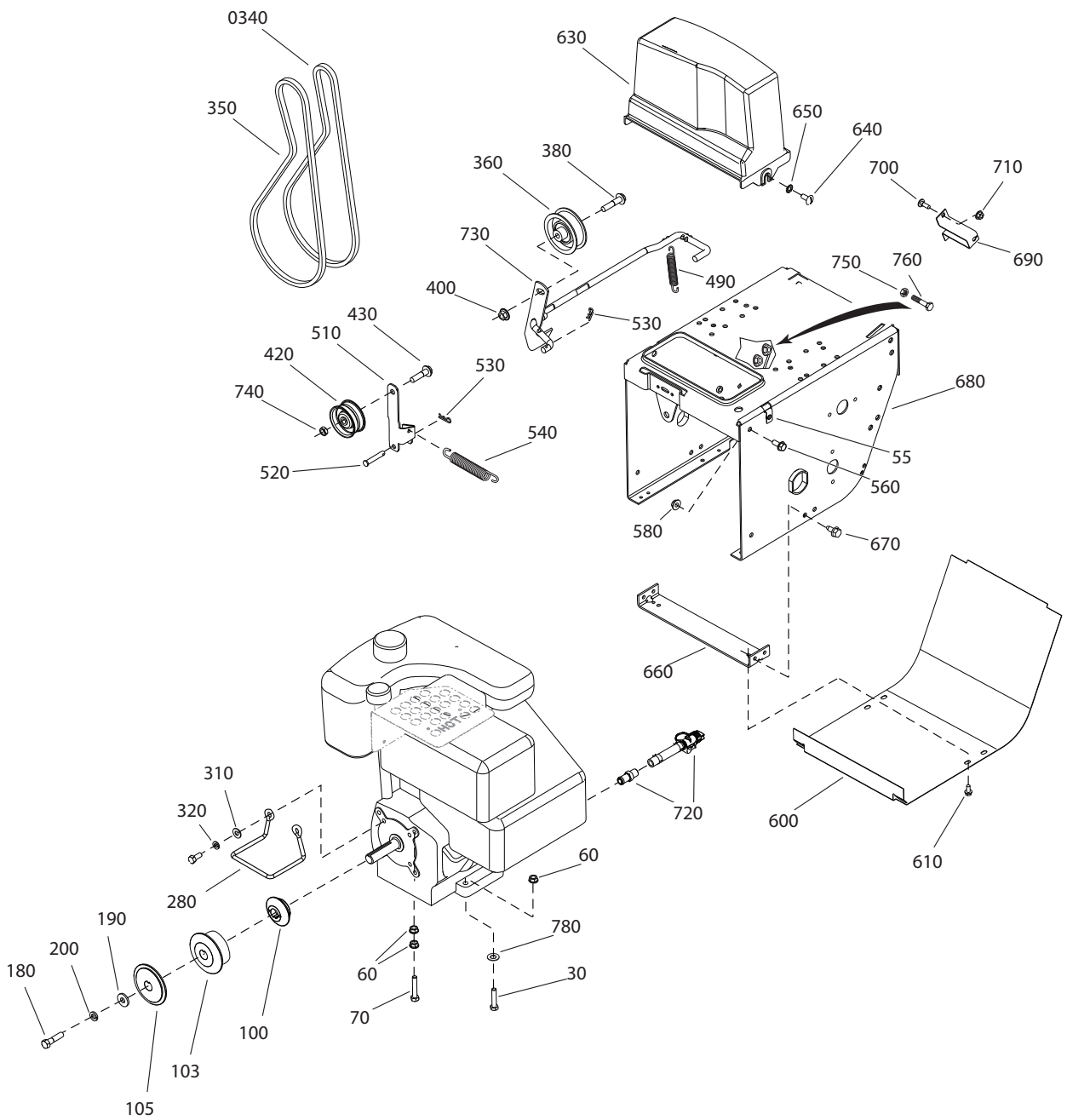
COPYRIGHT by GLOBAL GARDEN PRODUCTS

All rights reserved. No part of this material may be reproduced or transmitted, in any form or by any means, electronic or mechanical, including photocopying, recording or by any information storage and retrieval system, without permission in writing from GLOBAL GARDEN PRODUCTS.

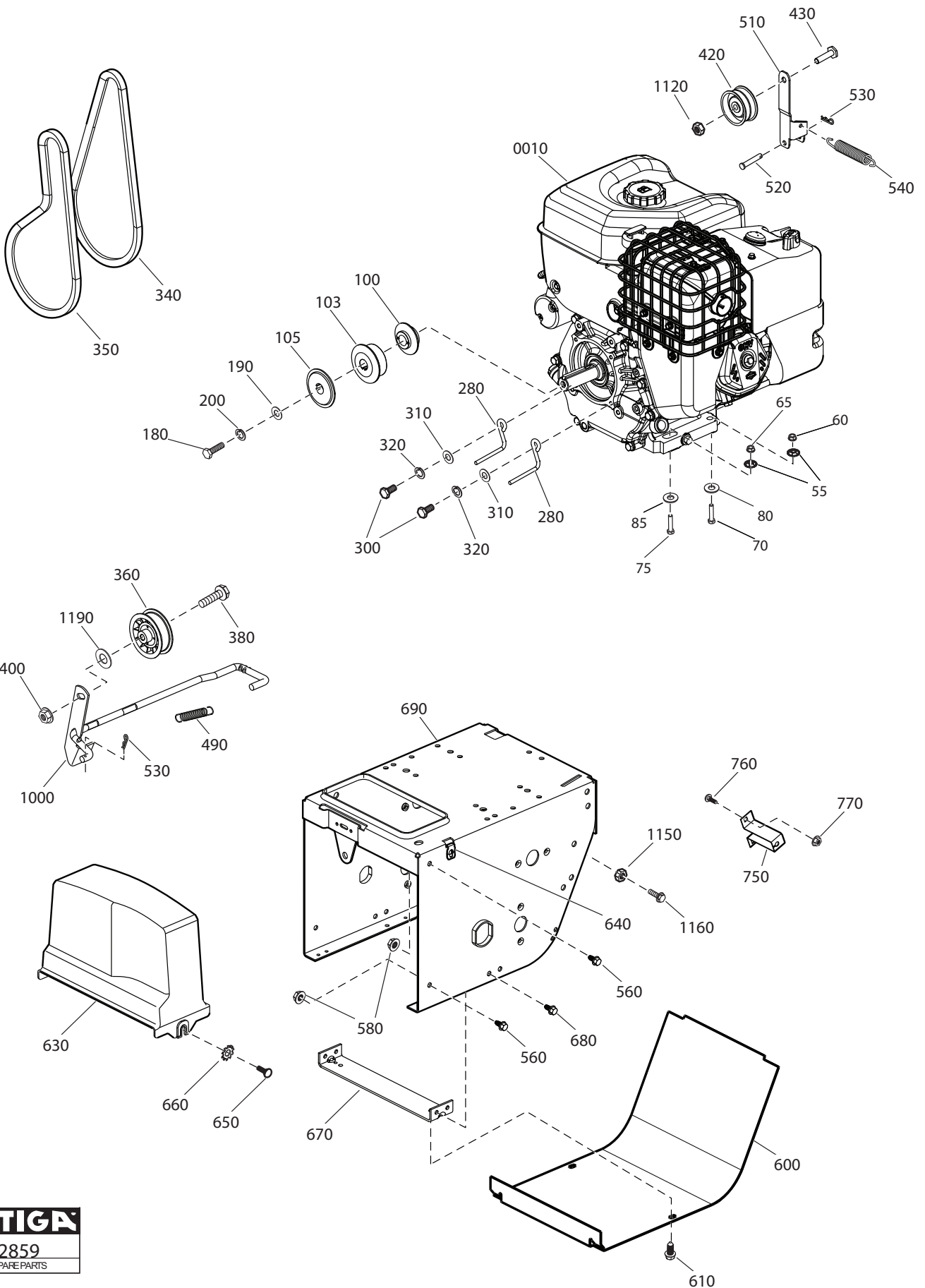




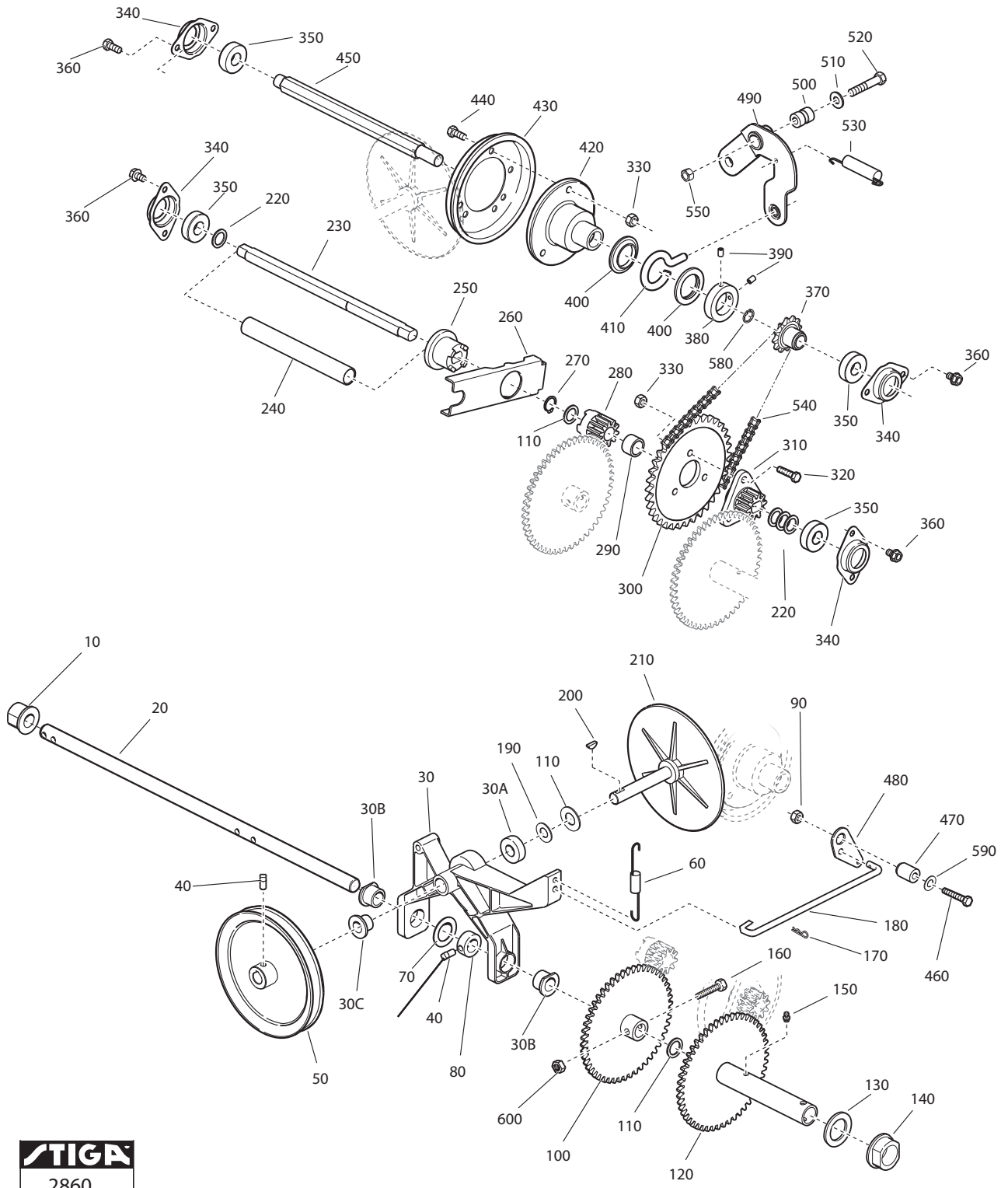
Utgåva Issue 2013-11	Bildnr Picture No 2735C	1371 PRO - 1581 PRO STYRE REGLAGE	1371 PRO - 1581 PRO HANDLE CONTROLS	Sida Page 2					
Pos. Fig.	Antal/Quantity			Art nr Part No	Benämning	Description	Sats Kit	Anmärkning Notes	
	2851	2852							
10	1	1		1812-2548-01	Strålkastare kpl	Headlight assy		12V, 27W	
10A	1	1		1812-1909-01	Halogenlampa	Halogene bulb			
20	1	1		1812-3105-01	Panel	Panel cover			
30	6	6		1812-2644-01	Skruv	Screw			
40	1	1		1812-3106-01	Reglagewire-snöskruv	Auger drive cable			
50	1	1		1812-3107-01	Styre-underdel	Handle-lower			
60	1	1		1812-2540-01	Styre överdel-hö	Handle upper-RH			
70	1	1		1812-2889-01	Styre överdel-vä	Handle upper-LH			
80	2	2		9988-3625-16	Skruv	Screw			
110	2	2		9743-3621-22	Mutter	Nut			
120	2	2		1812-2479-01	Vagnsbult	Carriage bolt			
140	5	5		9743-3521-32	Mutter	Nut			
150	2	2		1812-2148-01	Distans	Spacer			
160	4	4		9988-3545-12	Skruv	Screw			
170	1	1		1812-2606-01	Koppl.reglage-hö	Clutch lever-RH			
180	1	1		1812-2605-01	Koppl.reglage-vä	Clutch lever-LH			
190	1	1		1812-2885-01	Fäste	Bracket			
200	1	1		1812-2404-01	Stång	Hold down rod			
210	1	1		1812-2206-01	Distans	Spacer			
230	2	2		1812-2412-01	Distans	Stepped spacer			
240	2	2		1812-3072-01	Ansatsbult	Shoulder bolt			
250	2	2		1812-2256-01	Mutter	Nut			
260	2	2		1812-2549-01	Värmehandtag	Heated hand grip			
300	1	1		1812-3108-01	Reglagestång	Control rod			
305	1	1		1812-3109-01	Reglagestång	Control rod			
308	1	1		1812-2490-01	Hårnålssprint	Hairpin			
310	1	1		1812-2964-01	Skruv	Screw			
320	3	3		9727-3641-22	Mutter	Nut			
330	1	1		1812-3012-01	Fjäder	Spring			
340	1	1		9699-0029-02	Planbricka	Flat washer			
350	1	1		9743-3721-32	Mutter	Nut			
390	1	1		1812-2927-01	Fäste	Controls brkt			
410	1	1		1812-3006-01	Knopp	Knob			
420	2	2		1812-2946-01	Mutter	Nut			
430	1	1		1812-2921-01	Spak-HST	Hydro control lever			
440	1	1		1812-2896-01	Reglagewire-HST	Hydro drive cable			
470	1	1		1812-2233-01	Stång & fjäder	Rod & spring			
480	2	2		1812-2268-01	Tryckfjäder	Comp spring			
490	2	2		1812-2250-01	Skruv	Screw			
495	2	2		9743-3521-32	Mutter	Nut			
500	3	3		9899-3625-16	Skruv	Screw			
510	1	1		1812-2910-01	Panelfäste	Dash support			
520	1	1		1812-2275-01	Buntband	Cable tie			
540	1	1		1812-2165-01	Motstånd	Resistor block			
550	1	1		1812-2486-01	Vagnsbult	Carriage bolt			
560	1	1		9795-3531-02	Mutter	Nut			
570	1	1		1812-2630-01	Kablage	Wiring harness			
576	1	1		1812-2631-01	Kablage-handtag	Harness-hand grip			
580	1	1		1812-2714-01	Brytare	Switch			
610	1	1		1812-2621-01	Fäste-hö	Mounting brkt-RH			
620	1	1		1812-2620-01	Fäste-vä	Mounting brkt-LH			
640	1	1		1812-2573-01	Brytarfäste-hö	Chute rotation pod-RH			
650	1	1		1812-2574-01	Brytarfäste-vä	Defl. control pod-LH			
660	1	1		1812-2715-01	Fäste-brytare	Bracket-switch			
700	3	3		9699-0026-02	Planbricka	Flat washer			
710	1	1		1812-2166-01	Skruv	Screw			
720	1	1		1812-2863-01	Wire kpl	Wire assy			
750	1	1		1812-2543-01	Fäste	Brace			
760	1	1		1812-2254-01	Skruv	Screw			
770	1	1		1812-2858-01	Distans	Spacer			
780	1	1		1812-2928-01	Skruv	Screw			
1070	2	2		1812-2357-01	Skruv	Screw			
9999	1	1			Bruksanvisning	Owner's manual			Ej ill/not ill. As PDF



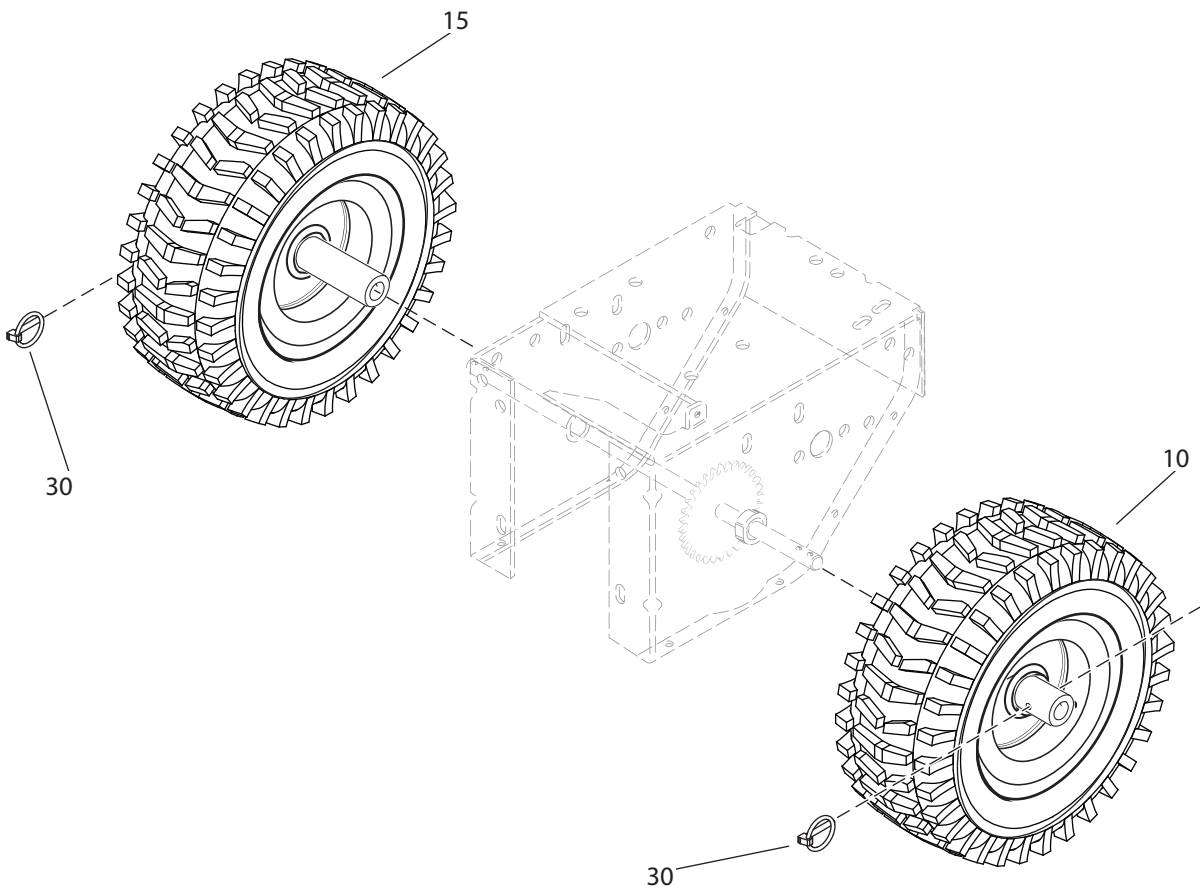
Utgåva Issue 2013-11	Bildnr Picture No 2858	1371 PRO RAM MOTOR	1371 PRO FRAME ENGINE	Sida Page 4					
Pos. Fig.	Antal/Quantity				Art nr Part No	Benämning	Description	Sats Kit	Anmärkning Notes
	2851								
30	3				1812-3110-01	Skruv.....	Capscrew.....		
55	4				1812-1916-01	Mutter.....	Speednut.....		
60	5				1812-3111-01	Mutter.....	Nut.....		
70	1				1812-3112-01	Skruv.....	Capscrew.....		
100	1				1812-3113-01	Remskiva, inre.....	Pulley, inside.....		
103	1				1812-3114-01	Remskiva, mittersta.....	Pulley, middle.....		
105	1				1812-3115-01	Remskiva, yttre.....	Pulley, outside.....		
180	1				1812-3116-01	Skruv.....	Capscrew.....		
190	1				9699-0029-02	Bricka.....	Washer.....		
200	1				1812-2944-01	Låsbricka.....	Lockwasher.....		
280	1				1812-3117-01	Remstyrning.....	Belt guide.....		
300	2				1812-2957-01	Skruv.....	Capscrew.....		
310	2				1812-2949-01	Bricka.....	Washer.....		
320	2				1812-2945-01	Låsbricka.....	Lockwasher.....		
340	1				1812-2838-01	Rem.....	Belt.....		
350	1				1812-2849-01	Rem.....	Belt.....		
360	1				1812-2874-01	Remskiva.....	Pulley.....		
380	1				1812-3002-01	Skruv.....	Screw.....		
400	1				1812-2969-01	Mutter.....	Nut.....		
420	1				1812-2845-01	Remskiva.....	Pulley.....		
430	1				1812-2987-01	Skruv.....	Screw.....		
490	1				1812-2995-01	Tryckfjäder.....	Extension spring.....		
510	1				1812-2855-01	Spännarm.....	Idler.....		
520	1				1812-2830-01	Låsnål.....	Pin.....		
530	2				1812-2869-01	Låsnål.....	Pin.....		
540	1				1812-2878-01	Tryckfjäder.....	Extension spring.....		
560	4				1812-2972-01	Skruv.....	Screw.....		
600	1				1812-3064-01	Bottenskydd.....	Cover, bottom.....		
610	2				1812-2473-01	Skruv.....	Screw.....		
630	1				1812-2871-01	Remskydd.....	Belt cover.....		
640	2				1812-2947-01	Skruv.....	Screw.....		
650	2				1812-2998-01	Låsbricka.....	Lockwasher.....		
660	1				1812-2877-01	Stöd.....	Support.....		
670	4				1812-2141-01	Skruv.....	Screw.....		
680	1				1812-3063-01	Ram.....	Frame.....		
690	1				1812-2868-01	Stöd.....	Support.....		
580	4				1812-2968-01	Mutter.....	Nut.....		
700	2				1812-2254-01	Bult.....	Bolt.....		
710	2				1812-2989-01	Mutter.....	Nut.....		
720	1				1812-2496-01	Slang, oljeavtappning.....	Oil drain assy.....		
730	1				1812-2880-01	Stag.....	Clutch rod.....		
740	1				1812-2971-01	Mutter.....	Nut.....		
750	1				9743-3621-32	Mutter.....	Nut.....		
760	1				1812-2959-01	Skruv.....	Capscrew.....		
780	1				1812-2966-01	Bricka.....	Flatwasher.....		



Utgåva Issue 2013-11		Bildnr Picture No 2859		1581 PRO RAM MOTOR		1581 PRO FRAME ENGINE		Sida Page 6	
Pos. Fig.	Antal/Quantity				Art nr Part No	Benämning	Description	Sats Kit	Anmärkning Notes
	2852								
55	4			1812-3118-01	Spännare	Retainer			
60	3			9743-3621-32	Mutter	Nut			
65	2			1812-3119-01	Mutter	Nut			
70	2			1812-3120-01	Skruv	Capscrew			
75	2			1812-3112-01	Skruv	Capscrew			
80	2			1812-3042-01	Bricka	Washer			
85	2			9699-0029-02	Bricka	Washer			
100	1			1812-3121-01	Remskiva, inre	Pulley, inside			
103	1			1812-3114-01	Remskiva, mittersta	Pulley, middle			
105	1			1812-3115-01	Remskiva, yttre	Pulley, outside			
180	1			1812-3116-01	Skruv	Capscrew			
190	1			1812-3122-01	Bricka	Washer			
200	1			1812-2944-01	Låsbricka	Lockwasher			
280	2			1812-2204-01	Remstyrning	Belt guide			
300	2			1812-2957-01	Skruv	Capscrew			
310	2			1812-2949-01	Bricka	Washer			
320	2			1812-2944-01	Låsbricka	Lockwasher			
340	1			1812-3080-01	Rem	Belt			
350	1			1812-3074-01	Rem	Belt			
360	1			1812-2874-01	Remskiva	Pulley			
380	1			1812-3002-01	Skruv	Screw			
400	1			1812-2969-01	Mutter	Nut			
420	1			1812-2845-01	Remskiva	Pulley			
430	1			1812-2987-01	Skruv	Screw			
490	1			1812-2995-01	Tryckfjäder	Extension spring			
510	1			1812-2855-01	Spännarm	Idler			
520	1			1812-2830-01	Låsnål	Pin			
530	2			1812-2869-01	Låsnål	Pin			
540	1			1812-2878-01	Tryckfjäder	Extension spring			
560	4			1812-3053-01	Skruv	Screw			
580	4			1812-2968-01	Mutter	Nut			
600	1			1812-3064-01	Bottenskydd	Cover, bottom			
610	2			1812-2473-01	Skruv	Screw			
630	1			1812-2871-01	Remskydd	Belt cover			
640	2			1812-2980-01	Nut	Speednut			
650	2			1812-2947-01	Skruv	Screw			
660	2			1812-2998-01	Bricka	Washer			
670	1			1812-2877-01	Stöd	Support			
680	4			1812-1833-01	Skruv	Screw			
690	1			1812-3079-01	Ram	Frame			
750	1			1812-2868-01	Stöd	Support			
760	2			1812-2254-01	Bult	Bolt			
770	2			1812-2980-01	Mutter	Nut			
1000	1			1812-2880-01	Stag	Clutch rod			
1120	1			1812-2971-01	Mutter	Nut			
1150	1			9743-3621-32	Mutter	Nut			
1160	1			1812-2959-01	Skruv	Capscrew			
1190	1			1812-2966-01	Bricka	Flatwasher			



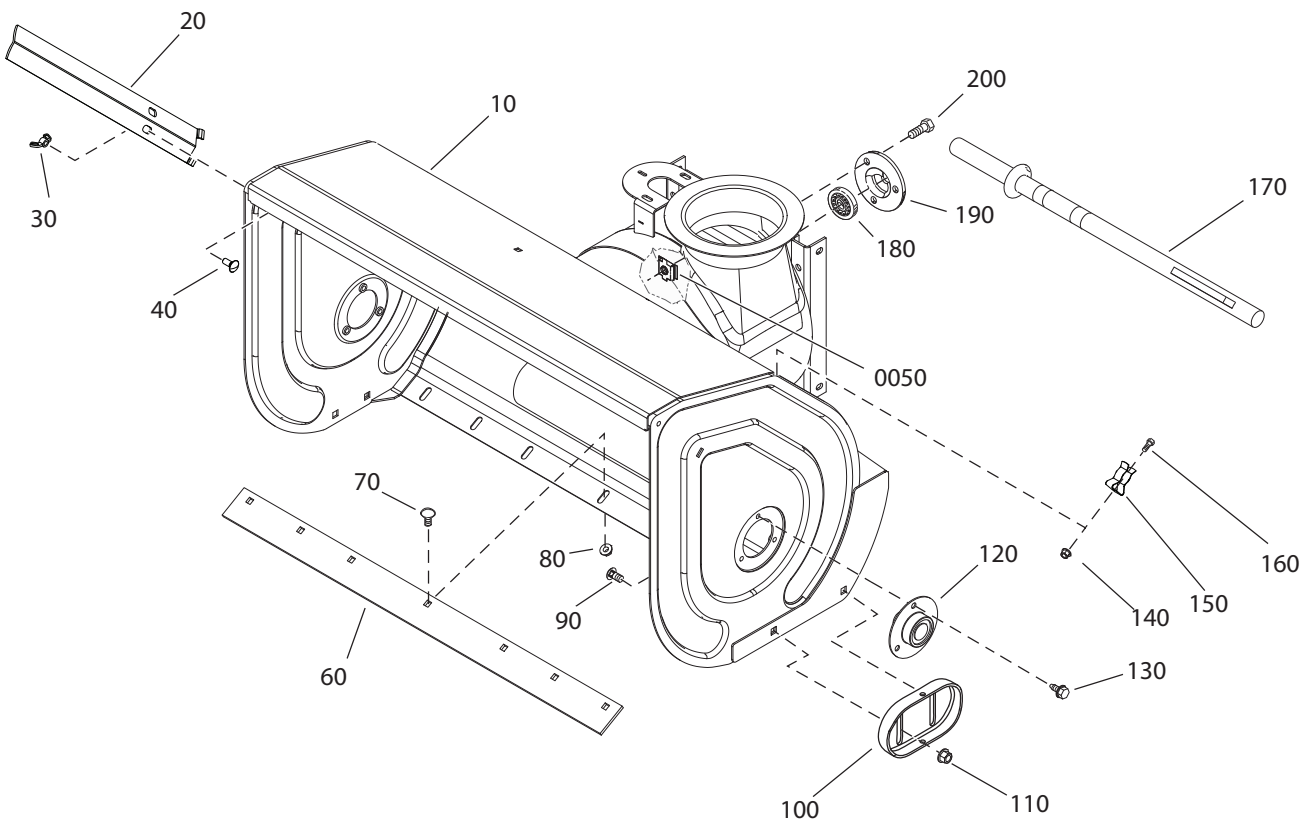
Utgåva Issue 2013-11		Bildnr Picture No 2860		1371 PRO - 1581 PRO DRIVNING		1371 PRO - 1581 PRO TRACTION DRIVE		Sida Page 8	
Pos. Fig.	Antal/Quantity			Art nr Part No	Benämning	Description	Sats Kit	Anmärkning Notes	
	2851	2852							
10	1	1		1812-2832-01	Bussning	Bushing			
20	1	1		1812-2901-01	Axel	Shaft			
30	1	1		1812-2847-01	Spännarm	Pivot arm			
30A	1	1		1812-2828-01	Kullager	Ball bearing			
30B	2	2		1812-2837-01	Bussning	Bushing			
30C	1	1		1812-2839-01	Bussning	Bushing			
40	2	2		1812-2251-01	Skruv	Screw			
50	1	1		1812-2848-01	Remskiva kpl	Pulley assy			
60	1	1		1812-2873-01	Tryckfjäder	Extension spring			
70	1	1		1812-3122-01	Bricka	Washer			
80	1	1		1812-2879-01	Hylsa	Collar			
90	1	1		1812-2990-01	Mutter	Nut			
100	1	1		1812-2900-01	Drev	Gear			
110	3	3		9699-0029-02	Bricka	Washer			
120	1	1		1812-2881-01	Drev kpl	Gear assy			
130	1	1		1812-3122-01	Bricka	Washer			
140	1	1		1812-2867-0	Bussning	Bushing			
150	1	1		1812-3022-01	Smörjnippel	Grease joint			
160	2	2		1812-3013-0	Skruv	Screw			
170	1	1		1812-2869-01	Låsnål	Pin			
180	1	1		1812-2875-01	Stag	Rod			
190	1	1		1812-2965-01	Bricka	Washer			
200	1	1		1812-2274-01	Kil	Key			
210	1	1		1812-2864-01	Disc drive	Disc drive			
220	4	4		1812-2965-01	Bricka	Washer			
230	1	1		1812-2862-01	Axel	Jackshaft			
240	1	1		1812-2866-01	Fjäder	Spring			
250	1	1		1812-2861-01	Glidkoppling	Clutch			
260	1	1		1812-2865-01	Kopplingsarm	Clutch arm			
270	1	1		1812-2999-01	Segersäkring	Retainer ring			
280	1	1		1812-2860-01	Drev	Gear			
290	1	1		1812-2851-01	Distans	Spacer			
300	1	1		1812-2841-01	Kedjedrev	Sprocket			
310	1	1		1812-2859-01	Drev	Gear			
320	3	3		1812-2956-01	Skruv	Screw			
330	6	6		1812-2988-01	Mutter	Nut			
340	4	4		1812-2843-01	Lager	Retainer			
350	4	4		1812-2373-01	Kullager	Ball bearing			
360	8	8		1812-2641-01	Skruv	Screw			
370	1	1		1812-2876-01	Kedjedrev	Sprocket			
380	1	1		1812-2842-01	Hylsa	Collar			
390	2	2		1812-2870-01	Skruv	Screw			
400	2	2		1812-2850-01	Hylsa	Collar			
410	1	1		1812-2835-01	Låsnål	Pin			
420	1	1		1812-2831-01	Nav	Hub			
430	1	1		1812-2872-01	Fäste	Friction disk			
440	3	3		1812-2955-01	Skruv	Screw			
450	1	1		1812-2898-01	Axel	Shaft			
460	1	1		1812-2897-01	Skruv	Screw			
470	1	1		1812-2833-01	Bussning	Bushing			
480	1	1		1812-2854-01	Hävarm	Bellcrank			
490	1	1		1812-2846-01	Växelarm	Shift arm			
500	1	1		1812-2834-01	Bussning	Bushing			
510	1	1		9699-0026-02	Bricka	Washer			
520	1	1		1812-2964-01	Skruv	Capscrew			
530	1	1		1812-2844-01	Fjäder	Spring			
540	1	1		1812-2840-01	Kedjerulle	Chain roller			
550	1	1		1812-2991-01	Mutter	Nut			
580	1	1		1812-2899-01	Segersäkring	Retainer ring			
590	1	1		1812-2967-01	Bricka	Washer			
600	2	2		1812-3054-01	Mutter	Nut			



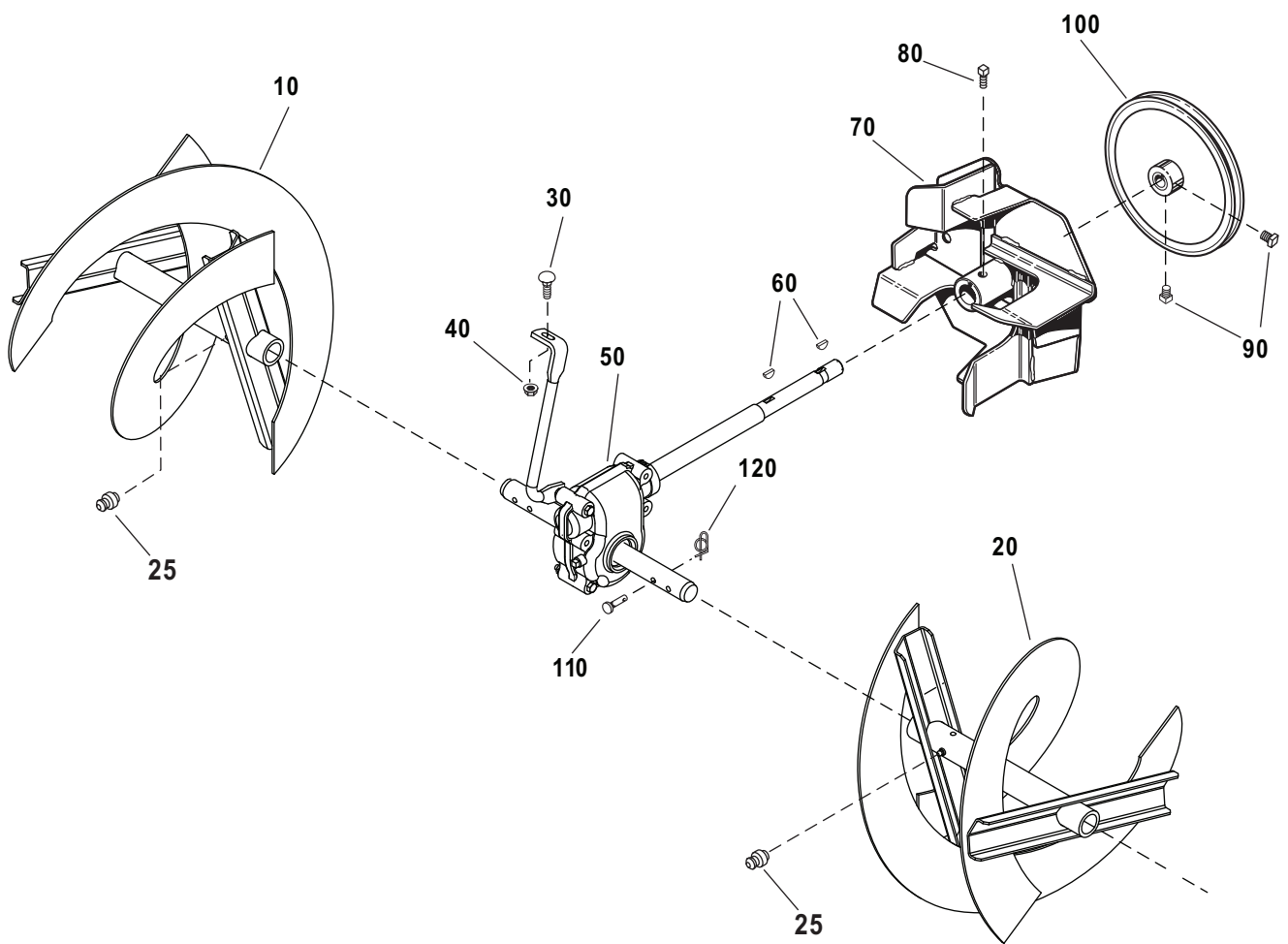
STIGA

2738C
SPARE PARTS

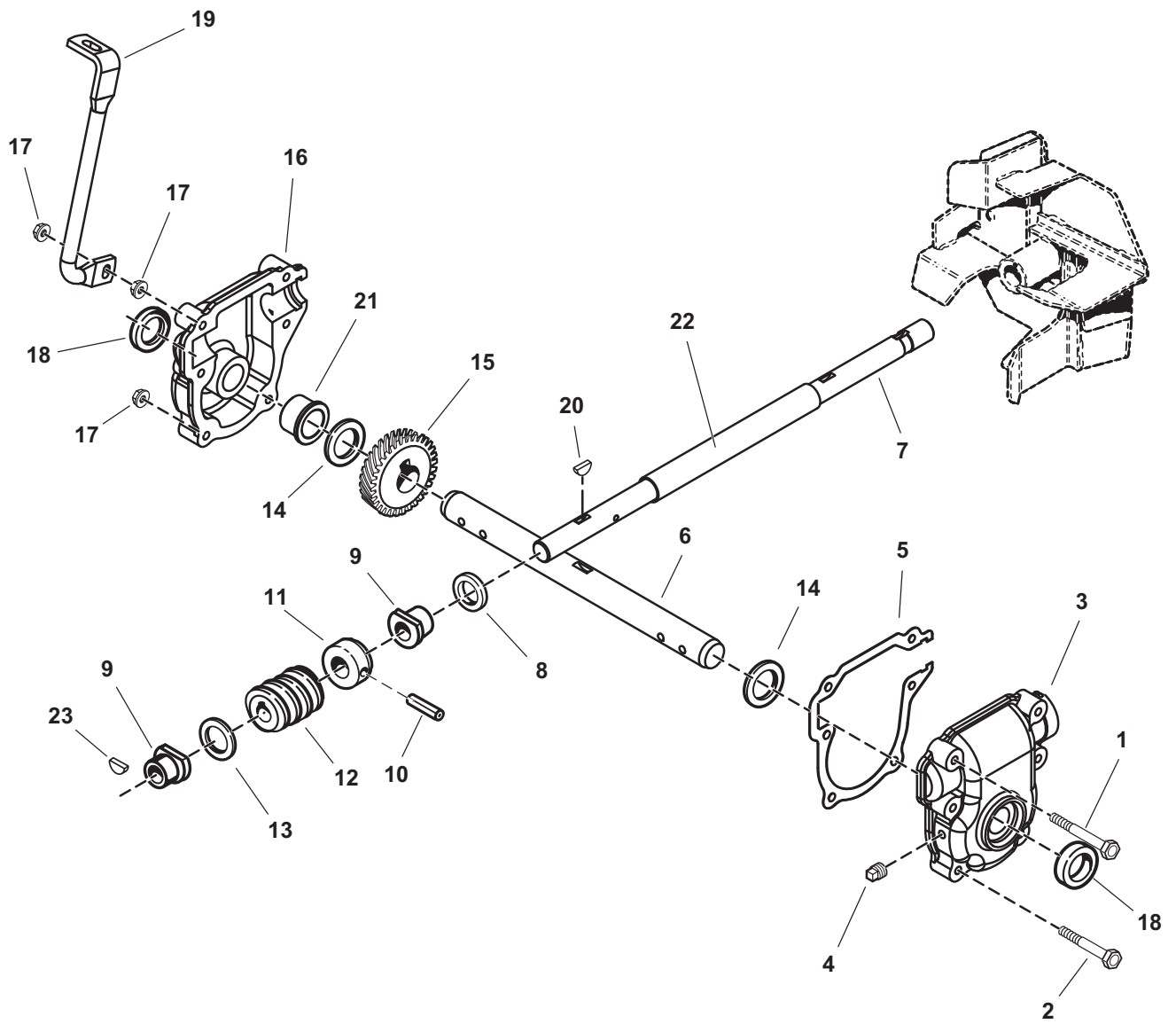
Utgåva Issue 2013-11		Bildnr Picture No 2738C		1371 PRO - 1581 PRO HJUL		1371 PRO - 1581 PRO WHEELS		Sida Page 10	
Pos. Fig.	Antal/Quantity			Art nr Part No	Benämning	Description	Sats Kit	Anmärkning Notes	
	2851	2852							
10	1	1		1812-3081-01	Hjul kpl-vä.....	Wheel assy-LH.....			
15	1	1		1812-3083-01	Hjul kpl-hö.....	Wheel assy-RH.....			
30	2	2		1812-2882-01	Låsring.....	Pin.....			



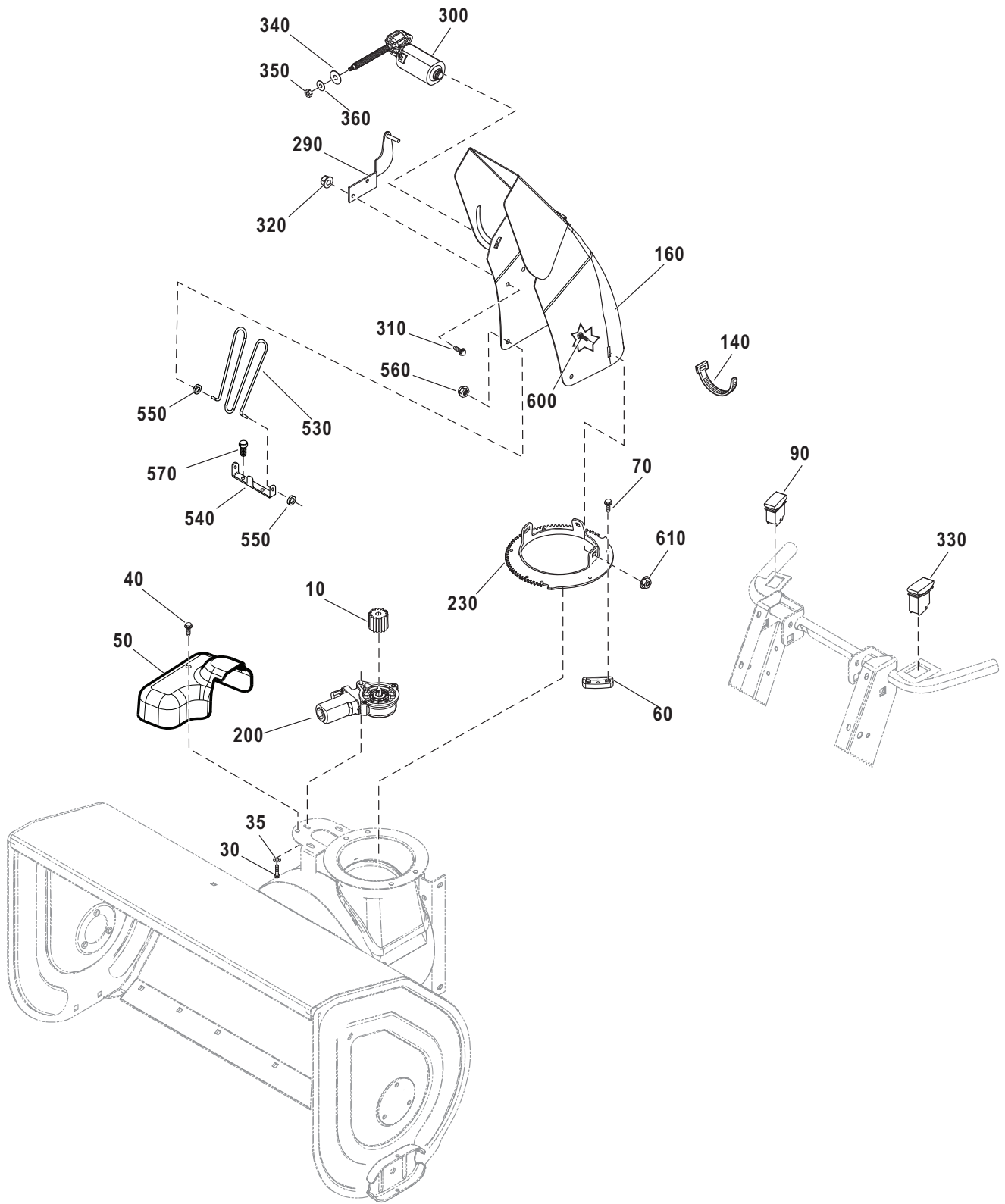
Utgåva Issue 2013-11		Bildnr Picture No 2739C		1371 PRO - 1581 PRO INMATNINGSHUS		1371 PRO - 1581 PRO AUGER HOUSING		Sida Page 12	
Pos. Fig.	Antal/Quantity			Art nr Part No	Benämning	Description	Sats Kit	Anmärkning Notes	
	2851	2852							
10	1			1812-3061-01	Inmatningshus.....	Auger housing.....		28" (71 cm)	
10		1		1812-3062-01	Inmatningshus.....	Auger housing.....		32" (81 cm)	
20	2	2		1812-2378-01	Drivskär.....	Drift cutter.....			
30	2	2		1812-2359-01	Vingmutter.....	Wing nut.....			
40	2	2		9899-3622-16	Skruv.....	Screw.....			
50	3	3		9743-3621-32	Mutter.....	Nut.....			
60	1			1812-2856-01	Skrapskär.....	Scraper blade.....		28" (71 cm)	
60		1		1812-2857-01	Skrapskär.....	Scraper blade.....		32" (81 cm)	
70	7	5		1812-2264-01	Vagnsbult.....	Carriage bolt.....			
80	7	5		9727-3641-22	Mutter.....	Nut.....			
90	4	4		9899-3725-16	Skruv.....	Screw.....			
100	2	2		1812-2918-01	Släpsko.....	Skid shoe.....			
110	4	4		1132-0695-01	Mutter.....	Nut.....			
120	2	2		1812-2891-01	Kullager.....	Ball bearing.....			
130	6	6		1812-2141-01	Skruv.....	Screw.....			
140	2	2		1812-1912-01	Mutter.....	Nut.....			
150	2	2		1812-2413-01	Klämma.....	Spring clamp.....			
160	2	2		1812-2480-01	Skruv.....	Screw.....			
170	1	1		1812-2400-01	Borste.....	Cleanout brush.....			
180	1	1		1812-2994-01	Lager.....	Greased bearing.....			
190	1	1		1812-2829-01	Lagerhållare.....	Bearing retainer.....			
200	3	3		9899-3625-16	Skruv.....	Screw.....			



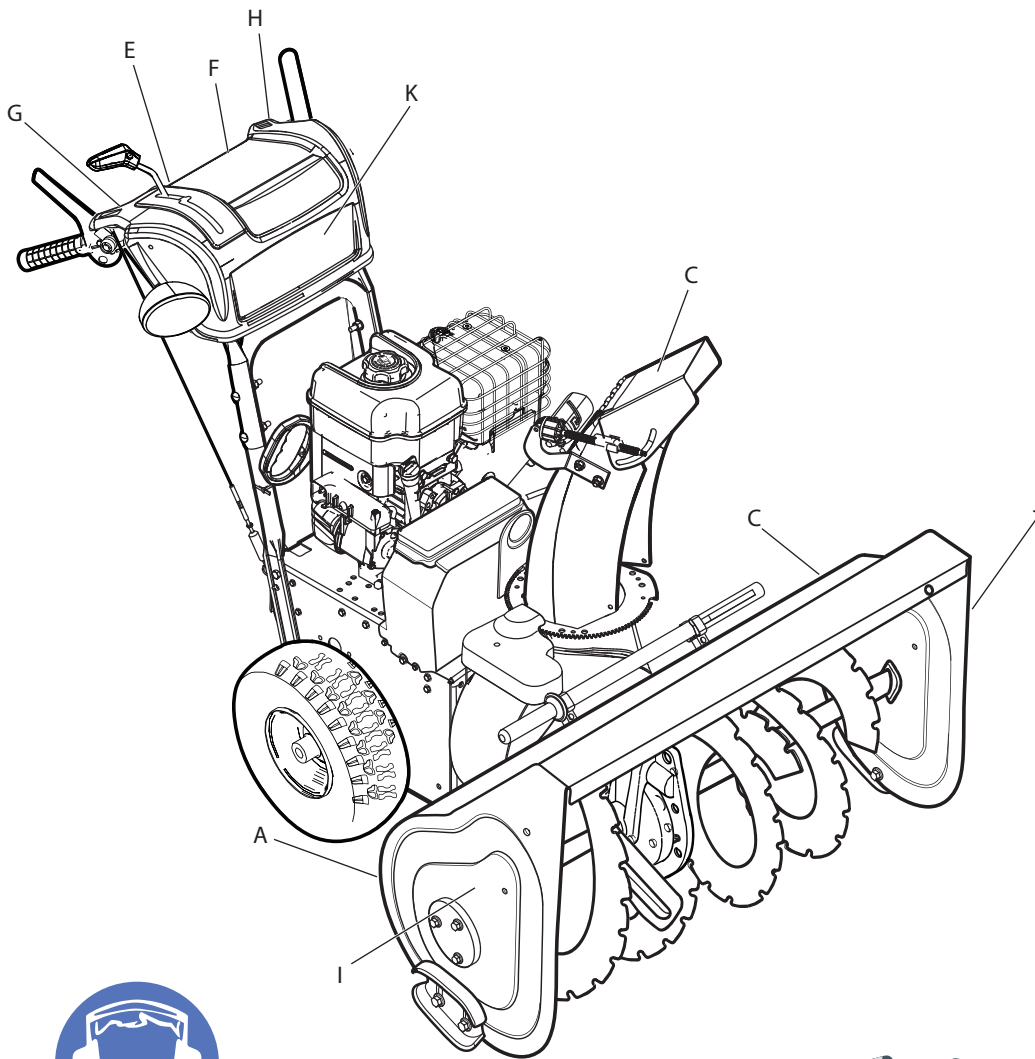
Utgåva Issue 2013-11		Bildnr Picture No 2740A		1371 PRO - 1581 PRO SNÖSKRUV		1371 PRO - 1581 PRO AUGER DRIVE		Sida Page 14	
Pos. Fig.	Antal/Quantity			Art nr Part No	Benämning	Description	Sats Kit	Anmärkning Notes	
	2851	2852							
10	1			1812-2893-01	Snöskruv-hö.....	Auger-RH.....			
10		1		1812-2895-01	Snöskruv-hö.....	Auger-RH.....			
20	1			1812-2892-01	Snöskruv-vä.....	Auger-LH.....			
20		1		1812-2894-01	Snöskruv-vä.....	Auger-LH.....			
25	2	2		1812-2646-01	Smörjnippel.....	Lube fitting.....			
30	1	1		9899-3625-16	Skruv.....	Screw.....			
40	1	1		9727-3641-22	Mutter.....	Nut.....			
50	1	1		1812-2175-01	Snäckväxel kpl.....	Gearbox assy.....			
60	2	2		1812-2274-01	Kil.....	Key.....			
70	1	1		1812-2827-01	Fläkt.....	Impeller.....			
80	1	1		1812-2262-01	Skruv.....	Screw.....			
90	2	2		1812-2251-01	Skruv.....	Screw.....			
100	1	1		1812-2883-01	Remskiva.....	Pulley.....			
110	1	1		1812-9029-01	Brytbultsats.....	Shear bolt kit.....		Sats 2 st/kit of 2	
120	2	2		1812-2563-01	Låsnål.....	Cotter pin.....			



Utgåva Issue 2013-11		Bildnr Picture No 2186		1371 PRO - 1581 PRO SNÄCKVÄXEL		1371 PRO - 1581 PRO GEAR CASE		Sida Page 16	
Pos. Fig.	Antal/Quantity			Art nr Part No	Benämning	Description	Sats Kit	Anmärkning Notes	
	2851	2852							
1	1	1		9988-3564-12	Skruv.....	Screw.....		L = 64 mm L = 57 mm	
2	5	5		9988-3557-12	Skruv.....	Screw.....			
3	1	1		1812-2132-01	Växelhus-vä.....	Gear case-LH.....			
4	1	1		1812-2146-01	Plugg.....	Plug.....			
5	1	1		1812-2130-01	Packning.....	Gasket.....			
6	1	1		1812-2181-01	Axel.....	Auger shaft.....			
7	1	1		1812-2173-01	Axel.....	Worm shaft.....			
8	1	1		1812-2128-01	Tätningring.....	Oil seal.....			
9	2	2		1812-2136-01	Flänsbussning.....	Flange bushing.....			
10	1	1		1812-2277-01	Stift.....	Drive lock pin.....			
11	1	1		1812-2131-01	Hylsa.....	Thrust collar.....			
12	1	1		1812-2135-01	Snäckskruv.....	Worm.....			
13	1	1		1812-2271-01	Tryckbricka.....	Thrust washer.....			
14	2	2		1812-2270-01	Tryckbricka.....	Thrust washer.....			
15	1	1		1812-2134-01	Snäckdrev.....	Worm gear.....			
16	1	1		1812-2133-01	Växelhus-hö.....	Gear case-RH.....			
17	7	7		9743-3521-32	Mutter.....	Nut.....			
18	2	2		1812-2269-01	Tätningring.....	Seal.....			
19	1	1		1812-2172-01	Stag.....	Bracket.....			
20	1	1		1812-2274-01	Kil.....	Key.....			
21	2	2		1812-2198-01	Bussning.....	Bushing.....			
22	1	1		1812-2129-01	Rör.....	Tube.....			
23	1	1		1812-2276-01	Kil.....	Key.....			



Utgåva Issue 2013-11		Bildnr Picture No 2741A		1371 PRO - 1581 PRO UTKAST		1371 PRO - 1581 PRO DISCHARGE CHUTE		Sida Page 18	
Pos. Fig.	Antal/Quantity			Art nr Part No	Benämning	Description	Sats Kit	Anmärkning Notes	
	2851	2852							
10	1	1		1812-2375-01	Drev	Pinion			
30	3	3		1812-2741-01	Skruv	Screw			
35	3	3		9699-0099-02	Bricka	Washer			
40	1	1		1812-2474-01	Skruv	Screw			
50	1	1		1812-2415-01	Lock	Cover			
60	3	3		1812-2280-01	Hållare	Retainer			
70	6	6		1812-2257-01	Skruv	Screw			
90	1	1		1812-2533-01	Strömbrytare	Switch-chute rotate			
140	1	1		1812-2371-01	Buntband	Self lock tie			
160	1	1		1812-2427-01	Utkast	Chute			
200	1	1		1812-2735-01	Motor-rotation	Motor-spout rotator			
230	1	1		1812-2422-01	Ringdrev	Chute gear			
290	1	1		1812-2435-01	Stag	Bracket			
300	1	1		1812-2421-01	Motor	Motor, chute deflect			
310	2	2		1812-2265-01	Skruv	Screw			
320	2	2		9743-3521-32	Mutter	Nut			
330	1	1		1812-2730-01	Brytare	Switch, defl.control			
340	1	1		1812-2431-01	Gummibricka	Rubber washer			
350	1	1		1812-2432-01	Mutter (vä-gängad)	Nut (left hand)			
360	1	1		1812-2484-01	Bricka	Washer			
530	1	1		1812-2381-01	Utkastskydd	Chute guard			
540	1	1		1812-2416-01	Fäste	Chute guard brkt			
550	2	2		1812-2426-01	Hylsa	Grommet			
560	2	2		1812-2478-01	Snabbmutter	Push nut			
570	2	2		1812-2473-01	Skruv	Screw			
600	2	2		1812-2254-01	Vagnsbult	Carriage bolt			
610	2	2		9795-3531-02	Mutter	Nut			



C



A



G



H



I

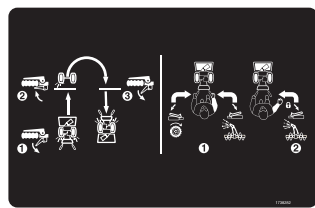
J



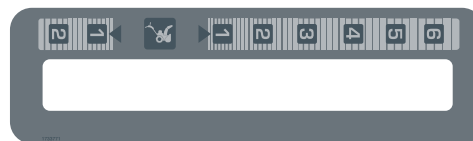
K



C



F



E



Utgåva Issue 2013-11		Bildnr Picture No 2787B		1371 PRO - 1581 PRO DEKALER		1371 PRO - 1581 PRO LABELS		Sida Page 20	
Pos. Fig.	Antal/Quantity				Art nr Part No	Benämning	Description	Sats Kit	Anmärkning Notes
	2851	2852							
1 1	1	1			1812-2704-02 1812-2705-02	Dekalsats..... Dekalsats.....	Label kit Label kit		1371 1581