

# Genuine Spare Parts

www.stiga.com

## SNOW PRISMA BASIC Model Year 2012/2013

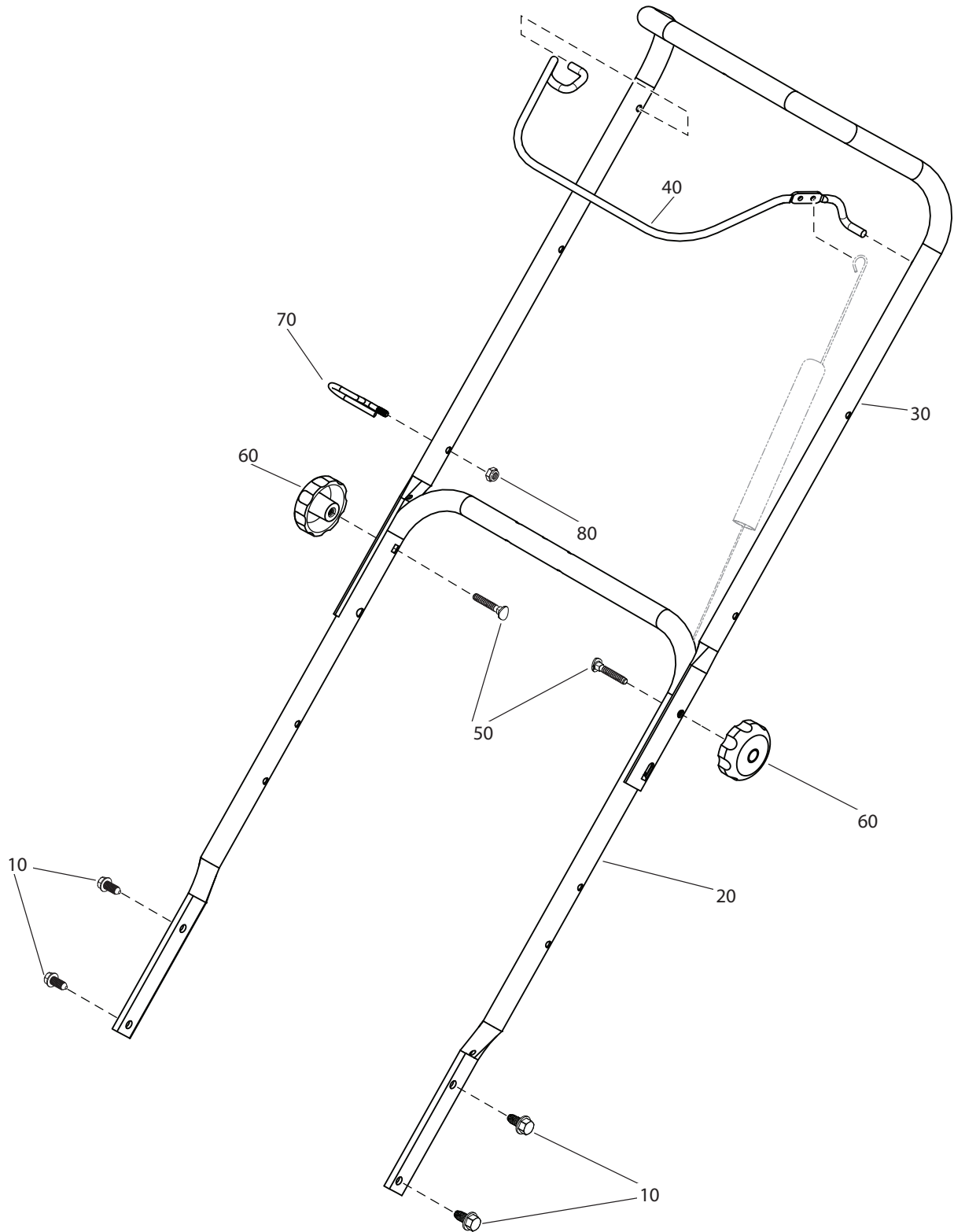
includes:  
18-2815-31 Snow Prisma Basic

- Use GLOBAL GARDEN PRODUCT Genuine Spare Parts specified in the parts list for repair and/or replacement.
- The contents described in the parts list may change due to improvement.
- The drawings of the spare parts are only indicative and might not represent the part in question exactly.
- The indications "right" - "left" - "front" - "rear" refer to the position of the operator when using the machine.
- When placing orders of parts for repair and/or replacement, make sure that the illustrated parts list is the one applying to the machine's year of manufacture, as shown on the identification plate attached to the machine.

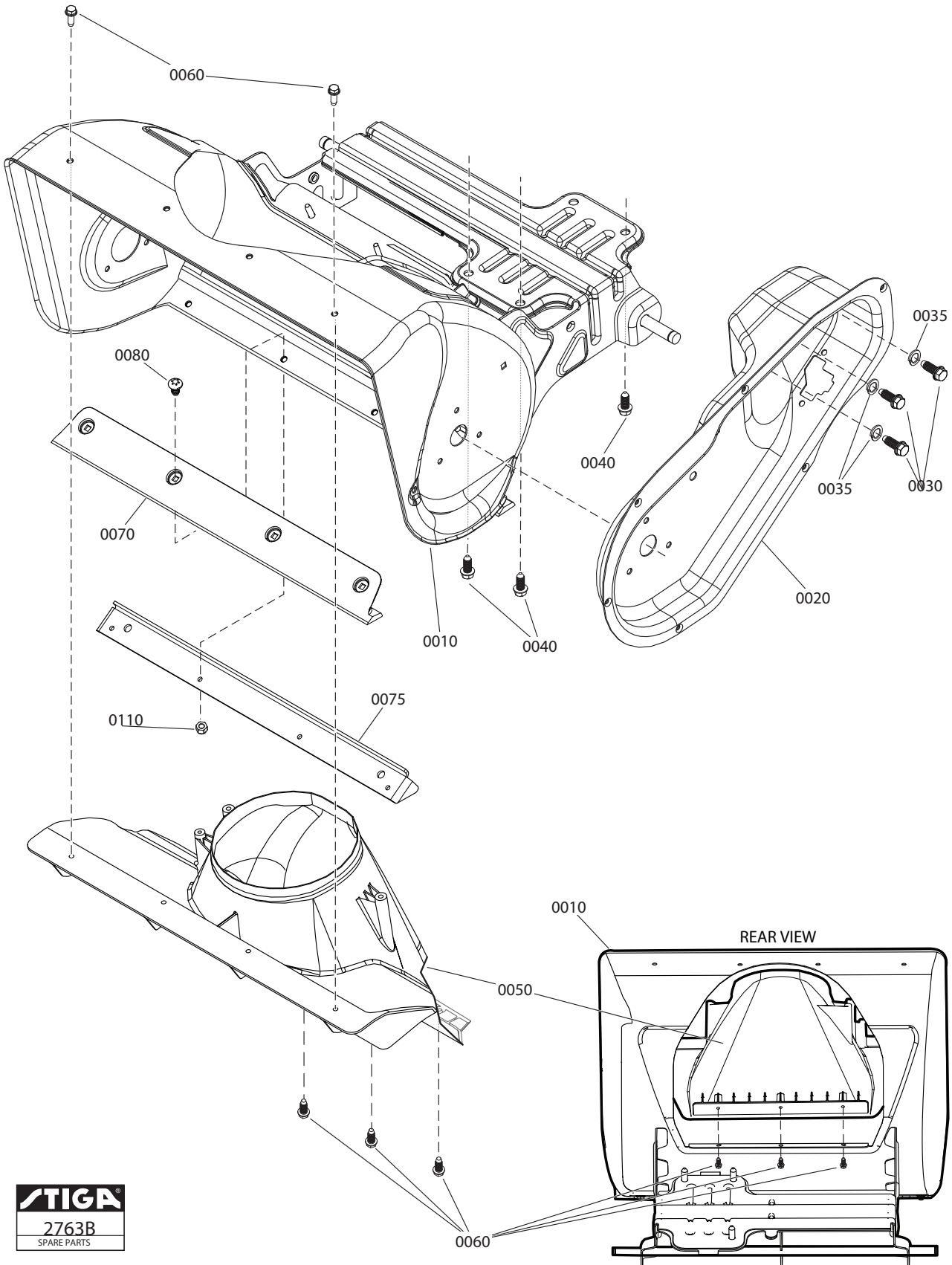
COPYRIGHT by GLOBAL GARDEN PRODUCTS

All rights reserved. No part of this material may be reproduced or transmitted, in any form or by any means, electronic or mechanical, including photocopying, recording or by any information storage and retrieval system, without permission in writing from GLOBAL GARDEN PRODUCTS.

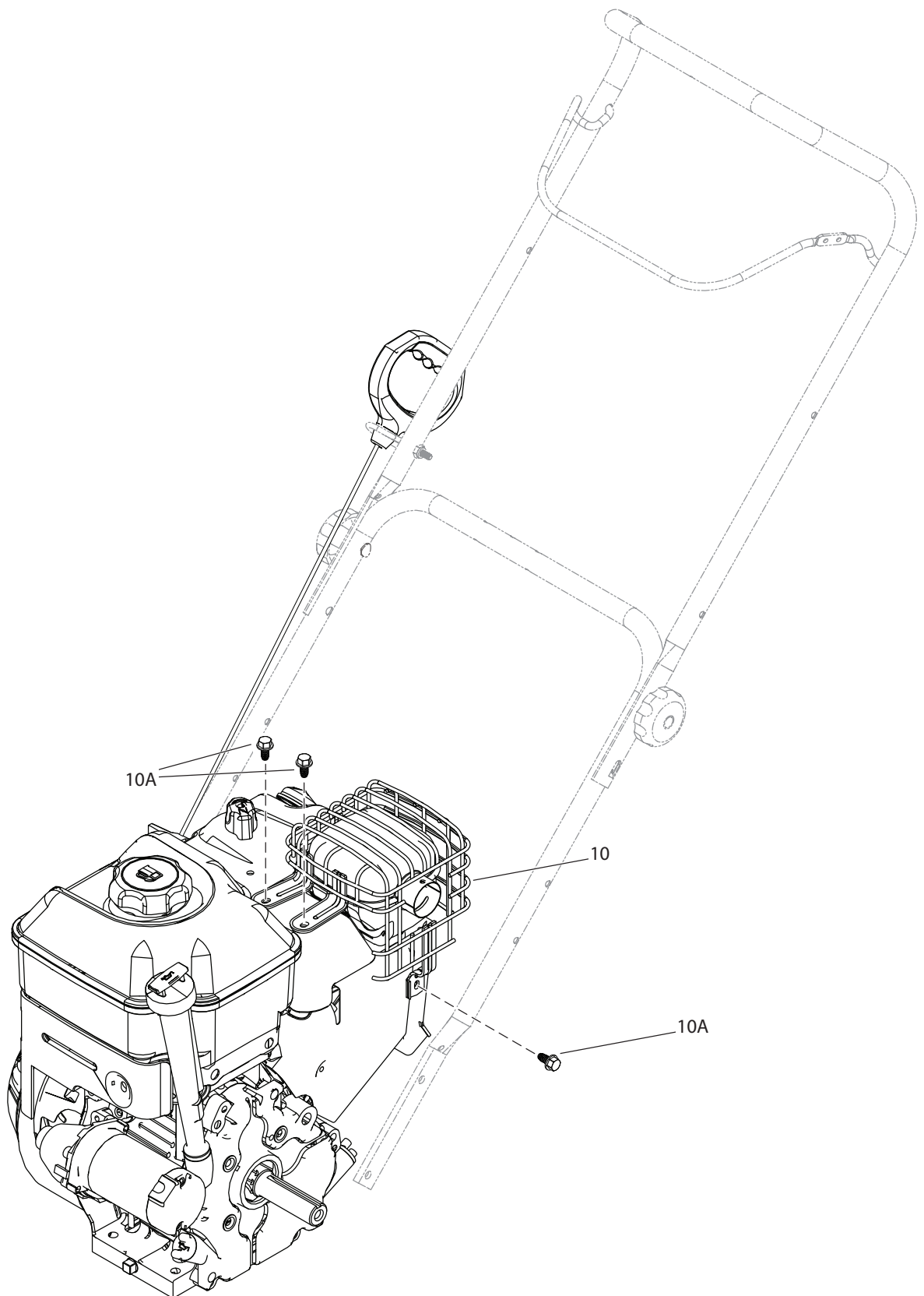




Utgåva Issue 2013-11		Bildnr Picture No 2853		SNOW PRISMA STYRE REGLAGE		SNOW PRISMA HANDLE CONTROLS		Sida Page 2	
Pos. Fig.	Antal/Quantity				Art nr Part No	Benämning	Description	Sats Kit	Anmärkning Notes
	2815								
10	4				1812-2641-01	Skruv.....	Screw.....		
20	1				1812-2568-01	Styre-undre .....	Handlebar-lower.....		
30	1				1812-3069-01	Styre-övre .....	Handlebar-upper.....		
40	1				1812-2909-01	Reglagebygel.....	Engine stop bail.....		
50	1				1812-2653-01	Vagnsbult.....	Carriage bolt.....		
60	2				1812-3039-01	Låsratt .....	Handle knob .....		
70	2				1812-2572-01	Snörguide.....	Rope guide .....		
80	1				9743-3521-32	Mutter .....	Nut.....		

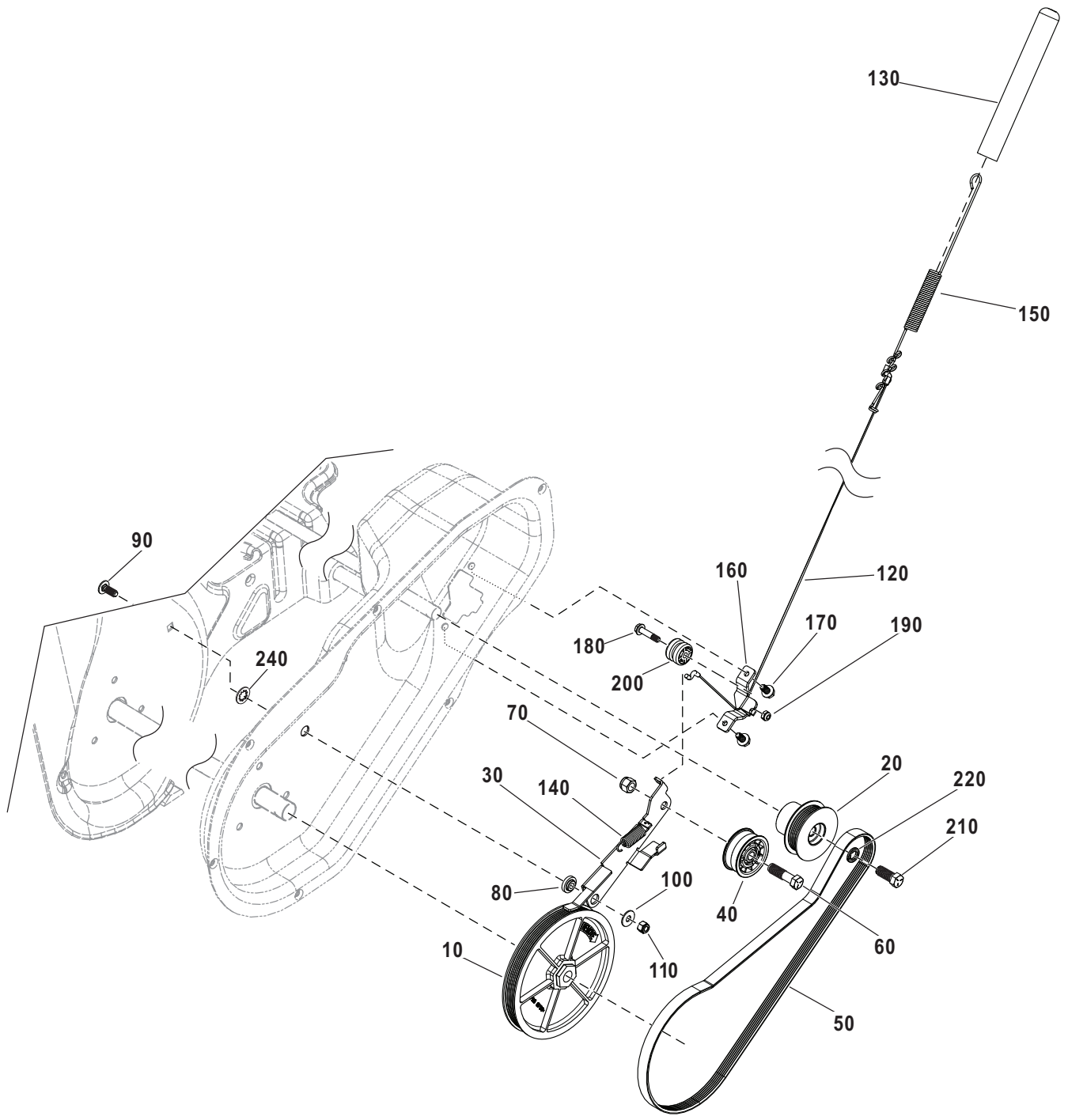


Utgåva Issue 2013-11		Bildnr Picture No 2763B		SNOW PRISMA RAM		SNOW PRISMA FRAME		Sida Page 4	
Pos. Fig.	Antal/Quantity				Art nr Part No	Benämning	Description	Sats Kit	Anmärkning Notes
	2815								
10	1				1812-2558-01	Ram kpl .....	Frame assy .....		
20	1				1812-2555-01	Transmissionshus.....	Drive housing.....		
30	3				9987-5119-16	Skruv.....	Screw.....		
35	3				1812-2945-01	Bricka .....	Washer.....		
40	3				9955-3732-12	Skruv.....	Screw.....		
50	1				1812-2578-01	Utkaströr .....	Chimney.....		
60	5				1812-2765-01	Skruv.....	Screw.....		
70	1				1812-2713-01	Skrapskär .....	Scraper bar .....		
75	1				1812-2762-01	Stöd.....	Support.....		
80	4				1812-3010-01	Skruv.....	Screw.....		
110	4				1812-2939-01	Mutter .....	Nut.....		





Utgåva Issue 2013-11		Bildnr Picture No 2854		SNOW PRISMA MOTOR		SNOW PRISMA ENGINE		Sida Page 6	
Pos. Fig.	Antal/Quantity				Art nr Part No	Benämning	Description	Sats Kit	Anmärkning Notes
	2815								
10 10B	1 3				1812-2497-01 699854	Ljuddämparskydd..... Skruv.....	Muffler guard ..... Screw.....		B&S part

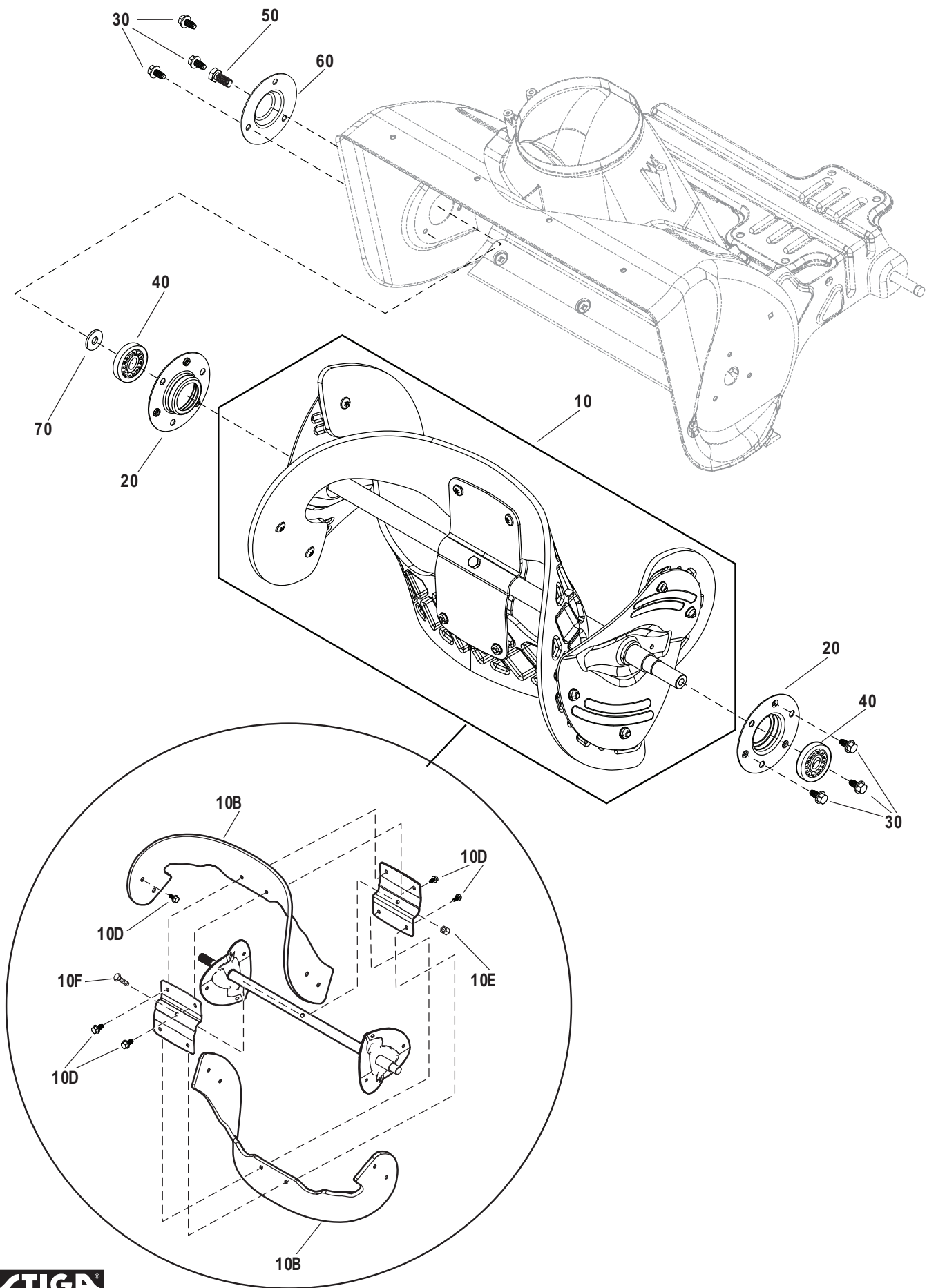




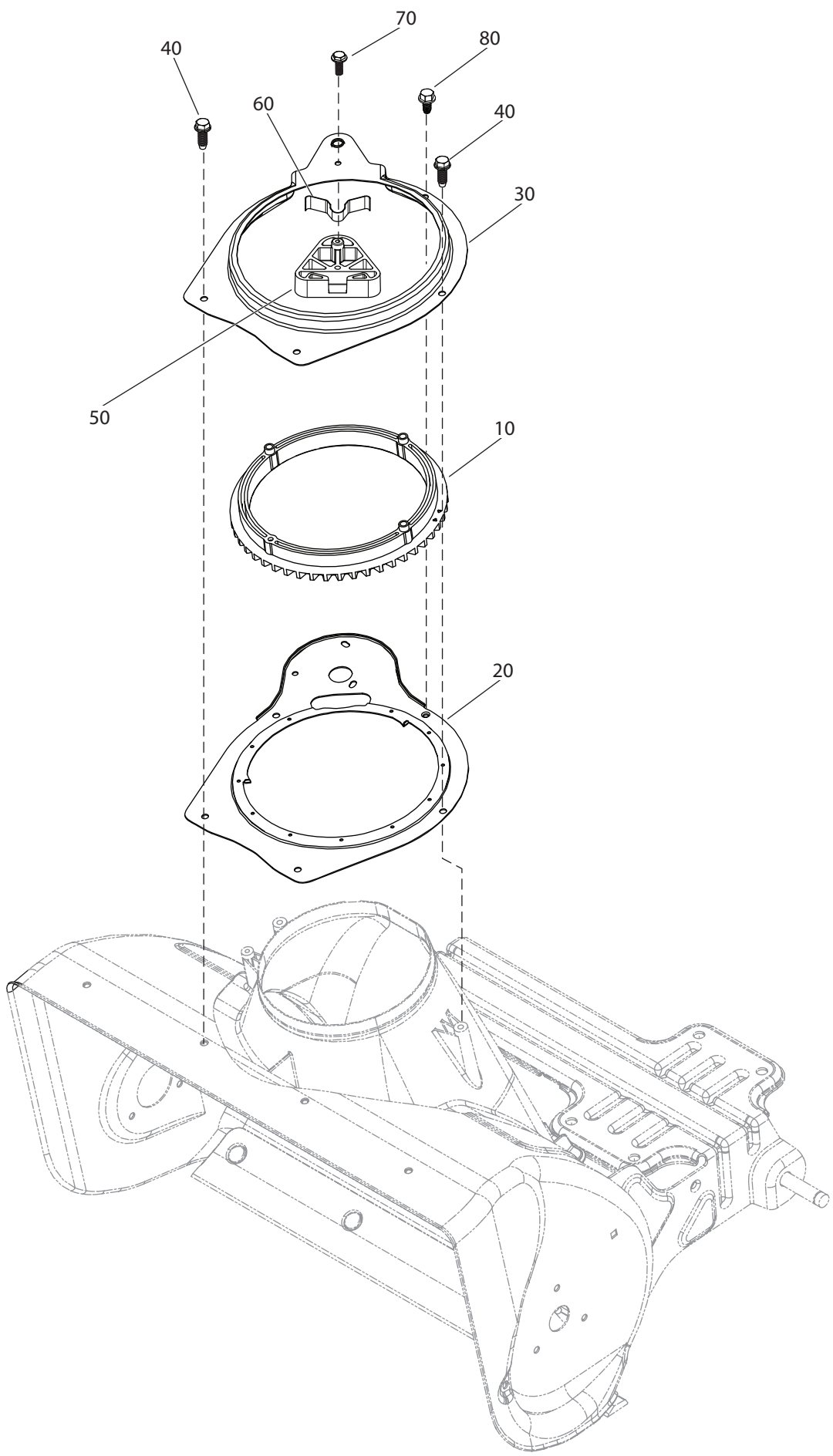
Utgåva Issue 2013-11		Bildnr Picture No 2771A		SNOW PRISMA DRIVNING SNÖSKRUV		SNOW PRISMA AUGER DRIVE		Sida Page 8	
Pos. Fig.	Antal/Quantity				Art nr Part No	Benämning	Description	Sats Kit	Anmärkning Notes
	2815								
10	1				1812-2602-01	Remskiva-sekundär .....	Pulley-driven .....		
20	1				1812-2557-01	Remskiva-primär .....	Pulley-driver .....		
30	1				1812-2577-01	Spännarm .....	Idler drive arm .....		
40	1				1812-2077-01	Spännrulle .....	Tension roller .....		
50	1				1812-2566-01	Drivrem .....	Drive belt .....		
60	1				9988-3738-12	Skruv .....	Screw .....		
70	1				9743-3721-32	Mutter .....	Nut .....		
80	1				1812-2601-01	Distans .....	Spacer .....		
90	1				1812-2642-01	Vagnsbult .....	Carriage bolt .....		
100	1				1812-2654-01	Bricka .....	Flat washer .....		
110	1				9743-3521-32	Mutter .....	Nut .....		
120	1				1812-2126-01	Reglagewire .....	Drive cable .....		
130	1				1812-2608-01	Fjäderhylsa .....	Clutch spring boot .....		
140	1				1812-2615-01	Fjäder .....	Idler spring .....		
150	1				1812-2616-01	Fjäder .....	Extension spring .....		
160	1				1812-2617-01	Fäste .....	Cable guide bracket .....		
170	2				1812-2619-01	Skruv .....	Screw .....		
180	1				1812-2625-01	Skruv .....	Screw .....		
190	1				1812-2651-01	Mutter .....	Nut .....		
200	1				1812-1205-01	Spole .....	Spool .....		
210	1				1812-2079-01	Skruv .....	Screw .....		
220	1				9683-0035-02	Bricka .....	Washer .....		
240	1				1812-2763-01	Låsbricka .....	Push nut .....		



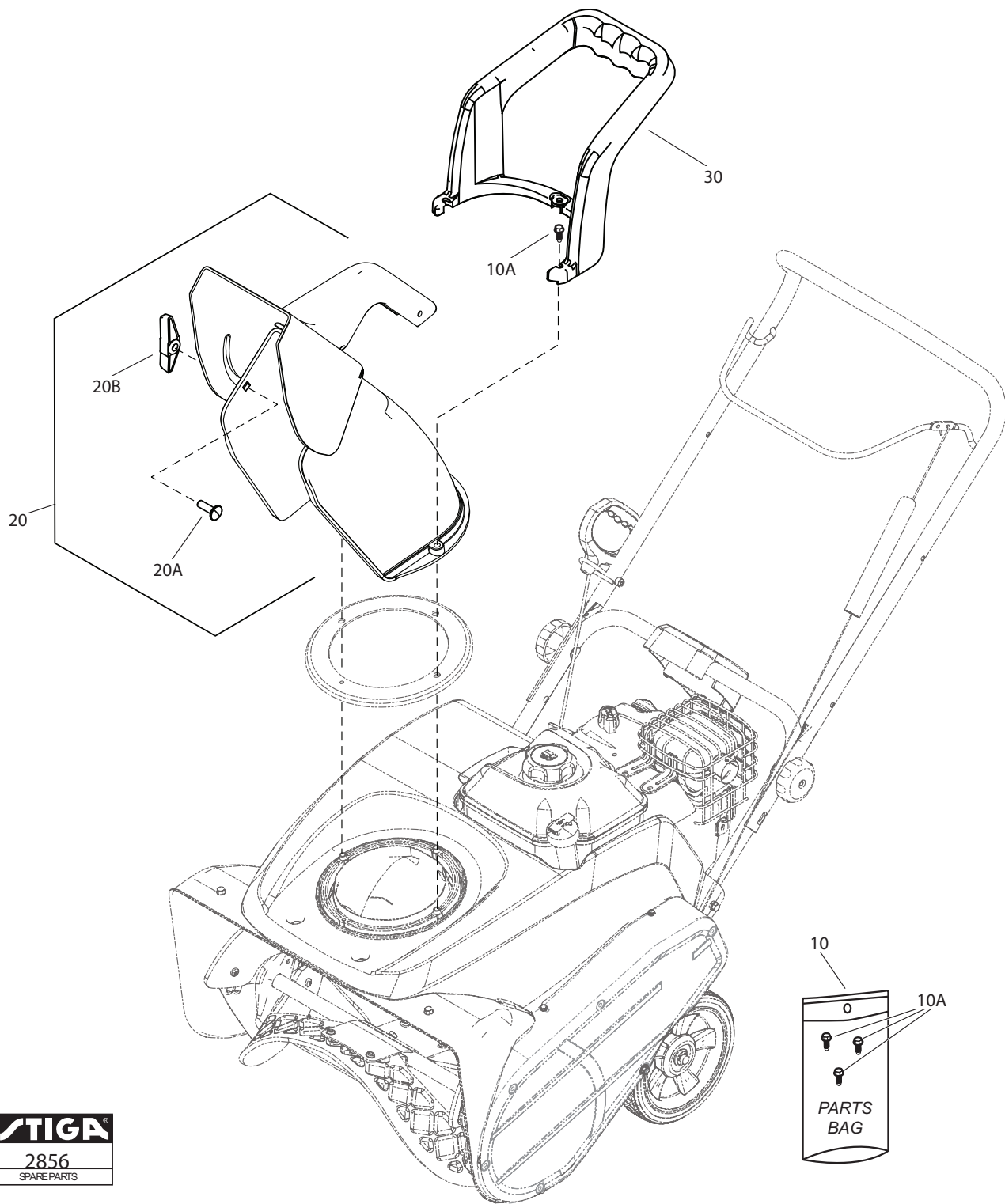
Utgåva Issue 2013-11		Bildnr Picture No 2767A		SNOW PRISMA HJUL KÅPOR		SNOW PRISMA WHEELS BODY COVER		Sida Page 10	
Pos. Fig.	Antal/Quantity				Art nr Part No	Benämning	Description	Sats Kit	Anmärkning Notes
	2815								
10	1				1812-3058-01	Kåpa-övre, gul .....	Cover-top , yellow.....		
20	1				1812-2579-01	Kåpa, svart .....	Drive case cover, bl.....		
30	2				9988-3551-12	Skruv .....	Screw.....		
40	2				9743-3521-32	Mutter .....	Nut.....		
50	2				1812-2618-01	Skruv.....	Screw.....		
60	6				1812-2619-01	Skruv.....	Screw.....		
70	2				1812-2994-01	Hjul .....	Wheel .....		
80	2				1812-2492-01	Låsring .....	E-ring .....		
90	2				1812-2649-01	Planbricka .....	Flat washer .....		
100	2				1812-2627-01	Skruv.....	Cap screw .....		
110	2				1812-2498-01	Snabbmutter.....	Speed nut.....		
120	1				1812-2603-01	Kåpring-utkast .....	Chute cover .....		
130	1				1812-3007-01	Skruv.....	Screw.....		
140	2				1812-2750-01	Navkapsel .....	Hub cap .....		



Utgåva Issue 2013-11		Bildnr Picture No 2765A		SNOW PRISMA SNÖSKRUV		SNOW PRISMA AUGER		Sida Page 12	
Pos. Fig.	Antal/Quantity				Art nr Part No	Benämning	Description	Sats Kit	Anmärkning Notes
	2815								
10	1				1812-2635-01	Snöskruv .....	Auger assy.....		Inkl. pos 10B-10F Inkl. pos 10D
10B	1				1812-2503-01	Gummiskärsats .....	Auger flight kit .....		
10D	12				1812-2652-01	Skruv.....	Screw.....		
10E	1				9743-3521-32	Mutter .....	Nut.....		
10F	1				9988-3538-12	Skruv.....	Screw.....		
20	2				1812-2559-01	Lagerhållare.....	Bearing retainer.....		
30	6				1812-2619-01	Skruv.....	Screw.....		
40	2				1812-2373-01	Kullager .....	Ball bearing .....		
50	1				9988-3619-16	Skruv.....	Screw.....		
60	1				1812-2560-01	Lagerlock.....	Bearing cap .....		
70	1				1812-2660-01	Bricka .....	Washer.....		

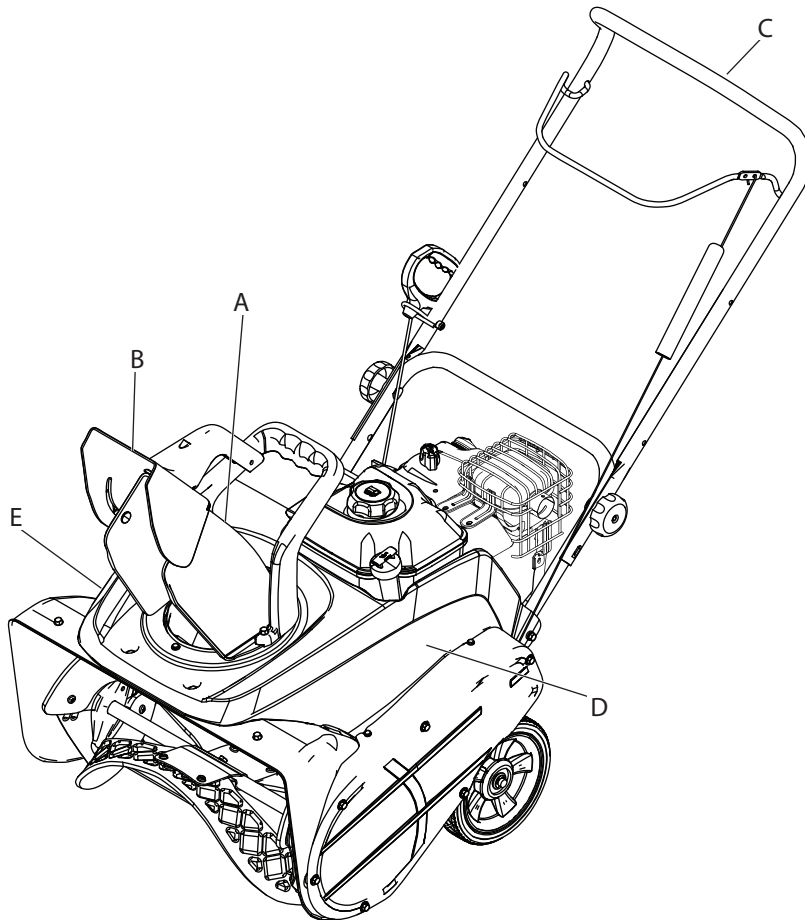


Utgåva Issue 2013-11		Bildnr Picture No 2855		SNOW PRISMA UTKASTROTATION		SNOW PRISMA CHUTE ROTATION		Sida Page 14	
Pos. Fig.	Antal/Quantity				Art nr Part No	Benämning	Description	Sats Kit	Anmärkning Notes
	2815								
10	1				1812-2556-01	Ringdrev-utkastrot.....	Chute rotation gear.....		
20	1				1812-2570-01	Platta-utkast .....	Chute mounting plate.....		
30	1				1812-2571-01	Hållare-ringdrev .....	Chute gear retainer.....		
40	2				1812-2618-01	Skruv.....	Screw.....		
50	1				1812-2907-01	Block .....	Block stop .....		
60	1				1812-2906-01	Fjäder.....	Spring.....		
70	1				1812-2257-01	Skruv.....	Screw.....		
80	1				1812-2619-01	Skruv.....	Screw.....		





Utgåva Issue 2013-11		Bildnr Picture No 2856		SNOW PRISMA UTKAST		SNOW PRISMA CHUTE		Sida Page 16	
Pos. Fig.	Antal/Quantity				Art nr Part No	Benämning	Description	Sats Kit	Anmärkning Notes
	2815								
10	1				1812-2923-01	Skruvsats.....	Parts bag.....		Incl. Pos 10A
10A	3				1812-2749-01	Skruv.....	Screw.....		
20	1				1812-2912-01	Utkast kpl.....	Chute assy.....		Incl. 20A-20B
20A	1				1812-2977-01	Ansatsbult.....	Bolt.....		
20B	1				1812-2361-01	Vingmutter.....	Wingnut.....		
30	1				1812-2911-01	Handtag.....	Handle.....		



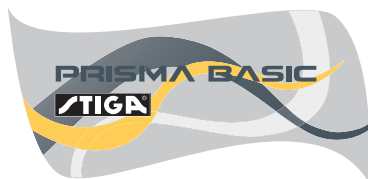
A



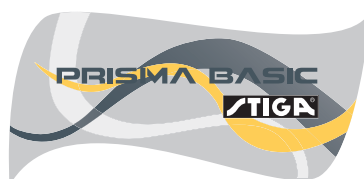
B



C



D



E



F



Utgåva Issue 2013-11		Bildnr Picture No 2857		SNOW PRISMA DEKALER		SNOW PRISMA LABELS		Sida Page 18	
Pos. Fig.	Antal/Quantity				Art nr Part No	Benämning	Description	Sats Kit	Anmärkning Notes
	2815								
1	1				1812-2700-02	Dekalsats.....	Label kit .....		Incl. A-I