

Genuine Spare Parts

www.stiga.com

SNOW PATROL

includes:

18-2859-31 Snow Patrol

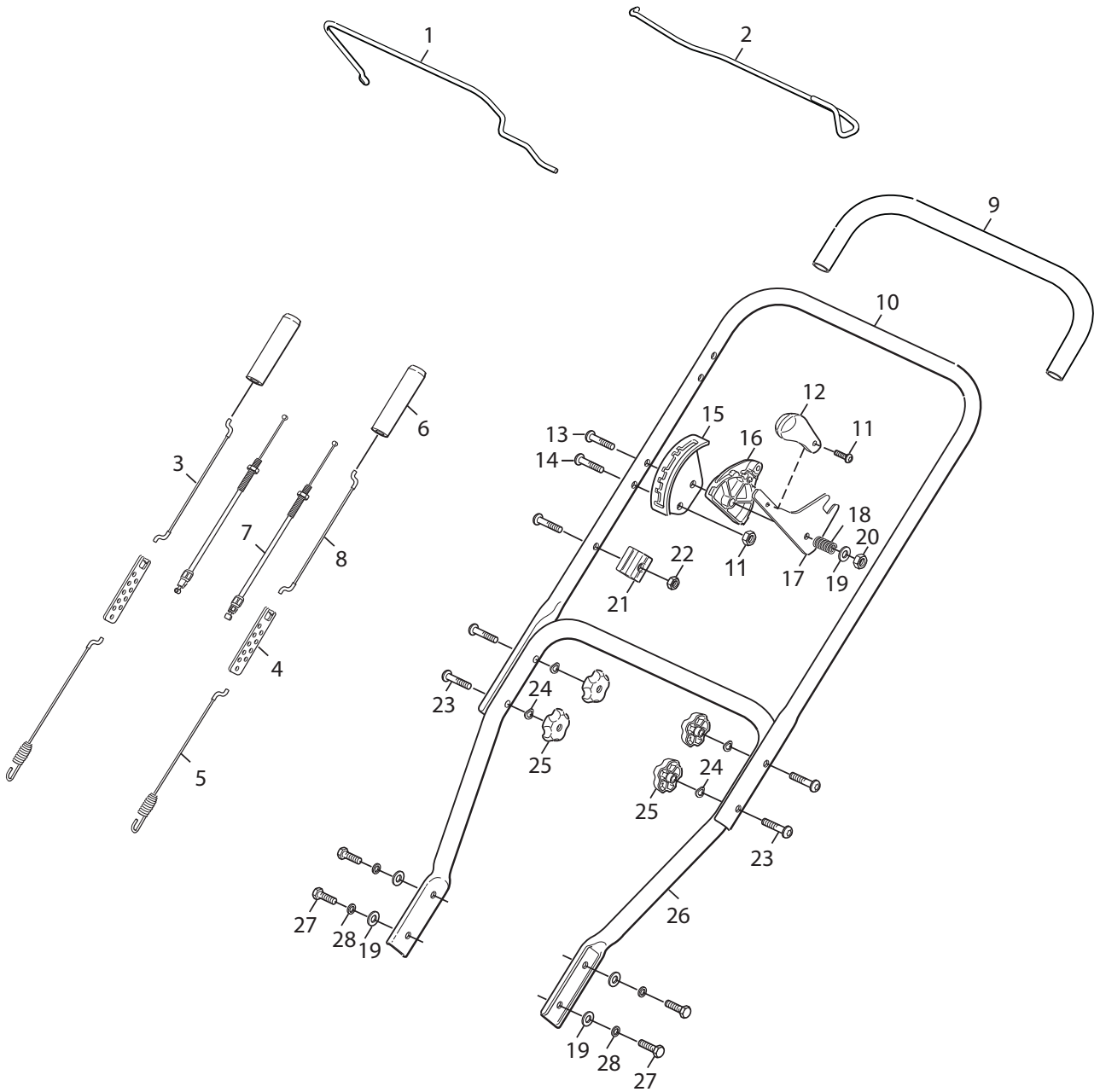
18-2859-91 Snow Patrol (black line)

- Use GLOBAL GARDEN PRODUCT Genuine Spare Parts specified in the parts list for repair and/or replacement.
- The contents described in the parts list may change due to improvement.
- The drawings of the spare parts are only indicative and might not represent the part in question exactly.
- The indications "right" - "left" - "front" - "rear" refer to the position of the operator when using the machine.
- When placing orders of parts for repair and/or replacement, make sure that the illustrated parts list is the one applying to the machine's year of manufacture, as shown on the identification plate attached to the machine.

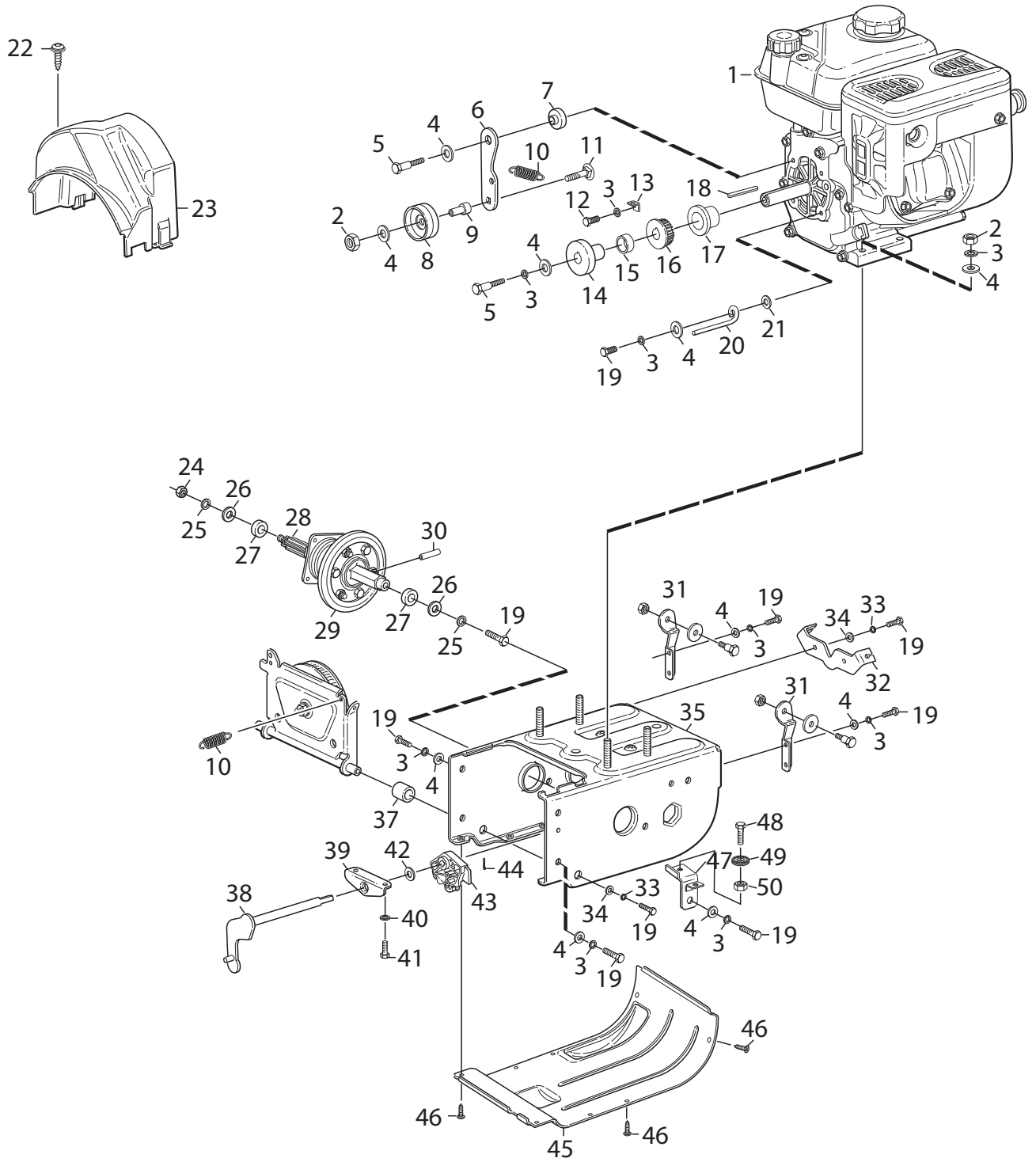
COPYRIGHT by GLOBAL GARDEN PRODUCTS

All rights reserved. No part of this material may be reproduced or transmitted, in any form or by any means, electronic or mechanical, including photocopying, recording or by any information storage and retrieval system, without permission in writing from GLOBAL GARDEN PRODUCTS.

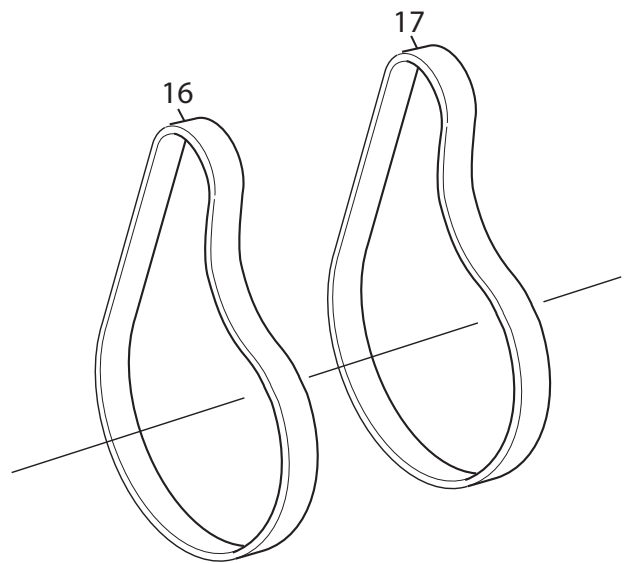
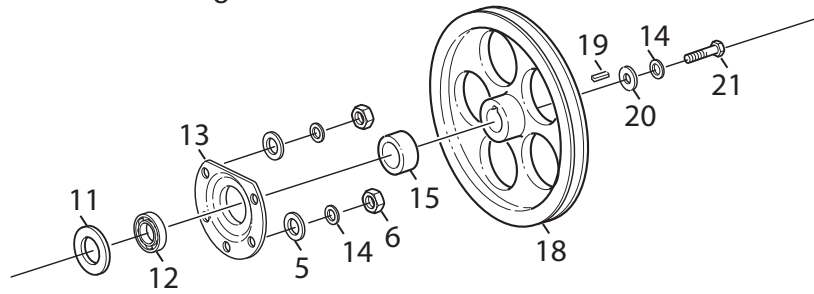
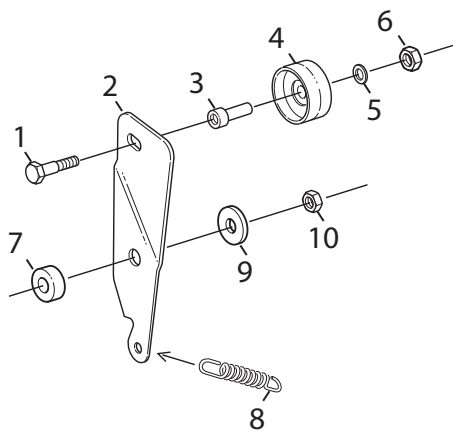




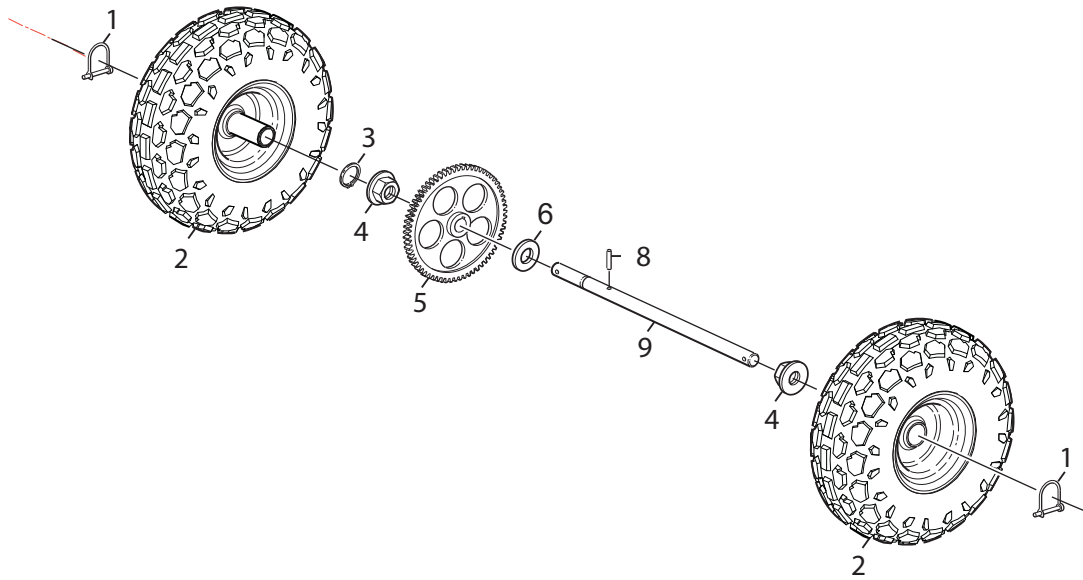
Utgåva Issue 2013-11		Bildnr Picture No 2861		SNOW PATROL STYRE REGLAGE		SNOW PATROL HANDLE CONTROLS		Sida Page 2	
Pos. Fig.	Antal/Quantity			Art nr Part No	Benämning	Description	Sats Kit	Anmärkning Notes	
	2859 -31	2859 -91							
1	1	1		1811-2855-01	Reglagebygel-snöskruv	Auger-control			
2	1	1		1811-2856-01	Reglagebygel-motor	Drive control			
3	1	1		1811-2851-01	Reglagewire-övre	Auger cable-upper			
4	2	2		1811-2850-01	Platta	Plate			
5	2	2		1811-2849-01	Reglagewire-undre	Control cable-lower			
6	2	2		1811-2854-01	Kabelrör	Cable pipe			
7	2	2		1811-2852-01	Växelwire	Gear cable			
8	1	1		1811-2853-01	Gaswire	Drive control cable			
9	1	1		1811-2857-01	Gummimuff	Rubber sleeve			
10	1	1		1811-2858-01	Styre-överdel	Handle-upper			
11	1	1		1811-2859-01	Skruv	Screw			
12	1	1		1811-2860-01	Handtag	Grip			
13	1	1		1811-2861-01	Vagnsbult	Bolt			
14	1	1		1811-2862-01	Vagnsbult	Bolt			
15	1	1		1811-2864-01	Fäste	Bracket			
16	1	1		1811-2865-01	Kabelfäste	Cable bracket			
17	1	1		1811-2866-01	Fäste	Bracket			
18	1	1		1811-2866-01	Fjäder	Spring			
19	5	5		1811-2752-01	Packning	Gasket			
20	2	2		1811-2760-01	Mutter	Nut			
21	1	1		1811-2863-01	Kabelklämma	Cable clamp			
22	1	1		1811-2768-01	Mutter	Nut			
23	4	4		1811-2868-01	Vagnsbult	Bolt			
24	4	4		1811-2869-01	Bricka	Washer			
25	4	4		1811-2781-01	Lås ratt	Handle knob			
26	1	1		1811-2870-01	Styre-underdel	Handle-lower			
27	5	5		1811-2791-01	Skruv	Screw			
28	4	4		1811-2751-01	Bricka	Washer			



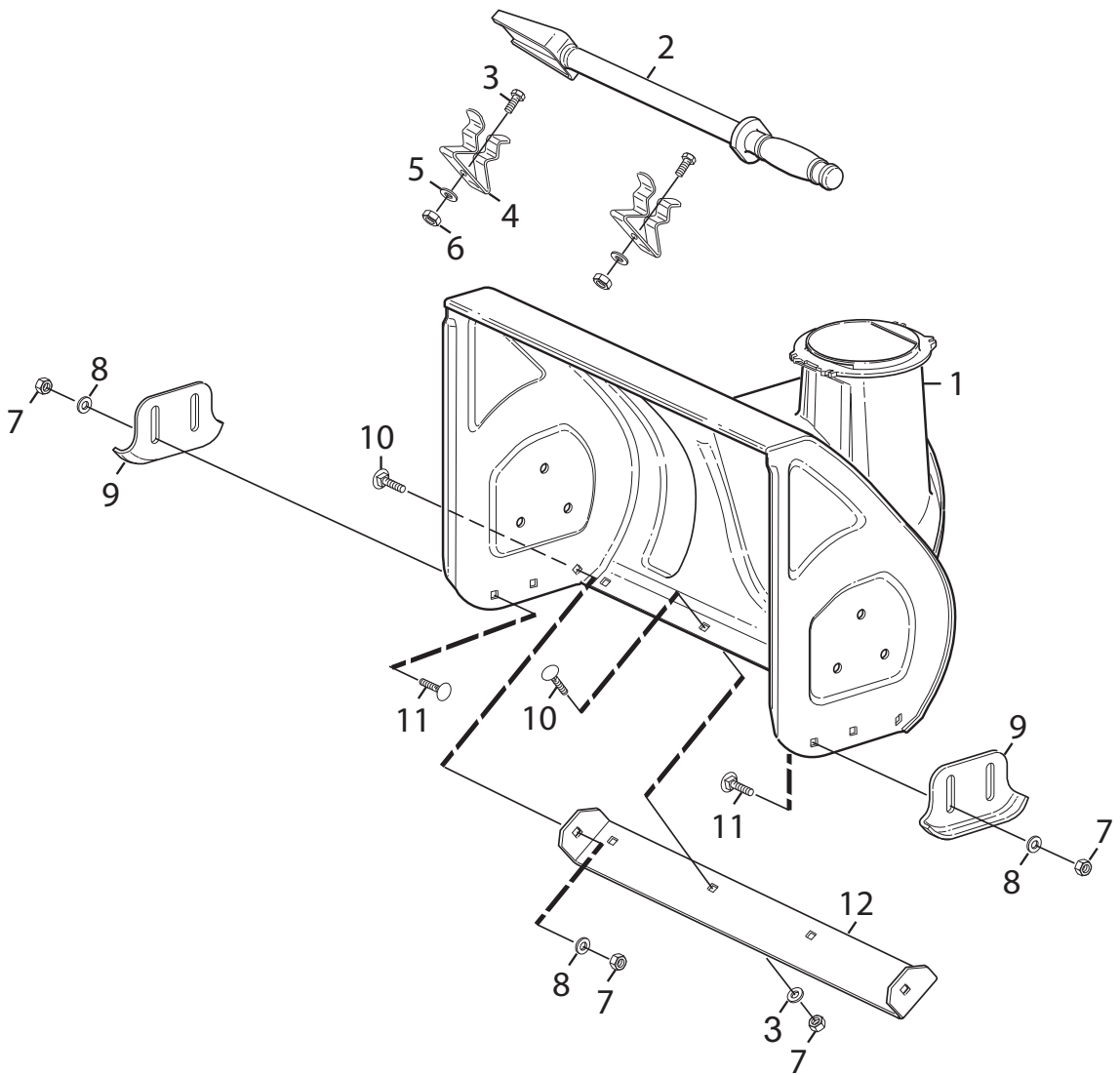
Utgåva Issue 2013-11		Bildnr Picture No 2862		SNOW PATROL RAM MOTOR		SNOW PATROL FRAME ENGINE		Sida Page 4	
Pos. Fig.	Antal/Quantity			Art nr Part No	Benämning	Description	Sats Kit	Anmärkning Notes	
	2859 -31	2859 -91							
1	1	1		1811-2836-01	Motor	Engine			
2	5	5		1811-2760-01	Mutter	Nut			
3	10	10		1811-2751-01	Bricka	Washer			
4	12	12		1811-2752-01	Bricka	Washer			
5	2	2		1811-2786-01	Ansatsbult	Shoulder bolt			
6	1	1		1811-2834-01	Fäste	Bracket			
7	1	1		1811-2835-01	Distans	Spacer			
8	1	1		1811-2841-01	Spännrulle	Idler			
9	1	1		1811-2840-01	Flänslager	Flange bearing			
10	2	2		1811-2793-01	Fjäder	Spring			
11	1	1		1811-2839-01	Ansatsbult	Shoulder bolt			
12	1	1		1811-2838-01	Skruv	Screw			
13	1	1		1811-2837-01	Fjäder	Spring			
14	1	1		1811-2843-01	Remskiva	Pulley			
15	1	1		1811-2844-01	Distans	Spacer			
16	1	1		1811-2845-01	Remskiva	Pulley			
17	1	1		1811-2846-01	Lager	Bearing			
18	1	1		1811-2842-01	Kil	Lager			
19	6	6		1811-2791-01	Skruv	Screw			
20	1	1		1811-2848-01	Remstyrning	Belt guide			
21	1	1		1811-2847-01	Bricka	Washer			
22	2	2		1811-2814-01	Skruv	Screw			
23	1	1		1811-2833-01	Remskydd	Belt cover			
24	1	1		1811-2794-01	Mutter	Nut			
25	2	2		1811-2829-01	Bricka	Washer			
26	2	2		1811-2785-01	Packning	Gasket			
27	2	2		1811-2830-01	Kullager	Ball bearing			
28	1	1		1811-2832-01	Drivaxel	Wheel drive shaft			
29	1	1		1811-2831-01	Vibrationshjul kpl	Friction wheel			
30	1	1		1811-2867-01	Sprint	Pin			
31	2	2		1811-2826-01	Fäste	Bracket			
32	1	1		1811-2825-01	Hållare	Holder			
33	1	1		1811-2807-01	Bricka	Washer			
34	1	1		1811-2769-01	Packning	Gasket			
35	1			1811-2874-01	Ram-gul	Frame-yellow			
35		1		1811-2872-01	Ram-svart	Frame-black			
36	1	1		1811-2790-01	Friction	Friction			
37	1	1		1811-2792-01	Distans	Spacer			
38	1	1		1811-2806-01	Stag	Rod			
39	1	1		1811-2808-01	Ramfäste	Frame bracket			
40	2	2		1811-2807-01	Bricka	Washer			
41	2	2		1811-2771-01	Skruv	Screw			
42	1	1		1811-2809-01	Lagerdistans	Spacer bush			
43	1	1		1811-2810-01	Drev	Gear			
44	1	1		1811-2811-01	Saxpinne	Cotter pin			
45	1	1		1811-2813-01	Ramkåpa	Frame cover			
46	8	8		1811-2814-01	Skruv	Screw			
47	1	1		1811-2812-01	Fäste	Bracket			
48	1	1		1811-2824-01	Skruv	Screw			
49	1	1		1811-2823-01	Hållare	Holder			
50	1	1		1811-2768-01	Mutter	Nut			



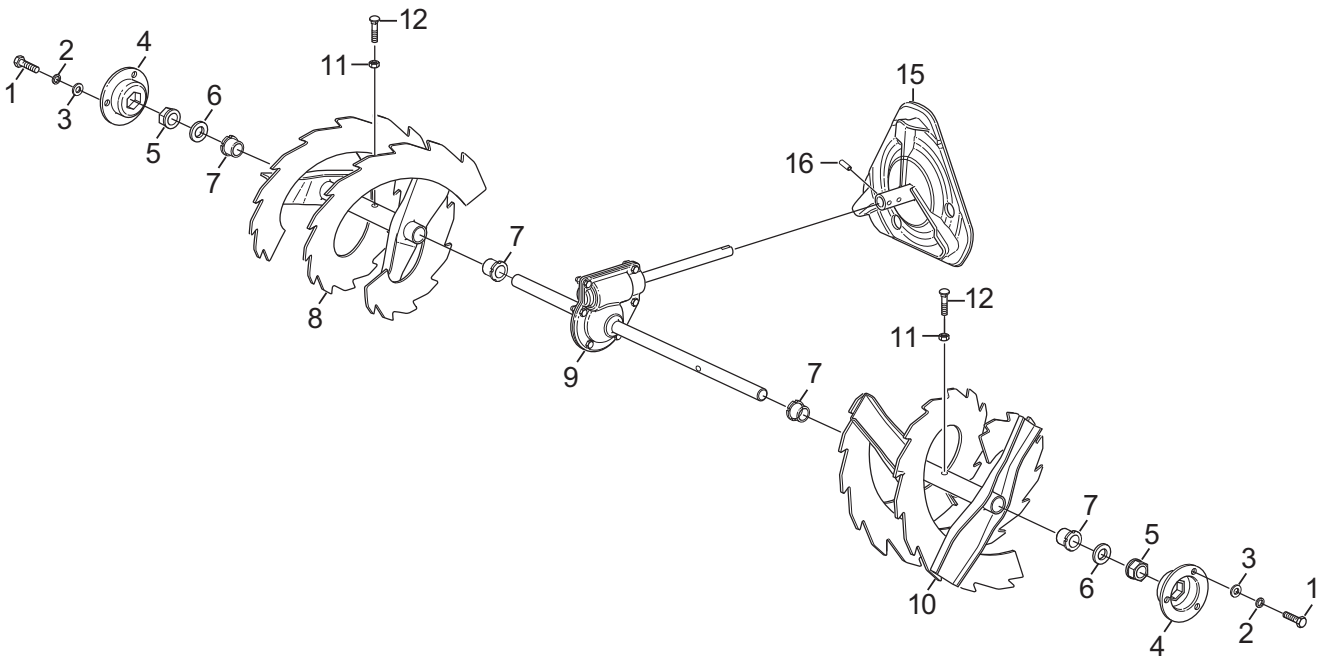
Utgåva Issue 2013-11		Bildnr Picture No 2865		SNOW PATROL DRIVNING		SNOW PATROL TRACTION DRIVE		Sida Page 6	
Pos. Fig.	Antal/Quantity			Art nr Part No	Benämning	Description	Sats Kit	Anmärkning Notes	
	2859 -31	2859 -91							
1	1	1		1811-2786-01	Ansatsbult	Shoulder bolt			
2	1	1		1811-2787-01	Stag	Strut			
3	1	1		1811-2788-01	Distans	Spacer			
4	1	1		1811-2789-01	Spännrulle	Idler			
5	2	2		1811-2752-01	Bricka	Washer			
6	2	2		1811-2760-01	Bricka	Mutter			
7	1	1		1811-2785-01	Distans	Spacer			
8	1	1		1811-2796-01	Fjäder	Spring			
9	1	1		1811-2795-01	Bricka	Washer			
10	1	1		1811-2794-01	Mutter	Nut			
11	1	1		1811-2755-01	Bricka	Washer			
12	1	1		1811-2798-01	Lager	Bearing			
13	1	1		1811-2799-01	Lagerplatta	Bearing plate			
14	2	2		1811-2751-01	Bricka	Washer			
15	1	1		1811-2800-01	Distans	Spacer			
16	1	1		1811-2801-01	Rem	Belt			
17	1	1		1811-2802-01	Rem	Belt			
18	1	1		1811-2803-01	Remskiva	Pulley			
19	1	1		1811-2804-01	Kil	Key			
20	1	1		1811-2805-01	Bricka	Washer			
21	1	1		1811-2791-01	Skruv	Screw			



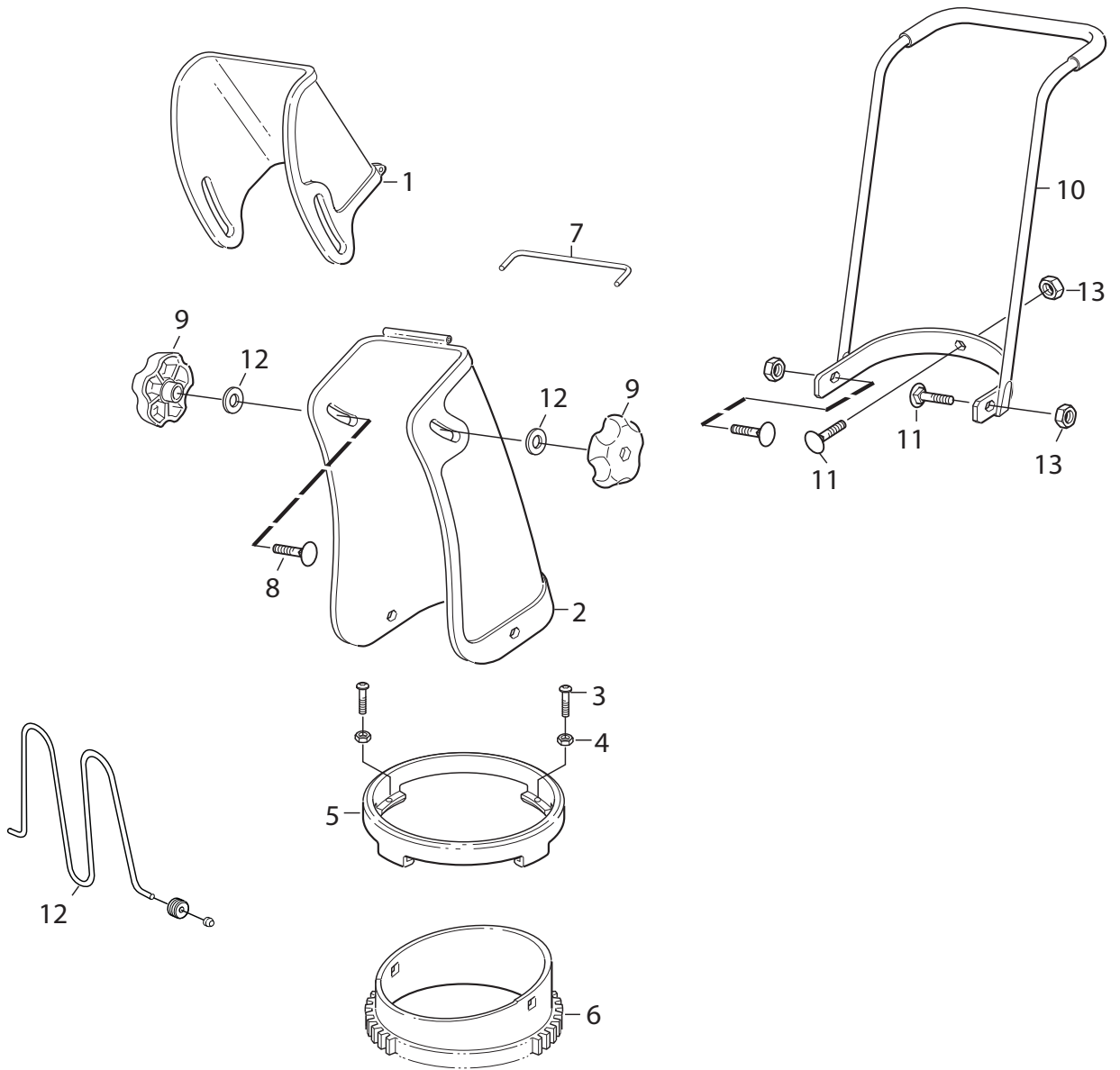
Utgåva Issue 2013-11		Bildnr Picture No 2863		SNOW PATROL HJUL		SNOW PATROL WHEELS		Sida Page 8	
Pos. Fig.	Antal/Quantity			Art nr Part No	Benämning	Description	Sats Kit	Anmärkning Notes	
	2859 -31	2859 -91							
1	2	2		1811-2822-01	Låsnål	Dowel pin.....			
2	2	2		1811-2821-01	Hjul	Wheel			
3	1	1		1811-2820-01	Segersäkring	Lock ring.....			
4	2	2		1811-2819-01	Flänslager	Flange bearing.....			
5	1	1		1811-2818-01	Drev	Gear			
6	1	1		1811-2755-01	Bricka	Washer.....			
7	1	1		1811-2817-01	Kil	Key			
8	1	1		1811-2816-01	Spännstift.....	Locating pin			
9	1	1		1811-2815-01	Hjulaxel	Wheel shaft			



Utgåva Issue 2013-11		Bildnr Picture No 2864		SNOW PATROL INMATNINGSHUS		SNOW PATROL AUGER HOUSING		Sida Page 10	
Pos. Fig.	Antal/Quantity			Art nr Part No	Benämning	Description	Sats Kit	Anmärkning Notes	
	2859 -31	2859 -91							
1	1			1811-2873-01	Inmatningshus-yellow	Auger housing assy-yellow			
1		1		1811-2870-01	Inmatningshus-svart	Auger housing assy-black..			
2	1	1		1811-2772-01	Rengörningsverktyg	Clear -out tool			
3	2	2		1811-2771-01	Skruv	Screw			
4	2	2		1811-2770-01	Fäste	Bracket			
5	2	2		1811-2769-01	Bricka	Packning			
6	2	2		1811-2768-01	Mutter	Nut			
7	4	4		1811-2760-01	Mutter	Nut			
8	4	4		1811-2752-01	Bricka	Washer			
9	2	2		1811-2767-01	Fäste	Bracket			
10	4	4		1811-2762-01	Ansatsbult	Shoulder bolt			
11	4	4		1811-2766-01	Ansatsbult	Shoulder bolt			
12	1	1		1811-2763-01	Fäste	Bracket			



Utgåva Issue 2013-11		Bildnr Picture No 2866		SNOW PATROL SNÖSKRUV		SNOW PATROL AUGER DRIVE		Sida Page 12	
Pos. Fig.	Antal/Quantity			Art nr Part No	Benämning	Description	Sats Kit	Anmärkning Notes	
	2859 -31	2859 -91							
1	6	6		1811-2750-01	Skruv.....	Screw.....			
2	6	6		1811-2751-01	Bricka	Wascher			
3	2	2		1811-2752-01	Bricka	Wascher			
4	2	2		1811-2753-01	Lagerhus	Bearing housing			
5	2	2		1811-2754-01	Lager.....	Bearing			
6	2	2		1811-2755-01	Bricka	Wascher			
7	4	4		1811-2756-01	Lager.....	Bearing			
8	1	1		1811-2757-01	Snöskruv-hö.....	Auger-RH.....			
9	1	1		1811-2758-01	Snäckväxel.....	Gear case assy			
10	1	1		1811-2759-01	Snöskruv-vä.....	Auger-LH.....			
11	2	2		1811-2760-01	Mutter	Nut.....			
12	2	2		1811-2761-01	Brytbult.....	Shear bolt			
15	1	1		1811-2764-01	Fläkt.....	Impeller			
16	1	1		1811-2765-01	Spännstift.....	Locating pin			



Utgåva Issue 2013-11		Bildnr Picture No 2867		SNOW PATROL SNÖSKRUV		SNOW PATROL AUGER DRIVE		Sida Page 14	
Pos. Fig.	Antal/Quantity			Art nr Part No	Benämning	Description	Sats Kit	Anmärkning Notes	
	2859 -31	2859 -91							
1	1	1		1811-2778-01	Utkast-övre	Discharge chute-upper			
2	1	1		1811-2777-01	Utkast	Discharge chute			
3	2	2		1811-2776-01	Skruv	Screw			
4	2	2		1811-2775-01	Mutter	Nut			
5	1	1		1811-2774-01	Hållare	Holder			
6	1	1		1811-2773-01	Ringdrev	Cute gear			
7	1	1		1811-2779-01	Stag	Strut			
8	2	2		1811-2780-01	Ansatsbult	Shoulder bolt			
9	2	2		1811-2781-01	Låsraff	Handle knob			
10	1	1		1811-2782-01	Utkastkontroll	Chute directinal chute			
11	2	2		1811-2783-01	Skruv	Screw			
12	1	1		1811-2784-01	Stag	Strut			
12	2	2		1811-2752-01	Bricka	Washer			
13	3	3		1811-2768-01	Mutter	Nut			