

Genuine Spare Parts

www.stiga.com

SNOW FLAKE/POWER Model Year 2012/2013

includes:

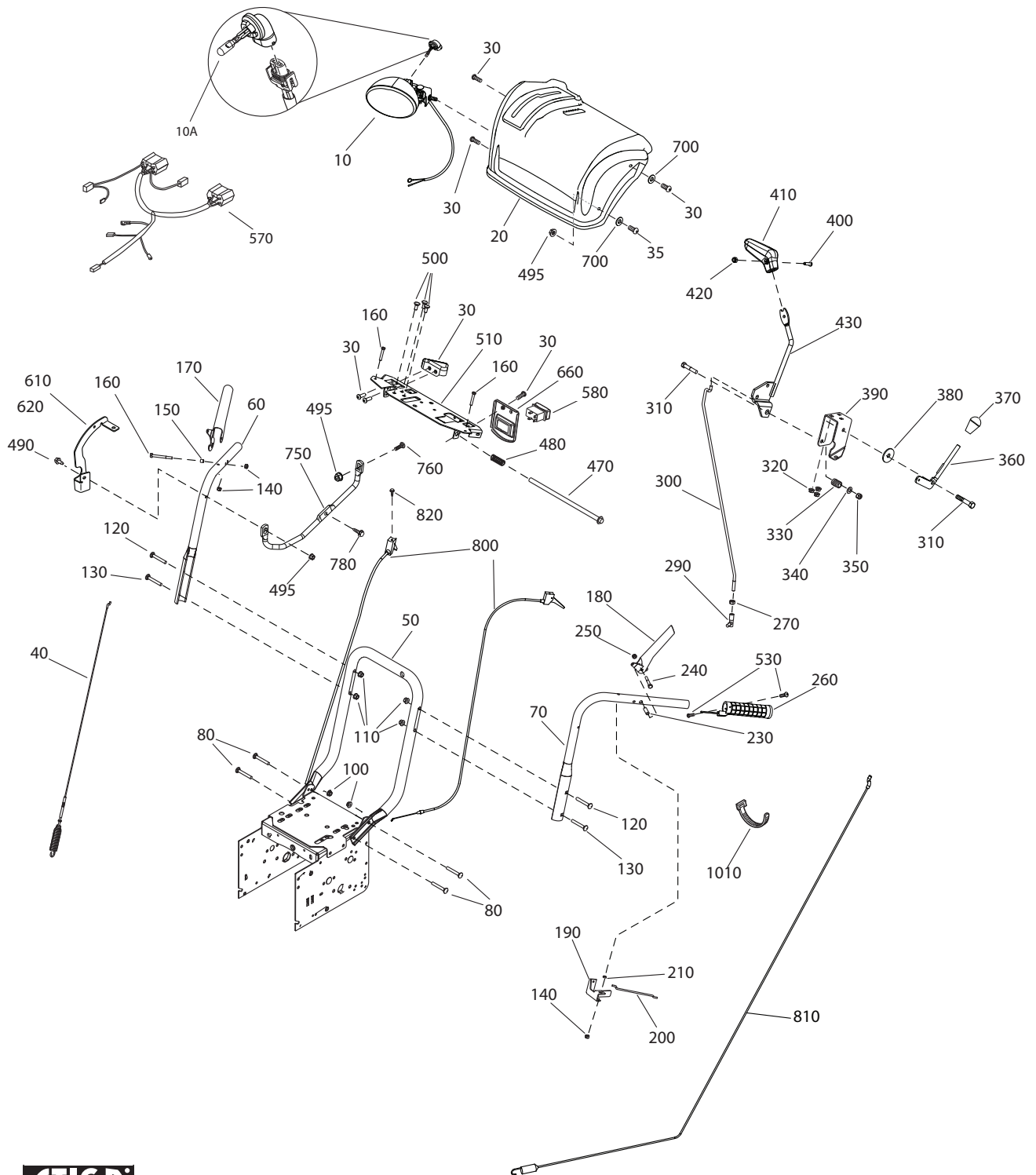
18-2829-33 Snow Flake
18-2847-33 Snow Power

- Use GLOBAL GARDEN PRODUCT Genuine Spare Parts specified in the parts list for repair and/or replacement.
- The contents described in the parts list may change due to improvement.
- The drawings of the spare parts are only indicative and might not represent the part in question exactly.
- The indications "right" - "left" - "front" - "rear" refer to the position of the operator when using the machine.
- When placing orders of parts for repair and/or replacement, make sure that the illustrated parts list is the one applying to the machine's year of manufacture, as shown on the identification plate attached to the machine.

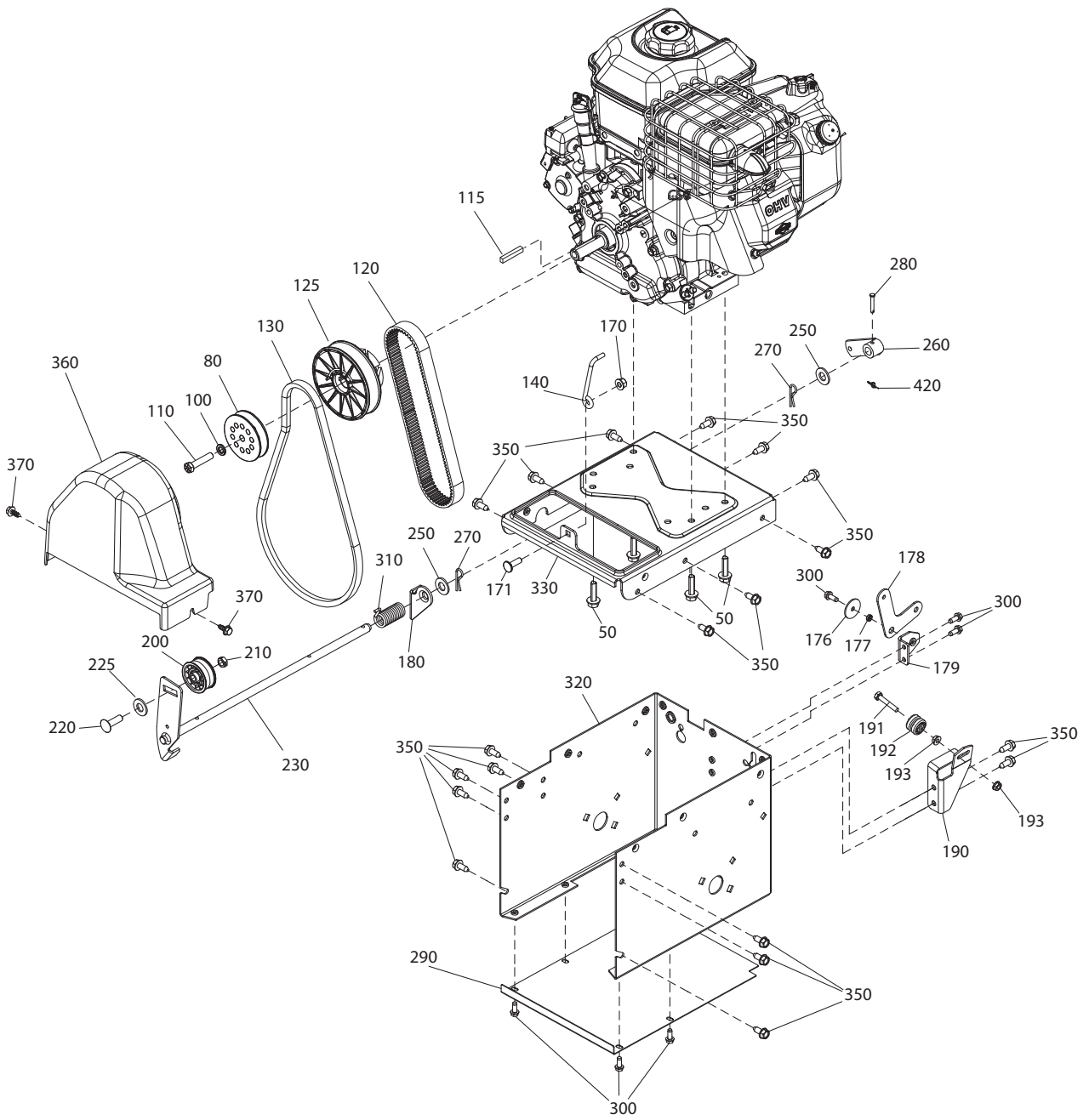
COPYRIGHT by GLOBAL GARDEN PRODUCTS

All rights reserved. No part of this material may be reproduced or transmitted, in any form or by any means, electronic or mechanical, including photocopying, recording or by any information storage and retrieval system, without permission in writing from GLOBAL GARDEN PRODUCTS.

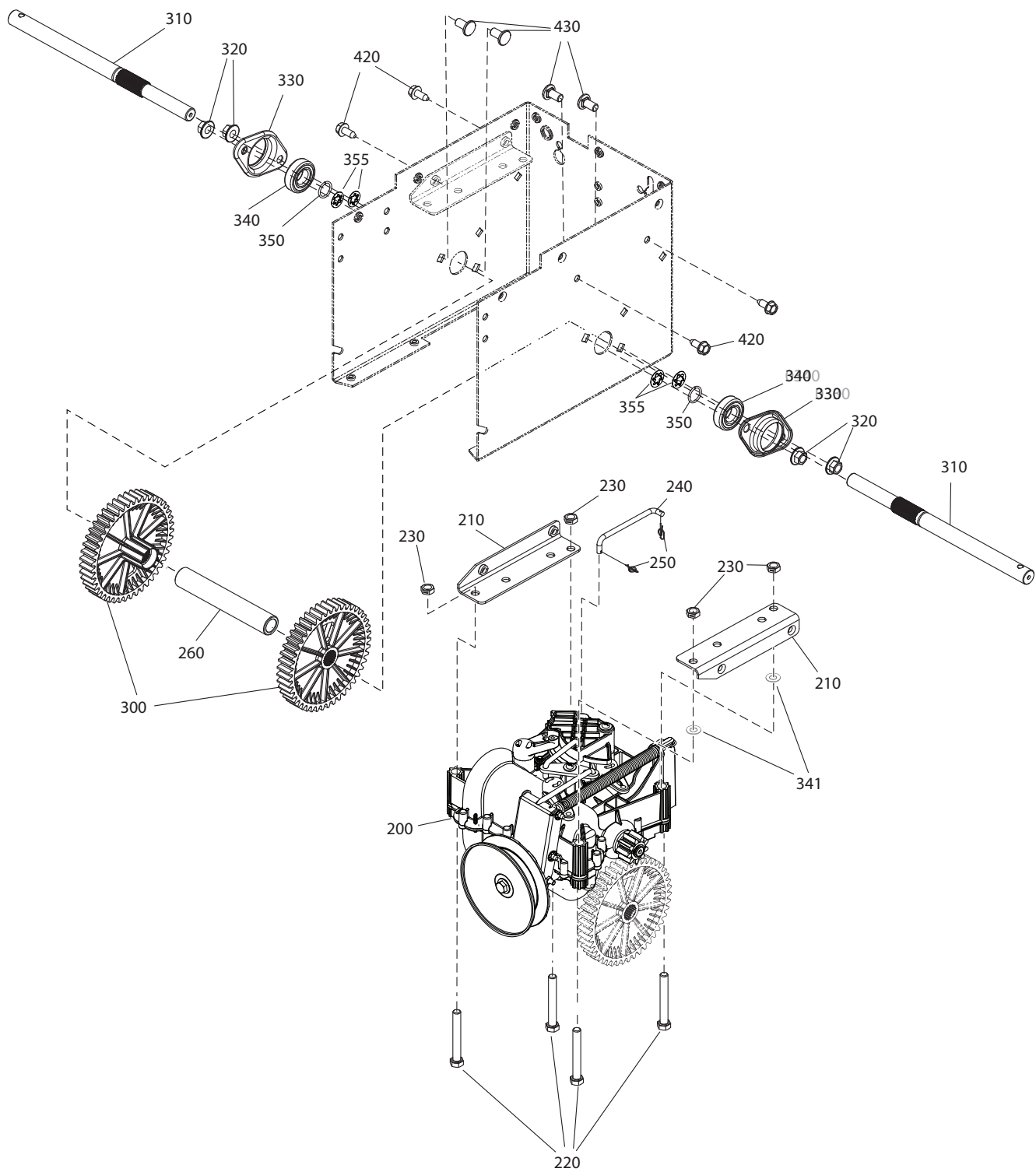




Utgåva Issue 2013-11	Bildnr Picture No 2774B		SNOW FLAKE/POWER STYRE REGLAGE	SNOW FLAKE/POWER HANDLE CONTROLS	Sida Page 2			
Pos. Fig.	Antal/Quantity			Art nr Part No	Benämning	Description	Sats Kit	Anmärkning Notes
	2829	2847						
10	1	1		1812-2548-01	Strålkastare kpl	Headlight assy		
10A	1	1		1812-1909-01	Halogenlampa	Halogene bulb		
20	1	1		1812-2628-01	Panel	Panel cover		
30	6	6		1812-2644-01	Skruv	Screw		
35	1	1		1812-2265-01	Skruv	Screw		
40	1	1		1812-2542-01	Reglagewire-snöskruv	Drive cable-auger		
50	1	1		1812-2519-01	Styre-undre	Handle-lower		
60	1	1		1812-2540-01	Styre-övre, hö	Handle-upper, RH		
70	1	1		1812-2541-01	Styre-övre, vä	Handle-upper, LH		
80	4	4		1812-2545-01	Vagnsbult	Carriage bolt		
100	4	4		9795-3631-02	Mutter	Nut		
110	6	6		9743-3621-32	Mutter	Nut		
120	2	2		1812-2479-01	Vagnsbult	Carriage bolt		
130	2	2		1812-2476-01	Vagnsbult	Carriage bolt		
140	4	4		9743-3521-32	Mutter	Nut		
150	2	2		1812-2148-01	Distans	Spacer		
160	4	4		9988-3545-12	Skruv	Screw		
170	1	1		1812-2606-01	Koppl.reglage-hö	Clutch lever-RH		
180	1	1		1812-2605-01	Koppl.reglage-vä	Clutch lever-LH		
190	1	1		1812-2231-01	Fäste	Bracket		
200	1	1		1812-2404-01	Stång	Hold down rod		
210	1	1		1812-2206-01	Distans	Spacer		
230	2	2		1812-2412-01	Distans	Stepped spacer		
240	2	2		1812-3072-01	Ansatsbult	Shoulder bolt		
250	2	2		1812-2256-01	Mutter	Nut		
260	2	2		1812-2549-01	Handtag	Hand grip		
270	1	1		9794-5131-02	Mutter	Nut		
290	1	1		1812-2562-01	Kulled	Ball joint		
300	1	1		1812-2529-01	Reglagestång	Speed select rod		
310	2	2		9988-3751-12	Skruv	Screw		
320	3	3		9727-3641-22	Mutter	Nut		
330	2	2		1812-3012-01	Fjäder	Spring		
340	2	2		9699-0029-02	Planbricka	Flat washer		
350	2	2		9743-3721-32	Mutter	Nut		
360	1	1		1812-2725-01	Spak-deflektor	Lever-deflector contr.		
370	1	1		1812-2182-01	Knopp	Knob		
380	1	1		1812-2648-01	Distans	Spacer		
390	1	1		1812-2417-01	Fäste	Controls brkt		
400	1	1		1812-2481-01	Skruv	Screw		
410	1	1		1812-2379-01	Knopp	Knob		
420	2	2		1812-2256-01	Mutter	Nut		
430	1	1		1812-2511-01	Regl.spak-hastighet	Speed lever		
470	1	1		1812-2718-01	Stång & fjäder	Rod & spring		
480	1	1		1812-2268-01	Tryckfjäder	Comp spring		
490	2	2		9988-3545-12	Skruv	Screw		
495	4	4		9743-3521-32	Mutter	Nut		
500	3	3		9899-3622-16	Skruv	Screw		
510	1	1		1812-2575-01	Panelfäste	Dash support		
530	4	4		1812-2624-01	Skruv	Screw		
570	1	1		1812-3014-01	Kablage	Wiring harness		
575	1	1		1812-2931-01	Kablage	Wiring harness		
580	1	1		1812-2932-01	Brytare	Switch		
610	1	1		1812-2621-01	Fäste-hö	Mounting brkt-RH		
620	1	1		1812-2620-01	Fäste-vä	Mounting brkt-LH		
640	1	1		1812-2573-01	Brytarfäste-hö	Chute rotation pod-RH		
700	3	3		9699-0026-02	Planbricka	Flat washer		
750	1	1		1812-2543-01	Stag	Shift brace		
760	1	1		1812-2486-01	Vagnsbult	Carriage bolt		
780	1	1		1812-2474-01	Skruv	Screw		
800	2	2		1812-2538-01	Wire-styrkontroll	Cable-steering contr.		
810	1	1		1812-2539-01	Wire-drivning	Cable-traction drive		
820	2	2		1812-2650-01	Skruv	Screw		
1010	4	4		9579-0003-00	Buntband	Cable holder		



Utgåva Issue 2013-11	Bildnr Picture No 2775A		SNOW FLAKE/POWER RAM MOTOR	SNOW FLAKE/POWER FRAME ENGINE	Sida Page 4			
Pos. Fig.	Antal/Quantity			Art nr Part No	Benämning	Description	Sats Kit	Anmärkning Notes
	2829	2847						
50	4	4		9955-3732-12	Skruv.....	Screw.....		
80	1	1		1812-2537-01	Remskiva.....	Belt pulley.....		
100	1			9683-0030-02	Låsbricka.....	Lock washer.....		5/16"
100		1		9683-0035-02	Låsbricka.....	Lock washer.....		3/8"
110	1			9987-5145-12	Skruv.....	Screw.....		5/16-24x1-3/4"
110		1		9987-5245-12	Bult.....	Bolt.....		3/8-24x1-3/4"
115	1	1		1812-2645-01	Kil.....	Key.....		
120	1	1		1812-2515-01	Rem.....	Belt.....		
125	1	1		1812-2507-01	Remskiva.....	Belt pulley.....		
130	1	1		1812-9020-01	Drivrem.....	Drive belt.....		
140	1	1		1812-2532-01	Remstyrning.....	Belt stop.....		
170	1	1		9795-3631-02	Mutter.....	Nut.....		
171	1	1		9899-3625-16	Skruv.....	Screw.....		
176	1	1		1812-2643-01	Bricka.....	Washer.....		
177	1	1		1812-2206-01	Distans.....	Spacer.....		
178	1	1		1812-2527-01	Arm.....	Bell crank.....		
179	1	1		1812-2526-01	Fäste-nedre.....	Bracket-lower.....		
180	1	1		1812-2522-01	Stödfäste-spännarm.....	Supp.brkt-auger idler.....		
190	1	1		1812-2530-01	Fäste-ledrulle.....	Bracket-guide wheel.....		
191	1	1		9988-3538-12	Skruv.....	Screw.....		
192	1	1		1812-1205-01	Spole.....	Spool.....		
193	2	2		9743-3521-32	Mutter.....	Nut.....		
200	1	1		1812-2077-01	Spännrulle.....	Tension roller.....		
210	1	1		9743-3721-32	Mutter.....	Nut.....		
220	1	1		9899-3732-16	Skruv.....	Screw.....		
225	1	1		9699-0035-02	Planbricka.....	Flat washer.....		
230	1	1		1812-2521-01	Spännarm-snöskruv.....	Auger idler.....		
250	2	2		9699-0038-02	Planbricka.....	Flat washer.....		
260	1	1		1812-2804-01	Reglagearm.....	Control arm.....		
270	2	2		1812-2813-01	Låsnål.....	Hair pin.....		
280	1	1		1812-2407-01	Sprint.....	Clevis pin.....		
290	1	1		1812-2516-01	Bottenplåt.....	Bottom panel.....		
300	7	7		1812-2250-01	Skruv.....	Screw.....		
310	1	1		1812-2531-01	Vridfjäder.....	Torsional spring.....		
320	1	1		1812-2514-01	Ram.....	Frame box.....		
330	1			1812-3075-01	Motorplatta.....	Plate, engine mount.....		
330		1		1812-3076-01	Motorplatta.....	Plate, engine mount.....		
350	19	19		1812-2141-01	Skruv.....	Screw.....		
360	1	1		1812-2622-01	Remskydd.....	Belt cover.....		
370	2	2		1812-2748-01	Skruv.....	Screw.....		
420	1	1		1812-2281-01	Låsnål.....	Cotter pin.....		



Utgåva Issue 2013-11		Bildnr Picture No 2776A		SNOW FLAKE/POWER DRIVNING		SNOW FLAKE/POWER TRANSMISSION		Sida Page 6	
Pos. Fig.	Antal/Quantity			Art nr Part No	Benämning	Description	Sats Kit	Anmärkning Notes	
	2829	2847							
200	1	1		1812-2508-01	Transmission kpl.....	Transmission assy			
210	2	2		1812-2518-01	Fäste.....	Bracket			
220	4	4		1812-2658-01	Skruv.....	Cap screw			
230	4	4		9743-3721-32	Mutter	Nut.....			
240	1	1		1812-2528-01	Reglagestång.....	Speed select rod			
250	2	2		1812-2281-01	Låsnål	Cotter pin			
260	1	1		1812-2524-01	Stödrör	Support tube			
300	2	2		1812-2525-01	Drev	Drive gear.....			
310	2	2		1812-2523-01	Axel	Axle			
320	4	4		1132-0695-01	Mutter	Nut.....			
330	2	2		1812-2408-01	Lagerhållare.....	Bearing retainer.....			
340	2	2		1812-1920-01	Kullager	Ball bearing.....			
341	4	4		9695-0010-00	Schims	Washer.....			
350	2	2		1812-2546-01	Låsring	Retaining ring.....			
355	4	4		1812-2647-01	Låsbricka	Bolt retainer			
420	4	4		1812-2141-01	Skruv.....	Screw.....			
430	4	4		1812-2544-01	Vagnsbult	Carriage bolt.....			

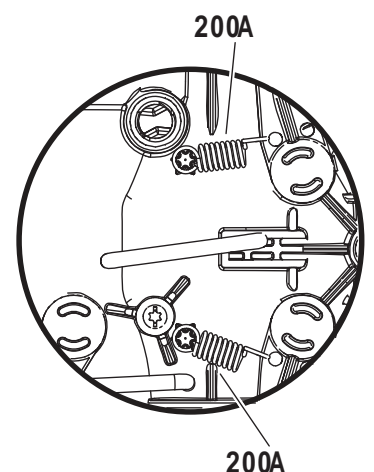
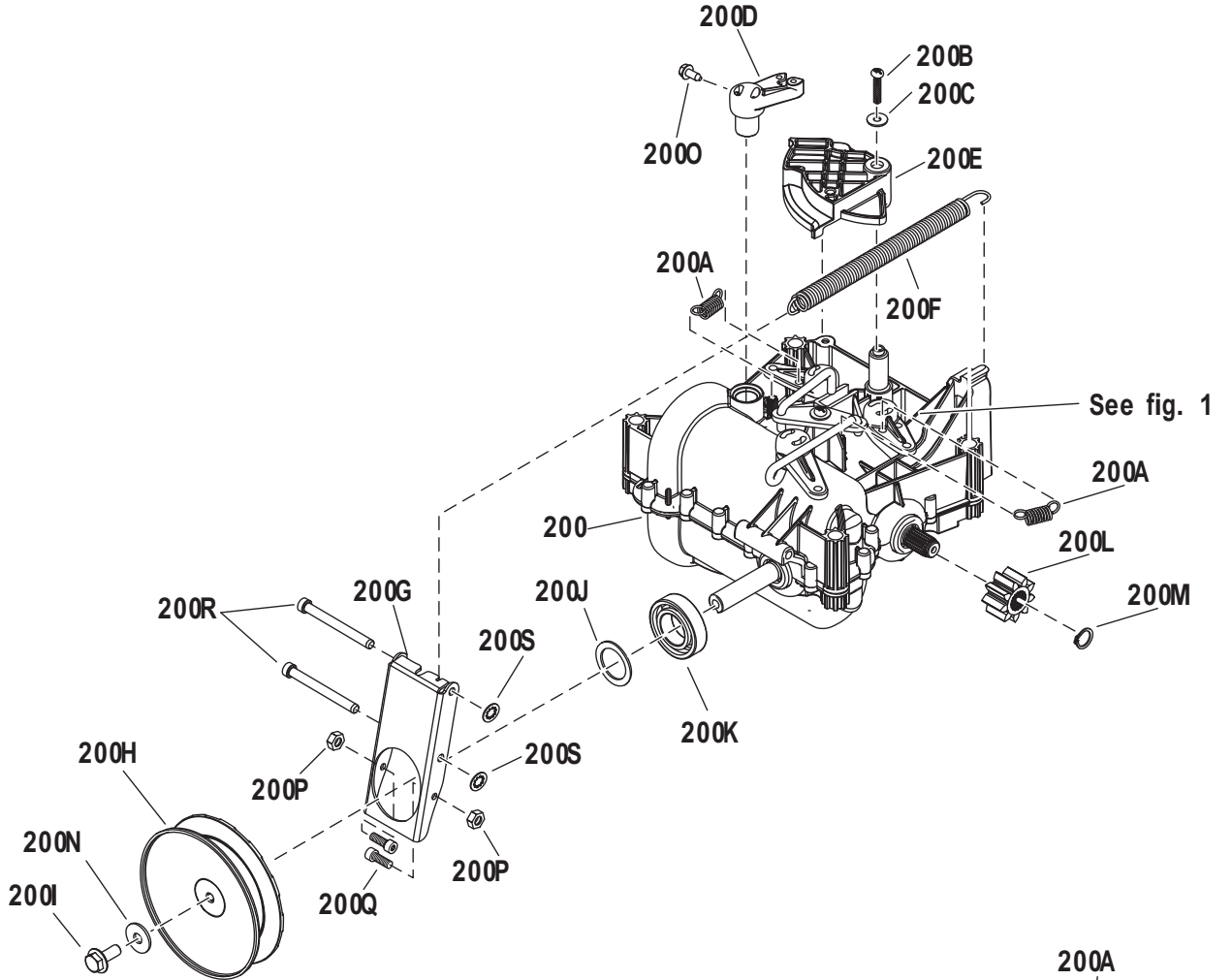
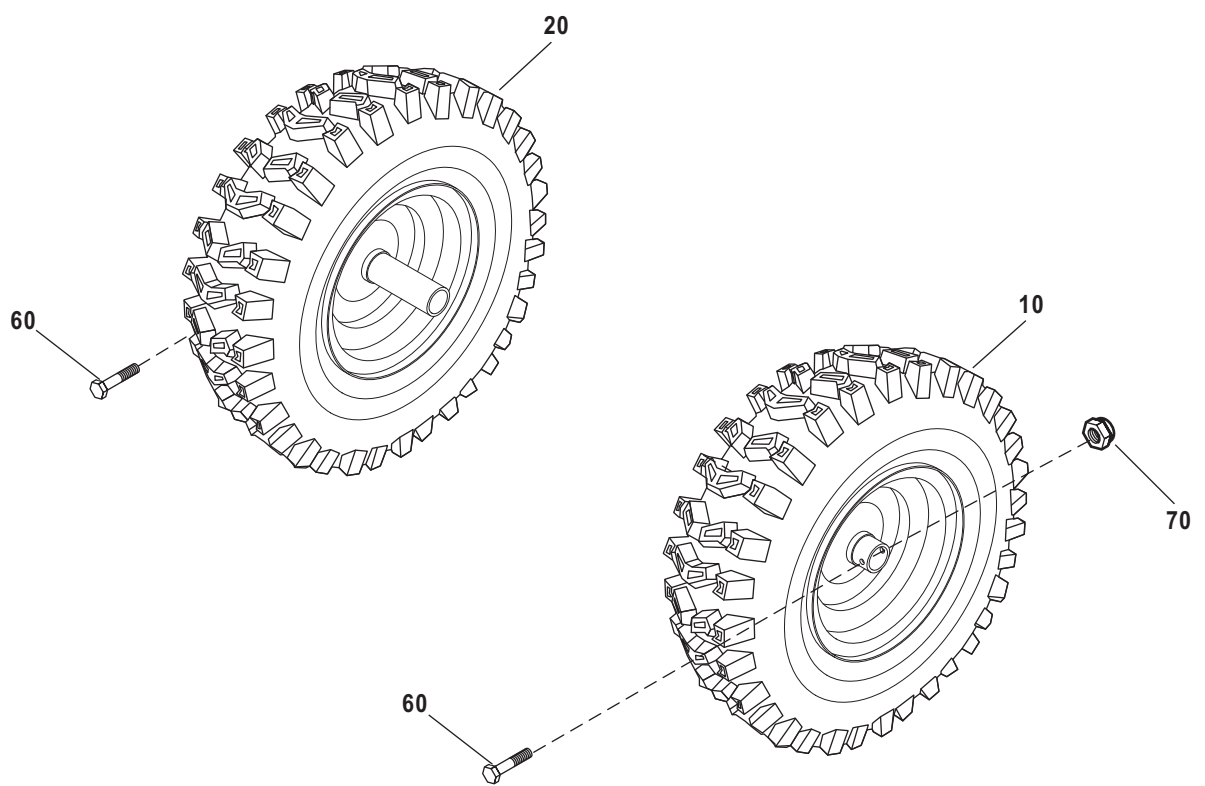
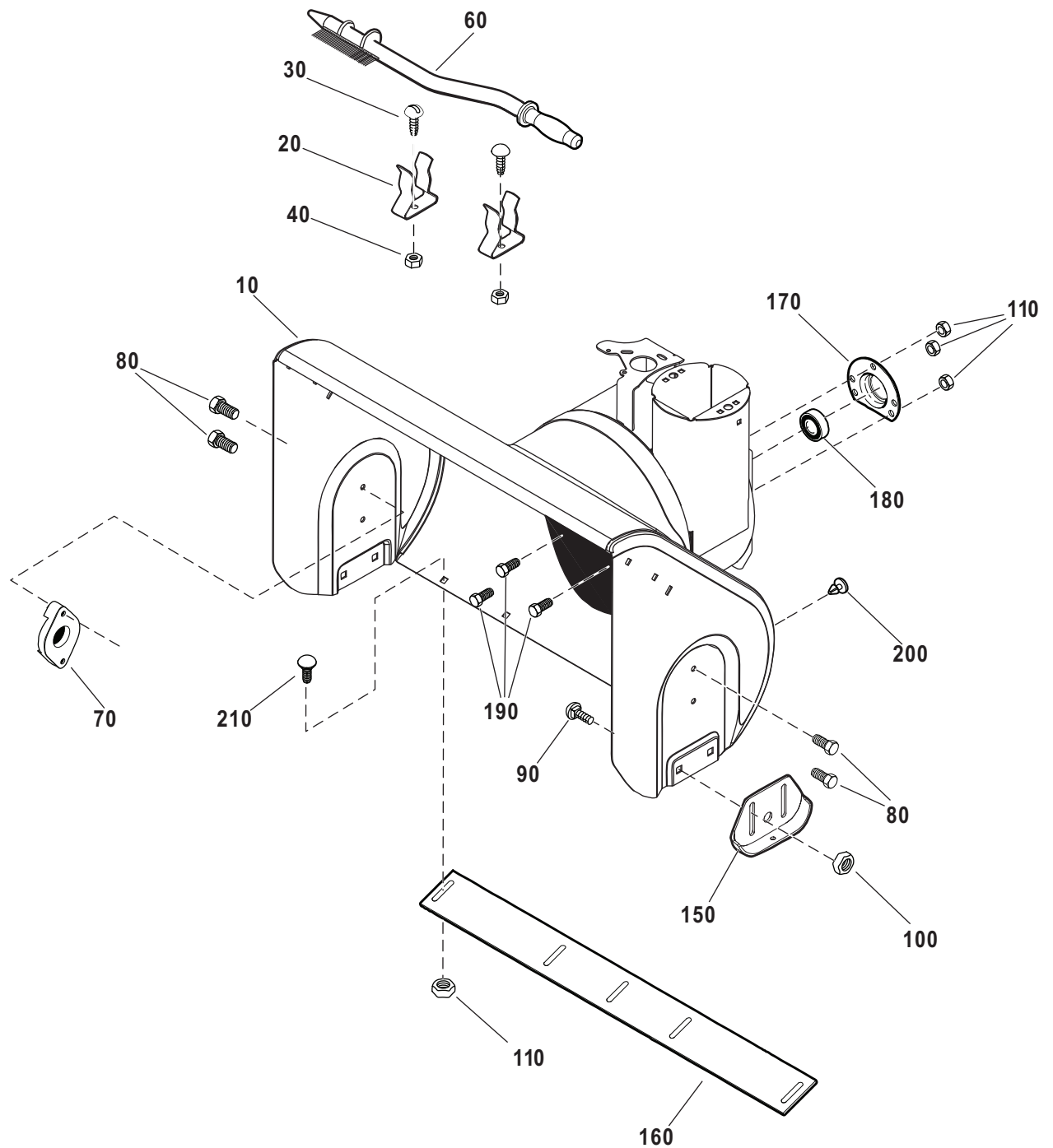


Fig. 1
Top View of Transmission

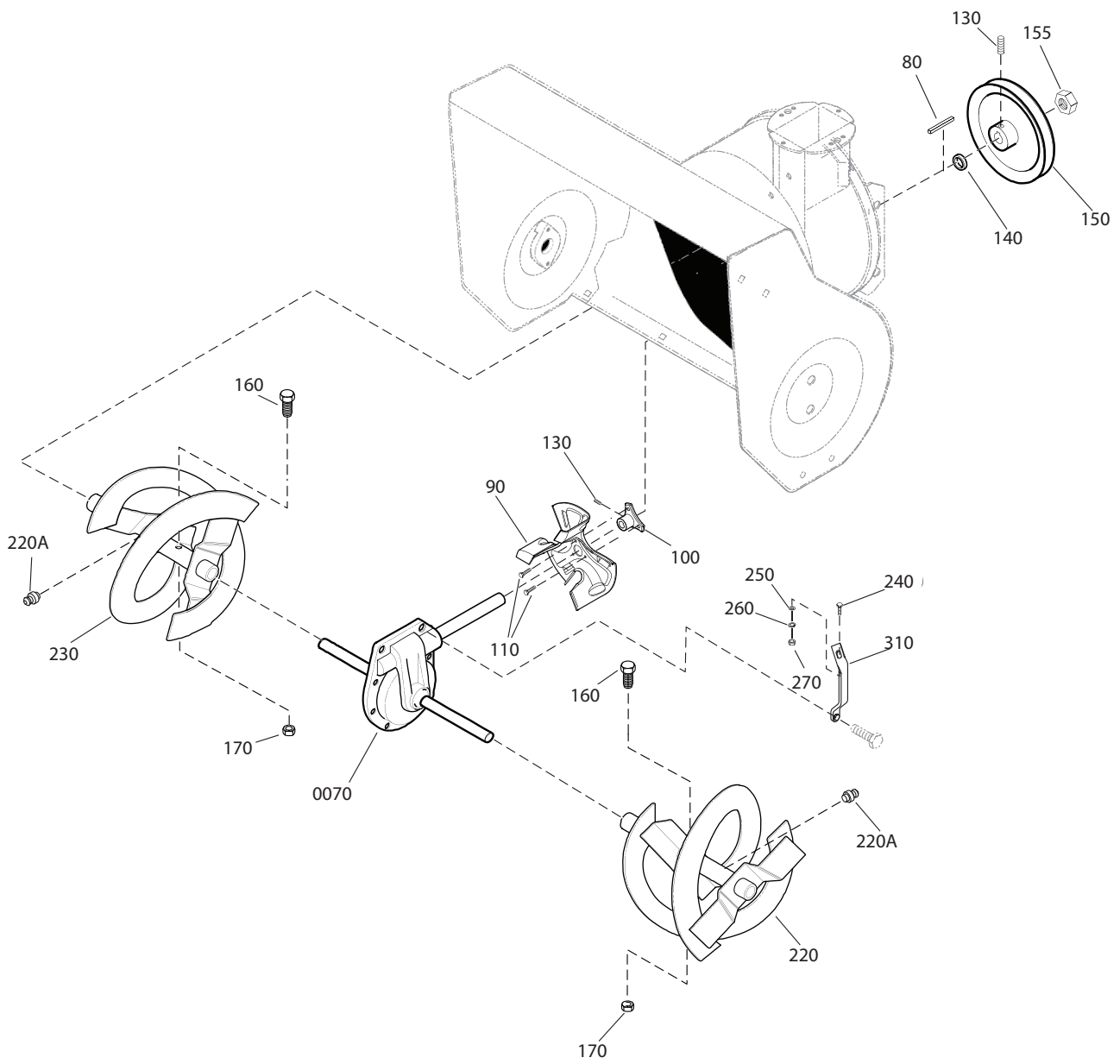
Utgåva Issue 2013-11		Bildnr Picture No 2777		SNOW FLAKE/POWER TRANSMISSION KPL RESERVDELAR		SNOW FLAKE/POWER TRANSMISSION ASSY SERVICE PARTS		Sida Page 8	
Pos. Fig.	Antal/Quantity				Art nr Part No	Benämning	Description	Sats Kit	Anmärkning Notes
	2829	2847							
200	1	1			1812-2508-01	Transmission kpl.....	Transmission assy		
200A	2	2			1812-2596-01	Fjäder	Traction spring		
200B	1	1			1812-2595-01	Skruv	Screw		
200C	1	1			1812-2591-01	Bricka	Washer		
200D	1	1			1812-2592-01	Arm	Lever		
200E	1	1			1812-2594-01	Reglagekam	Control cam		
200F	1	1			1812-2590-01	Fjäder	Variator spring		
200G	1	1			1812-2583-01	Arm	Shift arm		
200H	1	1			1812-2582-01	Remskiva	Pulley		
200I	1	1			1812-2580-01	Skruv-vä	Screw-left		
200J	1	1			1812-2588-01	Bricka	Washer		
200K	1	1			1812-2589-01	Kullager	Ball bearing		
200L	2	2			1812-2598-01	Drev	Gear		
200M	2	2			1812-2597-01	Hållare-drev	Retainer		
200N	1	1			1812-2581-01	Bricka	Washer		
200O	4	4			1812-2593-01	Skruv	Screw		
200P	2	2			1812-2584-01	Mutter	Nut		
200Q	2	2			1812-2585-01	Insexbult	Allen bolt		
200R	2	2			1812-2586-01	Sprint	Pin		
200S	4	4			1812-2587-01	Starlockbricka	Starlock washer		



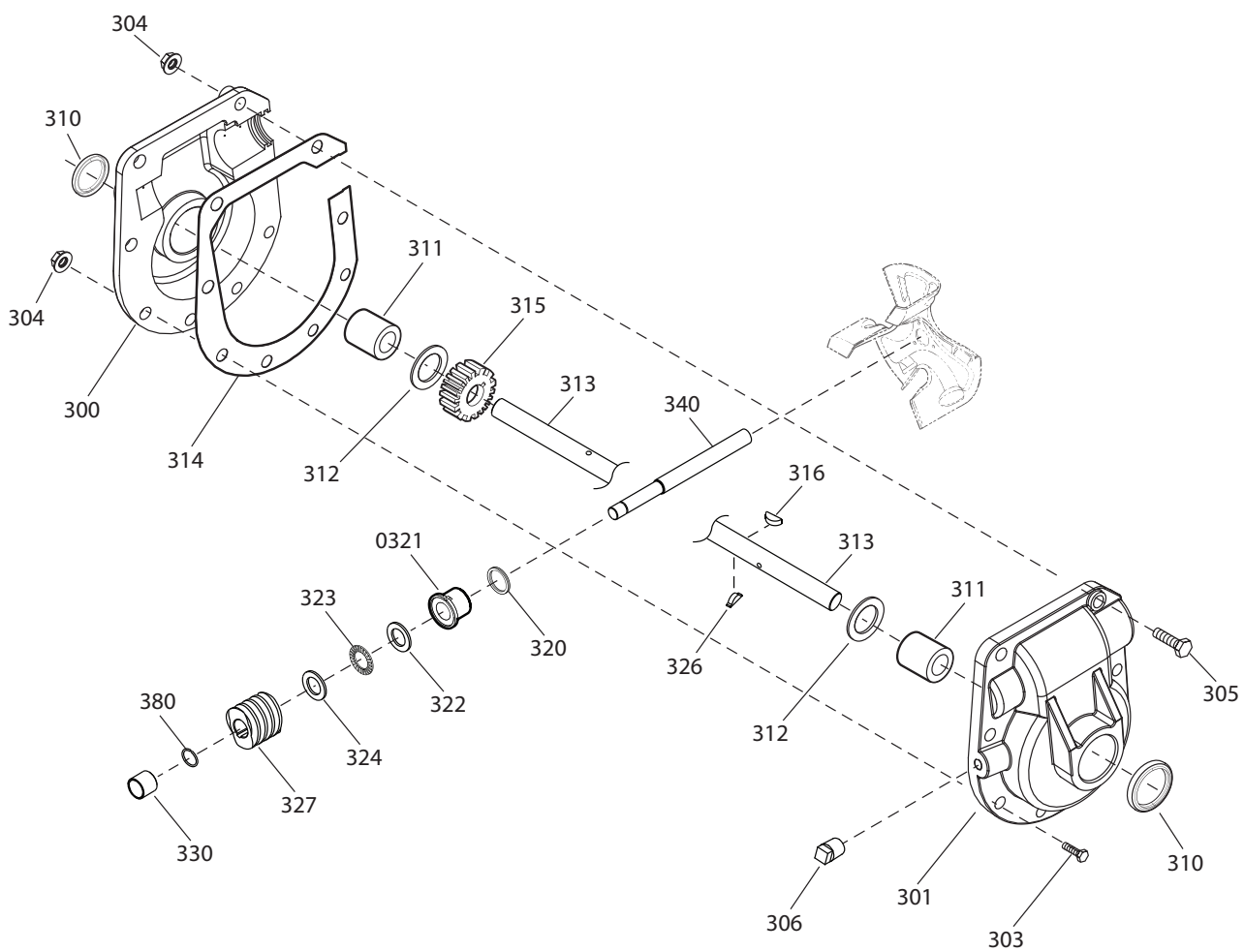
Utgåva Issue 2013-11		Bildnr Picture No 2778		SNOW FLAKE/POWER HJUL		SNOW FLAKE/POWER WHEELS		Sida Page 10	
Pos. Fig.	Antal/Quantity			Art nr Part No	Benämning	Description	Sats Kit	Anmärkning Notes	
	2829	2847							
10	1	1		1812-3077-01	Hjul kpl-vä.....	Wheel & tire assy-LH			
20	1	1		1812-3078-01	Hjul kpl-hö.....	Wheel & tire assy-RH			
60	2	2		1812-1114-01	Bult	Bolt.....			
70	2	2		1812-1760-01	Mutter	Nut.....			



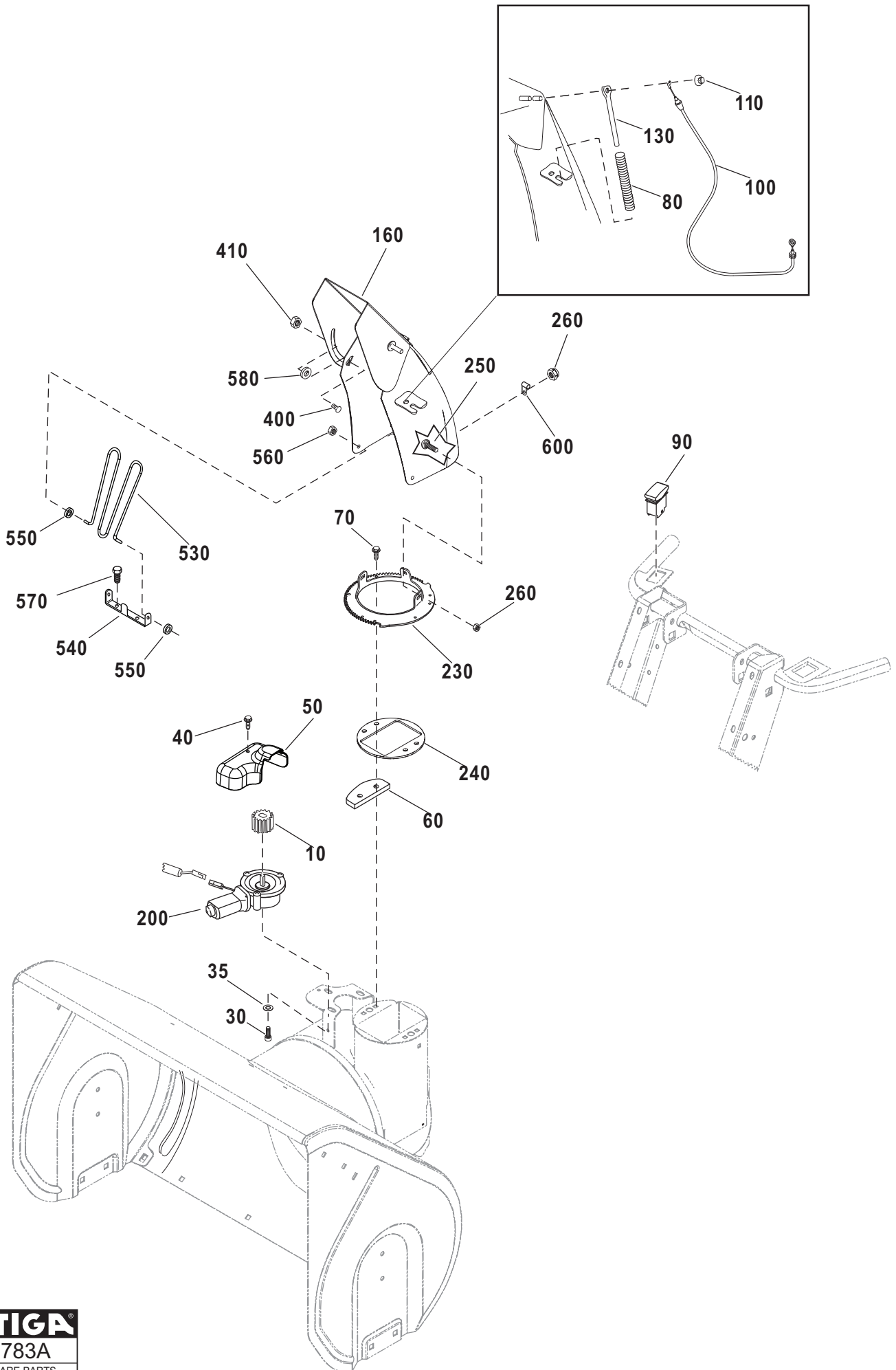
Utgåva Issue 2013-11		Bildnr Picture No 2779		SNOW FLAKE/POWER INMATNINGSHUS		SNOW FLAKE/POWER AUGER HOUSING		Sida Page 12	
Pos. Fig.	Antal/Quantity			Art nr Part No	Benämning	Description	Sats Kit	Anmärkning Notes	
	2829	2847							
10	1			1812-2720-01	Inmatningshus.....	Auger housing.....		29" (74 cm) 33" (84 cm)	
10		1		1812-2721-01	Inmatningshus.....	Auger housing.....			
20	2	2		1812-2413-01	Klämma	Spring clamp			
30	2	2		1812-2480-01	Skruv.....	Screw.....			
40	2	2		1812-2655-01	Mutter	Nut.....			
60	1	1		1812-2400-01	Borste.....	Cleanout brush			
70	2	2		1812-0347-01	Lager.....	Bearing.....			
80	4	4		1812-1833-01	Skruv.....	Screw.....			
90	4	4		1812-2487-01	Vagnsbult.....	Carriage bolt.....			
100	4	4		9743-3721-32	Mutter	Nut.....			
110	7	9		9727-3641-22	Mutter	Nut.....			
150	2	2		1812-2918-01	Släpsko	Skid shoe.....			
160	1			1812-2436-01	Skrapskär	Scraper blade.....		29" 33"	
160		1		1812-2446-01	Skrapskär	Scraper blade.....			
170	1	1		1812-1690-01	Kullagerhållare	Ball bearing retainer.....			
180	1	1		1812-2373-01	Kullager	Ball bearing.....			
190	3	3		9899-3622-16	Skruv.....	Screw.....			
200	2	2		1812-1430-01	Plugg.....	Plug			
210	4	9		1812-2485-01	Vagnsbult.....	Carriage bolt.....			



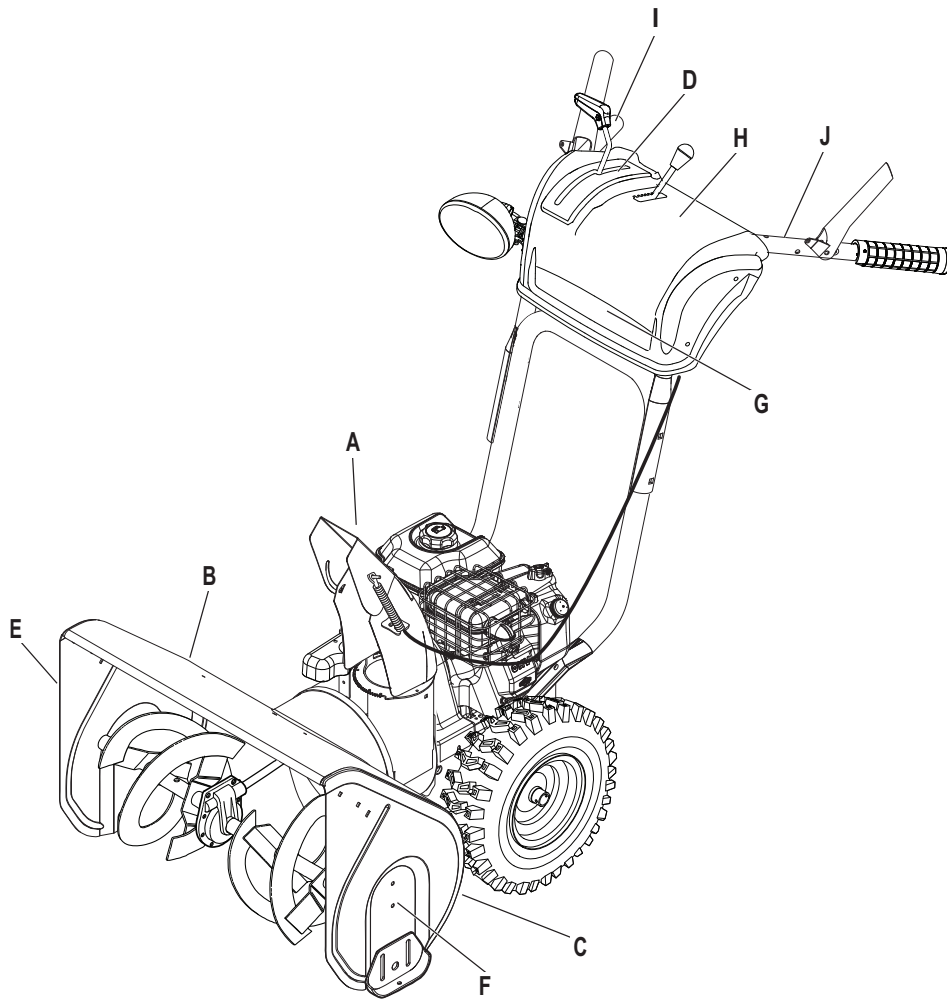
Utgåva Issue 2013-11		Bildnr Picture No 2780B		SNOW FLAKE/POWER SNÖSKRUV		SNOW FLAKE/POWER AUGER		Sida Page 14	
Pos. Fig.	Antal/Quantity			Art nr Part No	Benämning	Description	Sats Kit	Anmärkning Notes	
	2829	2847							
70	1			1812-2759-01	Snäckväxel kpl.....	Gear case assy		29"	
70		1		1812-2760-01	Snäckväxel kpl.....	Gear case assy		33"	
80	1			1812-3104-01	Kil	Key			
80		1		1812-1609-01	Kil	Key			
90	1	1		1812-2758-01	Fläkt	Impeller			
100	1	1		1812-2553-01	Nav	Hub			
110	3	3		1812-2641-0	Skruv	Screw			
130	3	3		1812-2640-01	Stoppskruv	Set screw			
140	1	1		1812-1739-01	Distans	Spacer			
150	1	1		1812-1854-01	Remskiva-snöskruv	Auger pulley			
155	1	1		1812-3025-01	Låsmutter	Locking nut			
160	2			1812-9005-01	Brytbultsats	Shear bolt kit		Inkl. pos 170-190	
160		2		1812-9006-01	Brytbultsats	Shear bolt kit		Inkl. pos 170	
170		2		1812-0811-01	Låsmutter	Locking nut		5/16"	
170	2			1812-0812-01	Låsmutter	Locking nut		1/4"	
190	2			1812-0531-01	Distans	Spacer			
220		1		1812-2903-0	Snöskruv-vä	Auger-LH		33"	
220	1			1812-2463-01	Snöskruv-vä	Auger-LH		29"	
220A	2	2		1812-2491-01	Smörjnippel	Grease fitting			
230		1		1812-2904-01	Snöskruv-hö	Auger-RH		33"	
230	1			1812-2464-01	Snöskruv-hö	Auger-RH		29"	
240		1		1812-3005-01	Skruv	Screw			
250		2		1812-3041-01	Bricka	Washer			
260		1		1812-3040-01	Bricka	Washer			
270		1		1812-2825-01	Mutter	Nut			
310		1		1812-2447-01	Fäste	Bracket			



Utgåva Issue 2013-11		Bildnr Picture No 2782B		SNOW FLAKE/POWER SNÄCKVÄXEL		SNOW FLAKE/POWER GEAR CASE		Sida Page 16	
Pos. Fig.	Antal/Quantity			Art nr Part No	Benämning	Description	Sats Kit	Anmärkning Notes	
	2829	2847							
300	1	1		1812-0227-01	Snäckväxelhus-vä	Gear case-LH			
301	1	1		1812-0228-01	Snäckväxelhus-hö	Gear case-RH			
303	7	7		9987-5125-16	Skruv	Screw			
304	8	8		9743-5121-02	Mutter	Nut			
305	1	1		9987-5145-12	Skruv	Screw			
306	1	1		1812-0346-01	Oljeplugg	Oil plug			
310	2	2		1812-0344-01	Tätningring	Ring			
311	2	2		1812-0343-01	Lager	Bearing			
312	2	2		1812-0345-01	Bricka	Washer			
313	1			1812-1442-01	Snöskruvaxel	Auger shaft		29"	
313		1		1812-2363-01	Snöskruvaxel	Auger shaft		33"	
314	1	1		1812-0226-01	Packning	Gasket			
315	1	1		1812-2755-01	Snäckdrev	Worm gear			
316	1	1		1812-0409-01	Woodruffkil	Woodruffkey			
320	1	1		1812-0341-01	Tätningring	Ring			
321	1	1		1812-1259-01	Flänslager	Flange bearing			
322	1	1		1812-0857-01	Bricka	Thrust washer			
323	1	1		1812-0285-01	Nållager	Needle bearing			
324	2	2		1812-0857-01	Bricka	Thrust washer			
326	1	1		1812-0307-01	Kil	Key			
327	1	1		1812-0336-01	Snäckdrev	Gear			
330	1	1		1812-0297-01	Lager	Bearing			
380	1	1		1812-2757-01	Låsring	Retaining ring			



Utgåva Issue 2013-11		Bildnr Picture No 2783B		SNOW FLAKE/POWER UTKAST		SNOW FLAKE/POWER DISCHARGE		Sida Page 18	
Pos. Fig.	Antal/Quantity			Art nr Part No	Benämning	Description	Sats Kit	Anmärkning Notes	
	2829	2847							
10	1	1		1812-2375-01	Drev	Pinion			
30	3	3		1812-2741-01	Skruv	Screw			
35	3	3		9699-0099-02	Bricka	Washer			
40	1	1		1812-2474-01	Skruv	Screw			
50	1	1		1812-2415-01	Lock	Cover			
60	3	3		1812-2280-01	Hållare	Retainer			
70	6	6		1812-2257-01	Skruv	Screw			
80	1	1		1812-2509-01	Tryckfjäder	Compr. spring			
90	1	1		1812-2533-01	Strömbrytare	Switch-chute rotate			
100	1	1		1812-2626-01	Wire-deflektor	Cable-deflector contr			
110	1	1		1812-2255-01	Låsning	Push nut			
130	1	1		1812-2510-01	Stång	Spring guide rod			
160	1	1		1812-2535-01	Utkast	Chute			
200	1	1		1812-2735-01	Motor-rotation	Motor-spout rotator			
230	1	1		1812-2536-01	Ringdrev-utkast	Chute gear			
240	1	1		1812-2534-01	Adapter	Adapter-chute ring			
250	4	4		1812-1831-01	Skruv	Screw			
260	4	4		9795-3531-02	Mutter	Nut			
400	1	1		9899-3625-16	Skruv	Screw			
410	1	1		9743-3621-32	Mutter	Nut			
530	1	1		1812-2381-01	Utkastskydd	Chute guard			
540	1	1		1812-2416-01	Fäste	Chute guard brkt			
550	2	2		1812-2426-01	Hylsa	Grommet			
560	2	2		1812-2478-01	Snabbmutter	Push nut			
570	2	2		1812-2473-01	Skruv	Screw			
580	1	1		1812-2278-01	Nylonbricka	Nylon washer			
600	1	1		1812-2565-01	Kabelhållare	Cable clip			



1

A

I

J

D

H

B

E

F

G

C



Utgåva Issue 2013-11		Bildnr Picture No 2786A		SNOW FLAKE/POWER DEKALER		SNOW FLAKE/POWER LABELS		Sida Page 20	
Pos. Fig.	Antal/Quantity				Art nr Part No	Benämning	Description	Sats Kit	Anmärkning Notes
	2829	2847							
1	1				1812-2702-01	Dekalsats.....	Label kit		
1		1			1812-2703-01	Dekalsats.....	Label kit		