



[www.stiga.com](http://www.stiga.com)

# Illustrated Parts List

for model:

**SNOW CRYSTAL**

- Use GLOBAL GARDEN PRODUCT genuine spare parts specified in the parts list for repair and/or replacement.
- Then contents described in the parts list may change due to improvement.
- The drawings of the spare part are only indicative and might not represent the part in question exactly.
- The indications "right" - "left" - "front" - "rear" refer to the position of the operator when using the machine.
- When placing orders of parts for repair and/or replacement, make sure that the illustrated parts list is the one applying to the machine's year of manufacture, as shown on the identification plate attached to the machine.

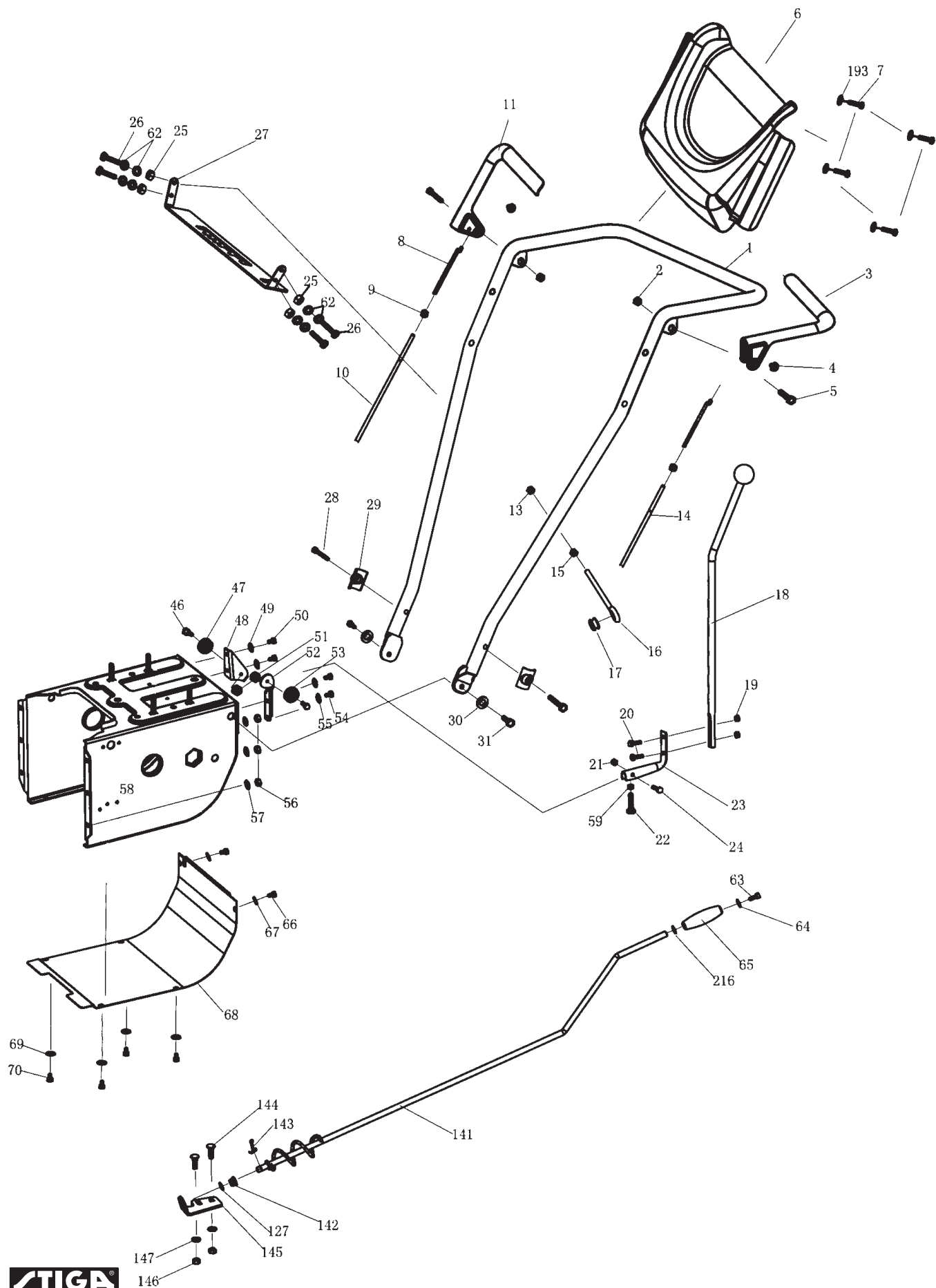
© Copyright 2014 Global Garden Products

All content is subject to copyright by Global Garden Products and may not be reproduced in whole or in part by any means, electronic or otherwise, without prior written approval.

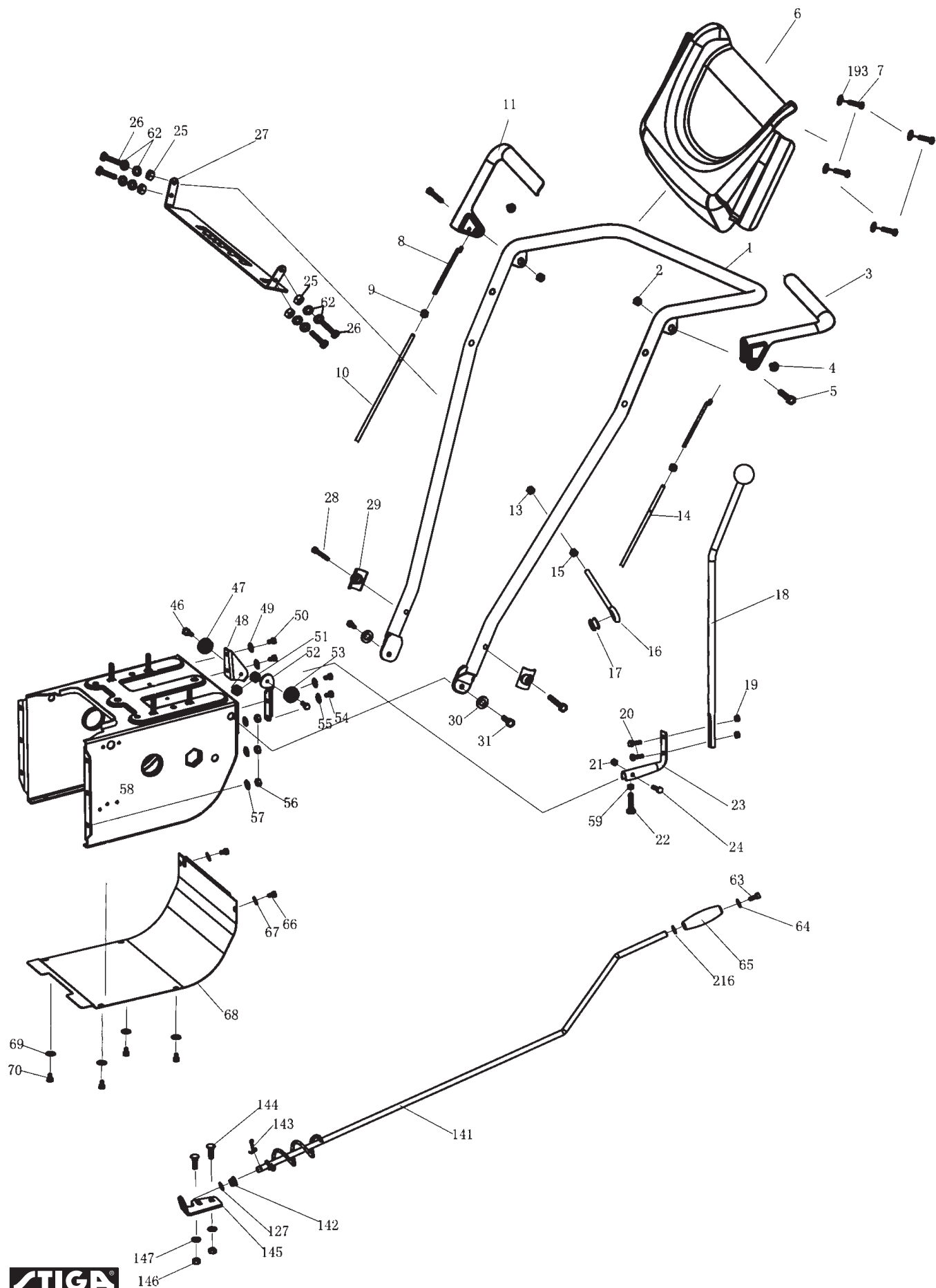
THIS INFORMATION IS NOT INTENDED FOR SALE OR RESALE, AND THIS NOTICE MUST REMAIN ON ALL COPIES.

[www.ggp-group.com](http://www.ggp-group.com)

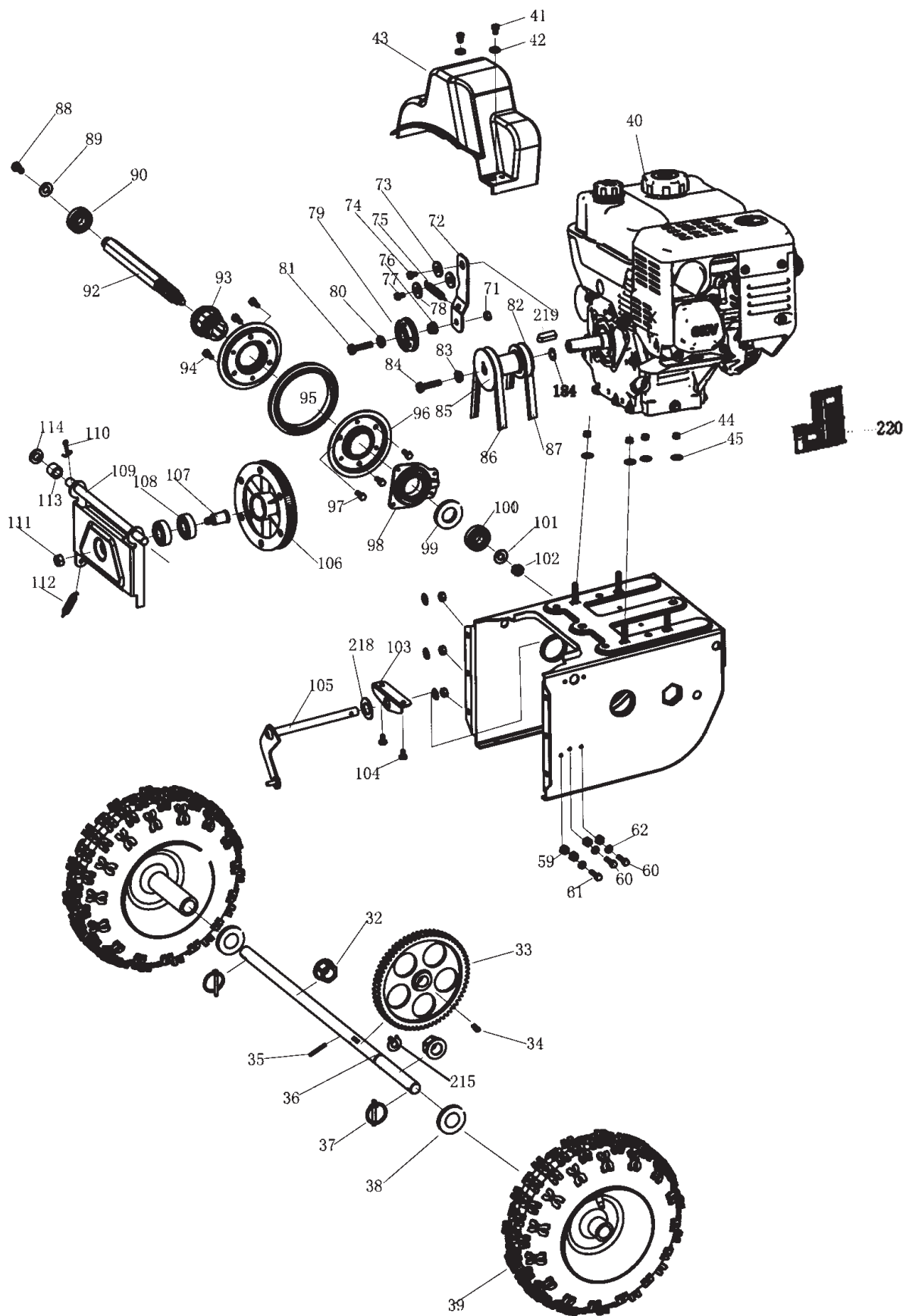




Utgåva Issue 2014-14	Bildnr Picture No 2171B	SNOW CRYSTAL ES STYRE REGLAGE	SNOW CRYSTAL ES HANDLE CONTROLS	Sida Page 2					
Pos. Fig.	Antal/Quantity				Art nr Part No	Benämning	Description	Sats Kit	Anmärkning Notes
	2804 -32								
1	1				1811-2557-01	Styre.....	Handle.....		
2	2				9747-0831-02	Mutter.....	Lock nut.....		
3	1				1811-2567-01	Inkoppl.handtag-vä.....	Clutch handle-LH.....		
4	2				1811-2472-01	Gummiskydd.....	Rubber cap.....		
5	2				9997-0845-12	Skruv.....	Screw.....		
6	1				1811-2570-01	Panel-gul.....	Dashboard-yellow.....		
7	4				1811-2400-01	Skruv.....	Screw.....		
8	2				1811-2458-01	Justerstång.....	Adjustment rod.....		
9	2				9799-0531-02	Mutter.....	Nut.....		
10	1				1811-2585-01	Reglagewire.....	Control cable.....		L = 105 cm
11	1				1811-2566-01	Inkoppl.handtag-hö.....	Clutch handle-RH.....		
13	1				9747-0831-02	Mutter.....	Lock nut.....		
14	1				1811-2587-01	Reglagewire.....	Control cable.....		L = 117,5 cm
15	1				9787-0831-32	Mutter.....	Nut.....		
16	1				1811-2468-01	Ögla.....	Eye bolt.....		
17	1				1811-2469-01	Gummihylsa.....	Rubber sleeve.....		
18	1				1811-2563-01	Växelspak.....	Gear lever.....		
19	2				9739-0631-22	Mutter.....	Nut.....		
20	2				9997-0620-16	Skruv.....	Screw.....		
21	1				9739-0631-22	Mutter.....	Nut.....		
22	1				9997-0620-16	Skruv.....	Screw.....		
23	1				1811-2482-01	Växelarm.....	Gear rod.....		
24	1				9997-0625-16	Skruv.....	Screw.....		
25	4				9747-0631-02	Låsmutter.....	Lock nut.....		
26	4				9997-0635-12	Skruv.....	Screw.....		
27	1				1811-2565-01	Växellägesplåt.....	Gear select plate.....		
28	2				9997-0840-16	Skruv.....	Screw.....		
29	2				1811-2453-01	Styresbricka.....	Handle washer.....		
30	2				9699-0062-02	Planbricka.....	Flat washer.....		
31	2				9997-0820-16	Skruv.....	Screw.....		
46	2				1811-2476-01	Ansatsbult.....	Shoulder bolt.....		
47	1				1811-2440-01	Wirerulle.....	Wire pulley.....		
48	1				1811-2439-01	Fäste-gul.....	Bracket-yellow.....		
49	2				9699-0025-02	Planbricka.....	Washer.....		
50	2				9997-0612-16	Skruv.....	Screw.....		
51	2				9739-0631-22	Mutter.....	Nut.....		
52	1				1811-2437-01	Fäste-gul.....	Bracket-yellow.....		
53	1				1811-2440-01	Wirerulle.....	Wire pulley.....		
54	2				9997-0612-16	Skruv.....	Screw.....		
55	2				9699-0025-02	Planbricka.....	Washer.....		
56	6				9747-0831-02	Mutter.....	Lock nut.....		
57	6				9699-0028-02	Planbricka.....	Flat washer.....		
58	1				1811-2588-01	Chassi.....	Chassis.....		
59	1				9747-0631-02	Låsmutter.....	Lock nut.....		
62	8				9699-0025-02	Planbricka.....	Washer.....		
63	1				9997-0610-16	Skruv.....	Screw.....		
64	1				9699-0025-02	Planbricka.....	Washer.....		
65	1				1811-2442-01	Handtag.....	Grip.....		
66	2				9997-0610-16	Skruv.....	Screw.....		
67	2				9699-0025-02	Planbricka.....	Washer.....		
68	1				1811-2486-01	Bottenplåt-gul.....	Bottom plate-yell.....		
69	4				9699-0025-02	Planbricka.....	Washer.....		
70	4				9997-0610-16	Skruv.....	Screw.....		
127	1				9699-0035-02	Planbricka.....	Flat washer.....		
141	1				1811-2467-01	Inställningsvev.....	Crank.....		
142	1				1811-2431-01	Bussning.....	Bushing.....		
143	1				9599-0054-02	Saxpinne.....	Cotter pin.....		
144	2				9898-0820-16	Skruv.....	Screw.....		
145	1				1811-2430-01	Fäste-gul.....	Bracket-yellow.....		
146	2				9747-0831-02	Mutter.....	Lock nut.....		
147	2				9699-0056-02	Planbricka.....	Flat washer.....		



Utgåva Issue 2014-14		Bildnr Picture No 2171B		SNOW CRYSTAL ES STYRE REGLAGE		SNOW CRYSTAL ES HANDLE CONTROLS		Sida Page 4	
Pos. Fig.	Antal/Quantity				Art nr Part No	Benämning	Description	Sats Kit	Anmärkning Notes
	2804	-32							
X	193	4			9699-0072-02	Bricka .....	Washer.....		Ej ill/not ill.
	216	1			9699-0029-02	Planbricka.....	Flat washer .....		
	999	1			8218-2254-10	Bruksanvisning.....	Owner's manual .....		



Utgåva Issue 2010-14		Bildnr Picture No 2172B		SNOW CRYSTAL ES TRANSMISSION		SNOW CRYSTAL ES TRANSMISSION		Sida Page 6	
Pos. Fig.	Antal/Quantity				Art nr Part No	Benämning	Description	Sats Kit	Anmärkning Notes
	2804								
	32	2			1811-2452-01	Hjulaxelbussning .....	Wheel shaft bushing.....		
	33	1			1811-2421-01	Drev .....	Gear .....		
	34	2			1811-2406-01	Kil .....	Key .....		
	35	1			9595-0212-00	Spännstift .....	Locating pin .....		
	36	1			1811-2550-01	Hjulaxel .....	Wheel shaft .....		
	37	2			1811-2478-01	Fjäderpinne .....	Spring pin .....		
	38	2			1811-2407-01	Planbricka .....	Flat washer .....		
	39	2			1811-2541-01	Hjul kpl .....	Wheel assy .....		
	40	1			118550657/0	Motor kpl .....	Engine compl. ....		
	41	2			9997-0610-16	Skruv .....	Screw .....		
	42	2			9699-0025-02	Planbricka .....	Washer .....		
	43	1			1811-2455-01	Remskydd .....	Belt cover .....		
	44	4			9747-0831-02	Mutter .....	Lock nut .....		
	45	4			9699-0028-02	Planbricka .....	Flat washer .....		
	59	3			9747-0631-02	Låsmutter .....	Lock nut .....		
	60	2			9997-0630-12	Skruv .....	Screw .....		
	61	1			9997-0620-16	Skruv .....	Screw .....		
	62	3			9699-0025-02	Planbricka .....	Washer .....		
	71	1			9747-0631-02	Låsmutter .....	Lock nut .....		
	72	1			1811-2470-01	Spännarm .....	Tension arm .....		
	73	1			1811-2559-01	Spännarmsbricka .....	Tension washer .....		
	74	1			9997-0820-16	Skruv .....	Screw .....		
	75	1			1811-2555-01	Fjäder .....	Spring .....		
	76	1			1811-2575-01	Bricka .....	Washer .....		
	77	1			9997-0812-16	Skruv .....	Screw .....		
	78	2			9699-0028-02	Planbricka .....	Flat washer .....		
X	79	1			1811-2593-01	Spännrulle kpl .....	Tension pulley .....		
	80	1			1811-2427-01	Bricka .....	Washer .....		
	81	1			9997-0830-16	Skruv .....	Screw .....		
	82	1			1811-2473-01	Remskiva .....	Belt pulley .....		
	83	1			1811-2542-01	Planbricka .....	Plain cushion .....		
	84	1			9987-5125-16	Skruv .....	Screw .....		
	85	1			1811-2560-01	Remskiva .....	Main belt pulley .....		
X	86	1			1811-2578-01	Drivrem .....	Belt .....		
	87	1			1811-2410-01	Drivrem .....	Belt .....		
	88	1			9997-0816-16	Skruv .....	Screw .....		
	89	3			9699-0122-02	Bricka .....	Washer .....		
	90	1			1811-2411-01	Lager .....	Bearing .....		
	92	1			1811-2423-01	Sexkantsaxel .....	Hex shaft .....		
	93	1			1811-2435-01	Nav .....	Hub .....		
	94	3			9997-0612-16	Skruv .....	Screw .....		
X	95	1			1811-2584-01	Friktionsring .....	Friction ring .....		
	96	2			1811-2433-01	Friktionshjul .....	Friction wheel .....		
	97	3			9997-0612-16	Skruv .....	Screw .....		
	98	1			1811-2434-01	Växelförare .....	Gear selector hub .....		
	99	1			1811-2412-01	Låsring .....	Lock ring .....		
	100	1			1811-2413-01	Lager .....	Bearing .....		
	101	1			9699-0035-02	Planbricka .....	Flat washer .....		
	102	1			9747-1031-02	Låsmutter .....	Lock nut .....		
	103	1			1811-2420-01	Fäste .....	Bracket .....		
	104	2			9997-0610-16	Skruv .....	Screw .....		
	105	1			1811-2465-01	Växelförararm .....	Gear lever .....		
	106	1			1811-2428-01	Drivskiva .....	Drive pulley .....		
	107	1			1811-2429-01	Axeltapp .....	Shaft .....		
	108	2			1811-2414-01	Lager .....	Bearing .....		
	109	1			1811-2424-01	Fäste-drivskiva .....	Bracket-drive pulley .....		
	110	1			9599-0054-02	Saxpinne .....	Cotter pin .....		
	111	1			9747-1031-02	Låsmutter .....	Lock nut .....		

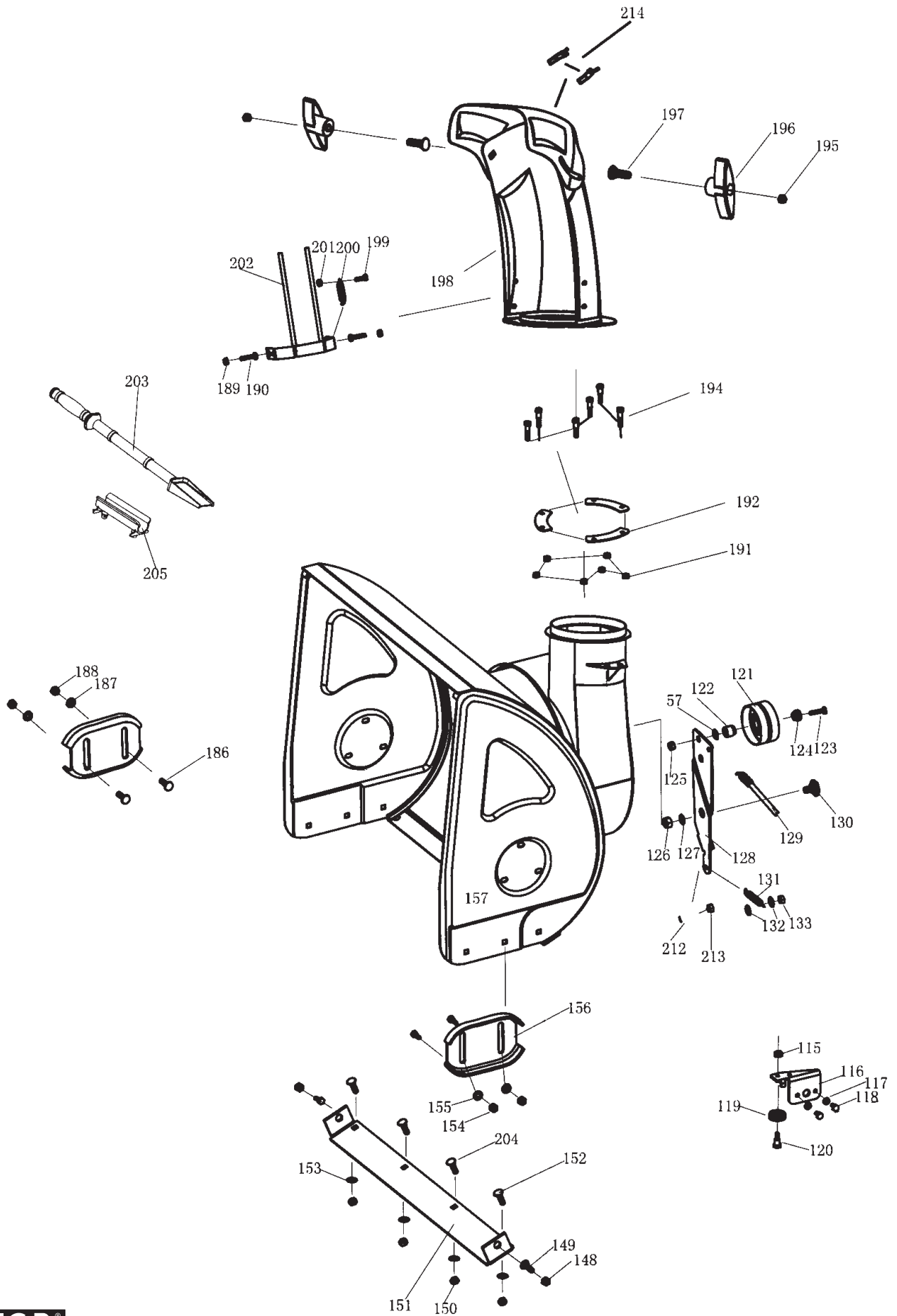
15"  
Electric starter

L = 30 mm  
L = 20 mm

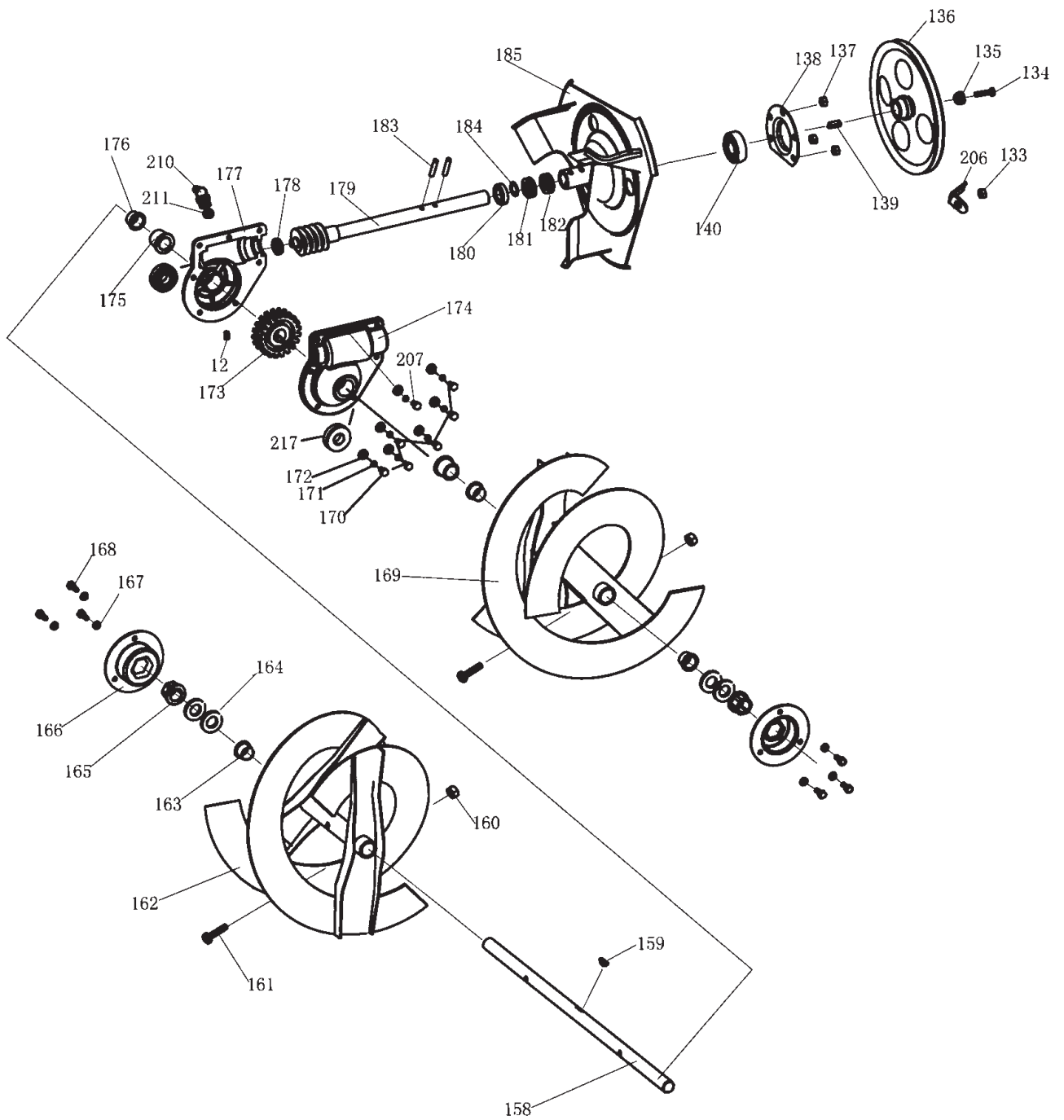




Utgåva Issue 2010-14		Bildnr Picture No 2172B		SNOW CRYSTAL ES TRANSMISSION		SNOW CRYSTAL ES TRANSMISSION		Sida Page 8	
Pos. Fig.	Antal/Quantity				Art nr Part No	Benämning	Description	Sats Kit	Anmärkning Notes
	2804	-32							
X	112	1			1811-2483-01	Fjäder.....	Spring.....		
	113	1			1811-2489-01	Hylsa.....	Collar.....		
	114	1			9699-0037-02	Bricka .....	Washer.....		
	184	1			1811-2477-01	Bricka .....	Washer.....		
	215	1			9650-0019-04	Låsring.....	Retainer ring.....		
	218	1			9699-0037-02	Bricka .....	Washer.....		
X	219	1			1811-2581-01	Kil.....	Key.....		
X	220	1			1811-2592-01	Värmskydd.....	Heat guard.....		



Utgåva Issue 2010-14		Bildnr Picture No 2173B		SNOW CRYSTAL ES INMATNINGSHUS		SNOW CRYSTAL ES AUGER HOUSING		Sida Page 10	
Pos. Fig.	Antal/Quantity				Art nr Part No	Benämning	Description	Sats Kit	Anmärkning Notes
	2804 -32	2804 -31							
57	1			9699-0028-02	Planbricka .....	Flat washer .....			
115	1			9747-0631-02	Låsmutter .....	Lock nut .....			
116	1			1811-2438-01	Fäste-gul .....	Bracket-yellow .....			
117	2			9699-0025-02	Planbricka .....	Washer .....			
118	2			9997-0610-16	Skruv .....	Screw .....			
119	1			1811-2440-01	Wirerulle .....	Wire pulley .....			
120	1			1811-2476-01	Ansatsbult .....	Shoulder bolt .....			
121	1			1811-2425-01	Spännrulle m.lager .....	Tension roller w.bear .....			
122	1			1811-2426-01	Distans .....	Spacer .....			
123	1			9997-0845-12	Skruv .....	Screw .....			
124	1			1811-2427-01	Bricka .....	Washer .....			
125	1			9747-0831-02	Mutter .....	Lock nut .....			
126	1			9747-1031-02	Låsmutter .....	Lock nut .....			
127	1			9699-0035-02	Planbricka .....	Flat washer .....			
128	1			1811-2448-01	Spännarm .....	Tension arm .....			
129	1			1811-2457-01	Fjäder .....	Spring .....			
130	1			1811-2475-01	Skruv .....	Screw .....			
131	1			1811-2462-01	Fjäder .....	Spring .....			
132	2			9699-0028-02	Planbricka .....	Flat washer .....			
133	1			9747-0831-02	Mutter .....	Lock nut .....			
148	2			9747-0831-02	Mutter .....	Lock nut .....			
149	2			9898-0820-16	Skruv .....	Screw .....			
150	4			9747-0831-02	Mutter .....	Lock nut .....			
151	1			1811-2549-01	Skrapskär .....	Shave plate .....			
152	2			9898-0820-16	Skruv .....	Screw .....			
153	4			9699-0056-02	Planbricka .....	Flat washer .....			
154	2			9747-0831-02	Mutter .....	Lock nut .....			
155	2			9699-0056-02	Planbricka .....	Flat washer .....			
156	2			1811-2568-01	Släpsko .....	Skid shoe .....			
X 157	1			1811-2590-01	Snöskruvhus .....	Auger housing .....			
186	4			9898-0820-16	Skruv .....	Screw .....			
187	2			9699-0056-02	Planbricka .....	Flat washer .....			
188	2			9747-0831-02	Mutter .....	Lock nut .....			
189	2			9747-0631-02	Låsmutter .....	Lock nut .....			
190	2			9997-0616-16	Skruv .....	Screw .....			
191	6			9747-0631-02	Låsmutter .....	Lock nut .....			
192	3			1811-2445-01	Flänsbricka .....	Chute washer .....			
194	6			1811-2551-01	Skruv .....	Screw .....			
195	2			9747-0831-02	Mutter .....	Lock nut .....			
196	2			1811-2498-01	Låsratt .....	Locking knob .....			
197	2			9898-0825-16	Skruv .....	Screw .....			
198	1			1811-2571-01	Utkaströr .....	Chute .....			
199	1			9997-0620-16	Skruv .....	Screw .....			
200	1			1811-2461-01	Fjäder .....	Spring .....			
201	1			9747-0631-02	Låsmutter .....	Lock nut .....			
202	1			1811-2432-01	Utkastskydd .....	Chute guard .....			
203	1			1811-2500-01	Rensdon .....	Cleaner stick .....			
204	2			9898-0820-16	Skruv .....	Screw .....			
205	1			1811-2572-01	Fäste-rendon .....	Cleaner stick bracket .....			
212	1			1811-2553-01	Brytbult .....	Shear bolt .....			
213	1			1811-2546-01	Låsmutter .....	Lock nut .....			
214	2			1811-2547-01	Gummiblock .....	Rubber block .....			



Utgåva Issue 2010-14		Bildnr Picture No 2174C		SNOW CRYSTAL ES SNÖSKRUV		SNOW CRYSTAL ES AUGER		Sida Page 12	
Pos. Fig.	Antal/Quantity				Art nr Part No	Benämning	Description	Sats Kit	Anmärkning Notes
	2804	-32							
12	1				9997-0510-16	Skruv.....	Screw.....		
133	1				9747-0831-02	Mutter.....	Lock nut.....		
134	1				9997-0820-16	Skruv.....	Screw.....		
135	1				9699-0056-02	Planbricka.....	Flat washer.....		
136	1				1811-2556-01	Remskiva.....	Belt pulley.....		
137	3				9747-0831-02	Mutter.....	Lock nut.....		
138	1				1811-2422-01	Lagerskål.....	Bearing cover.....		
139	1				9600-0170-00	Plattkil.....	Flat key.....		
140	1				1811-2415-01	Lager.....	Bearing.....		
158	1				1811-2552-01	Snöskruvaxel.....	Auger shaft.....		
159	1				1811-2416-01	Kil.....	Key.....		
160	2				9747-0831-02	• Mutter.....	• Lock nut.....		
161	1				1811-9012-01	Brytbultsats.....	Shear bolt kit.....		Inkl. pos 160
162	1				1811-2561-01	Snöskruv-vä.....	Auger-LH.....		
163	1				1811-2443-01	Axelbussning.....	Shaft bushing.....		
164	2				1811-2418-01	Planbricka.....	Flat washer.....		
165	2				1811-2444-01	Axelbussning.....	Shaft bushing.....		
166	2				1811-2449-01	Lagerfäste.....	Bearing cover.....		
167	6				9699-0028-02	Planbricka.....	Flat washer.....		
168	6				9997-0812-16	Skruv.....	Screw.....		
169	1				1811-2562-01	Snöskruv-hö.....	Auger-RH.....		
170	6				9997-0620-16	Skruv.....	Screw.....		
171	7				9683-0025-02	Låsbricka.....	Lock washer.....		
172	7				9699-0025-02	Planbricka.....	Washer.....		
173	1				1811-2463-01	Snäckdrev.....	Worm wheel.....		
174	1				1811-2484-01	Snäckväxelhus-vä.....	Gear housing-LH.....		
174 A	1				1811-2569-01	Packning d:o.....	Gasket.....		Ej ill/not ill
175	1				1811-2490-01	Bussning.....	Bushing.....		
176	4				1811-2443-01	Axelbussning.....	Shaft bushing.....		
177	1				1811-2485-01	Snäckväxelhus-hö.....	Gear housing-RH.....		
178	1				1811-2402-01	Lager.....	Bearing.....		
179	1				1811-2454-01	Fläktaxel.....	Fan shaft.....		Ø = 20 mm
180	1				1811-2403-01	Lager.....	Bearing.....		
181	1				1811-2404-01	Trycklager.....	Thrust bearing.....		
182	1				1811-2405-01	Tätningring.....	Seal ring.....		32 x 20 x 6 mm
183	2				9595-0258-00	Spännstift.....	Locating pin.....		
184	1				1811-2477-01	Bricka.....	Washer.....		
185	1				1811-2419-01	Fläkt.....	Fan.....		
206	1				1811-2591-01	Remstyrning.....	Belt plate.....		
207	1				9997-0625-16	Skruv.....	Screw.....		
210	1				1811-2544-01	Smörjnippel.....	Grease filling joint.....		
211	1				1811-2545-01	Packning.....	Wave gasket.....		
217	2				1811-2580-01	Tätningring.....	Oil seal.....		30 x 19 x 7 mm

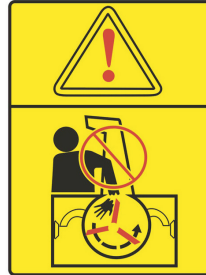
Snow Cube



4.5\*5CM



12.4\*7.4cm



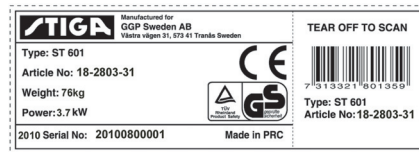
7\*9.4cm



10.5\*3.5cm



23\*1.2cm



11.5\*4.1CM



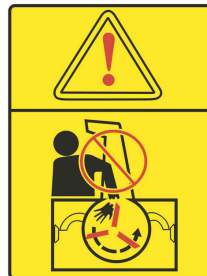
Snow Crystal



4.5\*5CM



12.4\*7.4cm



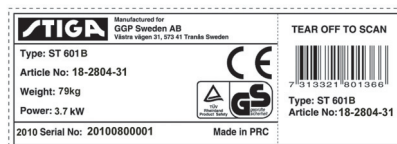
7\*9.4cm



10.5\*3.5cm



23\*1.2cm



11.5\*4.1CM





Utgåva Issue 2010-14		Bildnr Picture No 2784		SNOW CRYSTAL ES DEKALER		SNOW CRYSTAL ES LABELS		Sida Page 14	
Pos. Fig.	Antal/Quantity				Art nr Part No	Benämning	Description	Sats Kit	Anmärkning Notes
	2804 -32	2804 -31							
X 1	1				1811-2582-01	Dekalsats.....	Label kit .....		Snow Crystal