

# Genuine Spare Parts

www.stiga.com

## 1371 PRO/1581 PRO Model Year 2012/2013

includes:

18-2851-33 1371 PRO

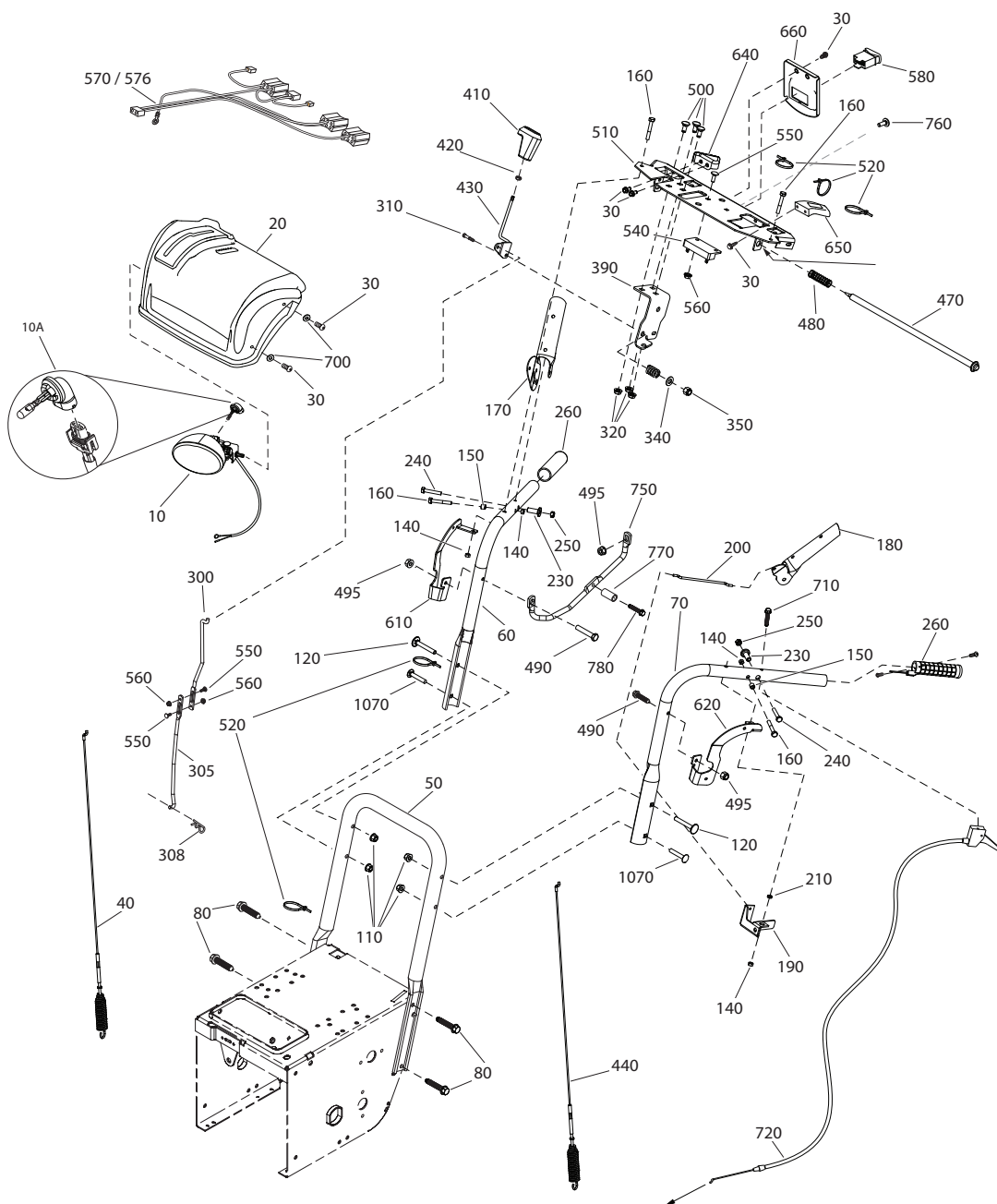
18-2852-33 1581 PRO

- Use GLOBAL GARDEN PRODUCT Genuine Spare Parts specified in the parts list for repair and/or replacement.
- The contents described in the parts list may change due to improvement.
- The drawings of the spare parts are only indicative and might not represent the part in question exactly.
- The indications "right" - "left" - "front" - "rear" refer to the position of the operator when using the machine.
- When placing orders of parts for repair and/or replacement, make sure that the illustrated parts list is the one applying to the machine's year of manufacture, as shown on the identification plate attached to the machine.

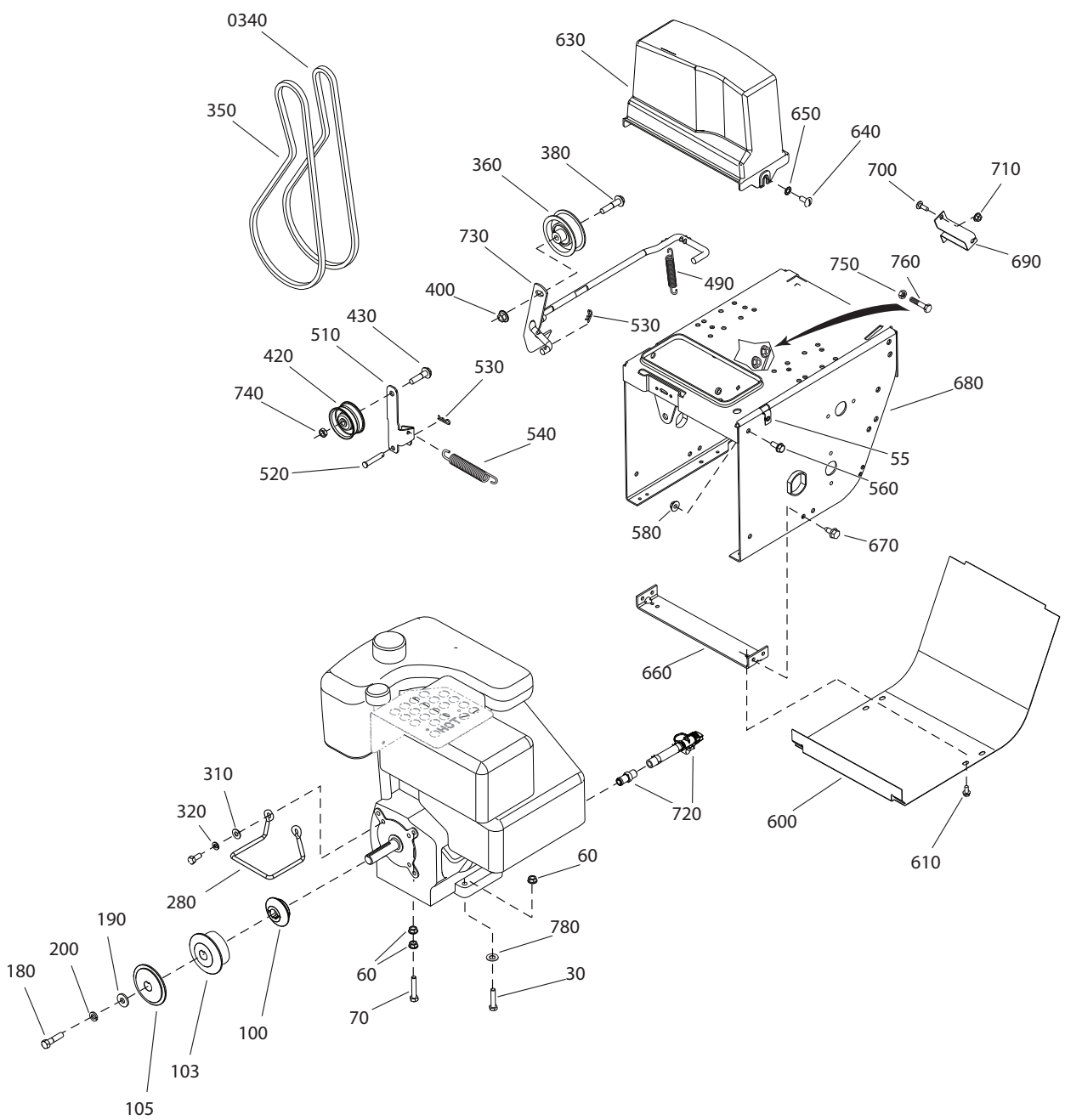
COPYRIGHT by GLOBAL GARDEN PRODUCTS

All rights reserved. No part of this material may be reproduced or transmitted, in any form or by any means, electronic or mechanical, including photocopying, recording or by any information storage and retrieval system, without permission in writing from GLOBAL GARDEN PRODUCTS.

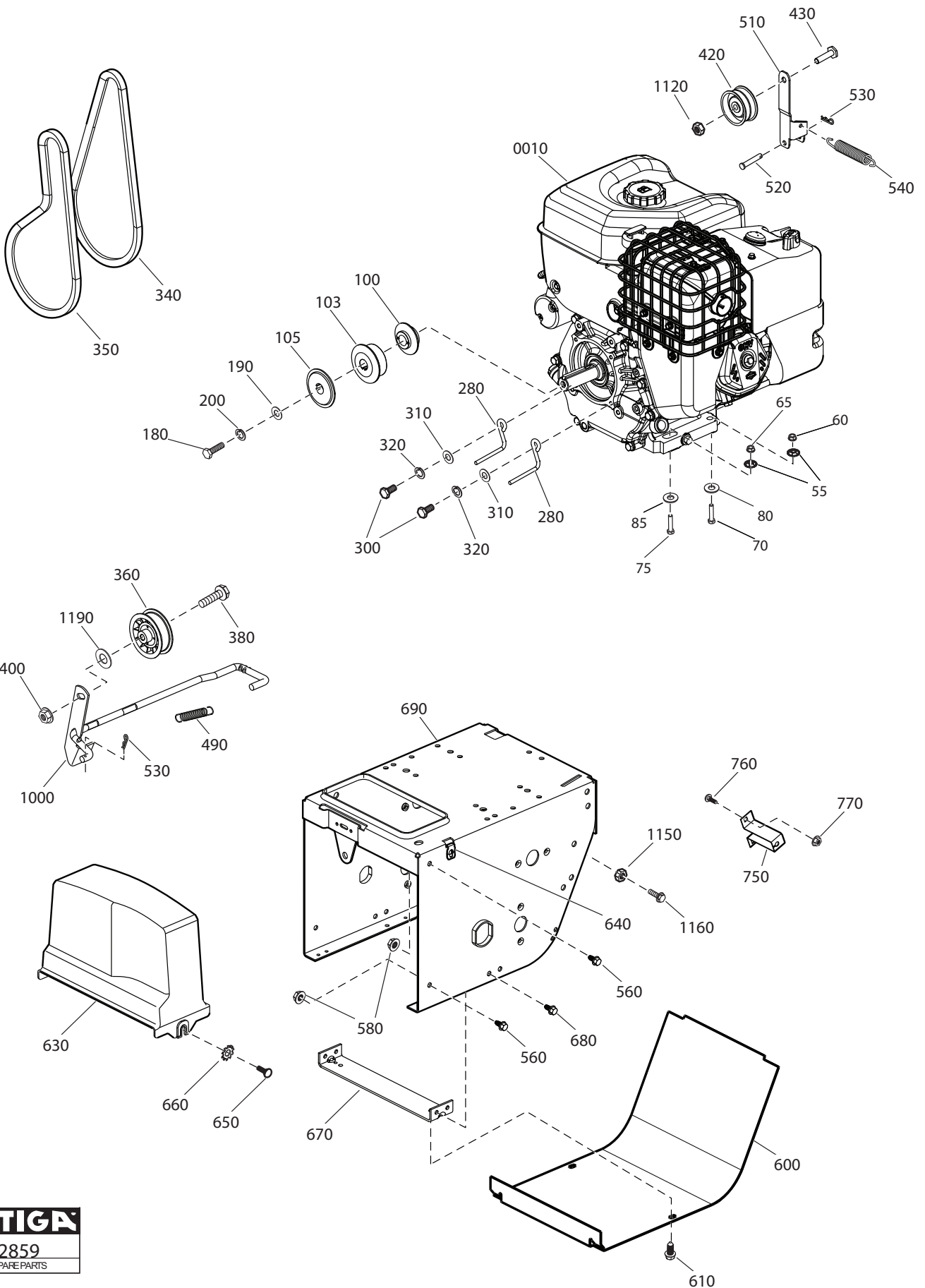




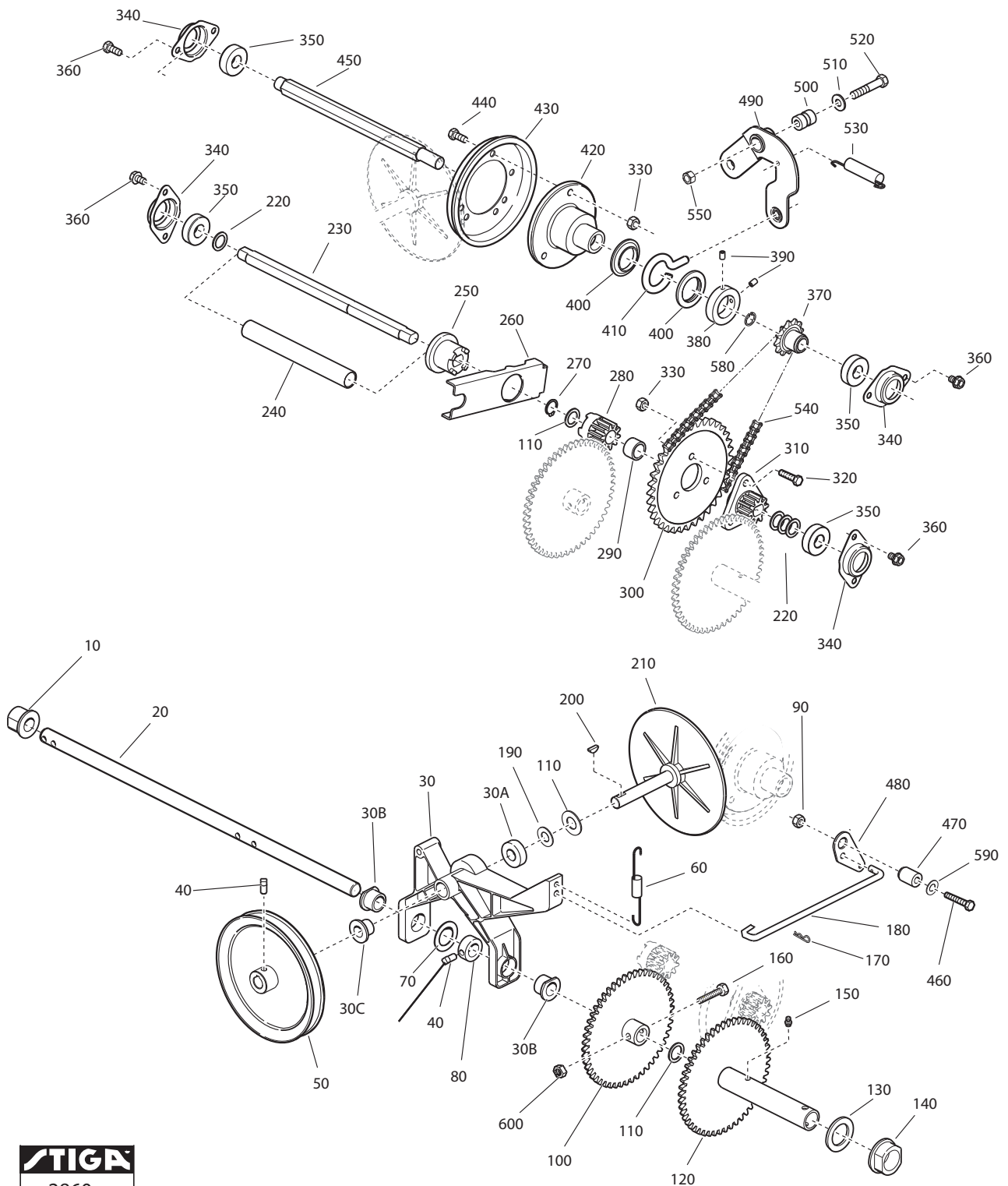
Utgåva Issue 2013-11		Bildnr Picture No 2735C		1371 PRO - 1581 PRO STYRE REGLAGE		1371 PRO - 1581 PRO HANDLE CONTROLS		Sida Page 2
Pos. Fig.	Antal/Quantity			Art nr Part No	Benämning	Description	Sats Kit	Anmärkning Notes
	2851	2852						
10	1	1		1812-2548-01	Strålkastare kpl .....	Headlight assy .....		12V, 27W
10A	1	1		1812-1909-01	Halogenlampa .....	Halogene bulb .....		
20	1	1		1812-3105-01	Panel .....	Panel cover .....		
30	6	6		1812-2644-01	Skruv .....	Screw .....		
40	1	1		1812-3106-01	Reglagewire-snöskruv .....	Auger drive cable .....		
50	1	1		1812-3107-01	Styre-underdel .....	Handle-lower .....		
60	1	1		1812-2540-01	Styre överdel-hö .....	Handle upper-RH .....		
70	1	1		1812-2889-01	Styre överdel-vä .....	Handle upper-LH .....		
80	2	2		9988-3625-16	Skruv .....	Screw .....		
110	2	2		9743-3621-22	Mutter .....	Nut .....		
120	2	2		1812-2479-01	Vagnsbult .....	Carriage bolt .....		
140	5	5		9743-3521-32	Mutter .....	Nut .....		
150	2	2		1812-2148-01	Distans .....	Spacer .....		
160	4	4		9988-3545-12	Skruv .....	Screw .....		
170	1	1		1812-2606-01	Koppl.reglage-hö .....	Clutch lever-RH .....		
180	1	1		1812-2605-01	Koppl.reglage-vä .....	Clutch lever-LH .....		
190	1	1		1812-2885-01	Fäste .....	Bracket .....		
200	1	1		1812-2404-01	Stång .....	Hold down rod .....		
210	1	1		1812-2206-01	Distans .....	Spacer .....		
230	2	2		1812-2412-01	Distans .....	Stepped spacer .....		
240	2	2		1812-3072-01	Ansatsbult .....	Shoulder bolt .....		
250	2	2		1812-2256-01	Mutter .....	Nut .....		
260	2	2		1812-2549-01	Värmehandtag .....	Heated hand grip .....		
300	1	1		1812-3108-01	Reglagestång .....	Control rod .....		
305	1	1		1812-3109-01	Reglagestång .....	Control rod .....		
308	1	1		1812-2490-01	Hårnålssprint .....	Hairpin .....		
310	1	1		1812-2964-01	Skruv .....	Screw .....		
320	3	3		9727-3641-22	Mutter .....	Nut .....		
330	1	1		1812-3012-01	Fjäder .....	Spring .....		
340	1	1		9699-0029-02	Planbricka .....	Flat washer .....		
350	1	1		9743-3721-32	Mutter .....	Nut .....		
390	1	1		1812-2927-01	Fäste .....	Controls brkt .....		
410	1	1		1812-3006-01	Knopp .....	Knob .....		
420	2	2		1812-2946-01	Mutter .....	Nut .....		
430	1	1		1812-2921-01	Spak-HST .....	Hydro control lever .....		
440	1	1		1812-2896-01	Reglagewire-HST .....	Hydro drive cable .....		
470	1	1		1812-2233-01	Stång & fjäder .....	Rod & spring .....		
480	2	2		1812-2268-01	Tryckfjäder .....	Comp spring .....		
490	2	2		1812-2250-01	Skruv .....	Screw .....		
495	2	2		9743-3521-32	Mutter .....	Nut .....		
500	3	3		9899-3625-16	Skruv .....	Screw .....		
510	1	1		1812-2910-01	Panelfäste .....	Dash support .....		
520	1	1		1812-2275-01	Buntband .....	Cable tie .....		
540	1	1		1812-2165-01	Motstånd .....	Resistor block .....		
550	1	1		1812-2486-01	Vagnsbult .....	Carriage bolt .....		
560	1	1		9795-3531-02	Mutter .....	Nut .....		
570	1	1		1812-2630-01	Kablage .....	Wiring harness .....		
576	1	1		1812-2631-01	Kablage-handtag .....	Harness-hand grip .....		
580	1	1		1812-2714-01	Brytare .....	Switch .....		
610	1	1		1812-2621-01	Fäste-hö .....	Mounting brkt-RH .....		
620	1	1		1812-2620-01	Fäste-vä .....	Mounting brkt-LH .....		
640	1	1		1812-2573-01	Brytarfäste-hö .....	Chute rotation pod-RH .....		
650	1	1		1812-2574-01	Brytarfäste-vä .....	Defl. control pod-LH .....		
660	1	1		1812-2715-01	Fäste-brytare .....	Bracket-switch .....		
700	3	3		9699-0026-02	Planbricka .....	Flat washer .....		
710	1	1		1812-2166-01	Skruv .....	Screw .....		
720	1	1		1812-2863-01	Wire kpl .....	Wire assy .....		
750	1	1		1812-2543-01	Fäste .....	Brace .....		
760	1	1		1812-2254-01	Skruv .....	Screw .....		
770	1	1		1812-2858-01	Distans .....	Spacer .....		
780	1	1		1812-2928-01	Skruv .....	Screw .....		
1070	2	2		1812-2357-01	Skruv .....	Screw .....		
9999	1	1			Bruksanvisning .....	Owner's manual .....	Ej ill/not ill. As PDF	



Utgåva Issue 2013-11	Bildnr Picture No 2858	1371 PRO RAM MOTOR	1371 PRO FRAME ENGINE	Sida Page 4					
Pos. Fig.	Antal/Quantity				Art nr Part No	Benämning	Description	Sats Kit	Anmärkning Notes
	2851								
30	3				1812-3110-01	Skruv.....	Capscrew.....		
55	4				1812-1916-01	Mutter.....	Speednut.....		
60	5				1812-3111-01	Mutter.....	Nut.....		
70	1				1812-3112-01	Skruv.....	Capscrew.....		
100	1				1812-3113-01	Remskiva, inre.....	Pulley, inside.....		
103	1				1812-3114-01	Remskiva, mittersta.....	Pulley, middle.....		
105	1				1812-3115-01	Remskiva, yttre.....	Pulley, outside.....		
180	1				1812-3116-01	Skruv.....	Capscrew.....		
190	1				9699-0029-02	Bricka.....	Washer.....		
200	1				1812-2944-01	Låsbricka.....	Lockwasher.....		
280	1				1812-3117-01	Remstyrning.....	Belt guide.....		
300	2				1812-2957-01	Skruv.....	Capscrew.....		
310	2				1812-2949-01	Bricka.....	Washer.....		
320	2				1812-2945-01	Låsbricka.....	Lockwasher.....		
340	1				1812-2838-01	Rem.....	Belt.....		
350	1				1812-2849-01	Rem.....	Belt.....		
360	1				1812-2874-01	Remskiva.....	Pulley.....		
380	1				1812-3002-01	Skruv.....	Screw.....		
400	1				1812-2969-01	Mutter.....	Nut.....		
420	1				1812-2845-01	Remskiva.....	Pulley.....		
430	1				1812-2987-01	Skruv.....	Screw.....		
490	1				1812-2995-01	Tryckfjäder.....	Extension spring.....		
510	1				1812-2855-01	Spännarm.....	Idler.....		
520	1				1812-2830-01	Låsnål.....	Pin.....		
530	2				1812-2869-01	Låsnål.....	Pin.....		
540	1				1812-2878-01	Tryckfjäder.....	Extension spring.....		
560	4				1812-2972-01	Skruv.....	Screw.....		
600	1				1812-3064-01	Bottenskydd.....	Cover, bottom.....		
610	2				1812-2473-01	Skruv.....	Screw.....		
630	1				1812-2871-01	Remskydd.....	Belt cover.....		
640	2				1812-2947-01	Skruv.....	Screw.....		
650	2				1812-2998-01	Låsbricka.....	Lockwasher.....		
660	1				1812-2877-01	Stöd.....	Support.....		
670	4				1812-2141-01	Skruv.....	Screw.....		
680	1				1812-3063-01	Ram.....	Frame.....		
690	1				1812-2868-01	Stöd.....	Support.....		
580	4				1812-2968-01	Mutter.....	Nut.....		
700	2				1812-2254-01	Bult.....	Bolt.....		
710	2				1812-2989-01	Mutter.....	Nut.....		
720	1				1812-2496-01	Slang, oljeavtappning.....	Oil drain assy.....		
730	1				1812-2880-01	Stag.....	Clutch rod.....		
740	1				1812-2971-01	Mutter.....	Nut.....		
750	1				9743-3621-32	Mutter.....	Nut.....		
760	1				1812-2959-01	Skruv.....	Capscrew.....		
780	1				1812-2966-01	Bricka.....	Flatwasher.....		

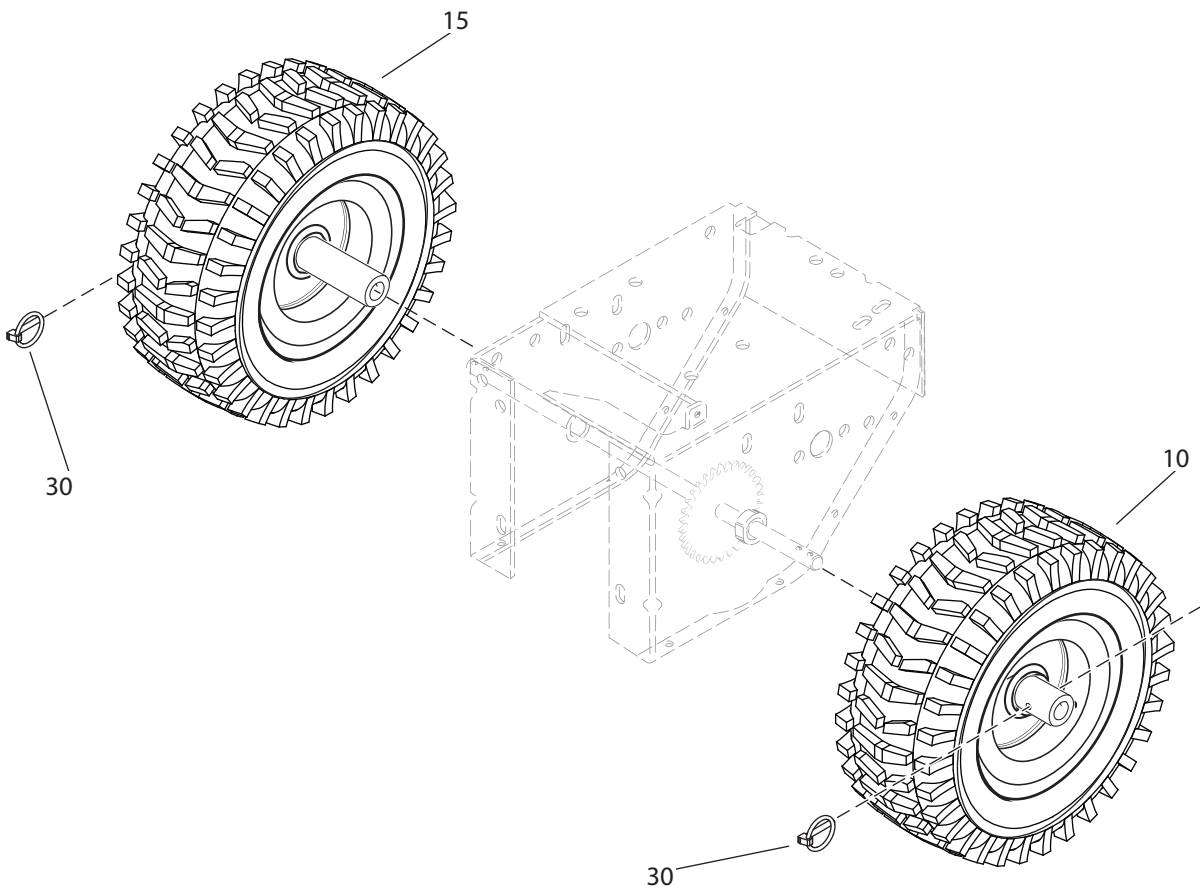


Utgåva Issue 2013-11		Bildnr Picture No 2859		1581 PRO RAM MOTOR		1581 PRO FRAME ENGINE		Sida Page 6	
Pos. Fig.	Antal/Quantity				Art nr Part No	Benämning	Description	Sats Kit	Anmärkning Notes
	2852								
55	4			1812-3118-01	Spännare .....	Retainer .....			
60	3			9743-3621-32	Mutter .....	Nut .....			
65	2			1812-3119-01	Mutter .....	Nut .....			
70	2			1812-3120-01	Skruv .....	Capscrew .....			
75	2			1812-3112-01	Skruv .....	Capscrew .....			
80	2			1812-3042-01	Bricka .....	Washer .....			
85	2			9699-0029-02	Bricka .....	Washer .....			
100	1			1812-3121-01	Remskiva, inre .....	Pulley, inside .....			
103	1			1812-3114-01	Remskiva, mittersta .....	Pulley, middle .....			
105	1			1812-3115-01	Remskiva, yttre .....	Pulley, outside .....			
180	1			1812-3116-01	Skruv .....	Capscrew .....			
190	1			1812-3122-01	Bricka .....	Washer .....			
200	1			1812-2944-01	Låsbricka .....	Lockwasher .....			
280	2			1812-2204-01	Remstyrning .....	Belt guide .....			
300	2			1812-2957-01	Skruv .....	Capscrew .....			
310	2			1812-2949-01	Bricka .....	Washer .....			
320	2			1812-2944-01	Låsbricka .....	Lockwasher .....			
340	1			1812-3080-01	Rem .....	Belt .....			
350	1			1812-3074-01	Rem .....	Belt .....			
360	1			1812-2874-01	Remskiva .....	Pulley .....			
380	1			1812-3002-01	Skruv .....	Screw .....			
400	1			1812-2969-01	Mutter .....	Nut .....			
420	1			1812-2845-01	Remskiva .....	Pulley .....			
430	1			1812-2987-01	Skruv .....	Screw .....			
490	1			1812-2995-01	Tryckfjäder .....	Extension spring .....			
510	1			1812-2855-01	Spännarm .....	Idler .....			
520	1			1812-2830-01	Låsnål .....	Pin .....			
530	2			1812-2869-01	Låsnål .....	Pin .....			
540	1			1812-2878-01	Tryckfjäder .....	Extension spring .....			
560	4			1812-3053-01	Skruv .....	Screw .....			
580	4			1812-2968-01	Mutter .....	Nut .....			
600	1			1812-3064-01	Bottenskydd .....	Cover, bottom .....			
610	2			1812-2473-01	Skruv .....	Screw .....			
630	1			1812-2871-01	Remskydd .....	Belt cover .....			
640	2			1812-2980-01	Nut .....	Speednut .....			
650	2			1812-2947-01	Skruv .....	Screw .....			
660	2			1812-2998-01	Bricka .....	Washer .....			
670	1			1812-2877-01	Stöd .....	Support .....			
680	4			1812-1833-01	Skruv .....	Screw .....			
690	1			1812-3079-01	Ram .....	Frame .....			
750	1			1812-2868-01	Stöd .....	Support .....			
760	2			1812-2254-01	Bult .....	Bolt .....			
770	2			1812-2980-01	Mutter .....	Nut .....			
1000	1			1812-2880-01	Stag .....	Clutch rod .....			
1120	1			1812-2971-01	Mutter .....	Nut .....			
1150	1			9743-3621-32	Mutter .....	Nut .....			
1160	1			1812-2959-01	Skruv .....	Capscrew .....			
1190	1			1812-2966-01	Bricka .....	Flatwasher .....			





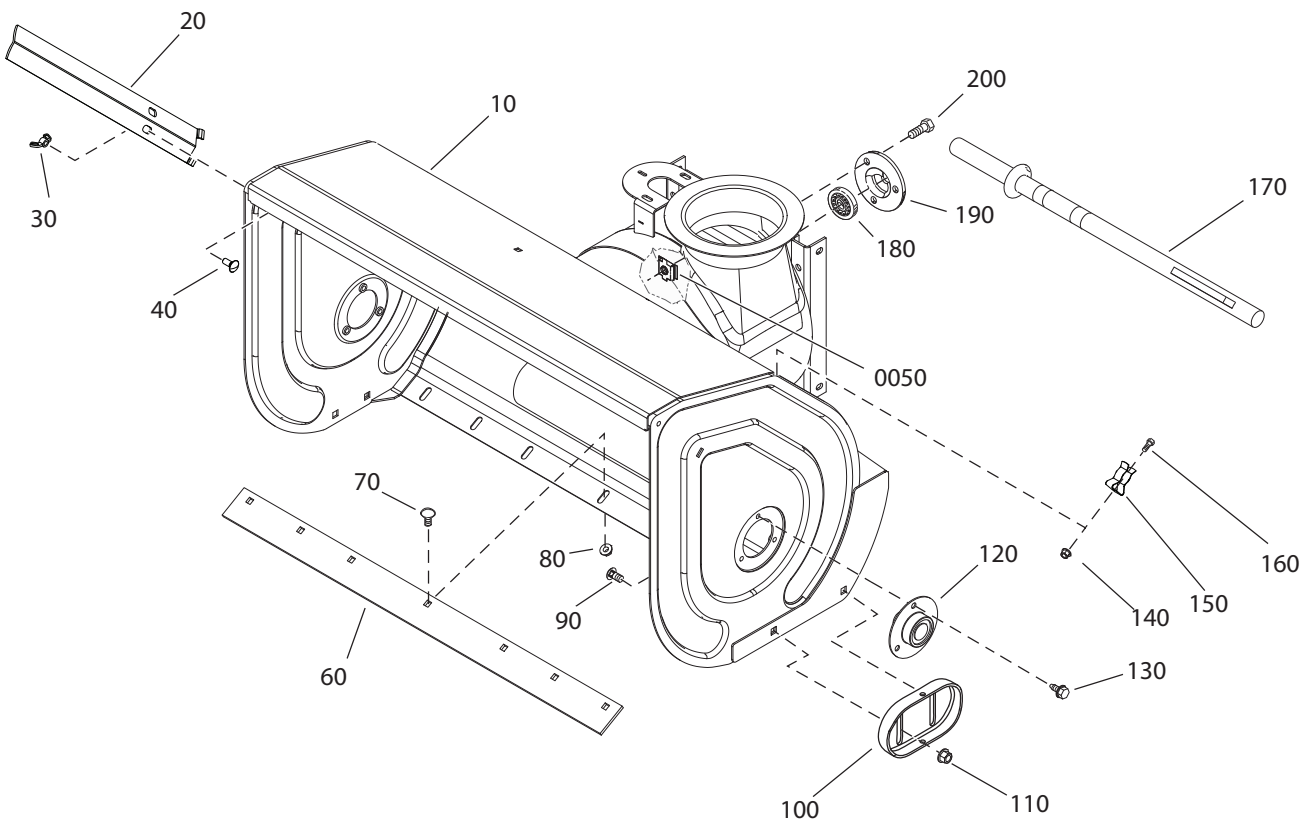
Utgåva Issue 2013-11		Bildnr Picture No 2860		1371 PRO - 1581 PRO DRIVNING		1371 PRO - 1581 PRO TRACTION DRIVE		Sida Page 8	
Pos. Fig.	Antal/Quantity			Art nr Part No	Benämning	Description	Sats Kit	Anmärkning Notes	
	2851	2852							
10	1	1		1812-2832-01	Bussning .....	Bushing .....			
20	1	1		1812-2901-01	Axel .....	Shaft .....			
30	1	1		1812-2847-01	Spännarm .....	Pivot arm .....			
30A	1	1		1812-2828-01	Kullager .....	Ball bearing .....			
30B	2	2		1812-2837-01	Bussning .....	Bushing .....			
30C	1	1		1812-2839-01	Bussning .....	Bushing .....			
40	2	2		1812-2251-01	Skruv .....	Screw .....			
50	1	1		1812-2848-01	Remskiva kpl .....	Pulley assy .....			
60	1	1		1812-2873-01	Tryckfjäder .....	Extension spring .....			
70	1	1		1812-3122-01	Bricka .....	Washer .....			
80	1	1		1812-2879-01	Hylsa .....	Collar .....			
90	1	1		1812-2990-01	Mutter .....	Nut .....			
100	1	1		1812-2900-01	Drev .....	Gear .....			
110	3	3		9699-0029-02	Bricka .....	Washer .....			
120	1	1		1812-2881-01	Drev kpl .....	Gear assy .....			
130	1	1		1812-3122-01	Bricka .....	Washer .....			
140	1	1		1812-2867-0	Bussning .....	Bushing .....			
150	1	1		1812-3022-01	Smörjnippel .....	Grease joint .....			
160	2	2		1812-3013-0	Skruv .....	Screw .....			
170	1	1		1812-2869-01	Låsnål .....	Pin .....			
180	1	1		1812-2875-01	Stag .....	Rod .....			
190	1	1		1812-2965-01	Bricka .....	Washer .....			
200	1	1		1812-2274-01	Kil .....	Key .....			
210	1	1		1812-2864-01	Disc drive .....	Disc drive .....			
220	4	4		1812-2965-01	Bricka .....	Washer .....			
230	1	1		1812-2862-01	Axel .....	Jackshaft .....			
240	1	1		1812-2866-01	Fjäder .....	Spring .....			
250	1	1		1812-2861-01	Glidkoppling .....	Clutch .....			
260	1	1		1812-2865-01	Kopplingsarm .....	Clutch arm .....			
270	1	1		1812-2999-01	Segersäkkring .....	Retainer ring .....			
280	1	1		1812-2860-01	Drev .....	Gear .....			
290	1	1		1812-2851-01	Distans .....	Spacer .....			
300	1	1		1812-2841-01	Kedjedrev .....	Sprocket .....			
310	1	1		1812-2859-01	Drev .....	Gear .....			
320	3	3		1812-2956-01	Skruv .....	Screw .....			
330	6	6		1812-2988-01	Mutter .....	Nut .....			
340	4	4		1812-2843-01	Lager .....	Retainer .....			
350	4	4		1812-2373-01	Kullager .....	Ball bearing .....			
360	8	8		1812-2641-01	Skruv .....	Screw .....			
370	1	1		1812-2876-01	Kedjedrev .....	Sprocket .....			
380	1	1		1812-2842-01	Hylsa .....	Collar .....			
390	2	2		1812-2870-01	Skruv .....	Screw .....			
400	2	2		1812-2850-01	Hylsa .....	Collar .....			
410	1	1		1812-2835-01	Låsnål .....	Pin .....			
420	1	1		1812-2831-01	Nav .....	Hub .....			
430	1	1		1812-2872-01	Fäste .....	Friction disk .....			
440	3	3		1812-2955-01	Skruv .....	Screw .....			
450	1	1		1812-2898-01	Axel .....	Shaft .....			
460	1	1		1812-2897-01	Skruv .....	Screw .....			
470	1	1		1812-2833-01	Bussning .....	Bushing .....			
480	1	1		1812-2854-01	Hävarm .....	Bellcrank .....			
490	1	1		1812-2846-01	Växelarm .....	Shift arm .....			
500	1	1		1812-2834-01	Bussning .....	Bushing .....			
510	1	1		9699-0026-02	Bricka .....	Washer .....			
520	1	1		1812-2964-01	Skruv .....	Capscrew .....			
530	1	1		1812-2844-01	Fjäder .....	Spring .....			
540	1	1		1812-2840-01	Kedjerulle .....	Chain roller .....			
550	1	1		1812-2991-01	Mutter .....	Nut .....			
580	1	1		1812-2899-01	Segersäkkring .....	Retainer ring .....			
590	1	1		1812-2967-01	Bricka .....	Washer .....			
600	2	2		1812-3054-01	Mutter .....	Nut .....			



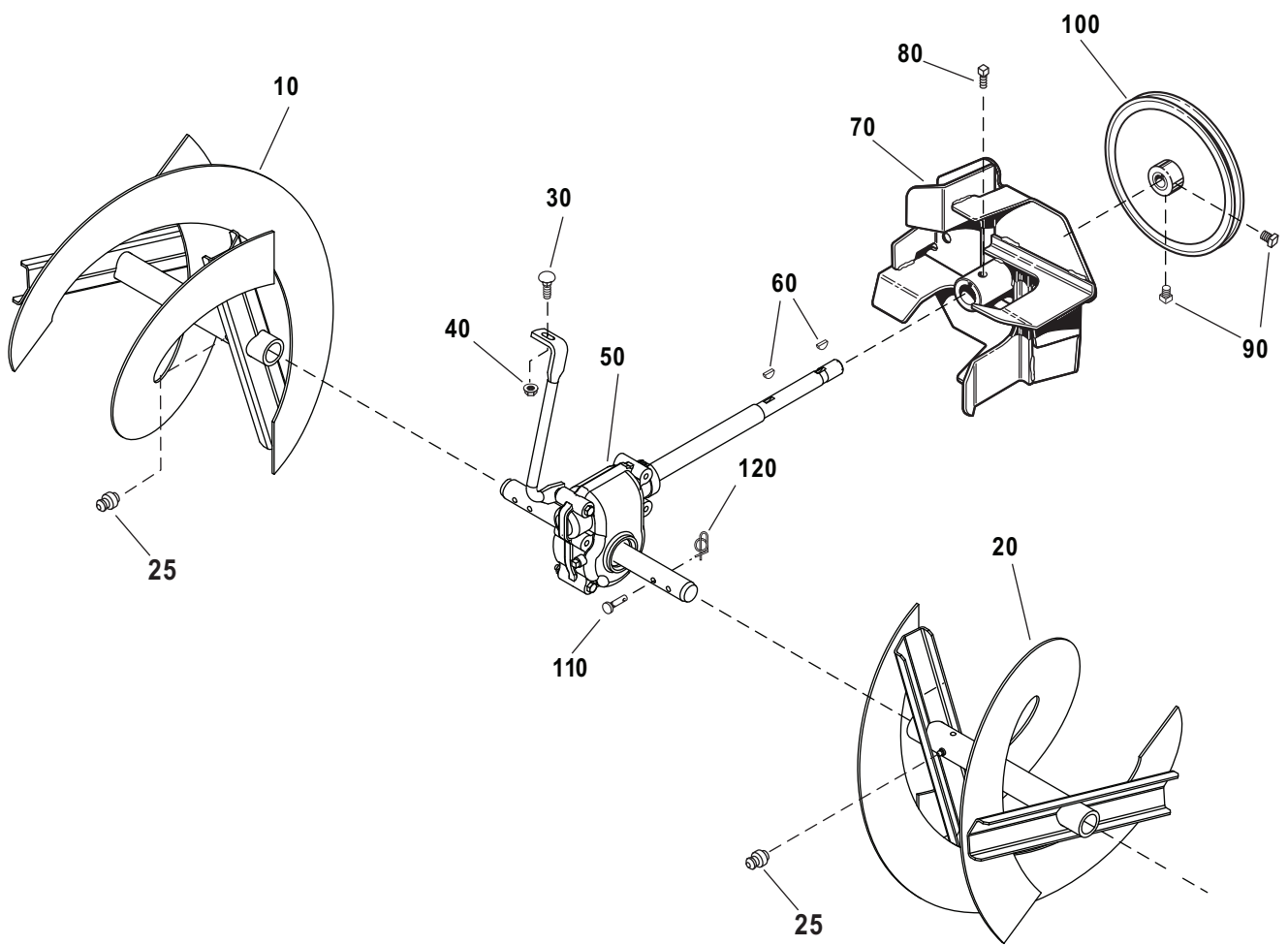
**STIGA**

2738C  
SPARE PARTS

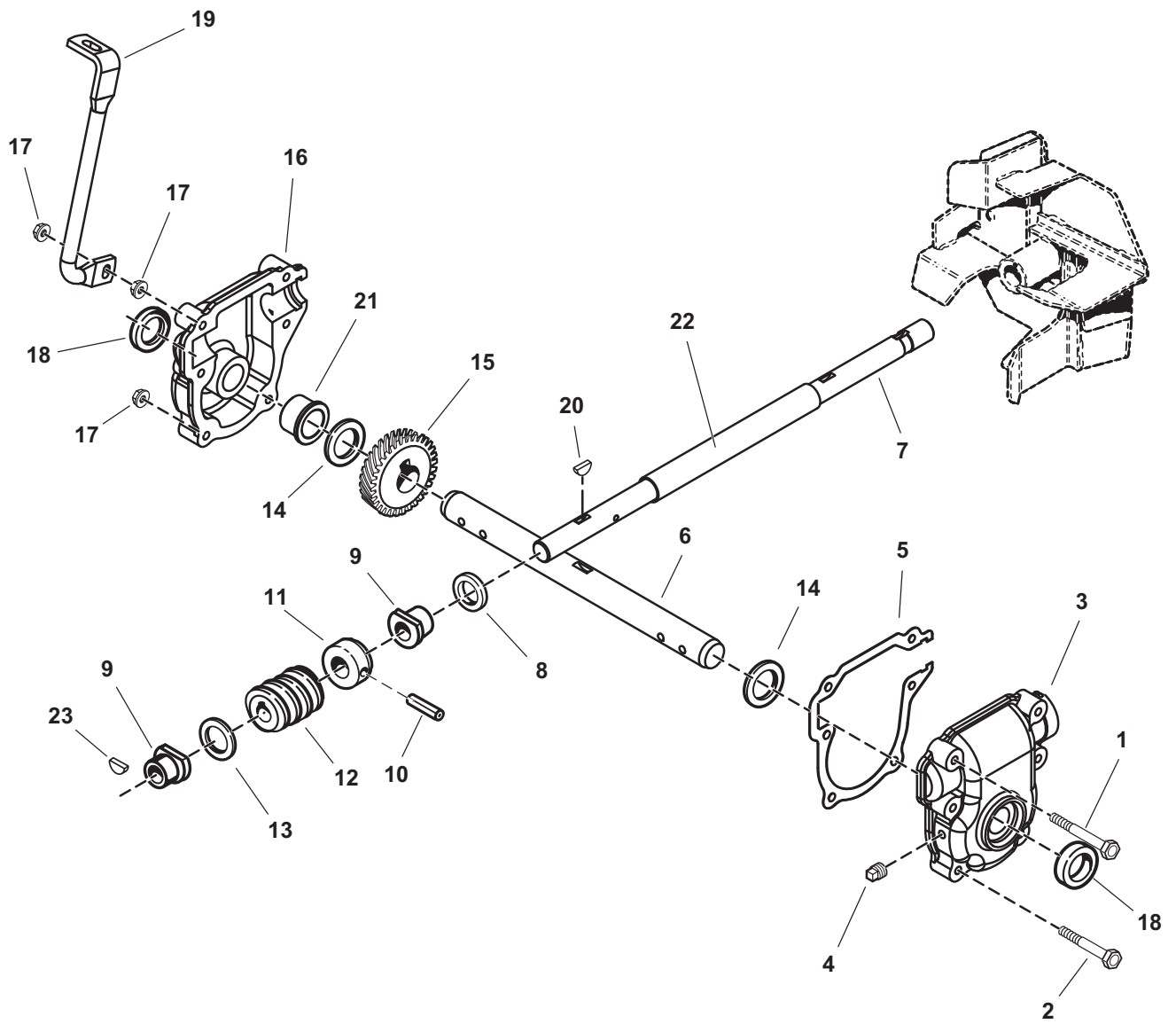
Utgåva Issue 2013-11		Bildnr Picture No 2738C		1371 PRO - 1581 PRO HJUL		1371 PRO - 1581 PRO WHEELS		Sida Page 10	
Pos. Fig.	Antal/Quantity			Art nr Part No	Benämning	Description	Sats Kit	Anmärkning Notes	
	2851	2852							
10	1	1		1812-3081-01	Hjul kpl-vä.....	Wheel assy-LH.....			
15	1	1		1812-3083-01	Hjul kpl-hö.....	Wheel assy-RH.....			
30	2	2		1812-2882-01	Låsring.....	Pin.....			



Utgåva Issue 2013-11		Bildnr Picture No 2739C		1371 PRO - 1581 PRO INMATNINGSHUS		1371 PRO - 1581 PRO AUGER HOUSING		Sida Page 12	
Pos. Fig.	Antal/Quantity			Art nr Part No	Benämning	Description	Sats Kit	Anmärkning Notes	
	2851	2852							
10	1			1812-3061-01	Inmatningshus.....	Auger housing.....		28" (71 cm)	
10		1		1812-3062-01	Inmatningshus.....	Auger housing.....		32" (81 cm)	
20	2	2		1812-2378-01	Drivskär.....	Drift cutter.....			
30	2	2		1812-2359-01	Vingmutter.....	Wing nut.....			
40	2	2		9899-3622-16	Skruv.....	Screw.....			
50	3	3		9743-3621-32	Mutter.....	Nut.....			
60	1			1812-2856-01	Skrapskär.....	Scraper blade.....		28" (71 cm)	
60		1		1812-2857-01	Skrapskär.....	Scraper blade.....		32" (81 cm)	
70	7	5		1812-2264-01	Vagnsbult.....	Carriage bolt.....			
80	7	5		9727-3641-22	Mutter.....	Nut.....			
90	4	4		9899-3725-16	Skruv.....	Screw.....			
100	2	2		1812-2918-01	Släpsko.....	Skid shoe.....			
110	4	4		1132-0695-01	Mutter.....	Nut.....			
120	2	2		1812-2891-01	Kullager.....	Ball bearing.....			
130	6	6		1812-2141-01	Skruv.....	Screw.....			
140	2	2		1812-1912-01	Mutter.....	Nut.....			
150	2	2		1812-2413-01	Klämma.....	Spring clamp.....			
160	2	2		1812-2480-01	Skruv.....	Screw.....			
170	1	1		1812-2400-01	Borste.....	Cleanout brush.....			
180	1	1		1812-2994-01	Lager.....	Greased bearing.....			
190	1	1		1812-2829-01	Lagerhållare.....	Bearing retainer.....			
200	3	3		9899-3625-16	Skruv.....	Screw.....			

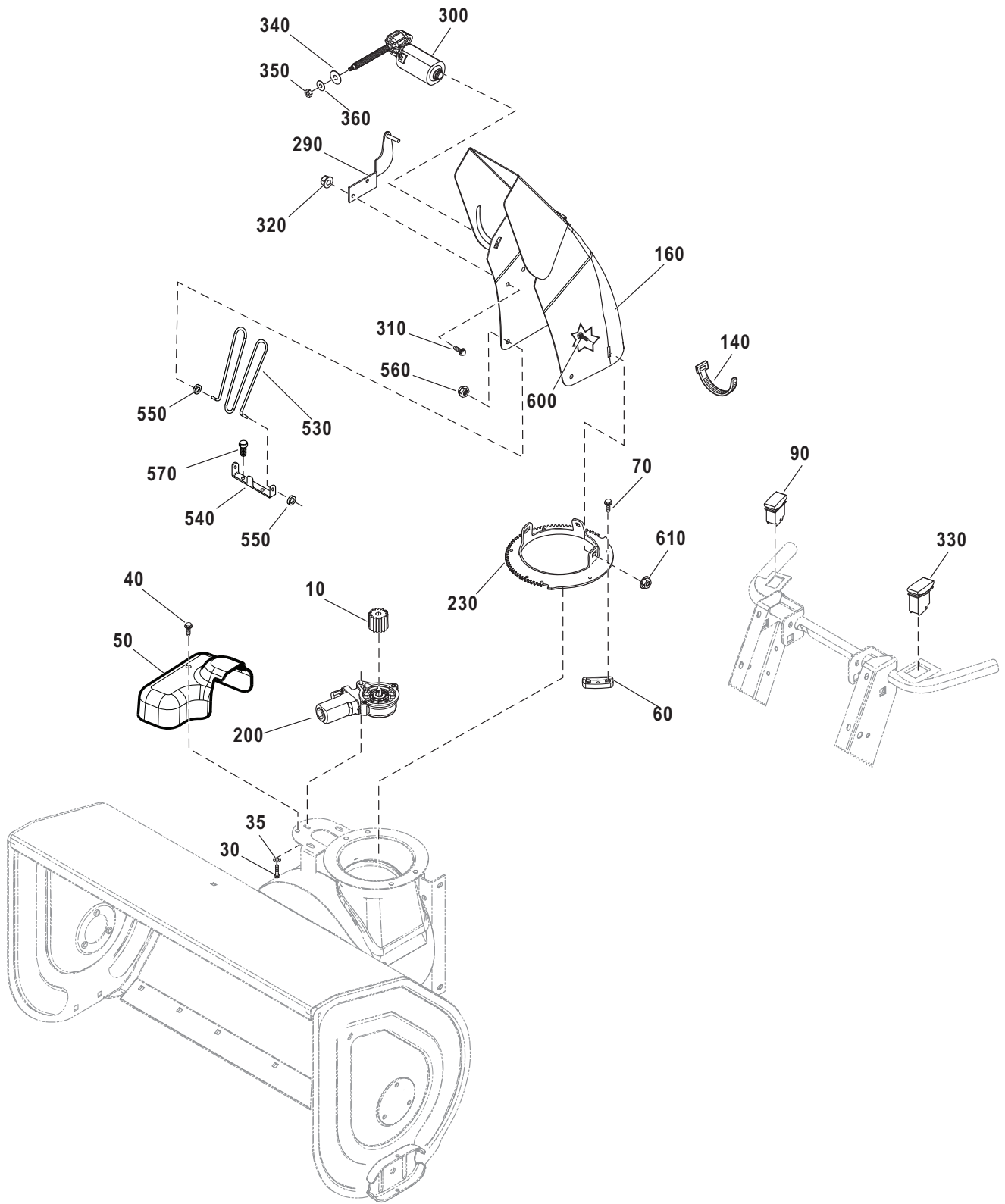


Utgåva Issue 2013-11		Bildnr Picture No 2740A		1371 PRO - 1581 PRO SNÖSKRUV		1371 PRO - 1581 PRO AUGER DRIVE		Sida Page 14	
Pos. Fig.	Antal/Quantity			Art nr Part No	Benämning	Description	Sats Kit	Anmärkning Notes	
	2851	2852							
10	1			1812-2893-01	Snöskruv-hö.....	Auger-RH.....			
10		1		1812-2895-01	Snöskruv-hö.....	Auger-RH.....			
20	1			1812-2892-01	Snöskruv-vä.....	Auger-LH.....			
20		1		1812-2894-01	Snöskruv-vä.....	Auger-LH.....			
25	2	2		1812-2646-01	Smörjnippel.....	Lube fitting.....			
30	1	1		9899-3625-16	Skruv.....	Screw.....			
40	1	1		9727-3641-22	Mutter.....	Nut.....			
50	1	1		1812-2175-01	Snäckväxel kpl.....	Gearbox assy.....			
60	2	2		1812-2274-01	Kil.....	Key.....			
70	1	1		1812-2827-01	Fläkt.....	Impeller.....			
80	1	1		1812-2262-01	Skruv.....	Screw.....			
90	2	2		1812-2251-01	Skruv.....	Screw.....			
100	1	1		1812-2883-01	Remskiva.....	Pulley.....			
110	1	1		1812-9029-01	Brytbultsats.....	Shear bolt kit.....		Sats 2 st/kit of 2	
120	2	2		1812-2563-01	Låsnål.....	Cotter pin.....			

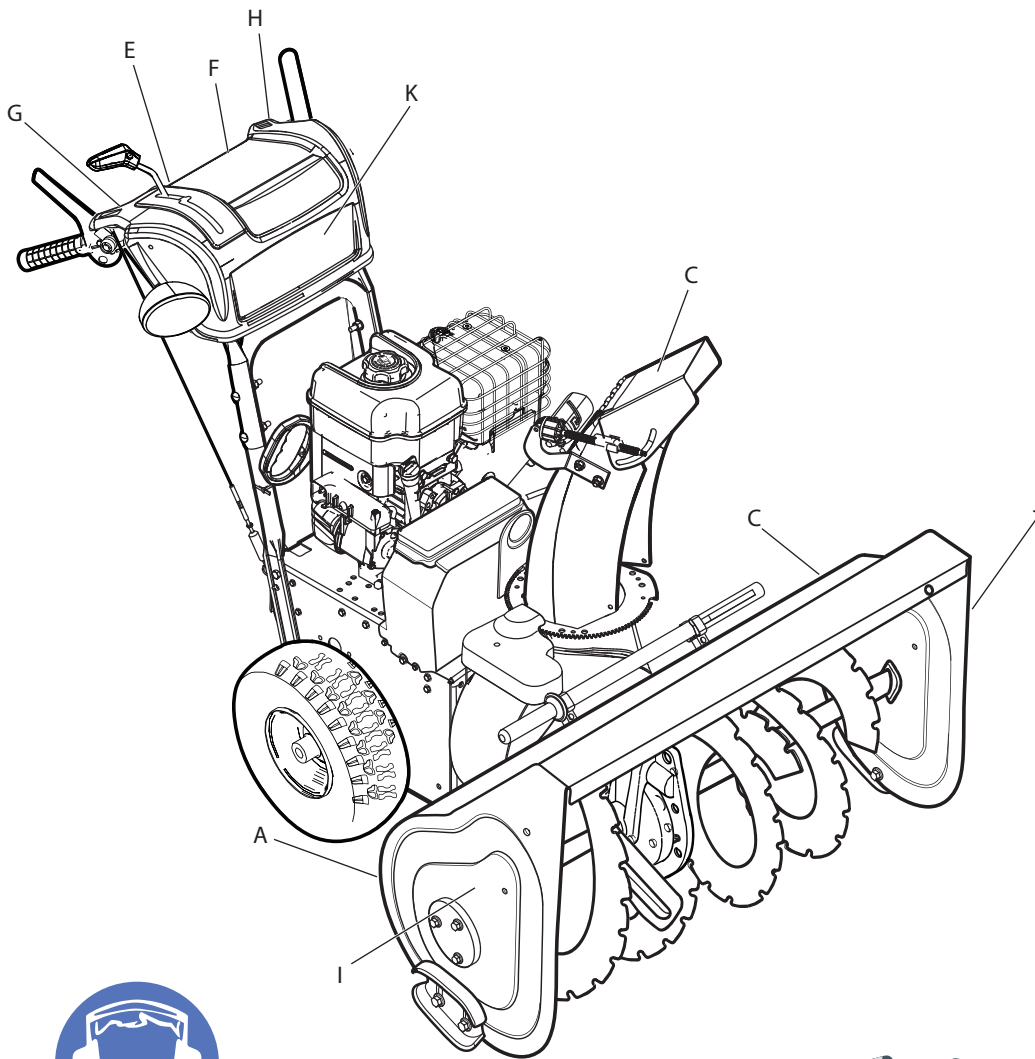




Utgåva Issue 2013-11		Bildnr Picture No 2186		1371 PRO - 1581 PRO SNÄCKVÄXEL		1371 PRO - 1581 PRO GEAR CASE		Sida Page 16	
Pos. Fig.	Antal/Quantity			Art nr Part No	Benämning	Description	Sats Kit	Anmärkning Notes	
	2851	2852							
1	1	1		9988-3564-12	Skruv.....	Screw.....		L = 64 mm L = 57 mm	
2	5	5		9988-3557-12	Skruv.....	Screw.....			
3	1	1		1812-2132-01	Växelhus-vä.....	Gear case-LH.....			
4	1	1		1812-2146-01	Plugg.....	Plug.....			
5	1	1		1812-2130-01	Packning.....	Gasket.....			
6	1	1		1812-2181-01	Axel.....	Auger shaft.....			
7	1	1		1812-2173-01	Axel.....	Worm shaft.....			
8	1	1		1812-2128-01	Tätningring.....	Oil seal.....			
9	2	2		1812-2136-01	Flänsbussning.....	Flange bushing.....			
10	1	1		1812-2277-01	Stift.....	Drive lock pin.....			
11	1	1		1812-2131-01	Hylsa.....	Thrust collar.....			
12	1	1		1812-2135-01	Snäckskruv.....	Worm.....			
13	1	1		1812-2271-01	Tryckbricka.....	Thrust washer.....			
14	2	2		1812-2270-01	Tryckbricka.....	Thrust washer.....			
15	1	1		1812-2134-01	Snäckdrev.....	Worm gear.....			
16	1	1		1812-2133-01	Växelhus-hö.....	Gear case-RH.....			
17	7	7		9743-3521-32	Mutter.....	Nut.....			
18	2	2		1812-2269-01	Tätningring.....	Seal.....			
19	1	1		1812-2172-01	Stag.....	Bracket.....			
20	1	1		1812-2274-01	Kil.....	Key.....			
21	2	2		1812-2198-01	Bussning.....	Bushing.....			
22	1	1		1812-2129-01	Rör.....	Tube.....			
23	1	1		1812-2276-01	Kil.....	Key.....			



Utgåva Issue 2013-11		Bildnr Picture No 2741A		1371 PRO - 1581 PRO UTKAST		1371 PRO - 1581 PRO DISCHARGE CHUTE		Sida Page 18	
Pos. Fig.	Antal/Quantity			Art nr Part No	Benämning	Description	Sats Kit	Anmärkning Notes	
	2851	2852							
X 10	1	1		1812-2375-01	Drev .....	Pinion .....			
30	3	3		1812-2741-01	Skruv.....	Screw.....			
35	3	3		9699-0099-02	Bricka .....	Washer.....			
40	1	1		1812-2474-01	Skruv.....	Screw.....			
50	1	1		1812-2415-01	Lock.....	Cover.....			
60	3	3		1812-2280-01	Hållare .....	Retainer .....			
70	6	6		1812-2257-01	Skruv.....	Screw.....			
90	1	1		1812-2533-01	Strömbrytare .....	Switch-chute rotate .....			
140	1	1		1812-2371-01	Buntband.....	Self lock tie .....			
160	1	1		1812-2427-01	Utkast.....	Chute .....			
X 200	1	1		1812-2735-01	Motor-rotation .....	Motor-spout rotator .....			
230	1	1		1812-2422-01	Ringdrev .....	Chute gear .....			
290	1	1		1812-2435-01	Stag .....	Bracket .....			
300	1	1		1812-2421-01	Motor .....	Motor, chute deflect .....			
310	2	2		1812-2265-01	Skruv.....	Screw.....			
320	2	2		9743-3521-32	Mutter .....	Nut.....			
X 330	1	1		1812-2730-01	Brytare .....	Switch, defl.control.....			
340	1	1		1812-2431-01	Gummibricka.....	Rubber washer .....			
350	1	1		1812-2432-01	Mutter (vä-gängad).....	Nut (left hand).....			
360	1	1		1812-2484-01	Bricka .....	Washer.....			
530	1	1		1812-2381-01	Utkastskydd.....	Chute guard .....			
540	1	1		1812-2416-01	Fäste.....	Chute guard brkt .....			
550	2	2		1812-2426-01	Hylsa.....	Grommet .....			
560	2	2		1812-2478-01	Snabbmutter.....	Push nut.....			
570	2	2		1812-2473-01	Skruv.....	Screw.....			
600	2	2		1812-2254-01	Vagnsbult.....	Carriage bolt.....			
610	2	2		9795-3531-02	Mutter .....	Nut.....			



C



A



G



H



I

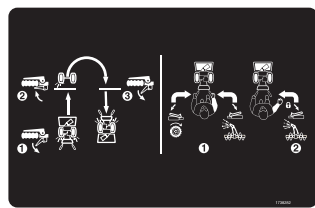
J



K



C



F



E



Utgåva Issue 2013-11		Bildnr Picture No 2787B		1371 PRO - 1581 PRO DEKALER		1371 PRO - 1581 PRO LABELS		Sida Page 20	
Pos. Fig.	Antal/Quantity				Art nr Part No	Benämning	Description	Sats Kit	Anmärkning Notes
	2851	2852							
1 1	1	1			1812-2704-02 1812-2705-02	Dekalsats..... Dekalsats.....	Label kit ..... Label kit .....		1371 1581