

# Genuine Spare Parts

www.stiga.com

## SNOW PRISMA Model Year 2011/12

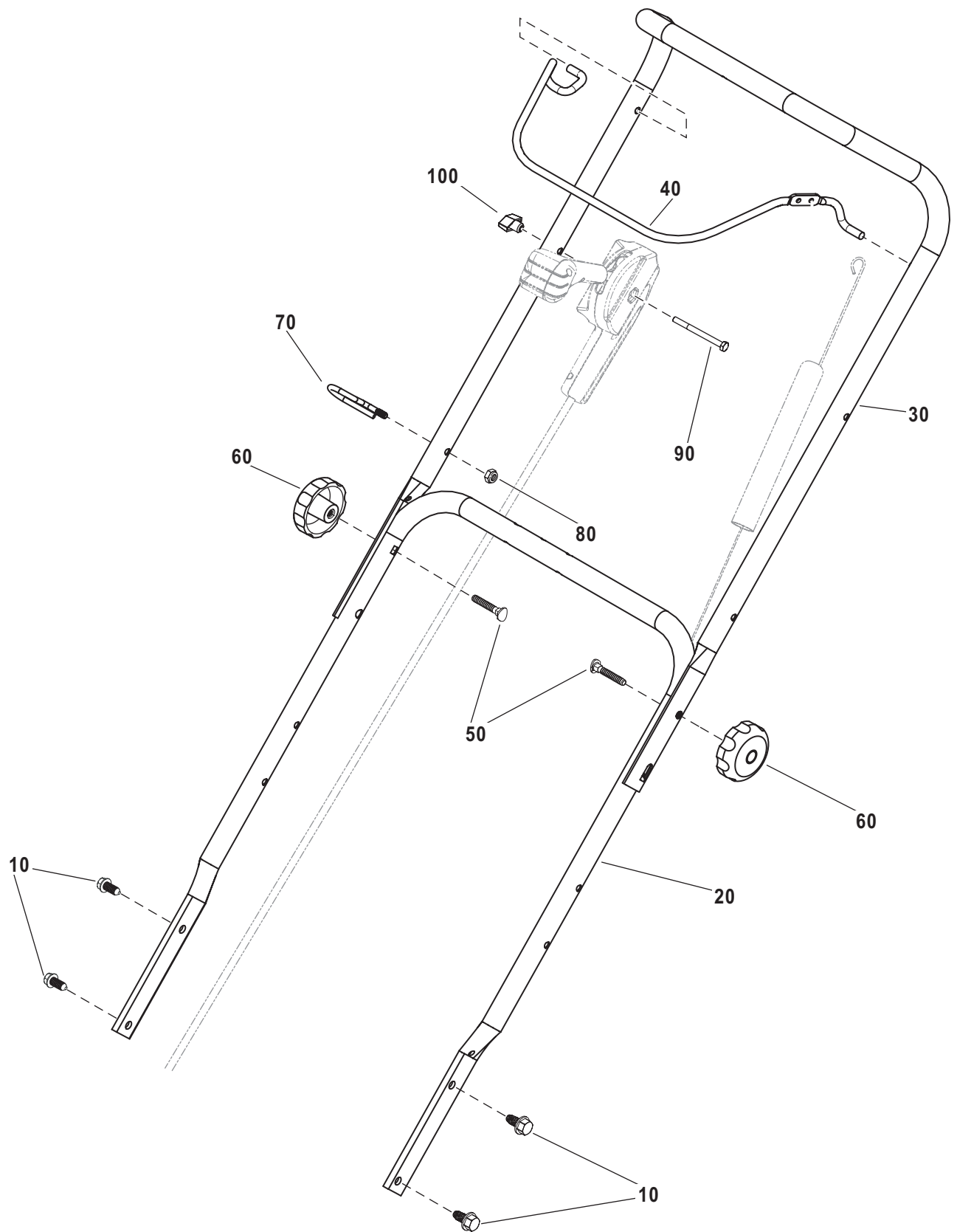
includes:  
18-2805-31 Snow Prisma

- Use GLOBAL GARDEN PRODUCT Genuine Spare Parts specified in the parts list for repair and/or replacement.
- The contents described in the parts list may change due to improvement.
- The drawings of the spare parts are only indicative and might not represent the part in question exactly.
- The indications "right" - "left" - "front" - "rear" refer to the position of the operator when using the machine.
- When placing orders of parts for repair and/or replacement, make sure that the illustrated parts list is the one applying to the machine's year of manufacture, as shown on the identification plate attached to the machine.

COPYRIGHT by GLOBAL GARDEN PRODUCTS

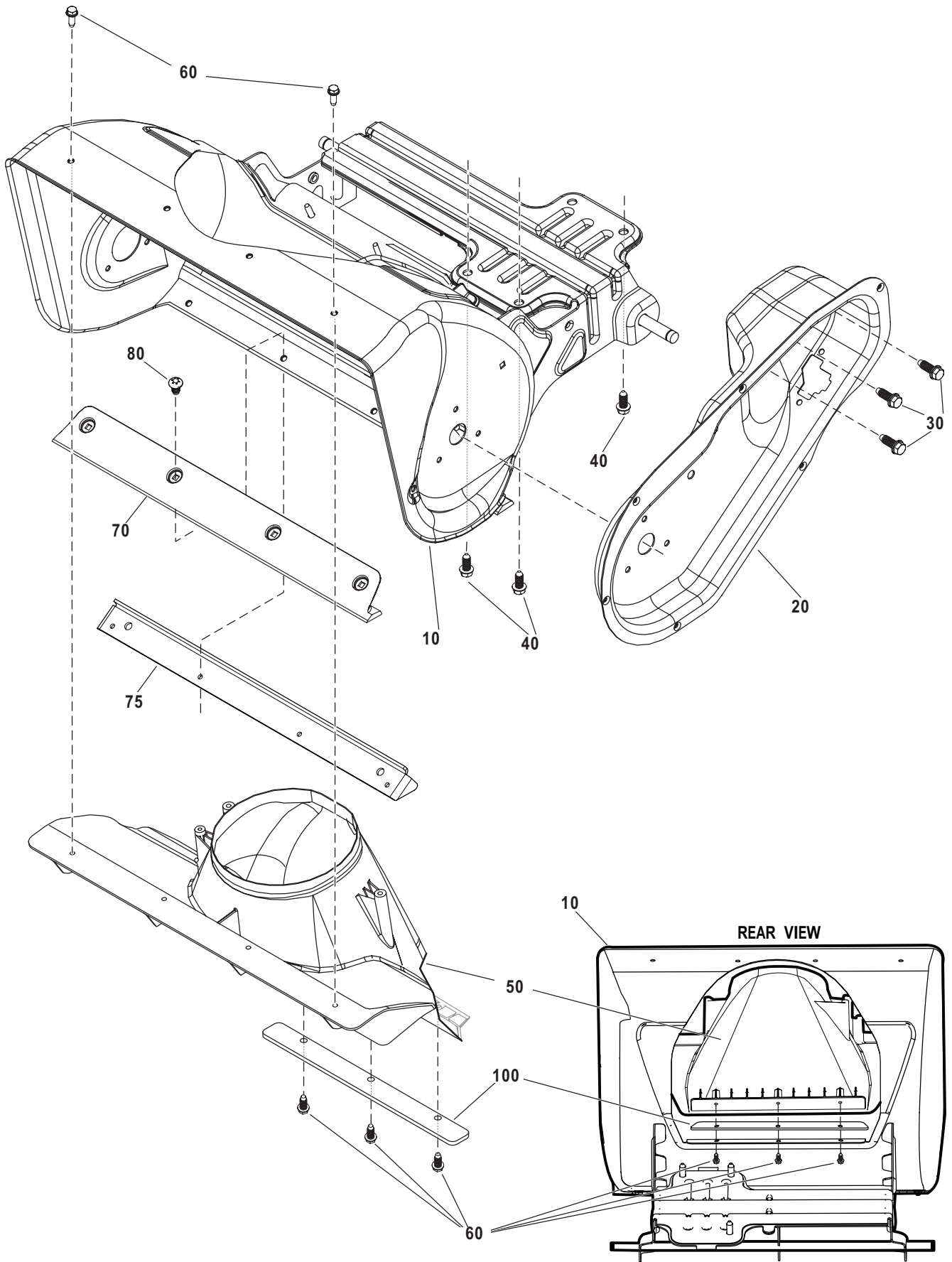
All rights reserved. No part of this material may be reproduced or transmitted, in any form or by any means, electronic or mechanical, including photocopying, recording or by any information storage and retrieval system, without permission in writing from GLOBAL GARDEN PRODUCTS.



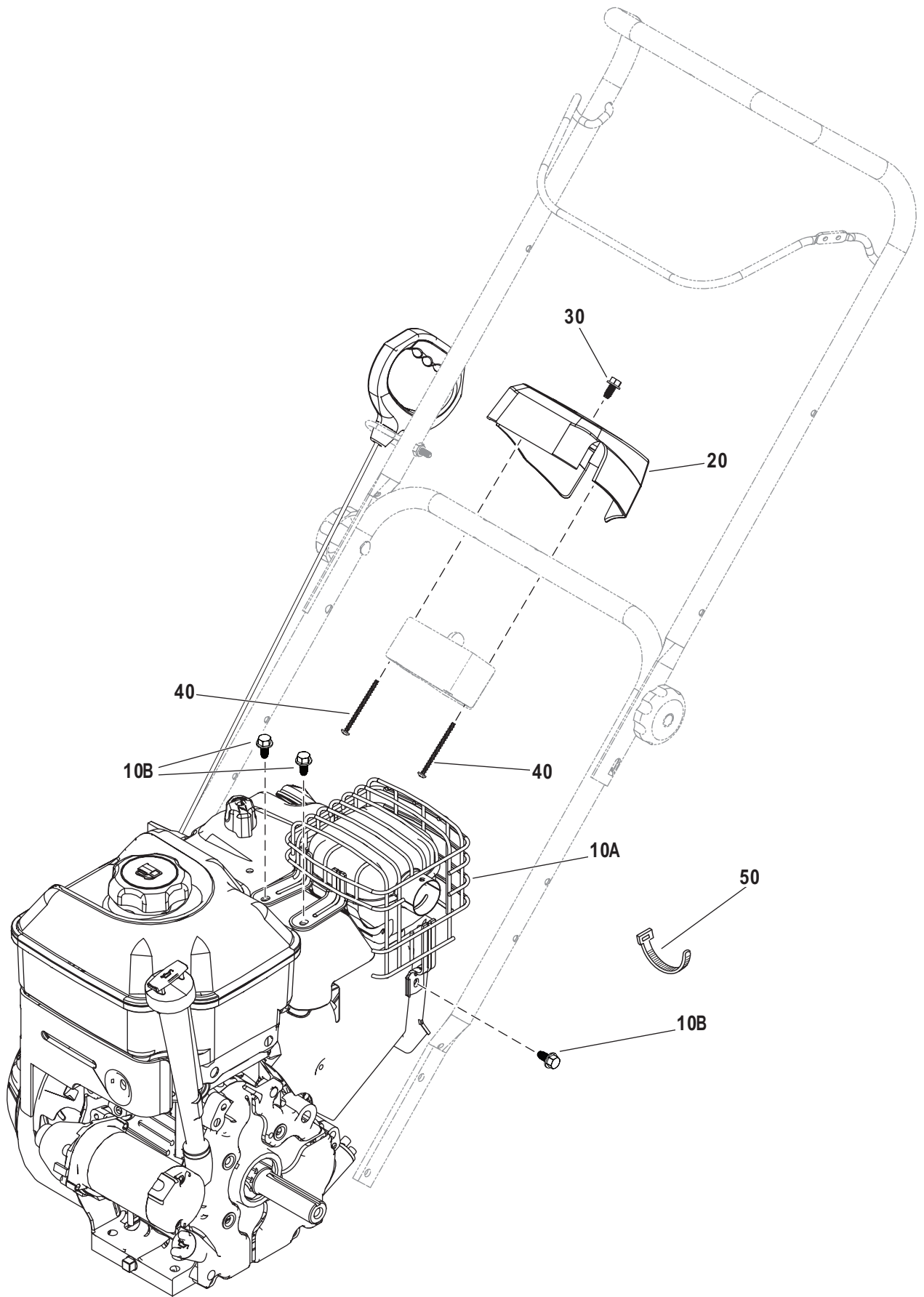


Utgåva Issue		Bildnr Picture No		SNOW PRISMA STYRE REGLAGE		SNOW PRISMA HANDLE CONTROLS		Sida Page	
Pos. Fig.	Antal/Quantity				Art nr Part No	Benämning	Description	Sats Kit	Anmärkning Notes
	2805 -31								
10	4				1812-2641-01 Skruv .....	Screw .....			Ej ill/not ill.
20	1				1812-2568-01 Styre- undre .....	Handlebar- lower .....			
30	1				1812-2569-01 Styre- övre .....	Handlebar- upper .....			
40	1				1812-2567-01 Reglagebygel .....	Engine stop bail .....			
50	2				1812-2653-01 Vagnsbult .....	Carriage bolt .....			
60	2				1812-2499-01 Lås ratt .....	Handle knob .....			
70	1				1812-2572-01 Snörguide .....	Rope guide .....			
80	1				9743-3521-32 Mutter .....	Nut .....			
90	1				1812-2656-01 Skruv .....	Cap screw .....			
100	1				1812-2493-01 Lås ratt .....	Handle knob .....			
999	1				8218-2255-20 Bruksanvisning .....	Owner's manual .....			

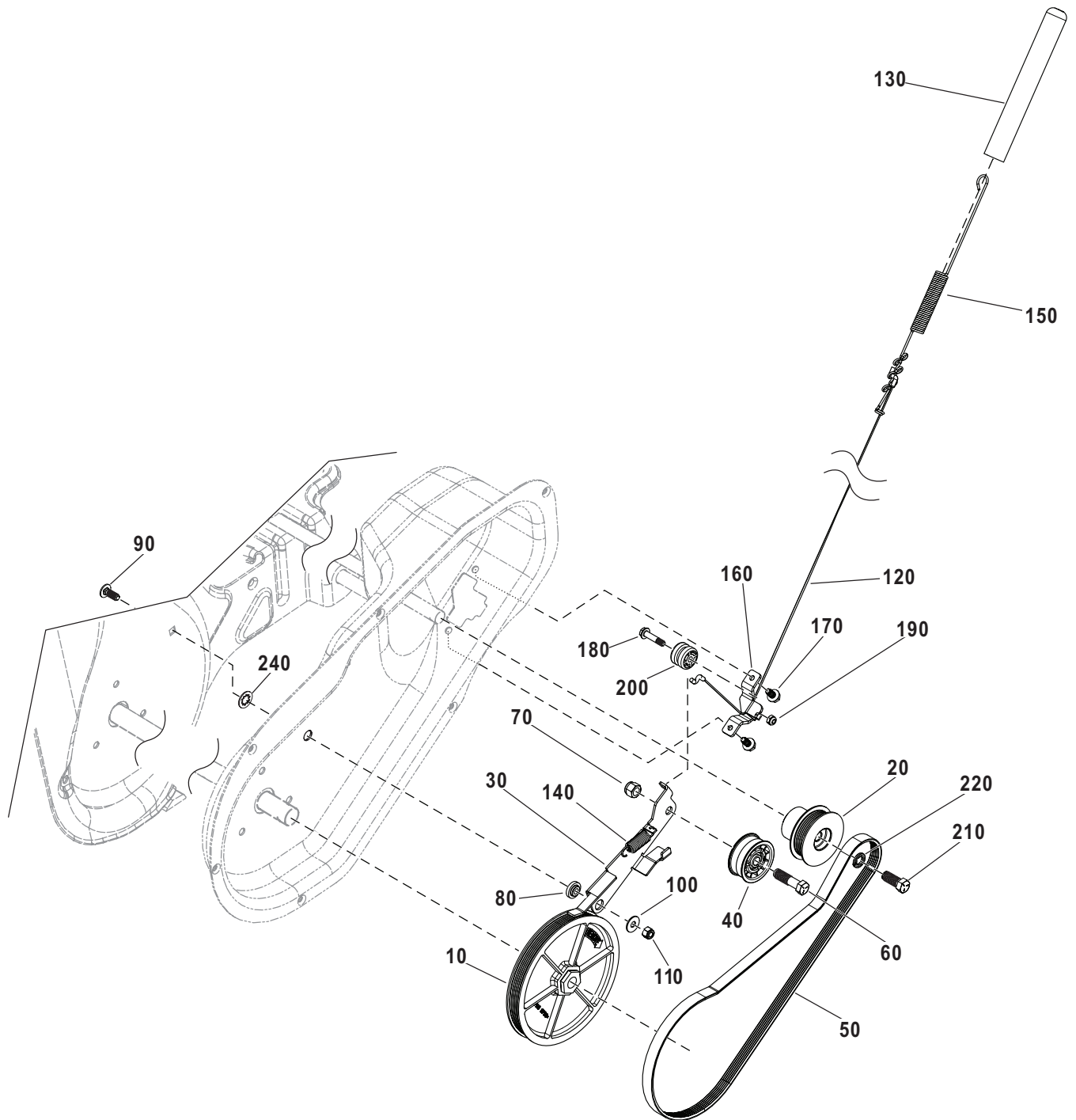
X



Utgåva Issue		Bildnr Picture No		SNOW PRISMA RAM		SNOW PRISMA FRAME		Sida Page	
2011-14		2763A						16	
Pos. Fig.	Antal/Quantity				Art nr Part No	Benämning	Description	Sats Kit	Anmärkning Notes
	2805 -31								
X	10	1			1812-2558-01	Ram kpl .....	Frame assy.....		before s/n 2014654023
X	20	1			1812-2555-01	Transmissionshus .....	Drive housing.....		
X	30	3			9987-5119-16	Skruv .....	Screw.....		
X	40	3			9955-3732-12	Skruv .....	Screw.....		
X	50	1			1812-2578-01	Utkaströr .....	Chimney.....		
X	60	5			1812-2618-01	Skruv .....	Screw.....		
X	70	1			1812-2713-01	Skrapskär .....	Scraper bar .....		
X	75	1			1812-2762-01	Stöd.....	Support.....		
X	80	4			1812-2766-01	Skruv .....	Screw.....		
X	100	1			1812-2752-01	Distans .....	Spacer, chimney.....		



Utgåva Issue		Bildnr Picture No		SNOW PRISMA MOTOR		SNOW PRISMA ENGINE		Sida Page	
2011-14		2764A						18	
Pos. Fig.	Antal/Quantity				Art nr Part No	Benämning	Description	Sats Kit	Anmärkning Notes
	2805 -31								
10A	1				1812-2497-01	Ljuddämparskydd.....	Muffler guard .....		B&S- part  L=2½"
10B	3				699854	Skruv .....	Screw .....		
20	1				1812-2612-01	Starthus.....	Starter housing .....		
30	1				1812-2619-01	Skruv.....	Screw .....		
40	2				1812-2624-01	Skruv.....	Screw .....		
50	4				9579-0003-00	Buntband .....	Cable holder .....		

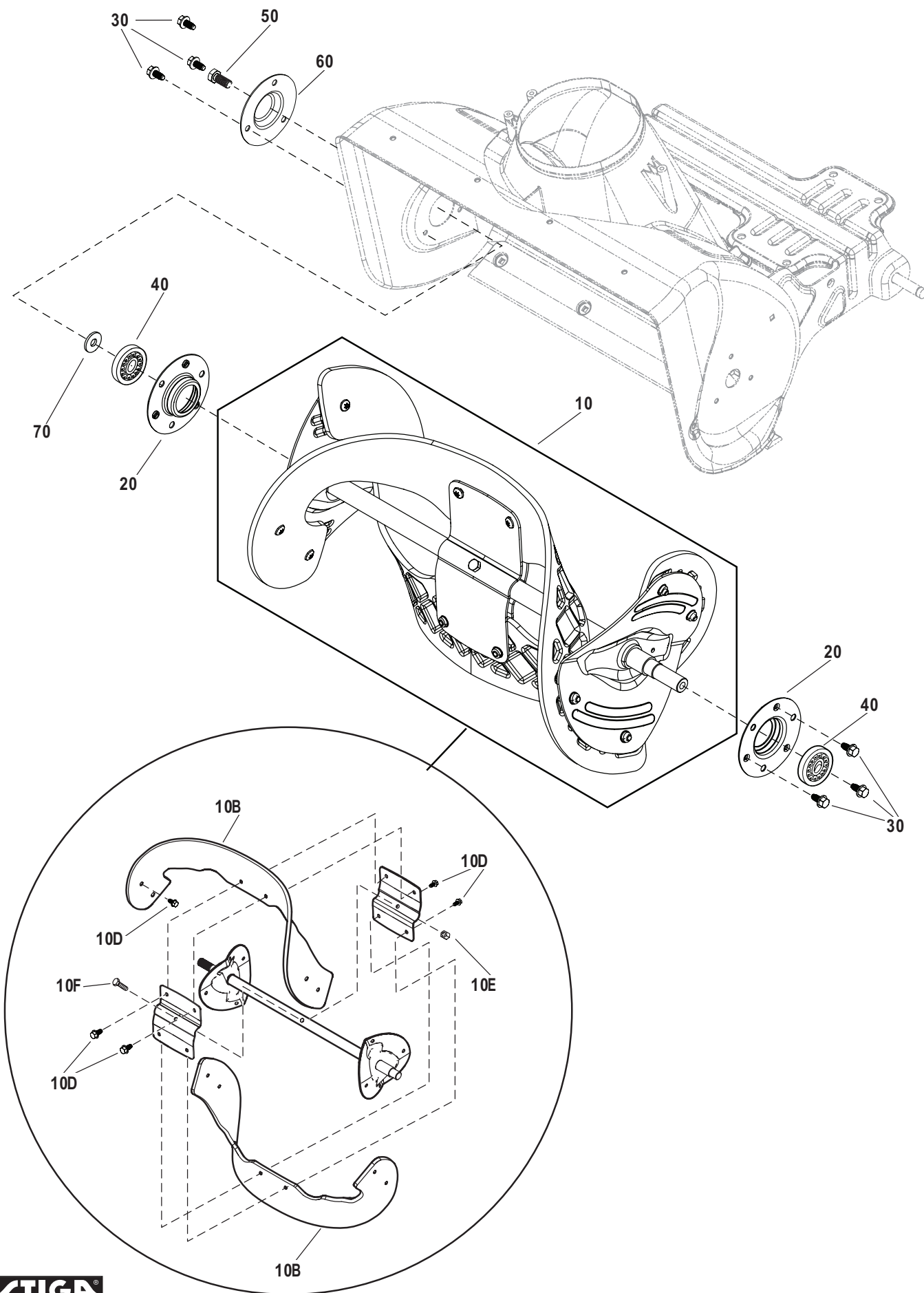




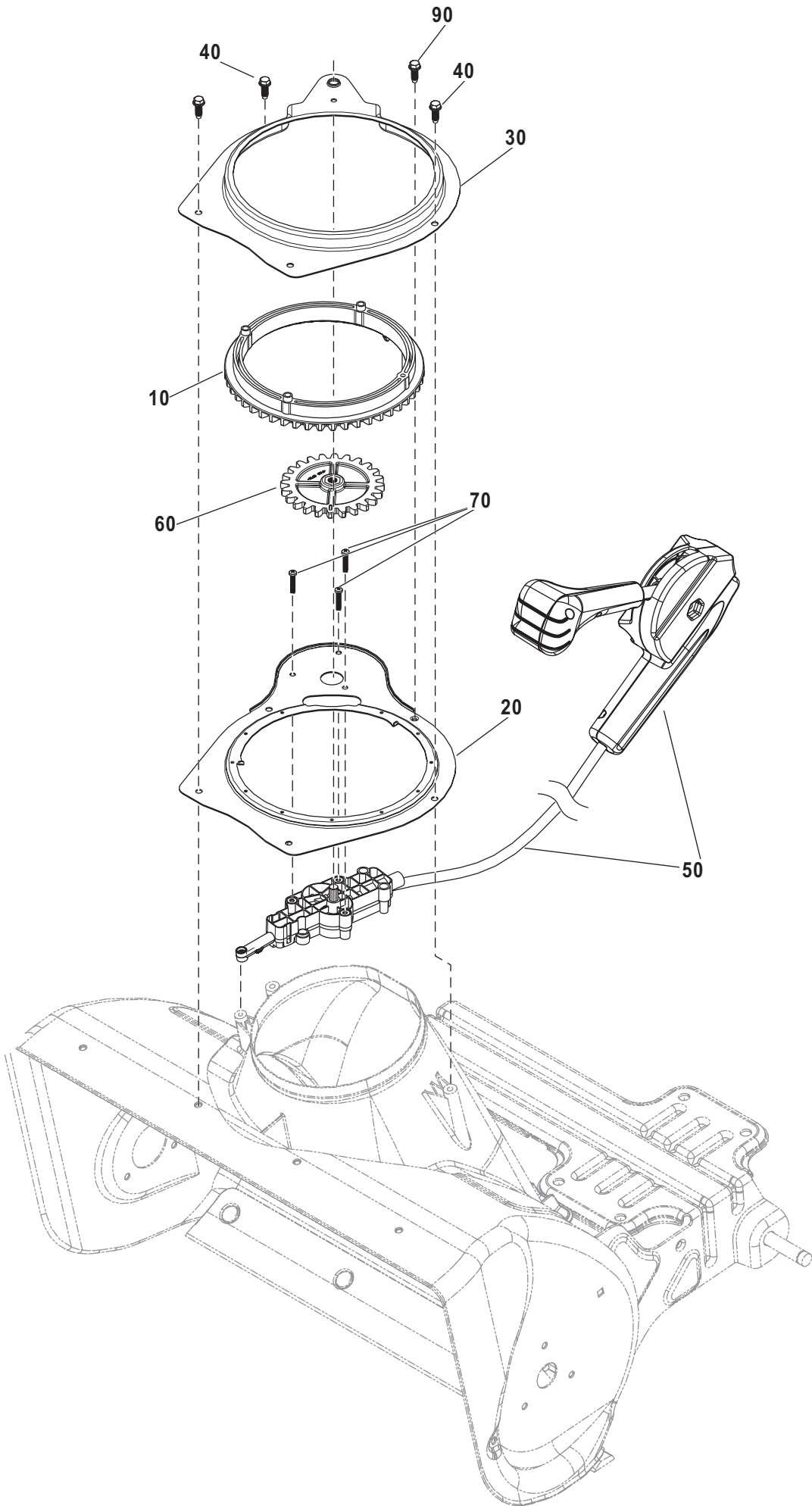
Utgåva Issue		Bildnr Picture No		SNOW PRISMA DRIVNING SNÖSKRUV		SNOW PRISMA AUGER DRIVE		Sida Page	
2011-14		2771A						20	
Pos. Fig.	Antal/Quantity				Art nr Part No	Benämning	Description	Sats Kit	Anmärkning Notes
	2805 -31								
10	1				1812-2602-01	Remskiva- sekundär .....	Pulley- driven .....		
20	1				1812-2557-01	Remskiva- primär .....	Pulley- driver .....		
30	1				1812-2577-01	Spännarm .....	Idler drive arm .....		
40	1				1812-2077-01	Spännrulle .....	Tension roller .....		
50	1				1812-2566-01	Drivrem .....	Drive belt.....		
60	1				9988-3738-12	Skruv .....	Screw .....		
70	1				9743-3721-32	Mutter .....	Nut .....		
80	1				1812-2601-01	Distans .....	Spacer .....		
90	1				1812-2642-01	Vagnsbult .....	Carriage bolt .....		
100	1				1812-2654-01	Bricka .....	Flat washer.....		
110	1				9743-3521-32	Mutter .....	Nut .....		
120	1				1812-2126-01	Reglagewire.....	Drive cable .....		
130	1				1812-2608-01	Fjäderhylsa .....	Clutch spring boot .....		
140	1				1812-2615-01	Fjäder.....	Idler spring .....		
150	1				1812-2616-01	Fjäder.....	Extension spring .....		
160	1				1812-2617-01	Fäste.....	Cable guide bracket.....		
170	2				1812-2619-01	Skruv .....	Screw .....		
180	1				1812-2625-01	Skruv .....	Cap screw .....		
190	1				1812-2651-01	Mutter .....	Nut .....		
200	1				1812-1205-01	Spole .....	Spool .....		
210	1				1812-2079-01	Skruv .....	Screw .....		
220	1				9683-0035-02	Låsbricka .....	Lock washer.....		
X 240	1				1812-2763-01	Låsbricka .....	Push nut .....		



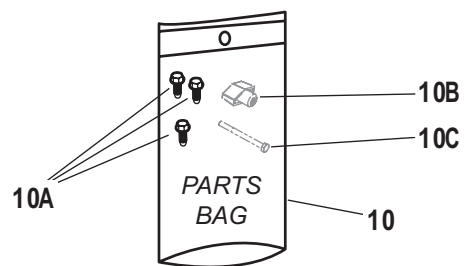
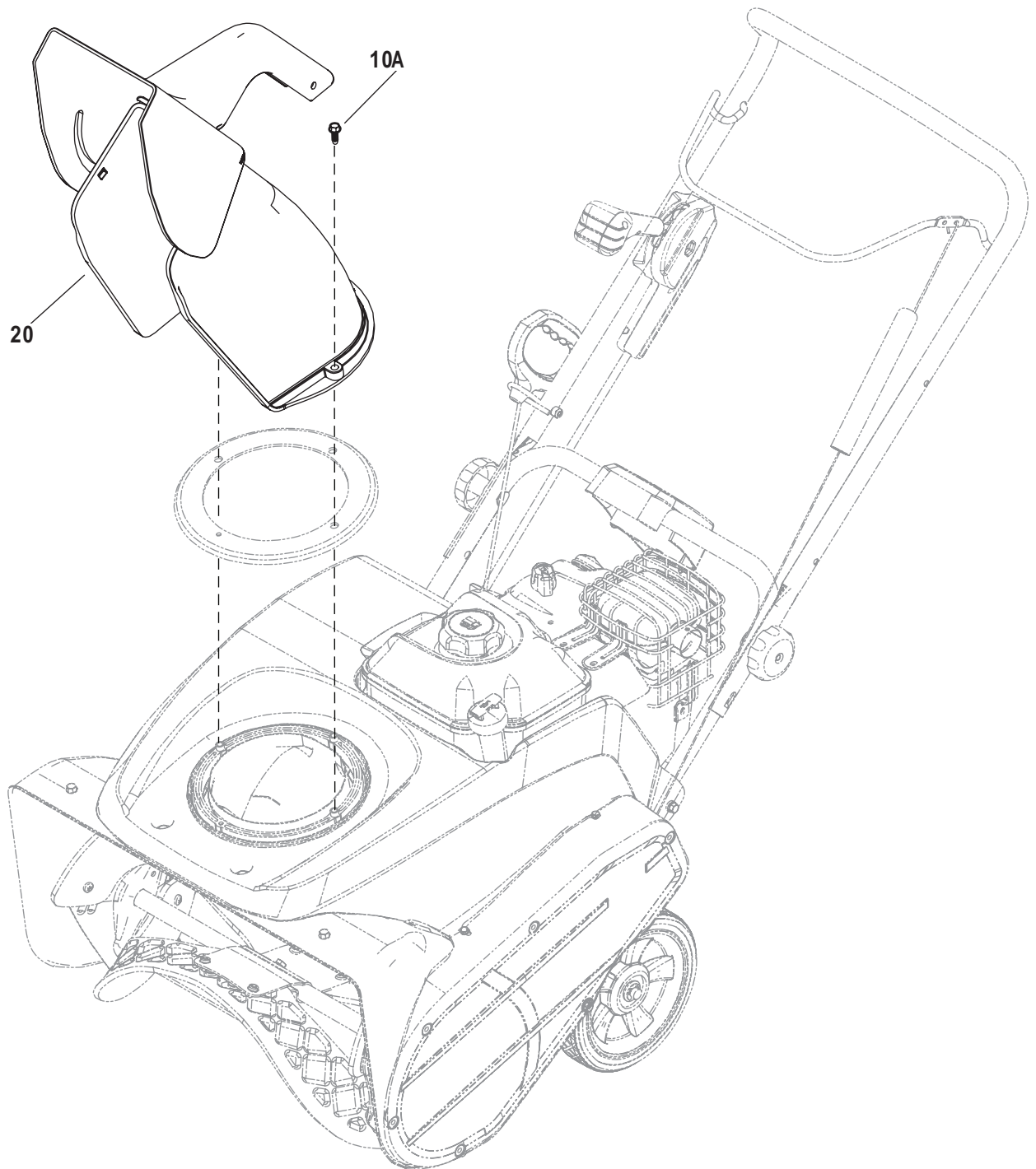
Utgåva Issue 2011-14		Bildnr Picture No 2767A		SNOW PRISMA HJUL KÅPOR		SNOW PRISMA WHEELS BODY COVER		Sida Page 22	
Pos. Fig.	Antal/Quantity				Art nr Part No	Benämning	Description	Sats Kit	Anmärkning Notes
	2805 -31								
X 10	1				1812-2754-01	Kåpa-övre, gul.....	Cover-top, yellow .....		
20	1				1812-2579-01	Kåpa, svart.....	Drive case cover, bl.....		
30	2				9988-3551-12	Skruv.....	Screw.....		
40	2				9743-3521-32	Mutter.....	Nut.....		
50	2				1812-2618-01	Skruv.....	Screw.....		
60	6				1812-2619-01	Skruv.....	Screw.....		
70	2				1812-2494-01	Hjul.....	Wheel.....		
80	2				1812-2492-01	Låsring.....	E-ring.....		
90	2				1812-2649-01	Planbricka.....	Flat washer.....		
100	2				1812-2627-01	Skruv.....	Cap screw.....		
110	2				1812-2498-01	Snabbmutter.....	Speed nut.....		
120	1				1812-2603-01	Kåpring-utkast.....	Chute cover.....		
130	1				1812-1394-01	Skruv.....	Screw.....		
X 140	2				1812-2750-01	Navkapsel.....	Hub cap.....		



Utgåva Issue		Bildnr Picture No		SNOW PRISMA SNÖSKRUV		SNOW PRISMA AUGER		Sida Page	
2011-14		2765A						24	
Pos. Fig.	Antal/Quantity				Art nr Part No	Benämning	Description	Sats Kit	Anmärkning Notes
	2805 -31								
10	1				1812-2635-01	Snöskruv kpl.....	Auger assy.....		Inkl. pos 10B-10F Inkl. pos 10D
10B	1				1812-2503-01	• Gummiskärsats.....	• Auger flight kit.....		
10D	12				1812-2652-01	•• Skruv .....	•• Screw .....		
10E	1				9743-3521-32	• Mutter .....	• Nut .....		
10F	1				9988-3538-12	• Skruv .....	• Screw .....		
20	2				1812-2559-01	Lagerhållare.....	Bearing retainer.....		
30	6				1812-2619-01	Skruv.....	Screw.....		
40	2				1812-2373-01	Kullager .....	Ball bearing .....		
50	1				9988-3619-16	Skruv.....	Screw.....		
60	1				1812-2560-01	Lagerlock.....	Bearing cap .....		
70	1				1812-2660-01	Bricka .....	Flat washer.....		

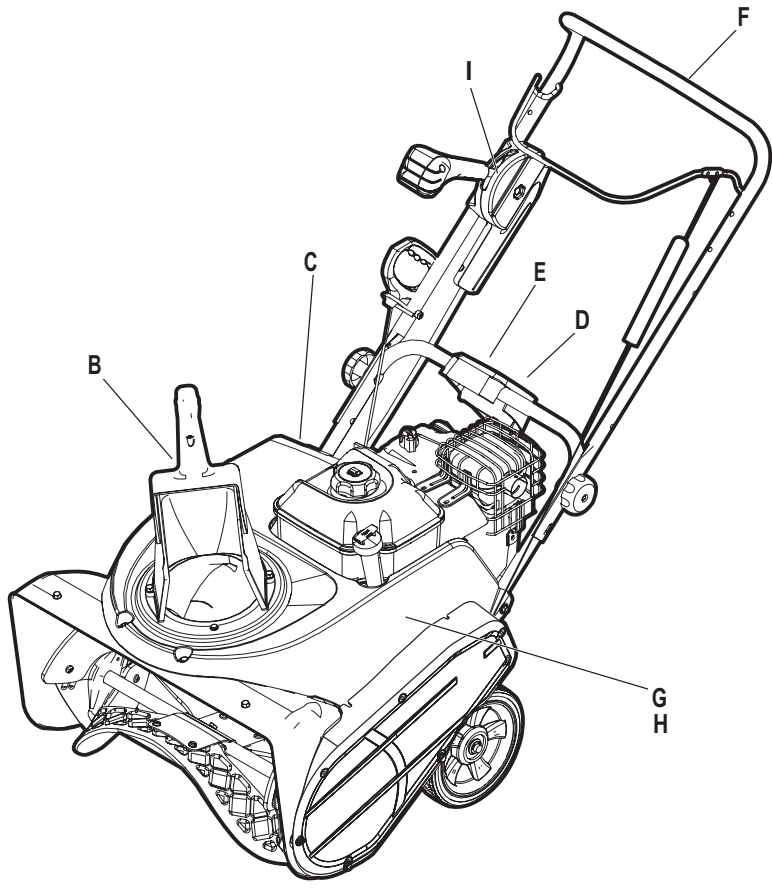


Utgåva Issue		Bildnr Picture No		SNOW PRISMA UTKASTROTATION		SNOW PRISMA CHUTE ROTATION		Sida Page	
2011-14		2768A						26	
Pos. Fig.	Antal/Quantity				Art nr Part No	Benämning	Description	Sats Kit	Anmärkning Notes
	2805 -31								
10	1				1812-2556-01	Ringdrev- utkastrot. ....	Chute rotation gear .....		
20	1				1812-2570-01	Platta- utkast.....	Chute mounting plate.....		
30	1				1812-2571-01	Hållare- ringdrev .....	Chute gear retainer.....		
40	2				1812-2618-01	Skruv.....	Screw.....		
50	1				1812-2604-01	Reglage- utkastrot. ....	Remote control- chute.....		
60	1				1812-2552-01	Drev- utkastrot.....	Chute rotation gear .....		
70	4				1812-2659-01	Skruv.....	Screw.....		
90	1				1812-2619-01	Skruv.....	Screw.....		





Utgåva Issue		Bildnr Picture No		SNOW PRISMA UTKAST		SNOW PRISMA CHUTE		Sida Page	
2011-14		2769A						28	
Pos. Fig.	Antal/Quantity				Art nr Part No	Benämning	Description	Sats Kit	Anmärkning Notes
	2805 -31								
X	10	1			1812-2747-01	Skrivsats.....	Parts bag.....		Inkl. pos 10A-10C
X	10A	3			1812-2749-01	• Skruv .....	• Screw .....		
	10B	1			1812-2493-01	• Låsrott .....	• Handle knob .....		
	10C	1			1812-2656-01	• Skruv .....	• Cap screw .....		
	20	1			1812-2576-01	Utkast .....	Chute .....		



1

Diagram illustrating the assembly steps for the deck cover and handle:

- B:** Warning icon showing a person being struck by a blade.
- C:** Deck cover with numbered steps 1, 2, and 3. Step 1 shows the cover being placed over the deck. Step 2 shows the cover being secured. Step 3 shows the cover being secured with a screw.
- D:** Deck housing with numbered steps 4 and 5. Step 4 shows the deck housing being placed over the deck. Step 5 shows the deck housing being secured.
- E:** Deck housing with numbered steps 4 and 5. Step 4 shows the deck housing being placed over the deck. Step 5 shows the deck housing being secured.
- F:** Deck handle with numbered steps 1, 2, and 3. Step 1 shows the handle being inserted into the deck housing. Step 2 shows the handle being secured. Step 3 shows the handle being secured with a screw.
- A:** Warning icons showing a person being struck by a blade, a person being struck by a blade, a person being struck by a blade, a person being struck by a blade, a person being struck by a blade, and a person being struck by a blade.



Utgåva Issue 2011-14		Bildnr Picture No 2770A		SNOW PRISMA DEKALER		SNOW PRISMA LABELS		Sida Page 30	
Pos. Fig.	Antal/Quantity				Art nr Part No	Benämning	Description	Sats Kit	Anmärkning Notes
	2805 -31								
1	1				1812-2700-01	Dekalsats .....	Label kit .....		Inkl. A-I