

Genuine Spare Parts

www.stiga.com

SNOW FOX Model Year 2011/12

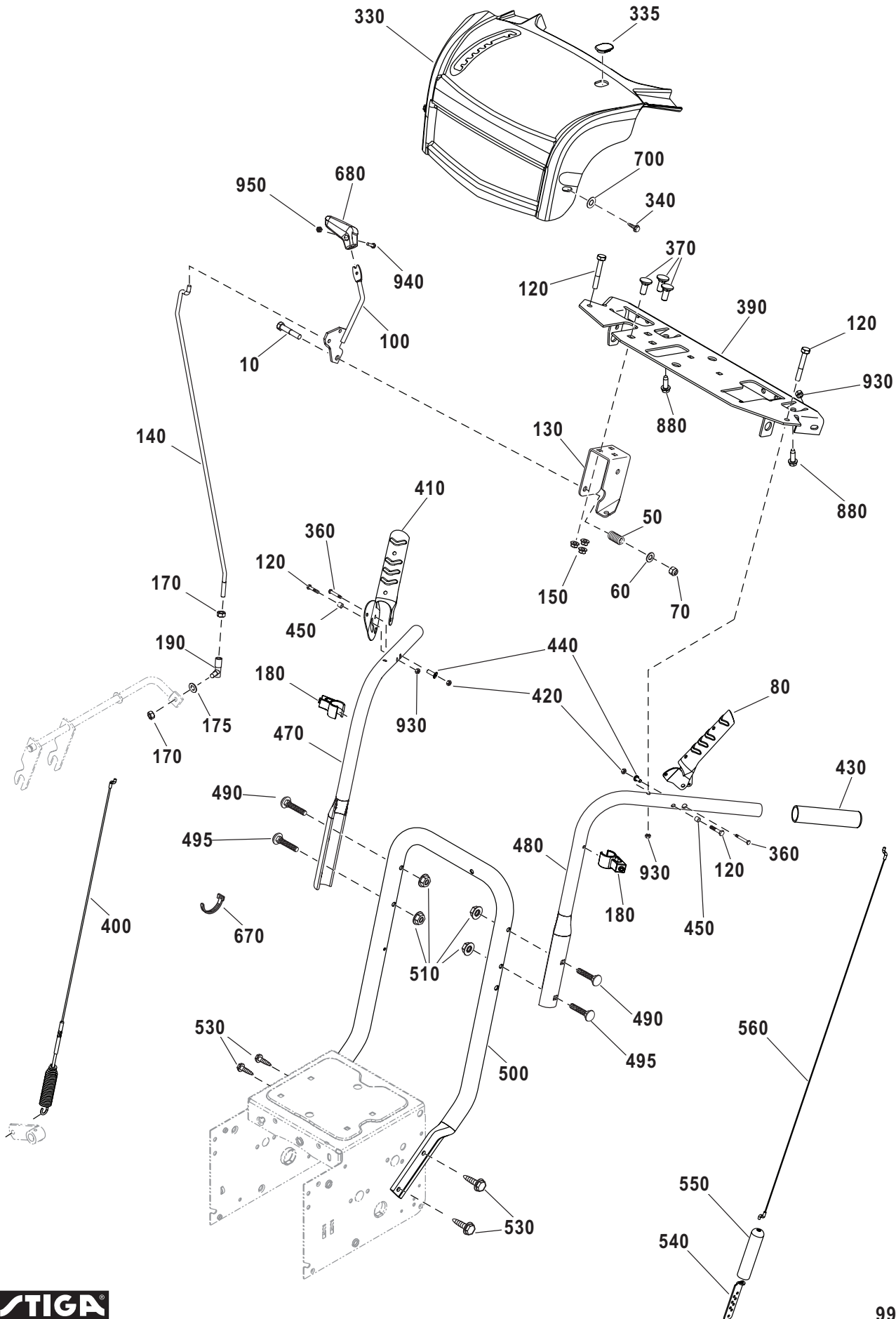
includes:
18-2869-31 Snow Fox

- Use GLOBAL GARDEN PRODUCT Genuine Spare Parts specified in the parts list for repair and/or replacement.
- The contents described in the parts list may change due to improvement.
- The drawings of the spare parts are only indicative and might not represent the part in question exactly.
- The indications "right" - "left" - "front" - "rear" refer to the position of the operator when using the machine.
- When placing orders of parts for repair and/or replacement, make sure that the illustrated parts list is the one applying to the machine's year of manufacture, as shown on the identification plate attached to the machine.

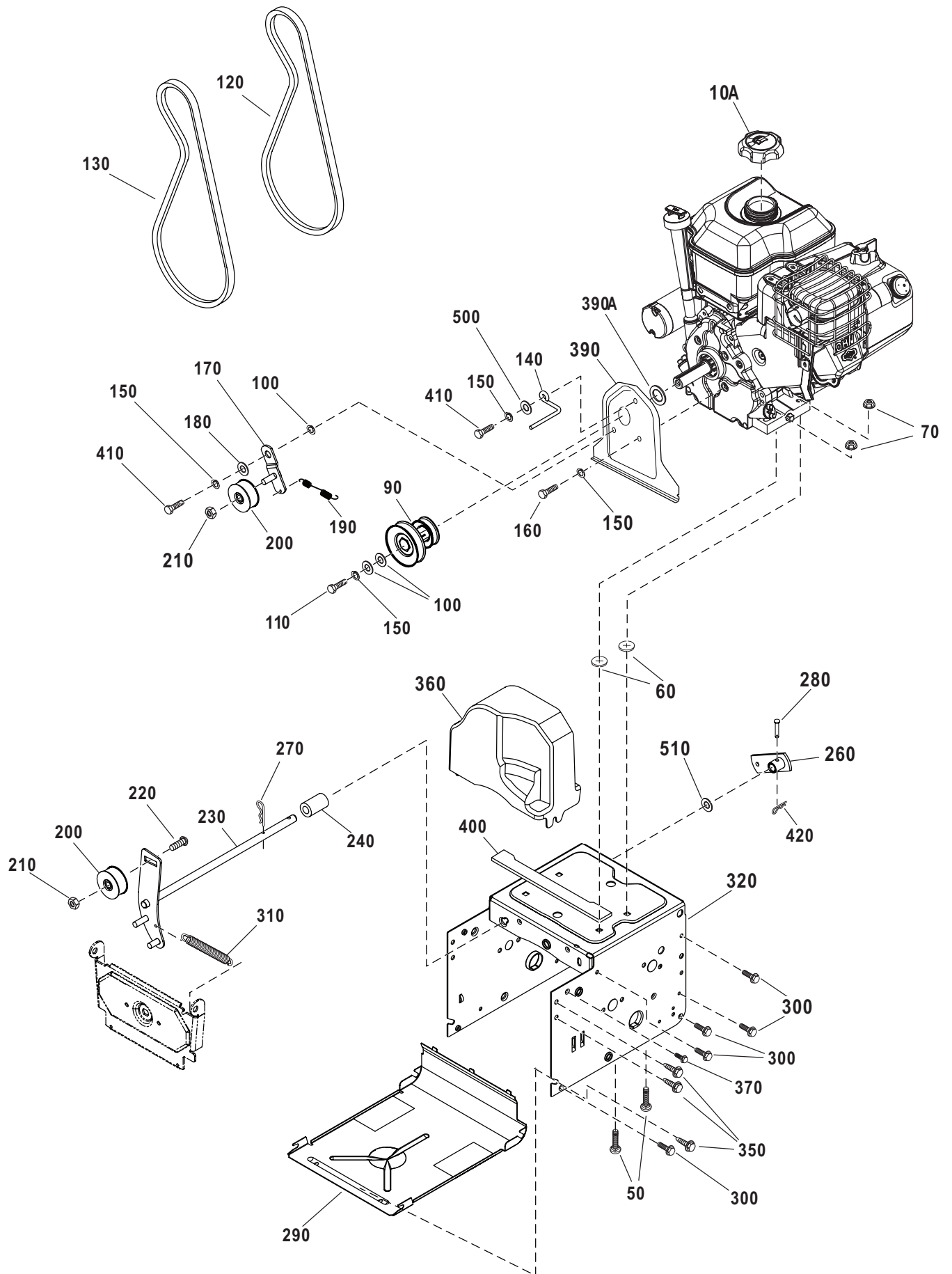
COPYRIGHT by GLOBAL GARDEN PRODUCTS

All rights reserved. No part of this material may be reproduced or transmitted, in any form or by any means, electronic or mechanical, including photocopying, recording or by any information storage and retrieval system, without permission in writing from GLOBAL GARDEN PRODUCTS.

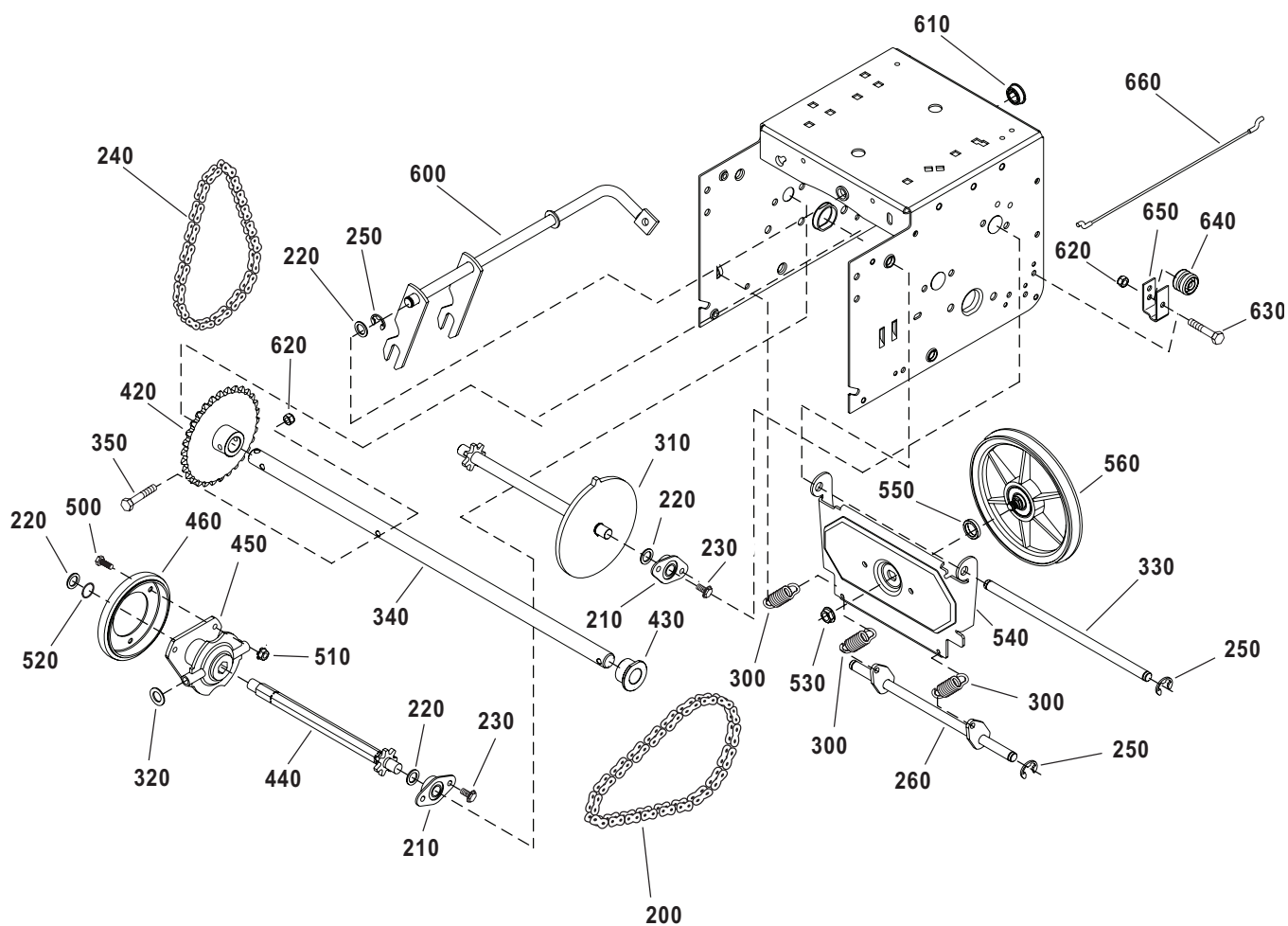




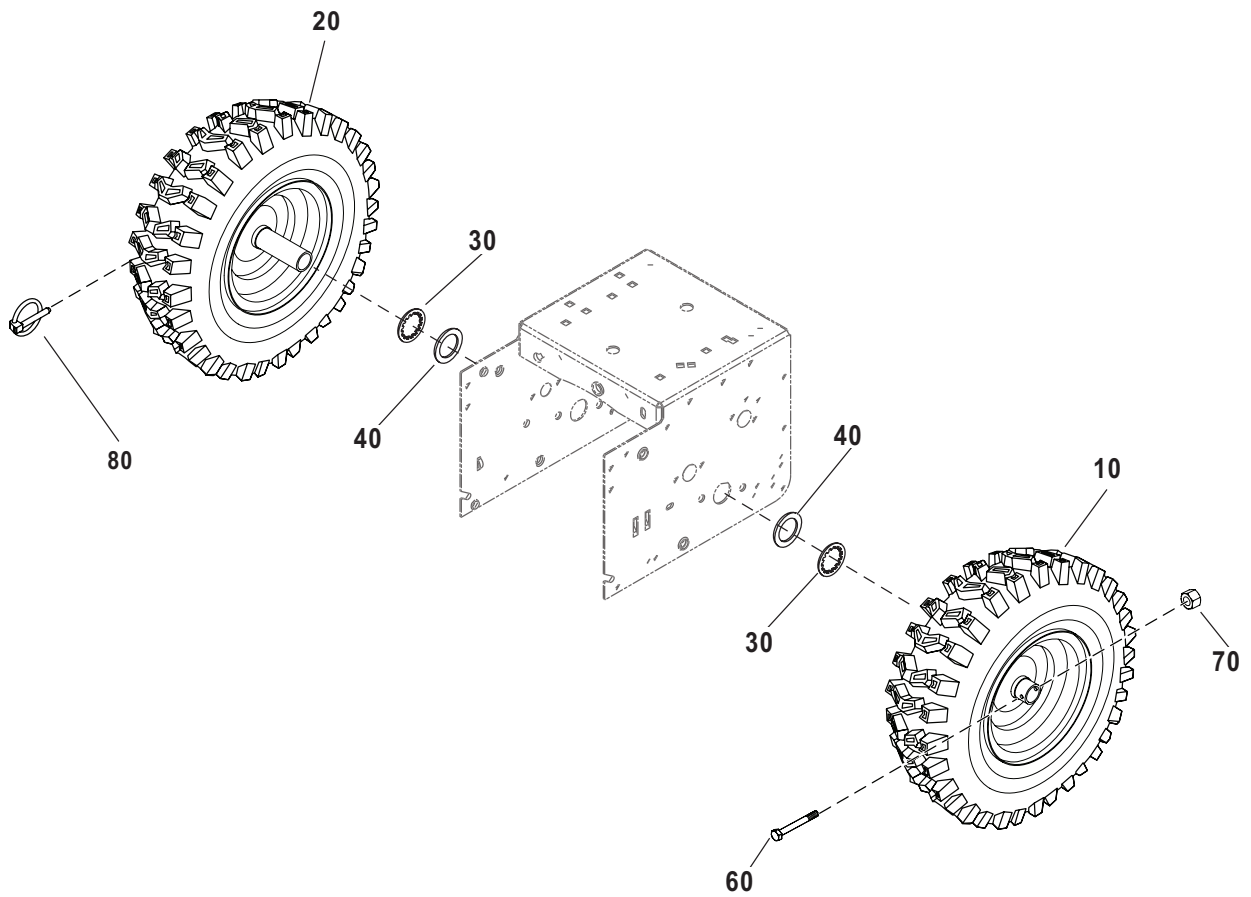
Utgåva Issue		Bildnr Picture No		SNOW FOX STYRE REGLAGE		SNOW FOX HANDLE CONTROLS		Sida Page	
2011-14		2838						46	
Pos. Fig.	Antal/Quantity				Art nr Part No	Benämning	Description	Sats Kit	Anmärkning Notes
	2869 -31								
	10	1			9988-3751-12	Skruv.....	Screw.....		
	50	1			1812-0304-01	Fjäder.....	Spring.....		
	60	1			9699-0029-02	Planbricka.....	Flat washer.....		
	70	1			9743-3721-32	Mutter.....	Nut.....		
	80	1			1812-2605-01	Koppl.reglage-vä.....	Clutch lever-LH.....		
	100	1			1812-2511-01	Regl.spak- hastighet.....	Speed lever.....		
	120	4			9988-3545-12	Skruv.....	Screw.....		
	130	1			1812-2417-01	Fäste.....	Controls brkt.....		
X	140	1			1812-2751-01	Reglagestång.....	Rod, speed control.....		
	150	3			9727-3641-22	Mutter.....	Nut.....		
	170	2			9794-5131-02	Mutter.....	Nut.....		
	175	1			9683-0030-02	Fjäderbricka.....	Spring washer.....		
X	180	2			1812-2738-01	Monteringsfäste.....	Bracket, mounting.....		
	190	1			1812-2562-01	Kulled.....	Ball joint.....		
X	330	1			1812-2792-01	Panel.....	Dash.....		
X	335	1			1812-2753-01	Plugg.....	Plug.....		
	340	2			1812-2257-01	Skruv.....	Screw.....		
	360	2			1812-2623-01	Ansatsbult.....	Shoulder bolt.....		
	370	4			9899-3625-16	Skruv.....	Screw.....		
	390	1			1812-2575-01	Panelfäste.....	Dash support.....		
	400	1			1812-2542-01	Reglagewire- snöskruv.....	Drive cable- auger.....		
	410	1			1812-2606-01	Koppl.reglage- hö.....	Clutch lever- RH.....		
	420	2			1812-2256-01	Mutter.....	Nut.....		
	430	2			1812-2351-01	Handtag.....	Hand grip.....		
	440	2			1812-2412-01	Distans.....	Stepped spacer.....		
	450	2			1812-2148-01	Distans.....	Spacer.....		
	470	1			1812-2317-01	Styre överdel- hö.....	Handle upper- RH.....		
	480	1			1812-2316-01	Styre överdel- vä.....	Handle upper- LH.....		
	490	2			1812-2479-01	Vagnsbult.....	Carriage bolt.....		L = 57 mm
	495	2			1812-2476-01	Vagnsbult.....	Carriage bolt.....		L = 45 mm
	500	1			1812-2519-01	Styre- undre.....	Handle- lower.....		
	510	4			9743-3621-32	Mutter.....	Nut.....		
	530	4			1812-2641-01	Skruv.....	Screw.....		
	540	1			1133-0977-01	Wirefäste.....	Cable adjust bracket.....		
	550	1			1133-0968-01	Wirehylsa.....	Clutch spring boot.....		
	560	1			1812-2029-01	Reglagewire.....	Control cable.....		
	670	5			1812-2371-01	Buntband.....	Self lock tie.....		
	680	1			1812-2379-01	Knopp.....	Knob.....		
	700	2			9699-0026-02	Planbricka.....	Flat washer.....		
X	880	2			1812-2765-01	Skruv.....	Screw.....		
	930	4			9743-3521-32	Mutter.....	Nut.....		
	940	1			1812-2481-01	Skruv.....	Screw.....		
	950	1			1812-2256-01	Mutter.....	Nut.....		
X	999	1			8218-2258-20	Bruksanvisning.....	Owner's manual.....		Ej ill/not ill.



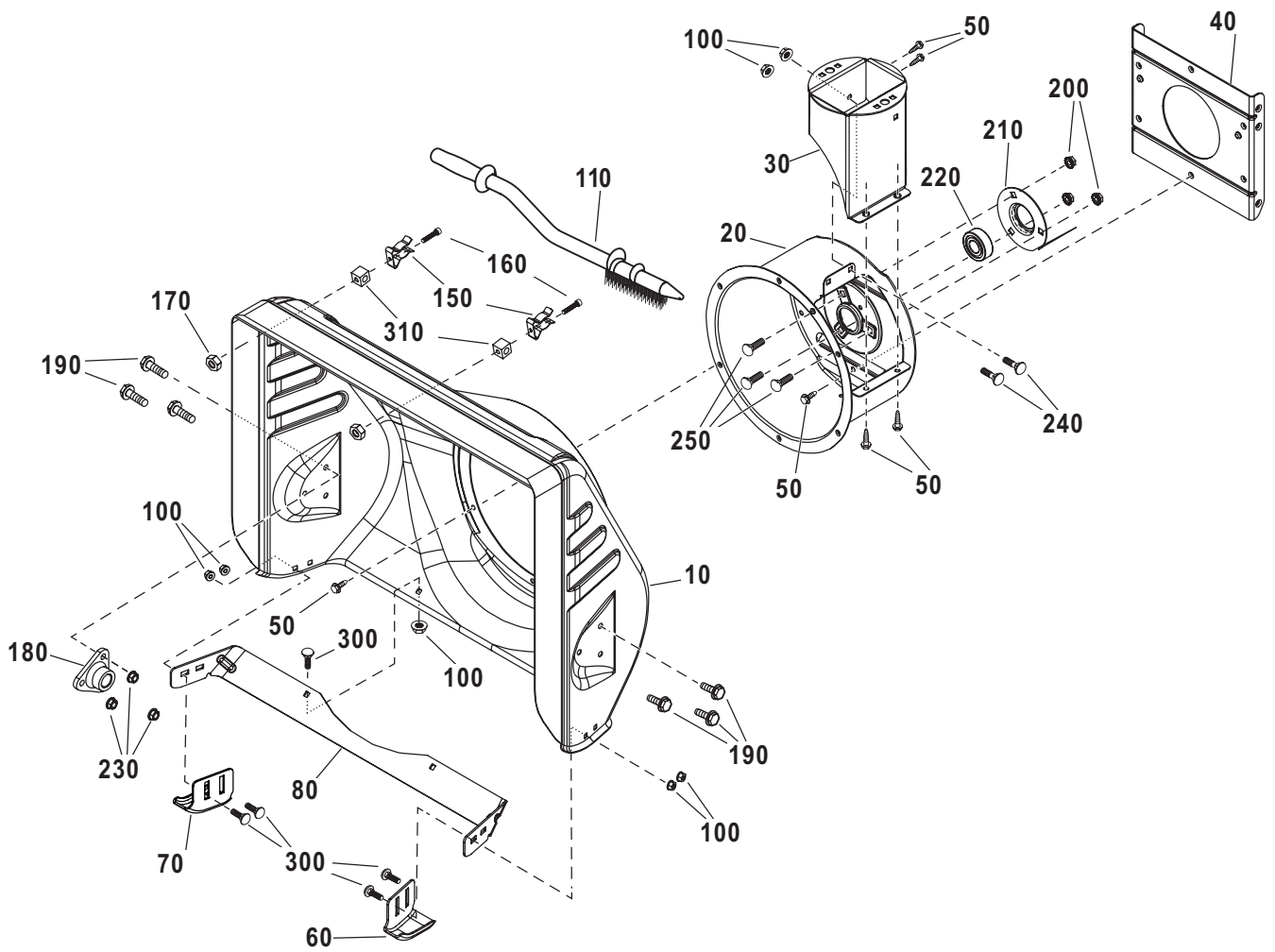
Utgåva Issue		Bildnr Picture No		SNOW FOX RAM MOTOR		SNOW FOX FRAME ENGINE		Sida Page	
2011-14		2839						48	
Pos. Fig.	Antal/Quantity				Art nr Part No	Benämning	Description	Sats Kit	Anmärkning Notes
	2869 -31								
X	10A	1			795027	Tanklock	Fuel cap.....		B&S- part
	50	4			9899-3638-12	Skruv	Screw		
	60	4			1812-1681-01	Hållare	Retainer		
	70	4			9743-3621-32	Mutter	Nut		
	90	1			1812-1719-01	Motorremskiva	Engine pulley.....		
	100	3			1812-2248-01	Bricka	Washer.....		
	110	1			9987-5132-12	Skruv	Screw		
	120	1			1812-2220-01	Kilrem- drivning	Belt- traction drive.....		
X	130	1			1812-2784-01	Kilrem- snöskruv	Belt- auger.....		
	140	1			1812-2443-01	Remstyrning	Belt guide		
	150	4			9683-0030-02	Låsbricka	Lock washer.....		
	160	1			9987-5119-16	Skruv	Screw		
	170	1			1812-1722-01	Spännrullsfäste.....	Idler bracket		
	180	1			1812-1705-01	Bussning	Bushing		
	190	1			1812-2489-01	Fjäder.....	Ext.idler spring.....		
	200	2			1812-2077-01	Spännrulle	Tension roller		
	210	2			9743-3721-32	Mutter	Nut		
	220	1			9899-3732-16	Skruv	Screw		
X	230	1			1812-2796-01	Spännarm	Auger idler		
	240	1			1812-1741-01	Distans	Spacer		
	260	1			1812-2308-01	Reglagearm	Control arm.....		
	270	1			1812-2490-01	Låsnål	Hair pin		
	280	1			1812-2407-01	Sprint.....	Clevis pin		
	290	1			1812-2465-01	Bottenplåt	Bottom cover		
	300	10			1812-2250-01	Skruv	Screw		
	310	1			1812-1763-01	Fjäder.....	Spring		
X	320	1			1812-2788-01	Ram	Frame		
	350	6			1812-2141-01	Skruv	Screw		
X	360	1			1812-2787-01	Remskydd	Belt cover		
X	370	2			1812-2748-01	Skruv	Screw		
	390	1			1812-2504-01	Regnskydd.....	Water shield		
	390A	1			1812-2505-01	Tätning	Foam seal		
	400	1			1812-2614-01	Tätningslist.....	Seal strip.....		
	410	2			9987-5125-16	Skruv	Screw		
	420	1			1812-2281-01	Låsnål	Cotter pin		
	500	1			1812-2657-01	Bricka	Flat washer.....		
	510	1			9699-0038-02	Planbricka.....	Flat washer.....		



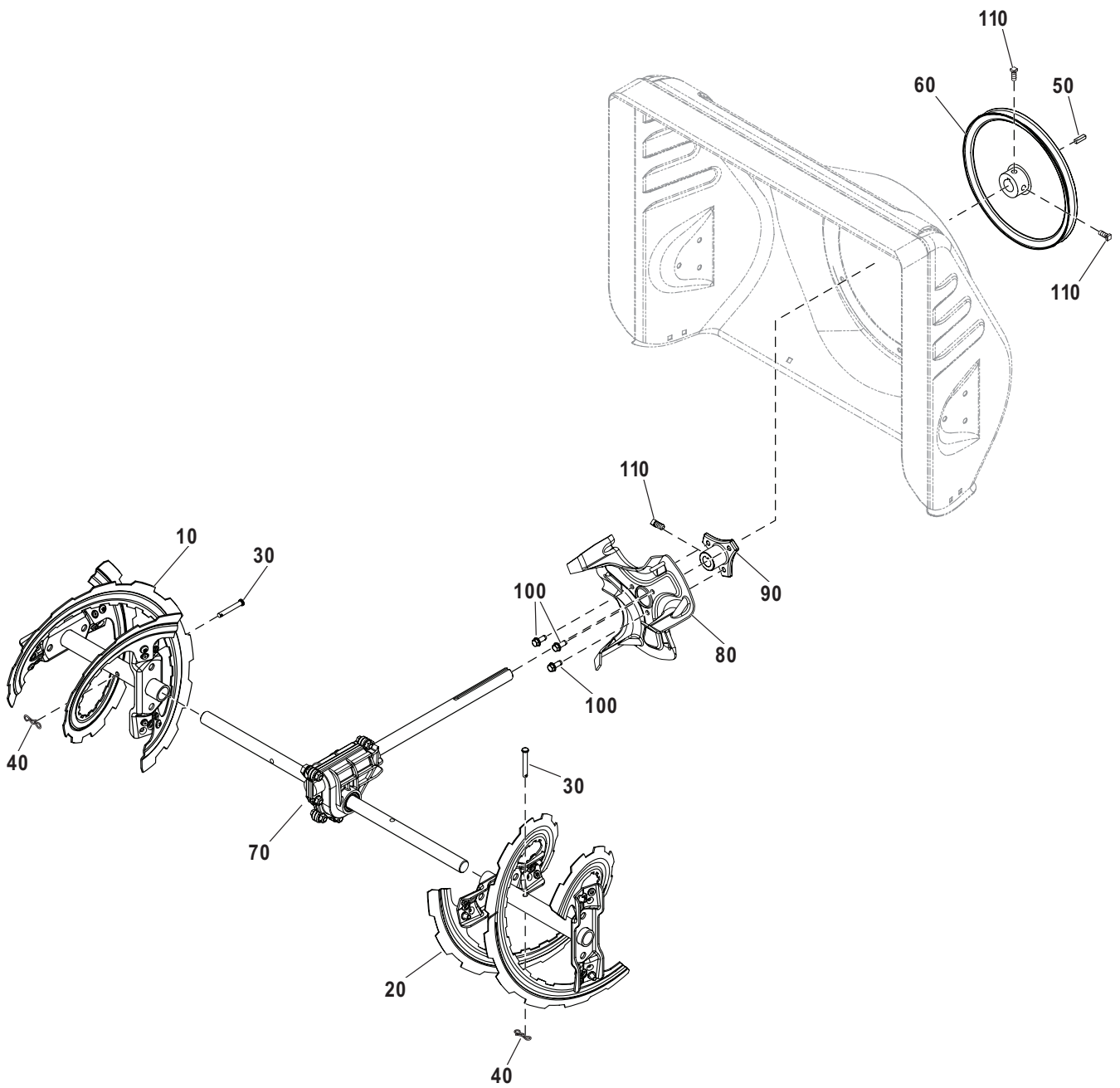
Utgåva Issue		Bildnr Picture No		SNOW FOX DRIVNING		SNOW FOX TRACTION DRIVE		Sida Page	
2011-14		2840						50	
Pos. Fig.	Antal/Quantity				Art nr Part No	Benämning	Description	Sats Kit	Anmärkning Notes
	2869 -31								
	200	1			1812-1686-01	Kedja	Chain		
	210	4			1812-1178-01	Glidlager m.hållare	Bearing & retainer		
	220	5			1812-1204-01	Bricka	Washer		
	230	8			1812-2249-01	Skruv	Screw		
	240	1			1812-1688-01	Kedja	Chain		
	250	5			1812-1672-01	Låsring	Retainer ring		
	260	1			1812-2076-01	Fjäderlänkarm	Spring link		
	300	3			1812-2410-01	Fjäder	Extension spring		
X	310	1			1812-2773-01	Axel m drev	Sprocket set		
	320	2			9699-0038-02	Planbricka	Flat washer		
	330	1			1812-1713-01	Axel- svängplatta	Axle- swing plate		
	340	1			1812-1862-01	Hjulaxel	Axle shaft		
	350	1			1812-1755-01	Skruv	Screw		
	420	1			1812-1712-01	Kedjedrev	Sprocket		
	430	2			1812-1724-01	Lager	Axle bearing		
	440	1			1812-1750-01	Sextantsaxel	Hex shaft		
X	450	1			1812-2734-01	Nav, friktionshjul	Hub, friction wheel		
	460	1			1812-9028-01	Friktionshjul	Friction disc wheel		
	500	3			9988-3516-16	Skruv	Screw		
	510	3			9795-3531-02	Mutter	Nut		
	520	1			1812-2380-01	Låsring	Retext ring		
	530	1			1812-1674-01	Flänslåsmutter	Flange lock nut		
	540	1			1812-1701-01	Svängplatta	Swing plate		
	550	1			1812-1739-01	Distans	Spacer		
	560	1			1812-1725-01	Friktionsremskiva	Friction pulley		
	600	1			1812-1720-01	Växelarm	Yoke rod		
	610	1			1812-1219-01	Plastbussning	Plastic bushing		
	620	2			9743-3521-32	Mutter	Nut		
	630	1			9988-3538-12	Skruv	Screw		
	640	1			1812-1205-01	Spole	Spool		
	650	1			1812-1702-01	Fäste	Bracket		
	660	1			1812-1727-01	Reglagewire- nedre	Drive cable- lower		



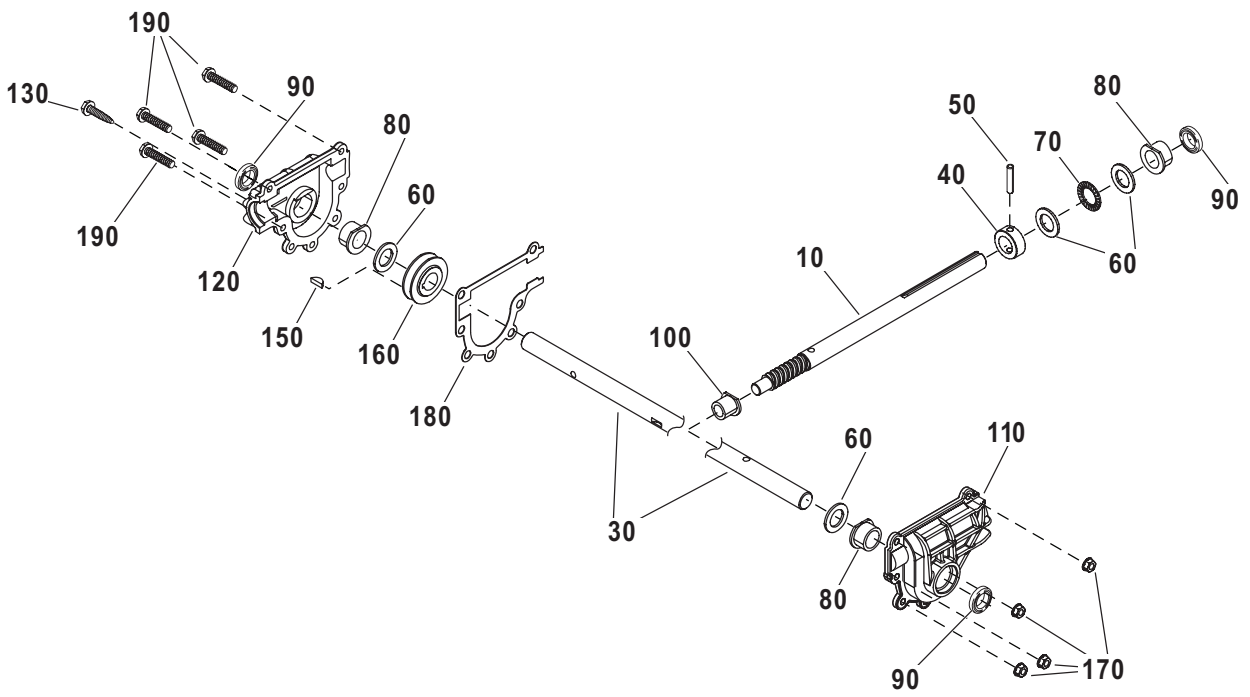
Utgåva Issue		Bildnr Picture No		SNOW FOX HJUL		SNOW FOX WHEELS		Sida Page	
2011-14		2841						52	
Pos. Fig.	Antal/Quantity				Art nr Part No	Benämning	Description	Sats Kit	Anmärkning Notes
	2869 -31								
X	10	1			1812-2777-01	Hjul kpl-vä.....	Wheel & tire assy-LH		13 x 5.0
X	20	1			1812-2776-01	Hjul kpl-hö	Wheel & tire assy-RH		13 x 5.0
	30	2			1812-2139-01	Låsring	Retaining ring		
	40	2			1812-0407-01	Bricka	Washer.....		
	60	1			1812-1114-01	Bult.....	Bolt		
	70	1			1812-1760-01	Mutter	Nut		
	80	1			1812-0408-01	Låssprint	Clík pin		



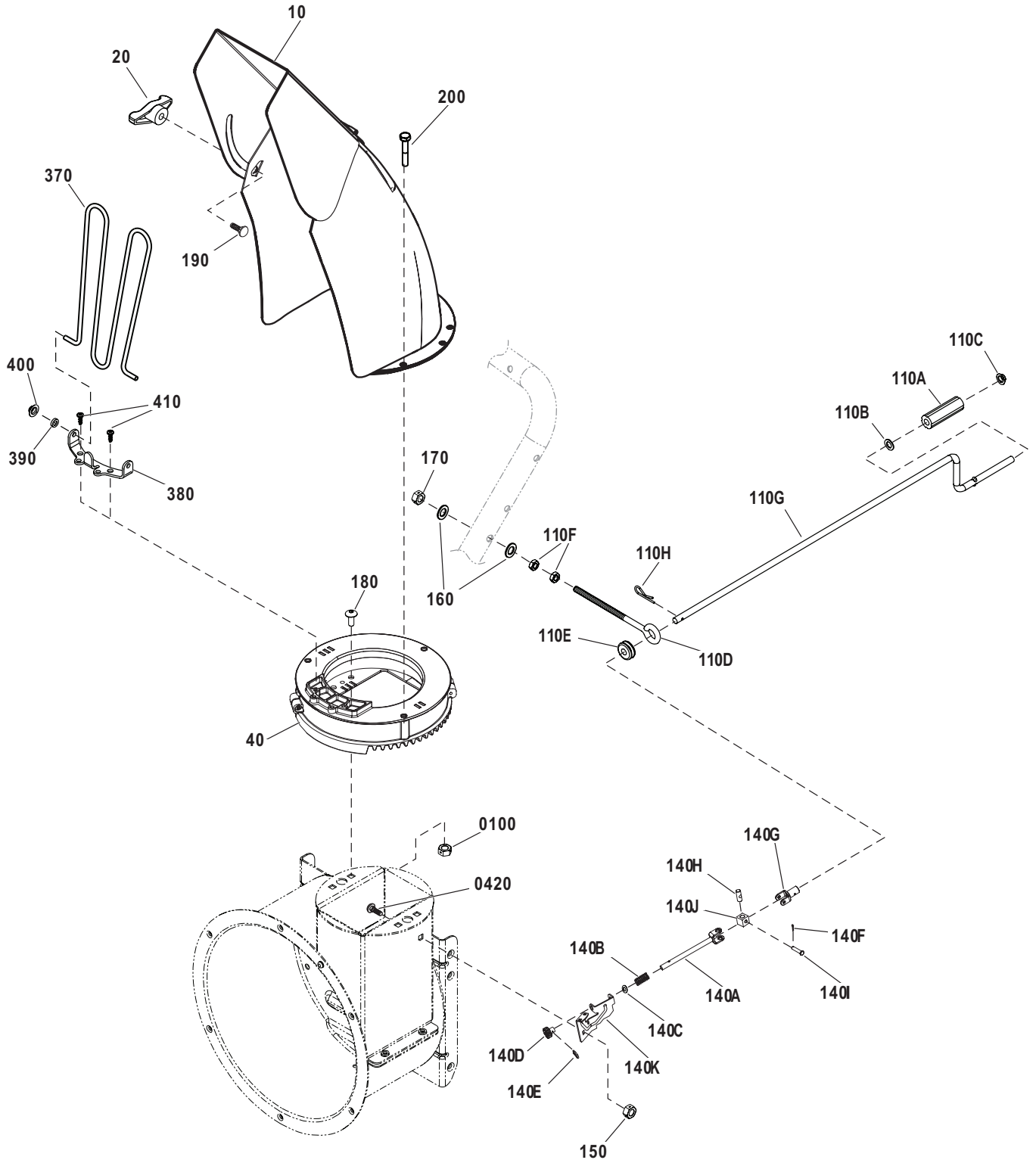
Utgåva Issue		Bildnr Picture No		SNOW FOX INMATNINGSHUS		SNOW FOX AUGER HOUSING		Sida Page	
2011-14		2842						54	
Pos. Fig.	Antal/Quantity				Art nr Part No	Benämning	Description	Sats Kit	Anmärkning Notes
	2869 -31								
X	10	1			1812-2774-01	Inmatningshus.....	Auger housing.....		24"
X	20	1			1812-2778-01	Fläkthus	Impeller housing		
X	30	1			1812-2789-01	Utkaströr	Chimney.....		
X	40	1			1812-2779-01	Fäste, bakre	Bracket, rear mount		
	50	16			1812-2475-01	Skruv	Screw.....		
X	60	1			1812-2783-01	Släpsko- vä	Skid shoe- LH.....		
X	70	1			1812-2782-01	Släpsko- hö	Skid shoe- RH		
X	80	1			1812-2785-01	Skrapskär	Scraper bar		
	100	8			9743-3521-32	Mutter	Nut.....		
	110	1			1812-2400-01	Borste	Cleanout brush.....		
	150	2			1812-2413-01	Klämma	Spring clamp.....		
	160	2			1812-2480-01	Skruv	Screw.....		
	170	2			1812-1912-01	Mutter	Nut.....		
	180	2			1812-0878-01	Lager	Bearing.....		
	190	6			9988-3619-16	Skruv	Screw.....		
	200	3			9727-3641-22	Mutter	Nut.....		
	210	1			1812-2142-01	Lagerhållare.....	Bearing retainer.....		
	220	1			1812-2346-01	Lager	Greased bearing.....		
	230	6			9743-3621-32	Mutter	Nut.....		
	240	2			9899-3516-16	Skruv	Screw.....		
	250	3			9899-3622-16	Skruv	Screw.....		
	300	6			1812-2254-01	Vagnsbult	Carriage bolt		
	310	2			1812-1317-01	Ledknut	Universal pivot block.....		



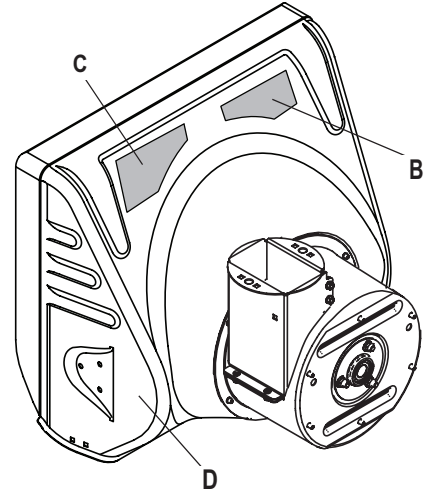
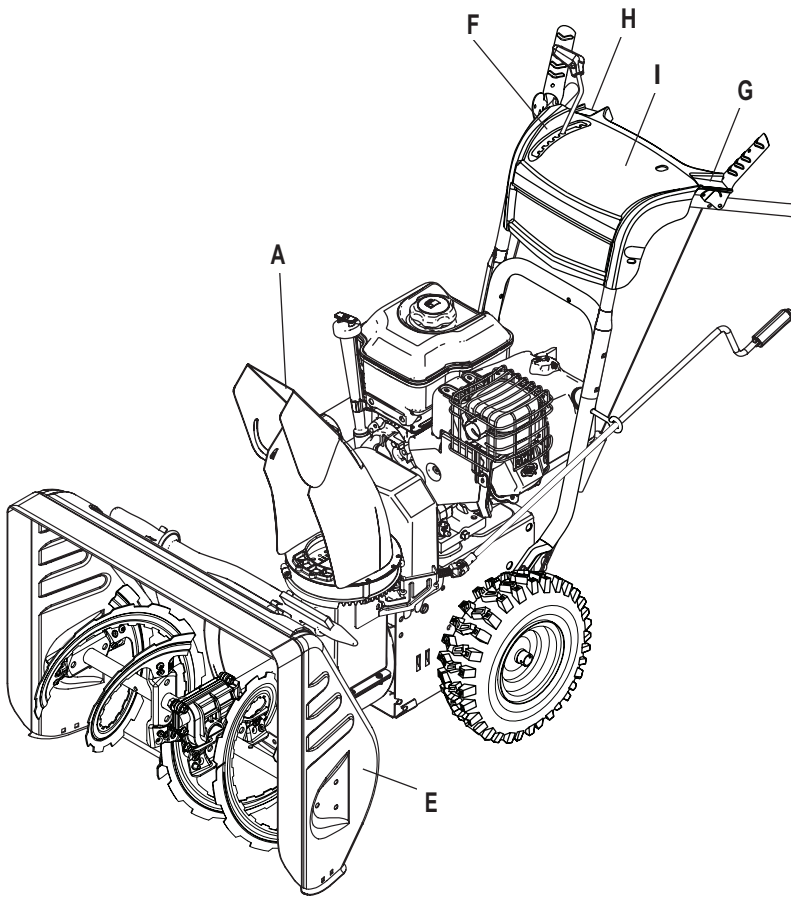
Utgåva Issue		Bildnr Picture No		SNOW FOX SNÖSKRUV		SNOW FOX AUGER DRIVE		Sida Page	
2011-14		2843						56	
Pos. Fig.	Antal/Quantity				Art nr Part No	Benämning	Description	Sats Kit	Anmärkning Notes
	2869 -31								
X	10	1			1812-2791-01	Snöskruv- hö	Auger- RH		24"
X	20	1			1812-2790-01	Snöskruv- vä.....	Auger- LH.....		
	30	1			1812-9029-01	Brytbultsats	Shear bolt kit.....		
X	40	2			1812-2563-01	• Låsnål	• Cotter pin		
	50	1			1812-1609-01	Kil	Key		
X	60	1			1812-2793-01	Remskiva.....	Auger pulley		
X	70	1			1812-2804-01	Snäckväxel kpl.....	Gear case assy		
X	80	1			1812-2780-01	Fläkt.....	Impeller.....		
	90	1			1812-2553-01	Nav-fläkt	Hub-impeller		
	100	3			1812-2249-01	Skruv.....	Screw.....		
	110	3			1812-2640-01	Stoppsskruv	Set screw		



Utgåva Issue		Bildnr Picture No		SNOW FOX SNÄCKVÄXEL		SNOW FOX GEAR CASE		Sida Page	
2011-14		2844						58	
Pos. Fig.	Antal/Quantity				Art nr Part No	Benämning	Description	Sats Kit	Anmärkning Notes
	2869 -31								
X	10	1			1812-2781-01	Fläktaxel.....	Impeller shaft.....		
X	30	1			1812-2786-01	Snöskruvaxel.....	Auger shaft.....		
	40	1			1812-1321-01	Distans.....	Thrust collar.....		
	50	1			1133-0395-01	Stift.....	Roll pin.....		
	60	4			1812-0857-01	Bricka.....	Thrust washer.....		
	70	1			1812-0285-01	Nållager.....	Needle bearing.....		
	80	3			1812-1360-01	Flänslager.....	Flange bearing.....		
	90	3			1812-0881-01	Tätningarring.....	Oil seal.....		
	100	1			1812-1359-01	Bussning.....	Bushing.....		
	110	1			1812-0908-01	Snäckväxelhus- vä.....	Gear case- LH.....		
	120	1			1812-0909-01	Snäckväxelhus- hö.....	Gear case- RH.....		
	130	1			1812-0856-01	Skruv.....	Screw.....		
	150	1			1812-1371-01	Kil.....	Woodruff key.....		
X	160	1			1812-2798-01	Snäckdrev.....	Worm gear.....		
	170	7			1812-1758-01	Mutter.....	Nut.....		
	180	1			1812-1361-01	Packning.....	Gasket.....		
	190	7			9988-3519-16	Skruv.....	Screw.....		



Utgåva Issue		Bildnr Picture No		SNOW FOX UTKAST		SNOW FOX DISCHARGE CHUTE		Sida Page	
2011-14		2845						60	
Pos. Fig.	Antal/Quantity				Art nr Part No	Benämning	Description	Sats Kit	Anmärkning Notes
	2869 -31								
X	10	1			1812-2803-01	Utkast	Chute		
X	20	1			1812-2805-01	Låsrott	Wing knob		
X	40	1			1812-2795-01	Utkastrotation	Chute rotation assy		
	100	4			9743-3521-32	Mutter	Nut		
	110A	1			1812-0318-01	Handtag	Handle		
	110B	1			1812-1171-01	Bricka	Washer		
	110C	1			1812-1483-01	Låsning	Retainer		
	110D	1			1812-1821-01	Öglebult	Eye bolt		
	110E	1			1812-0203-01	Hylsa	Grommet		
	110F	2			9743-3721-32	Mutter	Nut		
	110G	1			1812-1707-01	Inställningsvev	Chute crank		
	110H	1			1812-2490-01	Låsnål	Hair pin		
	140A	1			1812-1826-01	Gaffelstång	Yoke and rod		
	140B	1			1812-1761-01	Fjäder	Spring		
	140C	1			1812-2108-01	Bricka	Washer		
	140D	1			1812-1706-01	Drev	Gear		
	140E	1			1812-1791-01	Låsnål	Hair pin		
	140F	1			9599-0033-00	Saxsprint	Split pin		
	140G	1			1812-1708-01	Gaffel	Yoke adapter		
	140H	1			1812-1316-01	Axel	Universal pin		
	140I	1			1812-1318-01	Sprint	Clevis pin		
	140J	1			1812-1317-01	Ledknut	Universal pivot block		
X	140K	1			1812-2794-01	Fäste	Mounting bracket		
	150	1			9743-3521-32	Mutter	Nut		
	160	2			9699-0035-02	Planbricka	Flat washer		
	170	1			9743-3721-32	Mutter	Nut		
X	180	4			1812-2772-01	Skruv	Screw		
	190	1			1812-1678-01	Vagnsbult	Carriage bolt		
X	200	3			1812-2771-01	Skruv	Screw		
	370	1			1812-2381-01	Utkastskydd	Chute guard		
	380	1			1812-2416-01	Fäste	Chute guard brkt		
	390	2			1812-2426-01	Hylsa	Grommet		
	400	2			1812-2478-01	Snabbmutter	Push nut		
	410	2			1812-2473-01	Skruv	Screw		
	420	1			9899-3516-16	Skruv	Screw		



1



F



G

⚠ DANGER

Amputation hazard
Contact with moving parts inside chute will cause serious injury.

- Shut off engine before unclogging discharge chute.
- Use clean-out tool, not hands!

Risque d'amputation
Tout contact avec des pièces en mouvement à l'intérieur de la goulotte provoquera de graves blessures.

- Arrêter le moteur avant de dégager la goulotte d'éjection.
- Utiliser l'outil de dégagement, pas les mains!

1737865

A

⚠ DANGER

Risque d'amputation

- Tout contact avec la tarière provoquera de graves blessures.
- Tenir vos pieds, vos mains et vêtements à distance.
- Tenir les spectateurs à distance.

Amputation Hazard

- Contact with auger will cause serious injury.
- Keep hands, feet and clothing away.
- Keep bystanders away.

Danger objets projetés

- Ne jamais diriger la chute en direction des personnes ou biens matériels.

Thrown Objects Hazard

- Never direct discharge chute towards persons or property.

1735422

B

WARNING ⚠ AVERTISSEMENT

Shut off engine and remove key before performing maintenance or repair work.

Arrêter le moteur et retirer la clé avant d'effectuer tout entretien ou toute réparation.

Read the operator's manual for operating and safety instructions.

Lire les consignes de sécurité et d'utilisation dans le manuel d'utilisation.

The spark ignition system complies with the Canadian standard F25202.
Ce système d'allumage par étincelle du véhicule est conforme à la norme NMB-002 du Canada.

1732999

C



Utgåva Issue 2011-14		Bildnr Picture No 2846		SNOW FOX DEKALER		SNOW FOX LABELS		Sida Page 62	
Pos. Fig.	Antal/Quantity				Art nr Part No	Benämning	Description	Sats Kit	Anmärkning Notes
	2869 -31								
X 1					1812-2806-01	Dekalsats	Label kit		Incl. A-I