

Genuine Spare Parts

www.stiga.com

SNOW ELECTRIC 1800W Model Year 2011/12

includes:

18-2802-31 STIGA Snow Electric

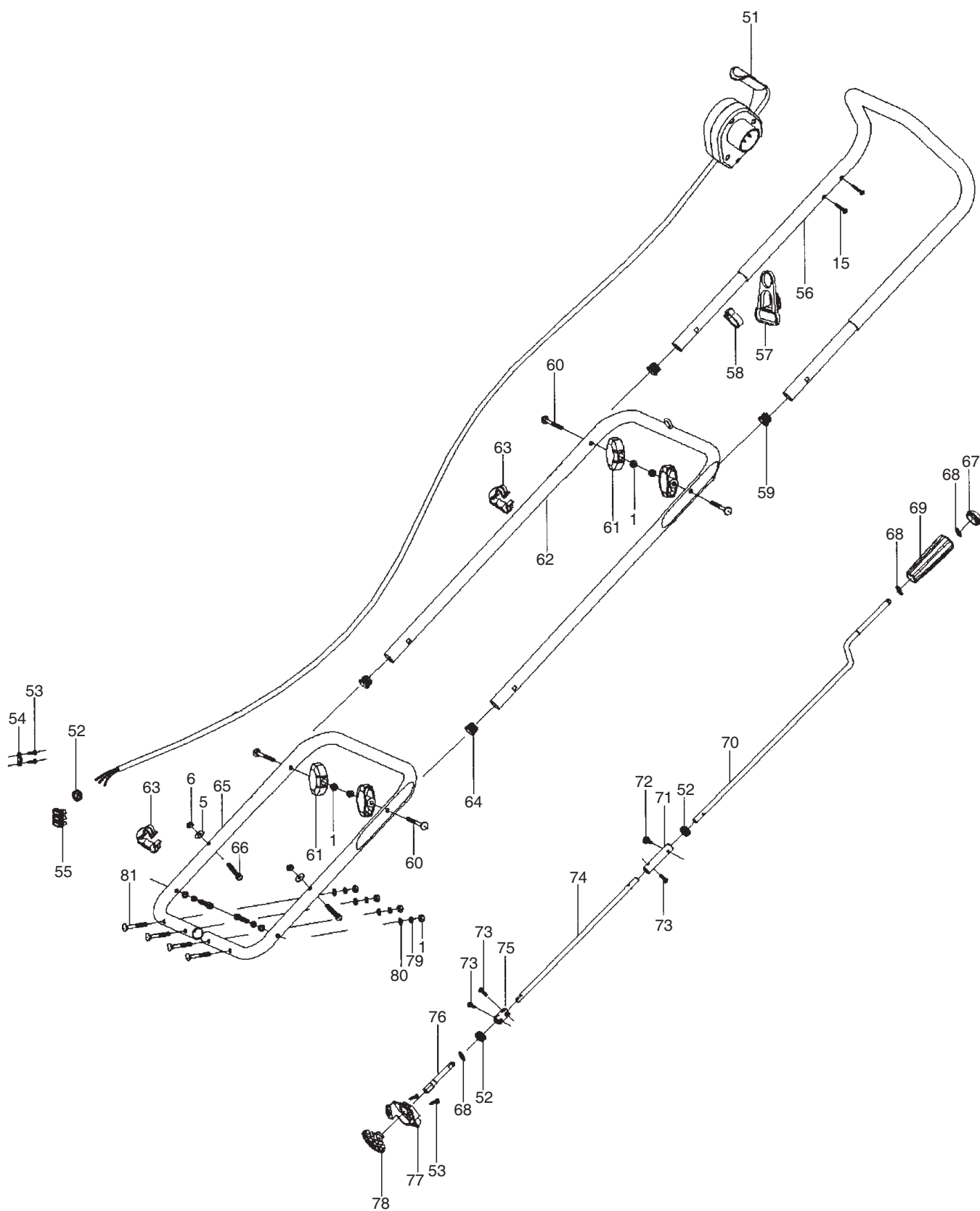
18-2801-41 ALPINA AS 45E

- Use GLOBAL GARDEN PRODUCT Genuine Spare Parts specified in the parts list for repair and/or replacement.
- The contents described in the parts list may change due to improvement.
- The drawings of the spare parts are only indicative and might not represent the part in question exactly.
- The indications "right" - "left" - "front" - "rear" refer to the position of the operator when using the machine.
- When placing orders of parts for repair and/or replacement, make sure that the illustrated parts list is the one applying to the machine's year of manufacture, as shown on the identification plate attached to the machine.

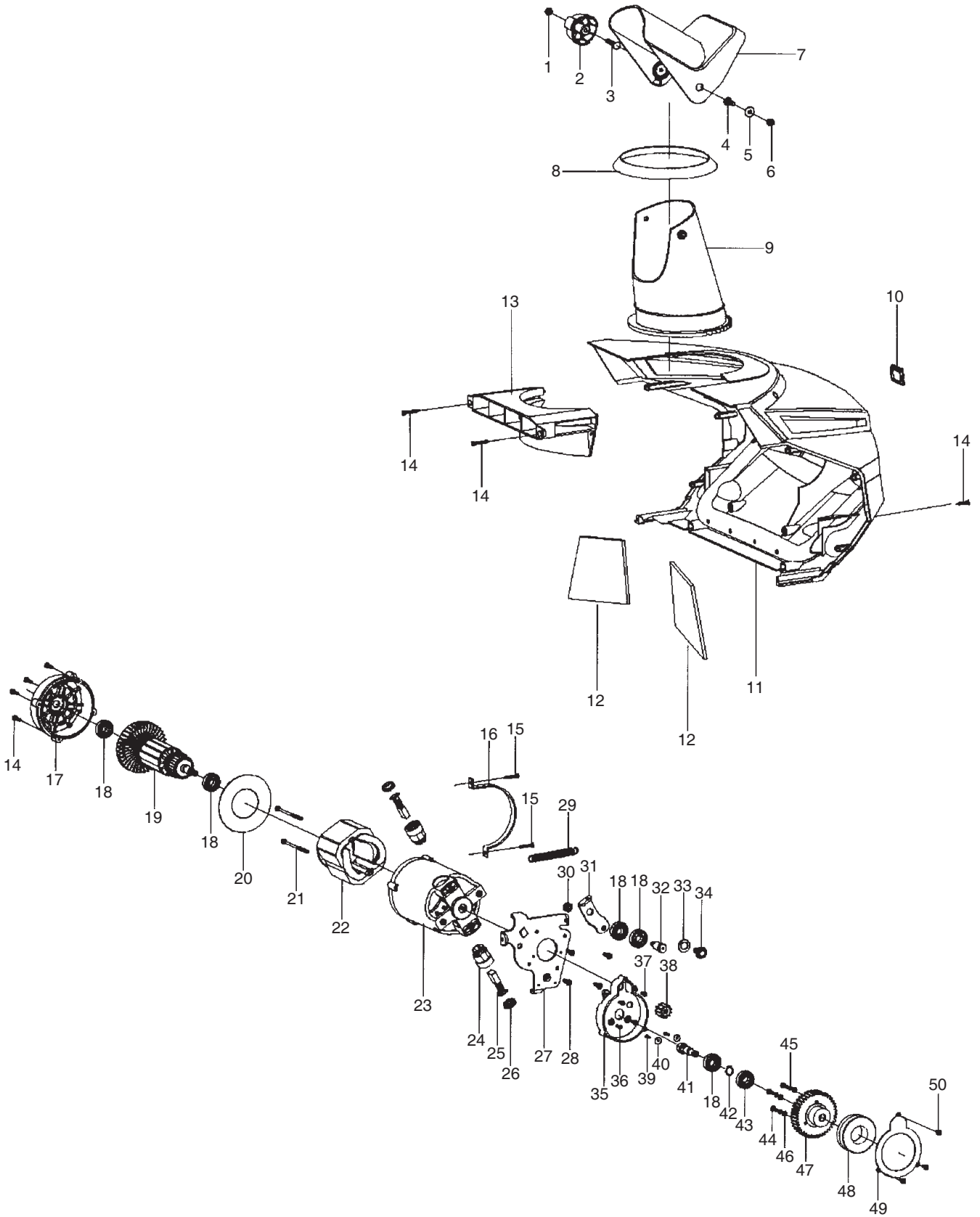
COPYRIGHT by GLOBAL GARDEN PRODUCTS

All rights reserved. No part of this material may be reproduced or transmitted, in any form or by any means, electronic or mechanical, including photocopying, recording or by any information storage and retrieval system, without permission in writing from GLOBAL GARDEN PRODUCTS.

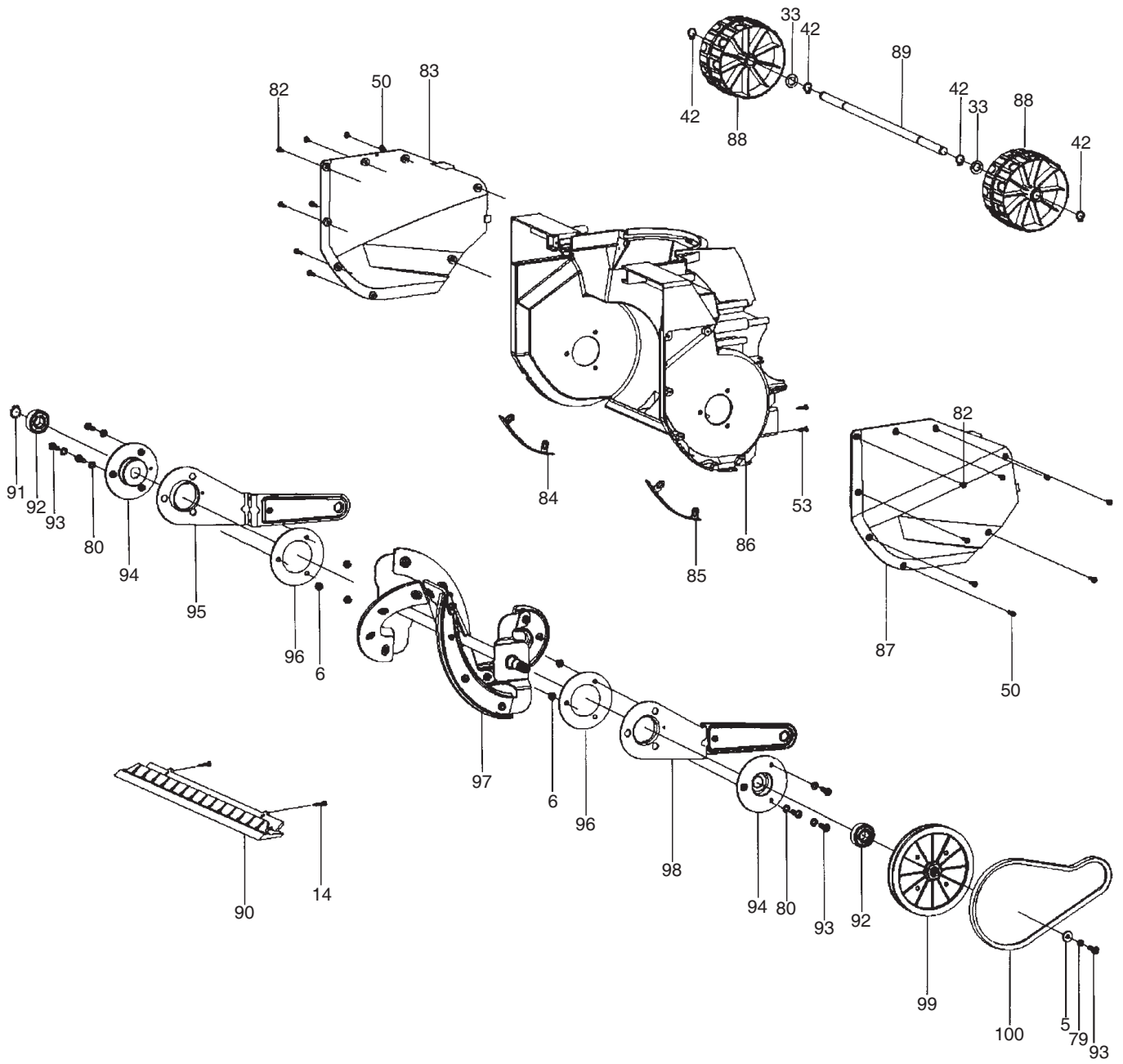




Utgåva Issue 2011-14		Bildnr Picture No 2827		SNOW ELECTRIC 1800 ALPINA AS 45E STYRE REGLAGE		SNOW ELECTRIC 1800 ALPINA AS 45E HANDLE CONTROLS		Sida Page 2	
Pos. Fig.	Antal/Quantity				Art nr Part No	Benämning	Description	Sats Kit	Anmärkning Notes
	2802 -31	2801 -41							
X	1	8	8		9799-0631-02	Mutter.....	Nut.....		
	5	2	2		1811-2652-01	Bricka.....	Washer.....		
	6	2	2		9799-0631-02	Mutter.....	Nut.....		
	15	2	2		9847-7925-16	Skruv.....	Screw.....		
X	51	1	1		1811-2657-01	Brytare.....	Switch.....		
X	52	3	3		1811-2611-01	Gummiring.....	Rubber ring.....		
	53	2	2		9847-7916-16	Skruv.....	Screw.....		
X	54	1	1		1811-2665-01	Kabelklämma.....	Wire clamp.....		
X	55	1	1		1811-2656-01	Anslutningsplint.....	Terminal.....		
X	56	1	1		1811-2620-01	Styre.....	Handle.....		
X	57	1	1		1811-2661-01	Dragavlastare-kabel.....	Cord hook.....		
X	58	1	1		1811-2664-01	Klämmring.....	Clamp ring.....		
X	59	2	2		1811-2663-01	Plugg.....	Plug.....		
X	60	4	4		1811-2666-01	Vagnsbult.....	Carriage bolt.....		
X	61	4	4		1811-2658-01	Styrknopp.....	Handle knob.....		
X	62	1	1		1811-2619-01	Styre-mellan.....	Frame-middle.....		
X	63	2	2		1811-2660-01	Kabelklämma.....	Wire clamp.....		
X	64	2	2		1811-2662-01	Plugg.....	Plug.....		
X	65	1	1		1811-2618-01	Styre-nedre.....	Frame-lower.....		
	66	4	4		9997-0630-12	Skruv.....	Screw.....		
X	67	1	1		1811-2617-01	Handtagslock.....	Rocking handle cover.....		
X	68	3	3		1811-2667-01	Låsring.....	Circlip for shaft.....		
X	69	1	1		1811-2616-01	Handtag.....	Rocking handle.....		
X	70	1	1		1811-2615-01	Inställningsvev.....	Rocking shaft.....		
X	71	1	1		1811-2614-01	Förbindning.....	Connecting suite.....		
X	72	1	1		1811-2643-01	Skruv.....	Tighten screw.....		
X	73	3	3		9941-0416-16	Skruv.....	Screw.....		
X	74	1	1		1811-2613-01	Förbindningsstång.....	Connecting rod.....		
X	75	1	1		1811-2612-01	Led.....	Shaft joint.....		
X	76	1	1		1811-2610-01	Inställningsaxel.....	Direction turn shaft.....		
X	77	1	1		1811-2609-01	Drevfäste.....	Gear bracket.....		
X	78	1	1		1811-2608-01	Drev.....	Gear.....		
	79	4	4		9683-0025-02	Låsbricka.....	Lock washer.....		
	80	4	4		9699-0025-02	Planbricka.....	Washer.....		
	81	4	4		9898-0645-12	Skruv.....	Screw.....		
X	99	1			8218-2259-20	Bruksanvisning.....	Owner's manual.....		STIGA
X	99		1		8218-2262-20	Bruksanvisning.....	Owner's manual.....		ALPINA



Utgåva Issue 2011-14		Bildnr Picture No 2828		SNOW ELECTRIC 1800 ALPINA AS 45E MOTOR		SNOW ELECTRIC 1800 ALPINA AS 45E MOTOR		Sida Page 4	
Pos. Fig.	Antal/Quantity				Art nr Part No	Benämning	Description	Sats Kit	Anmärkning Notes
	2802 -31	2801 -41							
X	1	1	1		9799-0631-02	Mutter.....	Nut.....		
	2	1	1		1811-2601-01	Justerratt.....	Adjustment knob.....		
	3	1	1		9898-0635-12	Skruv.....	Screw.....		
	4	1	1		9898-0620-16	Skruv.....	Screw.....		
X	5	1	1		1811-2652-01	Bricka.....	Washer.....		
	6	1	1		9799-0631-02	Mutter.....	Nut.....		
X	7	1	1		1811-2600-01	Utkastdeflektor.....	Discharge chute cover.....		
X	8	1	1		1811-2646-01	Tätningring.....	Seal ring.....		
X	9	1	1		1811-2599-01	Utkaströr.....	Discharge chute.....		
X	10	1	1		1811-2597-01	Dekorationsstrip.....	Decoration strip.....		
X	11	1			1811-2602-01	Kåpa- gul.....	Derk- yellow.....		
X	11		1		1811-2602-02	Kåpa- vit.....	Derk- white.....		
X	12	2	2		1811-2644-01	Dämpning.....	Sponge.....		
X	13	1	1		1811-2596-01	Fästplatta.....	Fixed plate.....		
	14	14	14		9847-7919-16	Skruv.....	Screw.....		
	15	5	5		9847-7925-16	Skruv.....	Screw.....		
X	16	1	1		1811-2641-01	Motorfästbygel.....	Motor fixed clamp.....		
X	17	1	1		1811-2651-01	Motorgavel.....	Motor shroud.....		
	18	5	5		9549-0043-00	Kullager.....	Ball bearing.....		
X	19	1	1		1811-2648-01	Rotor.....	Rotor.....		
X	20	1	1		1811-2645-01	Luftledning.....	Wind- guide ring.....		
X	21	2	2		1811-2670-01	Skruv.....	Screw.....		
X	22	1	1		1811-2649-01	Stator.....	Stator.....		
X	23	1	1		1811-2650-01	Motorhus.....	Motor shroud.....		
X	24	2	2		1811-2654-01	Borsthållare.....	Brush holder.....		
X	25	2	2		1811-2647-01	Borste.....	Brush.....		
X	26	2	2		1811-2655-01	Borsthållarlock.....	Brush holder cover.....		
X	27	1	1		1811-2628-01	Växellådsplåt.....	Speed changing brkt.....		
	28	4	4		9847-8016-16	Skruv.....	Screw.....		
X	29	1	1		1811-2632-01	Fjäder.....	Tensioning spring.....		
	30	1	1		9799-0831-02	Mutter.....	Nut.....		
X	31	1	1		1811-2629-01	Spännarm.....	Tensioning bracket.....		
X	32	1	1		1811-2631-01	Spännhjulaxel.....	Tension wheel shaft.....		
X	33	1	1		1811-2626-01	Bricka.....	Washer.....		
X	34	1	1		1811-2630-01	Bult.....	Tensioning shaft bolt.....		
X	35	1	1		1811-2637-01	Växellåda.....	Gearbox.....		
X	36	2	2		1811-2668-01	Skruv.....	Screw.....		
X	37	2	2		9941-0408-16	Skruv.....	Screw.....		
X	38	1	1		1811-2633-01	Drev- litet.....	Gear- small.....		
	39	2	2		9847-7709-16	Skruv.....	Screw.....		
X	40	2	2		1811-2659-01	Bricka.....	Washer.....		
X	41	1	1		1811-2636-01	Axel.....	Shaft.....		
X	42	1	1		9652-0012-04	Spårryttare.....	Circlip.....		
X	43	1	1		1811-2671-01	Kullager.....	Ball bearing.....		
	44	3	3		9941-0410-16	Skruv.....	Screw.....		
	45	3	3		9683-0010-02	Bricka.....	Washer.....		
	46	3	3		9699-0021-02	Bricka.....	Washer.....		
X	47	1	1		1811-2634-01	Drev- stort.....	Gear- big.....		
X	48	1	1		1811-2635-01	Remskiva- liten.....	Belt wheel- small.....		
X	49	1	1		1811-2638-01	Växellådslock.....	Gearbox cover.....		
X	50	4	4		1811-2669-01	Skruv.....	Screw.....		



Utgåva Issue 2011-14		Bildnr Picture No 2829		SNOW ELECTRIC 1800 ALPINA AS 45E SNÖSKRUV		SNOW ELECTRIC 1800 ALPINA AS 45E AUGER		Sida Page 6	
Pos. Fig.	Antal/Quantity				Art nr Part No	Benämning	Description	Sats Kit	Anmärkning Notes
	2802 -31	2801 -41							
X	5	1	1		1811-2652-01	Bricka	Washer.....		
	6	6	6		9799-0631-02	Mutter.....	Nut.....		
	14	2	2		9847-7919-16	Skruv.....	Screw.....		
X	33	2	2		1811-2626-01	Bricka	Washer.....		
X	42	4	4		9652-0012-04	Spärryttare	Circlip.....		
X	50	11	11		1811-2669-01	Skruv.....	Screw.....		
	53	6	6		9847-7916-16	Skruv.....	Screw.....		
	79	3	3		9683-0025-02	Låsbricka.....	Lock washer.....		
	80	8	8		9699-0025-02	Planbricka.....	Washer.....		
	82	4	4		9847-7909-16	Skruv.....	Screw.....		
X	83	1	1		1811-2604-01	Sidoplåt- hö	Cover- RH.....		
X	84	1	1		1811-2606-01	Slitskydd- hö.....	Wearing plate- RH.....		
X	85	1	1		1811-2605-01	Slitskydd- vä	Wearing plate- LH.....		
X	86	1	1		1811-2598-01	Inmatningshus.....	Snow bucket		
X	87	1	1		1811-2603-01	Sidoplåt- vä.....	Cover- LH.....		
X	88	2	2		1811-2627-01	Hjul	Wheel.....		
X	89	1	1		1811-2625-01	Hjulaxel.....	Wheel shaft		
X	90	1	1		1811-2607-01	Skrapskär	Snow shoveling plate.....		
	91	1	1		9652-0015-04	Låsring	Retaining ring		
	92	2	2		9549-0044-00	Kullager	Ball bearing		
	93	7	7		9947-0616-16	Skruv.....	Screw.....		
X	94	2	2		1811-2623-01	Lagerhållare.....	Bearing suite.....		
X	95	1	1		1811-2622-01	Stödplåt- hö	Supporting plate- RH.....		
X	96	2	2		1811-2624-01	Klämmpatta	Clamp plate		
X	97	1	1		1811-2642-01	Snöskruv kpl.....	Auger assy		
X	98	1	1		1811-2621-01	Stödplåt- vä	Supporting plate- LH.....		
X	99	1	1		1811-2640-01	Remskiva- stor.....	Belt wheel- big.....		
X	100	1	1		1811-2639-01	Drivrem	Belt.....		