

# Genuine Spare Parts

www.stiga.com

## SNOW BLIZZARD Model Year 2011/12

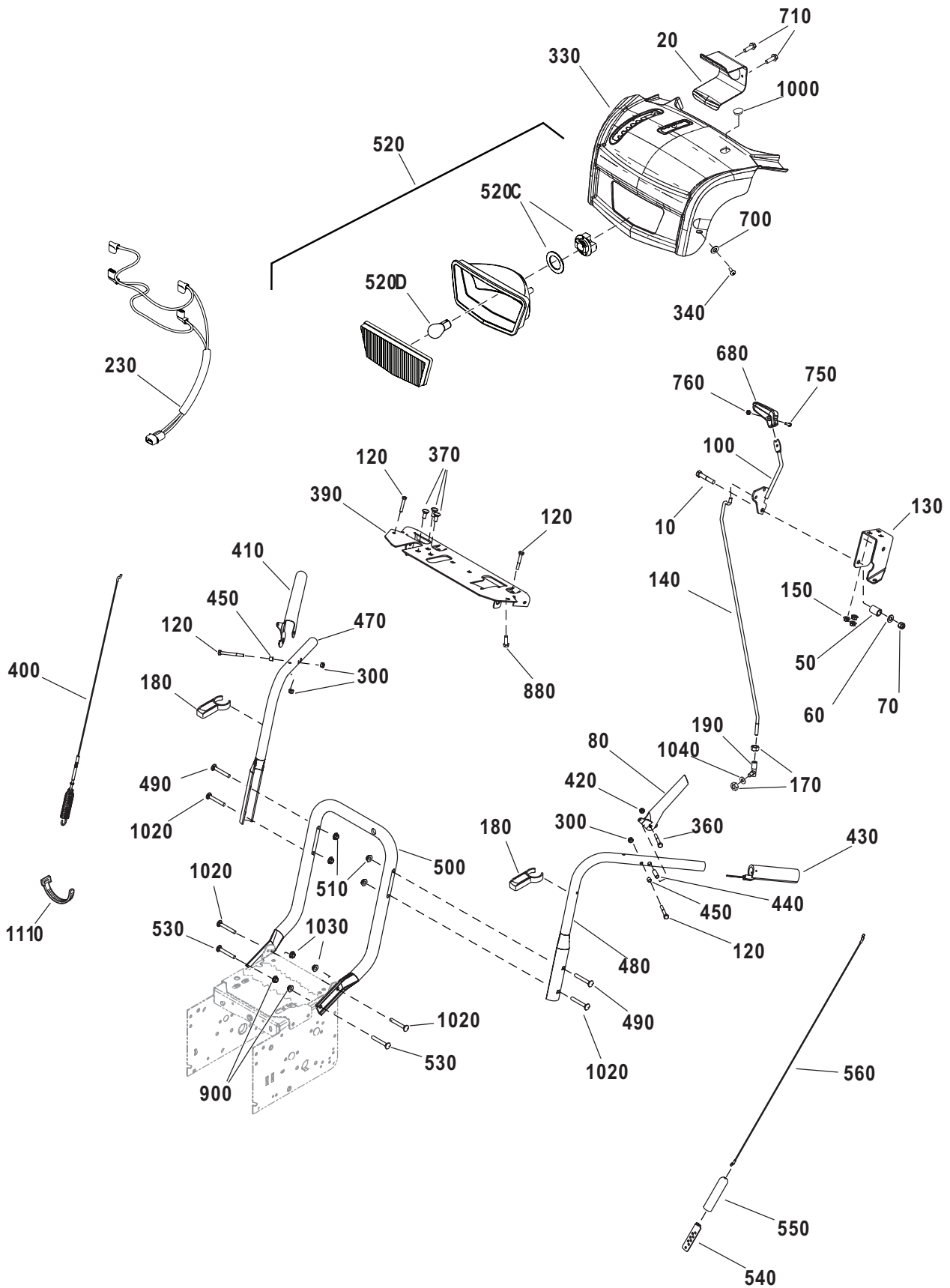
includes:  
18-2830-32 Snow Blizzard

- Use GLOBAL GARDEN PRODUCT Genuine Spare Parts specified in the parts list for repair and/or replacement.
- The contents described in the parts list may change due to improvement.
- The drawings of the spare parts are only indicative and might not represent the part in question exactly.
- The indications "right" - "left" - "front" - "rear" refer to the position of the operator when using the machine.
- When placing orders of parts for repair and/or replacement, make sure that the illustrated parts list is the one applying to the machine's year of manufacture, as shown on the identification plate attached to the machine.

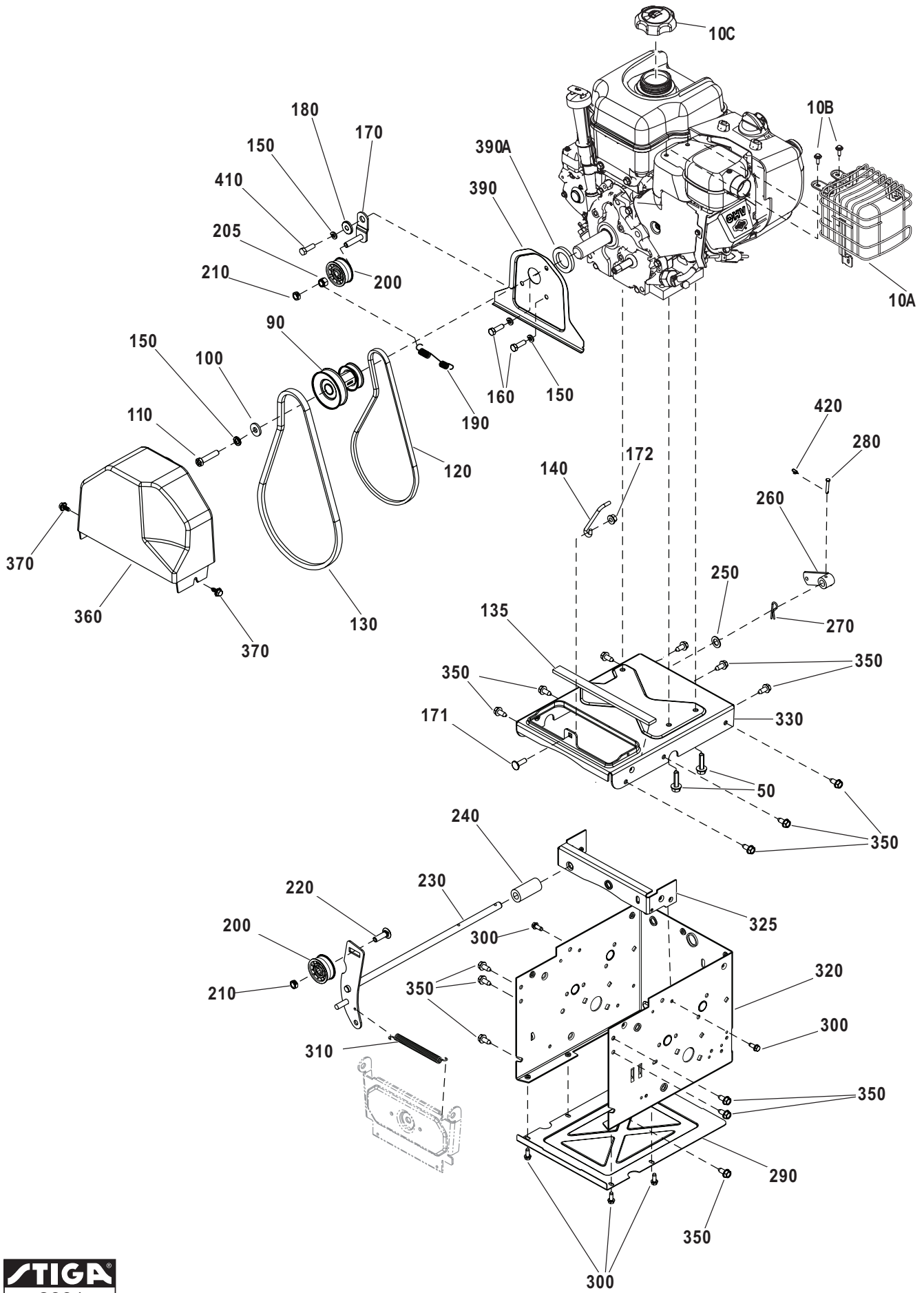
COPYRIGHT by GLOBAL GARDEN PRODUCTS

All rights reserved. No part of this material may be reproduced or transmitted, in any form or by any means, electronic or mechanical, including photocopying, recording or by any information storage and retrieval system, without permission in writing from GLOBAL GARDEN PRODUCTS.

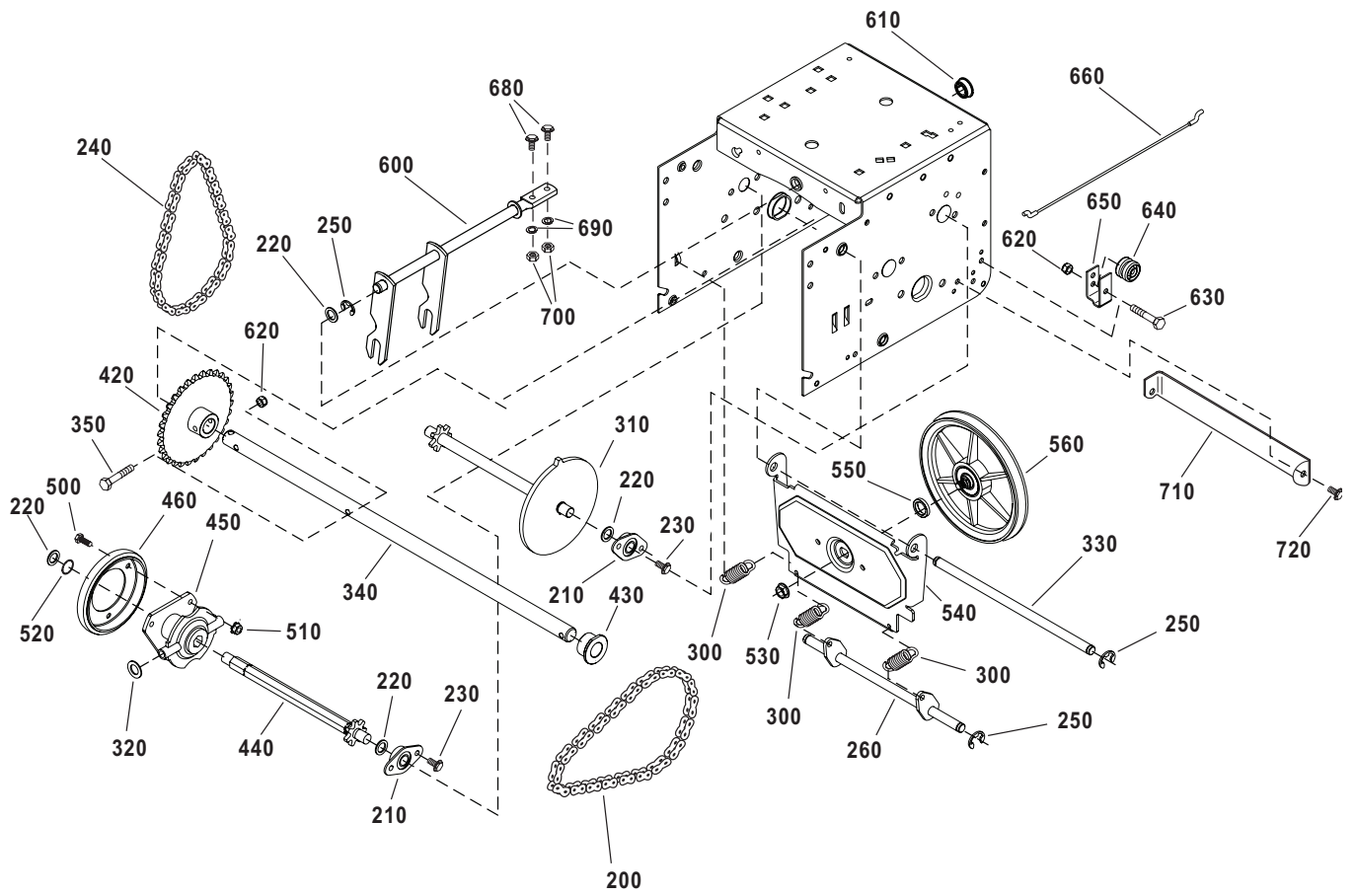




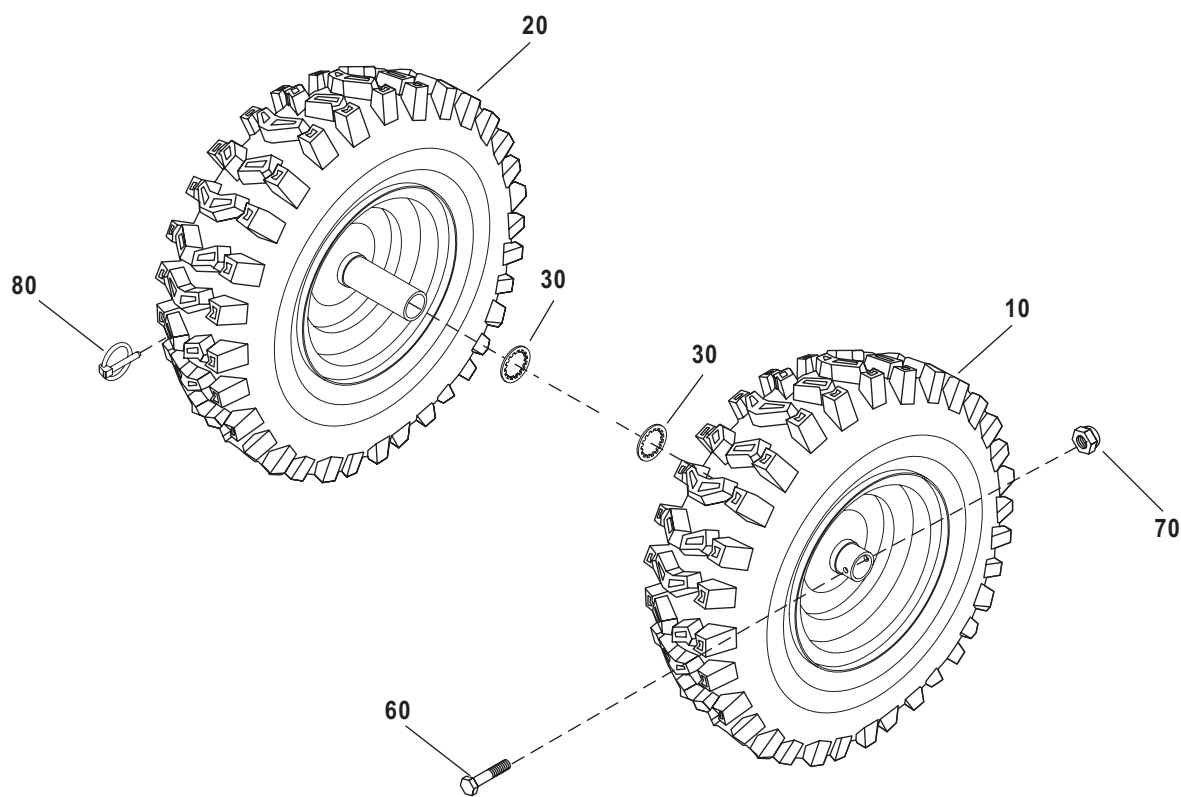
Utgåva Issue 2011-14		Bildnr Picture No 2830		SNOW BLIZZARD STYRE REGLAGE		SNOW BLIZZARD HANDLE CONTROLS		Sida Page 64	
Pos. Fig.	Antal/Quantity				Art nr Part No	Benämning	Description	Sats Kit	Anmärkning Notes
	2830 -32								
X	10	1			9988-3751-12	Skruv.....	Screw.....		
	20	1			1812-2727-01	Fäste, belysning.....	Bracket, light mount.....		
	50	1			1812-0304-01	Fjäder.....	Spring.....		
	60	1			9699-0029-02	Planbricka.....	Flat washer.....		
	70	1			9743-3721-32	Mutter.....	Nut.....		
	80	1			1812-2605-01	Koppl.reglage- vä.....	Clutch lever- LH.....		
	100	1			1812-2511-01	Regl.spak- hastighet.....	Speed lever.....		
	120	4			9988-3545-12	Skruv.....	Screw.....		
	130	1			1812-2417-01	Fäste.....	Controls brkt.....		
X	140	1			1812-2751-01	Reglagestång.....	Rod, speed control.....		
	150	3			9727-3641-22	Mutter.....	Nut.....		
	170	2			9794-5131-02	Mutter.....	Nut.....		
X	180	2			1812-2738-01	Monteringsfäste.....	Bracket, mounting.....		
	190	1			1812-2562-01	Kulled.....	Ball joint.....		
X	230	1			1812-2731-01	Kablage, belysning.....	Wiring harness, light.....		
	300	4			9743-3521-32	Mutter.....	Nut.....		
X	330	1			1812-2728-01	Panel.....	Cover, panel.....		
	340	2			1812-2257-01	Skruv.....	Screw.....		
	360	2			1812-2623-01	Ansatsbult.....	Shoulder bolt.....		
	370	3			9899-3625-16	Skruv.....	Screw.....		
	390	1			1812-2575-01	Panelfäste.....	Dash support.....		
	400	1			1812-2542-01	Reglagewire- snöskruv.....	Drive cable- auger.....		
	410	1			1812-2606-01	Koppl.reglage- hö.....	Clutch lever- RH.....		
	420	2			1812-2256-01	Mutter.....	Nut.....		
	430	2			1812-2351-01	Handtag.....	Hand grip.....		
	440	2			1812-2412-01	Distans.....	Stepped spacer.....		
	450	2			1812-2148-01	Distans.....	Spacer.....		
	470	1			1812-2317-01	Styre överdel- hö.....	Handle upper- RH.....		
	480	1			1812-2316-01	Styre överdel- vä.....	Handle upper- LH.....		
	490	2			1812-2479-01	Vagnsbult.....	Carriage bolt.....		
	500	1			1812-2519-01	Styre- undre.....	Handle- lower.....		
	510	4			9743-3621-32	Mutter.....	Nut.....		
X	520	1			1812-2726-01	Strålkastare kpl.....	Headlight assy.....		
X	520 C	1			1812-2724-01	• Lamphållare & packn.....	• Socket & gasket.....		
	520 D	1			1812-1245-01	• Glödlampa.....	• Light bulb.....		
	530	2			9899-3625-16	Skruv.....	Screw.....		
	540	1			1133-0977-01	Wirefäste.....	Cable adjust bracket.....		
	550	1			1133-0968-01	Wirehylsa.....	Clutch spring boot.....		
	560	1			1812-2126-01	Reglagewire.....	Drive cable.....		
	680	1			1812-2379-01	Knopp.....	Knob.....		
	700	2			9699-0026-02	Planbricka.....	Flat washer.....		
	710	2			1812-1394-01	Skruv.....	Screw.....		
	750	1			1812-2481-01	Skruv.....	Screw.....		
	760	1			1812-2256-01	Mutter.....	Nut.....		
X	880	2			1812-2765-01	Skruv.....	Screw.....		
	900	4			9795-3631-02	Mutter.....	Nut.....		
X	1000	1			1812-2753-01	Plugg.....	Plug.....		
	1020	4			1812-2476-01	Vagnsbult.....	Carriage bolt.....		
	1030	2			9743-3621-32	Mutter.....	Nut.....		
	1040	1			9683-0030-02	Låsbricka.....	Lock washer.....		
	1110	2			9579-0003-00	Buntband.....	Cable holder.....		
X	9999	1			8218-2257-20	Bruksanvisning.....	Owner's manual.....		Ej ill/not ill.



Utgåva Issue		Bildnr Picture No		SNOW BLIZZARD RAM MOTOR		SNOW BLIZZARD FRAME ENGINE		Sida Page	
2011-14		2831						66	
Pos. Fig.	Antal/Quantity				Art nr Part No	Benämning	Description	Sats Kit	Anmärkning Notes
	2830 -32								
X	10A	1			797003	Ljuddämparskydd.....	Muffler guard .....		B&S- part
	10B	3			699234	Skruv .....	Screw .....		B&S- part
X	10C	1			795027	Tanklock .....	Fuel cap.....		B&S- part
	50	4			9955-3732-12	Skruv .....	Screw .....		
X	90	1			1812-2739-01	Remskiva.....	Pulley .....		
	100	3			1812-2248-01	Bricka .....	Washer.....		
	110	1			9987-5145-12	Skruv .....	Screw .....		
	120	1			1812-2220-01	Kilrem- drivning.....	Belt- traction drive.....		
	130	1			1812-9020-01	Drivrem .....	Drive belt.....		
X	135	1			1812-2744-01	Tätninglist.....	Seal strip.....		
	140	1			1812-2532-01	Remstyrning.....	Belt stop.....		
	150	4			9683-0030-02	Låsbricka .....	Lock washer .....		
	160	2			9987-5119-16	Skruv .....	Screw.....		
X	170	1			1812-2742-01	Spännarm .....	Bracket, idler .....		
	171	1			9899-3625-16	Skruv .....	Screw .....		
	172	1			9795-3631-02	Mutter.....	Nut .....		
	180	1			1812-1705-01	Bussning .....	Bushing.....		
	190	1			1812-2489-01	Fjäder.....	Ext.idler spring.....		
	200	2			1812-2077-01	Spännrulle .....	Tension roller .....		
	205	1			9743-3721-32	Mutter.....	Nut .....		
	210	2			9743-3721-32	Mutter.....	Nut .....		
	220	1			9899-3732-16	Skruv .....	Screw .....		
X	230	1			1812-2740-01	Spännarm .....	Idler, auger.....		
X	240	1			1812-2743-01	Distans .....	Spacer, auger brkt.....		
	250	1			9699-0038-02	Planbricka.....	Flat washer.....		
	260	1			1812-2308-01	Reglagearm .....	Control arm .....		
	270	1			1812-2490-01	Låsnål.....	Hair pin .....		
	280	1			1812-2407-01	Sprint.....	Clevis pin .....		
	290	1			1812-2516-01	Bottenplåt .....	Bottom panel.....		
	300	6			1812-2250-01	Skruv .....	Screw .....		
	310	1			1812-1676-01	Fjäder.....	Tension spring .....		
X	320	1			1812-2733-01	Ram .....	Frame, box.....		
X	325	1			1812-2732-01	Fäste.....	Bracket.....		
X	330	1			1812-2737-01	Motorplatta.....	Plate, engine mount .....		
	350	19			1812-2141-01	Skruv .....	Screw .....		
	360	1			1812-2622-01	Remskydd .....	Belt cover .....		
	370	2			1812-1680-01	Skruv .....	Screw.....		
	390	1			1812-2504-01	Regnskydd.....	Water shield.....		
	390A	1			1812-2505-01	Tätning .....	Foam seal.....		
	410	1			9987-5125-16	Skruv .....	Screw.....		
	420	1			1812-2281-01	Låsnål.....	Cotter pin .....		

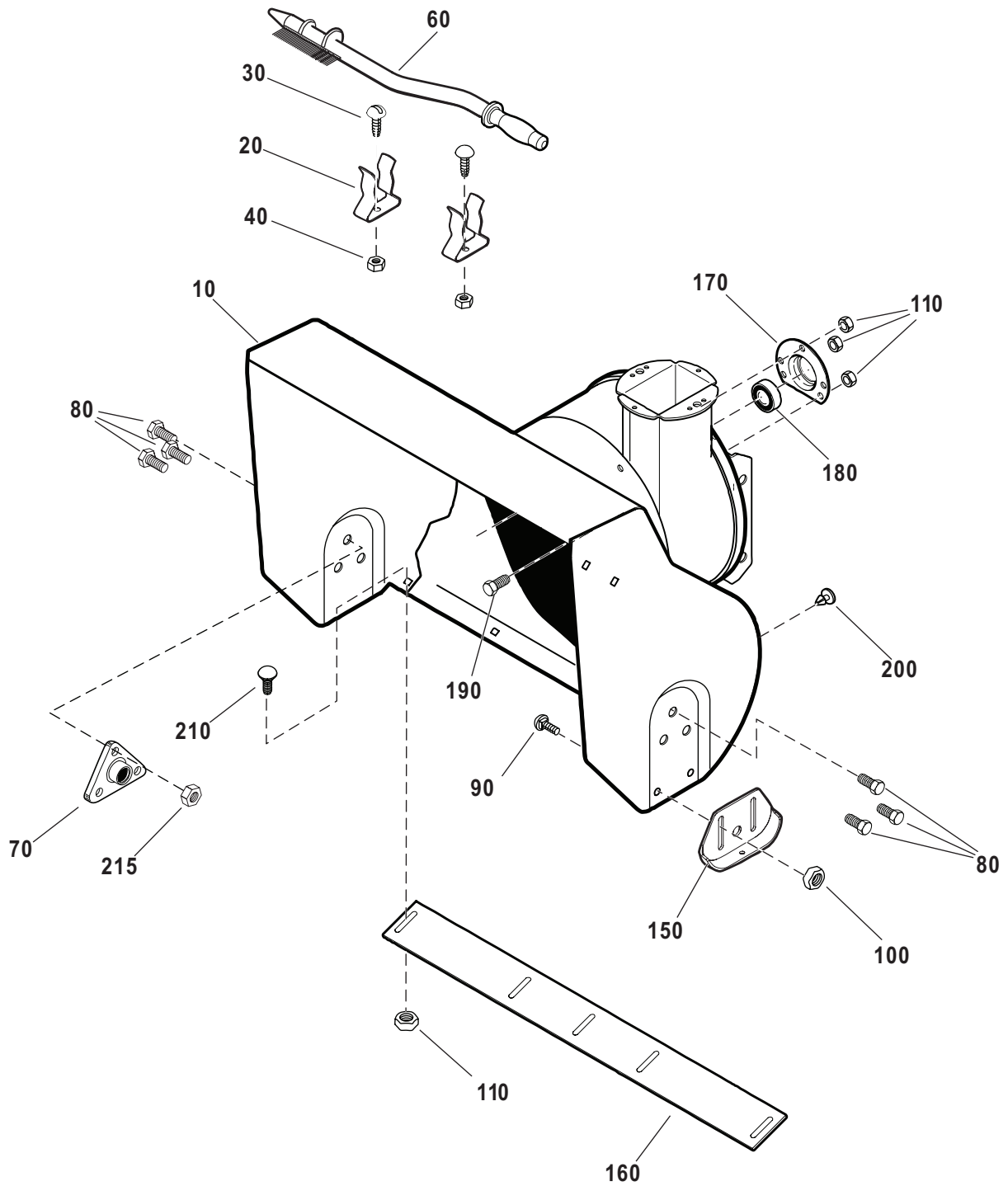


Utgåva Issue		Bildnr Picture No		SNOW BLIZZARD DRIVNING		SNOW BLIZZARD TRACTION DRIVE		Sida Page	
2011-14		2712A						68	
Pos. Fig.	Antal/Quantity				Art nr Part No	Benämning	Description	Sats Kit	Anmärkning Notes
	2830 -32								
200	1			1812-1686-01	Kedja .....	Chain .....			
210	4			1812-1178-01	Glidlager m.hållare .....	Bearing & retainer .....			
220	5			1812-1204-01	Bricka .....	Washer .....			
230	8			1812-2249-01	Skruv .....	Screw .....			
240	1			1812-1688-01	Kedja .....	Chain .....			
250	5			1812-1672-01	Låsring .....	Retainer ring .....			
260	1			1812-2076-01	Fjäderlänkarm .....	Spring link .....			
300	3			1812-2410-01	Fjäder .....	Extension spring .....			
310	1			1812-1751-01	Mellanaxel m.drev .....	Intermed. sprocket .....			
320	2			9699-0038-02	Planbricka .....	Flat washer .....			
330	1			1812-1713-01	Axel- svängplatta .....	Axle- swing plate .....			
340	1			1812-1863-01	Hjulaxel .....	Axle shaft .....			
350	1			9988-3545-12	Skruv .....	Screw .....			
420	1			1812-1712-01	Kedjedrev .....	Sprocket .....			
430	2			1812-1724-01	Lager .....	Axle bearing .....			
440	1			1812-1750-01	Sexkantsaxel .....	Hex shaft .....			
X 450	1			1812-2734-01	Nav, friktionshjul .....	Hub, friction wheel .....			
460	1			1812-9028-01	Friktionshjul .....	Friction disc wheel .....			
500	3			9988-3516-16	Skruv .....	Screw .....			
510	3			9795-3531-02	Mutter .....	Nut .....			
520	1			1812-2380-01	Låsring .....	Retext ring .....			
530	1			1812-1674-01	Flänslåsmutter .....	Flange lock nut .....			
540	1			1812-1701-01	Svängplatta .....	Swing plate .....			
550	1			1812-1739-01	Distans .....	Spacer .....			
560	1			1812-1725-01	Friktionsremskiva .....	Friction pulley .....			
600	1			1812-1720-01	Växelarm .....	Yoke rod .....			
610	1			1812-1219-01	Plastbussning .....	Plastic bushing .....			
620	2			9743-3521-32	Mutter .....	Nut .....			
630	1			9988-3538-12	Skruv .....	Screw .....			
640	1			1812-1205-01	Spole .....	Spool .....			
X 650	1			1812-2745-01	Fäste, wirerulle .....	Bracket, cable spool .....			
X 660	1			1812-2746-01	Wire .....	Cable .....			
680	2			9988-3516-16	Skruv .....	Screw .....			
690	2			9683-0025-02	Låsbricka .....	Lock washer .....			
700	2			9743-3521-32	Mutter .....	Nut .....			
710	1			1812-1999-01	Stödstag .....	Support bracket .....			
720	2			1812-2250-01	Skruv .....	Screw .....			

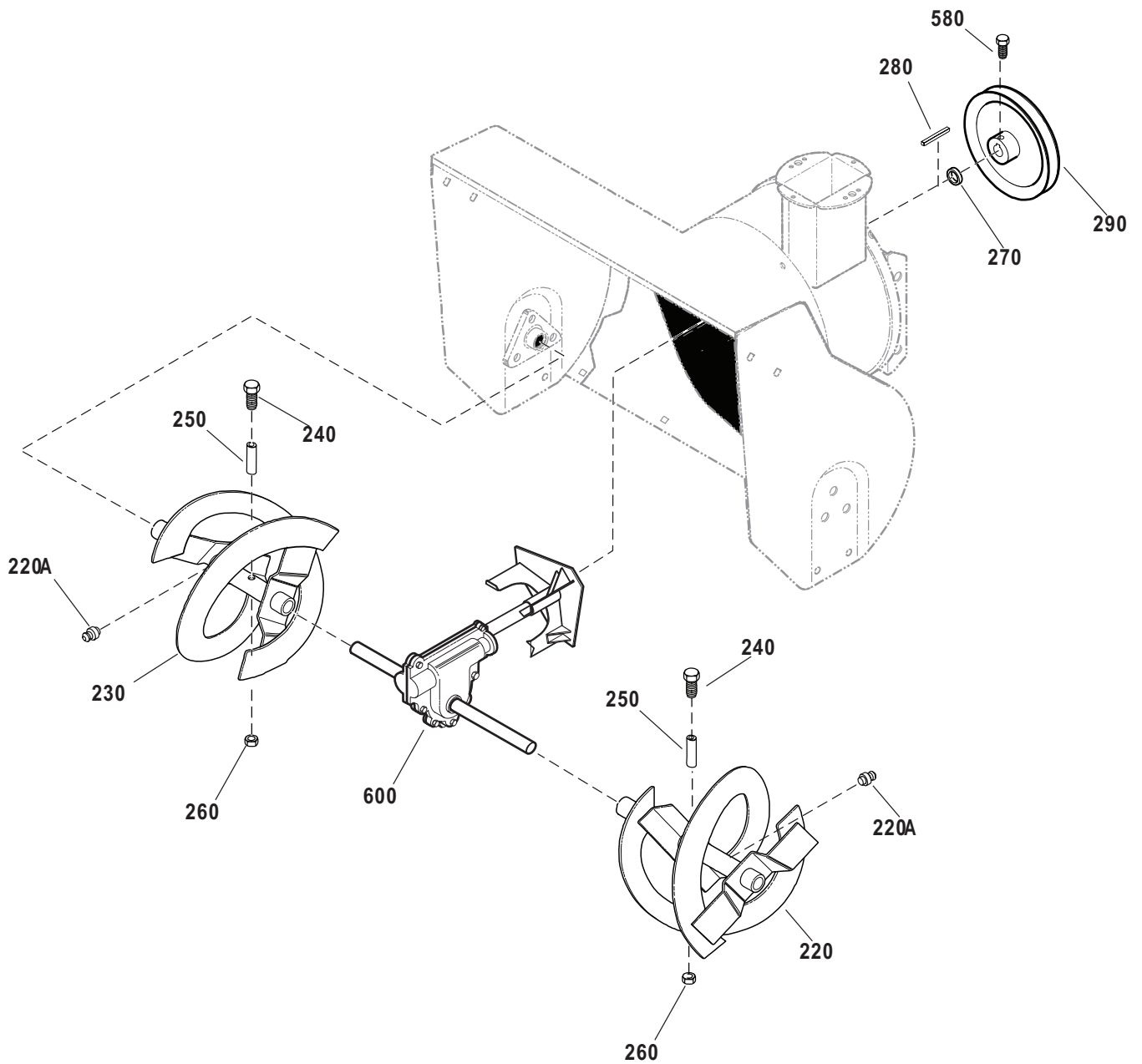




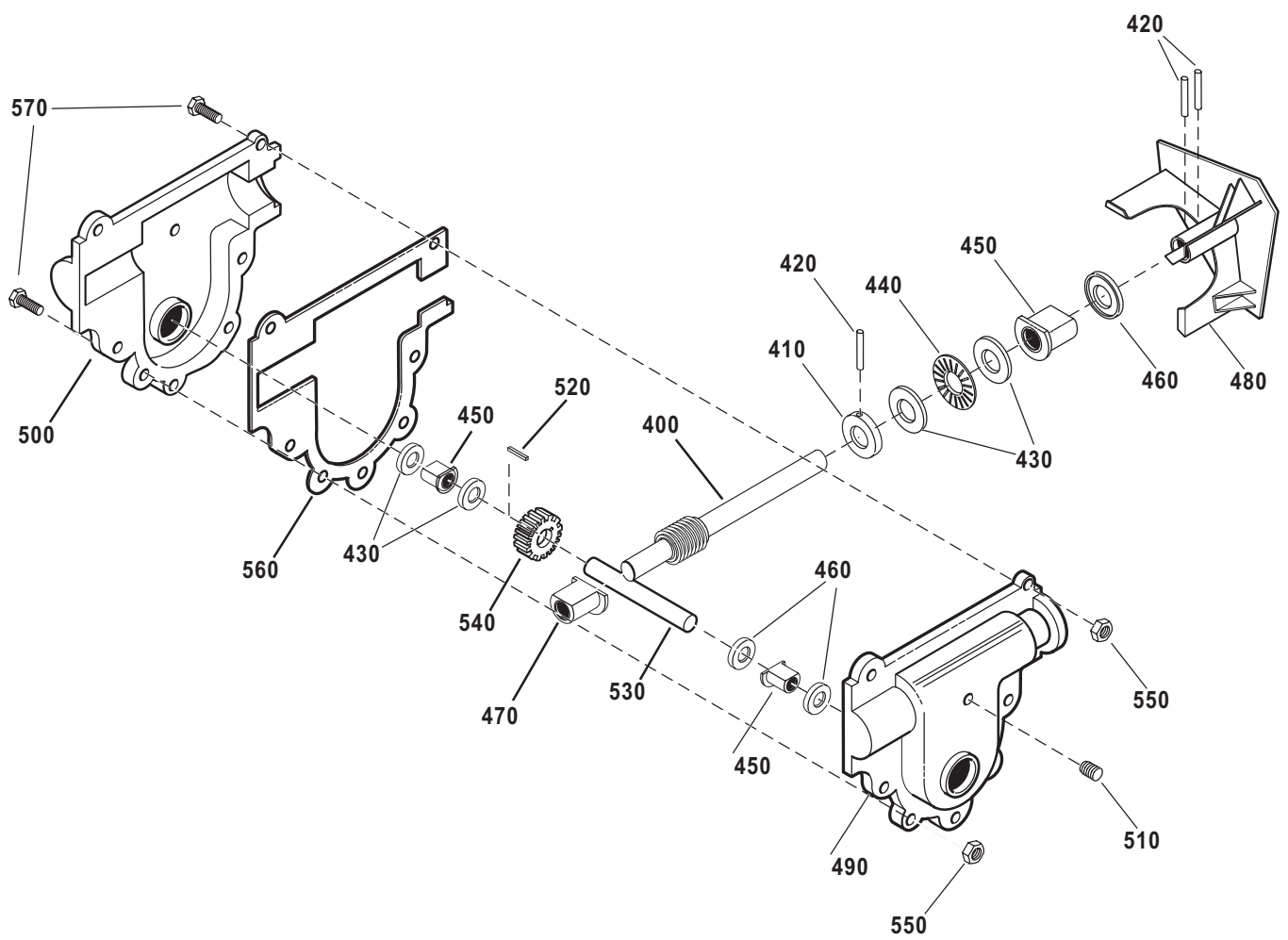
Utgåva Issue 2011-14		Bildnr Picture No 2713B		SNOW BLIZZARD HJUL		SNOW BLIZZARD WHEELS		Sida Page 70	
Pos. Fig.	Antal/Quantity				Art nr Part No	Benämning	Description	Sats Kit	Anmärkning Notes
	2830 -32								
10	1				1812-2633-01	Hjul kpl- vä.....	Wheel & tire assy- LH .....		
20	1				1812-2634-01	Hjul kpl- hö .....	Wheel & tire assy- RH .....		
30	2				1812-2139-01	Låsring .....	Retaining ring .....		
60	1				1812-1114-01	Bult.....	Bolt .....		
70	1				1812-1760-01	Mutter .....	Nut .....		
80	1				1812-0408-01	Låssprint .....	Click pin .....		



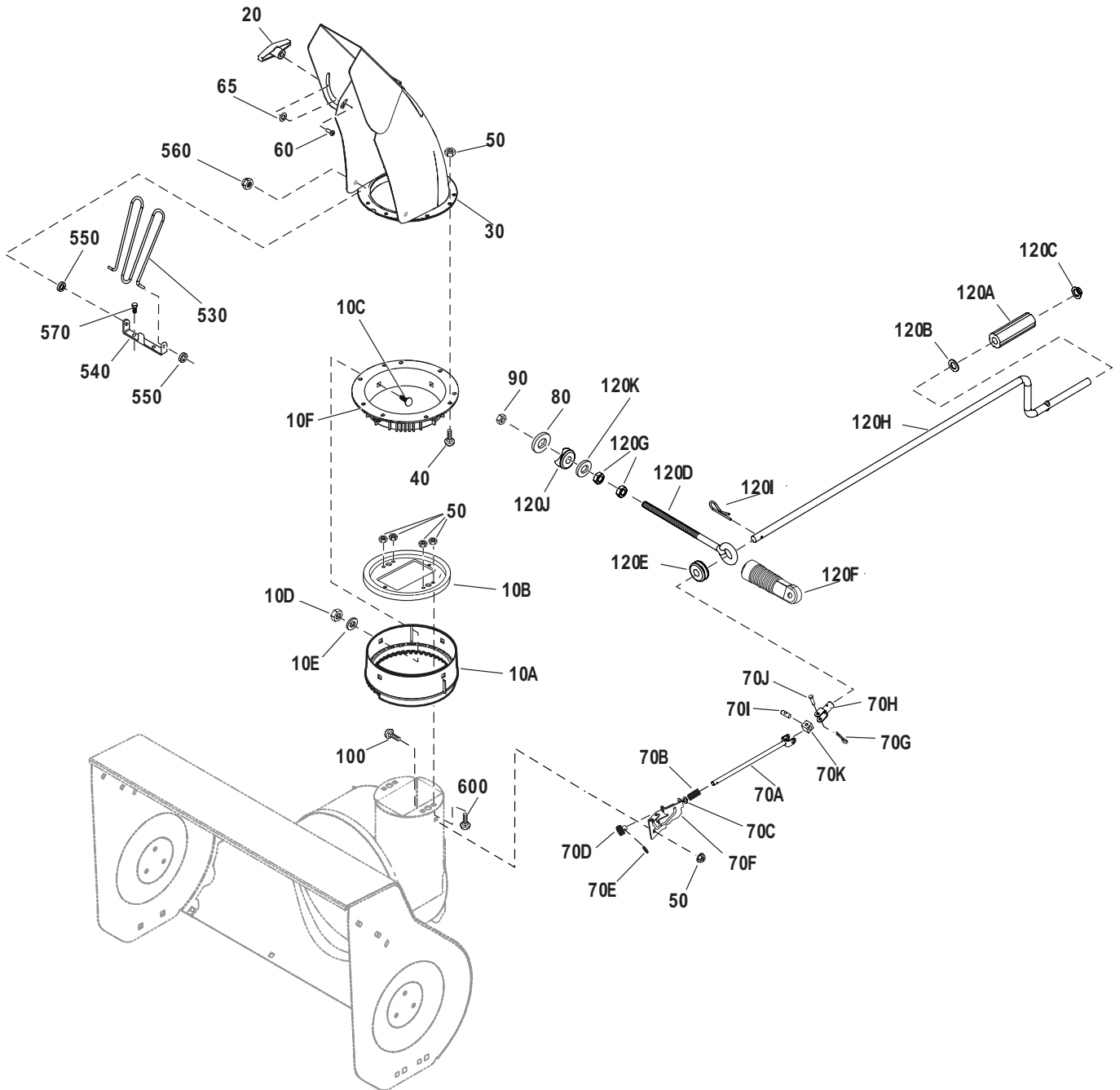
Utgåva Issue 2011-14		Bildnr Picture No 2714A		SNOW BLIZZARD INMATNINGSHUS		SNOW BLIZZARD AUGER HOUSING		Sida Page 72	
Pos. Fig.	Antal/Quantity				Art nr Part No	Benämning	Description	Sats Kit	Anmärkning Notes
	2830 -32								
X 10	1				1812-2719-01	Inmatninghus .....	Auger housing.....		27" (69 cm)
20	2				1812-2413-01	Klämma .....	Spring clamp.....		
30	2				1812-2480-01	Skruv .....	Screw.....		
40	2				1812-1912-01	Mutter.....	Nut.....		
60	1				1812-2400-01	Borste.....	Cleanout brush.....		
70	2				1812-0878-01	Lager .....	Bearing.....		
80	6				9988-3619-16	Skruv .....	Screw.....		
90	4				1812-2487-01	Vagnsbult .....	Carriage bolt .....		
100	4				9743-3721-32	Mutter.....	Nut.....		
110	7				9727-3641-22	Mutter.....	Nut.....		
150	2				1812-2466-01	Släpsko.....	Skid shoe .....		
160	1				1812-2470-01	Skrapskär .....	Scraper blade.....		
170	1				1812-1690-01	Kullagerhållare.....	Ball bearing retainer .....		
180	1				1812-2373-01	Kullager .....	Ball bearing .....		
190	3				9899-3622-16	Skruv .....	Screw.....		
200	2				1812-1430-01	Plugg .....	Plug .....		
210	4				1812-2485-01	Vagnsbult .....	Carriage bolt .....		
215	6				9743-3621-32	Mutter.....	Nut.....		



Utgåva Issue		Bildnr Picture No		SNOW BLIZZARD SNÖSKRUV		SNOW BLIZZARD AUGER DRIVE		Sida Page	
2011-14		2715A						74	
Pos. Fig.	Antal/Quantity				Art nr Part No	Benämning	Description	Sats Kit	Anmärkning Notes
	2830 -32								
220	1				1812-2118-01 Snöskruv- vä.....	Auger- LH.....			
220A	2				1812-2491-01 Smörjnippel.....	Grease fitting.....			
230	1				1812-2117-01 Snöskruv- hö.....	Auger- RH.....			
240	1				1812-9005-01 Brytbultsats.....	Shear bolt kit.....			
250	2				1812-0531-01 • Distans.....	• Spacer.....			
260	2				1812-0812-01 • Låsmutter.....	• Locking nut.....			
270	1				1812-1739-01 Distans.....	Spacer.....			
280	1				1812-1609-01 Kil.....	Key.....			
290	1				1812-1854-01 Remskiva- snöskruv.....	Auger pulley.....			
580	2				1812-1119-01 Skruv.....	Bolt.....			
600	1				1812-2442-01 Snäckväxel kpl.....	Gear case assy.....			

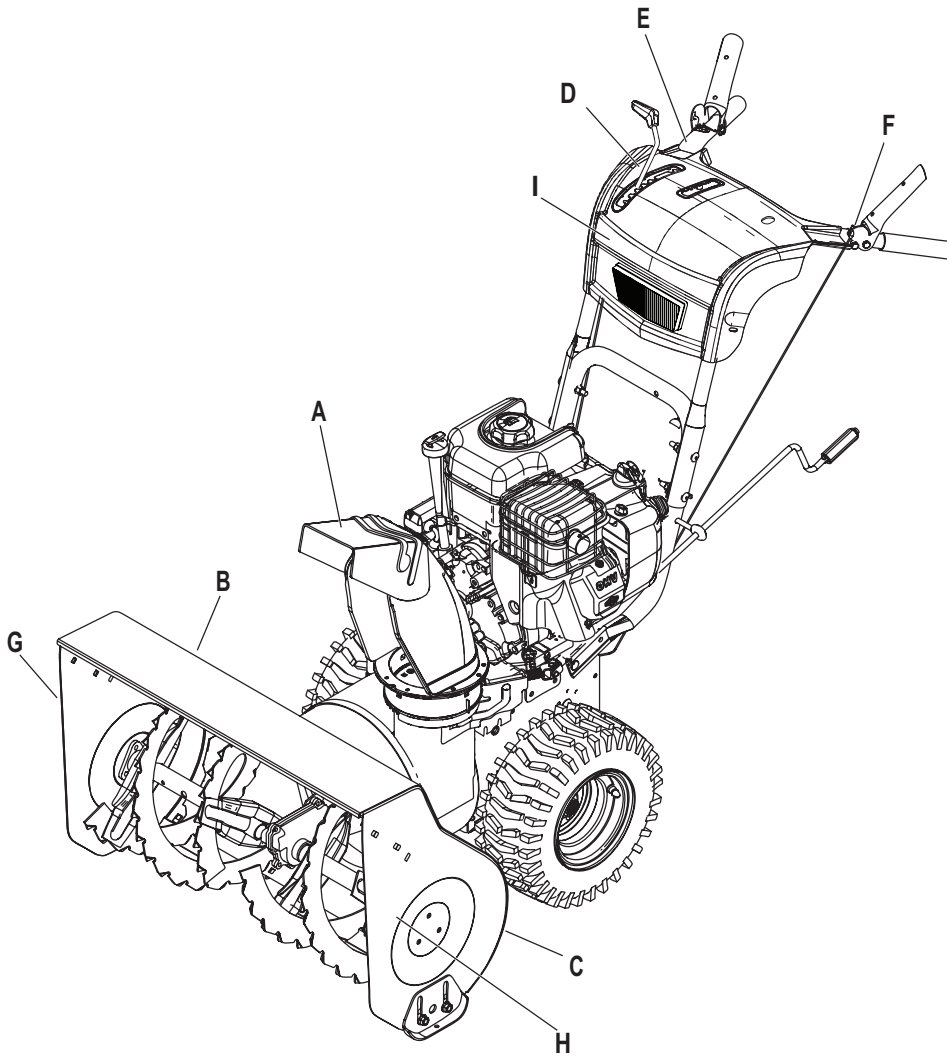


Utgåva Issue 2011-14		Bildnr Picture No 2716A		SNOW BLIZZARD SNÄCKVÄXEL		SNOW BLIZZARD GEAR CASE		Sida Page 76	
Pos. Fig.	Antal/Quantity				Art nr Part No	Benämning	Description	Sats Kit	Anmärkning Notes
	2830 -32								
400	1				1812-1853-01	Ingående axel .....	Input shaft.....		
410	1				1812-1321-01	Distans .....	Thrust collar.....		
420	3				1133-0395-01	Stift.....	Roll pin .....		
430	4				1812-0857-01	Bricka .....	Thrust washer.....		
440	1				1812-0285-01	Nållager .....	Needle bearing .....		
450	3				1812-1360-01	Flänslager .....	Flange bearing.....		
460	3				1812-0881-01	Tätningring .....	Oil seal .....		
470	1				1812-1359-01	Bussning .....	Bushing.....		
480	1				1812-2467-01	Fläkt.....	Impeller.....		
490	1				1812-0908-01	Snäckväxelhus- vä .....	Gear case- LH.....		
500	1				1812-0909-01	Snäckväxelhus- hö .....	Gear case- RH.....		
510	1				1812-0856-01	Skruv .....	Screw.....		
520	1				1812-1371-01	Kil .....	Woodruff key .....		
530	1				1812-2086-01	Snöskruvaxel .....	Auger shaft .....		
540	1				1812-0862-01	Snäckdrev.....	Worm gear .....		
550	7				1812-1758-01	Mutter.....	Nut .....		
560	1				1812-1361-01	Packning.....	Gasket.....		
570	7				9988-3519-16	Skruv .....	Screw.....		





Utgåva Issue		Bildnr Picture No		SNOW BLIZZARD UTKAST		SNOW BLIZZARD DISCHARGE CHUTE		Sida Page	
2011-14		2717B						78	
Pos. Fig.	Antal/Quantity				Art nr Part No	Benämning	Description	Sats Kit	Anmärkning Notes
	2830 -32								
10A	1			1812-1787-01	Utkastring- yttre.....	Retainer ring- outer.....			
10B	1			1812-1983-01	Utkastplatta .....	Chute rotate collar.....			
10C	4			9899-3625-16	Skruv.....	Screw.....			
10D	4			9743-3621-32	Mutter.....	Nut.....			
10E	4			9699-0029-02	Planbricka.....	Flat washer.....			
10F	1			1812-2472-01	Ring- inre.....	Chute ring- inner.....			
20	1			1812-1928-01	Låsraff.....	Wing knob.....			
30	1			1812-2406-01	Utkast.....	Chute assy.....			
40	4			1812-2477-01	Skruv.....	Cap screw.....			
50	8			9743-3521-32	Mutter.....	Nut.....			
60	1			1812-1678-01	Vagnsbult.....	Carriage bolt.....			
65	1			1812-2278-01	Nylonbricka.....	Nylon washer.....			
70	1			1812-2367-01	Inställn.vev- undre.....	Gear/yoke rod- lower.....			Inkl. pos 70A- 70K
70A	1			1812-1826-01	• Gaffelstång.....	• Yoke and rod.....			
70B	1			1812-1761-01	• Fjäder.....	• Spring.....			
70C	1			1812-2108-01	• Bricka.....	• Washer.....			
70D	1			1812-1706-01	• Drev.....	• Gear.....			
70E	1			1812-1791-01	• Låsnål.....	• Hair pin.....			
70F	1			1812-2356-01	• Fäste.....	• Support.....			
70G	1			9599-0033-00	• Saxsprint.....	• Split pin.....			
70H	1			1812-1708-01	• Gaffel.....	• Yoke adapter.....			
70I	1			1812-1316-01	• Axel.....	• Universal pin.....			
70J	1			1812-1318-01	• Sprint.....	• Clevis pin.....			
70K	1			1812-1317-01	• Ledknut.....	• Universal pivot block.....			
80	1			9699-0035-02	Planbricka.....	Flat washer.....			
90	1			9743-3721-32	Mutter.....	Nut.....			
100	1			1812-1831-01	Skruv.....	Screw.....			
120	1			1812-2457-01	Inställn.vev- övre kpl.....	Rod- upper assy.....			Inkl. pos 120A- 120K
120A	1			1812-1168-01	• Handtag.....	• Handle.....			
120B	2			1812-1171-01	• Bricka.....	• Washer.....			
120C	1			1812-1483-01	• Låsning.....	• Retainer.....			
120D	1			1812-1821-01	• Öglebult.....	• Eye bolt.....			
120E	1			1812-0203-01	• Hylsa.....	• Grommet.....			
120F	1			1812-1822-01	• Hylsa- öglebult.....	• Boot- eye bolt.....			
120G	2			9743-3721-32	• Mutter.....	• Nut.....			
120H	1			1812-1707-01	• Inställningsvev.....	• Chute crank.....			
120I	1			1812-2490-01	• Låsnål.....	• Hair pin.....			
120J	2			1812-1172-01	• Adapter.....	• Boot adaptor.....			
120K	1			9699-0035-02	• Planbricka.....	• Flat washer.....			
530	1			1812-2381-01	Utkastskydd.....	Chute guard.....			
540	1			1812-2416-01	Fäste.....	Chute guard brkt.....			
550	2			1812-2426-01	Hylsa.....	Grommet.....			
560	2			1812-2478-01	Snabbmutter.....	Push nut.....			
570	2			1812-2473-01	Skruv.....	Screw.....			
600	4			1812-2477-01	Skruv.....	Cap screw.....			



1

A

B

E

F

D

G

H

C

I



Utgåva Issue 2011-14		Bildnr Picture No 2832		SNOW BLIZZARD DEKALER		SNOW BLIZZARD LABELS		Sida Page 80	
Pos. Fig.	Antal/Quantity				Art nr Part No	Benämning	Description	Sats Kit	Anmärkning Notes
	2830 -32								
X 1	1				1812-2701-02	Dekalsats .....	Label kit .....		Inkl. A-I