

Genuine Spare Parts

www.stiga.com

1171 HST-1381 HST Model Year 2011/12

includes:

18-2851-32 1171HST

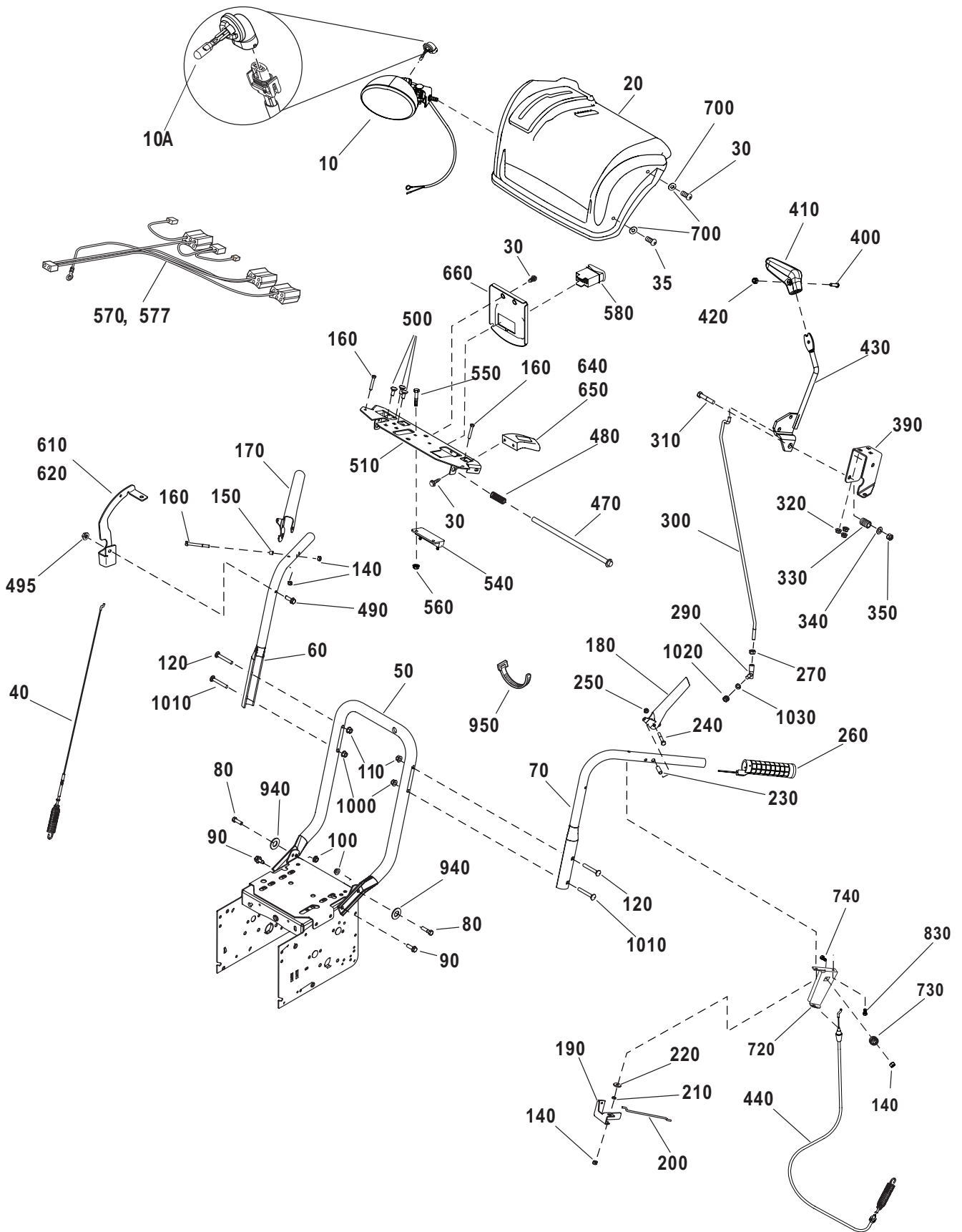
18-2852-32 1381HST

- Use GLOBAL GARDEN PRODUCT Genuine Spare Parts specified in the parts list for repair and/or replacement.
- The contents described in the parts list may change due to improvement.
- The drawings of the spare parts are only indicative and might not represent the part in question exactly.
- The indications "right" - "left" - "front" - "rear" refer to the position of the operator when using the machine.
- When placing orders of parts for repair and/or replacement, make sure that the illustrated parts list is the one applying to the machine's year of manufacture, as shown on the identification plate attached to the machine.

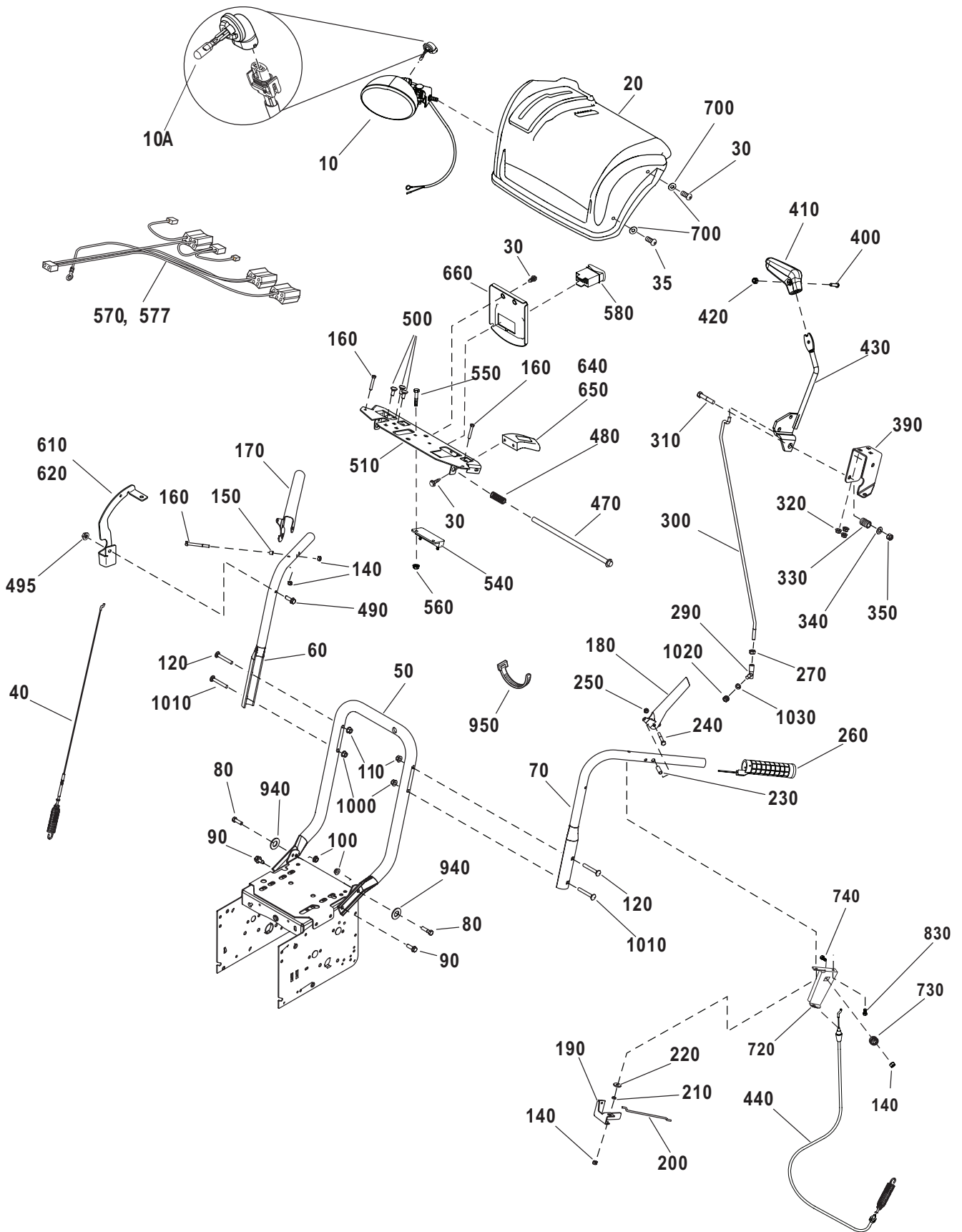
COPYRIGHT by GLOBAL GARDEN PRODUCTS

All rights reserved. No part of this material may be reproduced or transmitted, in any form or by any means, electronic or mechanical, including photocopying, recording or by any information storage and retrieval system, without permission in writing from GLOBAL GARDEN PRODUCTS.

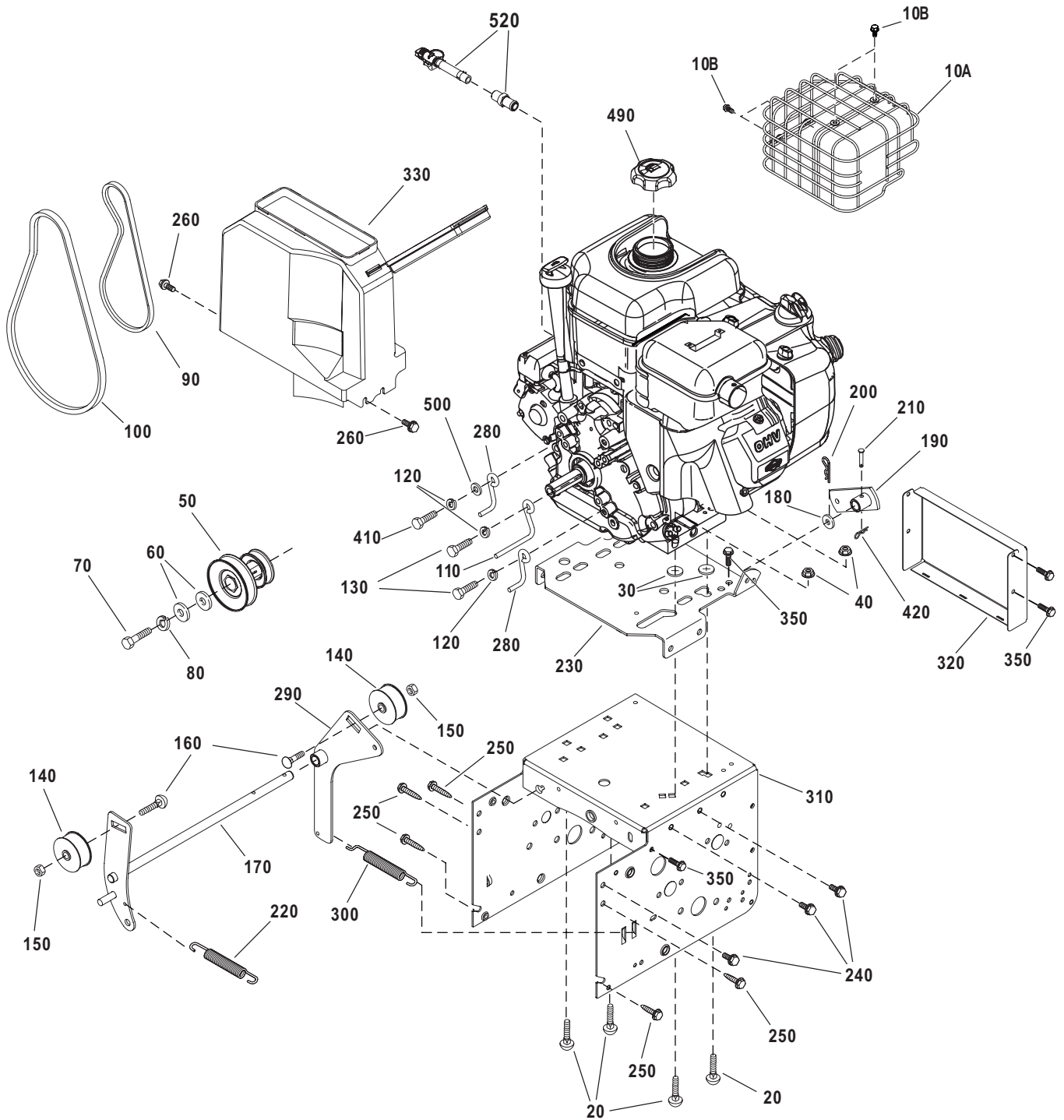




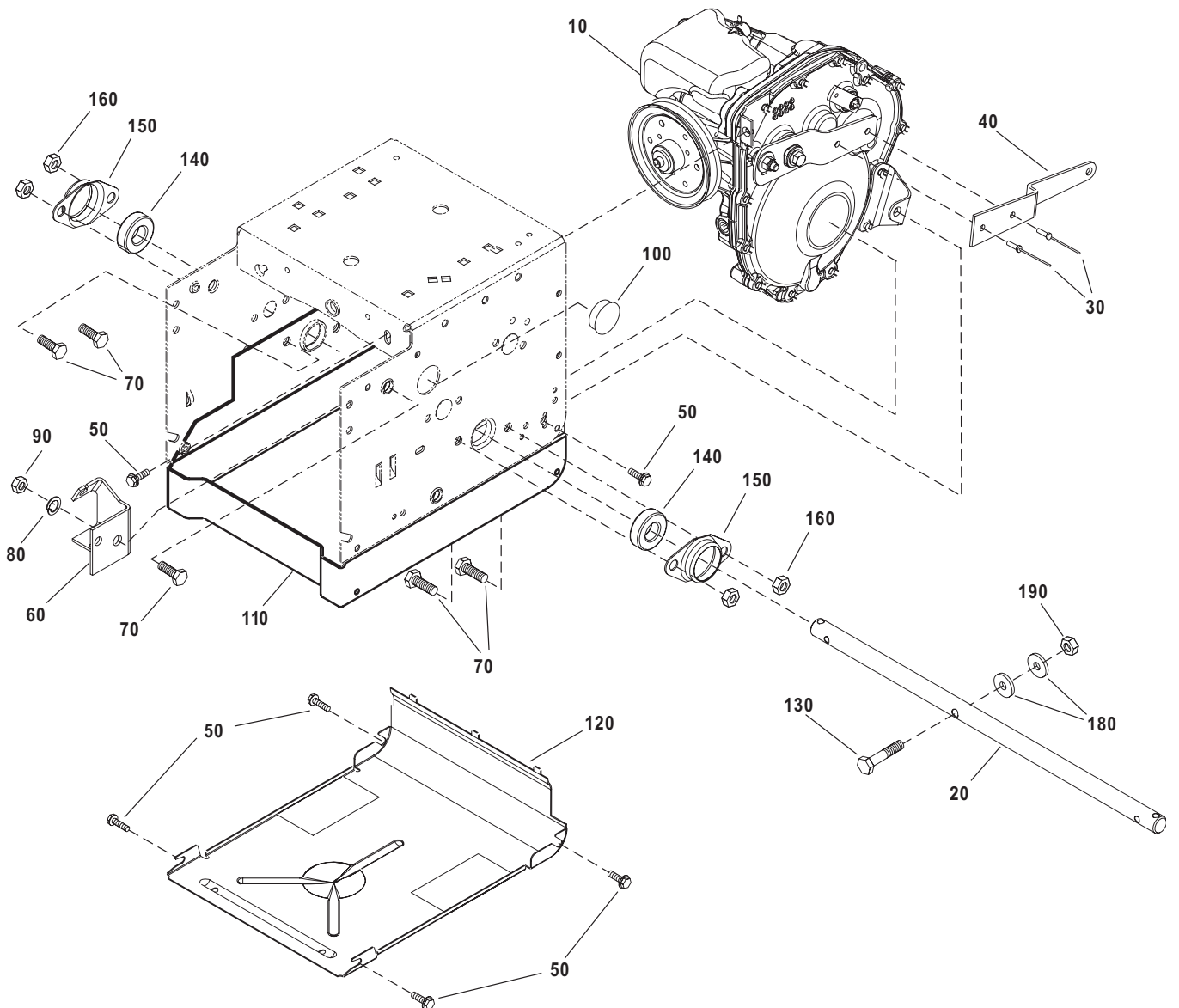
Utgåva Issue 2011-14		Bildnr Picture No 2735B		1171HST- 1381HST STYRE REGLAGE		1171HST- 1381HST HANDLE CONTROLS		Sida Page 102
Pos. Fig.	Antal/Quantity			Art nr Part No	Benämning	Description	Sats Kit	Anmärkning Notes
	2851 -32	2852 -32						
10	1	1		1812-2548-01	Strålkastare kpl.....	Headlight assy.....		12V, 27W
10A	1	1		1812-1909-01	• Halogenlampa.....	• Halogene bulb		
20	1	1		1812-2629-01	Panel	Panel cover		
30	6	6		1812-2644-01	Skruv	Screw		
35	1	1		1812-2265-01	Skruv	Screw		
40	1	1		1812-2183-01	Reglagewire- snöskruv	Auger drive cable		
50	1	1		1812-2419-01	Styre- underdel	Handle- lower		
60	1	1		1812-2317-01	Styre överdel- hö	Handle upper- RH.....		
70	1	1		1812-2316-01	Styre överdel- vä	Handle upper- LH.....		
80	2	2		9988-3625-16	Skruv	Screw		
90	2	2		1812-2141-01	Skruv	Screw		
100	2	2		9727-3641-22	Mutter.....	Nut		
110	2	2		9743-3621-32	Mutter.....	Nut		
120	2	2		1812-2479-01	Vagnsbult	Carriage bolt		
140	5	5		9743-3521-32	Mutter.....	Nut		
150	2	2		1812-2148-01	Distans	Spacer		
160	4	4		9988-3545-12	Skruv	Screw		
170	1	1		1812-2606-01	Koppl.reglage- hö	Clutch lever- RH		
180	1	1		1812-2605-01	Koppl.reglage- vä	Clutch lever- LH.....		
190	1	1		1812-2231-01	Fäste	Bracket.....		
200	1	1		1812-2404-01	Stång	Hold down rod		
210	1	1		1812-2206-01	Distans	Spacer		
220	1	1		9699-0026-02	Planbricka.....	Flat washer.....		
230	2	2		1812-2412-01	Distans	Stepped spacer		
240	2	2		1812-2623-01	Ansatsbult	Shoulder bolt		
250	2	2		1812-2256-01	Mutter.....	Nut		
260	2	2		1812-2549-01	Värmehandtag	Heated hand grip.....		
270	2	2		9794-5131-02	Mutter.....	Nut		
290	1	1		1812-2562-01	Kulled	Ball joint.....		
300	1	1		1812-2311-01	Reglagestång.....	Control rod.....		
310	1	1		9988-3751-12	Skruv	Screw		
320	3	3		9727-3641-22	Mutter.....	Nut		
330	1	1		1812-0304-01	Fjäder.....	Spring		
340	1	1		9699-0029-02	Planbricka.....	Flat washer.....		
350	1	1		9743-3721-32	Mutter.....	Nut		
390	1	1		1812-2417-01	Fäste	Controls brkt		
400	1	1		1812-2481-01	Skruv	Screw		
410	1	1		1812-2379-01	Knopp	Knob		
420	2	2		1812-2256-01	Mutter.....	Nut		
430	1	1		1812-2226-01	Spak- HST.....	Hydro control lever		
440	1	1		1812-2227-01	Reglagewire- HST	Hydro drive cable.....		
X 470	1	1		1812-2718-01	Stång & fjäder	Rod & spring		
480	2	2		1812-2268-01	Tryckfjäder.....	Comp spring		
490	2	2		1812-2250-01	Skruv	Screw		
495	2	2		9743-3521-32	Mutter.....	Nut		
500	3	3		9899-3625-16	Skruv	Screw		
510	1	1		1812-2575-01	Panelfäste	Dash support		
540	1	1		1812-2165-01	Motstånd	Resistor block		
550	1	1		1812-2486-01	Vagnsbult	Carriage bolt		
560	1	1		9795-3531-02	Mutter.....	Nut		
570	1	1		1812-2630-01	Kablage.....	Wiring harness.....		
577	1	1		1812-2631-01	Kablage- handtag	Harness- hand grip.....		
X 580	1	1		1812-2714-01	Brytare.....	Switch		
610	1	1		1812-2621-01	Fäste- hö	Mounting brkt- RH		
620	1	1		1812-2620-01	Fäste- vä	Mounting brkt- LH.....		
640	1	1		1812-2573-01	Brytarfäste- hö	Chute rotation pod- RH		
650	1	1		1812-2574-01	Brytarfäste- vä	Defl. control pod- LH.....		
X 660	1	1		1812-2715-01	Fäste- brytare	Bracket- switch.....		
700	3	3		9699-0026-02	Planbricka.....	Flat washer.....		
720	1	1		1812-2218-01	Fäste	Bracket.....		
730	1	1		1812-1205-01	Spole	Spool		
740	1	1		9899-3532-12	Skruv	Screw		
830	1	1		1812-2166-01	Skruv	Screw		

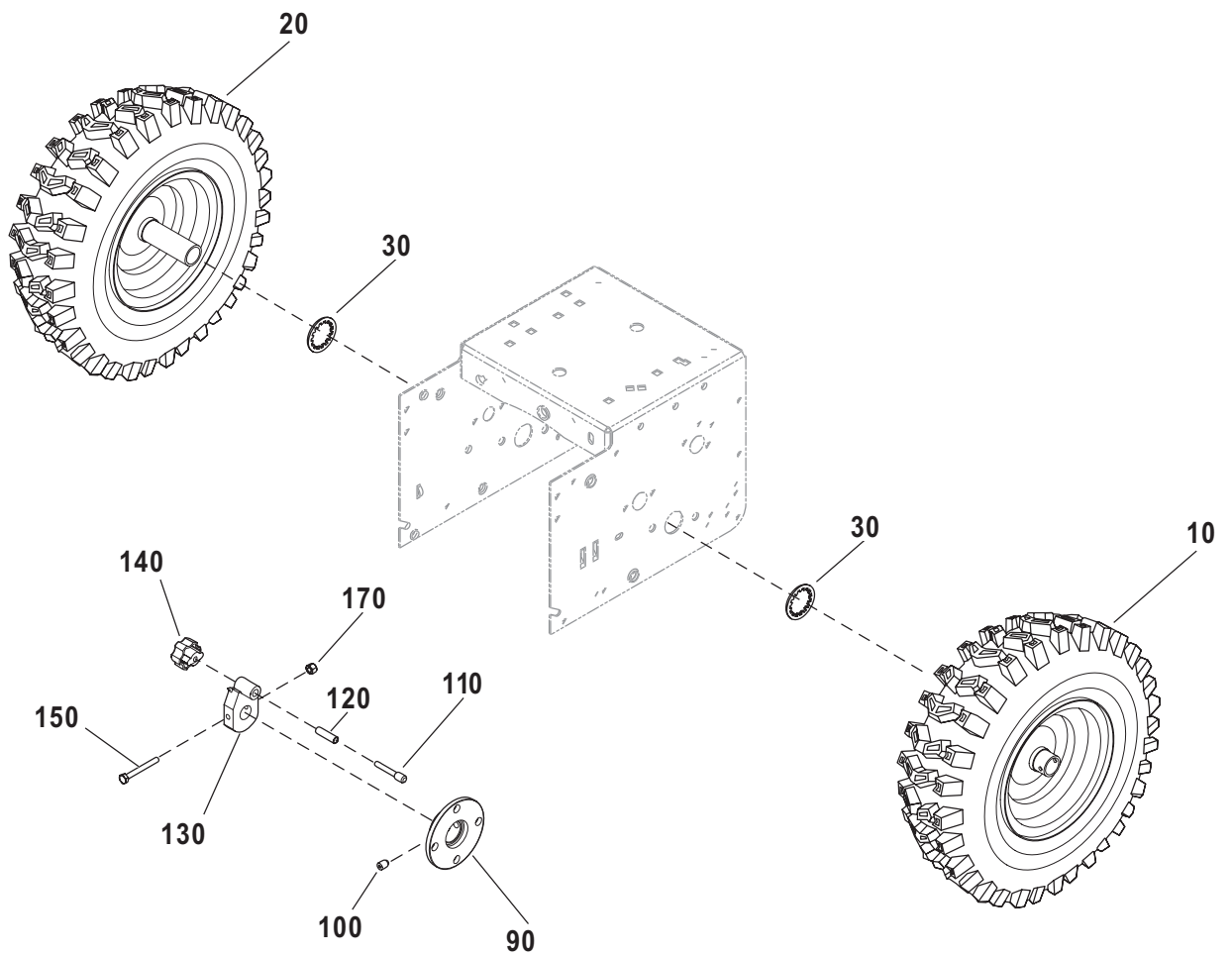


Utgåva Issue 2011-14		Bildnr Picture No 2735B		1171HST- 1381HST STYRE REGLAGE		1171HST- 1381HST HANDLE CONTROLS		Sida Page 104	
Pos. Fig.	Antal/Quantity				Art nr Part No	Benämning	Description	Sats Kit	Anmärkning Notes
	2851 -32	2852 -32							
X 940	2	2			9699-0029-02	Planbricka.....	Flat washer.....		Ej ill/not ill.
950	5	5			1812-2371-01	Buntband.....	Self lock tie.....		
1000	2	2			9743-3621-32	Mutter.....	Nut.....		
1010	2	2			1812-2476-01	Vagnsbult.....	Carriage bolt.....		
1020	1	1			9794-5131-02	Mutter.....	Nut.....		
1030	1	1			9683-0030-02	Låsbricka.....	Lock washer.....		
9999	1	1			8218-2256-20	Bruksanvisning.....	Owner's manual.....		

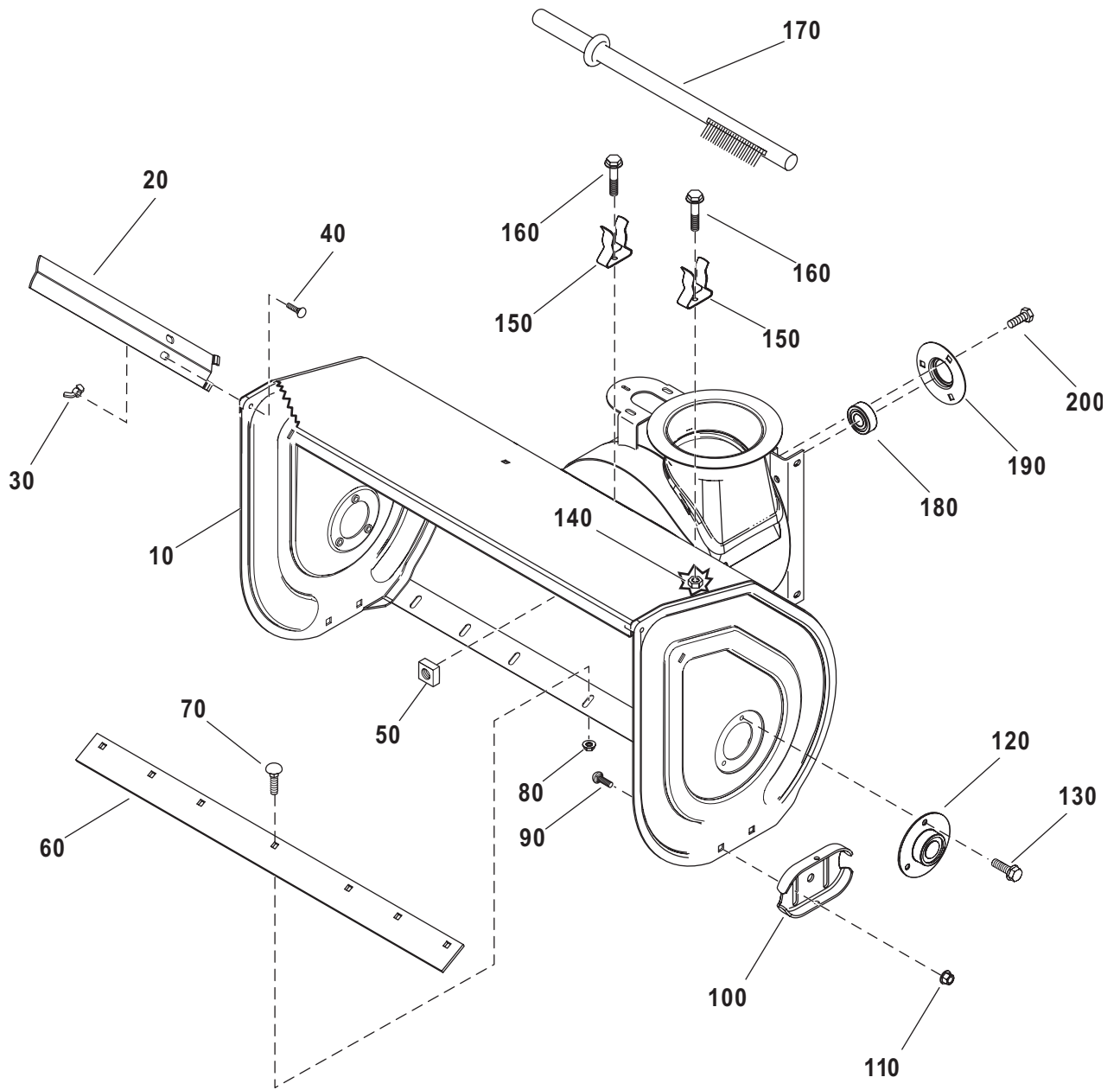


Utgåva Issue 2011-14		Bildnr Picture No 2736B		1171HST- 1381HST RAM MOTOR		1171HST- 1381HST FRAME ENGINE		Sida Page 106	
Pos. Fig.	Antal/Quantity				Art nr Part No	Benämning	Description	Sats Kit	Anmärkning Notes
	2851 -32	2852 -32							
X 10A	1	1			796384	Ljuddämparskydd.....	Muffler guard		B&S- part B&S- part
10B	4	4			699234	Skruv	Screw		
20	4	4			1812- 1678-01	Vagnsbult	Carriage bolt		
30	4	4			1812- 1681-01	Hållare	Retainer		
40	4	4			9743- 3621-32	Mutter.....	Nut		
50	1	1			1812- 1719-01	Motorremskiva	Engine pulley.....		
60	2	2			9699- 0029-02	Planbricka.....	Flat washer.....		
70	1	1			9987- 5232-16	Bult.....	Bolt		
80	1	1			9683- 0035-02	Låsbricka	Lock washer		
90	1	1			1812- 2219-01	Kilrem- drivning.....	Belt- traction drive.....		
100	1	1			1812- 2409-01	Kilrem- snöskruv	Belt- auger.....		
110	1	1			1812- 2443-01	Remstyrning.....	Belt guide		
120	3	3			9683- 0030-02	Låsbricka	Lock washer.....		
130	3	3			9987- 5119-16	Skruv	Screw		
140	2	2			1812- 2077-01	Spännrulle	Tension roller		
150	2	2			9743- 3721-32	Mutter.....	Nut		
160	2	2			9899- 3732-16	Skruv	Screw		
170	1	1			1812- 1747-01	Spännarm.....	Idler		
180	1	1			9699- 0038-02	Planbricka.....	Flat washer.....		
190	1	1			1812- 2308-01	Reglagearm	Control arm		
200	1	1			1812- 2490-01	Låsnål	Hair pin		
210	1	1			1812- 2407-01	Sprint.....	Clevis pin		
220	1	1			1812- 1676-01	Fjäder.....	Tension spring		
230	1	1			1812- 2234-01	Motorplatta.....	Engine mount plate		
240	4	4			1812- 2249-01	Skruv	Screw		
250	6	6			1812- 2141-01	Skruv	Screw		
260	2	2			1812- 1680-01	Skruv	Screw		
280	2	2			1812- 2203-01	Remstyrning.....	Belt stop.....		
290	1	1			1812- 1810-01	Spännarm.....	Idler bracket.....		
300	1	1			1812- 1762-01	Fjäder.....	Clutch spring.....		
310	1	1			1812- 2454-01	Motorchassi.....	Frame box		
320	1	1			1812- 2455-01	Bakre plåt	Back panel.....		
330	1	1			1812- 2184-01	Remskydd	Belt cover		
350	8	8			1812- 2250-01	Skruv	Screw		
410	1	1			9987- 5125-16	Skruv	Screw		
420	1	1			1812- 2281-01	Låsnål	Cotter pin		
490	1	1			1812- 2362-01	Tanklock	Gas cap		
500	1	1			1812- 2657-01	Bricka	Flat washer.....		
520	1	1			1812- 2496-01	Slang- oljeavtappning	Oil drain hose assy.....		

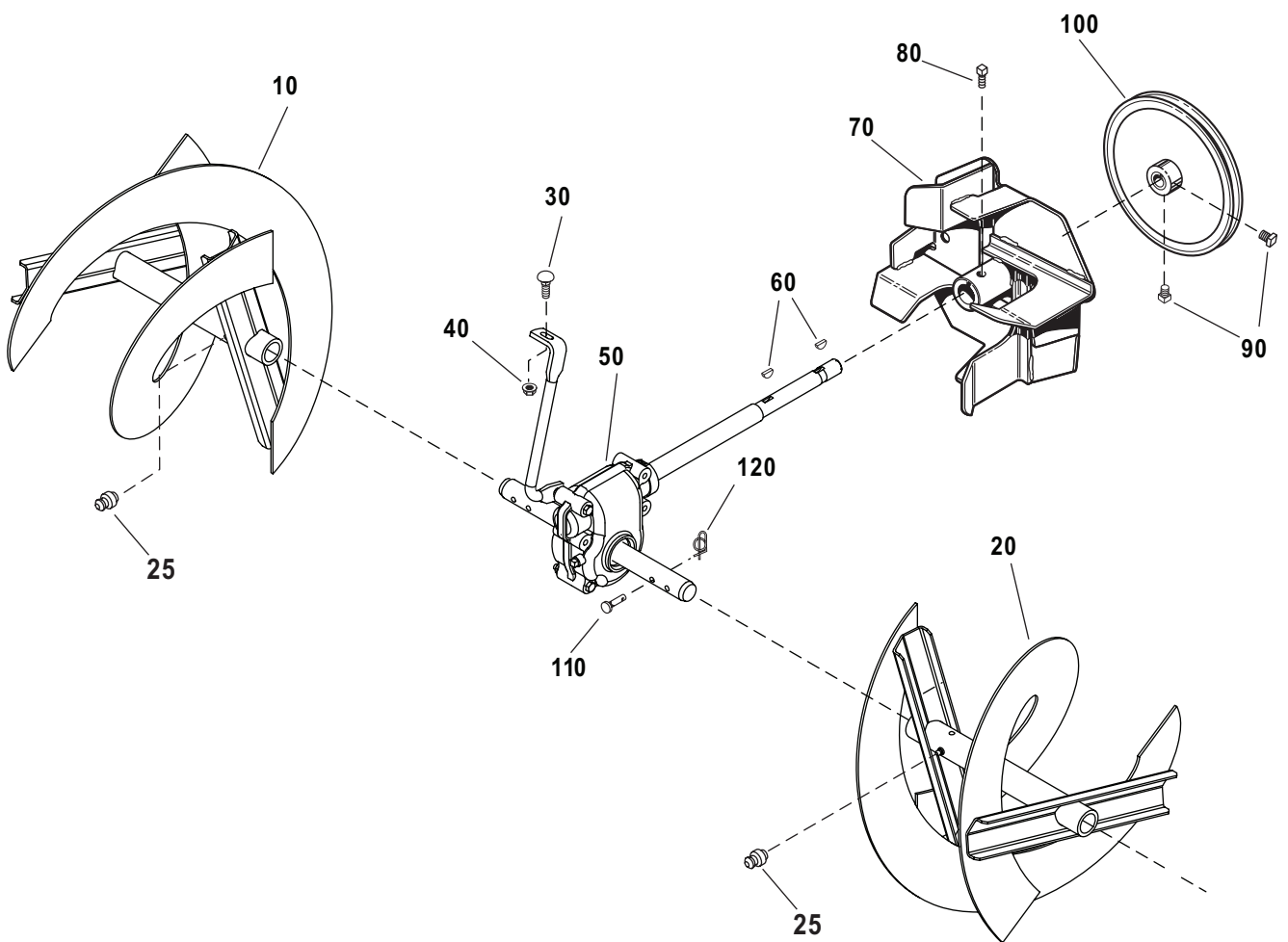




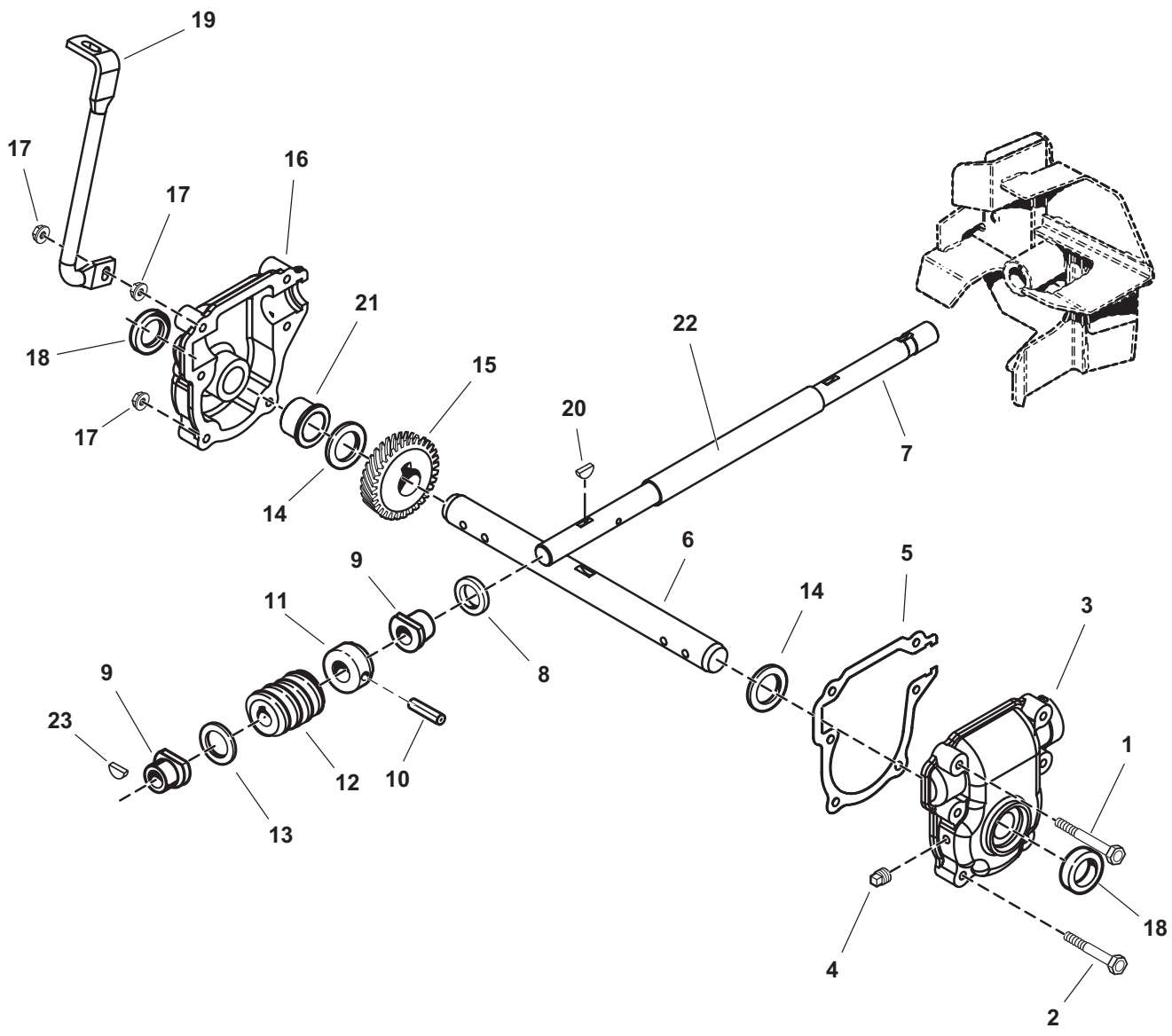
Utgåva Issue		Bildnr Picture No		1171HST- 1381HST HJUL		1171HST- 1381HST WHEELS		Sida Page	
2011- 14		2738B						110	
Pos. Fig.	Antal/Quantity			Art nr Part No	Benämning	Description	Sats Kit	Anmärkning Notes	
	2851 -32	2852 -32							
10	1	1		1812-2201-01	Hjul kpl- vä.....	Wheel assy- LH		16 x 6.50- 8	
20	1	1		1812-2202-01	Hjul kpl- hö	Wheel assy- RH		16 x 6.50- 8	
30	2	2		1812-2139-01	Låsring	Retaining ring			
90	2	2		1812-1606-01	Hjultallrik	Wheel disc			
100	4	4		1812-1827-01	Skruv	Screw			
110	2	2		1812-1959-01	• Låssprint.....	• Lock pin			
120	2	2		1812-1589-01	• Fjäder.....	• Compression spring.....			
130	2	2		1812-2121-01	• Nav	• Wheel lock hub			
140	2	2		1812-1958-01	• Knopp	• Knob			
150	2	2		1812-1756-01	Skruv.....	Screw.....			
170	2	2		9743-3521-32	Mutter.....	Nut.....			
999	2	2		1812-1982-01	Hjullåsnav kpl	Wheel lock hub kit.....		Inkl. 110,120,130,140	



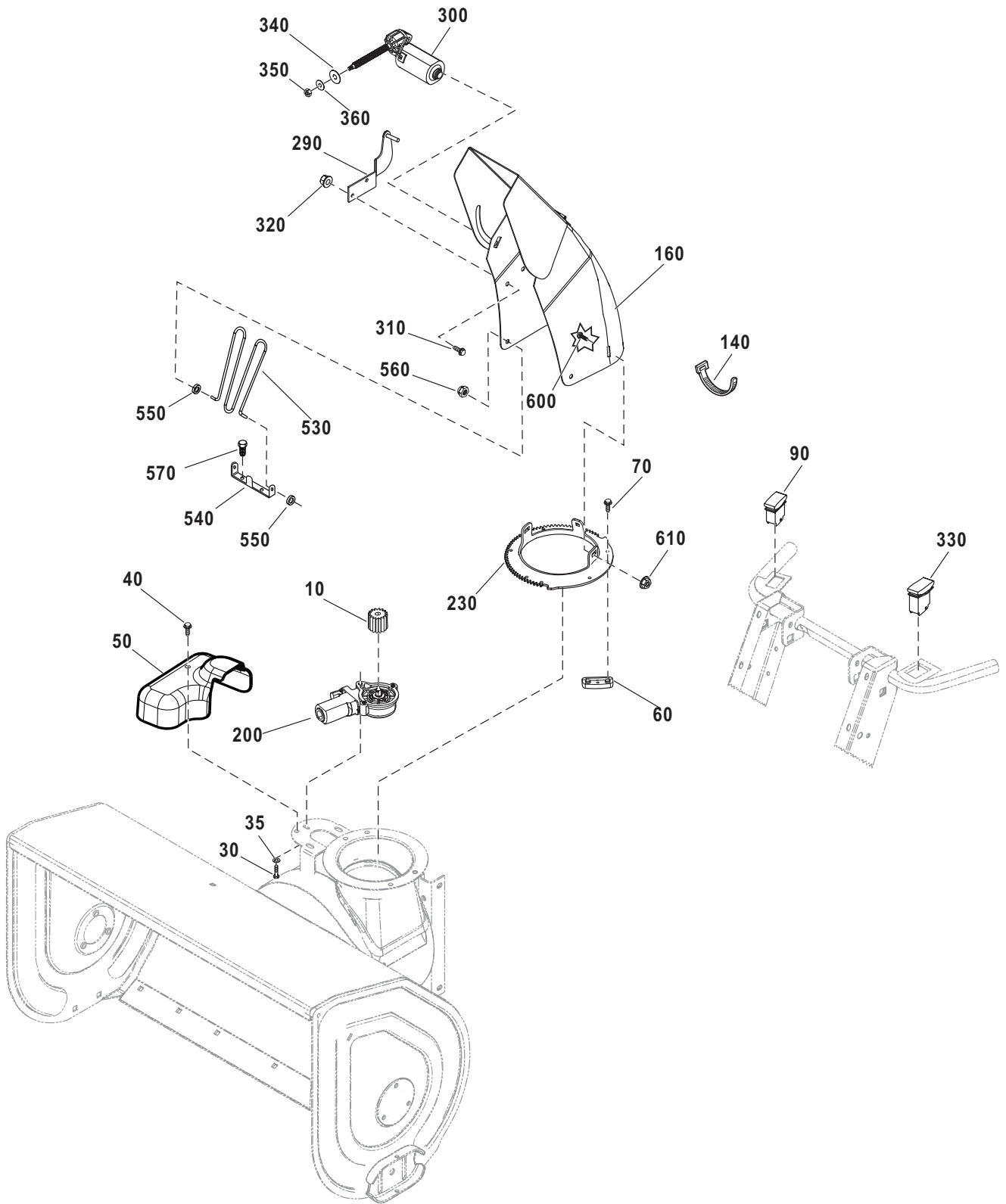
Utgåva Issue		Bildnr Picture No		1171HST- 1381HST INMATNINGSHUS		1171HST- 1381HST AUGER HOUSING		Sida Page	
2011- 14		2739						112	
Pos. Fig.	Antal/Quantity			Art nr Part No	Benämning	Description	Sats Kit	Anmärkning Notes	
	2851 -32	2852 -32							
X 10	1			1812-2722-01	Inmatningshus.....	Auger housing.....		28" (71 cm) 32" (81 cm)	
X 10		1		1812-2723-01	Inmatningshus.....	Auger housing.....			
20	2	2		1812-2378-01	Drivskär	Drift cutter.....			
30	2	2		1812-2359-01	Vingmutter.....	Wing nut			
40	2	2		9899-3622-16	Skruv	Screw			
50	3	3		9743-3621-32	Mutter.....	Nut			
60	1			1812-2153-01	Skrapskär	Scraper blade			
60		1		1812-2154-01	Skrapskär	Scraper blade			
70	5	5		1812-2264-01	Vagnsbult	Carriage bolt			
80	5	5		9727-3641-22	Mutter.....	Nut			
90	4	4		9899-3725-16	Skruv	Screw			
100	2	2		1812-2167-01	Släpsko.....	Skid shoe			
110	4	4		1132-0695-01	Mutter.....	Nut			
120	2	2		1812-2318-01	Kullager	Ball bearing			
130	6	6		1812-2141-01	Skruv	Screw			
140	2	2		1812-1912-01	Mutter.....	Nut			
150	2	2		1812-2413-01	Klämma	Spring clamp.....			
160	2	2		1812-2480-01	Skruv	Screw			
170	1	1		1812-2400-01	Borste.....	Cleanout brush.....			
180	1	1		1812-2346-01	Lager	Greased bearing.....			
190	1	1		1812-2142-01	Lagerhållare.....	Bearing retainer.....			
200	3	3		9899-3625-16	Skruv	Screw			



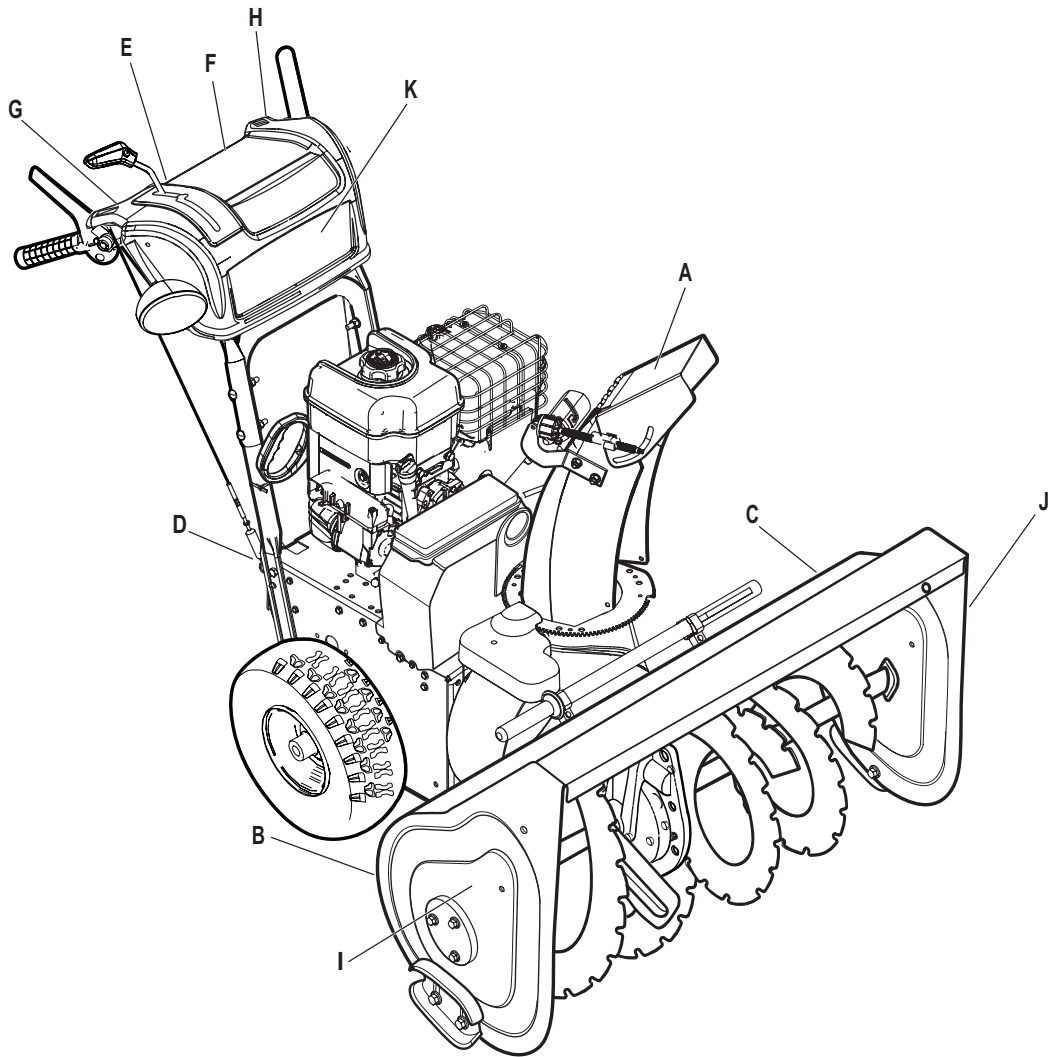
Utgåva Issue 2011-14		Bildnr Picture No 2740A		1171HST- 1381HST SNÖSKRUV		1171HST- 1381HST AUGER DRIVE		Sida Page 114	
Pos. Fig.	Antal/Quantity			Art nr Part No	Benämning	Description	Sats Kit	Anmärkning Notes	
	2851 -32	2852 -32							
10	1			1812-2322-01	Snöskruv- hö	Auger- RH			
10		1		1812-2324-01	Snöskruv- hö	Auger- RH			
20	1			1812-2321-01	Snöskruv- vä.....	Auger- LH			
20		1		1812-2323-01	Snöskruv- vä.....	Auger- LH			
25	2	2		1812-2646-01	• Smörjnippel	• Lube fitting			
30	1	1		9899-3625-16	Skruv	Screw			
40	1	1		9727-3641-22	Mutter	Nut			
50	1	1		1812-2175-01	Snäckväxel kpl	Gearbox assy			
60	2	2		1812-2274-01	Kil	Key			
70	1	1		1812-2137-01	Fläkt.....	Impeller.....			
80	1	1		1812-2262-01	Skruv	Screw			
X 90	2	2		1812-2764-01	Skruv	Screw			
100	1	1		1812-2174-01	Remskiva.....	Pulley.....			
110	1	1		1812-9029-01	Brytbultsats	Shear bolt kit.....		Sats 2 st/kit of 2	
X 120	2	2		1812-2563-01	• Låsnål	• Cotter pin			



Utgåva Issue		Bildnr Picture No		1171HST- 1381HST SNÄCKVÄXEL		1171HST- 1381HST GEAR CASE		Sida Page	
2011- 14		2186						116	
Pos. Fig.	Antal/Quantity			Art nr Part No	Benämning	Description	Sats Kit	Anmärkning Notes	
	2851 -32	2852 -32							
1	1	1		9988-3564-12	Skruv	Screw		L = 64 mm L = 57 mm	
2	5	5		9988-3557-12	Skruv	Screw			
3	1	1		1812-2132-01	Växelhus- vä	Gear case- LH			
4	1	1		1812-2146-01	Plugg	Plug			
5	1	1		1812-2130-01	Packning	Gasket			
6	1	1		1812-2181-01	Axel	Auger shaft			
7	1	1		1812-2173-01	Axel	Worm shaft			
8	1	1		1812-2128-01	Tätningring	Oil seal			
9	2	2		1812-2136-01	Flänsbussning	Flange bushing			
10	1	1		1812-2277-01	Stift	Drive lock pin			
11	1	1		1812-2131-01	Hylsa	Thrust collar			
12	1	1		1812-2135-01	Snäckskruv	Worm			
13	1	1		1812-2271-01	Tryckbricka	Thrust washer			
14	2	2		1812-2270-01	Tryckbricka	Thrust washer			
15	1	1		1812-2134-01	Snäckdrev	Worm gear			
16	1	1		1812-2133-01	Växelhus- hö	Gear case- RH			
17	7	7		9743-3521-32	Mutter	Nut			
18	2	2		1812-2269-01	Tätningring	Seal			
19	1	1		1812-2172-01	Stag	Bracket			
20	1	1		1812-2274-01	Kil	Key			
21	2	2		1812-2198-01	Bussning	Bushing			
22	1	1		1812-2129-01	Rör	Tube			
23	1	1		1812-2276-01	Kil	Key			



Utgåva Issue 2011-14		Bildnr Picture No 2741A		1171HST- 1381HST UTKAST		1171HST- 1381HST DISCHARGE CHUTE		Sida Page 118	
Pos. Fig.	Antal/Quantity			Art nr Part No	Benämning	Description	Sats Kit	Anmärkning Notes	
	2851 -32	2852 -32							
X 10	1	1		1812-2375-01	Drev.....	Pinion.....			
30	3	3		1812-2741-01	Skruv.....	Screw.....			
35	3	3		9699-0099-02	Bricka.....	Washer.....			
40	1	1		1812-2474-01	Skruv.....	Screw.....			
50	1	1		1812-2415-01	Lock.....	Cover.....			
60	3	3		1812-2280-01	Hållare.....	Retainer.....			
70	6	6		1812-2257-01	Skruv.....	Screw.....			
90	1	1		1812-2533-01	Strömbrytare.....	Switch- chute rotate.....			
140	1	1		1812-2371-01	Buntband.....	Self lock tie.....			
160	1	1		1812-2427-01	Utkast.....	Chute.....			
X 200	1	1		1812-2735-01	Motor-rotation.....	Motor- spout rotator.....			
230	1	1		1812-2422-01	Ringdrev.....	Chute gear.....			
290	1	1		1812-2435-01	Stag.....	Bracket.....			
300	1	1		1812-2421-01	Motor.....	Motor, chute deflect.....			
310	2	2		1812-2265-01	Skruv.....	Screw.....			
320	2	2		9743-3521-32	Mutter.....	Nut.....			
X 330	1	1		1812-2730-01	Brytare.....	Switch, defl.control.....			
340	1	1		1812-2431-01	Gummibricka.....	Rubber washer.....			
350	1	1		1812-2432-01	Mutter (vä- gängad).....	Nut (left hand).....			
360	1	1		1812-2484-01	Bricka.....	Washer.....			
530	1	1		1812-2381-01	Utkastskydd.....	Chute guard.....			
540	1	1		1812-2416-01	Fäste.....	Chute guard brkt.....			
550	2	2		1812-2426-01	Hylsa.....	Grommet.....			
560	2	2		1812-2478-01	Snabbmutter.....	Push nut.....			
570	2	2		1812-2473-01	Skruv.....	Screw.....			
600	2	2		1812-2254-01	Vagnsbult.....	Carriage bolt.....			
610	2	2		9795-3531-02	Mutter.....	Nut.....			



1

C: Headset icon.
 A: Warning icon for fire and noise.
 B: Safety icons for operator protection and manual use.
 G: Blade spindle lock icon (1172769).
 H: Blade spindle lock icon (1172770).
 I, J: Blade guard parts (1171 HST).
 K: Blade spindle lock pin (1171 HST).
 E: Blade spindle lock pin (1172769).
 F: Blade spindle lock pin (1172770).

Utgåva Issue 2011-14		Bildnr Picture No 2787A		1171HST- 1381HST DEKALER		1171HST- 1381HST LABELS		Sida Page 120	
Pos. Fig.	Antal/Quantity				Art nr Part No	Benämning	Description	Sats Kit	Anmärkning Notes
	2851 -32	2852 -32							
1 1	1	1			1812-2704-01 1812-2705-01	Dekalsats Dekalsats	Label kit Label kit		Inkl. A-K Inkl. A-K