

# Genuine Spare Parts

www.stiga.com

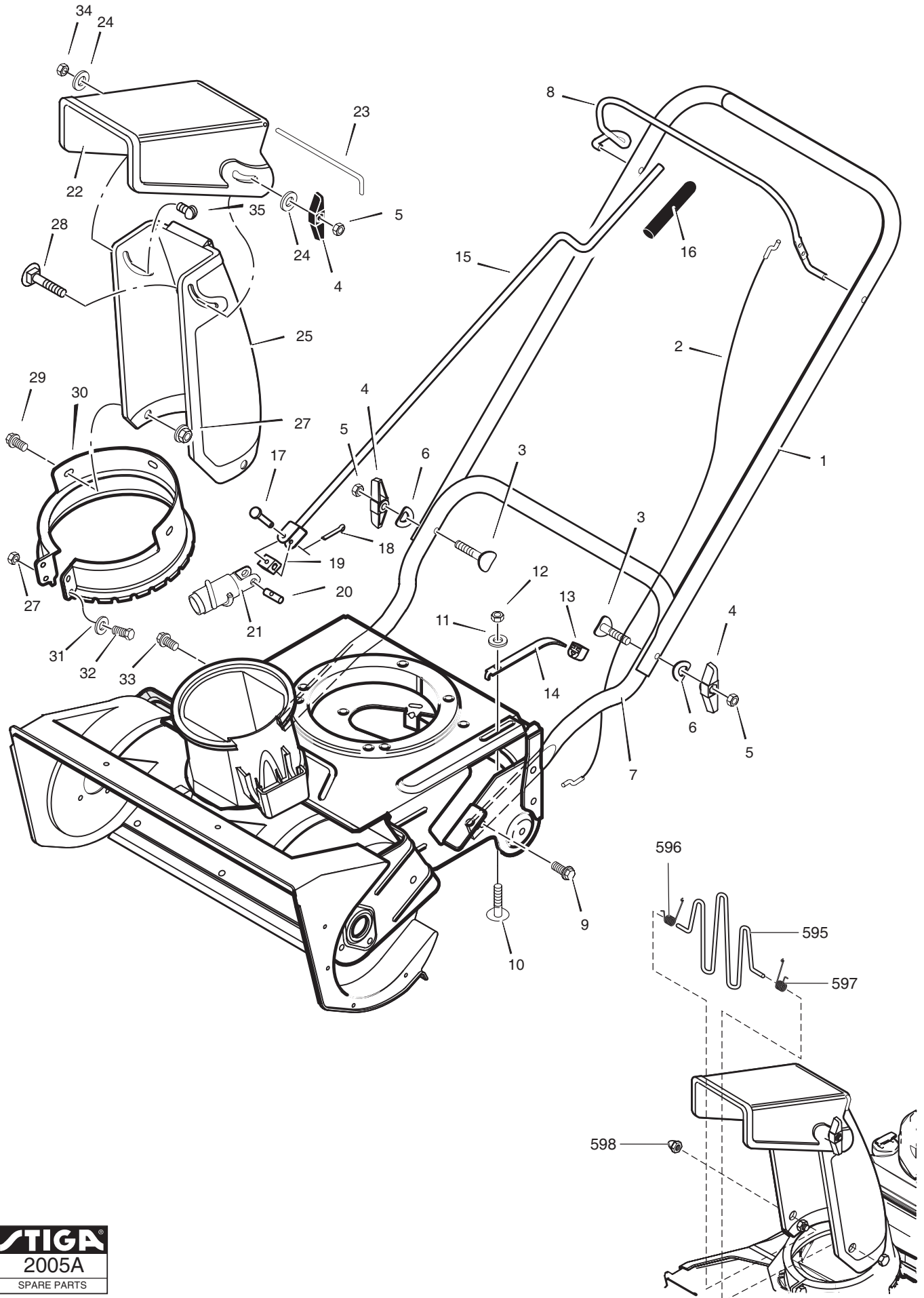
## SNOW REX Model Year 2010/2011

- Use GLOBAL GARDEN PRODUCT Genuine Spare Parts specified in the parts list for repair and/or replacement.
- The contents described in the parts list may change due to improvement.
- The drawings of the spare parts are only indicative and might not represent the part in question exactly.
- The indications "right" - "left" - "front" - "rear" refer to the position of the operator when using the machine.
- When placing orders of parts for repair and/or replacement, make sure that the illustrated parts list is the one applying to the machine's year of manufacture, as shown on the identification plate attached to the machine.

COPYRIGHT by GLOBAL GARDEN PRODUCTS

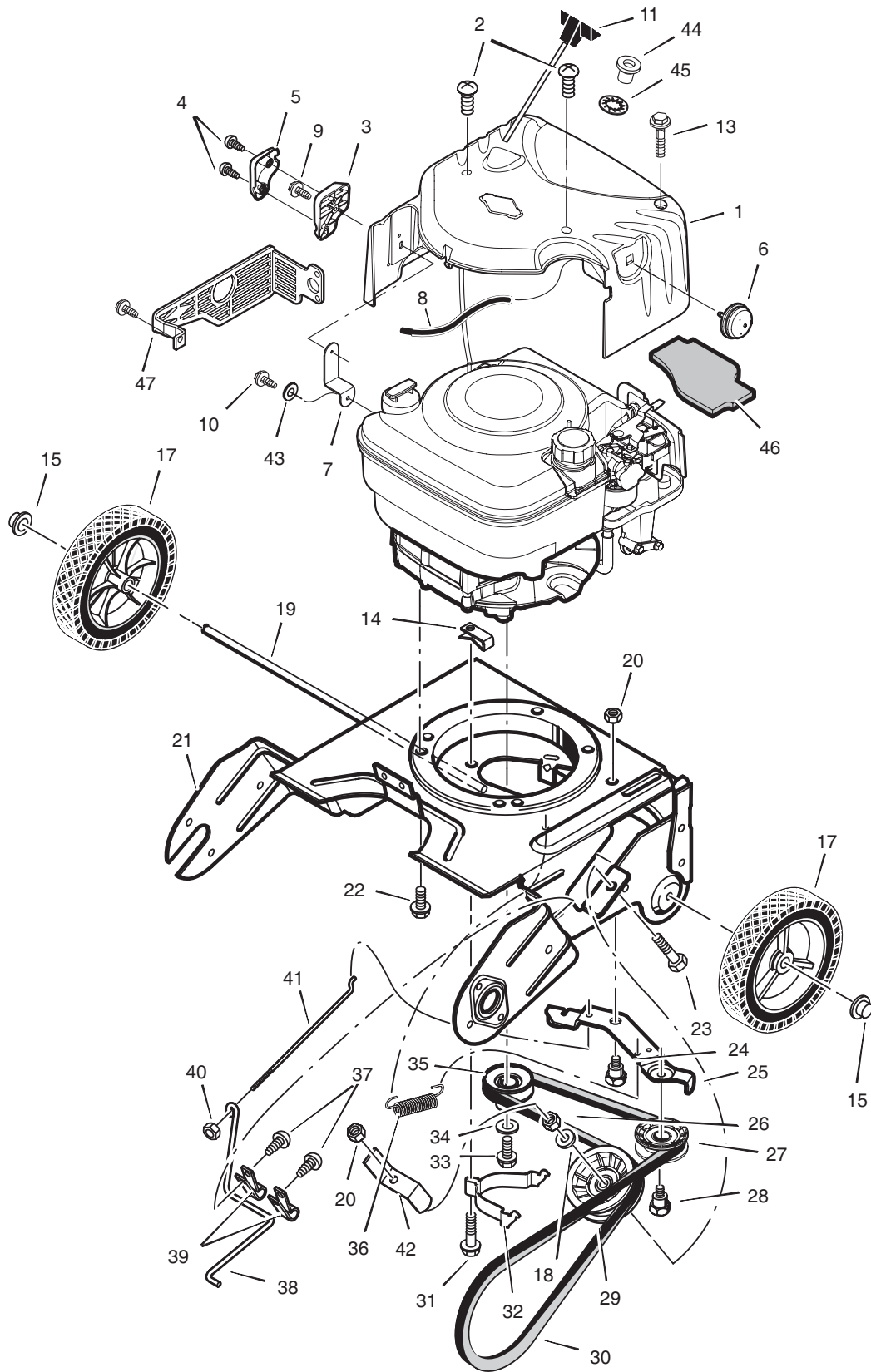
All rights reserved. No part of this material may be reproduced or transmitted, in any form or by any means, electronic or mechanical, including photocopying, recording or by any information storage and retrieval system, without permission in writing from GLOBAL GARDEN PRODUCTS.



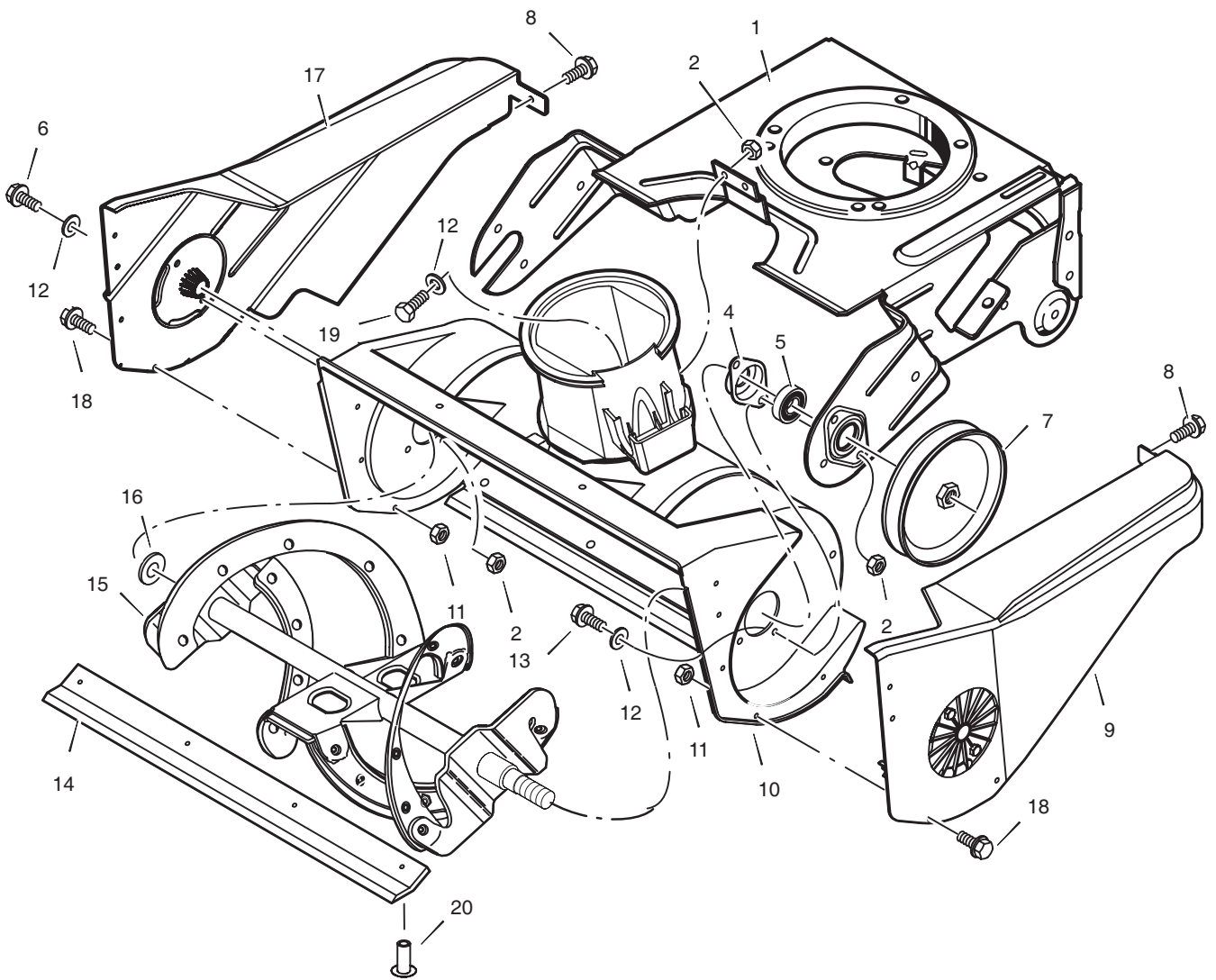


Utgåva Issue		Bildnr Picture No		SNOW REX STYRE UTKAST		SNOW REX HANDLE DISCHARGE CHUTE		Sida Page	
2010-14		2005A						8	
Pos. Fig.	Antal/Quantity				Art nr Part No	Benämning	Description	Sats Kit	Anmärkning Notes
	2818								
	-31								
1	1				1812-2023-01 Styre-överdel .....	Handle- upper.....			
2	1				1812-2029-01 Reglagewire- snöskruv .....	Control cable- auger .....			
3	2				1133-1017-01 Skruv .....	Bolt .....			
4	3				1133-0932-01 Låsraff .....	T- knob .....			
5	3				9795-3631-02 Mutter .....	Nut .....			
6	2				1133-0933-01 Kupad bricka.....	Formed washer .....			
7	1				1812-2021-01 Styre- underdel .....	Handle- lower .....			
8	1				1812-2022-01 Reglagebygel .....	Auger drive lever .....			
9	4				1812-1833-01 Skruv .....	Screw .....			
10	1				9899-3516-16 Skruv .....	Screw .....			
11	1				9699-0056-02 Planbricka.....	Flat washer.....			
12	1				9743-3521-32 Mutter .....	Nut .....			
13	1				1812-2034-01 Bussning .....	Tensioner bushing.....			
14	1				1812-2035-01 Fäste .....	Tensioner bracket.....			
15	1				1812-2040-01 Inställningsvev.....	Crank rod .....			
16	1				1812-2039-01 Handtag .....	Grip .....			
17	1				1812-1318-01 Sprint.....	Clevis pin .....			
18	1				9599-0033-00 Saxsprint .....	Split pin.....			
19	1				1812-1317-01 Ledknut .....	Universal pivot block.....			
20	1				1812-1316-01 Axel .....	Universal pin .....			
21	1				1812-1335-01 Snäckskruv.....	Chute rotate worm .....			
22	1				1812-2015-01 Utkastskärm .....	Deflector .....			
23	1				1812-2013-01 Ledaxel .....	Pivot pin.....			
24	2				9699-0029-02 Planbricka.....	Flat washer.....			
25	1				1812-2016-01 Utkaströr .....	Discharge chute .....			
27	4				1812-1758-01 Mutter .....	Nut .....			
28	1				9899-3632-12 Skruv .....	Screw .....			
29	2				9899-3516-16 Skruv .....	Screw .....			
30	1				1812-2048-01 Utkastring .....	Chute ring .....			
31	2				9699-0028-02 Planbricka.....	Flat washer.....			
32	2				9988-3519-16 Skruv .....	Screw .....			
33	1				1812-1833-01 Skruv .....	Screw .....			
34	1				1812-0811-01 Låsmutter .....	Locking nut.....			
35	1				1133-1023-01 Skruv .....	Screw .....			
595	1				1133-0970-01 Utkastskydd.....	Wire chute guide.....			
596	1				1133-0944-01 Fjäder.....	Torsion chute spring .....			
597	1				1133-0945-01 Fjäder.....	Torsion chute spring .....			
598	2				1133-0937-01 Hattlåsning .....	Acorn nut .....			
999	1				8218-2219-01 Bruksanvisning .....	Owner's manual .....			Ej ill/not ill.

X



Utgåva Issue		Bildnr Picture No		SNOW REX TRANSMISSION		SNOW REX TRANSMISSION		Sida Page	
2010-14		2006A						10	
Pos. Fig.	Antal/Quantity				Art nr Part No	Benämning	Description	Sats Kit	Anmärkning Notes
	2818 -31								
1	1			1812-2044-01	Kåpa- övre .....	Top cover .....			
2	2			1812-2010-01	Skruv .....	Screw .....			
3	1			1812-2046-01	Fäste .....	Chute rod base .....			
4	2			1812-2009-01	Skruv .....	Screw .....			
5	1			1812-2047-01	Lock .....	Chute rod cover .....			
6	1			1812-2295-01	Primernippel .....	Primer bulb .....			
7	1			1812-2045-01	Fäste .....	Chute bracket .....			
8	1			1812-2296-01	Primerslang .....	Primer hose .....			
9	1			1812-2042-01	Skruv .....	Screw .....			
10	1			1812-2017-01	Skruv .....	Screw .....			
11	1			1812-1995-01	Handtag .....	Grip .....			
13	1			1812-2006-01	Bult .....	Bolt .....			
14	1			1133-1026-01	Snabbmutter .....	Speed nut .....			
15	2			1812-2019-01	Låsring .....	Push cap nut .....			
17	2			1812-1455-01	Hjul .....	Wheel .....			
18	1			9699-0035-02	Planbricka .....	Flat washer .....			
19	1			1812-2033-01	Hjulaxel .....	Wheel axle .....			
20	2			9795-3731-02	Mutter .....	Nut .....			
21	1			1812-2054-01	Chassi- gul .....	Motor box frame- yell. ....			
22	4			9988-3725-16	Skruv .....	Screw .....			
23	1			9988-3751-12	Skruv .....	Screw .....			
24	1			1812-2285-01	Ansatsbult .....	Shoulder bolt .....			
25	1			1812-2024-01	Spännarm .....	Idler arm .....			
26	1			9795-3731-02	Mutter .....	Nut .....			
27	1			1812-2027-01	Spännrulle .....	Tension roller .....			
28	1			1812-2028-01	Ansatsbult .....	Shoulder bolt .....			
29	1			1812-2026-01	Spännrulle .....	Flat tension roller .....			
30	1			1812-2012-01	Kilrem .....	Belt .....			
31	1			1812-2014-01	Skruv .....	Screw .....			
32	1			1812-2030-01	Remstyrning .....	Belt guide .....			
33	1			9987-5125-16	Skruv .....	Screw .....			
34	1			9683-0030-02	Låsbricka .....	Lock washer .....			
35	1			1812-2025-01	Motorremskiva .....	Engine pulley .....			
36	1			1812-2007-01	Fjäder .....	Spring .....			
37	2			1812-1768-01	Skruv .....	Screw .....			
38	1			1812-2038-01	Bromsarm .....	Brake arm .....			
39	2			1812-2036-01	Klämma .....	Clamp .....			
40	1			1812-0630-01	Mutter .....	Nut .....			
41	1			1812-2037-01	Justerstång .....	Adjustment rod .....			
42	1			1812-2041-01	Remstyrning .....	Belt guide .....			
43	1			1812-2008-01	Låsbricka .....	Lock washer .....			
44	1			1812-2050-01	Linhylsa .....	Rope guide .....			
45	1			1812-2011-01	Bricka .....	Washer .....			
46	1			1812-2051-01	Tätning .....	Foam seal .....			
47	1			1812-2056-01	Ljuddämparskydd .....	Muffler guard .....			



Utgåva Issue		Bildnr Picture No		SNOW REX SNÖSKRUV		SNOW REX AUGER		Sida Page	
2010-14		2007B						12	
Pos. Fig.	Antal/Quantity				Art nr Part No	Benämning	Description	Sats Kit	Anmärkning Notes
	2818 -31								
1	1				1812-2054-01	Chassi- gul.....	Motor box frame- yell.....		
2	5				1812-1758-01	Mutter.....	Nut.....		
4	2				1812-1925-01	Lagerhållare.....	Bearing retainer.....		
5	2				1812-1383-01	Kullager.....	Ball bearing.....		
6	1				9988-3519-16	Skruv.....	Screw.....		
7	1				1812-1400-01	Remskiva.....	Pulley.....		
8	2				1812-1768-01	Skruv.....	Screw.....		
9	1				1812-2031-01	Remskydd- vä.....	Belt cover- LH.....		
10	1				1812-2052-01	Snöskruvhus.....	Auger housing.....		
11	8				1812-0630-01	Mutter.....	Nut.....		
12	4				9699-0028-02	Planbricka.....	Flat washer.....		
13	4				9988-3516-16	Skruv.....	Screw.....		
14	1				1812-1481-01	Skrapskär.....	Scraper blade.....		
15	1				1812-1488-01	Snöskruv kpl.....	Auger assy.....		
15A	4				1133-0964-01	• Snöskruvskär.....	• Auger blade.....		
15B	20				1133-0940-01	• Nit.....	• Rivet.....		
15C	2				1133-0960-01	• Centrumskär.....	• Centre blade.....		
16	1				1812-1238-01	Bricka.....	Washer.....		
17	1				1812-2032-01	Skydd- hö.....	Cover- RH.....		
18	8				1812-0959-01	Bult.....	Bolt.....		
19	1				9988-3519-16	Skruv.....	Screw.....		
20	4				1133-1022-01	Nit.....	Rivet.....		