

Genuine Spare Parts

www.stiga.com

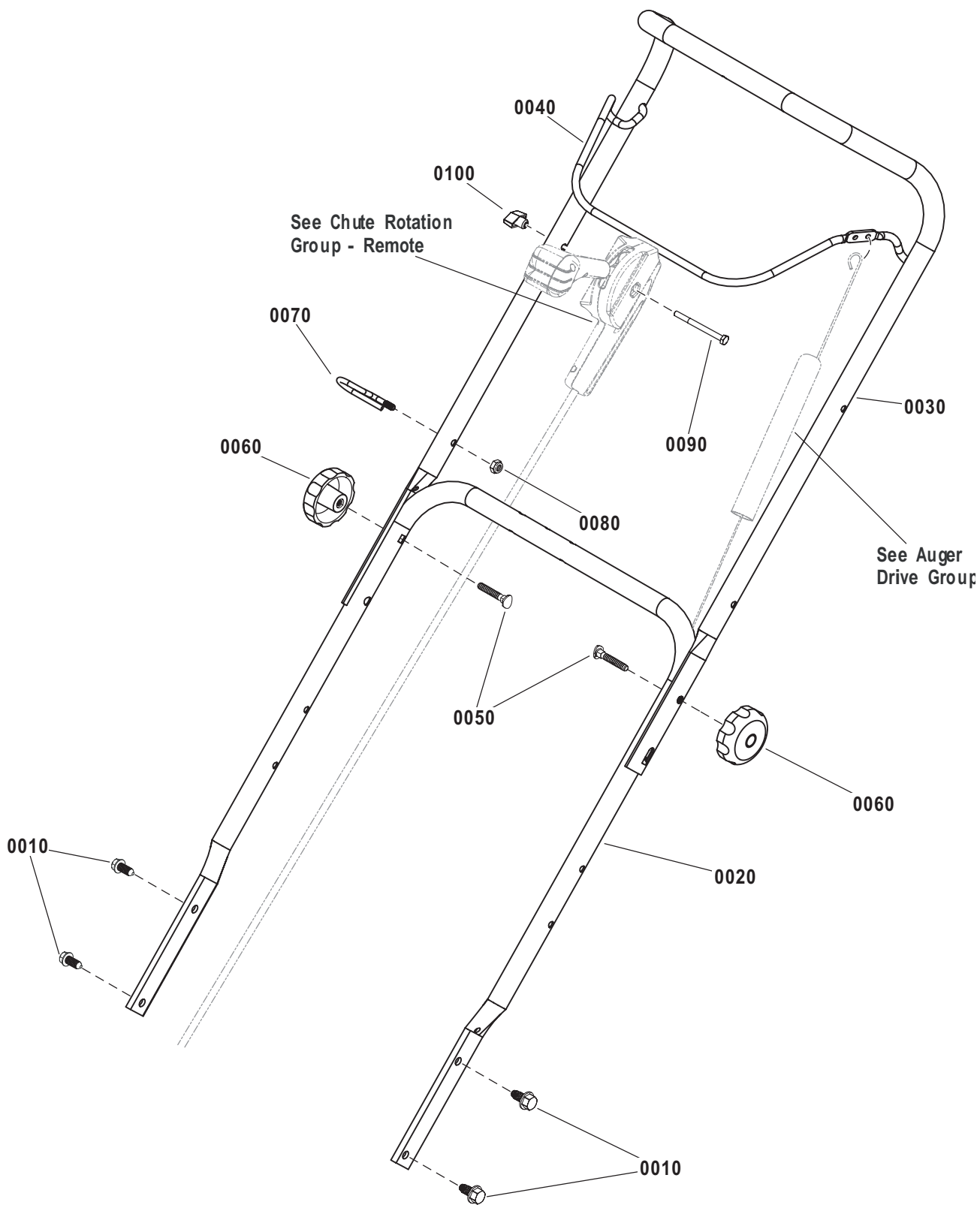
SNOW PRISMA Model Year 2010/2011

- Use GLOBAL GARDEN PRODUCT Genuine Spare Parts specified in the parts list for repair and/or replacement.
- The contents described in the parts list may change due to improvement.
- The drawings of the spare parts are only indicative and might not represent the part in question exactly.
- The indications "right" - "left" - "front" - "rear" refer to the position of the operator when using the machine.
- When placing orders of parts for repair and/or replacement, make sure that the illustrated parts list is the one applying to the machine's year of manufacture, as shown on the identification plate attached to the machine.

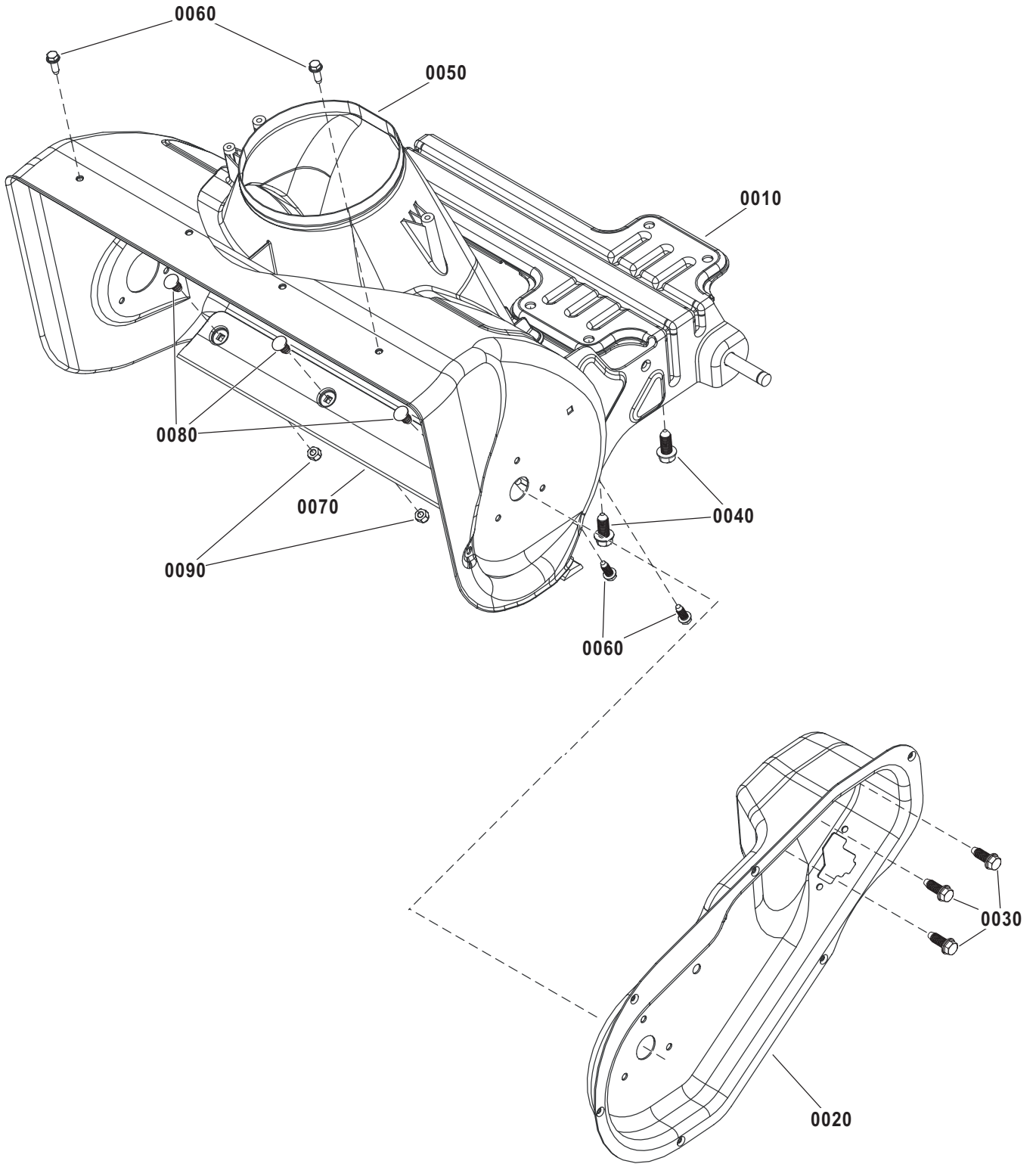
COPYRIGHT by GLOBAL GARDEN PRODUCTS

All rights reserved. No part of this material may be reproduced or transmitted, in any form or by any means, electronic or mechanical, including photocopying, recording or by any information storage and retrieval system, without permission in writing from GLOBAL GARDEN PRODUCTS.

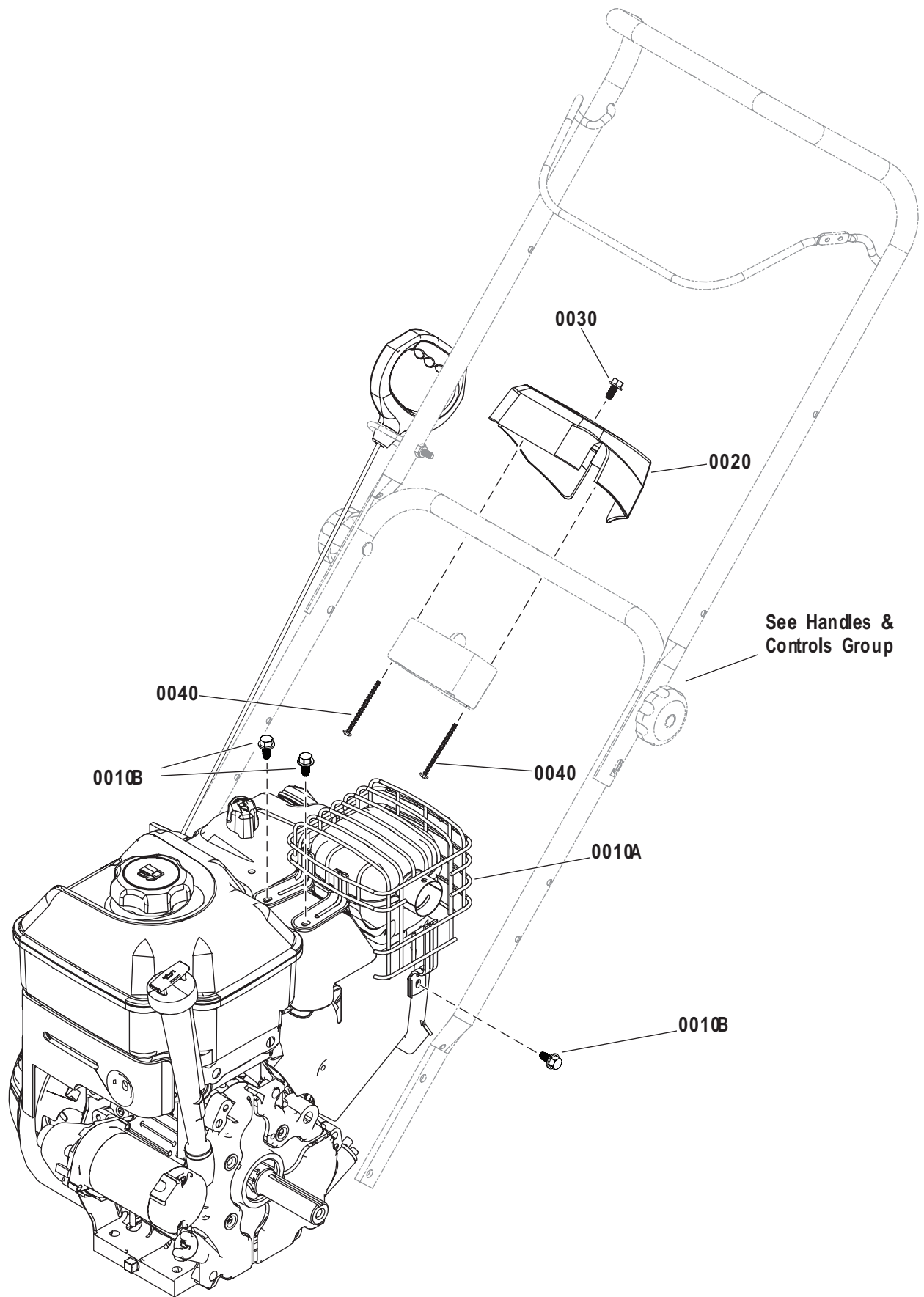




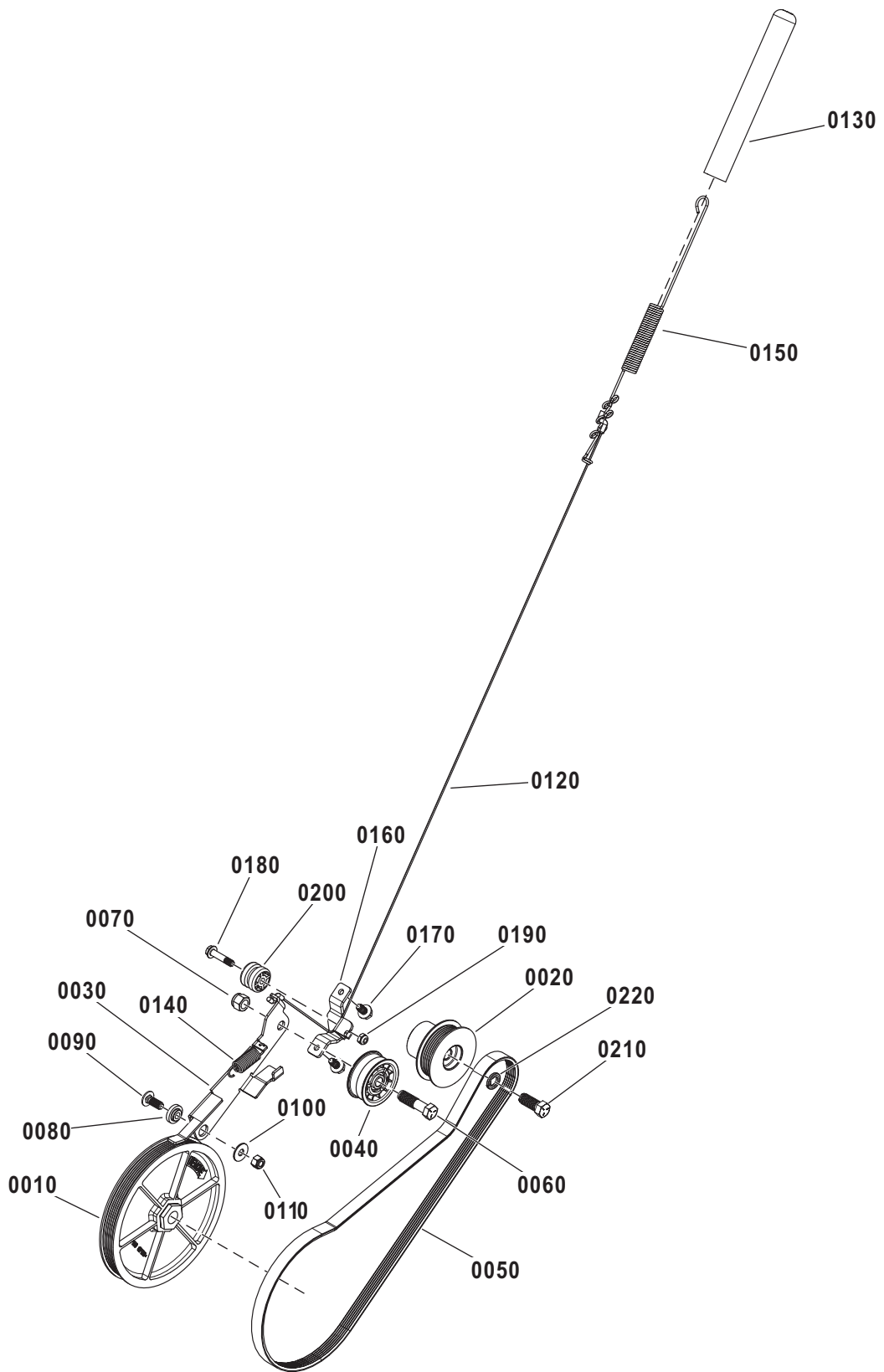
Utgåva Issue		Bildnr Picture No		SNOW PRISMA STYRE REGLAGE		SNOW PRISMA HANDLE CONTROLS		Sida Page	
2010-14		2766						14	
Pos. Fig.	Antal/Quantity				Art nr Part No	Benämning	Description	Sats Kit	Anmärkning Notes
	2805 -31								
X 10	4				1812-2641-01 Skruv	Screw			
X 20	1				1812-2568-01 Styre- undre	Handlebar- lower			
X 30	1				1812-2569-01 Styre- övre	Handlebar- upper			
X 40	1				1812-2567-01 Reglagebygel	Engine stop bail			
X 50	2				1812-2653-01 Vagnsbult	Carriage bolt			
X 60	2				1812-2499-01 Låsratt	Handle knob			
X 70	1				1812-2572-01 Snörguide	Rope guide			
X 80	1				9743-3521-32 Mutter	Nut			
X 90	1				1812-2656-01 Skruv	Cap screw			
X 100	1				1812-2493-01 Låsratt	Handle knob			
X 999	1				8218-2255-10 Bruksanvisning	Owner's manual			Ej ill/not ill.



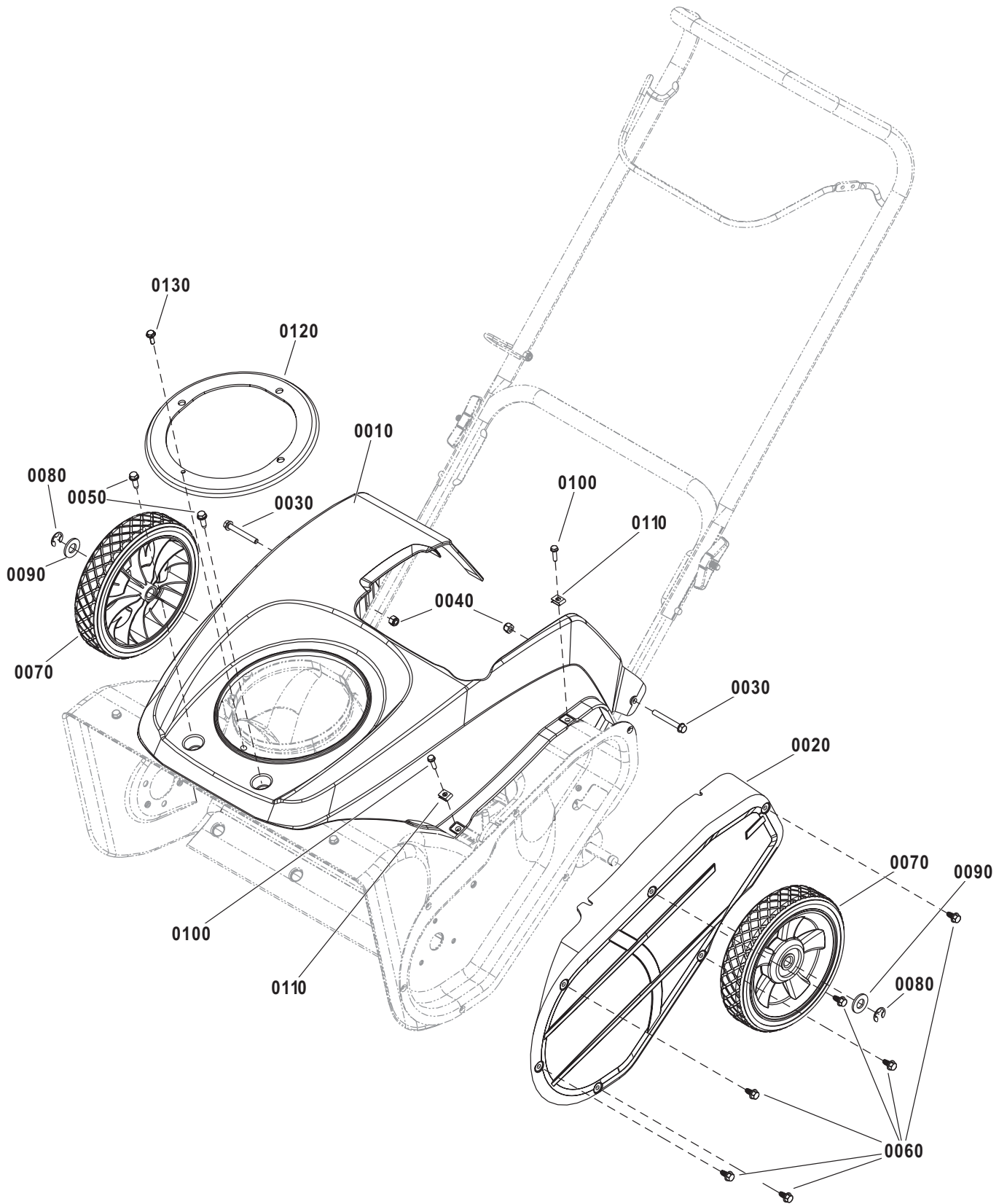
Utgåva Issue		Bildnr Picture No		SNOW PRISMA RAM		SNOW PRISMA FRAME		Sida Page	
2010-14		2763						16	
Pos. Fig.	Antal/Quantity				Art nr Part No	Benämning	Description	Sats Kit	Anmärkning Notes
	2805 -31								
X	10	1			1812-2558-01	Ram kpl	Frame assy.....		
X	20	1			1812-2555-01	Transmissionshus	Drive housing.....		
	30	3			9987-5119-16	Skruv	Screw.....		
	40	3			9955-3725-16	Skruv	Screw.....		
X	50	1			1812-2578-01	Utkaströr	Chimney.....		
X	60	5			1812-2618-01	Skruv	Screw.....		
X	70	1			1812-2561-01	Skrapskär	Scraper bar		
	80	4			9899-3516-16	Skruv	Screw.....		
	90	4			9743-3521-32	Mutter.....	Nut.....		



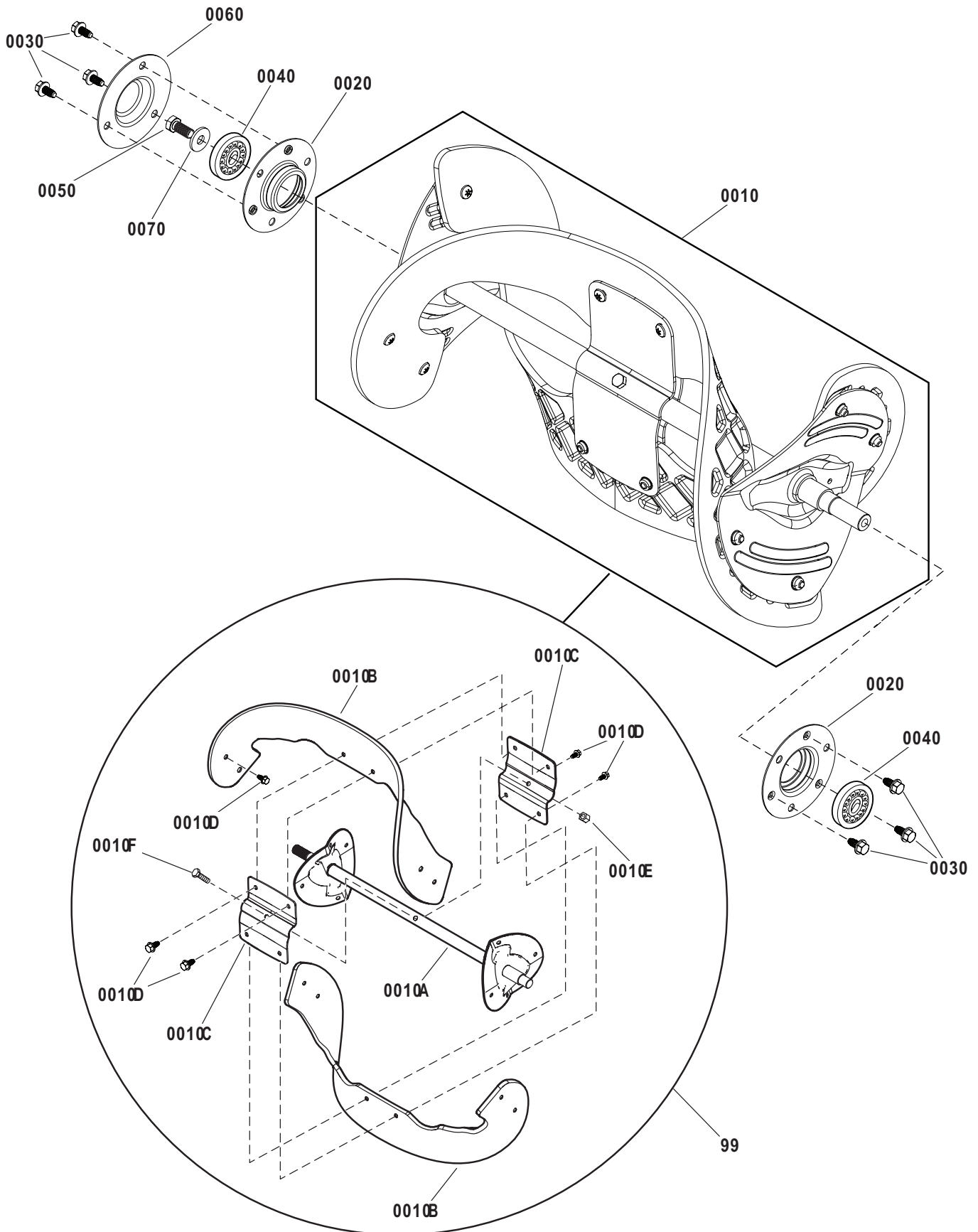
Utgåva Issue		Bildnr Picture No		SNOW PRISMA MOTOR		SNOW PRISMA ENGINE		Sida Page	
2010-14		2764						18	
Pos. Fig.	Antal/Quantity				Art nr Part No	Benämning	Description	Sats Kit	Anmärkning Notes
	2805 -31								
X	10A	1			1812-2497-01	Ljuddämparskydd.....	Muffler guard		L=2½"
X	10B	3			1812-2495-01	Skruv	Screw		
X	20	1			1812-2612-01	Starthus.....	Starter housing		
X	30	1			1812-2619-01	Skruv.....	Screw.....		
X	40	2			1812-2624-01	Skruv.....	Screw.....		



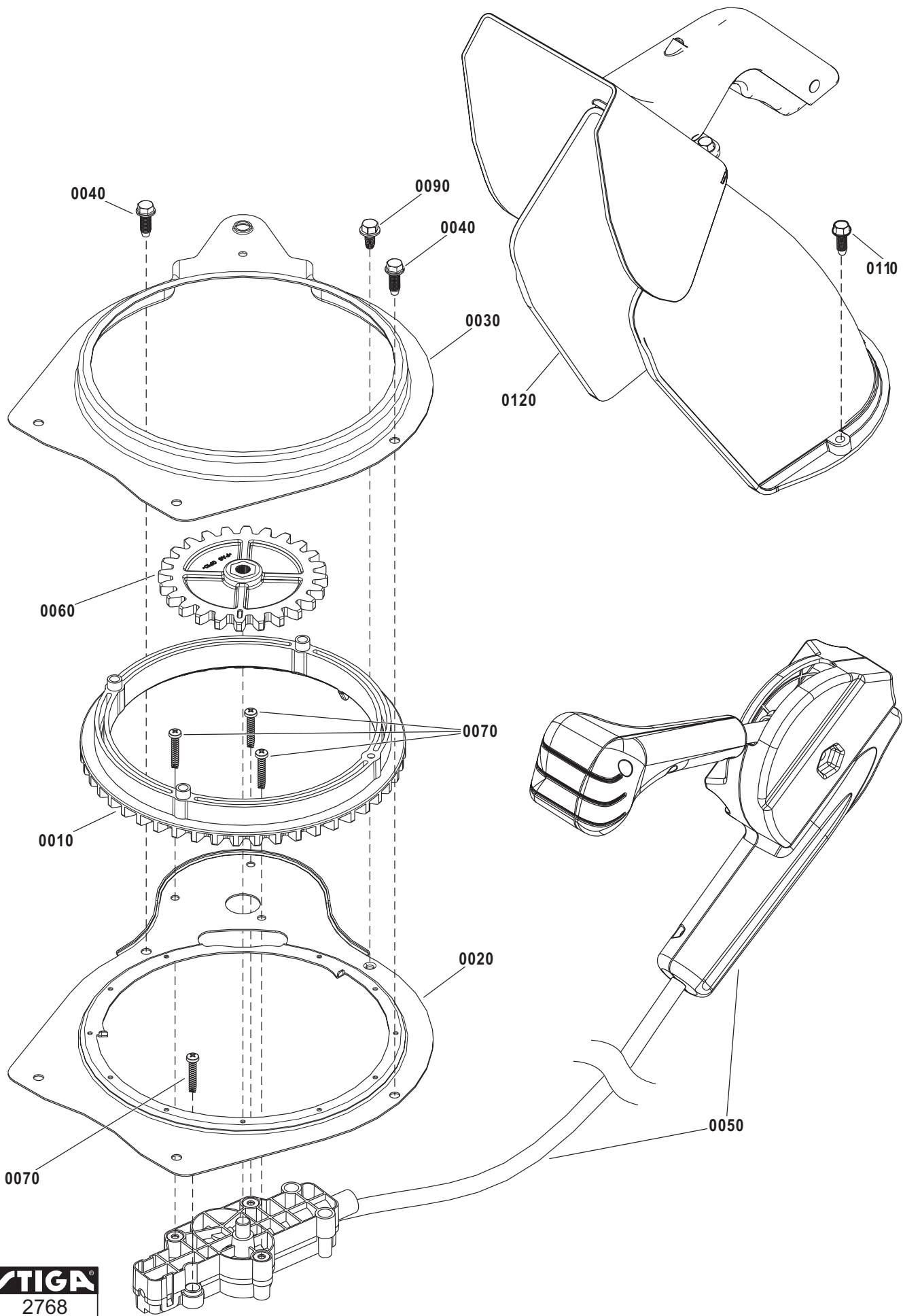
Utgåva Issue		Bildnr Picture No		SNOW PRISMA DRIVNING SNÖSKRUV		SNOW PRISMA AUGER DRIVE		Sida Page	
2010-14		2771						20	
Pos. Fig.	Antal/Quantity				Art nr Part No	Benämning	Description	Sats Kit	Anmärkning Notes
	2805 -31								
X	10	1			1812-2602-01	Remskiva- sekundär	Pulley- driven		
X	20	1			1812-2557-01	Remskiva- primär	Pulley- driver		
X	30	1			1812-2577-01	Spännarm	Idler drive arm		
X	40	1			1812-2077-01	Spännrulle	Tension roller		
X	50	1			1812-2566-01	Drivrem	Drive belt.....		
X	60	1			9988-3738-12	Skruv	Screw		
X	70	1			9743-3721-32	Mutter	Nut		
X	80	1			1812-2601-01	Distans	Spacer		
X	90	1			1812-2642-01	Vagnsbult	Carriage bolt		
X	100	1			1812-2654-01	Bricka	Flat washer.....		
X	110	1			9743-3521-32	Mutter	Nut		
X	120	1			1812-2126-01	Reglagewire.....	Drive cable		
X	130	1			1812-2608-01	Fjäderhylsa	Clutch spring boot		
X	140	1			1812-2615-01	Fjäder.....	Idler spring		
X	150	1			1812-2616-01	Fjäder.....	Extension spring		
X	160	1			1812-2617-01	Fäste.....	Cable guide bracket.....		
X	170	2			1812-2619-01	Skruv	Screw		
X	180	1			1812-2625-01	Skruv	Cap screw		
X	190	1			1812-2651-01	Mutter	Nut		
X	200	1			1812-1205-01	Spole	Spool		
X	210	1			1812-2079-01	Skruv	Screw		
X	220	1			9683-0035-02	Låsbricka	Lock washer.....		



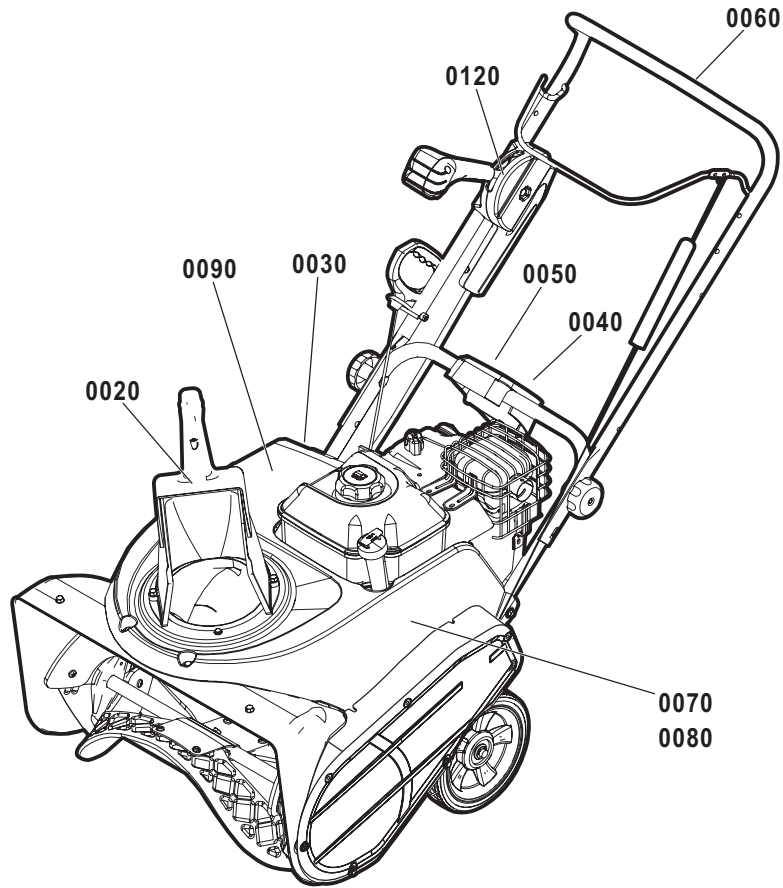
Utgåva Issue 2010-14		Bildnr Picture No 2767		SNOW PRISMA HJUL KÅPOR		SNOW PRISMA WHEELS BODY COVER		Sida Page 22	
Pos. Fig.	Antal/Quantity				Art nr Part No	Benämning	Description	Sats Kit	Anmärkning Notes
	2805 -31								
X 10	1				1812-2609-01	Kåpa-övre, gul.....	Cover-top, yellow		
X 20	1				1812-2579-01	Kåpa, svart.....	Drive case cover, bl.....		
X 30	2				9988-3551-12	Skruv.....	Screw.....		
X 40	2				9743-3521-32	Mutter.....	Nut.....		
X 50	2				1812-2618-01	Skruv.....	Screw.....		
X 60	6				1812-2619-01	Skruv.....	Screw.....		
X 70	2				1812-2494-01	Hjul.....	Wheel.....		
X 80	2				1812-2492-01	Låsring.....	E-ring.....		
X 90	2				1812-2649-01	Planbricka.....	Flat washer.....		
X 100	2				1812-2627-01	Skruv.....	Cap screw.....		
X 110	2				1812-2498-01	Snabbmutter.....	Speed nut.....		
X 120	1				1812-2603-01	Kåpring-utkast.....	Chute cover.....		
X 130	1				1812-2257-01	Skruv.....	Screw.....		



Utgåva Issue		Bildnr Picture No		SNOW PRISMA SNÖSKRUV		SNOW PRISMA AUGER		Sida Page	
2010-14		2765						24	
Pos. Fig.	Antal/Quantity				Art nr Part No	Benämning	Description	Sats Kit	Anmärkning Notes
	2805 -31								
X	10	1			1812-2635-01	Snöskruv kpl.....	Auger assy		Inkl. pos 10A-10F
X	10D	12			1812-2652-01	• Skruv	• Screw		
	10E	1			9743-3521-32	• Mutter.....	• Nut		
	10F	1			9988-3538-12	• Skruv	• Screw		
X	20	2			1812-2559-01	Lagerhållare.....	Bearing retainer.....		
X	30	6			1812-2619-01	Skruv.....	Screw.....		
	40	2			1812-2373-01	Kullager	Ball bearing		
	50	1			9988-3619-16	Skruv	Screw.....		
X	60	1			1812-2560-01	Lagerlock.....	Bearing cap		
X	70	1			1812-2660-01	Bricka	Flat washer.....		
X	99	1			1812-2503-01	Gummiskärsats	Auger flight kit		Inkl. pos 10B, 10D



Utgåva Issue		Bildnr Picture No		SNOW PRISMA UTKAST		SNOW PRISMA CHUTE		Sida Page	
2010-14		2768						26	
Pos. Fig.	Antal/Quantity				Art nr Part No	Benämning	Description	Sats Kit	Anmärkning Notes
	2805 -31								
X 10	1				1812-2556-01	Ringdrev- utkastrot	Chute rotation gear		
X 20	1				1812-2570-01	Platta- utkast.....	Chute mounting plate.....		
X 30	1				1812-2571-01	Hållare- ringdrev	Chute gear retainer.....		
X 40	2				1812-2618-01	Skruv.....	Screw.....		
X 50	1				1812-2604-01	Reglage- utkastrot.	Remote control- chute.....		
X 60	1				1812-2552-01	Drev- utkastrot.....	Chute rotation gear		
X 70	4				1812-2659-01	Skruv.....	Screw.....		
X 90	1				1812-2619-01	Skruv.....	Screw.....		
X 110	3				1812-2661-01	Skruv.....	Screw.....		
X 120	1				1812-2576-01	Utkast.....	Chute		



⚠ DANGER

Amputation hazard
Contact with moving parts inside chute will cause serious injury.

- Shut off engine before unclogging discharge chute.
- Use clean-out tool, not hands!

Risque d'amputation
Tout contact avec des pièces en mouvement à l'intérieur de la goulotte provoquera de graves blessures.

- Arrêter le moteur avant de dégager la goulotte d'éjection.
- Utiliser l'outil de dégagement, pas les mains!

1737865

0020

STEPS TO EASY STARTING
ÉTAPES POUR UN DÉMARRAGE FACILE

1 Turn engine ON
Mettez le moteur sur « ON » (marche)

2 Turn choke knob to CHOKE
Tournez le bouton de l'étrangleur sur « CHOKE »

3 For COLD engine PRIME 2X
Si le moteur est FROID amorcez-le 2 fois

After engine starts, turn to RUN
Une fois le moteur en marche, mettez-le sur « RUN »

0030

4 Plug in extension cord or Pull rope
Branchez le cordon d'extension ou tirer la corde

5 Push Button to Start
Appuyez sur le bouton pour démarrer

0040 0050

0060

0060

⚠ DANGER

Shut off engine and remove key before performing maintenance or repair work.		Arrêter le moteur et retirer la clé avant d'effectuer tout entretien ou toute réparation.
Read the operator's manual for operating and safety instructions.		Lire les consignes de sécurité et d'utilisation dans le manuel d'utilisation.
Thrown Objects Hazard • Never direct discharge chute towards persons or property.		Danger objets projetés • Ne jamais diriger la chute en direction des personnes ou biens matériels.
Amputation Hazard • Contact with auger will cause serious injury. • Keep hands, feet and clothing away. • Keep bystanders away.		Risque d'amputation • Tout contact avec la tarière provoquera de graves blessures. • Tenir vos pieds, vos mains et vêtements à distance. • Tenir les spectateurs à distance.

This 2004 Golfex system complies with the Canadian standard BCS-2002. Ce système d'allumage par étincelle de véhicule est conforme à la norme BMS-2002 du Canada.

1739577

0010



Utgåva Issue 2010-14		Bildnr Picture No 2770		SNOW PRISMA DEKALER		SNOW PRISMA LABELS		Sida Page 28	
Pos. Fig.	Antal/Quantity				Art nr Part No	Benämning	Description	Sats Kit	Anmärkning Notes
	2805 -31								
X 1	1				1812-2700-01	Dekalsats	Label kit		Inkl. pos 10-120