

# Genuine Spare Parts

www.stiga.com

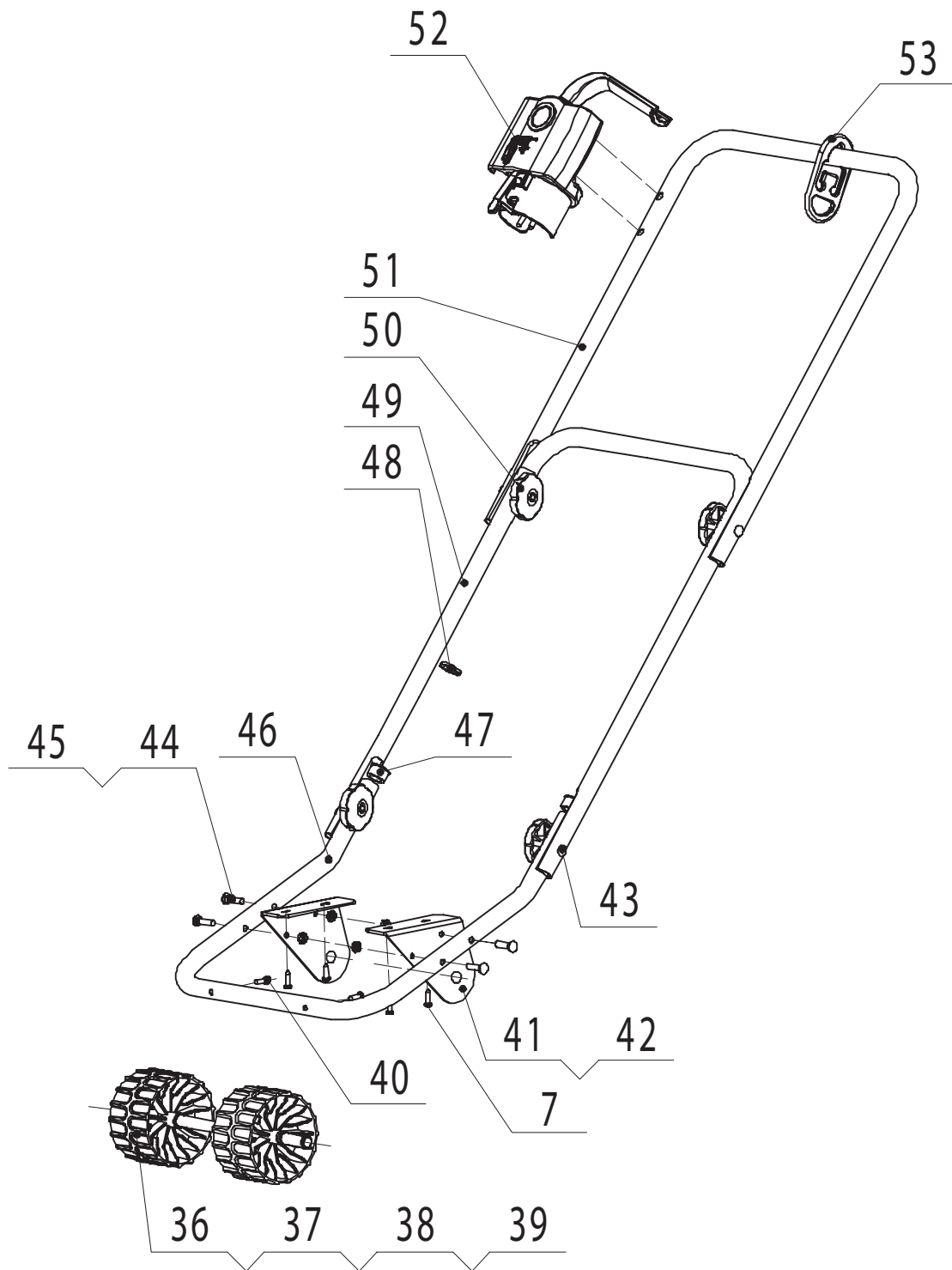
## SNOW ELECTRIC 2000 Model Year 2010/2011

- Use GLOBAL GARDEN PRODUCT Genuine Spare Parts specified in the parts list for repair and/or replacement.
- The contents described in the parts list may change due to improvement.
- The drawings of the spare parts are only indicative and might not represent the part in question exactly.
- The indications "right" - "left" - "front" - "rear" refer to the position of the operator when using the machine.
- When placing orders of parts for repair and/or replacement, make sure that the illustrated parts list is the one applying to the machine's year of manufacture, as shown on the identification plate attached to the machine.

COPYRIGHT by GLOBAL GARDEN PRODUCTS

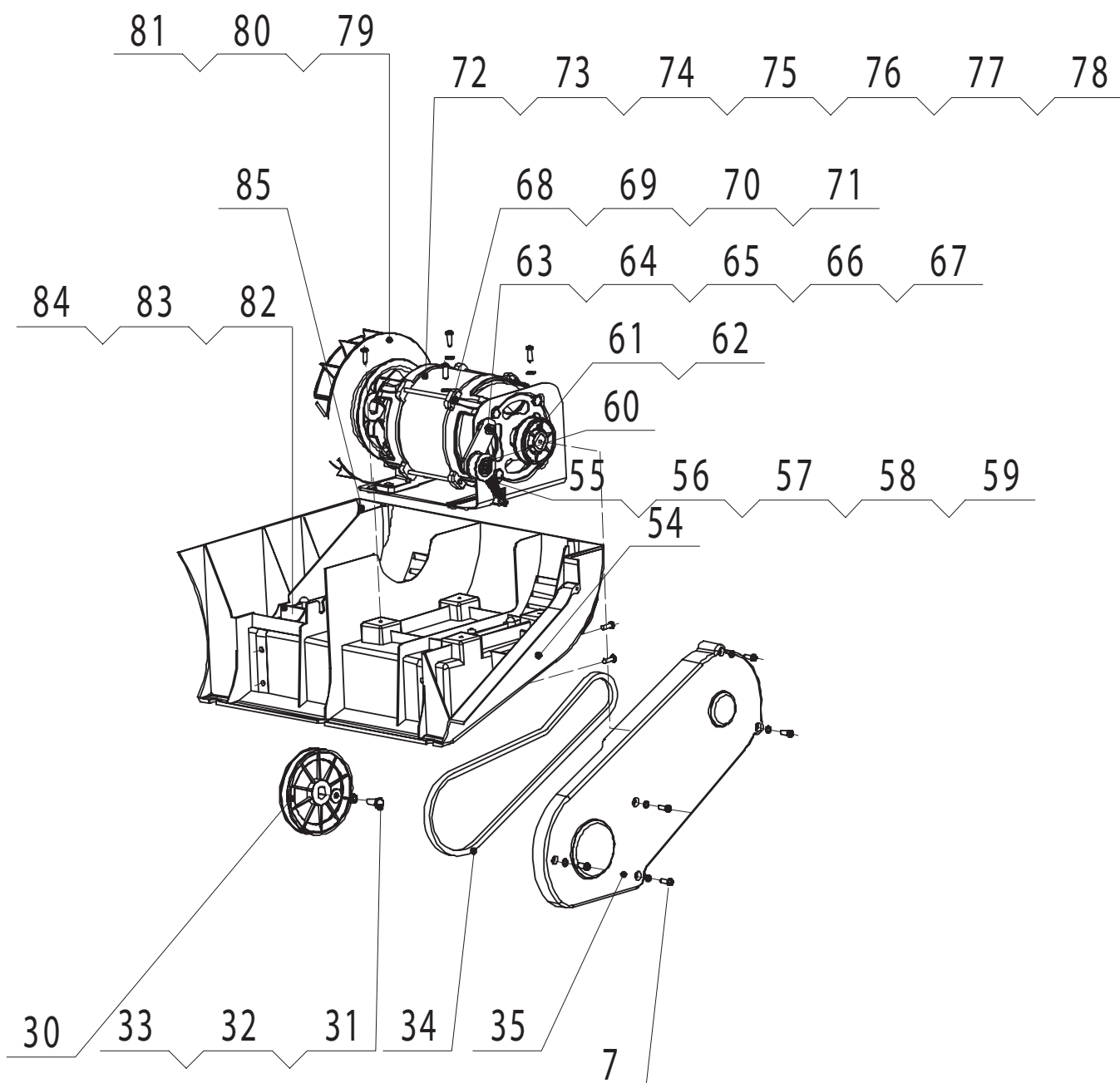
All rights reserved. No part of this material may be reproduced or transmitted, in any form or by any means, electronic or mechanical, including photocopying, recording or by any information storage and retrieval system, without permission in writing from GLOBAL GARDEN PRODUCTS.



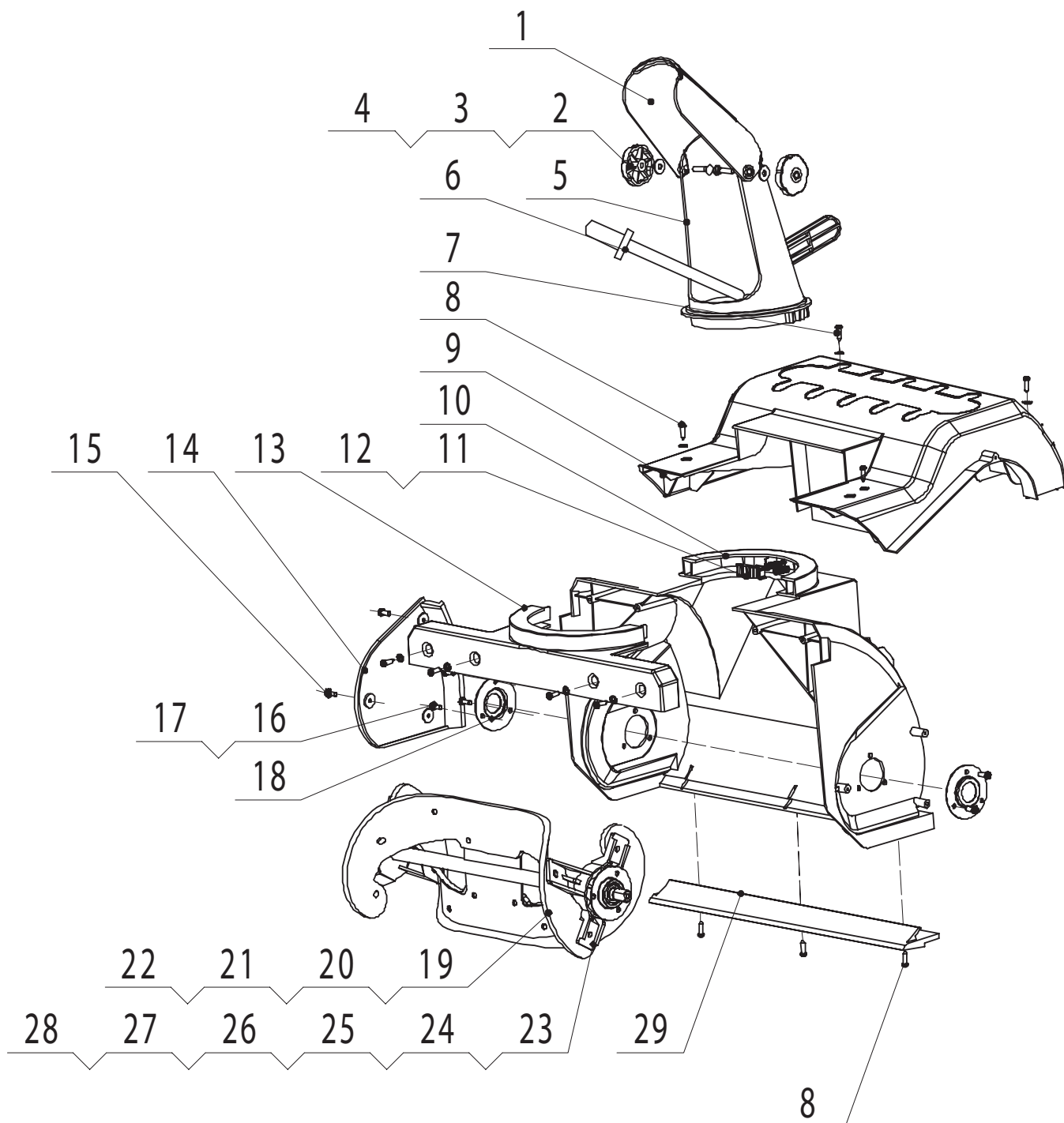


Utgåva Issue		Bildnr Picture No		SNOW ELECTRIC 2000 STYRE		SNOW ELECTRIC 2000 HANDLE		Sida Page	
2010-14		2322						2	
Pos. Fig.	Antal/Quantity				Art nr Part No	Benämning	Description	Sats Kit	Anmärkning Notes
	2806 -31								
7	4				1811-2301-01 Skruv .....	Screw .....			
36	2				1811-2360-01 Hjul .....	Wheel .....			
37	1				1811-2379-01 Hjulaxel .....	Wheel shaft .....			
38	6				9650-0012-04 Seegersäkring .....	Circlip .....			
39	6				9699-0115-02 Bricka .....	Washer .....			
40	2				9849-8032-16 Skruv .....	Screw .....			
41	1				1811-2373-01 Hjulplåt- vä .....	Wheel plate- LH .....			
42	1				1811-2374-01 Hjulplåt- hö .....	Wheel plate- RH .....			
43	4				1716-0003-01 Skruv .....	Screw .....			
44	4				9997-0535-12 Skruv .....	Screw .....			
45	4				9747-0531-02 Mutter .....	Nut .....			
46	1				1811-2383-01 Styre- underdel .....	Handle- lower .....			
47	4				1716-0224-01 Plugg .....	Plug .....			
48	2				1716-0225-01 Kabelhållare .....	Cable holder .....			
49	1				1811-2382-01 Styre- mellandel .....	Handle- middle .....			
50	4				1811-2317-01 Lås ratt .....	Locking knob .....			
51	1				1811-2381-01 Styre- överdel .....	Handle- upper .....			
52	1				1811-2349-01 Brytare .....	Switch .....			
53	1				1716-0192-01 Kabelhållare .....	Cable- kink protection .....			
99	1				8218-2218-01 Bruksanvisning .....	Owner's manual .....			Ej ill/not ill.

X



Utgåva Issue 2010-14		Bildnr Picture No 2323		SNOW ELECTRIC 2000 TRANSMISSION		SNOW ELECTRIC 2000 TRANSMISSION		Sida Page 4	
Pos. Fig.	Antal/Quantity				Art nr Part No	Benämning	Description	Sats Kit	Anmärkning Notes
	2806 -31								
7	5				1811-2301-01 Skruv.....	Screw.....			
30	1				1811-2322-01 Remskiva.....	Drive wheel.....			
31	1				9948-0616-16 Skruv.....	Screw.....			
32	1				9699-0060-02 Planbricka.....	Flat washer.....			
33	1				9683-0025-02 Låsbricka.....	Lock washer.....			
34	1				1811-2356-01 Drivrem.....	Drive belt.....			
35	1				1811-2371-01 Remskydd.....	Belt cover.....			
54	1				1811-2367-01 Chassi.....	Chassis.....			
55	1				1811-2339-01 Fjäder- spännarm.....	Spring- tension arm.....			
56	1				1811-2338-01 Spännrullaxel.....	Tension roller shaft.....			
57	2				1811-2300-01 Kullager.....	Ball bearing.....			
58	1				1811-2364-01 Spännrulle.....	Strain wheel.....			
59	1				1811-2350-01 Låsring.....	Snap ring.....			
60	1				9699-0028-02 Planbricka.....	Flat washer.....			
61	1				1811-2324-01 Remskiva- motor.....	Main drive wheel.....			
62	1				9683-0030-02 Låsbricka.....	Lock washer.....			
63	1				9799-0831-02 Mutter.....	Nut.....			
64	1				1811-2341-01 Spännarm.....	Tension arm.....			
65	1				1811-2355-01 Nit.....	Rivet.....			
66	3				9683-0025-02 Låsbricka.....	Lock washer.....			
67	1				9699-0028-02 Planbricka.....	Flat washer.....			
68	3				9747-0631-02 Låsmutter.....	Lock nut.....			
69	1				1811-2380-01 Motorplatta.....	Motor base.....			
70	1				1811-2345-01 Motorgavel- främre.....	End plate- front.....			
71	1				1811-2346-01 Motorgavel- bakre.....	End plate- rear.....			
72	4				1811-2354-01 Bult.....	Bolt.....			L = 110 mm
73	4				9683-0015-02 Låsbricka.....	Lock washer.....			
74	1				1811-2376-01 Stator.....	Stator.....			
75	1				1811-2375-01 Rotor.....	Rotor.....			
76	2				9549-0019-00 Kullager.....	Ball bearing.....			
77	1				1811-2304-01 Packning.....	Wave gasket.....			
78	2				9997-0625-16 Skruv.....	Screw.....			
79	1				1811-2359-01 Fläkt.....	Fan.....			
80	1				9650-0015-04 Låsring.....	Lock ring.....			
81	1				1716-0129-01 Kondensator.....	Capacitor.....			
82	1				9683-0030-02 Låsbricka.....	Lock washer.....			
83	1				1811-2357-01 Kabelklämma.....	Wire clip.....			
84	1				1811-2365-01 Fäste.....	Flashboard.....			
85	1				1811-2306-01 Gummihylsa.....	Rubber grommet.....			



Utgåva Issue		Bildnr Picture No		SNOW ELECTRIC 2000 SNÖSKRUV		SNOW ELECTRIC 2000 AUGER		Sida Page	
2010-14		2324						6	
Pos. Fig.	Antal/Quantity				Art nr Part No	Benämning	Description	Sats Kit	Anmärkning Notes
	2806 -31								
1	1				1811-2310-01	Utkastskärm .....	Upper outlet .....		
2	2				9699-0060-02	Planbricka.....	Flat washer.....		
3	2				9898-0635-12	Skruv .....	Screw.....		
4	2				1811-2317-01	Lås ratt .....	Locking knob .....		
5	1				1811-2311-01	Utkaströr .....	Lower outlet.....		
6	1				1811-2352-01	Rensdon .....	Cleaner stick .....		
7	2				1811-2301-01	Skruv .....	Screw.....		
8	7				9847-8016-16	Skruv .....	Screw.....		
9	1				1811-2372-01	Kåpa- gul .....	Cover- yellow .....		
10	1				1811-2370-01	Inmatningshus- gul.....	Snow channel- yellow .....		
11	1				1811-2363-01	Spärr .....	Block .....		
12	2				1811-2332-01	Fjäder.....	Spring .....		
13	1				1811-2368-01	Krage- gul .....	Cuff- yellow .....		
14	1				1811-2369-01	Skydd- gul .....	Dust proof cover- yell.....		
15	3				9847-7913-16	Skruv .....	Screw.....		
16	6				9950-0510-16	Skruv .....	Screw.....		
17	15				9699-0024-02	Planbricka.....	Flat washer.....		
18	2				1811-2337-01	Lagerskål- yttre.....	Bearing cover- outer.....		
19	2				9549-0044-00	Kullager .....	Ball bearing .....		
20	2				1811-2343-01	Lagerskål- inre .....	Bearing cover- inner .....		
21	1				1811-2361-01	Snöskruvfäste- vä .....	Propeller brkt- LH.....		
22	1				1811-2362-01	Snöskruvfäste- hö.....	Propeller brkt- RH .....		
23	16				9948-0616-16	Skruv .....	Screw.....		
24	16				9747-0631-02	Låsmutter .....	Lock nut.....		
25	2				1811-2358-01	Kil .....	Shaft key .....		
26	2				1811-2377-01	Gummipaddel .....	Rubber wheel.....		
27	1				1811-2378-01	Snöskruvaxel .....	Prop plate & shaft.....		
28	4				9650-0017-04	Låsring .....	Retaining ring .....		
29	1				1811-2366-01	Skrapskär- gul .....	Spading board- yellow.....		