

Genuine Spare Parts

www.stiga.com

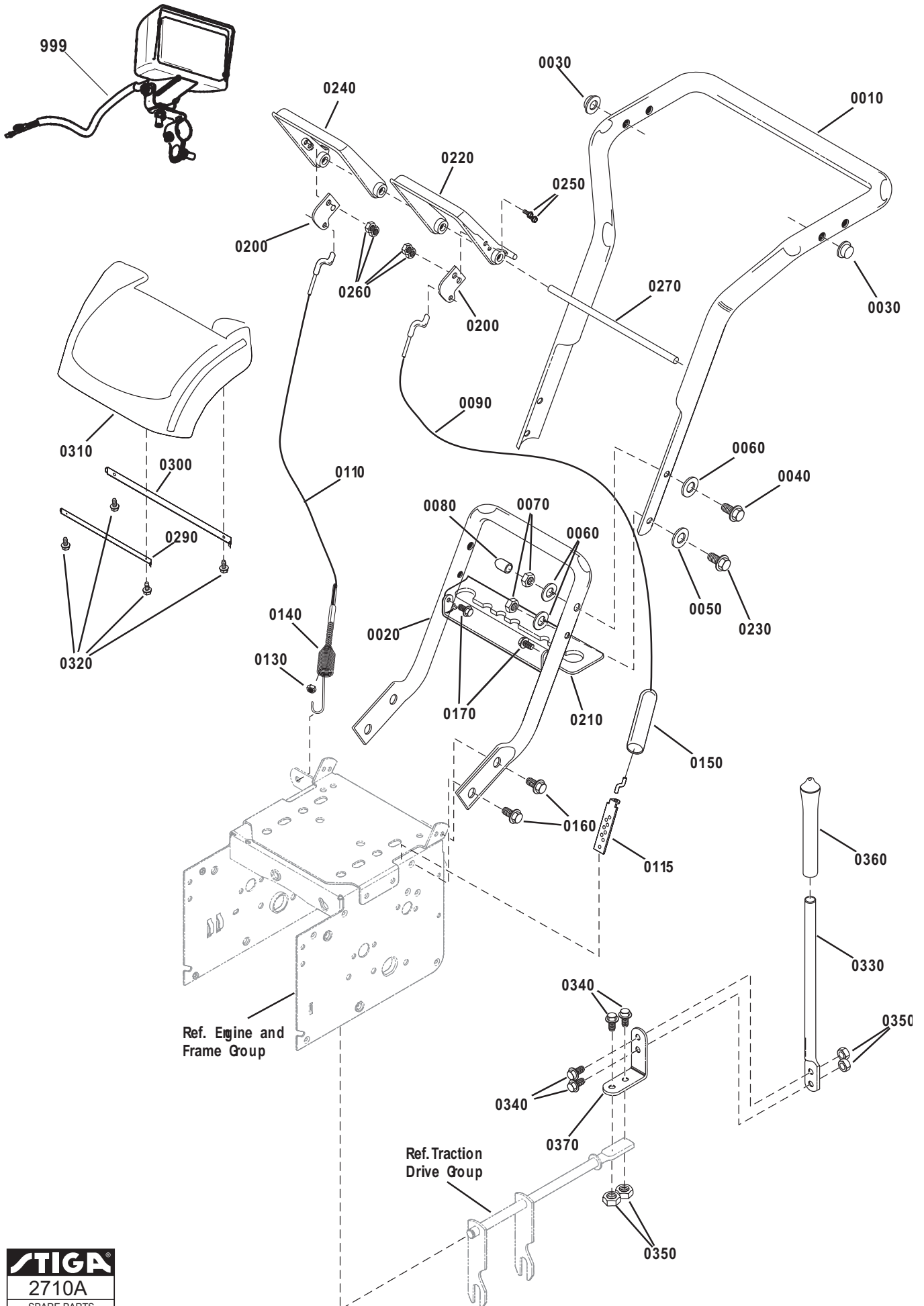
SNOW BLIZZARD Model Year 2010/2011

- Use GLOBAL GARDEN PRODUCT Genuine Spare Parts specified in the parts list for repair and/or replacement.
- The contents described in the parts list may change due to improvement.
- The drawings of the spare parts are only indicative and might not represent the part in question exactly.
- The indications "right" - "left" - "front" - "rear" refer to the position of the operator when using the machine.
- When placing orders of parts for repair and/or replacement, make sure that the illustrated parts list is the one applying to the machine's year of manufacture, as shown on the identification plate attached to the machine.

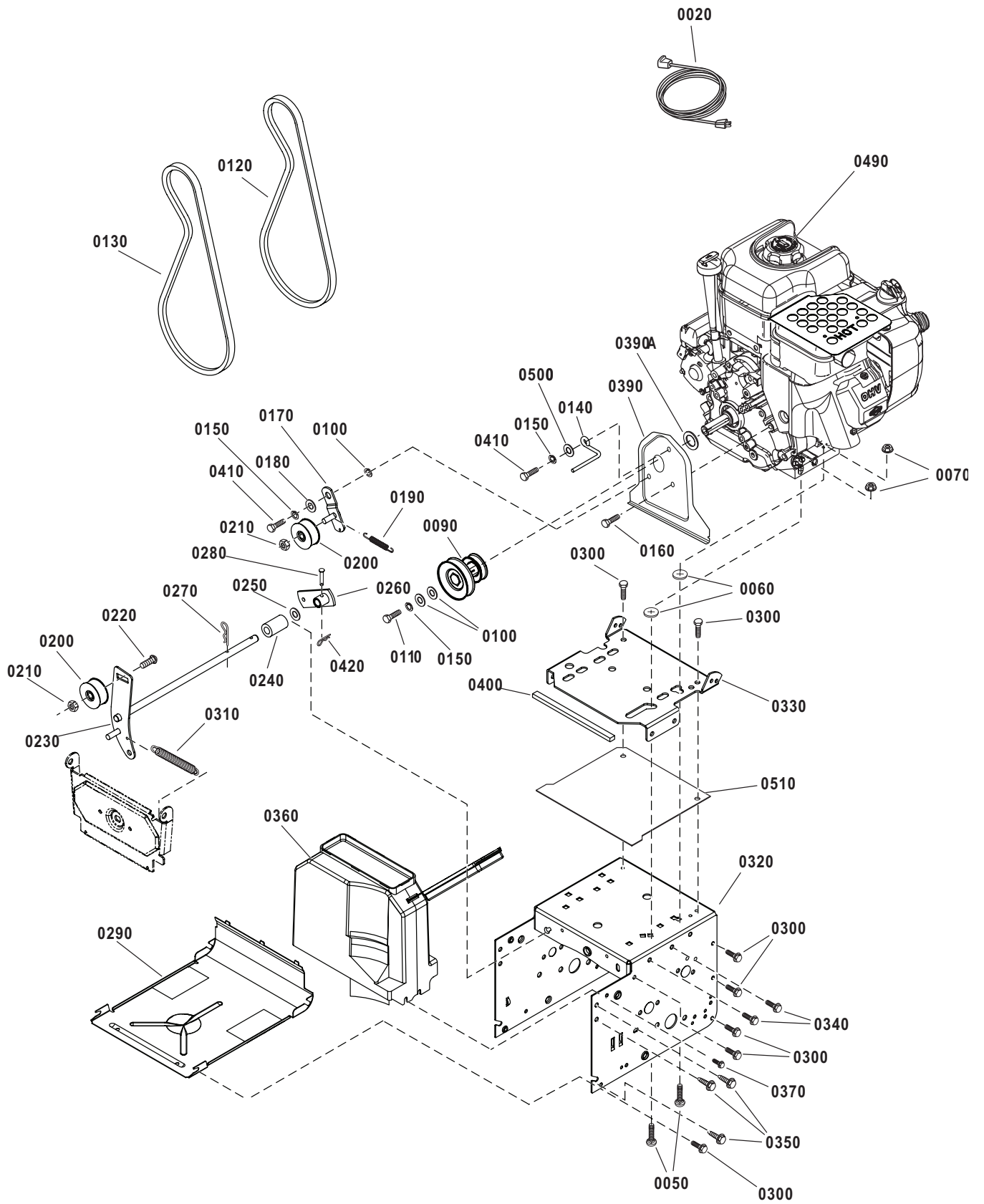
COPYRIGHT by GLOBAL GARDEN PRODUCTS

All rights reserved. No part of this material may be reproduced or transmitted, in any form or by any means, electronic or mechanical, including photocopying, recording or by any information storage and retrieval system, without permission in writing from GLOBAL GARDEN PRODUCTS.

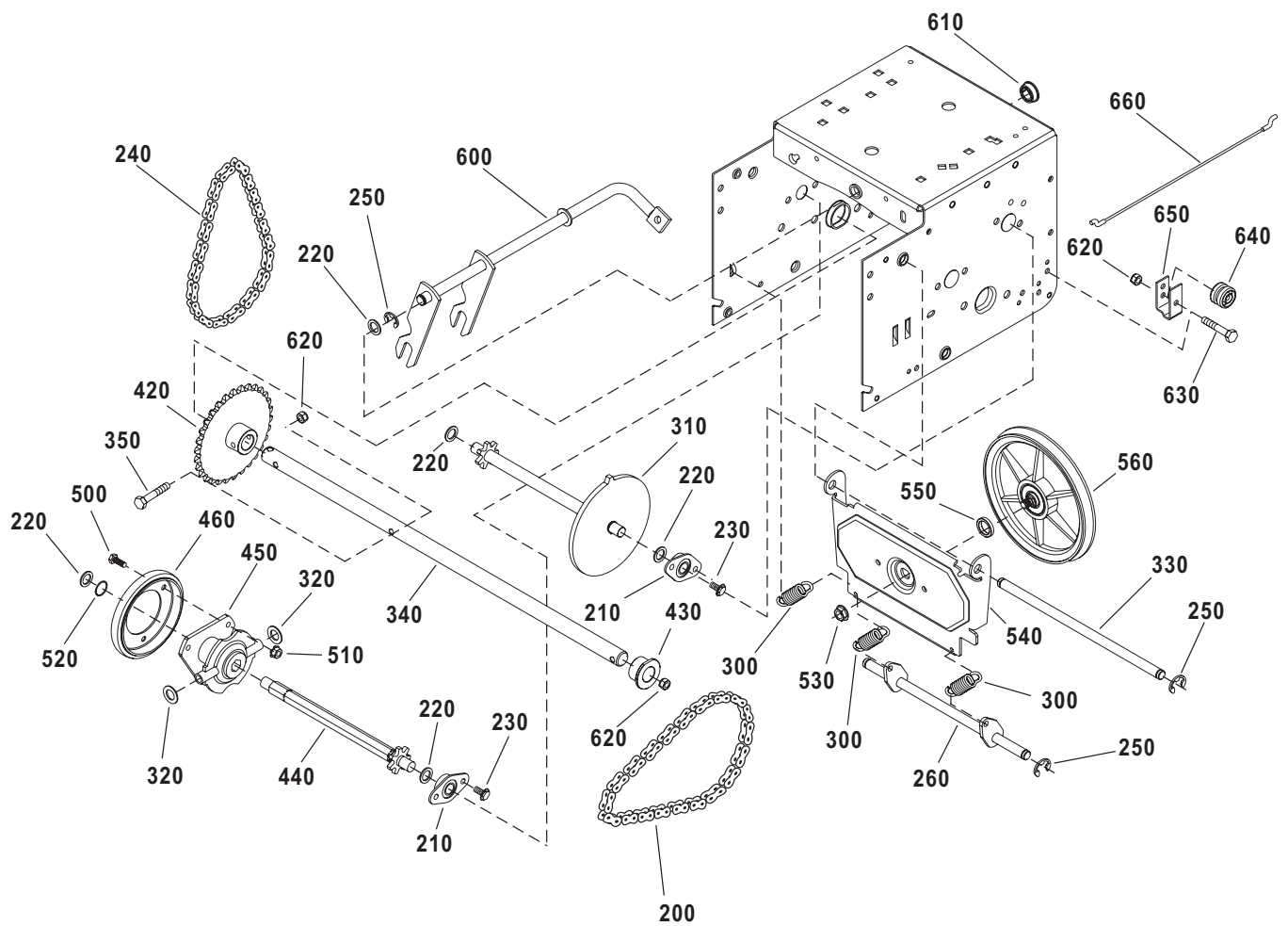




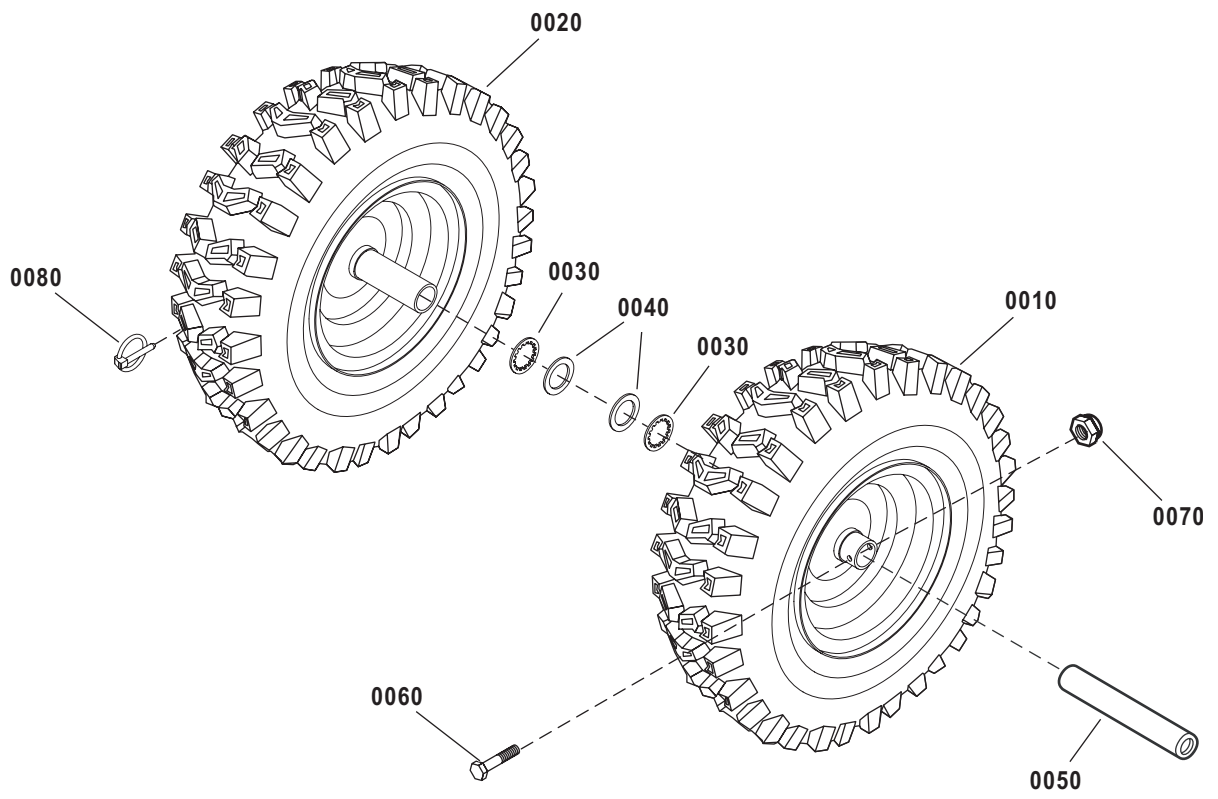
Utgåva Issue 2010-14		Bildnr Picture No 2710A		SNOW BLIZZARD STYRE REGLAGE		SNOW BLIZZARD HANDLE CONTROLS		Sida Page 44	
Pos. Fig.	Antal/Quantity				Art nr Part No	Benämning	Description	Sats Kit	Anmärkning Notes
	2830 -31								
10	1				1812-1395-01 Styre-överdel	Handle- upper			
20	1				1812-1323-01 Styre- underdel	Handle- lower			
30	2				1812-0513-01 Låsning	Retainer			
40	2				9988-3670-12 Skruv	Screw			
50	6				9699-0029-02 Planbricka	Flat washer			
60	3				9683-0030-02 Låsbricka	Lock washer			
70	3				1812-1759-01 Mutter	Nut			
80	3				1812-0941-01 Plastknopp	Plastic stop			
90	1				1812-1728-01 Kopplingswire	Clutch cable- drive			
110	1				1812-2068-01 Reglagewire- snöskruv	Control cable- auger			
115	1				1133-0977-01 Wirefäste	Cable adjust bracket			
130	1				1812-1760-01 Mutter	Nut			
140	1				1812-0254-01 Fjäder	Spring			
150	1				1133-0968-01 Wirehylsa	Clutch spring boot			
160	2				1812-1833-01 Skruv	Screw			
170	2				9988-3516-16 Skruv	Screw			
200	2				1812-2100-01 Wirefäste	Cable pivot plate			
210	1				1812-2005-01 Växelväljarplåt	Gear selector plate			
220	1				1812-0932-01 Kopplingshandtag- vä	Clutch handle- LH			
230	1				9988-3651-12 Skruv	Screw			
240	1				1812-0933-01 Kopplingshandtag- hö	Clutch handle- RH			
250	4				9988-3525-16 Skruv	Screw			
260	4				1812-0812-01 Låsmutter	Locking nut			
270	1				1812-0934-01 Handtagsaxel	Clutch handle rod			
290	1				1812-1868-01 Fäste- undre	Bracket- bottom			
300	1				1812-1869-01 Fäste- övre	Bracket- top			
310	1				1812-1870-01 Panel	Panel			
320	4				1812-1394-01 Skruv	Screw			
330	1				1812-2061-01 Växelspak	Shift rod			
340	4				9988-3519-16 Skruv	Screw			
350	4				1812-0812-01 Låsmutter	Locking nut			
360	1				1812-2060-01 Reglageknopp	Slip knob			
370	1				1812-1444-01 Spakfjäder	Lever spring			
380	1				1812-2414-01 Kablage	Wiring harness			
X 998	1				8218-2233-10 Bruksanvisning	Owner's manual			Ej ill/not ill.
X 999	1				1812-2502-01 Strålkastare kpl	Light assy			Ej ill/not ill.



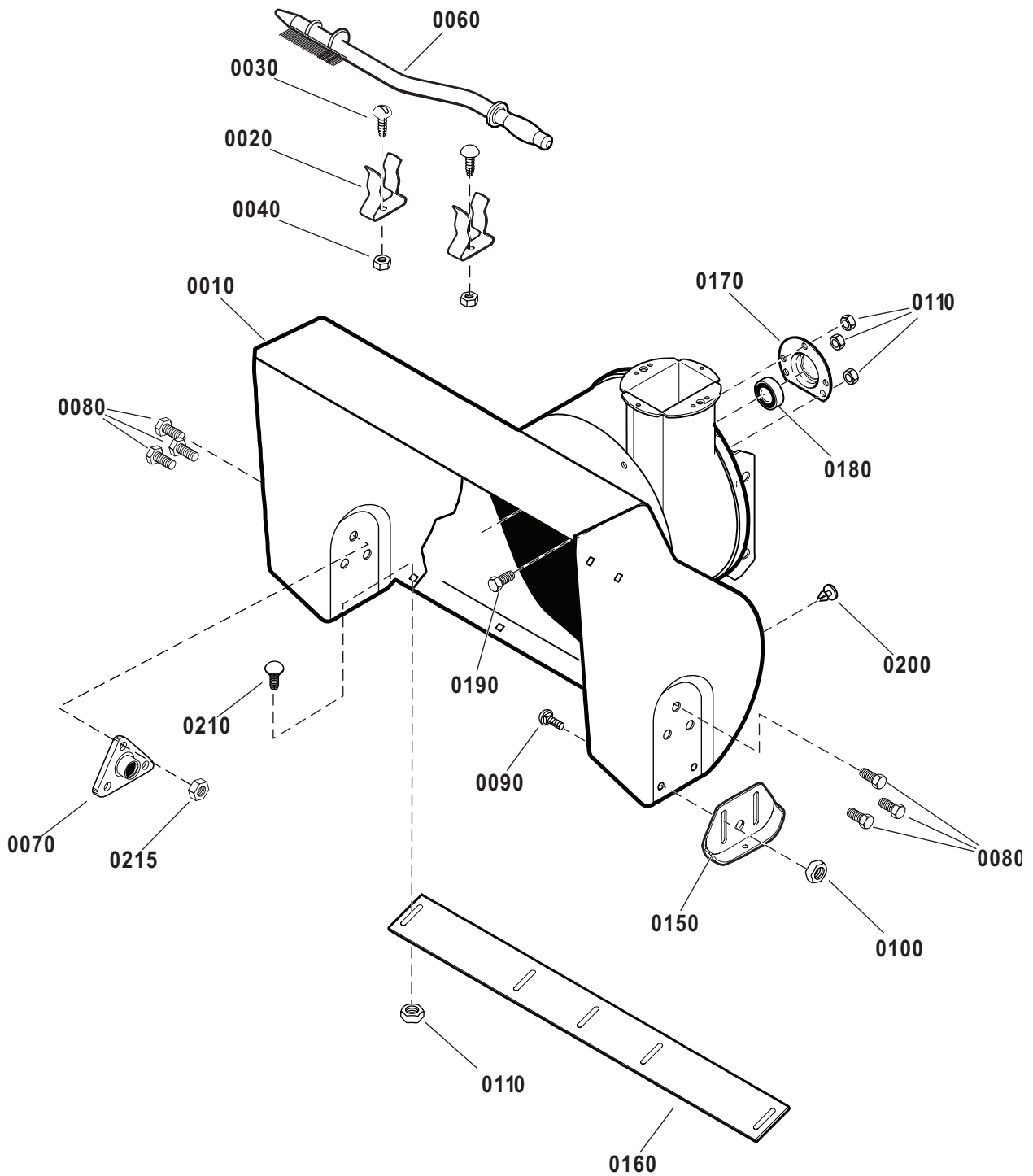
Utgåva Issue 2010-14		Bildnr Picture No 2711A		SNOW BLIZZARD RAM MOTOR		SNOW BLIZZARD FRAME ENGINE		Sida Page 46	
Pos. Fig.	Antal/Quantity				Art nr Part No	Benämning	Description	Sats Kit	Anmärkning Notes
	2830 -31								
	20	1			1812-1615-01	Förlängningssladd	Extension cord		
	50	4			1812-1678-01	Vagnsbult	Carriage bolt		
	60	4			1812-1681-01	Hållare	Retainer		
	70	4			9743-3621-32	Mutter	Nut		
	90	1			1812-1719-01	Motorremskiva	Engine pulley.....		
	100	3			1812-2248-01	Bricka	Washer.....		
	110	1			9987-5132-12	Skruv.....	Screw		
	120	1			1812-2220-01	Kilrem- drivning.....	Belt- traction drive.....		
	130	1			1812-9020-01	Drivrem	Drive belt.....		
	140	1			1812-2443-01	Remstyrning.....	Belt guide.....		
	150	3			9683-0030-02	Låsbricka.....	Lock washer.....		
	160	1			9987-5119-16	Skruv.....	Screw.....		
	170	1			1812-1722-01	Spännrullsfäste.....	Idler bracket.....		
	180	1			1812-1705-01	Bussning	Bushing.....		
X	190	1			1812-2489-01	Fjäder.....	Ext.idler spring.....		
	200	2			1812-2077-01	Spännrulle	Tension roller		
	210	2			9743-3721-32	Mutter.....	Nut		
	220	1			9899-3732-16	Skruv.....	Screw.....		
	230	1			1812-1747-01	Spännarm	Idler		
	240	1			1812-1741-01	Distans	Spacer.....		
	250	1			9699-0038-02	Planbricka.....	Flat washer.....		
	260	1			1812-2308-01	Reglagearm	Control arm.....		
X	270	1			1812-2490-01	Låsnål	Hair pin		
	280	1			1812-2407-01	Sprint.....	Clevis pin		
	290	1			1812-2465-01	Bottenplåt	Bottom cover		
	300	12			1812-2250-01	Skruv.....	Screw.....		
	310	1			1812-1676-01	Fjäder.....	Tension spring		
X	320	1			1812-2610-01	Ram.....	Box frame		
	330	1			1812-2234-01	Motorplatta.....	Engine mount plate.....		
	340	4			1812-2249-01	Skruv.....	Screw.....		
	350	6			1812-2141-01	Skruv.....	Screw.....		
X	360	1			1812-2506-01	Remskydd	Belt cover		
	370	2			1812-1680-01	Skruv.....	Screw.....		
X	390	1			1812-2504-01	Regnskydd.....	Water shield.....		
X	390A	1			1812-2505-01	Tätning	Foam seal.....		
X	400	1			1812-2614-01	Tätningslist.....	Seal strip.....		
	410	2			9987-5125-16	Skruv.....	Screw.....		
	420	1			1812-2281-01	Låsnål	Cotter pin		
	490	1			1812-2362-01	Tanklock	Gas cap.....		
X	500	1			1812-2657-01	Bricka	Flat washer.....		
X	510	1			1812-2613-01	Tätning- motorplatta.....	Engine plate seal.....		



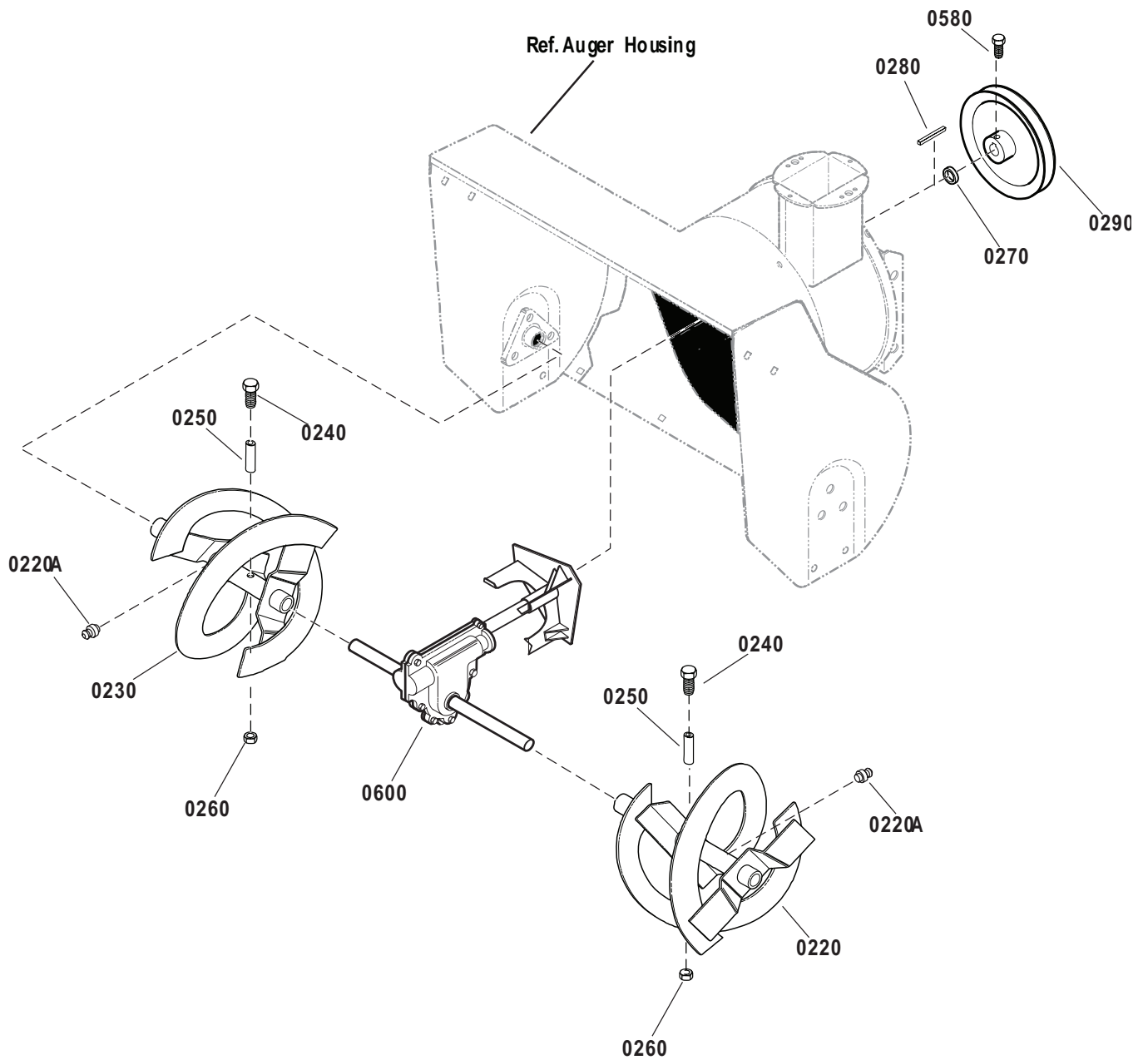
Utgåva Issue		Bildnr Picture No		SNOW BLIZZARD DRIVNING		SNOW BLIZZARD TRACTION DRIVE		Sida Page	
2010-14		2712						48	
Pos. Fig.	Antal/Quantity				Art nr Part No	Benämning	Description	Sats Kit	Anmärkning Notes
	2830 -31								
200	1			1812-1686-01	Kedja	Chain			
210	4			1812-1178-01	Glidlager m.hållare	Bearing & retainer			
220	5			1812-1204-01	Bricka	Washer			
230	8			1812-2249-01	Skruv	Screw			
240	1			1812-1688-01	Kedja	Chain			
250	5			1812-1672-01	Låsring	Retainer ring			
260	1			1812-2076-01	Fjäderlänkarm	Spring link			
300	3			1812-2410-01	Fjäder	Extension spring			
310	1			1812-1751-01	Mellanaxel m.drev	Intermed. sprocket			
320	2			9699-0038-02	Planbricka	Flat washer			
330	1			1812-1713-01	Axel- svängplatta	Axle- swing plate			
340	1			1812-1863-01	Hjulaxel	Axle shaft			
350	1			9988-3545-12	Skruv	Screw			
420	1			1812-1712-01	Kedjedrev	Sprocket			
430	2			1812-1724-01	Lager	Axle bearing			
440	1			1812-1750-01	Sextantsaxel	Hex shaft			
450	1			1812-1313-01	Lager	Trunion bearing			
460	1			1812-9028-01	Friktionshjul	Friction disc wheel			
500	3			9988-3516-16	Skruv	Screw			
510	3			9795-3531-02	Mutter	Nut			
520	1			1812-2380-01	Låsring	Retext ring			
530	1			1812-1674-01	Flänslåsmutter	Flange lock nut			
540	1			1812-1701-01	Svängplatta	Swing plate			
550	1			1812-1739-01	Distans	Spacer			
560	1			1812-1725-01	Friktionsremskiva	Friction pulley			
600	1			1812-1710-01	Växelstång	Shift rod			
610	1			1812-1219-01	Plastbussning	Plastic bushing			
620	2			9743-3521-32	Mutter	Nut			
630	1			9988-3538-12	Skruv	Screw			
640	1			1812-1205-01	Spole	Spool			
650	1			1812-1702-01	Fäste	Bracket			
660	1			1812-1727-01	Reglagewire- nedre	Drive cable- lower			



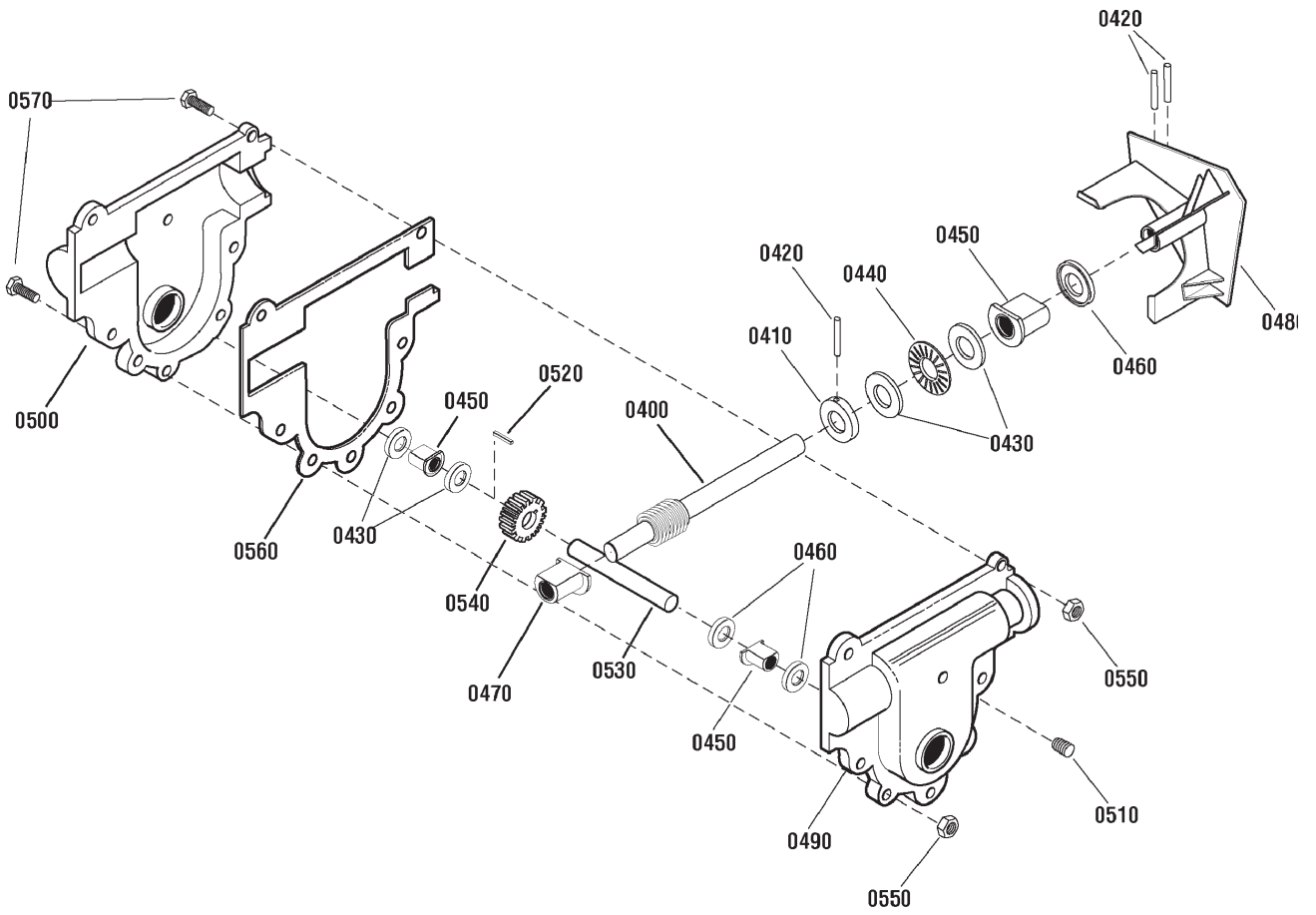
Utgåva Issue 2010-14		Bildnr Picture No 2713A		SNOW BLIZZARD HJUL		SNOW BLIZZARD WHEELS		Sida Page 50	
Pos. Fig.	Antal/Quantity				Art nr Part No	Benämning	Description	Sats Kit	Anmärkning Notes
	2830 -31								
10	1				1812-1952-01	Hjul kpl- vä.....	Wheel assy- LH		4.00/4.80- 8 (16x4") 4.00/4.80- 8 (16x4")
20	1				1812-1951-01	Hjul kpl- hö	Wheel assy- RH		
30	2				1812-2139-01	Låsring	Retaining ring		
40	2				1812-0407-01	Bricka	Washer.....		
50	2				1812-1733-01	Hjulbussning	Wheel bushing		
60	1				1812-1114-01	Bult	Bolt		
70	1				1812-1760-01	Mutter	Nut		
80	1				1812-0408-01	Låssprint	Clik pin		



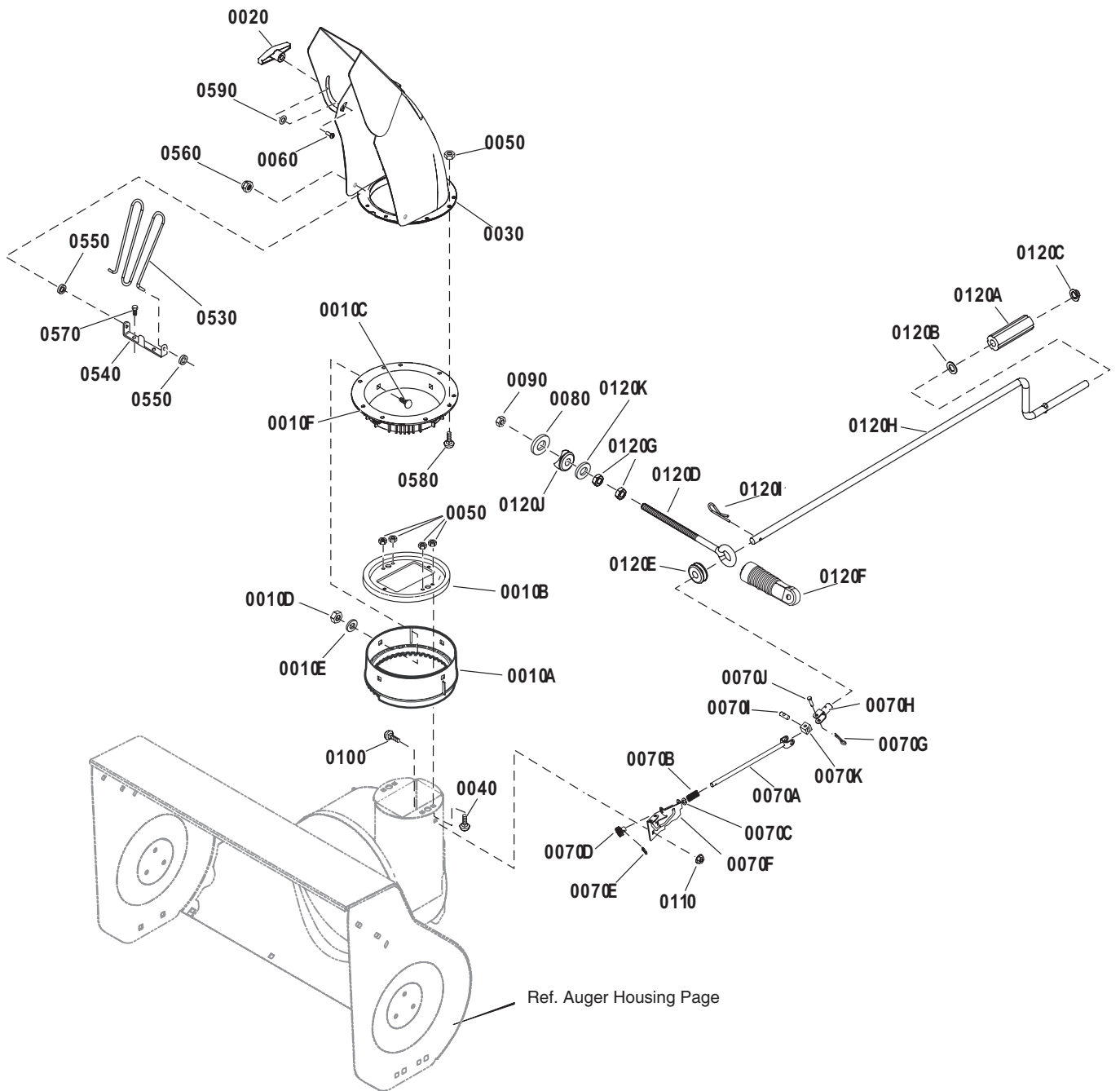
Utgåva Issue		Bildnr Picture No		SNOW BLIZZARD INMATNINGSHUS		SNOW BLIZZARD AUGER HOUSING		Sida Page	
2010-14		2714A						52	
Pos. Fig.	Antal/Quantity				Art nr Part No	Benämning	Description	Sats Kit	Anmärkning Notes
	2830 -31								
10	1				1812-2433-01 Inmatningshus.....	Auger housing.....		27" (69 cm)	
20	2				1812-2413-01 Klämma	Spring clamp.....			
30	2				1812-2480-01 Skruv	Screw.....			
40	2				1812-1912-01 Mutter.....	Nut.....			
60	1				1812-2400-01 Borste.....	Cleanout brush.....			
70	2				1812-0878-01 Lager	Bearing.....			
80	6				9988-3619-16 Skruv.....	Screw.....			
90	4				1812-2487-01 Vagnsbult	Carriage bolt			
100	4				9743-3721-32 Mutter.....	Nut.....			
110	7				9795-3631-02 Mutter.....	Nut.....			
150	2				1812-2425-01 Släpsko.....	Height adjust skid			
160	1				1812-2470-01 Skrapskär	Scraper blade.....			
170	1				1812-1690-01 Kullagerhållare.....	Ball bearing retainer			
180	1				1812-2373-01 Kullager	Ball bearing			
190	3				9899-3622-16 Skruv.....	Screw.....			
200	2				1812-1430-01 Plugg.....	Plug			
210	4				1812-2485-01 Vagnsbult	Carriage bolt			
215	6				9743-3621-32 Mutter.....	Nut.....			



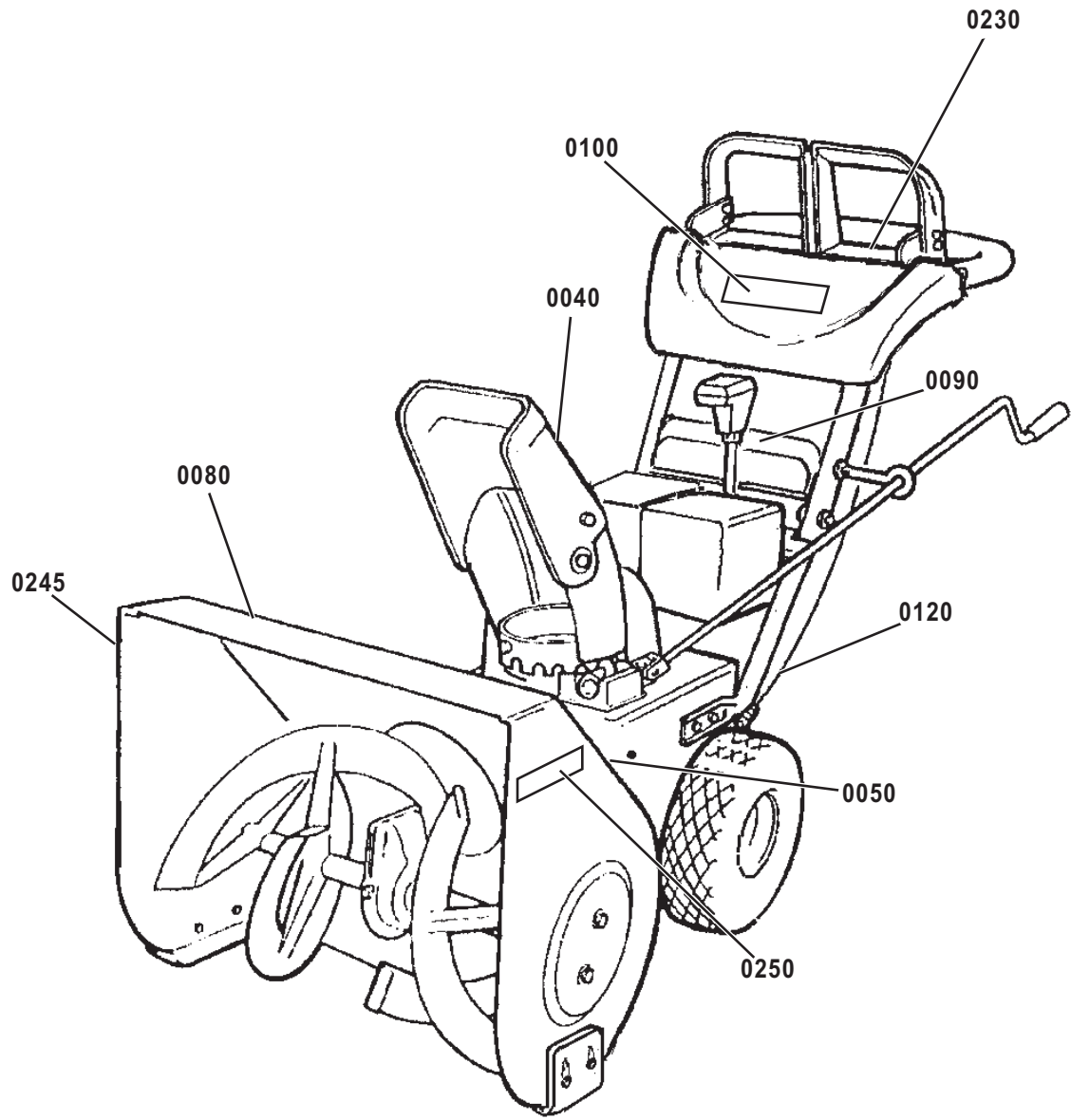
Utgåva Issue 2010-14		Bildnr Picture No 2715A		SNOW BLIZZARD SNÖSKRUV		SNOW BLIZZARD AUGER DRIVE		Sida Page 54	
Pos. Fig.	Antal/Quantity				Art nr Part No	Benämning	Description	Sats Kit	Anmärkning Notes
	2830 -31								
X 220	1				1812-2118-01	Snöskruv- vä.....	Auger- LH.....		
220A	2				1812-2491-01	Smörjnippel	Grease fitting.....		
230	1				1812-2117-01	Snöskruv- hö	Auger- RH		
240	1				1812-9005-01	Brytbultsats	Shear bolt kit.....		
250	2				1812-0531-01	• Distans	• Spacer		
260	2				1812-0812-01	• Låsmutter	• Locking nut		
270	1				1812-1739-01	Distans	Spacer		
280	1				1812-1609-01	Kil	Key		
290	1				1812-1854-01	Remskiva- snöskruv	Auger pulley		
580	2				1812-1119-01	Skruv	Bolt		
600	1				1812-2442-01	Snäckväxel kpl	Gear case assy		



Utgåva Issue 2010-14		Bildnr Picture No 2716A		SNOW BLIZZARD SNÄCKVÄXEL		SNOW BLIZZARD GEAR CASE		Sida Page 56	
Pos. Fig.	Antal/Quantity				Art nr Part No	Benämning	Description	Sats Kit	Anmärkning Notes
	2830 -31								
400	1				1812-1853-01	Ingående axel	Input shaft.....		
410	1				1812-1321-01	Distans	Thrust collar.....		
420	3				1133-0395-01	Stift.....	Roll pin		
430	4				1812-0857-01	Bricka	Thrust washer.....		
440	1				1812-0285-01	Nållager	Needle bearing		
450	3				1812-1360-01	Flänslager	Flange bearing.....		
460	3				1812-0881-01	Tätningring	Oil seal		
470	1				1812-1359-01	Bussning	Bushing.....		
480	1				1812-2467-01	Fläkt.....	Impeller.....		
490	1				1812-0908-01	Snäckväxelhus- vä	Gear case- LH.....		
500	1				1812-0909-01	Snäckväxelhus- hö	Gear case- RH.....		
510	1				1812-0856-01	Skruv	Screw.....		
520	1				1812-1371-01	Kil	Woodruff key		
530	1				1812-2086-01	Snöskruvaxel	Auger shaft		
540	1				1812-0862-01	Snäckdrev.....	Worm gear		
550	7				1812-1758-01	Mutter.....	Nut		
560	1				1812-1361-01	Packning.....	Gasket		
570	7				9988-3519-16	Skruv	Screw.....		



Utgåva Issue		Bildnr Picture No		SNOW BLIZZARD UTKAST		SNOW BLIZZARD DISCHARGE CHUTE		Sida Page	
2010-14		2717A						58	
Pos. Fig.	Antal/Quantity				Art nr Part No	Benämning	Description	Sats Kit	Anmärkning Notes
	2830								
	-31								
10A	1			1812-1787-01	Utkastring- yttre.....	Retainer ring- outer.....			
10B	1			1812-1983-01	Utkastplatta	Chute rotate collar.....			
10C	4			9899-3625-16	Skruv.....	Screw.....			
10D	4			9743-3621-32	Mutter.....	Nut.....			
10E	4			9699-0029-02	Planbricka.....	Flat washer.....			
10F	1			1812-2472-01	Ring- inre.....	Chute ring- inner.....			
20	1			1812-1928-01	Låsraff.....	Wing knob.....			
30	1			1812-2406-01	Utkast.....	Chute assy.....			
40	8			1812-2486-01	Vagnsbult.....	Carriage bolt.....			
50	8			9743-3521-32	Mutter.....	Nut.....			
60	1			1812-1678-01	Vagnsbult.....	Carriage bolt.....			
70	1			1812-2367-01	Inställn.vev- undre.....	Gear/yoke rod- lower.....			Inkl. pos 70A- 70K
70A	1			1812-1826-01	• Gaffelstäng.....	• Yoke and rod.....			
70B	1			1812-1761-01	• Fjäder.....	• Spring.....			
70C	1			1812-2108-01	• Bricka.....	• Washer.....			
70D	1			1812-1706-01	• Drev.....	• Gear.....			
70E	1			1812-1791-01	• Låsnål.....	• Hair pin.....			
70F	1			1812-2356-01	• Fäste.....	• Support.....			
70G	1			9599-0033-00	• Saxsprint.....	• Split pin.....			
70H	1			1812-1708-01	• Gaffel.....	• Yoke adapter.....			
70I	1			1812-1316-01	• Axel.....	• Universal pin.....			
70J	1			1812-1318-01	• Sprint.....	• Clevis pin.....			
70K	1			1812-1317-01	• Ledknut.....	• Universal pivot block.....			
80	1			9699-0035-02	Planbricka.....	Flat washer.....			
90	1			9743-3721-32	Mutter.....	Nut.....			
100	1			1812-1831-01	Skruv.....	Screw.....			
110	1			1812-1760-01	Mutter.....	Nut.....			
120	1			1812-2457-01	Inställn.vev- övre kpl.....	Rod- upper assy.....			Inkl. pos 120A- 120K
120A	1			1812-1168-01	• Handtag.....	• Handle.....			
120B	2			1812-1171-01	• Bricka.....	• Washer.....			
120C	1			1812-1483-01	• Låsning.....	• Retainer.....			
120D	1			1812-1821-01	• Öglebult.....	• Eye bolt.....			
120E	1			1812-0203-01	• Hylsa.....	• Grommet.....			
120F	1			1812-1822-01	• Hylsa- öglebult.....	• Boot- eye bolt.....			
120G	2			9743-3721-32	• Mutter.....	• Nut.....			
120H	1			1812-1707-01	• Inställningsvev.....	• Chute crank.....			
120I	1			1812-1511-01	• Låsstift.....	• Hair pin.....			
120J	2			1812-1172-01	• Adapter.....	• Boot adaptor.....			
120K	1			9699-0035-02	• Planbricka.....	• Flat washer.....			
530	1			1812-2381-01	Utkastskydd.....	Chute guard.....			
540	1			1812-2416-01	Fäste.....	Chute guard brkt.....			
550	2			1812-2426-01	Hylsa.....	Grommet.....			
560	2			1812-2478-01	Snabbmutter.....	Push nut.....			
570	2			1812-2473-01	Skruv.....	Screw.....			
580	4			1812-2486-01	Vagnsbult.....	Carriage bolt.....			
590	2			1812-2278-01	Nylonbricka.....	Nylon washer.....			





Utgåva Issue 2010-14		Bildnr Picture No 2785		SNOW BLIZZARD DEKALER		SNOW BLIZZARD LABELS		Sida Page 60	
Pos. Fig.	Antal/Quantity				Art nr Part No	Benämning	Description	Sats Kit	Anmärkning Notes
	2830 -31								
X 1	1				1812-2701-01	Dekalsats	Label kit		Inkl. pos 40-250