

Genuine Spare Parts

www.stiga.com

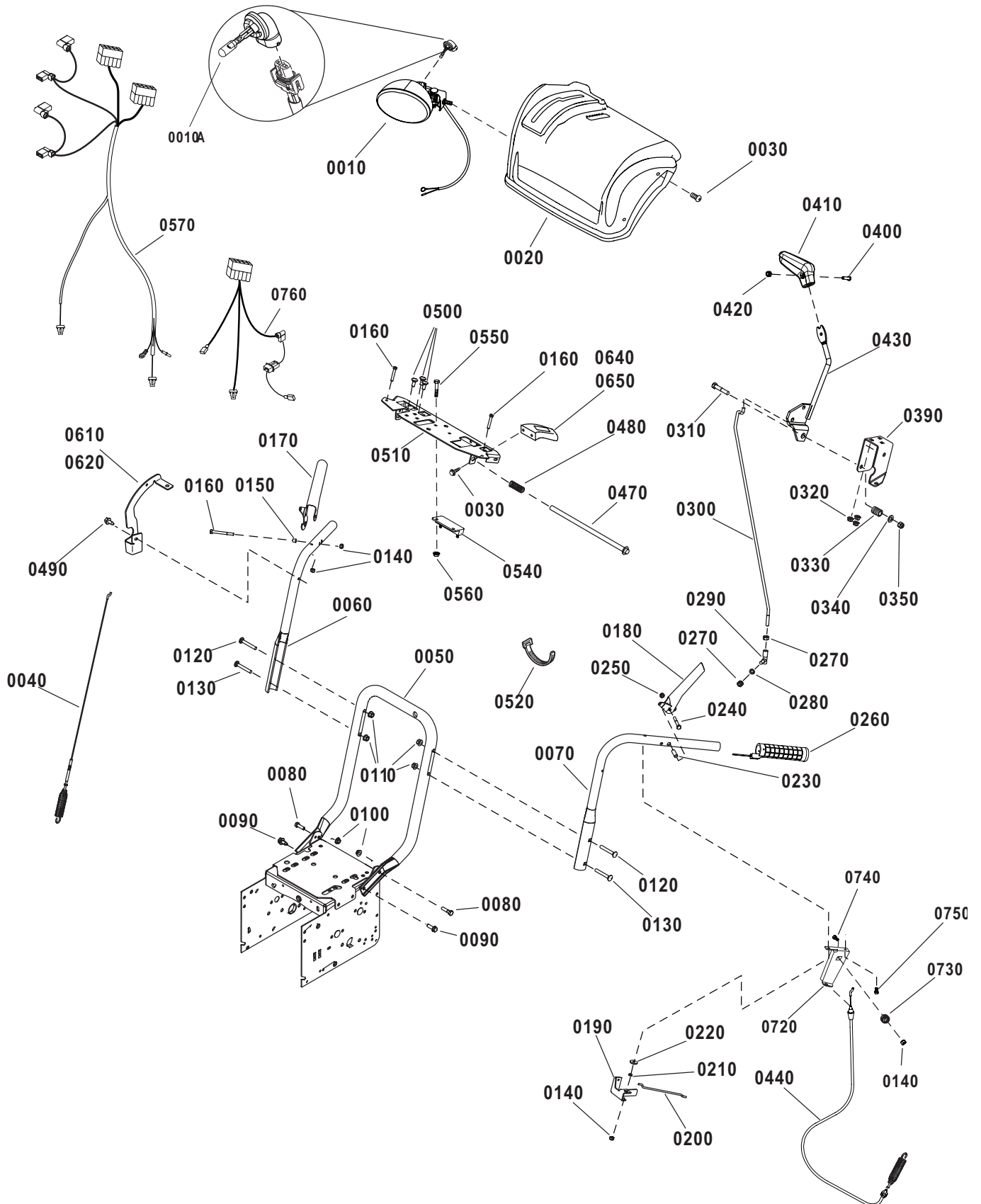
1171 HST-1381 HST Model Year 2010/2011

- Use GLOBAL GARDEN PRODUCT Genuine Spare Parts specified in the parts list for repair and/or replacement.
- The contents described in the parts list may change due to improvement.
- The drawings of the spare parts are only indicative and might not represent the part in question exactly.
- The indications "right" - "left" - "front" - "rear" refer to the position of the operator when using the machine.
- When placing orders of parts for repair and/or replacement, make sure that the illustrated parts list is the one applying to the machine's year of manufacture, as shown on the identification plate attached to the machine.

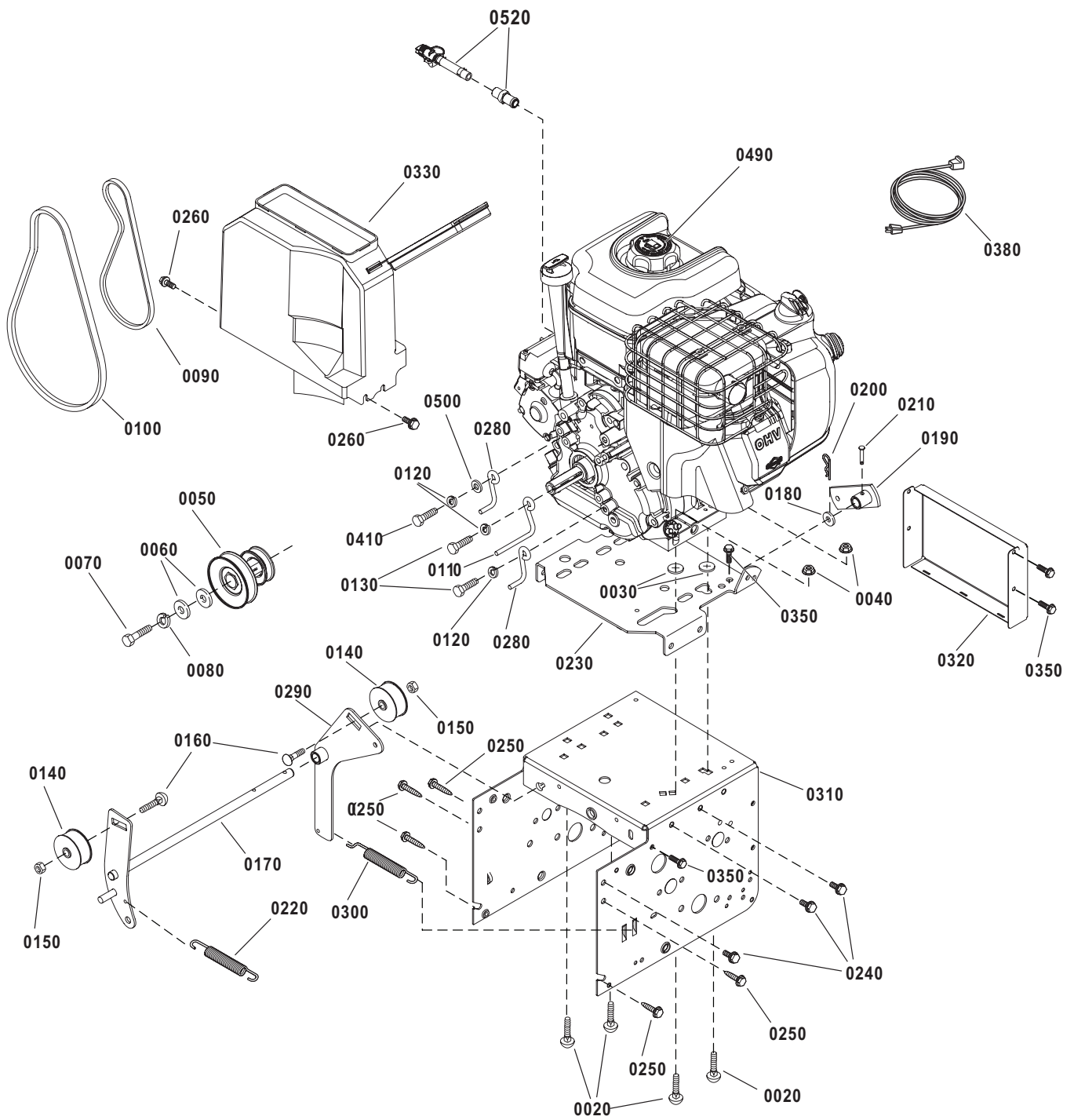
COPYRIGHT by GLOBAL GARDEN PRODUCTS

All rights reserved. No part of this material may be reproduced or transmitted, in any form or by any means, electronic or mechanical, including photocopying, recording or by any information storage and retrieval system, without permission in writing from GLOBAL GARDEN PRODUCTS.

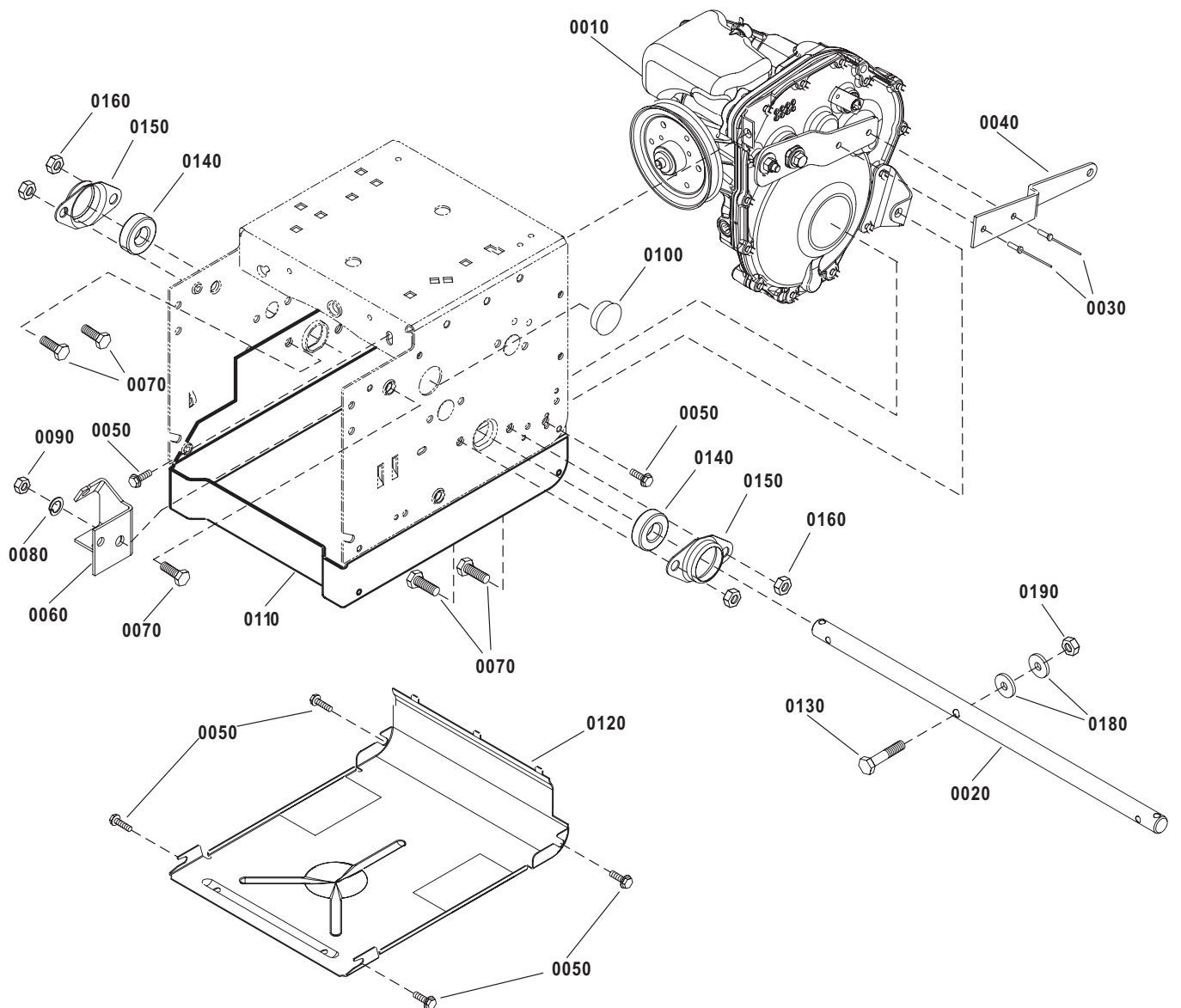




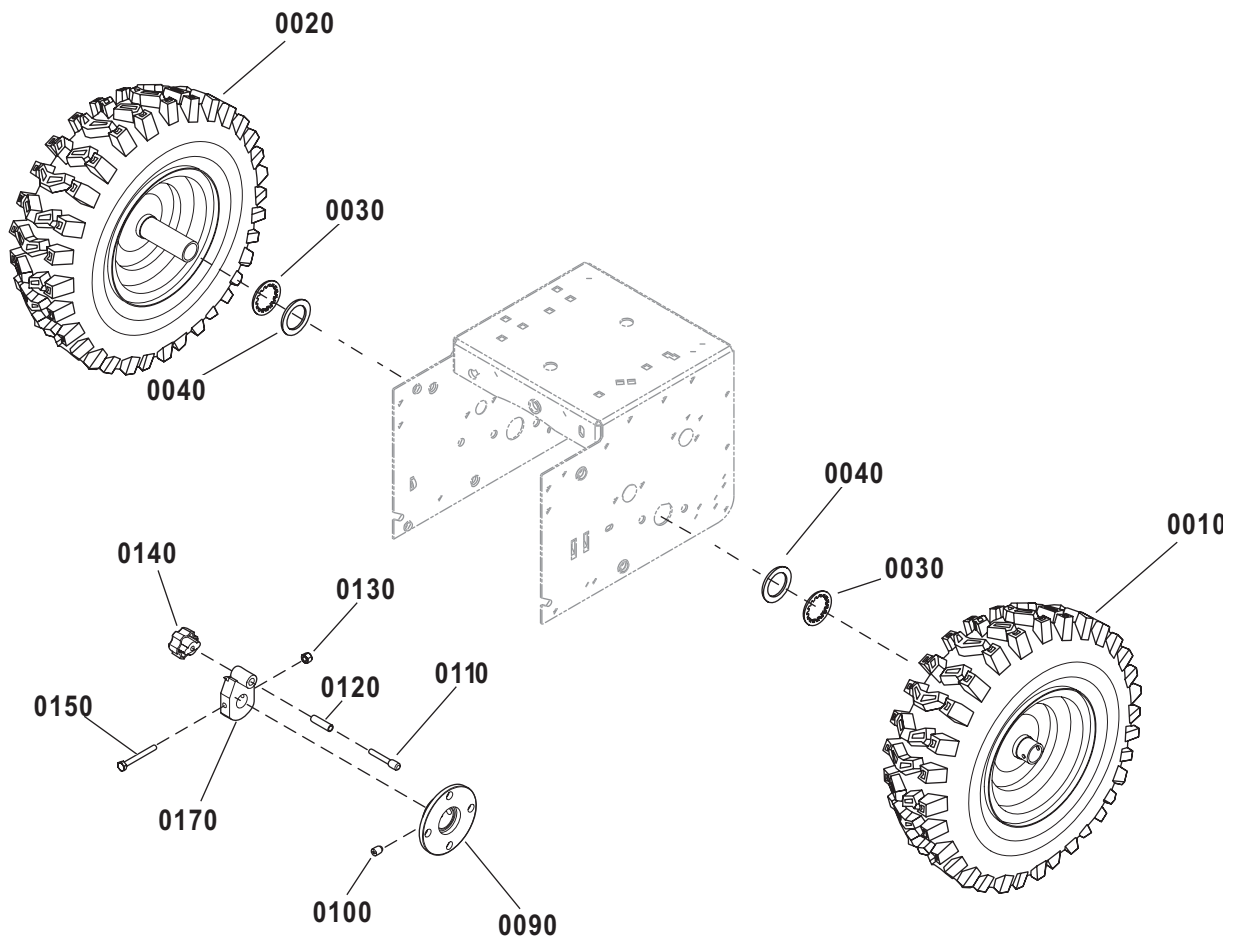
Utgåva Issue 2010-14		Bildnr Picture No 2735A		1171HST- 1381HST STYRE REGLAGE		1171HST- 1381HST HANDLE CONTROLS		Sida Page 84	
Pos. Fig.	Antal/Quantity				Art nr Part No	Benämning	Description	Sats Kit	Anmärkning Notes
	2851 -31	2852 -31							
X	10	1	1		1812-2548-01	Strålkastare kpl.....	Headlight assy.....		12V, 27W
	10A	1	1		1812-1909-01	• Halogenlampa.....	• Halogene bulb		
X	20	1	1		1812-2629-01	Panel	Panel cover		
	30	6	6		1812-2265-01	Skruv.....	Screw.....		
	40	1	1		1812-2183-01	Reglagewire- snöskruv	Auger drive cable		
	50	1	1		1812-2419-01	Styre- underdel	Handle- lower		
	60	1	1		1812-2317-01	Styre överdel- hö	Handle upper- RH.....		
	70	1	1		1812-2316-01	Styre överdel- vä.....	Handle upper- LH.....		
	80	2	2		9988-3625-16	Skruv.....	Screw.....		
	90	2	2		1812-2141-01	Skruv.....	Screw.....		
	100	2	2		9727-3641-22	Mutter.....	Nut		
	110	4	4		9743-3621-32	Mutter.....	Nut		
	120	2	2		1812-2479-01	Vagnsbult	Carriage bolt		
	130	2	2		1812-2476-01	Vagnsbult	Carriage bolt		
	140	5	5		9743-3521-32	Mutter.....	Nut		
	150	2	2		1812-2148-01	Distans	Spacer		
	160	4	4		9988-3545-12	Skruv.....	Screw.....		
X	170	1	1		1812-2606-01	Koppl.reglage- hö	Clutch lever- RH		
X	180	1	1		1812-2605-01	Koppl.reglage- vä.....	Clutch lever- LH.....		
	190	1	1		1812-2231-01	Fäste	Bracket.....		
	200	1	1		1812-2404-01	Stång	Hold down rod		
	210	1	1		1812-2206-01	Distans	Spacer		
	220	1	1		9699-0026-02	Planbricka.....	Flat washer.....		
	230	2	2		1812-2412-01	Distans	Stepped spacer		
X	240	2	2		1812-2623-01	Ansatsbult	Shoulder bolt		
	250	2	2		1812-2256-01	Mutter.....	Nut		
X	260	2	2		1812-2549-01	Värmehandtag	Heated hand grip.....		
	270	2	2		9794-5131-02	Mutter.....	Nut		
	280	1	1		9683-0030-02	Låsbricka.....	Lock washer.....		
X	290	1	1		1812-2562-01	Kulled	Ball joint.....		
	300	1	1		1812-2311-01	Reglagestång.....	Control rod.....		
	310	1	1		9988-3751-12	Skruv.....	Screw.....		
	320	3	3		9727-3641-22	Mutter.....	Nut		
	330	1	1		1812-0304-01	Fjäder.....	Spring		
	340	1	1		9699-0029-02	Planbricka.....	Flat washer.....		
	350	1	1		9743-3721-32	Mutter.....	Nut		
	390	1	1		1812-2417-01	Fäste	Controls brkt.....		
	400	1	1		1812-2481-01	Skruv.....	Screw.....		
	410	1	1		1812-2379-01	Knopp.....	Knob		
	420	2	2		1812-2256-01	Mutter.....	Nut		
	430	1	1		1812-2226-01	Spak- HST.....	Hydro control lever		
	440	1	1		1812-2227-01	Reglagewire- HST	Hydro drive cable		
	470	1	1		1812-2233-01	Stång	Rod		
	480	2	2		1812-2268-01	Tryckfjäder.....	Comp spring		
	490	2	2		1812-2250-01	Skruv.....	Screw.....		
	500	3	3		9899-3625-16	Skruv.....	Screw.....		
X	510	1	1		1812-2575-01	Panelfäste.....	Dash support		
	520	5	5		1812-2371-01	Buntband	Self lock tie		
	540	1	1		1812-2165-01	Motstånd	Resistor block.....		
	550	1	1		1812-2486-01	Vagnsbult	Carriage bolt		
	560	1	1		9795-3531-02	Mutter.....	Nut		
X	570	1	1		1812-2630-01	Kablage.....	Wiring harness.....		
X	610	1	1		1812-2599-01	Fäste- hö.....	Mounting brkt- RH		
X	620	1	1		1812-2600-01	Fäste- vä	Mounting brkt- LH.....		
X	640	1	1		1812-2573-01	Brytarfäste- hö.....	Chute rotation pod- RH		
X	650	1	1		1812-2574-01	Brytarfäste- vä	Defl. control pod- LH.....		
	720	1	1		1812-2218-01	Fäste	Bracket.....		
	730	1	1		1812-1205-01	Spole	Spool		
	740	1	1		9899-3538-16	Skruv.....	Screw.....		
	750	1	1		1812-2166-01	Skruv.....	Screw.....		
X	760	1	1		1812-2631-01	Kablage- handtag	Harness- hand grip.....		
X	999	1	1		8218-2222-99	Bruksanvisning	Owner's manual	Ej ill/not ill.	



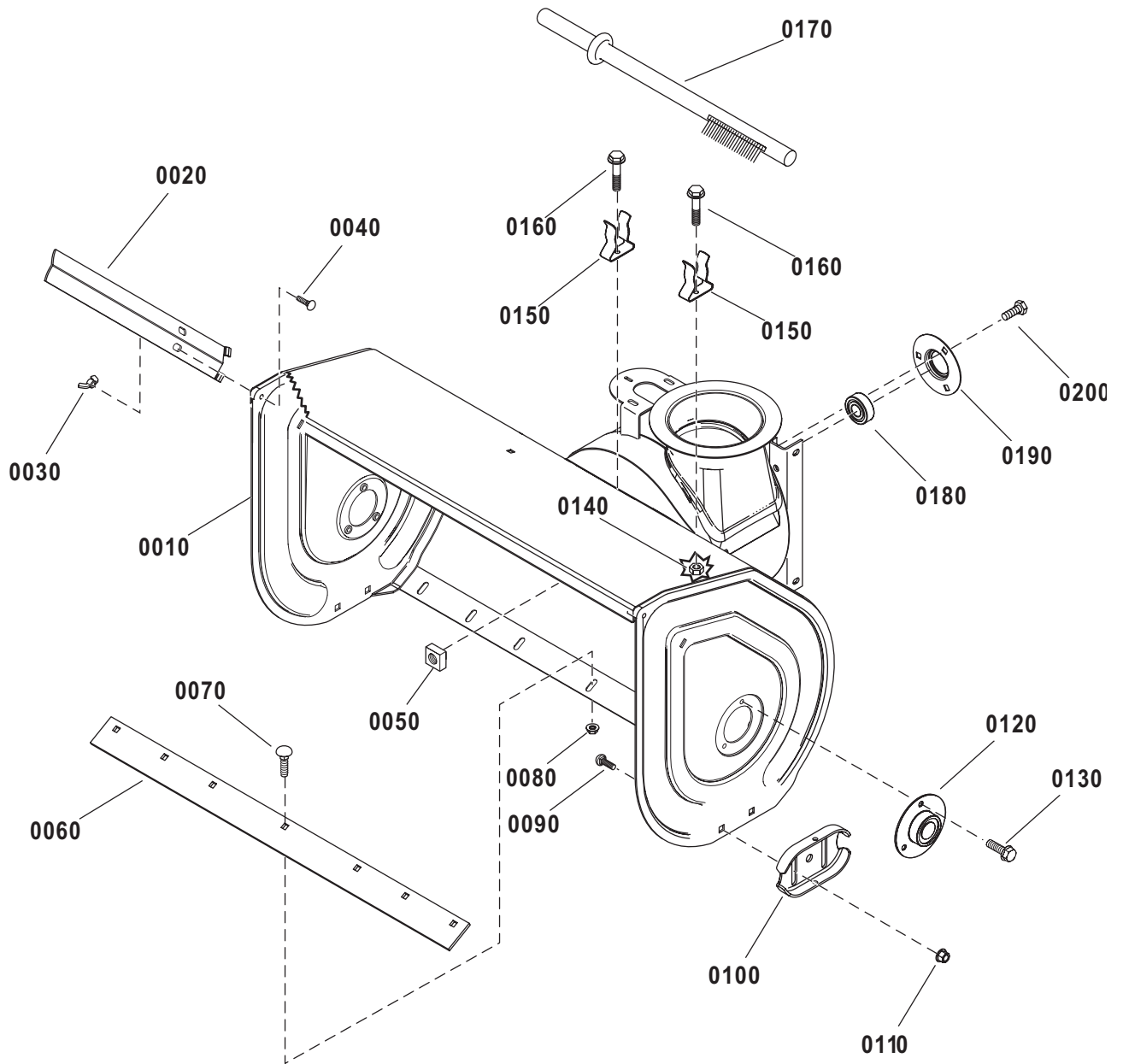
Utgåva Issue 2010-14		Bildnr Picture No 2736A		1171HST- 1381HST RAM MOTOR		1171HST- 1381HST FRAME ENGINE		Sida Page 86	
Pos. Fig.	Antal/Quantity			Art nr Part No	Benämning	Description	Sats Kit	Anmärkning Notes	
	2851 -31	2852 -31							
	20	4	4	1812-1678-01	Vagnsbult	Carriage bolt			
	30	4	4	1812-1681-01	Hållare	Retainer			
	40	4	4	9743-3621-32	Mutter	Nut			
	50	1	1	1812-1719-01	Motorremskiva	Engine pulley			
	60	2	2	9699-0029-02	Planbricka	Flat washer			
	70	1	1	9987-5232-16	Bult	Bolt			
	80	1	1	9683-0035-02	Låsbricka	Lock washer			
	90	1	1	1812-2219-01	Kilrem- drivning	Belt- traction drive			
	100	1	1	1812-2409-01	Kilrem- snöskruv	Belt- auger			
	110	1	1	1812-2443-01	Remstyrning	Belt guide			
	120	3	3	9683-0030-02	Låsbricka	Lock washer			
	130	3	3	9987-5119-16	Skruv	Screw			
	140	2	2	1812-2077-01	Spännrulle	Tension roller			
	150	2	2	9743-3721-32	Mutter	Nut			
	160	2	2	9899-3732-16	Skruv	Screw			
	170	1	1	1812-1747-01	Spännarm	Idler			
	180	1	1	9699-0038-02	Planbricka	Flat washer			
	190	1	1	1812-2308-01	Reglagearm	Control arm			
	200	1	1	1812-1511-01	Låsstift	Hair pin			
	210	1	1	1812-2407-01	Sprint	Clevis pin			
	220	1	1	1812-1676-01	Fjäder	Tension spring			
	230	1	1	1812-2234-01	Motorplatta	Engine mount plate			
	240	4	4	1812-2249-01	Skruv	Screw			
	250	6	6	1812-2141-01	Skruv	Screw			
	260	2	2	1812-1680-01	Skruv	Screw			
	280	2	2	1812-2203-01	Remstyrning	Belt stop			
	290	1	1	1812-1810-01	Spännarm	Idler bracket			
	300	1	1	1812-1762-01	Fjäder	Clutch spring			
	310	1	1	1812-2454-01	Motorchassi	Frame box			
	320	1	1	1812-2455-01	Bakre plåt	Back panel			
	330	1	1	1812-2184-01	Remskydd	Belt cover			
X	330		1	1812-2611-01	Remskydd	Belt cover			
	350	8	8	1812-2250-01	Skruv	Screw			
	380	1	1	1812-1615-01	Förlängningssladd	Extension cord			
	410	1	1	9987-5125-16	Skruv	Screw			
	490	1	1	1812-2362-01	Tanklock	Gas cap			
X	500	1	1	1812-2657-01	Bricka	Flat washer			
X	520	1	1	1812-2496-01	Slang- oljeavtappning	Oil drain hose assy			



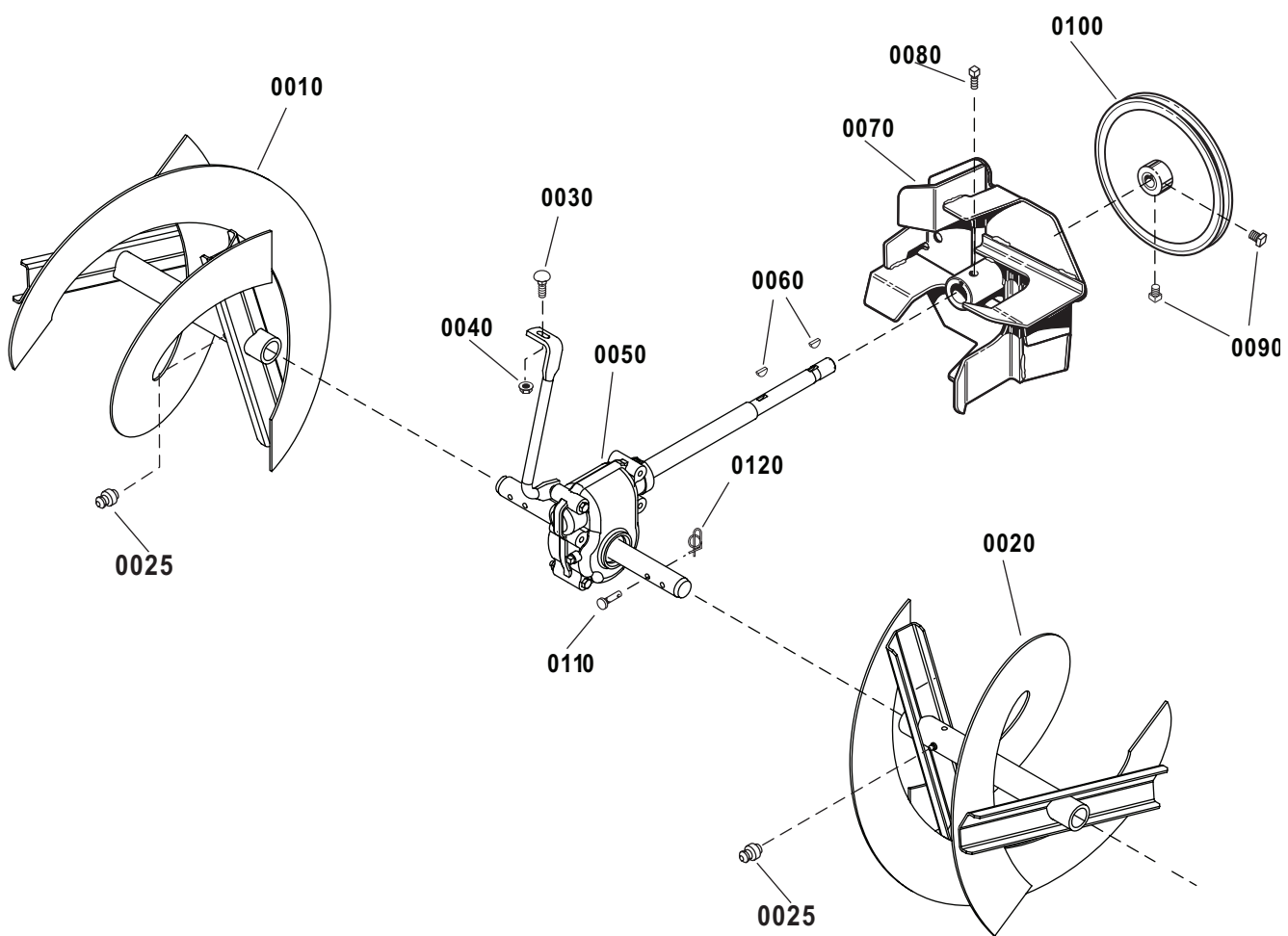
Utgåva Issue 2010-14		Bildnr Picture No 2737		1171HST- 1381HST DRIVNING		1171HST- 1381HST TRACTION DRIVE		Sida Page 88	
Pos. Fig.	Antal/Quantity			Art nr Part No	Benämning	Description	Sats Kit	Anmärkning Notes	
	2851 -31	2852 -31							
10	1	1		1812-2366-01	Transmission kpl	Transmission assy		Hydro Gear 314-0410	
20	1	1		1812-2368-01	Axel	Axle			
30	2	2		1812-2260-01	Popnit	Pop rivet			
40	1	1		1812-1806-01	Reglagearm	Control extension arm			
50	6	6		1812-2250-01	Skruv	Screw			
60	1	1		1812-1803-01	Fäste	Drive cable bracket			
70	5	5		9988-3719-16	Skruv	Screw			
80	1	1		9683-0035-02	Låsbricka	Lock washer			
90	1	1		9743-3721-32	Mutter	Nut			
100	1	1		1812-1825-01	Plugg	Plug			
110	1	1		1812-2456-01	Ram	Frame			
120	1	1		1812-2450-01	Bottenplåt	Bottom panel			
130	1	1		1812-1755-01	Skruv	Screw			
140	2	2		1812-1920-01	Kullager	Ball bearing			
150	2	2		1812-1919-01	Lagerhållare	Bearing retainer			
160	4	4		9743-3721-32	Mutter	Nut			
180	1	1		1812-2248-01	Bricka	Washer			
190	1	1		9743-3621-32	Mutter	Nut			



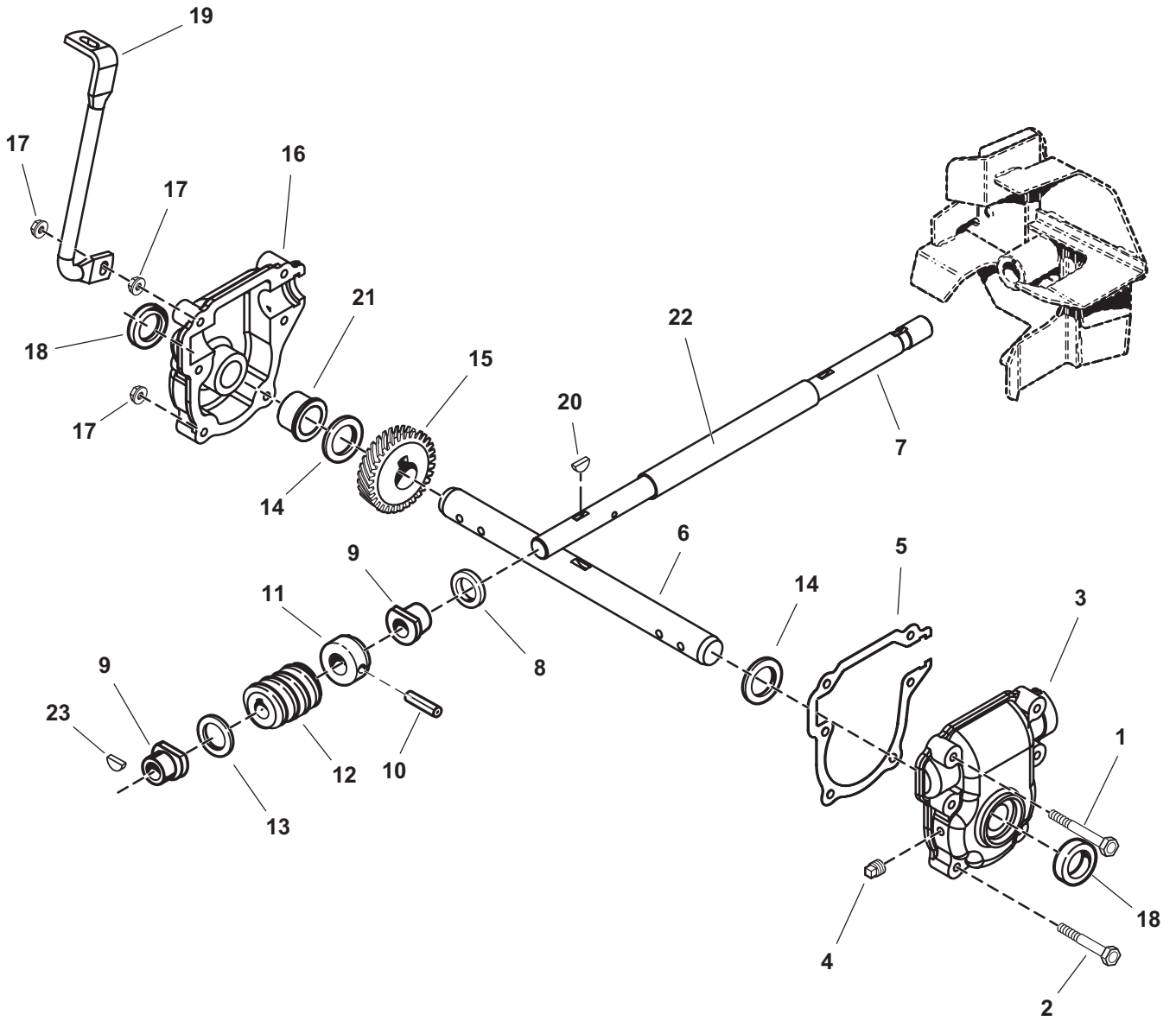
Utgåva Issue 2010-14		Bildnr Picture No 2738A		1171HST- 1381HST HJUL		1171HST- 1381HST WHEELS		Sida Page 90	
Pos. Fig.	Antal/Quantity			Art nr Part No	Benämning	Description	Sats Kit	Anmärkning Notes	
	2851 -31	2852 -31							
10	1	1		1812-2201-01	Hjul kpl- vä.....	Wheel assy- LH		16 x 6.50- 8	
20	1	1		1812-2202-01	Hjul kpl- hö	Wheel assy- RH		16 x 6.50- 8	
30	2	2		1812-2139-01	Låsring	Retaining ring			
40	2	2		1812-0407-01	Bricka	Washer.....			
90	2	2		1812-1606-01	Hjultallrik	Wheel disc			
100	4	4		1812-1827-01	Skruv	Screw			
110	2	2		1812-1959-01	• Låssprint.....	• Lock pin			
120	2	2		1812-1589-01	• Fjäder.....	• Compression spring.....			
130	2	2		9743-3521-32	Mutter.....	Nut			
140	2	2		1812-1958-01	• Knopp.....	• Knob			
150	2	2		1812-1756-01	Skruv	Screw			
170	2	2		1812-2121-01	• Nav	• Wheel lock hub			
999	2	2		1812-1982-01	Hjullåsnav kpl	Wheel lock hub kit.....		Inkl. 110,120,140,170	



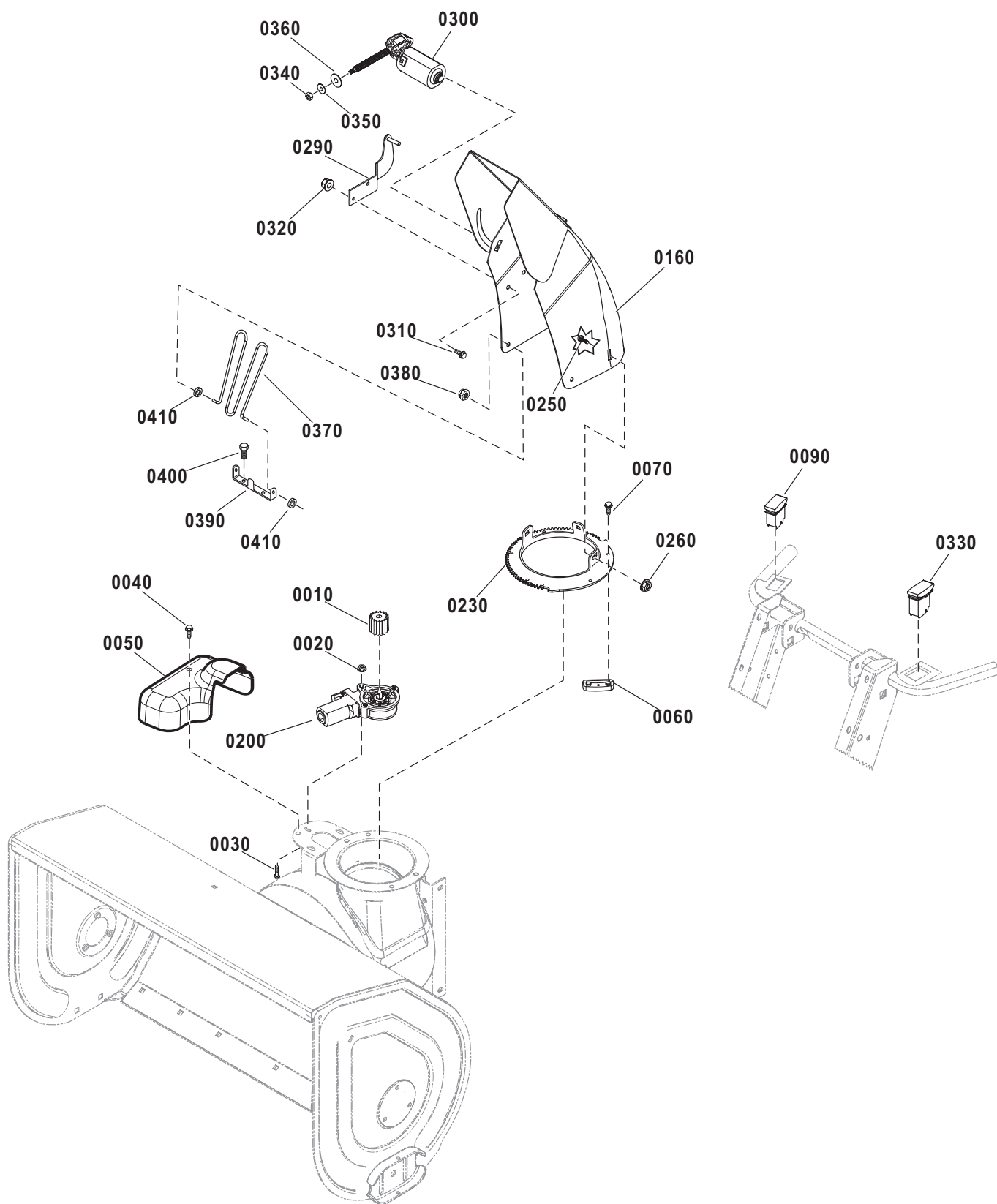
Utgåva Issue 2010-14		Bildnr Picture No 2739		1171HST- 1381HST INMATNINGSHUS		1171HST- 1381HST AUGER HOUSING		Sida Page 92	
Pos. Fig.	Antal/Quantity			Art nr Part No	Benämning	Description	Sats Kit	Anmärkning Notes	
	2851 -31	2852 -31							
X 10		1		1812-2444-01	Inmatningshus.....	Auger housing.....		32" (81 cm) 28" (71 cm)	
10	1			1812-2550-01	Inmatningshus.....	Auger housing.....			
20	2	2		1812-2378-01	Drivskär	Drift cutter.....			
30	2	2		1812-2359-01	Vingmutter.....	Wing nut			
40	2	2		9899-3622-16	Skruv	Screw			
50	3	3		1812-2253-01	Mutter.....	Nut			
60	1			1812-2153-01	Skrapskär	Scraper blade			
60		1		1812-2154-01	Skrapskär	Scraper blade			
70	5	5		1812-2264-01	Vagnsbult	Carriage bolt			
80	5	5		9727-3641-22	Mutter.....	Nut			
90	4	4		9899-3725-16	Skruv	Screw			
100	2	2		1812-2167-01	Släpsko.....	Skid shoe			
110	4	4		1132-0695-01	Mutter.....	Nut			
120	2	2		1812-2318-01	Kullager	Ball bearing			
130	6	6		1812-2141-01	Skruv	Screw			
140	2	2		1812-1912-01	Mutter.....	Nut			
150	2	2		1812-2413-01	Klämma	Spring clamp.....			
160	2	2		1812-2480-01	Skruv	Screw			
170	1	1		1812-2400-01	Borste.....	Cleanout brush.....			
180	1	1		1812-2346-01	Lager	Greased bearing.....			
190	1	1		1812-2142-01	Lagerhållare.....	Bearing retainer.....			
200	3	3		1812-2267-01	Skruv	Screw			



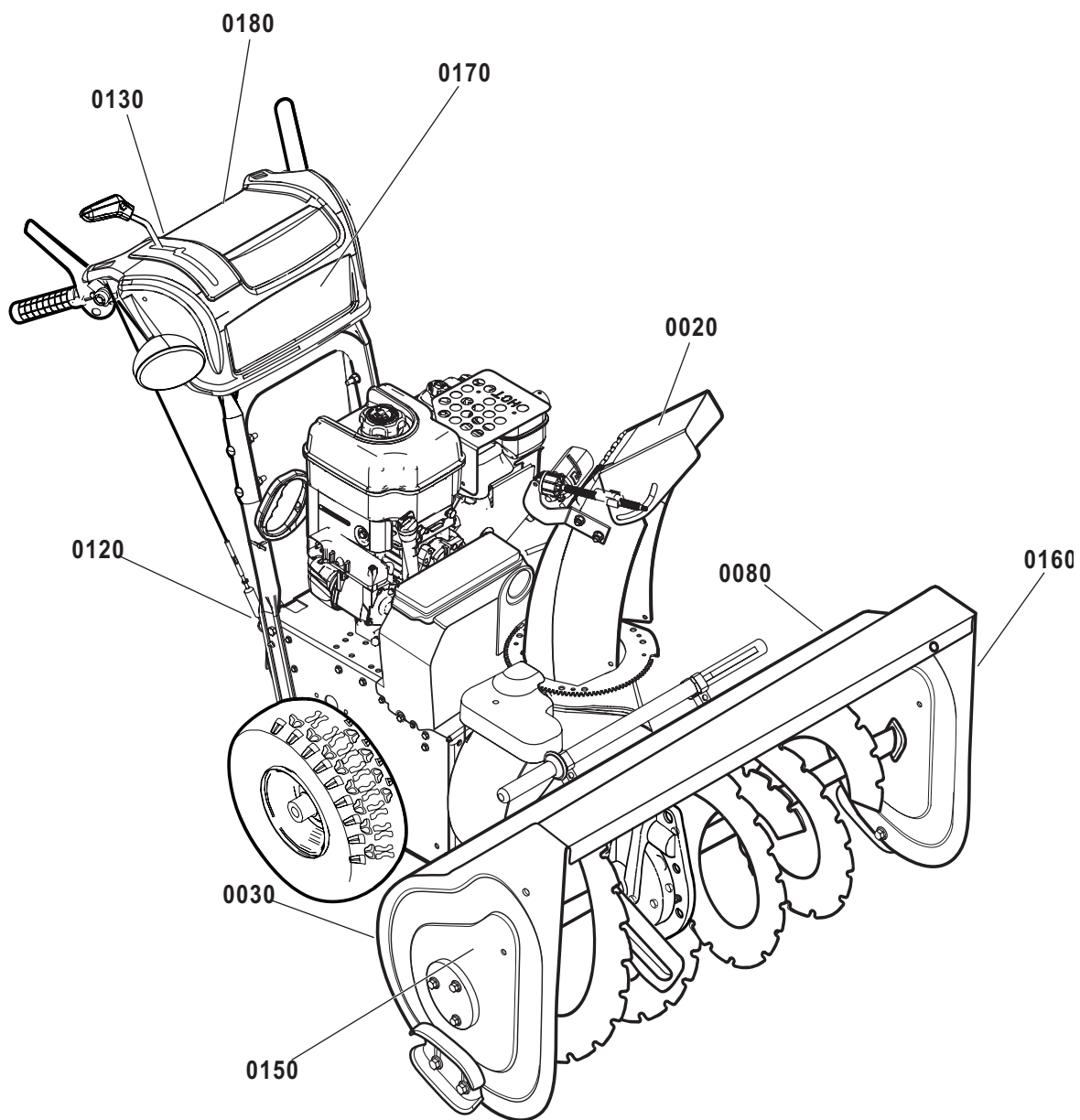
Utgåva Issue 2010-14		Bildnr Picture No 2740A		1171HST- 1381HST SNÖSKRUV		1171HST- 1381HST AUGER DRIVE		Sida Page 94	
Pos. Fig.	Antal/Quantity			Art nr Part No	Benämning	Description	Sats Kit	Anmärkning Notes	
	2851 -31	2852 -31							
X 10		1		1812-2324-01	Snöskruv- hö	Auger- RH			
X 10	1			1812-2512-01	Snöskruv- hö	Auger- RH			
X 20		1		1812-2323-01	Snöskruv- vä.....	Auger- LH			
X 20	1			1812-2513-01	Snöskruv- vä.....	Auger- LH			
X 25	2	2		1812-2646-01	Smörjnippel	Lube fitting.....			
30	1	1		9899-3625-16	Skruv	Screw			
40	1	1		9727-3641-22	Mutter	Nut			
50	1	1		1812-2175-01	Snäckväxel kpl	Gearbox assy			
60	2	2		1812-2274-01	Kil	Key			
70	1	1		1812-2137-01	Fläkt.....	Impeller.....			
80	1	1		1812-2262-01	Skruv	Screw			
90	2	2		1812-2251-01	Skruv	Screw			
100	1	1		1812-2174-01	Remskiva.....	Pulley.....			
110	1	1		1812-9029-01	Brytbultsats	Shear bolt kit.....		Sats 2 st/kit of 2	
120	2	2		1812-2281-01	• Låsnål	• Cotter pin			



Utgåva Issue 2010-14		Bildnr Picture No 2186		1171HST- 1381HST SNÄCKVÄXEL		1171HST- 1381HST GEAR CASE		Sida Page 96	
Pos. Fig.	Antal/Quantity				Art nr Part No	Benämning	Description	Sats Kit	Anmärkning Notes
	2851 -31	2852 -31							
1	1	1			9988-3564-12	Skruv	Screw		L = 64 mm L = 57 mm
2	5	5			9988-3557-12	Skruv	Screw		
3	1	1			1812-2132-01	Växelhus- vä	Gear case- LH		
4	1	1			1812-2146-01	Plugg	Plug		
5	1	1			1812-2130-01	Packning	Gasket		
6	1	1			1812-2181-01	Axel	Auger shaft		
7	1	1			1812-2173-01	Axel	Worm shaft		
8	1	1			1812-2128-01	Tätningring	Oil seal		
9	2	2			1812-2136-01	Flänsbussning	Flange bushing		
10	1	1			1812-2277-01	Stift	Drive lock pin		
11	1	1			1812-2131-01	Hylsa	Thrust collar		
12	1	1			1812-2135-01	Snäckskruv	Worm		
13	1	1			1812-2271-01	Tryckbricka	Thrust washer		
14	2	2			1812-2270-01	Tryckbricka	Thrust washer		
15	1	1			1812-2134-01	Snäckdrev	Worm gear		
16	1	1			1812-2133-01	Växelhus- hö	Gear case- RH		
17	7	7			9743-3521-32	Mutter	Nut		
18	2	2			1812-2269-01	Tätningring	Seal		
19	1	1			1812-2172-01	Stag	Bracket		
20	1	1			1812-2274-01	Kil	Key		
21	2	2			1812-2198-01	Bussning	Bushing		
22	1	1			1812-2129-01	Rör	Tube		
23	1	1			1812-2276-01	Kil	Key		



Utgåva Issue		Bildnr Picture No		1171HST- 1381HST UTKAST		1171HST- 1381HST DISCHARGE CHUTE		Sida Page	
2010- 14		2741						98	
Pos. Fig.	Antal/Quantity			Art nr Part No	Benämning	Description	Sats Kit	Anmärkning Notes	
	2851 -31	2852 -31							
10	1	1		1812-2375-01	Drev.....	Pinion.....		Ej ill/not ill.	
20	3	3		1812-2482-01	Mutter.....	Nut.....			
30	3	3		1812-2279-01	Skruv.....	Screw.....			
40	1	1		1812-2474-01	Skruv.....	Screw.....			
50	1	1		1812-2415-01	Lock.....	Cover.....			
60	3	3		1812-2280-01	Hållare.....	Retainer.....			
70	6	6		1812-2257-01	Skruv.....	Screw.....			
80	1	1		1812-2371-01	Buntband.....	Self lock tie.....			
90	1	1		1812-2430-01	Brytare.....	Switch, chute rotate.....			
160	1	1		1812-2427-01	Utkast.....	Chute.....			
200	1	1		1812-2374-01	Motor.....	Motor, spout rotator.....			
230	1	1		1812-2422-01	Ringdrev.....	Chute gear.....			
250	3	3		1812-2486-01	Vagnsbult.....	Carriage bolt.....			
260	3	3		9743-3521-32	Mutter.....	Nut.....			
290	1	1		1812-2435-01	Stag.....	Bracket.....			
300	1	1		1812-2421-01	Motor.....	Motor, chute deflect.....			
310	2	2		1812-2265-01	Skruv.....	Screw.....			
320	2	2		9743-3521-32	Mutter.....	Nut.....			
330	1	1		1812-2429-01	Brytare.....	Switch, deflector.....			
340	1	1		1812-2432-01	Mutter (vä- gängad).....	Nut (left hand).....			
350	1	1		1812-2484-01	Bricka.....	Washer.....			
360	1	1		1812-2431-01	Gummibricka.....	Rubber washer.....			
370	1	1		1812-2381-01	Utkastskydd.....	Chute guard.....			
380	2	2		1812-2478-01	Snabbmutter.....	Push nut.....			
390	1	1		1812-2416-01	Fäste.....	Chute guard brkt.....			
400	2	2		1812-2473-01	Skruv.....	Screw.....			
410	2	2		1812-2426-01	Hylsa.....	Grommet.....			



Utgåva Issue 2010-14		Bildnr Picture No 2787		1171HST- 1381HST DEKALER		1171HST- 1381HST LABELS		Sida Page 100	
Pos. Fig.	Antal/Quantity				Art nr Part No	Benämning	Description	Sats Kit	Anmärkning Notes
	2851 -31	2852 -31							
X	1	1			1812-2704-01	Dekalsats	Label kit		Inkl. pos 20-180
X	1		1		1812-2705-01	Dekalsats	Label kit		Inkl. pos 20-180