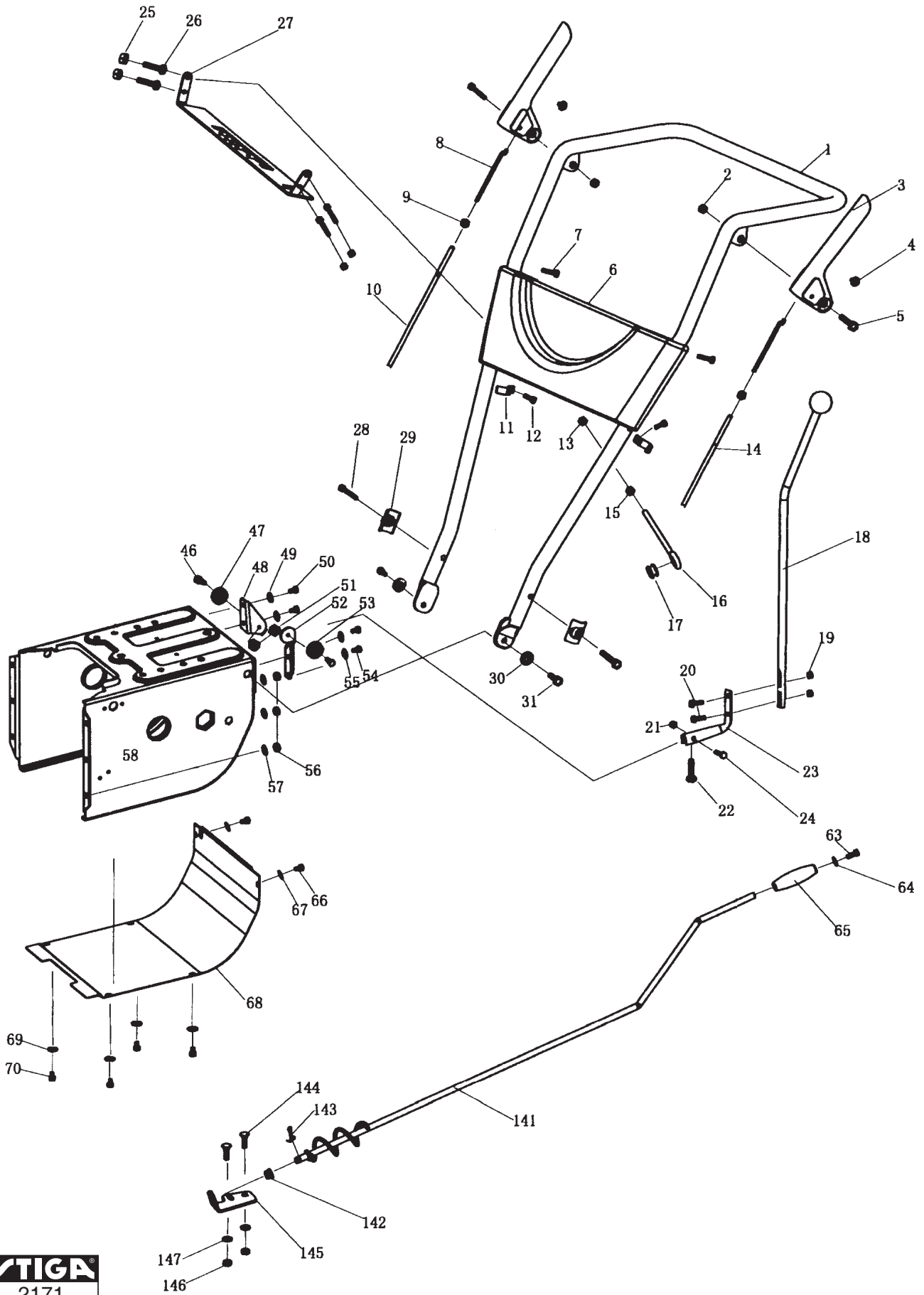
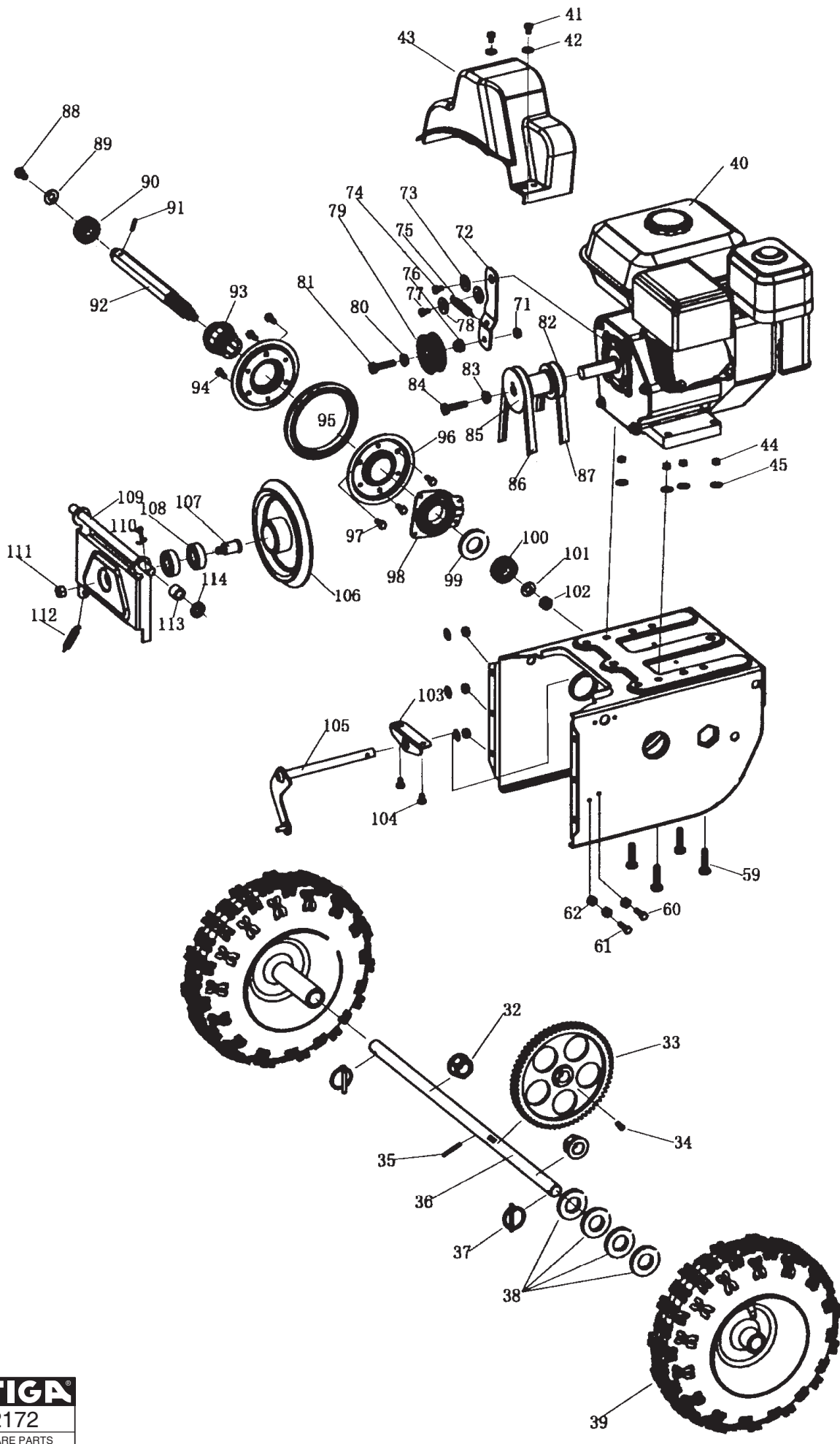


Genuine Spare Parts

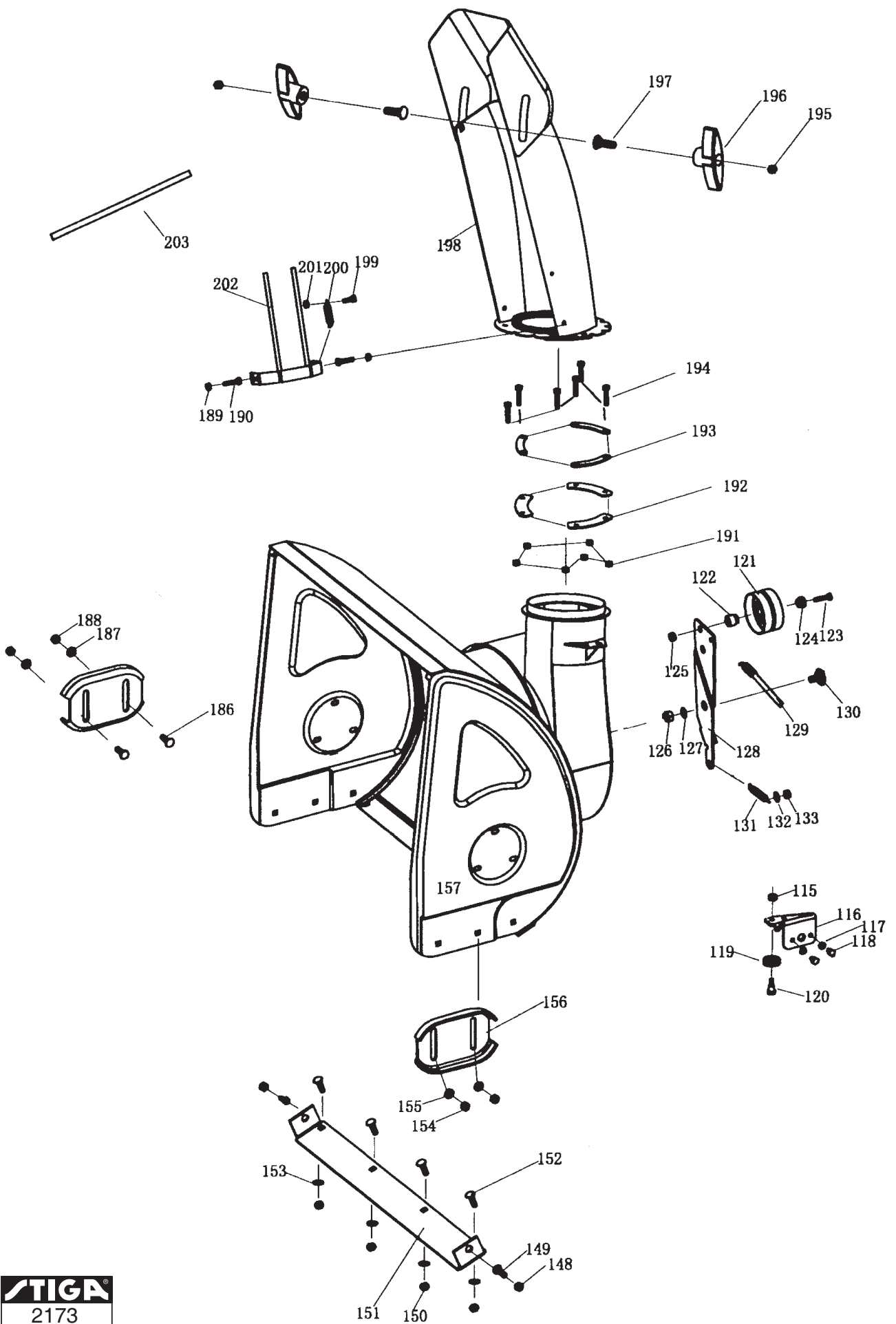




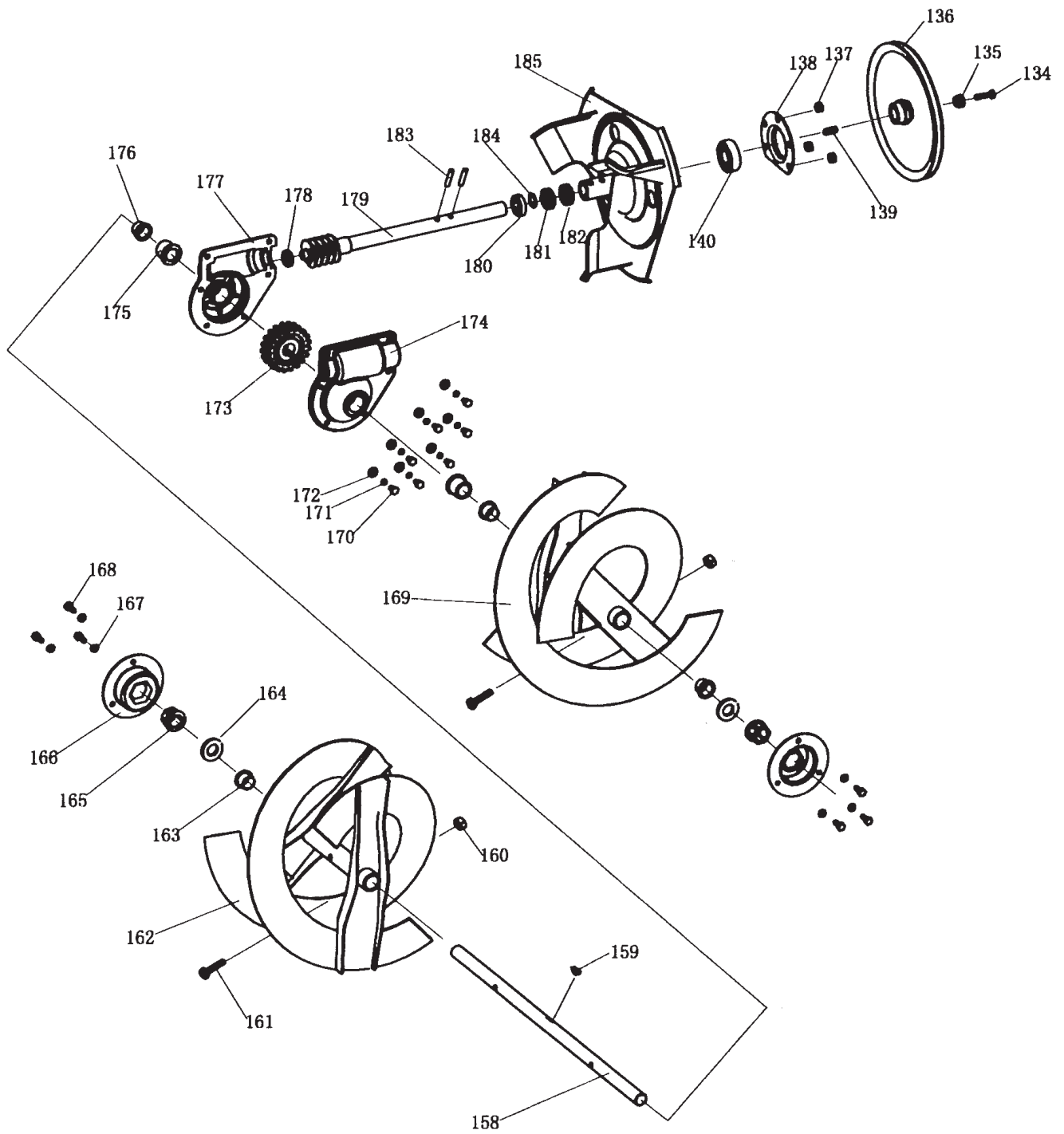
Utgåva Issue		Bildnr Picture No		SNOW RISE STYRE		SNOW RISE HANDLE		Sida Page	
2006- 14		2171						26	
Pos. Fig.	Antal/Quantity				Art nr Part No	Benämning	Description	Sats Kit	Anmärkning Notes
	2810 -27								
X	1	1			1811-2466-01	Styre	Handle		
	2	2			9747-0831-02	Mutter	Lock nut		
X	3	2			1811-2492-01	Inkopplingshandtag	Clutch handle		
X	4	2			1811-2472-01	Gummiskydd	Rubber cap		
	5	2			9997-0840-16	Skruv	Screw		
X	6	1			1811-2495-01	Panel- gul	Panel- yellow		
X	7	2			1811-2400-01	Skruv	Screw		
X	8	2			1811-2458-01	Justerstång	Adjustment rod		
	9	2			9799-0531-02	Mutter	Nut		
X	10	1			1811-2456-01	Reglagewire	Control cable		
X	11	2			1811-2494-01	Klämma	Clamp		
X	12	2			1811-2401-01	Skruv	Screw		
	13	1			9747-0831-02	Mutter	Lock nut		
X	14	1			1811-2459-01	Reglagewire	Control cable		
	15	1			9787-0831-32	Mutter	Nut		
X	16	1			1811-2468-01	Ögla	Eye bolt		
X	17	1			1811-2469-01	Gummihylsa	Rubber sleeve		
X	18	1			1811-2481-01	Växelspak	Gear lever		
	19	2			9739-0631-22	Mutter	Nut		
	20	2			9997-0620-16	Skruv	Screw		
	21	1			9739-0631-22	Mutter	Nut		
	22	1			9997-0620-16	Skruv	Screw		
X	23	1			1811-2482-01	Växelarm	Gear rod		
	24	1			9997-0625-16	Skruv	Screw		
	25	4			9747-0631-02	Låsmutter	Lock nut		
	26	4			9997-0635-12	Skruv	Screw		
X	27	1			1811-2491-01	Växellägesplåt- gul	Gear select plate- yel		
	28	2			9997-0840-16	Skruv	Screw		
X	29	2			1811-2453-01	Styresbricka	Handle washer		
	30	2			9699-0062-02	Planbricka	Flat washer		
	31	2			9997-0820-16	Skruv	Screw		
X	46	2			1811-2476-01	Ansatsbult	Shoulder bolt		
X	47	2			1811-2440-01	Wirerulle	Wire pulley		
X	48	1			1811-2439-01	Fäste- gul	Bracket- yellow		
	49	2			9699-0025-02	Planbricka	Washer		
	50	2			9997-0610-16	Skruv	Screw		
	51	2			9739-0631-22	Mutter	Nut		
X	52	1			1811-2437-01	Fäste- gul	Bracket- yellow		
X	53	2			1811-2440-01	Wirerulle	Wire pulley		
	54	2			9997-0610-16	Skruv	Screw		
	55	2			9699-0025-02	Planbricka	Washer		
	56	6			9747-0831-02	Mutter	Lock nut		
	57	6			9699-0028-02	Planbricka	Flat washer		
X	58	1			1811-2487-01	Chassi- gul	Chassis- yellow		
	63	1			9997-0610-16	Skruv	Screw		
	64	1			9699-0060-02	Planbricka	Flat washer		
X	65	1			1811-2442-01	Handtag	Grip		
	66	2			9997-0610-16	Skruv	Screw		
	67	2			9699-0025-02	Planbricka	Washer		
X	68	1			1811-2486-01	Bottenplåt- gul	Bottom plate- yell		
	69	4			9699-0025-02	Planbricka	Washer		
	70	4			9997-0610-16	Skruv	Screw		
X	141	1			1811-2467-01	Inställningsvev	Crank		
X	142	1			1811-2431-01	Bussning	Bushing		
	143	1			9599-0054-02	Saxpinne	Cotter pin		
	144	2			9898-0820-16	Skruv	Screw		
X	145	1			1811-2430-01	Fäste- gul	Bracket- yellow		
	146	2			9747-0831-02	Mutter	Lock nut		
	147	2			9699-0062-02	Planbricka	Flat washer		



Utgåva Issue		Bildnr Picture No		SNOW RISE TRANSMISSION		SNOW RISE TRANSMISSION		Sida Page	
2006- 14		2172						28	
Pos. Fig.	Antal/Quantity				Art nr Part No	Benämning	Description	Sats Kit	Anmärkning Notes
	2810 -27								
X	32	2			1811-2452-01	Hjulaxelbussning	Wheel shaft bushing		4.10 - 6
X	33	1			1811-2421-01	Drev	Gear		
X	34	2			1811-2406-01	Kil	Key		
	35	1			9595-0212-00	Spännstift	Locating pin		
X	36	1			1811-2441-01	Hjulaxel.....	Wheel shaft		
X	37	2			1811-2478-01	Fjäderpinne.....	Spring pin		
X	38	4			1811-2407-01	Planbricka.....	Flat washer.....		
X	39	2			1811-2408-01	Hjul kpl- silver.....	Wheel assy- silver		
X	40	1			1811-2496-01	Motor kpl.....	Engine assy.....		
	41	2			9997-0612-16	Skruv.....	Screw.....		
	42	2			9699-0025-02	Planbricka.....	Washer.....		
X	43	1			1811-2455-01	Remskydd	Belt cover		
	44	4			9747-0831-02	Mutter.....	Lock nut.....		
	45	4			9699-0062-02	Planbricka.....	Flat washer.....		
	59	4			9997-0835-12	Skruv.....	Screw.....		
	60	1			9997-0630-12	Skruv.....	Screw.....		
	61	1			9997-0620-16	Skruv.....	Screw.....		
	62	3			9739-0631-22	Mutter.....	Nut.....		
	71	1			9747-0631-02	Låsmutter	Lock nut.....		
X	72	1			1811-2470-01	Spännarm	Tension arm		
X	73	1			1811-2471-01	Spännarmsbricka.....	Washer.....		
	74	1			9997-0820-16	Skruv.....	Screw.....		
X	75	1			1811-2460-01	Fjäder.....	Spring		
X	76	1			1811-2451-01	Bricka	Washer.....		
	77	1			9997-0620-16	Skruv.....	Screw.....		
	78	2			9699-0025-02	Planbricka.....	Washer.....		
X	79	1			1811-2450-01	Spännrulle m.lager	Tension roller w.bear		
X	80	1			1811-2427-01	Bricka	Washer.....		
	81	1			9997-0830-16	Skruv.....	Screw.....		
X	82	1			1811-2473-01	Remskiva.....	Belt pulley		
	83	1			9699-0062-02	Planbricka.....	Flat washer.....		
	84	1			9997-0835-12	Skruv.....	Screw.....		
X	85	1			1811-2474-01	Remskiva.....	Belt pulley		
X	86	1			1811-2409-01	Drivrem	Belt.....		
X	87	1			1811-2410-01	Drivrem	Belt.....		
	88	1			9997-0820-16	Skruv.....	Screw.....		
	89	3			9699-0056-02	Planbricka.....	Flat washer.....		
X	90	1			1811-2411-01	Lager	Bearing.....		
	91	1			9595-0212-00	Spännstift	Locating pin		
X	92	1			1811-2423-01	Sexkantsaxel.....	Hex shaft.....		
X	93	1			1811-2435-01	Nav	Hub		
	94	3			9997-0612-16	Skruv.....	Screw.....		
X	95	1			1811-2436-01	Friktionsring	Friction ring.....		
X	96	2			1811-2433-01	Friktionshjul.....	Friction wheel.....		
	97	3			9997-0612-16	Skruv.....	Screw.....		
X	98	1			1811-2434-01	Växelförare	Gear selector hub.....		
X	99	1			1811-2412-01	Låsring	Lock ring.....		
X	100	1			1811-2413-01	Lager	Bearing.....		
	101	1			9699-0035-02	Planbricka.....	Flat washer.....		
	102	1			9747-1031-02	Låsmutter	Lock nut.....		
X	103	1			1811-2420-01	Fäste	Bracket.....		
	104	2			9997-0610-16	Skruv.....	Screw.....		
X	105	1			1811-2465-01	Växelförararm.....	Gear lever.....		
X	106	1			1811-2428-01	Drivskiva.....	Drive pulley		
X	107	1			1811-2429-01	Axeltapp.....	Shaft		
X	108	2			1811-2414-01	Lager	Bearing.....		
X	109	1			1811-2424-01	Fäste- drivskiva.....	Bracket- drive pulley.....		
	110	1			9599-0054-02	Saxpinne.....	Cotter pin		
	111	1			9747-1031-02	Låsmutter	Lock nut.....		
X	112	1			1811-2483-01	Fjäder.....	Spring		
X	113	1			1811-2489-01	Hylsa	Collar		
	114	1			9699-0038-02	Planbricka.....	Flat washer.....		



Utgåva Issue		Bildnr Picture No		SNOW RISE INMATNINGSHUS		SNOW RISE AUGER HOUSING		Sida Page	
2006- 14		2173						30	
Pos. Fig.	Antal/Quantity				Art nr Part No	Benämning	Description	Sats Kit	Anmärkning Notes
	2810 -27								
X	115	1			9747-0631-02	Låsmutter	Lock nut		
	116	1			1811-2438-01	Fäste- gul	Bracket- yellow		
	117	2			9699-0025-02	Planbricka	Washer		
	118	2			9997-0610-16	Skruv	Screw		
X	119	1			1811-2440-01	Wirerulle	Wire pulley		
X	120	1			1811-2476-01	Ansatsbult	Shoulder bolt		
X	121	1			1811-2425-01	Spännrulle m.lager	Tension roller w.bear		
X	122	1			1811-2426-01	Distans	Spacer		
	123	1			9997-0840-16	Skruv	Screw		
X	124	1			1811-2427-01	Bricka	Washer		
	125	1			9747-0831-02	Mutter	Lock nut		
	126	1			9747-1031-02	Låsmutter	Lock nut		
	127	1			9699-0035-02	Planbricka	Flat washer		
X	128	1			1811-2448-01	Spännarm	Tension arm		
X	129	1			1811-2457-01	Fjäder	Spring		
X	130	1			1811-2475-01	Skruv	Screw		
X	131	1			1811-2462-01	Fjäder	Spring		
	132	1			9699-0028-02	Planbricka	Flat washer		
	133	1			9747-0831-02	Mutter	Lock nut		
	148	2			9747-0831-02	Mutter	Lock nut		
	149	2			9898-0820-16	Skruv	Screw		
	150	4			9747-0831-02	Mutter	Lock nut		
X	151	1			1811-2497-01	Skrapskär- svart	Scraper blade- black		
	152	4			9898-0820-16	Skruv	Screw		
	153	4			9699-0062-02	Planbricka	Flat washer		
	154	2			9747-0831-02	Mutter	Lock nut		
	155	2			9699-0062-02	Planbricka	Flat washer		
X	156	2			1811-2493-01	Släpsko- svart	Skid shoe- black		
X	157	1			1811-2488-01	Snöskruvhus- gul	Auger housing- yellow		
	186	2			9898-0820-16	Skruv	Screw		
	187	2			9699-0062-02	Planbricka	Flat washer		
	188	2			9747-0831-02	Mutter	Lock nut		
	189	2			9747-0631-02	Låsmutter	Lock nut		
	190	2			9997-0620-16	Skruv	Screw		
	191	6			9747-0631-02	Låsmutter	Lock nut		
X	192	3			1811-2445-01	Flänsbricka	Chute washer		
X	193	3			1811-2446-01	Packning	Chute gasket		
	194	6			9997-0620-16	Skruv	Screw		
	195	2			9747-0831-02	Mutter	Lock nut		
X	196	2			1811-2498-01	Lås ratt	Locking knob		
	197	2			9898-0820-16	Skruv	Screw		
X	198	1			1811-2499-01	Utkaströr	Chute		
	199	1			9997-0620-16	Skruv	Screw		
X	200	1			1811-2461-01	Fjäder	Spring		
	201	1			9747-0631-02	Låsmutter	Lock nut		
X	202	1			1811-2432-01	Utkastskydd	Chute guard		
X	203	1			1811-2500-01	Rensdon	Cleaner stick		



Utgåva Issue		Bildnr Picture No		SNOW RISE SNÖSKRUV		SNOW RISE AUGER		Sida Page	
2006- 14		2174						32	
Pos. Fig.	Antal/Quantity				Art nr Part No	Benämning	Description	Sats Kit	Anmärkning Notes
	2810 -27								
	134	1			9997-0820-16	Skruv.....	Screw.....		
	135	1			9699-0056-02	Planbricka.....	Flat washer.....		
X	136	1			1811-2464-01	Remskiva.....	Belt pulley.....		
	137	3			9747-0831-02	Mutter.....	Lock nut.....		
X	138	1			1811-2422-01	Lagerskål.....	Bearing cover.....		
	139	1			9600-0170-00	Plattkil.....	Flat key.....		
X	140	1			1811-2415-01	Lager.....	Bearing.....		
X	158	1			1811-2447-01	Snöskruvaxel.....	Auger shaft.....		
X	159	1			1811-2416-01	Kil.....	Key.....		
	160	2			9747-0831-02	• Mutter.....	• Lock nut.....		
X	161	1			1811-9012-01	Brytbultsats.....	Shear bolt kit.....		Inkl. pos 160
X	162	1			1811-2480-01	Snöskruv- vä.....	Auger- LH.....		
X	163	1			1811-2443-01	Axelbussning.....	Shaft bushing.....		
X	164	2			1811-2418-01	Planbricka.....	Flat washer.....		
X	165	2			1811-2444-01	Axelbussning.....	Shaft bushing.....		
X	166	2			1811-2449-01	Lagerfäste.....	Bearing cover.....		
	167	6			9699-0028-02	Planbricka.....	Flat washer.....		
	168	6			9997-0812-16	Skruv.....	Screw.....		
X	169	1			1811-2479-01	Snöskruv- hö.....	Auger- RH.....		
	170	7			9997-0620-16	Skruv.....	Screw.....		
	171	7			9683-0025-02	Låsbricka.....	Lock washer.....		
	172	7			9699-0025-02	Planbricka.....	Washer.....		
X	173	1			1811-2463-01	Snäckdrev.....	Worm wheel.....		
X	174	1			1811-2484-01	Snäckväxelhus- vä.....	Gear housing- LH.....		
X	175	1			1811-2490-01	Bussning.....	Bushing.....		
X	176	3			1811-2443-01	Axelbussning.....	Shaft bushing.....		
X	177	1			1811-2485-01	Snäckväxelhus- hö.....	Gear housing- RH.....		
X	178	1			1811-2402-01	Lager.....	Bearing.....		
X	179	1			1811-2454-01	Fläktaxel.....	Fan shaft.....		
X	180	1			1811-2403-01	Lager.....	Bearing.....		
X	181	1			1811-2404-01	Trycklager.....	Thrust bearing.....		
X	182	1			1811-2405-01	Tätningring.....	Seal ring.....		
	183	2			9595-0262-00	Spännstift.....	Locating pin.....		
X	184	1			1811-2477-01	Bricka.....	Washer.....		
X	185	1			1811-2419-01	Fläkt.....	Fan.....		