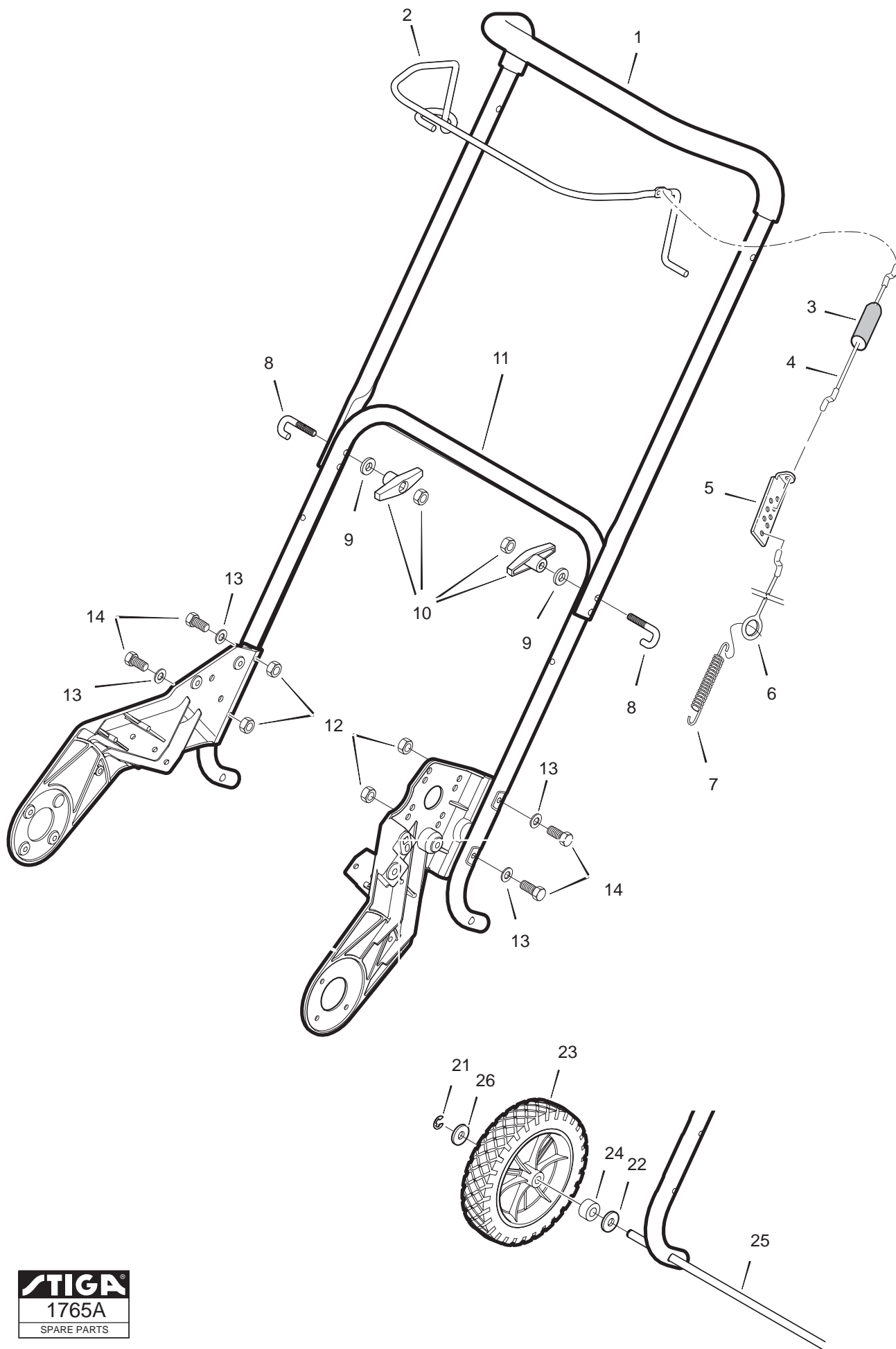


# Genuine Spare Parts

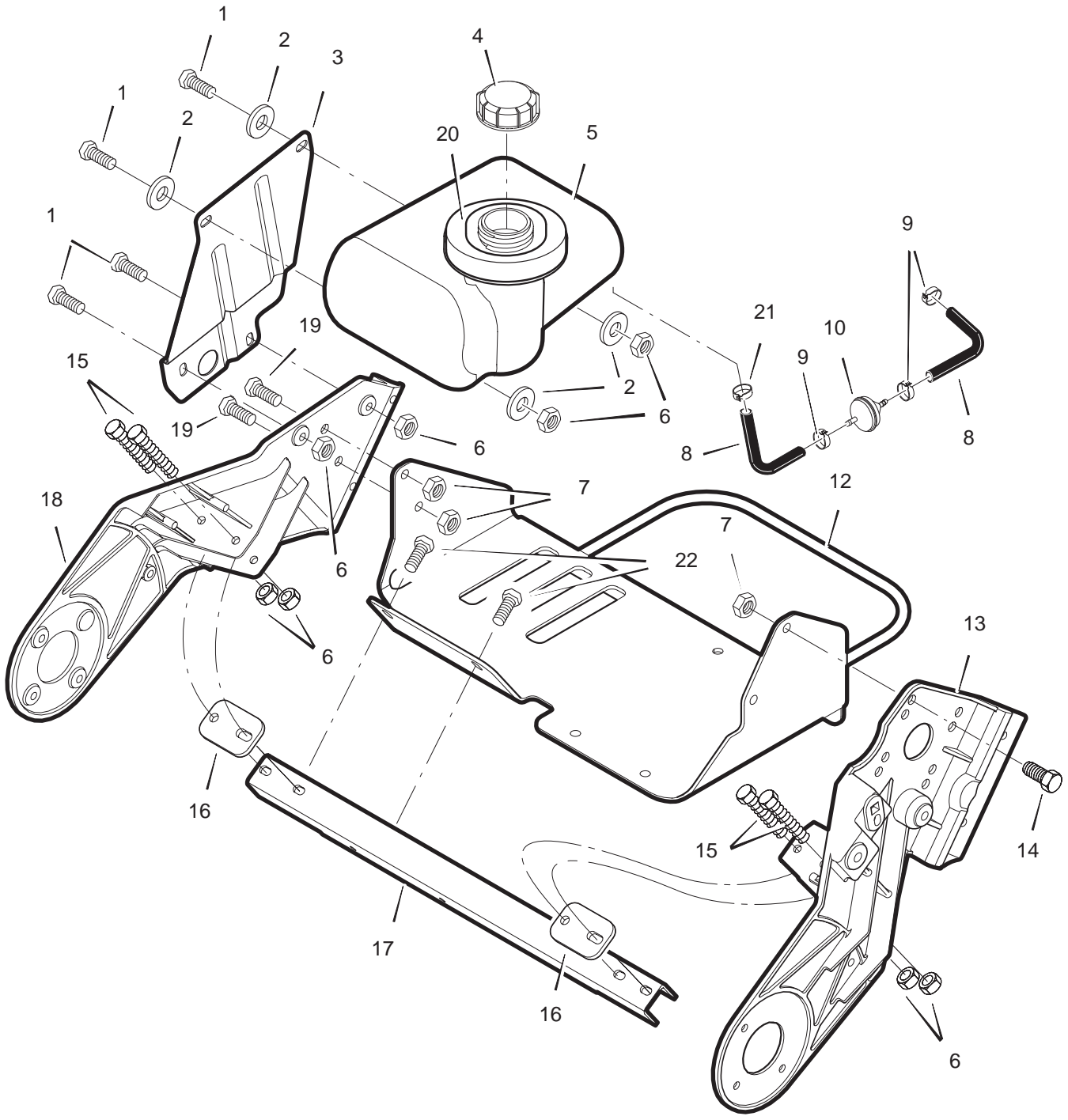
---



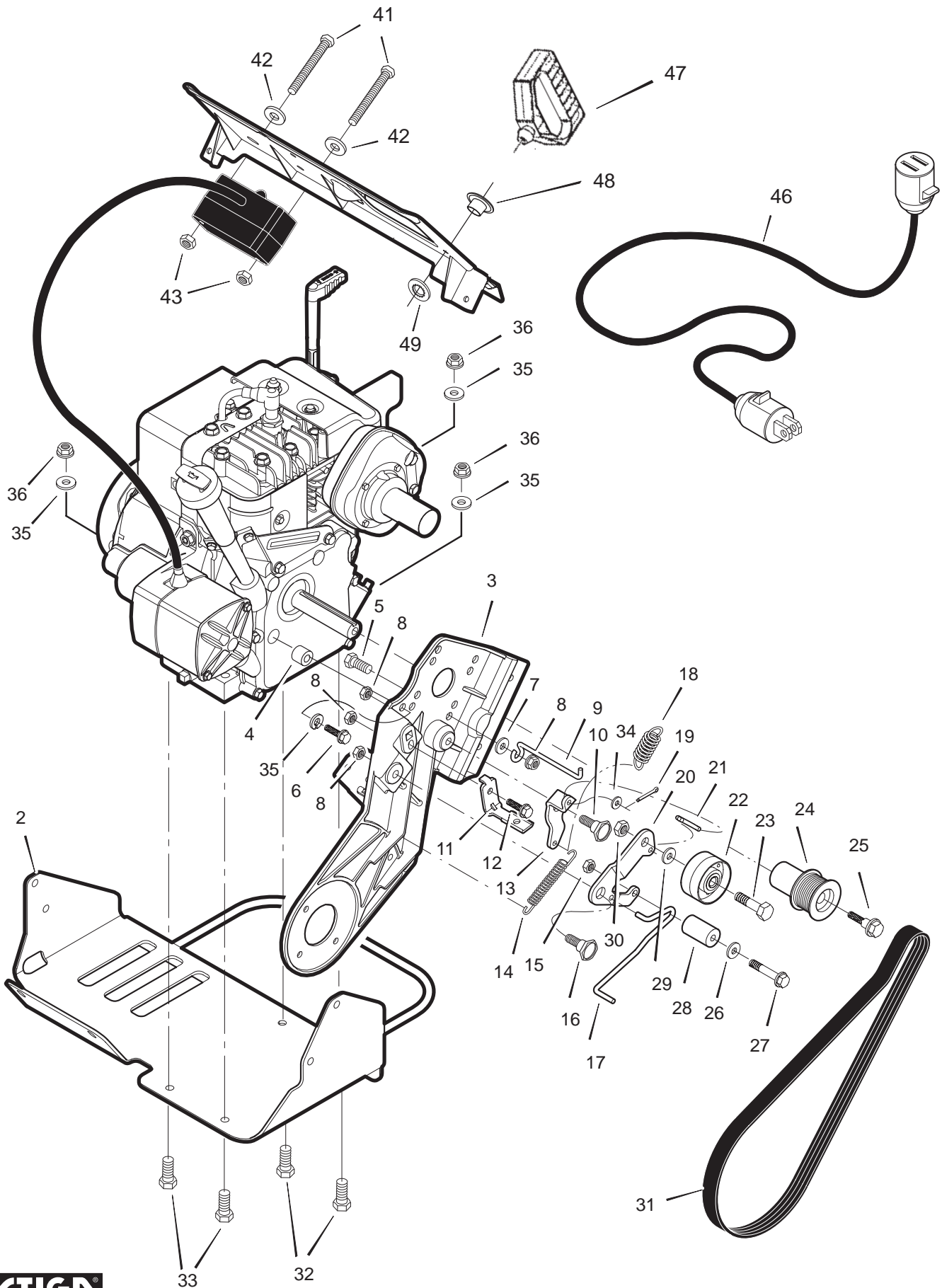


Utgåva Issue 2006- 14		Bildnr Picture No 1765A		SNOW BREEZE ES STYRE HJUL		SNOW BREEZE ES HANDLE WHEELS		Sida Page 14	
Pos. Fig.	Antal/Quantity				Art nr Part No	Benämning	Description	Sats Kit	Anmärkning Notes
	2826 -27								
1	1				1812-1989-01 Styre-överdel .....	Handle- upper.....			
2	1				1812-1961-01 Reglagebygel.....	Control bail .....			
3	1				1133-0968-01 Wirehylsa.....	Clutch spring boot .....			
4	1				1812-2002-01 Reglagewire.....	Control cable.....			
5	1				1133-0977-01 Wirefäste .....	Cable adjust bracket.....			
6	1				1812-1883-01 Reglagewire- nedre.....	Control cable- lower .....			
7	1				1812-1670-01 Fjäder.....	Spring .....			
8	2				1812-1973-01 U- bult.....	U- bolt .....			
9	2				1133-0933-01 Kupad bricka.....	Formed washer .....			
10	2				1812-1928-01 Låsratt .....	Wing knob.....			
11	1				1812-1960-01 Styre- underdel .....	Handle- lower .....			
12	4				1812-0812-01 Låsmutter .....	Locking nut .....			
13	4				9699-0028-02 Planbricka.....	Flat washer.....			
14	4				9988-3532-12 Skruv .....	Screw .....			
21	2				1133-1021-01 Låsring .....	Retaining ring .....			
22	2				9699-0035-02 Planbricka.....	Flat washer.....			
23	2				1812-1455-01 Hjul .....	Wheel.....			
24	2				1812-1922-01 Distans .....	Spacer sleeve.....			
25	1				1812-1975-01 Hjulaxel.....	Axle rod.....			
26	2				9699-0030-02 Planbricka.....	Flat washer.....			
99	1				8218-2219-70 Bruksanvisning .....	Owner's manual .....			Ej ill/not ill.

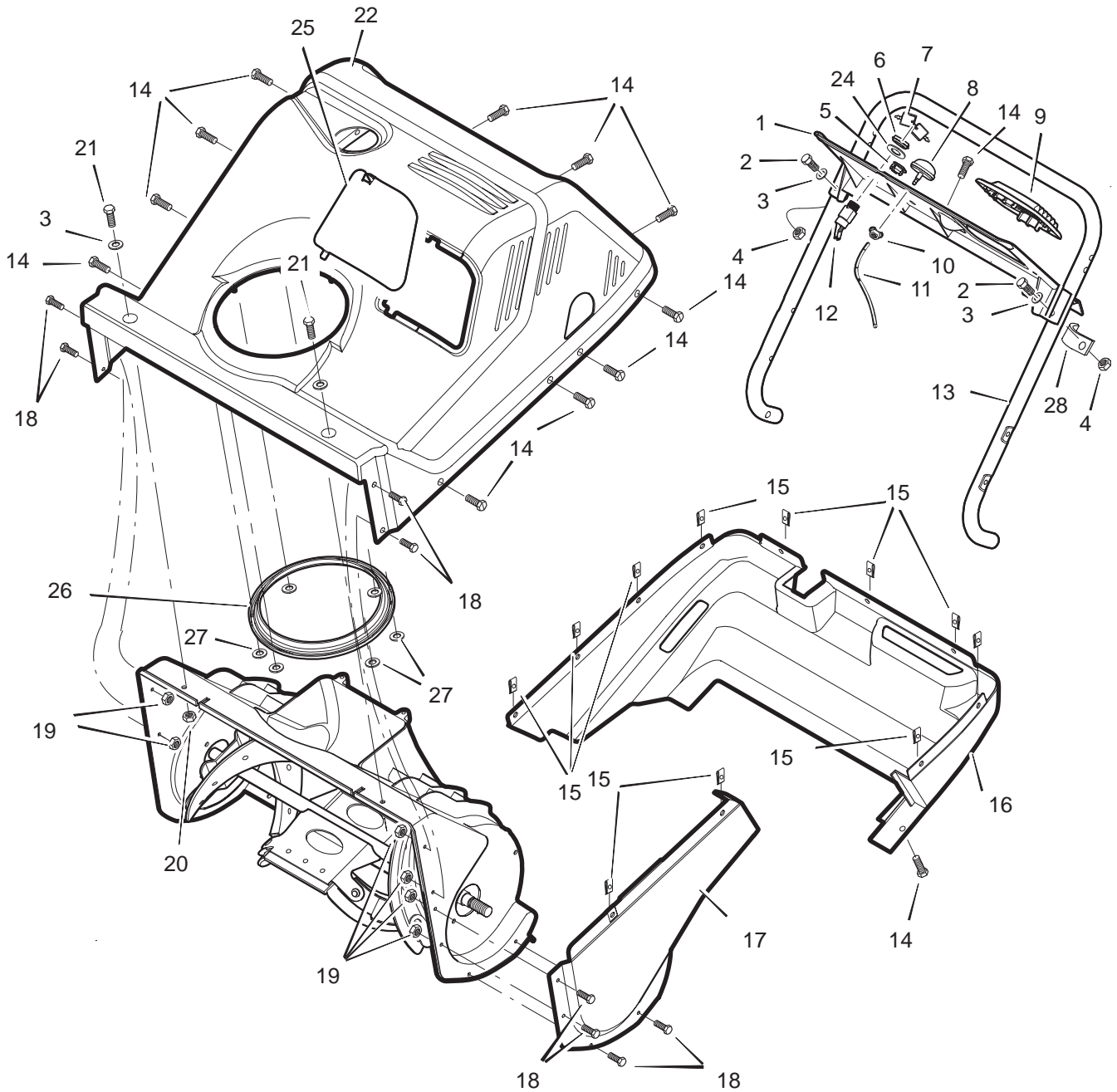
X



Utgåva Issue 2006-14		Bildnr Picture No 1766A		SNOW BREEZE ES RAM BRÄNSLETANK		SNOW BREEZE ES FRAME FUEL TANK		Sida Page 16	
Pos. Fig.	Antal/Quantity				Art nr Part No	Benämning	Description	Sats Kit	Anmärkning Notes
	2826 -27								
1	4				9988-3519-16 Skruv.....	Screw.....			
2	4				9699-0028-02 Planbricka.....	Flat washer.....			
3	1				1812-2055-01 Fäste.....	Bracket.....			
4	1				1812-1906-01 Tanklock.....	Fuel tank cap.....			
5	1				1812-1971-01 Bränsletank.....	Fuel tank.....			
6	8				1812-0812-01 Låsmutter.....	Locking nut.....			
7	3				1812-0811-01 Låsmutter.....	Locking nut.....			
8	2				1812-1998-01 Bränsleslang.....	Fuel line tubing.....			
9	3				1812-1487-01 Slangklämma.....	Fuel line clamp.....			
10	1				1812-1907-01 Bränslefilter.....	Fuel line filter.....			
12	1				1812-1954-01 Motorvagg.....	Engine cradle.....			
13	1				1812-1968-01 Ram- vä.....	Frame- LH.....			
14	1				9988-3616-16 Skruv.....	Screw.....			
15	4				9988-3551-12 Skruv.....	Screw.....			
16	2				1812-1894-01 Platta.....	Bolting support plate.....			
17	1				1812-1955-01 Ramstöd.....	Frame support.....			
18	1				1812-1967-01 Ram- hö.....	Frame- RH.....			
19	2				9988-3619-16 Skruv.....	Screw.....			
20	1				1812-1943-01 Skumplastring.....	Foam ring.....			
21	1				1133-0070-01 Slangklämma.....	Fuel line clamp.....			
22	2				9988-3516-16 Skruv.....	Screw.....			



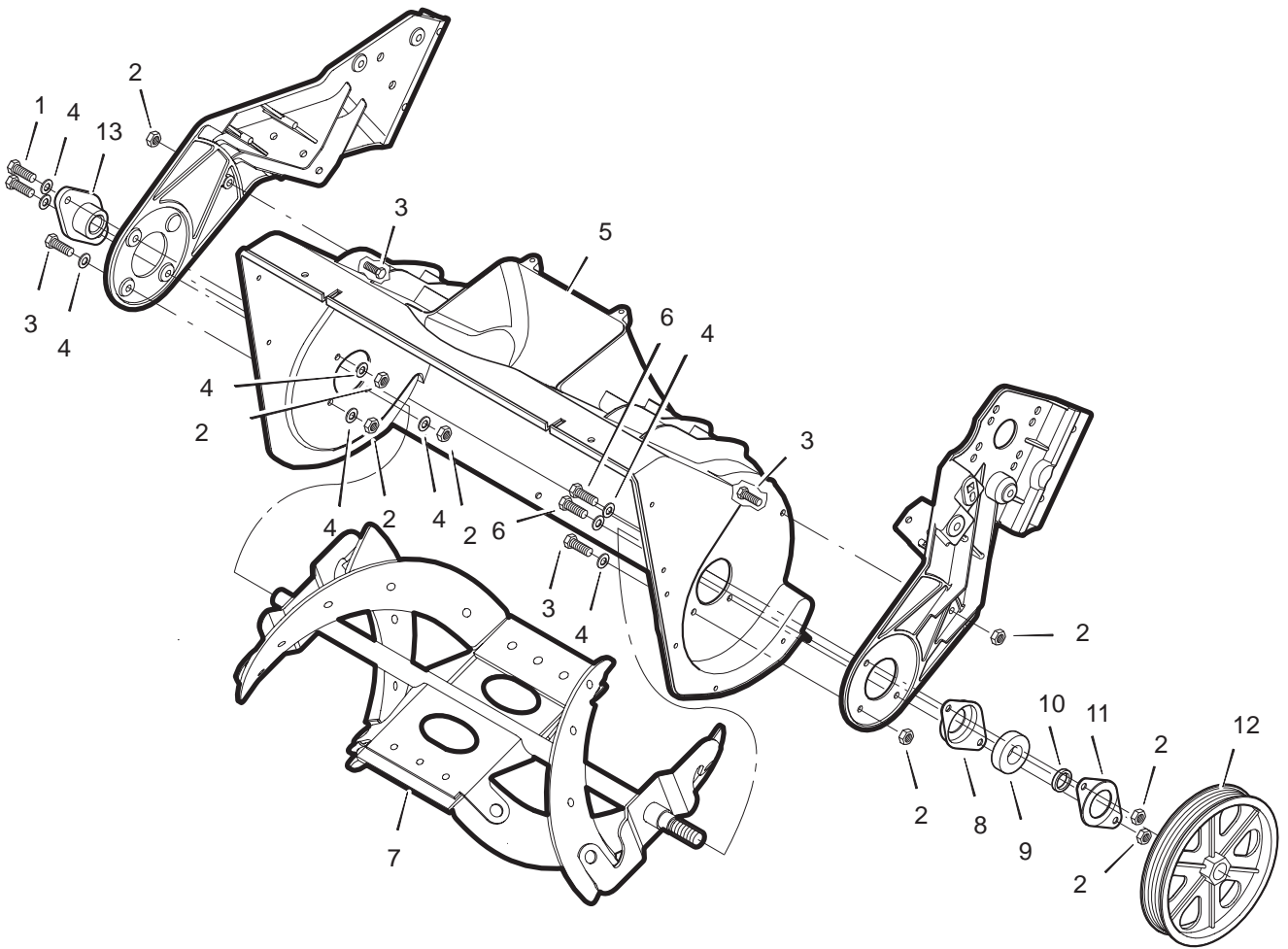
Utgåva Issue 2006-14		Bildnr Picture No 1767A		SNOW BREEZE ES REMTRANSMISSION MOTOR		SNOW BREEZE ES BELT TRANSMISSION ENGINE		Sida Page 18	
Pos. Fig.	Antal/Quantity				Art nr Part No	Benämning	Description	Sats Kit	Anmärkning Notes
	2826								
2	1				1812-1954-01	Motorvagg	Engine cradle		
3	1				1812-1968-01	Ram- vä	Frame- LH		
4	4				1812-1997-01	Avvibrering	Antivibration mount		
5	1				9988-3625-16	Skruv	Screw		
6	4				1812-1918-01	Skruv	Screw		
7	1				9699-0029-02	Planbricka	Flat washer		
8	4				1812-0811-01	Låsmutter	Locking nut		
9	1				1812-1893-01	Remstyrning	Belt guide		
10	1				1812-1829-01	Ansatsbult	Shoulder bolt		
11	1				1812-1891-01	Brombelägg	Brake pad		
12	1				9988-3516-16	Skruv	Screw		
13	1				1812-1882-01	Spännarm	Idler pivot arm		
14	1				1812-1885-01	Fjäder	Spring		
15	1				1812-0812-01	Låsmutter	Locking nut		
16	1				1812-1829-01	Ansatsbult	Shoulder bolt		
17	1				1812-1896-01	Bromsstång	Brake wire		
18	1				1812-1670-01	Fjäder	Spring		
19	1				1812-1879-01	Låsnål	Cotter pin		
20	1				1812-1888-01	Spännarm	Idler bracket arm		
21	1				1812-1881-01	Länkstång	Clutch linkage rod		
22	1				1133-0936-01	Spännrulle	Idler pulley		
23	1				9988-3738-12	Skruv	Screw		
24	1				1812-1977-01	Motorremskiva	Engine belt pulley		
25	1				1812-1976-01	Bult	Bolt		
26	1				9699-0028-02	Planbricka	Flat washer		
27	1				9988-3551-12	Skruv	Screw		
28	1				1812-1897-01	Rulle	Pinch roller		
29	1				1812-1880-01	Planbricka	Flat washer		
30	1				9743-3721-32	Mutter	Nut		
31	1				1812-1878-01	Drivrem	Drive belt		
32	2				9988-3651-12	Skruv	Screw		
33	2				9988-3725-16	Skruv	Screw		
34	1				9699-0079-02	Bricka	Washer		
35	8				9683-0030-02	Låsbricka	Lock washer		
36	4				9795-3631-02	Mutter	Nut		
41	2				1812-1923-01	Skruv	Screw		
42	2				9699-0079-02	Bricka	Washer		
43	2				1812-1921-01	Mutter	Nut		
46	1				1812-1615-01	Förlängningssladd	Extension cord		
47	1				1812-1995-01	Handtag	Grip		
X 48	1				1812-2123-01	Linhylsa	Rope grommet		
X 49	1				1812-2124-01	Bricka	Washer		



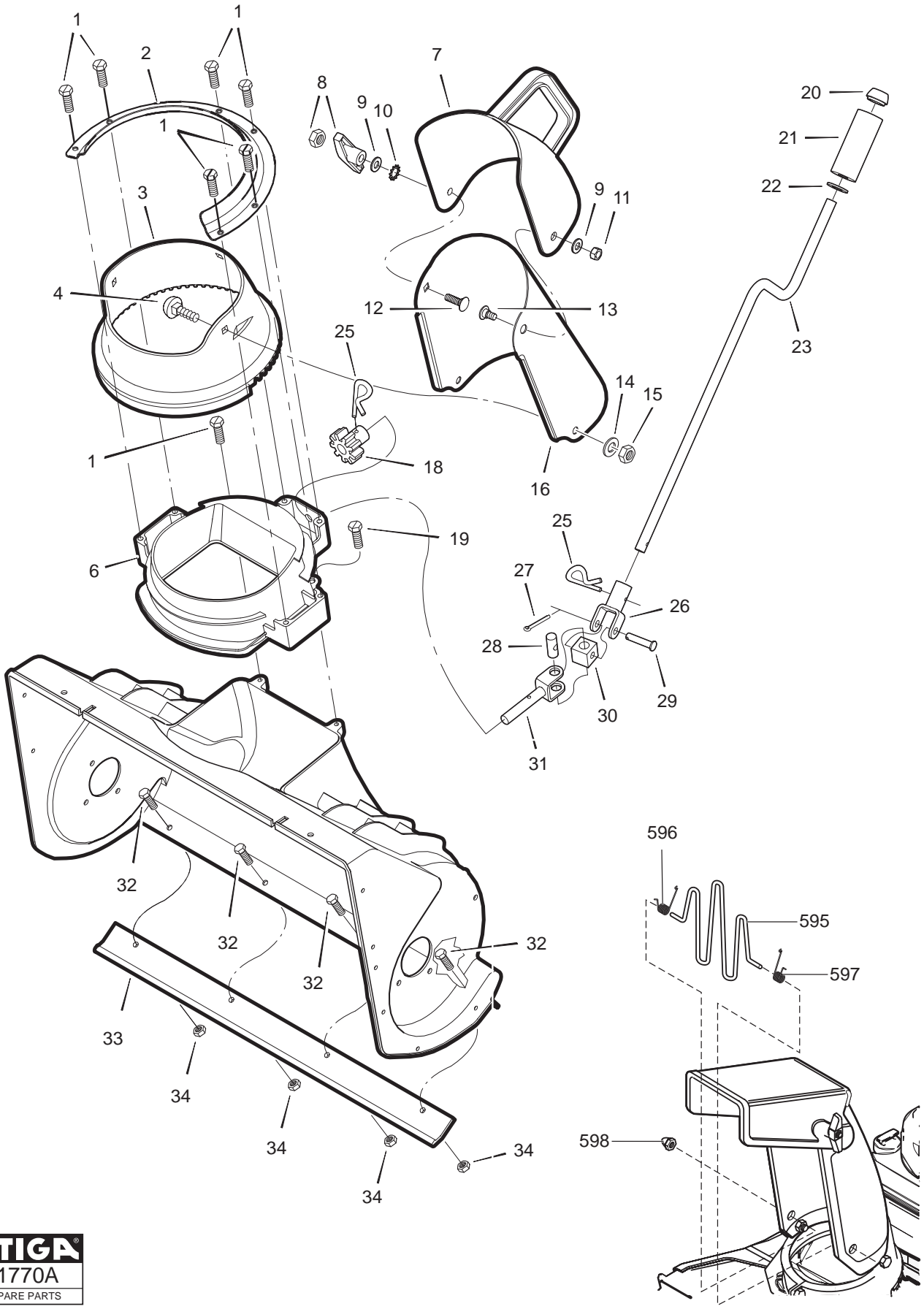


Utgåva Issue		Bildnr Picture No		SNOW BREEZE ES KÅPOR		SNOW BREEZE ES COVERS		Sida Page	
2006- 14		1768A						20	
Pos. Fig.	Antal/Quantity				Art nr Part No	Benämning	Description	Sats Kit	Anmärkning Notes
	2826 -27								
1	1				1812-1962-01	Reglagepanel .....	Control panel.....		
2	2				9988-3532-12	Skruv .....	Screw .....		
3	4				9699-0028-02	Planbricka .....	Flat washer .....		
4	2				1812-0812-01	Låsmutter .....	Locking nut .....		
5	1				1812-1970-01	Bussning .....	Chute crank bushing .....		
6	1				1134-2852-01	Mutter .....	Nut .....		
7	1				1134-2848-01	Tändningsnyckel .....	Ignition key .....		
8	1				1812-1905-01	Primernippel .....	Primer bulb .....		
9	1				1812-1974-01	Lock .....	Cover .....		
10	1				9795-3531-02	Mutter .....	Nut .....		
11	1				1812-1496-01	Primerslang .....	Primer hose .....		
12	1				1133-0956-01	Tändningslås .....	Ignition switch .....		
13	1				1812-1960-01	Styre- underdel .....	Handle- lower .....		
14	13				1133-0955-01	Skruv .....	Screw .....		
15	11				1133-1026-01	Snabbmutter .....	Speed nut .....		
16	1				1812-1965-01	Kåpa- undre .....	Bottom cover .....		
17	1				1812-1996-01	Remskydd .....	Belt cover .....		
18	8				1812-0959-01	Bult .....	Bolt .....		
19	6				1812-0630-01	Mutter .....	Nut .....		
20	2				1812-1758-01	Mutter .....	Nut .....		
21	2				9988-3516-16	Skruv .....	Screw .....		
22	1				1812-1993-01	Kåpa- övre .....	Top cover .....		
24	1				1134-2853-01	Bricka .....	Washer .....		
25	1				1812-1966-01	Lock .....	Oil access cover .....		
26	1				1812-1987-01	Packning .....	Gasket .....		
27	6				1812-1916-01	Snabbmutter .....	Push nut .....		
28	1				1812-2110-01	Klämma .....	Cable clamp .....		

X



Utgåva Issue		Bildnr Picture No		SNOW BREEZE ES SNÖSKRUV		SNOW BREEZE ES AUGER		Sida Page	
2006-14		1769						22	
Pos. Fig.	Antal/Quantity				Art nr Part No	Benämning	Description	Sats Kit	Anmärkning Notes
	2826 -27								
1	2				9988-3525-16 Skruv .....	Screw .....			
2	8				1812-0812-01 Låsmutter .....	Locking nut .....			
3	3				9988-3519-16 Skruv .....	Screw .....			
4	10				9699-0028-02 Planbricka .....	Flat washer .....			
5	1				1812-1956-01 Snöskruvhus .....	Auger housing .....			
6	2				9988-3516-16 Skruv .....	Screw .....			
7	1				1812-1984-01 Snöskruv .....	Auger .....			
8	1				1812-1925-01 Lagerhållare .....	Bearing retainer .....			
9	1				1812-1383-01 Kullager .....	Ball bearing .....			
10	1				1812-1895-01 Distans .....	Sleeve spacer .....			
11	1				1133-1000-01 Lagerhållare .....	Retainer plate .....			
12	1				1812-1889-01 Remskiva .....	Pulley .....			
13	1				1133-1019-01 Flänslager .....	Flange bearing .....			



Utgåva Issue 2006- 14		Bildnr Picture No 1770A		SNOW BREEZE ES UTKAST INSTÄLLNINGSVEV		SNOW BREEZE ES DISCHARGE CHUTE CHUTE ROD		Sida Page 24	
Pos. Fig.	Antal/Quantity				Art nr Part No	Benämning	Description	Sats Kit	Anmärkning Notes
	2826 -27								
1	7				1133-0955-01 Skruv.....	Screw.....			
2	1				1812-2057-01 Hållare .....	Chute ring retainer .....			
3	1				1812-2058-01 Utkastring.....	Chute ring .....			
4	2				9899-3622-16 Skruv.....	Screw.....			
6	1				1812-1953-01 Fäste- utkast .....	Chute neck.....			
7	1				1812-1979-01 Utkastskärm .....	Upper chute .....			
8	1				1812-1928-01 Låsrott .....	Wing knob.....			
9	2				9699-0029-02 Planbricka.....	Flat washer.....			
10	1				9678-0010-02 Låsbricka .....	Starlock.....			
11	1				1812-0811-01 Låsmutter .....	Locking nut .....			
12	1				1812-1678-01 Vagnsbult .....	Carriage bolt .....			
13	1				1812-1978-01 Bult.....	Bolt .....			
14	2				9699-0035-02 Planbricka.....	Flat washer.....			
15	2				9743-3621-32 Mutter.....	Nut .....			
16	1				1812-1994-01 Utkaströr .....	Lower chute .....			
18	1				1812-1706-01 Drev.....	Gear .....			
19	2				1133-0955-01 Skruv.....	Screw.....			
20	1				1812-0396-01 Låsning.....	Retainer .....			
21	1				1133-0959-01 Handtag .....	Knob .....			
22	1				9699-0035-02 Planbricka.....	Flat washer.....			
23	1				1812-2122-01 Inställn.vev .....	Chute rotation crank.....			
25	2				1812-1791-01 Låsnål.....	Hair pin .....			
26	1				1812-1708-01 Gaffel.....	Yoke adapter .....			
27	1				9599-0033-00 Saxsprint .....	Split pin.....			
28	1				1812-1316-01 Axel .....	Universal pin .....			
29	1				1812-1318-01 Sprint.....	Clevis pin .....			
30	1				1812-1317-01 Ledknut .....	Universal pivot block.....			
31	1				1812-1969-01 Gaffelstång .....	Crank rod .....			
32	4				9988-3519-16 Skruv.....	Screw.....			
33	1				1812-1963-01 Skrapskär .....	Scraper blade.....			
34	4				1812-1758-01 Mutter.....	Nut .....			
595	1				1133-0970-01 Utkastskydd.....	Wire chute guide.....			
596	1				1133-0944-01 Fjäder.....	Torsion chute spring .....			
597	1				1133-0945-01 Fjäder.....	Torsion chute spring .....			
598	2				1133-0937-01 Hattlåsning .....	Acorn nut .....			