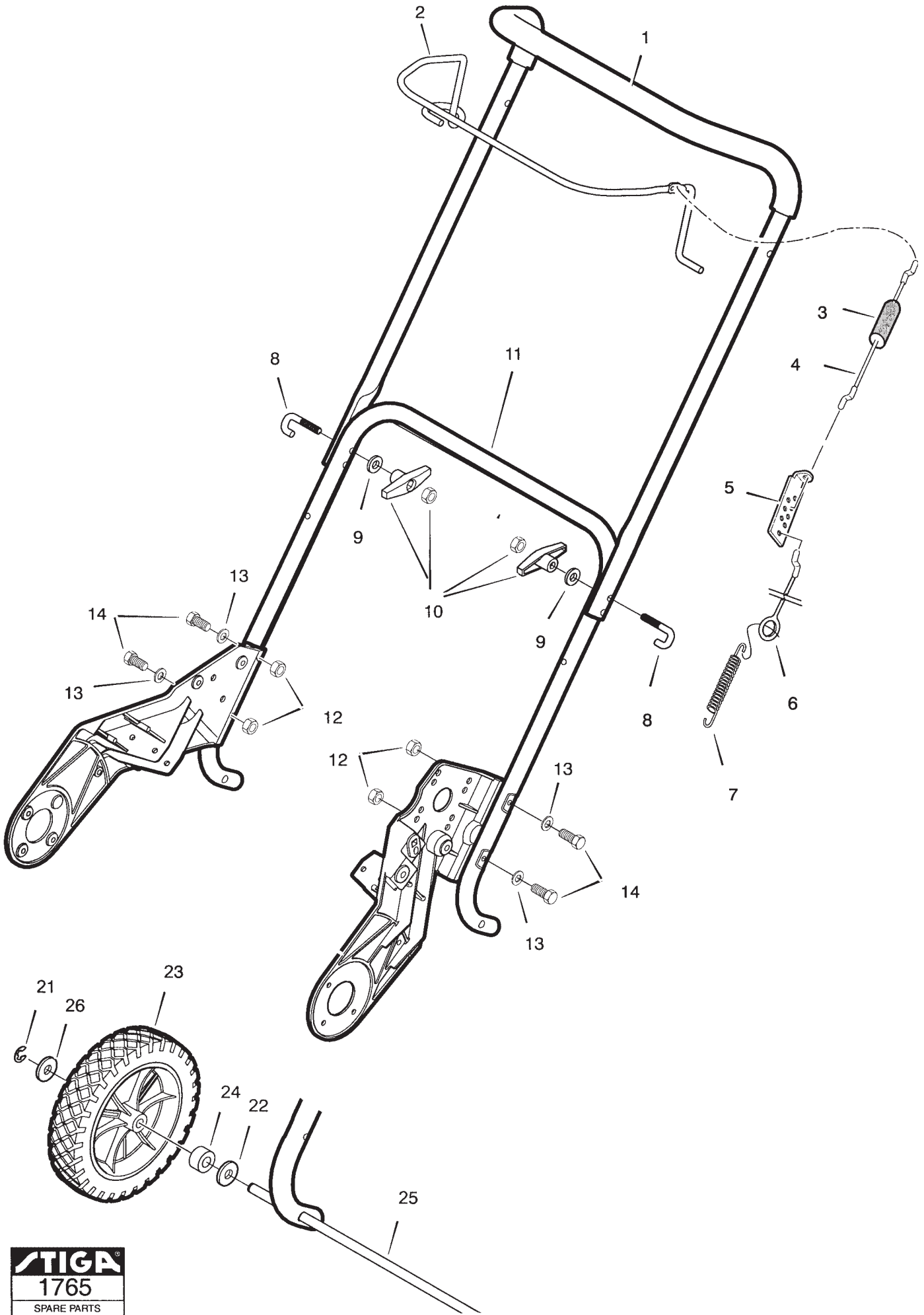


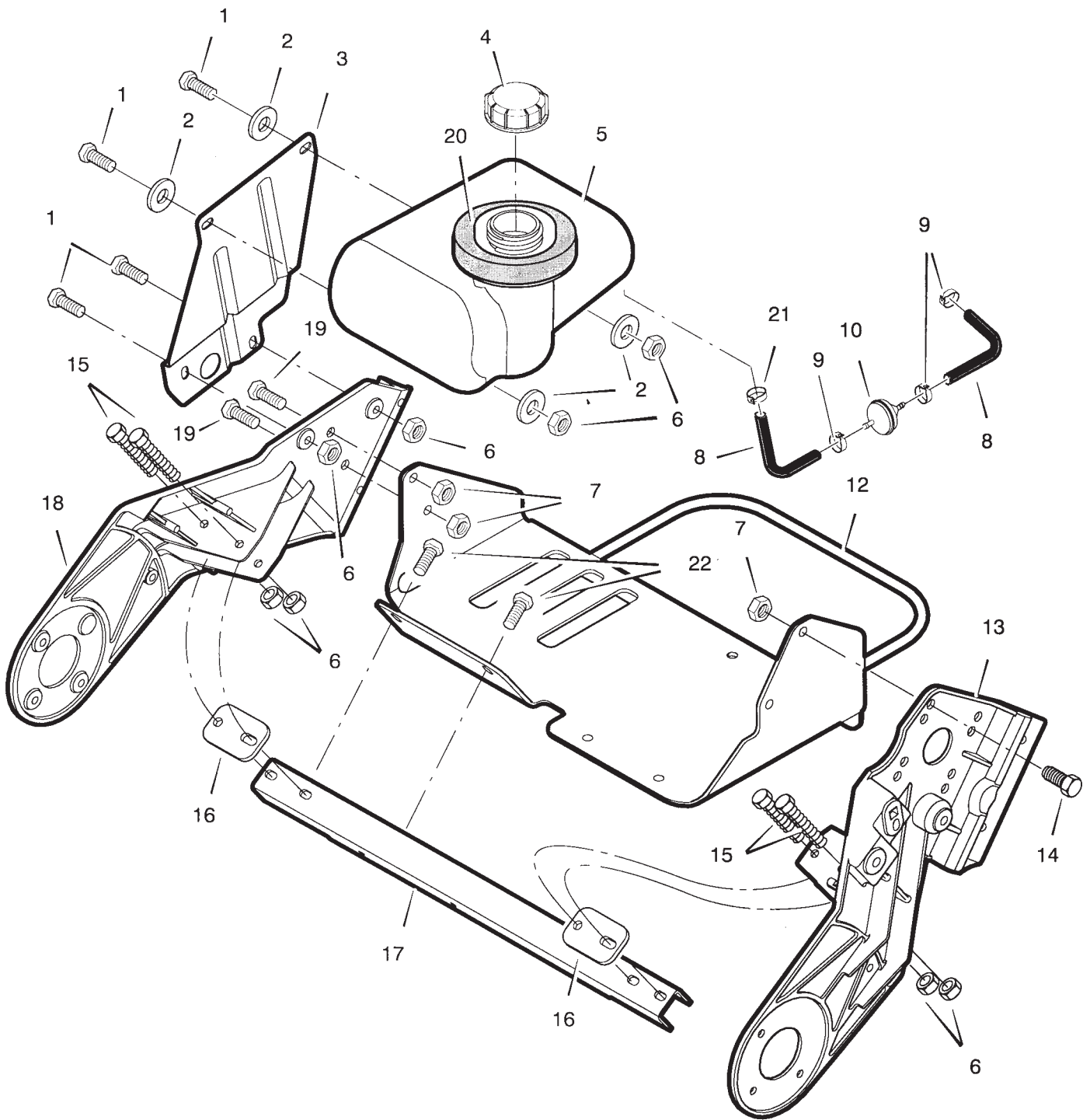
# Genuine Spare Parts

---

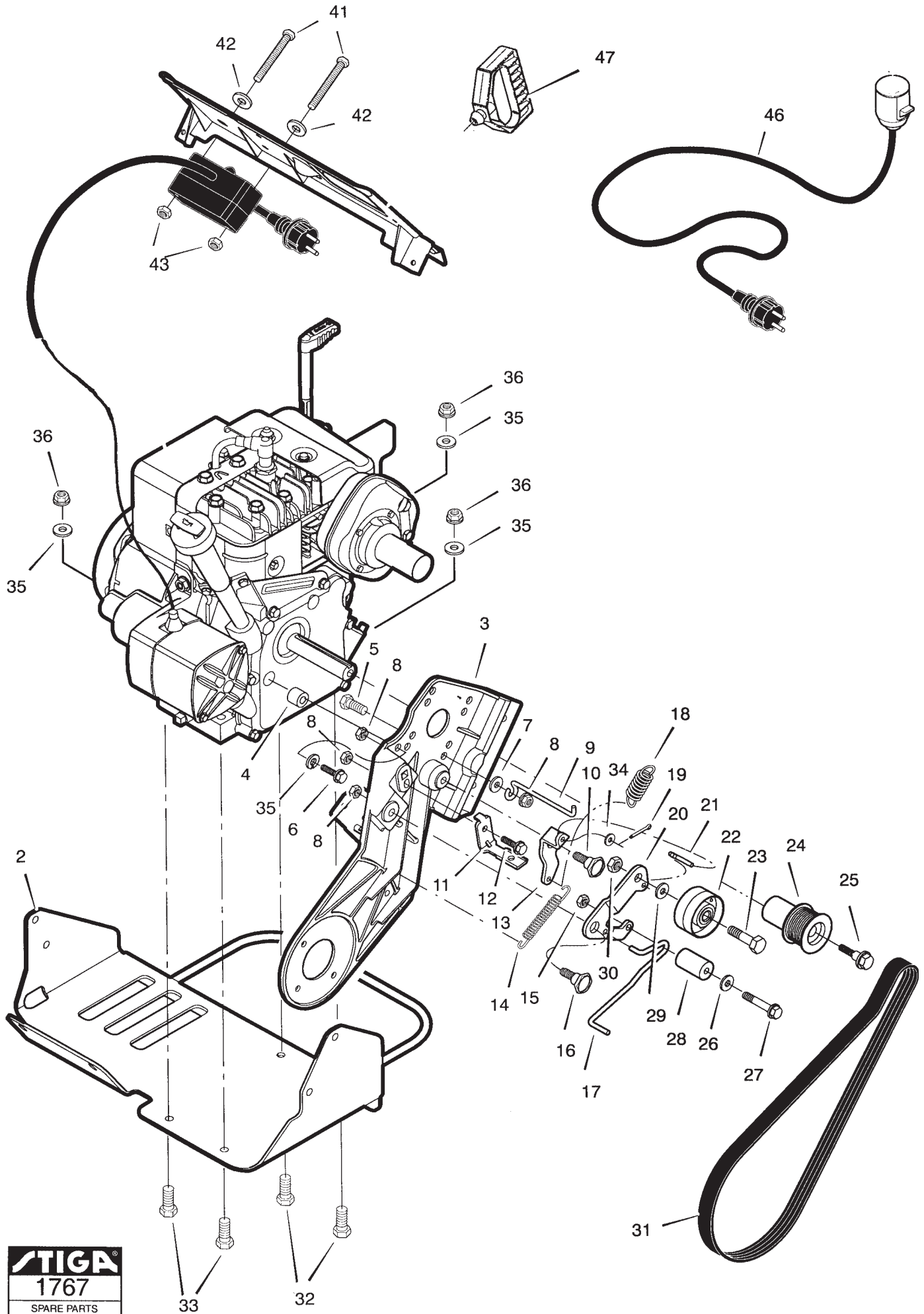




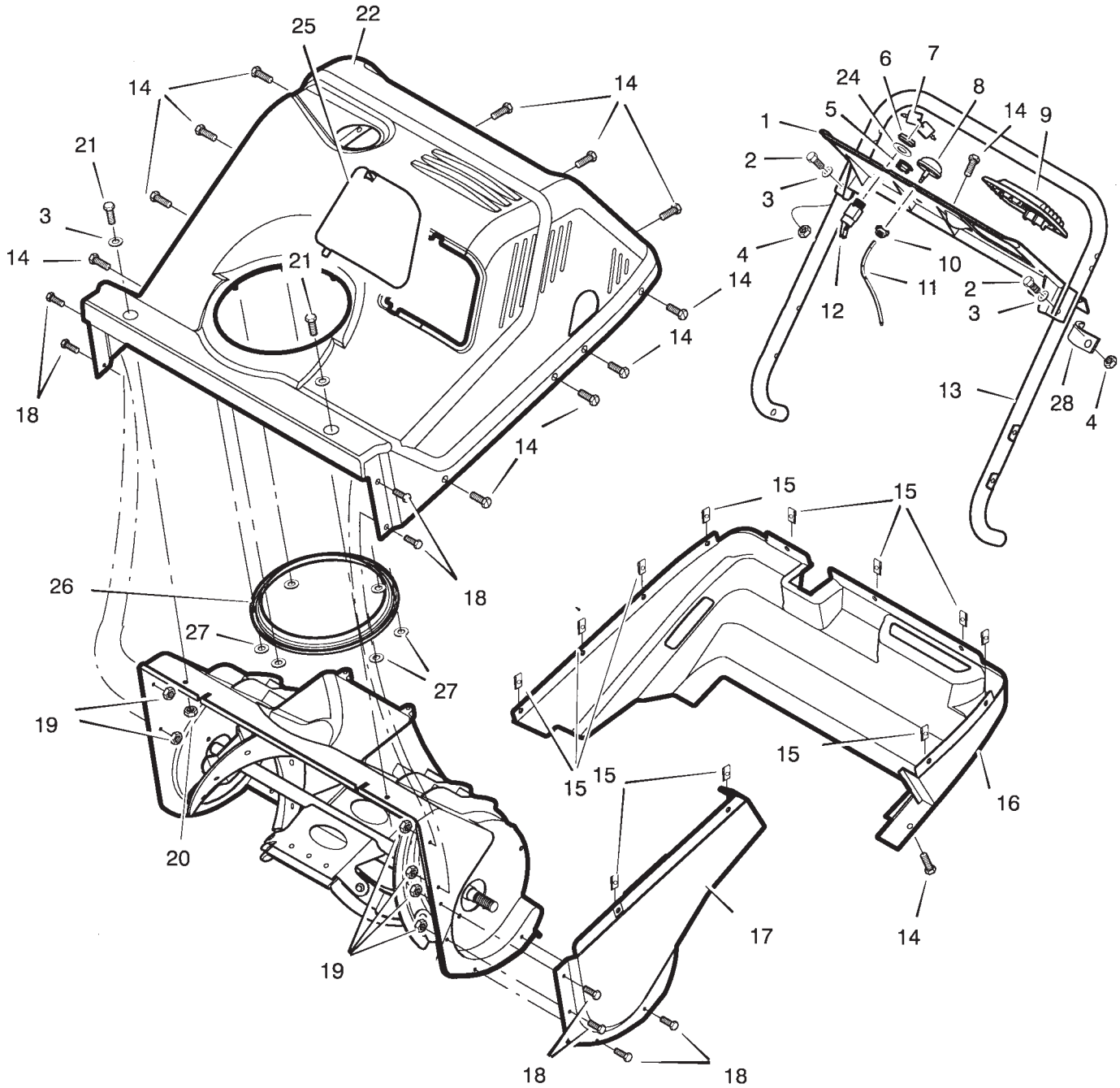
Utgåva Issue		Bildnr Picture No		SNOW BREEZE RS SNOW BREEZE ES STYRE HJUL		SNOW BREEZE RS SNOW BREEZE ES HANDLE WHEELS		Sida Page	
2005-14		1765						12	
Pos. Fig.	Antal/Quantity			Art nr Part No	Benämning	Description	Sats Kit	Anmärkning Notes	
	2825	2826							
1	1	1		1812-1989-01	Styre-överdel .....	Handle- upper .....			
2	1	1		1812-1961-01	Reglagebygel .....	Control bail .....			
3	1	1		1133-0968-01	Wirehylsa .....	Clutch spring boot .....			
4	1	1		1812-2002-01	Reglagewire .....	Control cable .....			
5	1	1		1133-0977-01	Wirefäste .....	Cable adjust bracket .....			
6	1	1		1812-1883-01	Reglagewire- nedre .....	Control cable- lower .....			
7	1	1		1812-1670-01	Fjäder .....	Spring .....			
8	2	2		1812-1973-01	U- bult .....	U- bolt .....			
9	2	2		1133-0933-01	Kupad bricka .....	Formed washer .....			
10	2	2		1812-1928-01	Låsratt .....	Wing knob .....			
11	1	1		1812-1960-01	Styre- underdel .....	Handle- lower .....			
12	4	4		1812-0812-01	Låsmutter .....	Locking nut .....			
13	4	4		9699-0028-02	Planbricka .....	Flat washer .....			
14	4	4		9988-3532-12	Skruv .....	Screw .....			
21	2	2		1133-1021-01	Låsring .....	Retaining ring .....			
22	2	2		9699-0035-02	Planbricka .....	Flat washer .....			
23	2	2		1812-1455-01	Hjul .....	Wheel .....			
24	2	2		1812-1922-01	Distans .....	Spacer sleeve .....			
25	1	1		1812-1975-01	Hjulaxel .....	Axle rod .....			
26	2	2		9699-0030-02	Planbricka .....	Flat washer .....			
X 99	1	1		8218-2203-09	Bruksanvisning .....	Owner's manual .....		Ej ill/not ill.	



Utgåva Issue 2005-14		Bildnr Picture No 1766		SNOW BREEZE RS SNOW BREEZE ES RAM BRÄNSLETANK		SNOW BREEZE RS SNOW BREEZE ES FRAME FUEL TANK		Sida Page 14
Pos. Fig.	Antal/Quantity			Art nr Part No	Benämning	Description	Sats Kit	Anmärkning Notes
	2825	2826						
X	1	4	4	9988-3519-16	Skruv .....	Screw .....		
	2	4	4	9699-0028-02	Planbricka .....	Flat washer .....		
	3	1	1	1812-2055-01	Fäste .....	Bracket .....		
	4	1	1	1812-1906-01	Tanklock .....	Fuel tank cap .....		
	5	1	1	1812-1971-01	Bränsletank .....	Fuel tank .....		
	6	8	8	1812-0812-01	Låsmutter .....	Locking nut .....		
	7	3	3	1812-0811-01	Låsmutter .....	Locking nut .....		
	8	2	2	1812-1998-01	Bränsleslang .....	Fuel line tubing .....		
	9	3	3	1812-1487-01	Slangklämma .....	Fuel line clamp .....		
	10	1	1	1812-1907-01	Bränslefilter .....	Fuel line filter .....		
	12	1	1	1812-1954-01	Motorvagga .....	Engine cradle .....		
	13	1	1	1812-1968-01	Ram- vä .....	Frame- LH .....		
	14	1	1	9988-3616-16	Skruv .....	Screw .....		
	15	4	4	9988-3551-12	Skruv .....	Screw .....		
	16	2	2	1812-1894-01	Platta .....	Bolting support plate .....		
	17	1	1	1812-1955-01	Ramstöd .....	Frame support .....		
	18	1	1	1812-1967-01	Ram- hö .....	Frame- RH .....		
	19	2	2	9988-3619-16	Skruv .....	Screw .....		
	20	1	1	1812-1943-01	Skumplastring .....	Foam ring .....		
	21	1	1	1133-0070-01	Slangklämma .....	Fuel line clamp .....		
	22	2	2	9988-3516-16	Skruv .....	Screw .....		



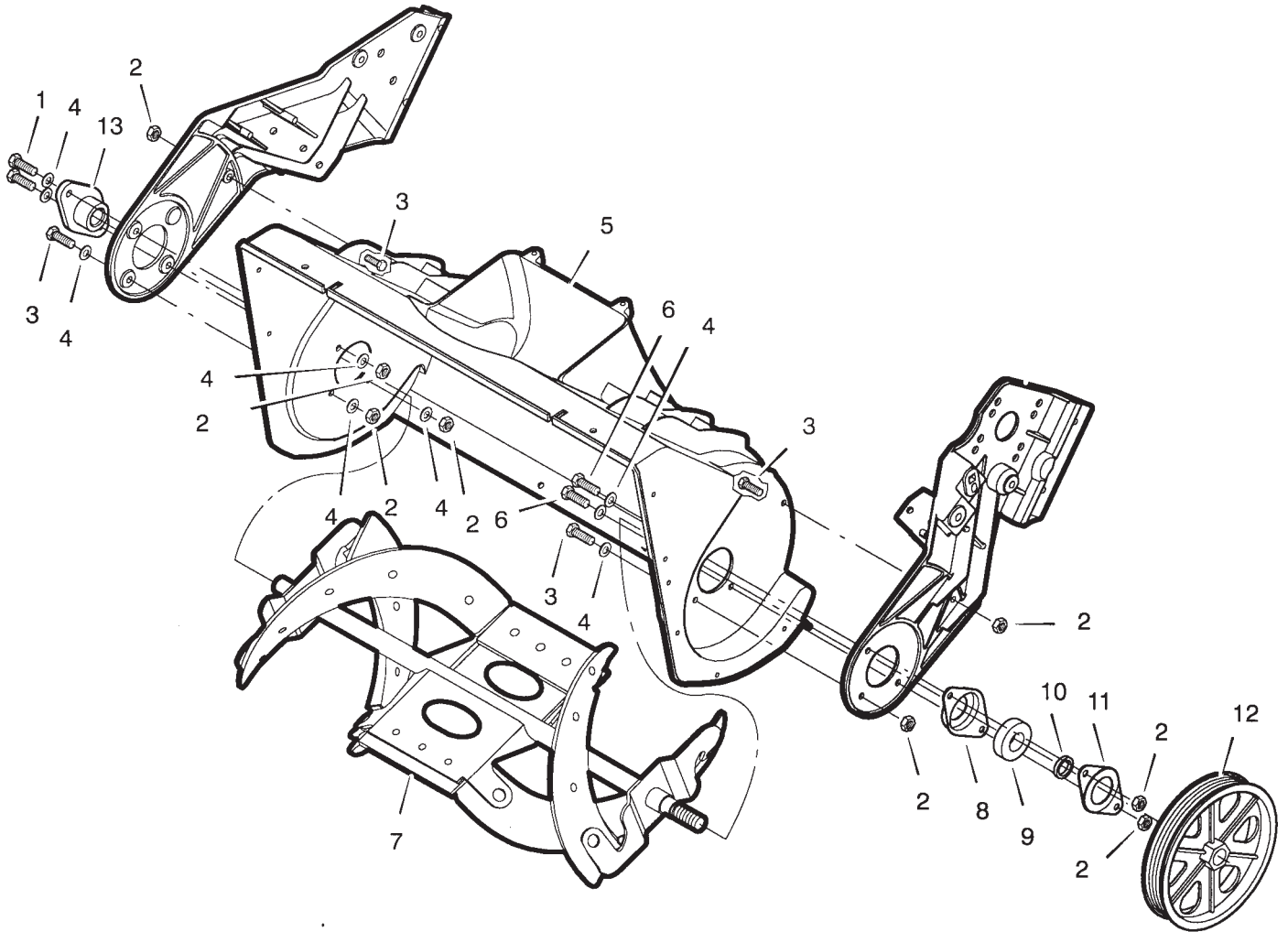
Utgåva Issue 2005-14		Bildnr Picture No 1767		SNOW BREEZE RS SNOW BREEZE ES REMTRANSMISSION MOTOR		SNOW BREEZE RS SNOW BREEZE ES BELT TRANSMISSION ENGINE		Sida Page 16
Pos. Fig.	Antal/Quantity			Art nr Part No	Benämning	Description	Sats Kit	Anmärkning Notes
	2825	2826						
2	1	1		1812-1954-01	Motorvagga .....	Engine cradle .....		
3	1	1		1812-1968-01	Ram- vä .....	Frame- LH .....		
4	4	4		1812-1997-01	Avvibrering .....	Antivibration mount .....		
5	1	1		9988-3625-16	Skruv .....	Screw .....		
6	4	4		1812-1918-01	Skruv .....	Screw .....		
7	1	1		9699-0029-02	Planbricka .....	Flat washer .....		
8	4	4		1812-0811-01	Låsmutter .....	Locking nut .....		
9	1	1		1812-1893-01	Remstyrning .....	Belt guide .....		
10	1	1		1812-1829-01	Ansatsbult .....	Shoulder bolt .....		
11	1	1		1812-1891-01	Brombelägg .....	Brake pad .....		
12	1	1		9988-3516-16	Skruv .....	Screw .....		
13	1	1		1812-1882-01	Spännarm .....	Idler pivot arm .....		
14	1	1		1812-1885-01	Fjäder .....	Spring .....		
15	1	1		1812-0812-01	Låsmutter .....	Locking nut .....		
16	1	1		1812-1829-01	Ansatsbult .....	Shoulder bolt .....		
17	1	1		1812-1896-01	Bromsstång .....	Brake wire .....		
18	1	1		1812-1670-01	Fjäder .....	Spring .....		
19	1	1		1812-1879-01	Låsnål .....	Cotter pin .....		
20	1	1		1812-1888-01	Spännarm .....	Idler bracket arm .....		
21	1	1		1812-1881-01	Länkstång .....	Clutch linkage rod .....		
22	1	1		1133-0936-01	Spännrulle .....	Idler pulley .....		
23	1	1		9988-3738-12	Skruv .....	Screw .....		
24	1	1		1812-1977-01	Motorremskiva .....	Engine belt pulley .....		
25	1	1		1812-1976-01	Bult .....	Bolt .....		
26	1	1		9699-0028-02	Planbricka .....	Flat washer .....		
27	1	1		9988-3551-12	Skruv .....	Screw .....		
28	1	1		1812-1897-01	Rulle .....	Pinch roller .....		
29	1	1		1812-1880-01	Planbricka .....	Flat washer .....		
30	1	1		9743-3721-32	Mutter .....	Nut .....		
31	1	1		1812-1878-01	Drivrem .....	Drive belt .....		
32	2	2		9988-3651-12	Skruv .....	Screw .....		
33	2	2		9988-3725-16	Skruv .....	Screw .....		
34	1	1		9699-0079-02	Bricka .....	Washer .....		
35	8	8		9683-0030-02	Låsbricka .....	Lock washer .....		
36	4	4		9795-3631-02	Mutter .....	Nut .....		
41		2		1812-1923-01	Skruv .....	Screw .....		
42		2		9699-0079-02	Bricka .....	Washer .....		
43		2		1812-1921-01	Mutter .....	Nut .....		
46		1		1812-1615-01	Förlängningsladd .....	Extension cord .....		
47	1	1		1812-1995-01	Handtag .....	Grip .....		





Utgåva Issue 2005-14		Bildnr Picture No 1768A		SNOW BREEZE RS SNOW BREEZE ES KÅPOR		SNOW BREEZE RS SNOW BREEZE ES COVERS		Sida Page 18	
Pos. Fig.	Antal/Quantity			Art nr Part No	Benämning	Description	Sats Kit	Anmärkning Notes	
	2825	2826							
1	1	1		1812-1962-01	Reglagepanel.....	Control panel.....			
2	2	2		9988-3532-12	Skruv.....	Screw.....			
3	4	4		9699-0028-02	Planbricka.....	Flat washer.....			
4	2	2		1812-0812-01	Låsmutter.....	Locking nut.....			
5	1	1		1812-1970-01	Bussning.....	Chute crank bushing.....			
6	1	1		1134-2852-01	Mutter.....	Nut.....			
7	1	1		1134-2848-01	Tändningsnyckel.....	Ignition key.....			
8	1	1		1812-1905-01	Primernippel.....	Primer bulb.....			
9	1	1		1812-1974-01	Lock.....	Cover.....			
10	1	1		9795-3531-02	Mutter.....	Nut.....			
11	1	1		1812-1496-01	Primerslang.....	Primer hose.....			
12	1	1		1133-0956-01	Tändningslås.....	Ignition switch.....			
13	1	1		1812-1960-01	Styre- underdel.....	Handle- lower.....			
14	13	13		1133-0955-01	Skruv.....	Screw.....			
15	11	11		1133-1026-01	Snabbmutter.....	Speed nut.....			
16	1	1		1812-1965-01	Kåpa- undre.....	Bottom cover.....			
17	1	1		1812-1996-01	Remskydd.....	Belt cover.....			
18	8	8		1812-0959-01	Bult.....	Bolt.....			
19	6	6		1812-0630-01	Mutter.....	Nut.....			
20	2	2		1812-1758-01	Mutter.....	Nut.....			
21	2	2		9988-3516-16	Skruv.....	Screw.....			
22	1	1		1812-1993-01	Kåpa- övre.....	Top cover.....			
24	1	1		1134-2853-01	Bricka.....	Washer.....			
25	1	1		1812-1966-01	Lock.....	Oil access cover.....			
26	1	1		1812-1987-01	Packning.....	Gasket.....			
27	6	6		1812-1916-01	Snabbmutter.....	Push nut.....			
28	1	1		1812-2018-01	Kabelklämma.....	Cable clamp.....			

X



Utgåva Issue		Bildnr Picture No		SNOW BREEZE RS SNOW BREEZE ES SNÖSKRUV		SNOW BREEZE RS SNOW BREEZE ES AUGER		Sida Page	
2005- 14		1769						20	
Pos. Fig.	Antal/Quantity			Art nr Part No	Benämning	Description	Sats Kit	Anmärkning Notes	
	2825	2826							
1	2	2		9988-3525-16	Skruv .....	Screw .....			
2	8	8		1812-0812-01	Låsmutter .....	Locking nut .....			
3	3	3		9988-3519-16	Skruv .....	Screw .....			
4	10	10		9699-0028-02	Planbricka .....	Flat washer .....			
5	1	1		1812-1956-01	Snöskruvhus .....	Auger housing .....			
6	2	2		9988-3516-16	Skruv .....	Screw .....			
7	1	1		1812-1984-01	Snöskruv .....	Auger .....			
8	1	1		1812-1925-01	Lagerhållare .....	Bearing retainer .....			
9	1	1		1812-1383-01	Kullager .....	Ball bearing .....			
10	1	1		1812-1895-01	Distans .....	Sleeve spacer .....			
11	1	1		1133-1000-01	Lagerhållare .....	Retainer plate .....			
12	1	1		1812-1889-01	Remskiva .....	Pulley .....			
13	1	1		1133-1019-01	Flänslager .....	Flange bearing .....			



Utgåva Issue		Bildnr Picture No		SNOW BREEZE RS SNOW BREEZE ES UTKAST INSTÄLLINGSVEV		SNOW BREEZE RS SNOW BREEZE ES DISCHARGE CHUTE CHUTE ROD		Sida Page	
2005- 14		1770A						22	
Pos. Fig.	Antal/Quantity			Art nr Part No	Benämning	Description	Sats Kit	Anmärkning Notes	
	2825	2826							
X	1	7	7	1133-0955-01	Skruv .....	Screw .....			
X	2	1	1	1812-2057-01	Hållare .....	Chute ring retainer .....			
	3	1	1	1812-2058-01	Utkastring .....	Chute ring .....			
	4	2	2	9899-3622-16	Skruv .....	Screw .....			
	6	1	1	1812-1953-01	Fäste-utkast .....	Chute neck .....			
	7	1	1	1812-1979-01	Utkastskärm .....	Upper chute .....			
	8	1	1	1812-1928-01	Låsraff .....	Wing knob .....			
	9	2	2	9699-0029-02	Planbricka .....	Flat washer .....			
	10	1	1	9678-0010-02	Låsbricka .....	Starlock .....			
	11	1	1	1812-0811-01	Låsmutter .....	Locking nut .....			
	12	1	1	1812-1678-01	Vagnsbult .....	Carriage bolt .....			
	13	1	1	1812-1978-01	Bult .....	Bolt .....			
	14	2	2	9699-0035-02	Planbricka .....	Flat washer .....			
	15	2	2	9743-3621-32	Mutter .....	Nut .....			
	16	1	1	1812-1994-01	Utkaströr .....	Lower chute .....			
	18	1	1	1812-1706-01	Drev .....	Gear .....			
	19	2	2	1812-1924-01	Skruv .....	Screw .....			
	20	1	1	1812-0396-01	Låsning .....	Retainer .....			
	21	1	1	1133-0959-01	Handtag .....	Knob .....			
	22	1	1	9699-0035-02	Planbricka .....	Flat washer .....			
	23	1	1	1812-1927-01	Vev .....	Chute rotation crank .....			
	25	2	2	1812-1791-01	Låsnål .....	Hair pin .....			
	26	1	1	1812-1708-01	Gaffel .....	Yoke adapter .....			
	27	1	1	9599-0033-00	Saxsprint .....	Split pin .....			
	28	1	1	1812-1316-01	Axel .....	Universal pin .....			
	29	1	1	1812-1318-01	Sprint .....	Clevis pin .....			
	30	1	1	1812-1317-01	Ledknut .....	Universal pivot block .....			
	31	1	1	1812-1969-01	Gaffelstång .....	Crank rod .....			
	32	4	4	9988-3519-16	Skruv .....	Screw .....			
	33	1	1	1812-1963-01	Skrapskär .....	Scraper blade .....			
	34	4	4	1812-1758-01	Mutter .....	Nut .....			
	595	1	1	1133-0970-01	Utkastskydd .....	Wire chute guide .....			
	596	1	1	1133-0944-01	Fjäder .....	Torsion chute spring .....			
	597	1	1	1133-0945-01	Fjäder .....	Torsion chute spring .....			
	598	2	2	1133-0937-01	Hattlåsning .....	Acorn nut .....			