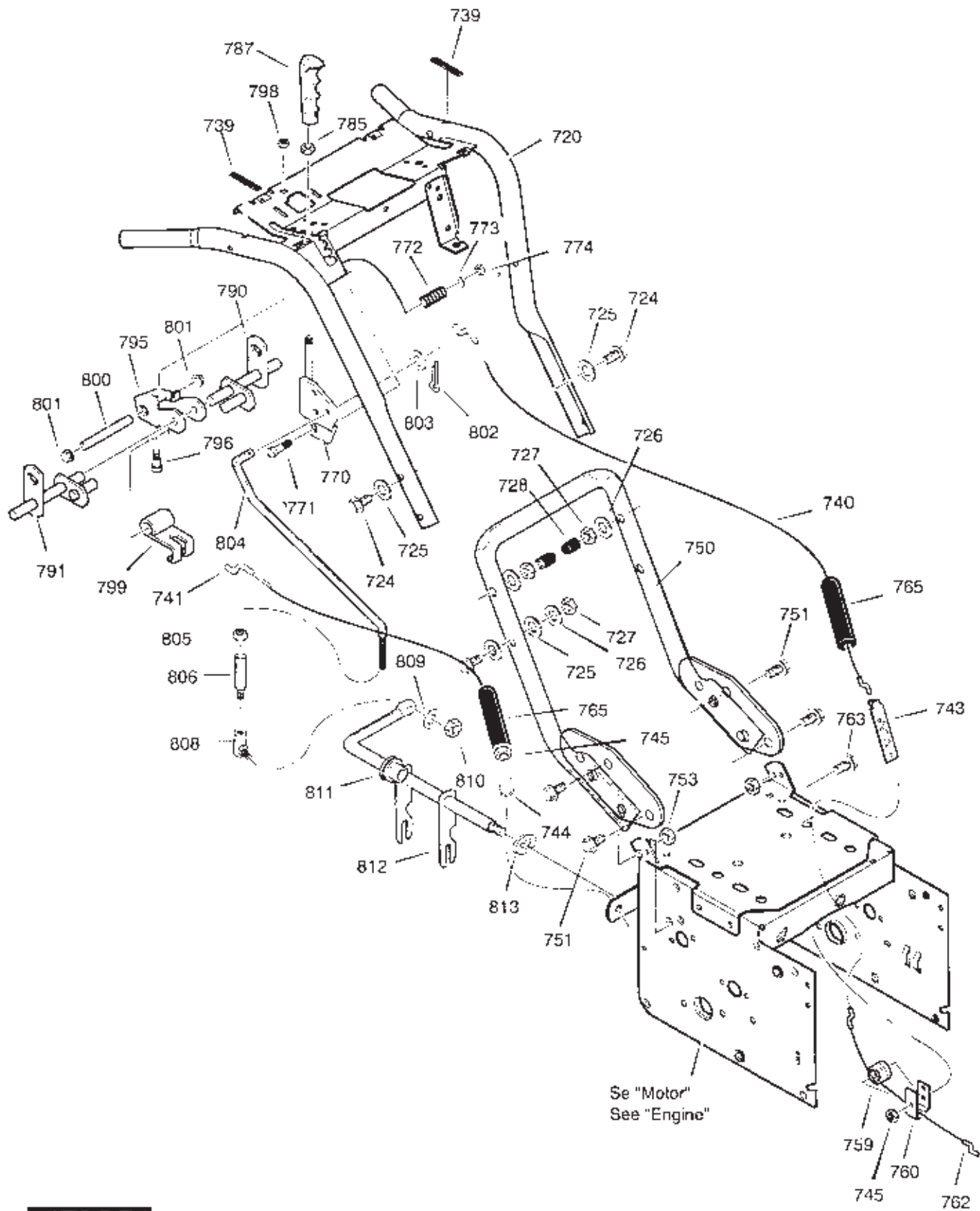


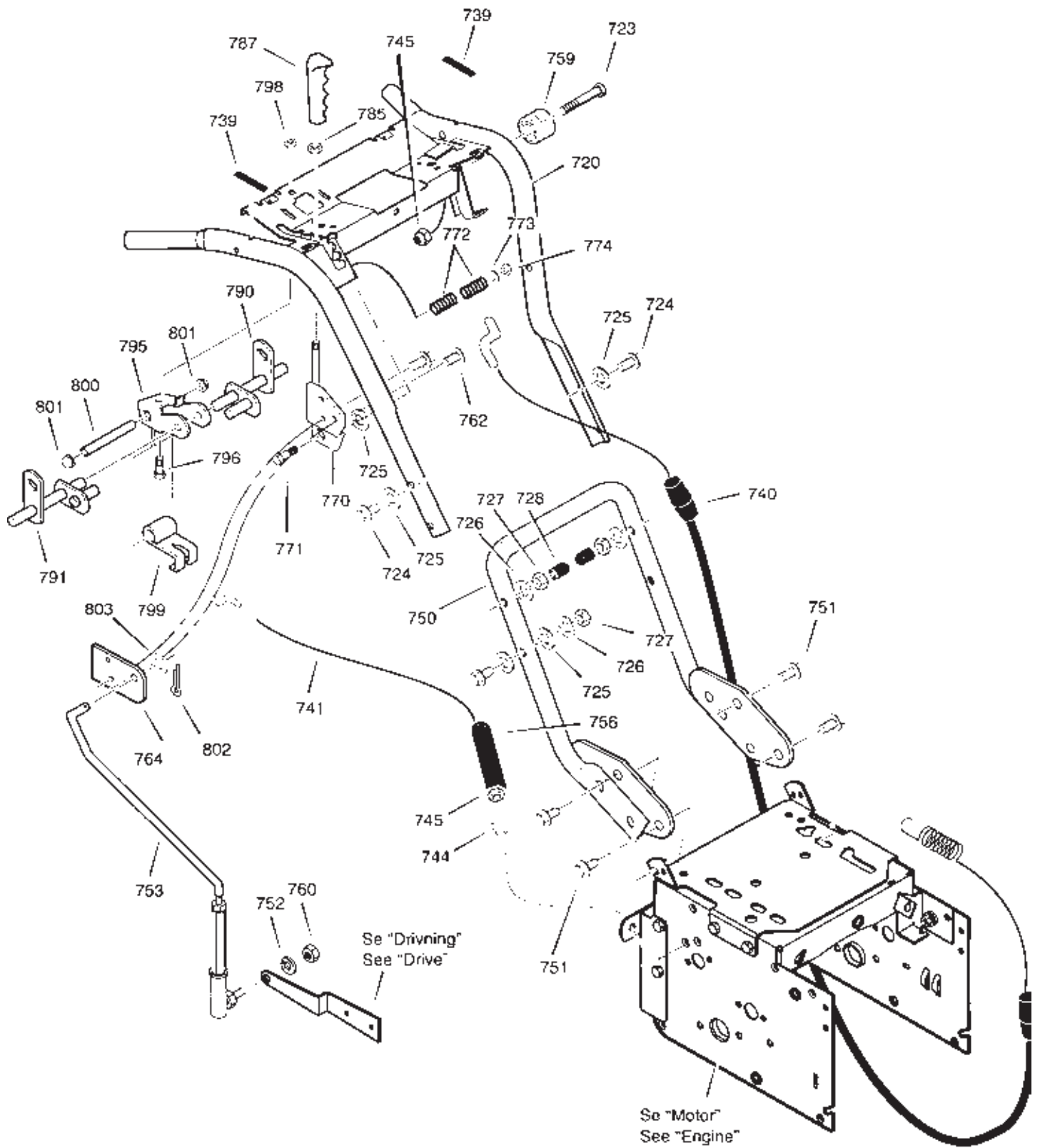
Genuine Spare Parts



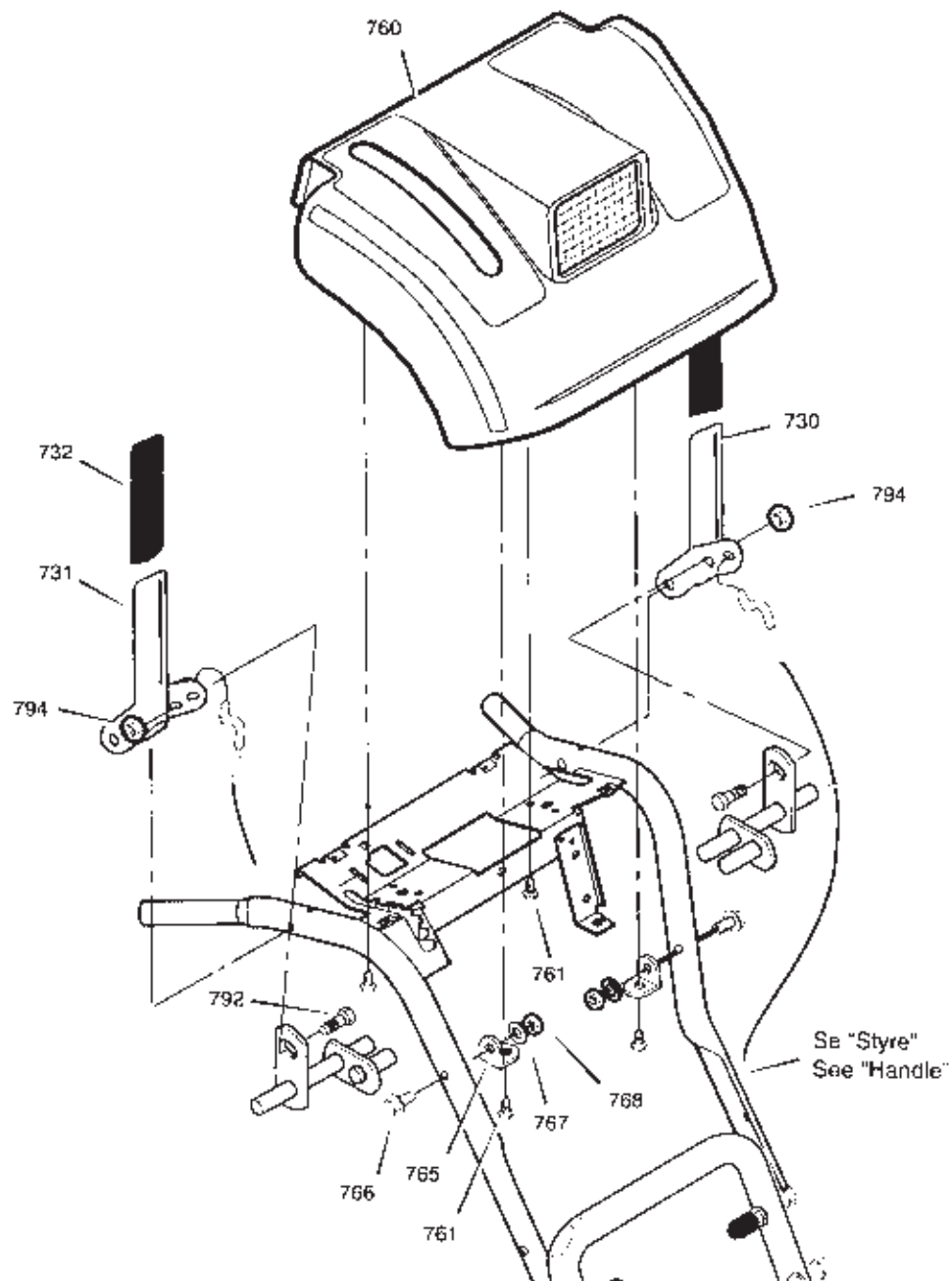


| | | | | |
|-----------------|----------------------|--------------------------------|---------------------------------|--------------|
| Utgåva Issue | Bildnr Picture No | 966D-1174 TRACK-1384D STYRE | 966D-1174 TRACK-1384D HANDLE | Sida Page |
| 2005-14 | 1525C | | | 78 |

| Pos Fig. | Antal/Quantity | | | Art nr Part No | Benämning | Description | Sats Kit | Anmärkning Notes |
|-------------|----------------|------|------|-------------------|-------------------------|----------------------------|-------------|---------------------|
| | 2848 | 2849 | 2862 | | | | | |
| X 720 | | 1 | | 1812-1812-01 | Styre-överdel | Handle-upper | | |
| 720 | 1 | | 1 | 1812-2091-01 | Styre-överdel | Handle-upper | | |
| 724 | 4 | 4 | 4 | 9988-3764-12 | Skruv | Screw | | |
| 725 | 6 | 6 | 6 | 9699-0035-02 | Planbricka | Flat washer | | |
| 726 | 4 | 4 | 4 | 9683-0035-02 | Låsbricka | Lock washer | | |
| 727 | 4 | 4 | 4 | 9795-3731-02 | Mutter | Nut | | |
| 728 | 2 | 2 | 2 | 1812-0830-01 | Plastknopp | Plastic stop | | |
| 739 | 2 | 2 | 2 | 1812-0520-01 | Skydd | Protection | | |
| 740 | 1 | 1 | 1 | 1812-1861-01 | Kopplingswire | Clutch cable | | |
| 741 | 1 | 1 | 1 | 1812-1819-01 | Reglagewire | Auger cable | | |
| 743 | 1 | 1 | 1 | 1133-0977-01 | Wirefaste | Cable adjust bracket | | |
| 744 | 1 | 1 | 1 | 1812-0254-01 | Fjäder | Spring | | |
| 745 | 2 | 2 | 2 | 1812-1760-01 | Mutter | Nut | | |
| 750 | | 1 | | 1812-0553-01 | Styre-underdel | Handle-lower | | |
| 750 | 1 | | 1 | 1812-1818-01 | Styre-underdel | Handle-lower | | |
| 751 | 4 | 4 | 4 | 1812-1833-01 | Skruv | Screw | | |
| 753 | 2 | 2 | 2 | 1812-1759-01 | Mutter | Nut | | |
| 759 | 1 | 1 | 1 | 1812-1205-01 | Spole | Spool | | |
| 760 | 1 | 1 | 1 | 1812-1702-01 | Fäste | Bracket | | |
| 762 | 1 | 1 | 1 | 1812-1727-01 | Reglagewire-nedre | Drive cable-lower | | |
| 763 | 1 | 1 | 1 | 1812-1772-01 | Skruv | Screw | | |
| 765 | 2 | 2 | 2 | 1133-0968-01 | Wirehylsa | Clutch spring boot | | |
| 770 | 1 | 1 | 1 | 1812-1865-01 | Vaxelspak | Shift lever | | |
| 771 | 1 | 1 | 1 | 9988-3745-12 | Skruv | Screw | | |
| 772 | 1 | 1 | 1 | 1812-0304-01 | Fjäder | Spring | | |
| 773 | 1 | 1 | 1 | 9699-0035-02 | Planbricka | Flat washer | | |
| 774 | 1 | 1 | 1 | 9743-3721-32 | Mutter | Nut | | |
| 785 | 1 | 1 | 1 | 9743-3721-32 | Mutter | Nut | | |
| 787 | 1 | 1 | 1 | 1133-0650-01 | Handtag | Handle | | |
| 790 | 1 | 1 | 1 | 1812-1414-01 | Spärrstång-vå | Bail rod-L.H. | | |
| 791 | 1 | 1 | 1 | 1812-1188-01 | Spärrstång-hö | Bail rod-R.H. | | |
| 795 | 1 | 1 | 1 | 1812-1593-01 | Fäste | Cam retainer bracket | | |
| 796 | 1 | 1 | 1 | 1812-1765-01 | Skruv | Screw | | |
| 798 | 1 | 1 | 1 | 9743-3621-32 | Mutter | Nut | | |
| 799 | 1 | 1 | 1 | 1812-0834-01 | Låsfjäder | Cam lock spring | | |
| 800 | 1 | 1 | 1 | 1812-1280-01 | Sprint | Pin latch | | |
| 801 | 2 | 2 | 2 | 1812-1483-01 | Låsning | Retainer | | |
| 802 | 1 | 1 | 1 | 9599-0036-02 | Saxsprint | Split pin | | |
| 803 | 1 | 1 | 1 | 9699-0029-02 | Planbricka | Flat washer | | |
| 804 | | 1 | | 1812-1871-01 | Reglagestång | Control rod | | |
| 804 | | | 1 | 1812-1945-01 | Reglagestång | Control rod | | |
| 805 | 1 | 1 | 1 | 9794-5131-02 | Mutter | Nut | | |
| 806 | 1 | 1 | 1 | 1812-0622-01 | Skruvhylsa | Adaptor | | |
| 808 | 1 | 1 | 1 | 1812-0627-01 | Kulled | Ball joint | | |
| 809 | 1 | 1 | 1 | 9683-0030-02 | Låsbricka | Lock washer | | |
| 810 | 1 | 1 | 1 | 9794-5131-02 | Mutter | Nut | | |
| 811 | 1 | 1 | 1 | 1812-1219-01 | Plastbussning | Plastic bushing | | |
| 812 | 1 | 1 | 1 | 1812-1720-01 | Växelarm | Yoke rod | | |
| 813 | 1 | 1 | 1 | 1812-1672-01 | Låsring | Retainer ring | | |
| X 998 | 1 | 1 | 1 | 8218-2217-03 | Bruksanvisning | Owner's manual | | Ej ill/not ill |

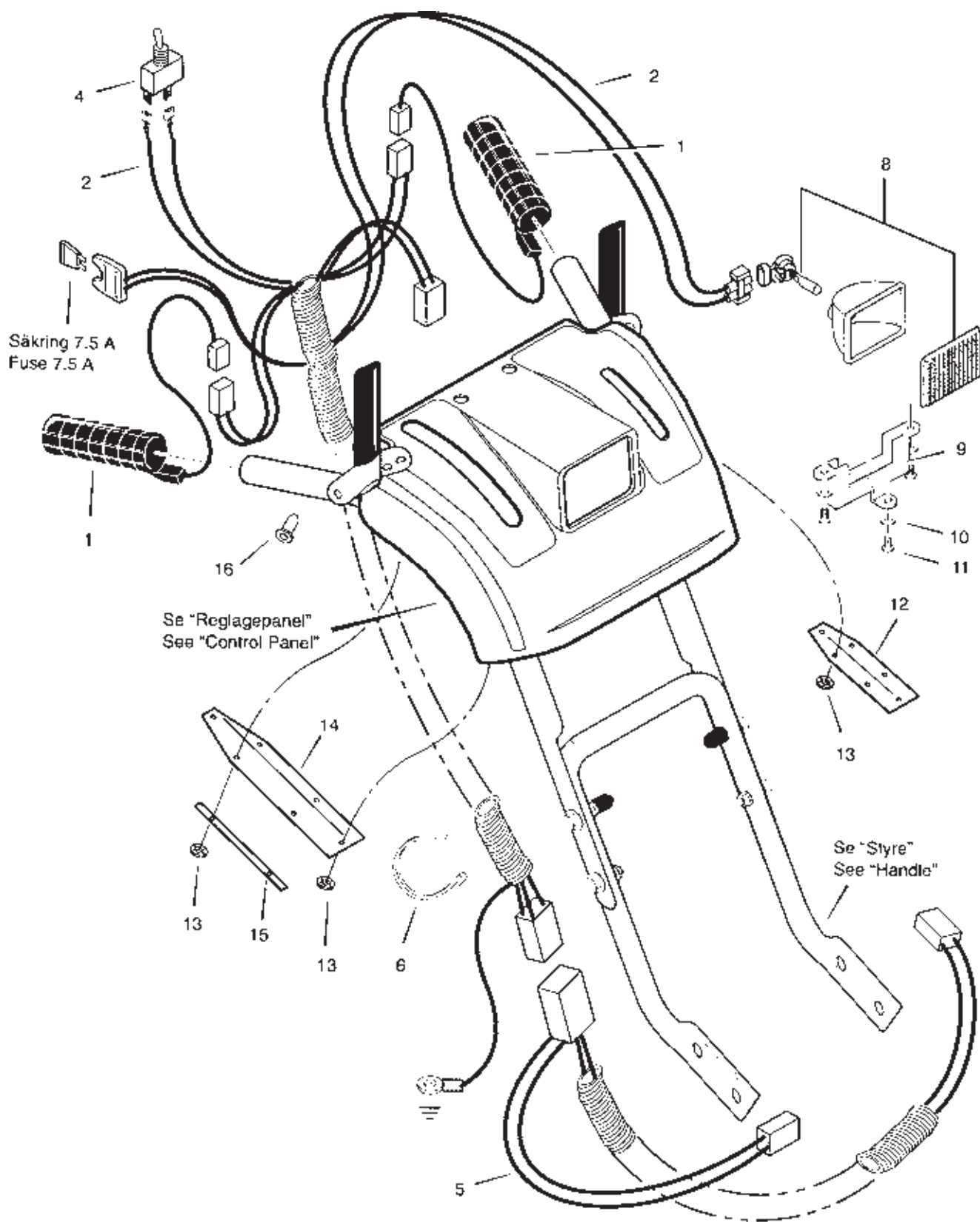


| Utgåva Issue | | Bildnr Picture No | | 1174 HST STYRE | 1174 HST HANDLE | Sida Page | | |
|-----------------|----------------|----------------------|--|-------------------|-----------------------|----------------------------|-------------|---------------------|
| 2005-14 | | 1524B | | | | 80 | | |
| Pos. Fig. | Antal/Quantity | | | Art nr Part No | Benämning | Description | Sats Kit | Anmärkning Notes |
| | 2846 | | | | | | | |
| 720 | 1 | | | 1812-1813-01 | Styre-överdel | Handle-upper | | |
| 723 | 1 | | | 9988-3532-12 | Skruv | Screw | | |
| 724 | 4 | | | 9988-3764-12 | Skruv | Screw | | |
| 725 | 7 | | | 9699-0035-02 | Planbricka | Flat washer | | |
| 726 | 4 | | | 9683-0035-02 | Låsbricka | Lock washer | | |
| 727 | 4 | | | 9795-3731-02 | Mutter | Nut | | |
| 728 | 2 | | | 1812-0830-01 | Plastknopp | Plastic stop | | |
| 739 | 2 | | | 1812-0520-01 | Skydd | Protection | | |
| 740 | 1 | | | 1812-1804-01 | Reglagewire | Drive cable | | |
| 741 | 1 | | | 1812-1819-01 | Reglagewire | Auger cable | | |
| 744 | 1 | | | 1812-0254-01 | Fjäder | Spring | | |
| 745 | 2 | | | 1812-1757-01 | Mutter | Nut | | |
| 750 | 1 | | | 1812-1818-01 | Styre- underdel | Handle- lower | | |
| 751 | 4 | | | 1812-1833-01 | Skruv | Screw | | |
| 752 | 1 | | | 9683-0030-02 | Låsbricka | Lock washer | | |
| 753 | 1 | | | 1812-1823-01 | Reglagestång | Drive rod | | |
| 756 | 1 | | | 1133-0968-01 | Wirehylsa | Clutch spring boot | | |
| 759 | 1 | | | 1812-1205-01 | Spole | Spool | | |
| 760 | 1 | | | 9794-5131-02 | Mutter | Nut | | |
| 762 | 2 | | | 9988-3516-16 | Skruv | Screw | | |
| 764 | 1 | | | 1812-1807-01 | Fäste | Control bracket | | |
| 770 | 1 | | | 1812-1811-01 | Växelspak | Shift bracket | | |
| 771 | 1 | | | 9988-3764-12 | Skruv | Screw | | |
| 772 | 2 | | | 1812-0304-01 | Fjäder | Spring | | |
| 773 | 1 | | | 9699-0035-02 | Planbricka | Flat washer | | |
| 774 | 1 | | | 9743-3721-32 | Mutter | Nut | | |
| 785 | 1 | | | 9743-3721-32 | Mutter | Nut | | |
| 787 | 1 | | | 1133-0650-01 | Handtag | Handle | | |
| 790 | 1 | | | 1812-1414-01 | Spärrstång-vä | Bail rod- L.H. | | |
| 791 | 1 | | | 1812-1413-01 | Spärrstång-hö | Rod- R.H. | | |
| 795 | 1 | | | 1812-1593-01 | Fäste | Cam retainer bracket | | |
| 796 | 1 | | | 1812-1765-01 | Skruv | Screw | | |
| 798 | 1 | | | 9743-3621-32 | Mutter | Nut | | |
| 799 | 1 | | | 1812-0834-01 | Låsfjäder | Cam lock spring | | |
| 800 | 1 | | | 1812-1280-01 | Sprint | Pin latch | | |
| 801 | 2 | | | 1812-1483-01 | Låsning | Retainer | | |
| 802 | 1 | | | 9599-0036-02 | Saxsprint | Split pin | | |
| 803 | 1 | | | 9699-0029-02 | Planbricka | Flat washer | | |
| x 998 | 1 | | | 8218-2217-03 | Bruksanvisning | Owner's manual | | Ej ill/not ill. |



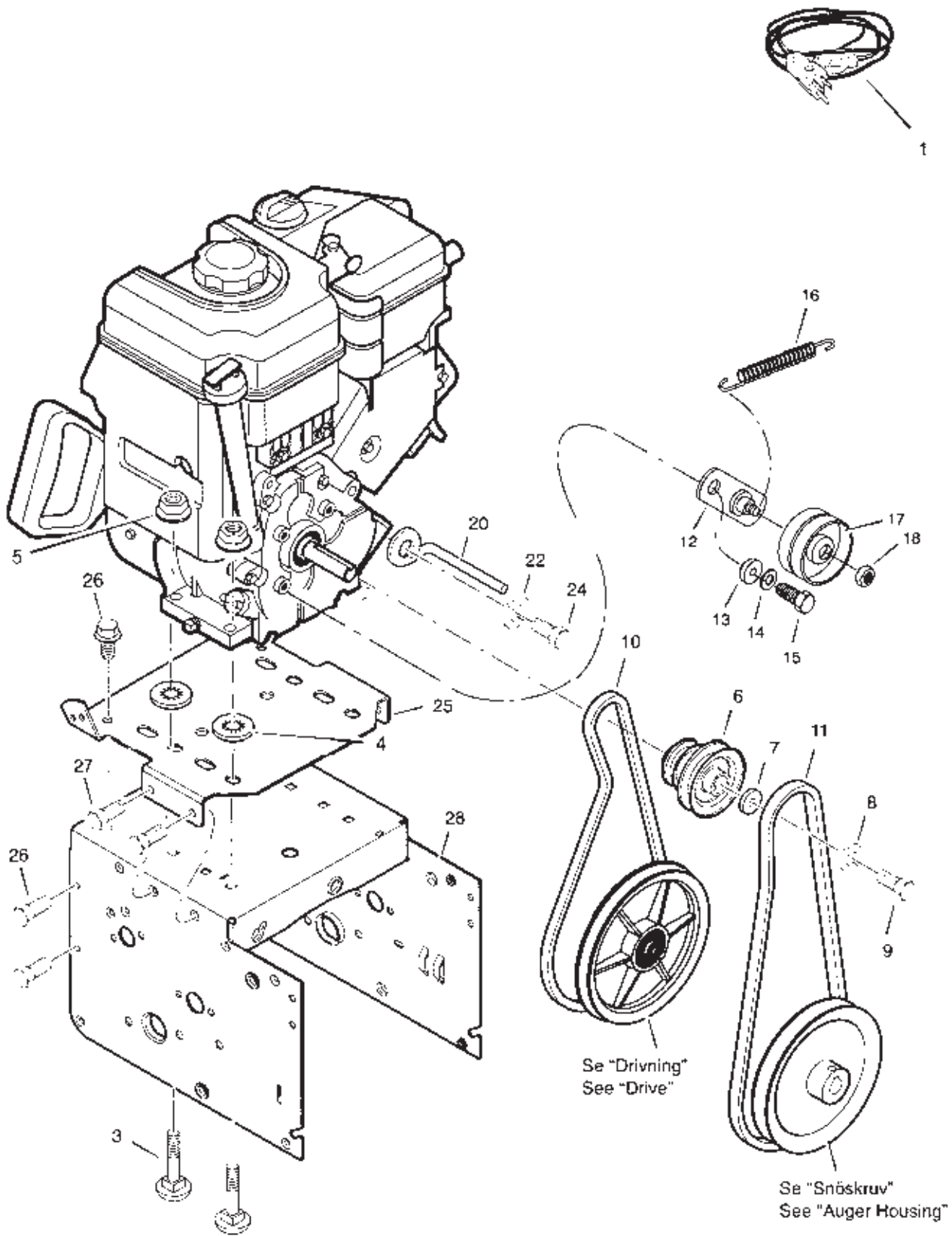
| | | | | |
|----------------------------|-------------------------------|--|---|--------------------|
| Utgåva Issue 2005-14 | Bildnr Picture No 1526C | 966D-1174 TRACK- 1174 HST-1384D REGLAGEPANEL | 966D-1174 TRACK- 1174 HST-1384D CONTROL PANEL | Sida Page 82 |
|----------------------------|-------------------------------|--|---|--------------------|

| Pos. Fig. | Antal/Quantity | | | | Art nr Part No | Benämning | Description | Sats Kit | Anmärkning Notes |
|--------------|----------------|------|------|------|-------------------|--------------------------|-----------------------|-------------|---------------------|
| | 2848 | 2849 | 2846 | 2862 | | | | | |
| X 730 | 1 | 1 | 1 | 1 | 1812-1802-01 | Kopplingshandtag-vä..... | Clutch handle-LH..... | | |
| 731 | 1 | 1 | 1 | 1 | 1812-1801-01 | Kopplingshandtag-hö..... | Clutch handle-RH..... | | |
| 732 | 2 | 2 | 2 | 2 | 1812-1774-01 | Handtag..... | Grip..... | | |
| 760 | 1 | 1 | 1 | 1 | 1812-2104-01 | Reglagepanel..... | Control panel..... | | |
| 761 | 4 | 4 | 4 | 4 | 1812-1394-01 | Skruv..... | Screw..... | | |
| 765 | 2 | 2 | 2 | 2 | 1812-1186-01 | Panelfäste..... | Panel bracket..... | | |
| 766 | 2 | 2 | 2 | 2 | 9988-3645-16 | Skruv..... | Screw..... | | |
| 767 | 2 | 2 | 2 | 2 | 9683-0030-02 | Låsbricka..... | Lock washer..... | | |
| 768 | 2 | 2 | 2 | 2 | 1812-1759-01 | Mutter..... | Nut..... | | |
| 792 | 2 | 2 | 2 | 2 | 9988-3513-16 | Skruv..... | Screw..... | | |
| 794 | 2 | 2 | 2 | 2 | 9795-3531-02 | Mutter..... | Nut..... | | |

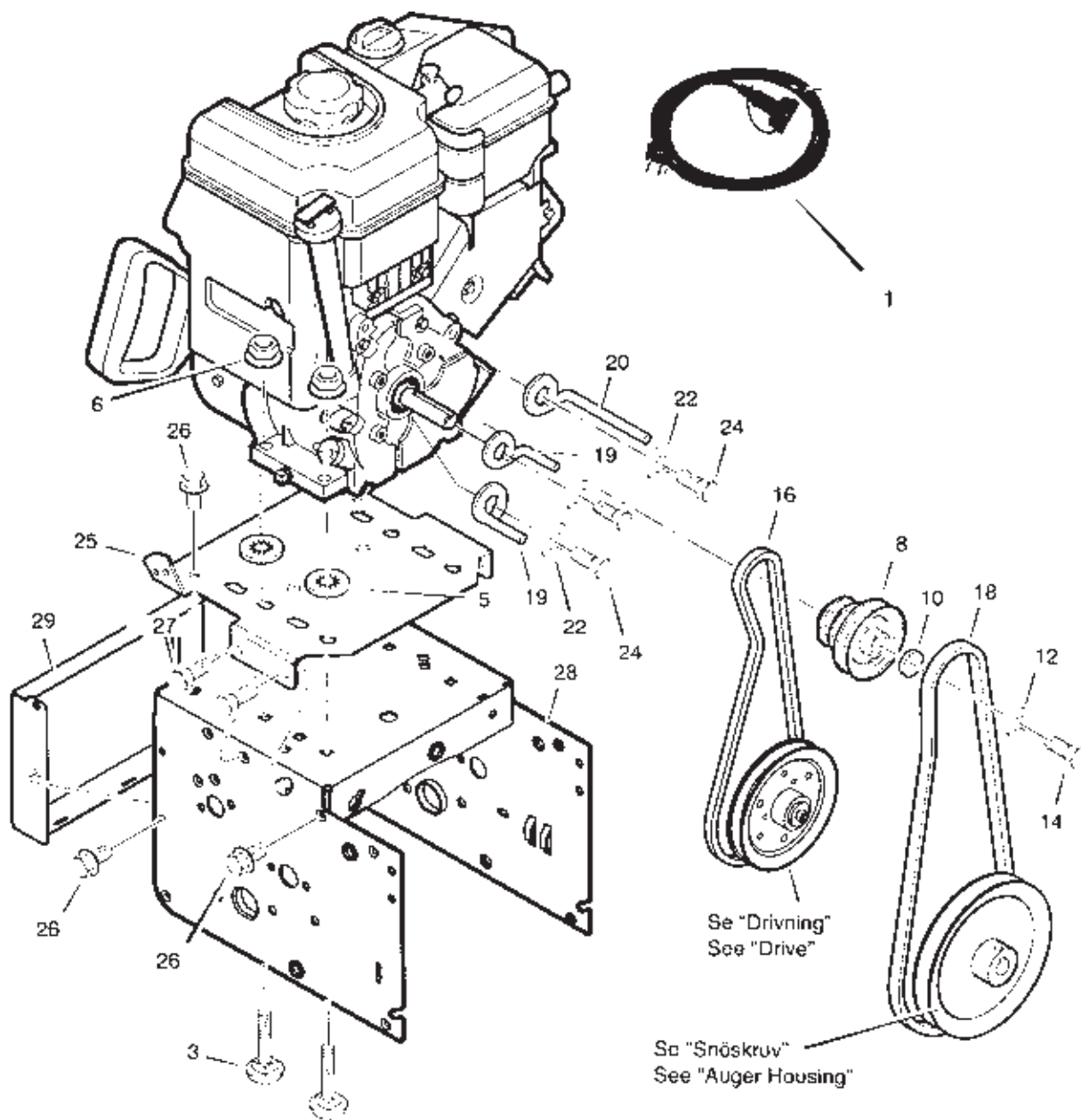


| | | | | |
|----------------------------|------------------------------|--|--|--------------------|
| Utgåva Issue 2005-14 | Bildnr Picture No 2008 | 9660-1174 TRACK- 1174 HST-1384D ELUTRUSTNING | 9660-1177 TRACK- 1174 HST-1384D WIRING | Sida Page 84 |
|----------------------------|------------------------------|--|--|--------------------|

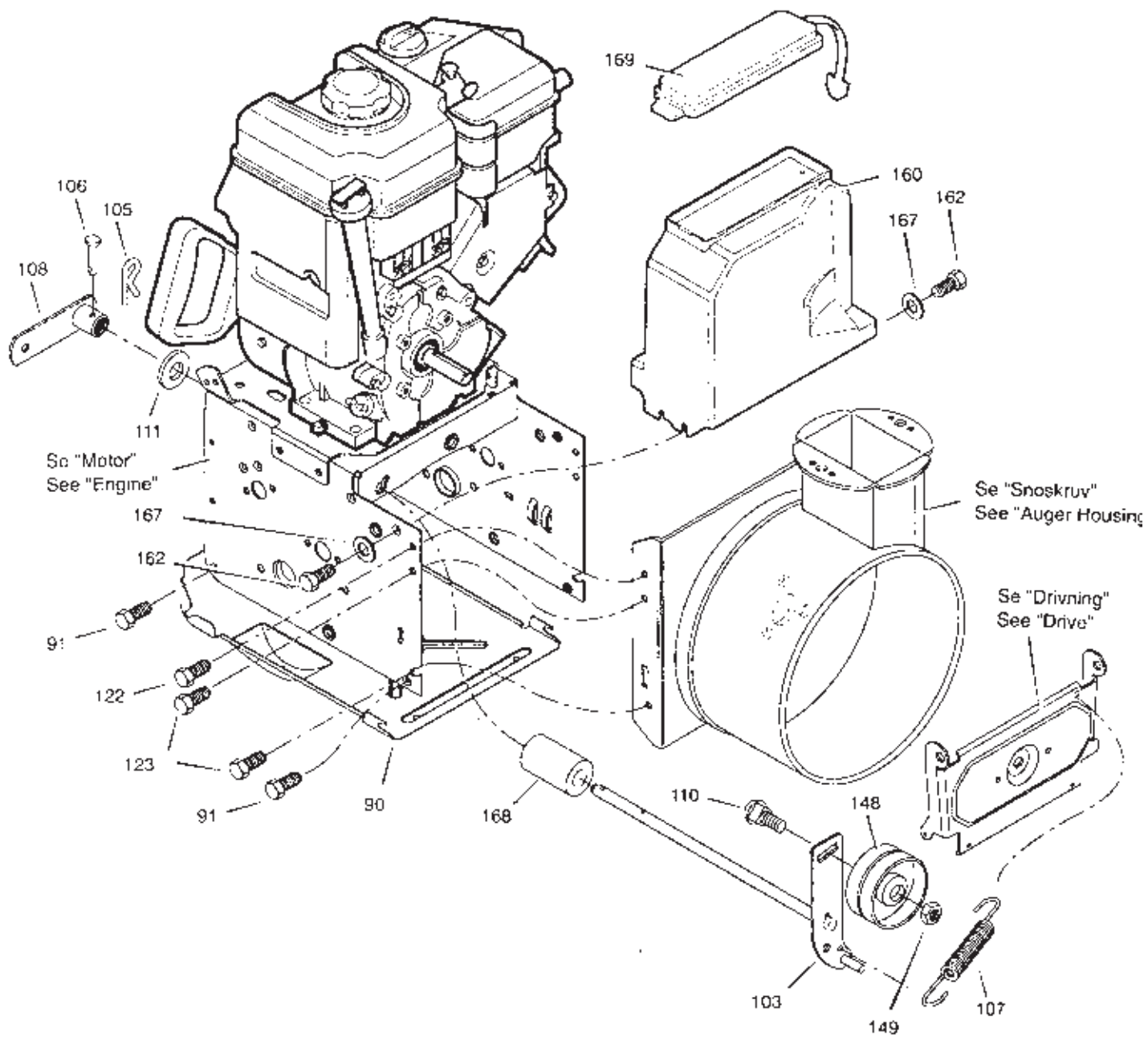
| Pos. Fig. | Antal/Quantity | | | | Art nr Part No | Benämning | Description | Sats Kit | Anmärkning Notes |
|--------------|----------------|------|------|------|-------------------|------------------------|--------------------------|-------------|---------------------|
| | 2848 | 2849 | 2846 | 2862 | | | | | |
| X 1 | 2 | 2 | 2 | 2 | 1812-2090-01 | Värmehandtag | Grip- heated | | |
| X 2 | 1 | 1 | 1 | 1 | 1812-2089-01 | Kablage-övre | Wire harness-upper | | |
| X 4 | 1 | 1 | 1 | 1 | 1812-2087-01 | Strömbrytare | Switch | | |
| X 5 | 1 | 1 | 1 | 1 | 1812-2088-01 | Kablage-nedre | Wire harness-lower | | |
| 6 | 1 | 1 | 1 | 1 | 9579-0003-00 | Buntband | Cable holder | | |
| 8 | 1 | 1 | 1 | 1 | 1812-1780-01 | Strålkastare kpl. | Headlight assy. | | |
| 8A | 1 | 1 | 1 | 1 | 1812-1909-01 | • Halogenlampa | • Halogene bulb | | 27W |
| 9 | 1 | 1 | 1 | 1 | 1812-1187-01 | Lampfäste | Light bracket | | |
| 10 | 3 | 3 | 3 | 3 | 1812-1477-01 | Planbricka | Flat washer | | |
| 11 | 3 | 3 | 3 | 3 | 1812-1476-01 | Skruv | Screw | | |
| 12 | 1 | 1 | 1 | 1 | 1812-1816-01 | Lock | Cover | | |
| 13 | 12 | 12 | 12 | 12 | 1812-1769-01 | Låsning | Push nut | | |
| 14 | 1 | 1 | 1 | 1 | 1812-1815-01 | Lock | Cover | | |
| 15 | 4 | 4 | 4 | 4 | 1812-1797-01 | List | Strip | | |
| 16 | 2 | 2 | 2 | 2 | 1812-1462-01 | Popnit | Pop rivet | | |



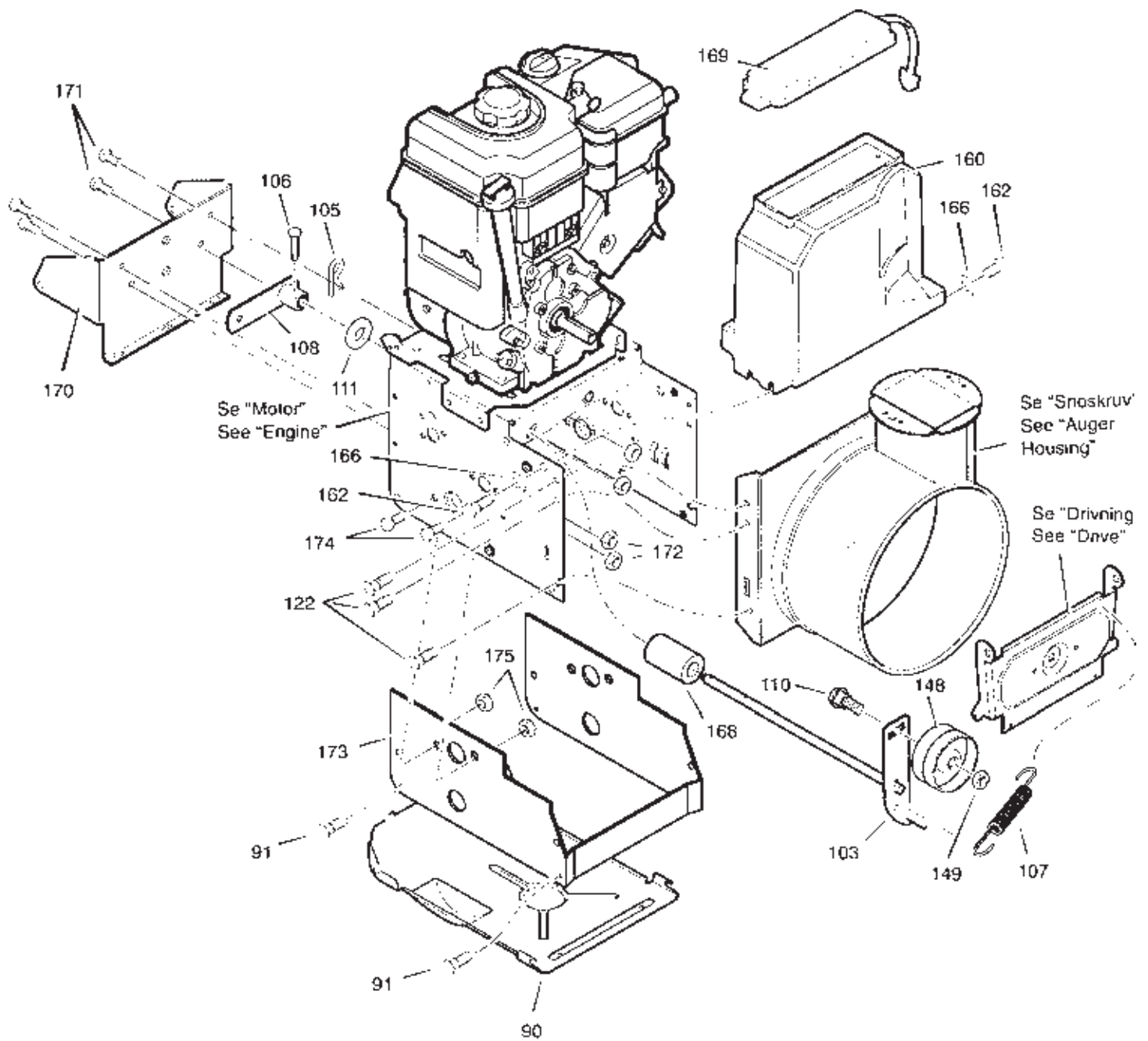
| Utgåva Issue 2005-14 | | Bildnr Picture No 1636 | | 966D-1174 TRACK-1384D MOTOR | 966D-1174 TRACK-1384D ENGINE | Sida Page 86 | | |
|----------------------------|----------------|------------------------------|------|--------------------------------|---------------------------------|--------------------------|-------------|---------------------|
| Pos. Fig. | Antal/Quantity | | | Art nr Part No | Benämning | Description | Sals Kil | Anmärkning Notes |
| | 2848 | 2849 | 2862 | | | | | |
| 1 | 1 | 1 | 1 | 1812-1615-01 | Förlängningssladd | Extension cord | | |
| 3 | 4 | 4 | 4 | 1812-1678-01 | Vagnsbult | Carriage bolt | | |
| 4 | 4 | 4 | 4 | 1812-1681-01 | Hållare | Retainer | | |
| 5 | 4 | 4 | 4 | 9795-3631-02 | Mutter | Nut | | |
| 6 | 1 | 1 | 1 | 1812-1719-01 | Motorremskiva | Engine pulley | | |
| 7 | 1 | | | 1812-1677-01 | Bricka | Washer | | |
| 7 | | 1 | 1 | 1812-1691-01 | Bricka | Washer | | |
| 8 | 1 | 1 | 1 | 9683-0035-02 | Låsbricka | Lock washer | | |
| 9 | | 1 | 1 | 1133-0762-01 | Skruv | Screw | | |
| X 9 | 1 | | | 1812-2079-01 | Skruv | Screw | | |
| 10 | 1 | 1 | 1 | 1812-9016-01 | Drivrem | Drive belt | | |
| 11 | 1 | 1 | 1 | 1812-9020-01 | Drivrem | Drive belt | | |
| 12 | 1 | 1 | 1 | 1812-1722-01 | Spännrullsfäste | Idler bracket | | |
| 13 | 1 | 1 | 1 | 1812-1705-01 | Bussning | Bushing | | |
| 14 | 1 | 1 | 1 | 9683-0030-02 | Låsbricka | Lock washer | | |
| 15 | 1 | 1 | 1 | 9987-5119-16 | Skruv | Screw | | |
| 16 | 1 | 1 | 1 | 1812-1835-01 | Fjäder | Spring | | |
| X 17 | 1 | 1 | 1 | 1812-2077-01 | Spännrulle | Tension roller | | |
| 18 | 1 | 1 | 1 | 9743-3721-32 | Mutter | Nut | | |
| 20 | 2 | 2 | 2 | 1812-1742-01 | Remstyrning | Belt guide | | |
| 22 | 2 | 2 | 2 | 9683-0030-02 | Låsbricka | Lock washer | | |
| 24 | 2 | 2 | 2 | 9987-5119-16 | Skruv | Screw | | |
| 25 | 1 | 1 | 1 | 1812-1703-01 | Motorplatta | Engine mount plate | | |
| 26 | 6 | 6 | 6 | 9988-3516-16 | Skruv | Screw | | |
| 27 | 4 | 4 | 4 | 1812-1832-01 | Skruv | Screw | | |
| 28 | | 1 | | 1812-1749-01 | Motorchassi | Engine box frame | | |
| 28 | 1 | | 1 | 1812-1938-01 | Motorchassi | Engine box frame | | |



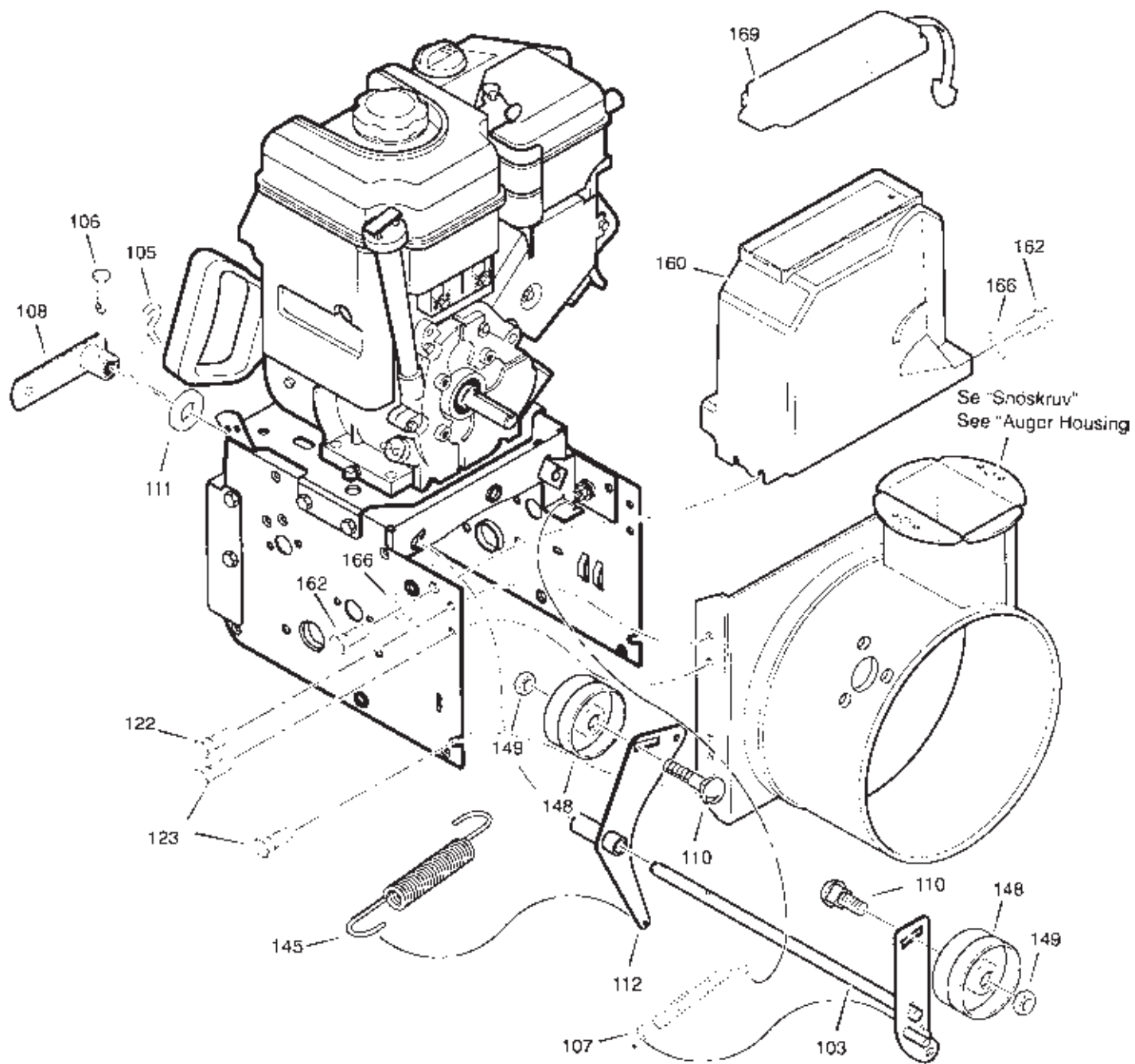
| Utgåva Issue | | Bildnr Picture No | | 1174 HST MOTOR | | 1174 HST ENGINE | | Sida Page | |
|-----------------|----------------|----------------------|-------------------|-------------------------|--------------------------|--------------------|---------------------|--------------|--|
| 2005-14 | | 1528B | | | | | | 88 | |
| Pos. Fig. | Antal/Quantity | | Art nr Part No | Benämning | Description | Sats Kit | Anmärkning Notes | | |
| | 2846 | | | | | | | | |
| 1 | 1 | | 1812-1615-01 | Förlängningssladd | Extension cord | | | | |
| 3 | 4 | | 1812-1678-01 | Vagnsbult | Carriage bolt | | | | |
| 5 | 4 | | 1812-1681-01 | Hållare | Retainer | | | | |
| 6 | 4 | | 9795-3631-02 | Mutter | Nut | | | | |
| 8 | 1 | | 1812-1719-01 | Motorremskiva | Engine pulley | | | | |
| 10 | 1 | | 1812-1691-01 | Bricka | Washer | | | | |
| 12 | 1 | | 9683-0035-02 | Låsbricka | Lock washer | | | | |
| 14 | 1 | | 1133-0762-01 | Skruv | Screw | | | | |
| 16 | 1 | | 1812-9027-01 | Drivrem | Drive belt | | | | |
| 18 | 1 | | 1812-9020-01 | Drivrem | Drive belt | | | | |
| 19 | 2 | | 1812-1808-01 | Remstyrning | Belt guide | | | | |
| 20 | 1 | | 1812-1742-01 | Remstyrning | Belt guide | | | | |
| 22 | 3 | | 9683-0030-02 | Låsbricka | Lock washer | | | | |
| 24 | 3 | | 9987-5119-16 | Skruv | Screw | | | | |
| 25 | 1 | | 1812-1703-01 | Motorplatta | Engine mount plate | | | | |
| 26 | 6 | | 9988-3516-16 | Skruv | Screw | | | | |
| 27 | 4 | | 1812-1832-01 | Skruv | Screw | | | | |
| 28 | 1 | | 1812-1792-01 | Motorchassi | Engine box frame | | | | |
| 29 | 1 | | 1812-1798-01 | Bakplåt | Back panel | | | | |



| Utgåva Issue | | Bildnr Picture No | | 966D-1384D RAM | 966D-1384D FRAME | Sida Page | |
|-----------------|----------------|----------------------|-------------------|-------------------|-------------------------|--------------|---------------------|
| 2005-14 | | 15308 | | | | 90 | |
| Pos. Fig. | Antal/Quantity | | Art nr Part No | Benämning | Description | Sats Kit | Anmärkning Notes |
| | 2848 | 2862 | | | | | |
| | 1 | 1 | 1812-1700-01 | Bottenplåt | Bottom cover | | |
| | 4 | 4 | 9988-3516-16 | Skruv | Screw | | |
| | 1 | 1 | 1812-2004-01 | Spännarm | Idler | | |
| | 1 | 1 | 1812-1511-01 | Låsstift | Hair pin | | |
| | 1 | 1 | 1812-1533-01 | Pinne | Klik pin | | |
| | 1 | 1 | 1812-1676-01 | Fjäder | Tension spring | | |
| | 1 | 1 | 1812-1693-01 | Fjäderläste | Spring attachment | | |
| | 1 | 1 | 9699-3732-16 | Skruv | Screw | | |
| | 1 | 1 | 1812-1509-01 | Planbricka | Flat washer | | |
| | 2 | 2 | 1812-1832-01 | Skruv | Screw | | |
| | 4 | 4 | 1812-1833-01 | Skruv | Screw | | |
| X | 1 | 1 | 1812-2077-01 | Spännrulle | Tension roller | | |
| | 1 | 1 | 9743-3721-32 | Mutter | Nut | | |
| X | 1 | 1 | 1812-2105-01 | Remskydd | Belt cover | | |
| | 2 | 2 | 1812-1680-01 | Skruv | Screw | | |
| | 2 | 2 | 9699-0028-02 | Planbricka | Flat washer | | |
| X | 1 | 1 | 1812-2075-01 | Distans | Spacer | | |
| | 1 | 1 | 1812-1777-01 | Lock | Tool box lid | | |

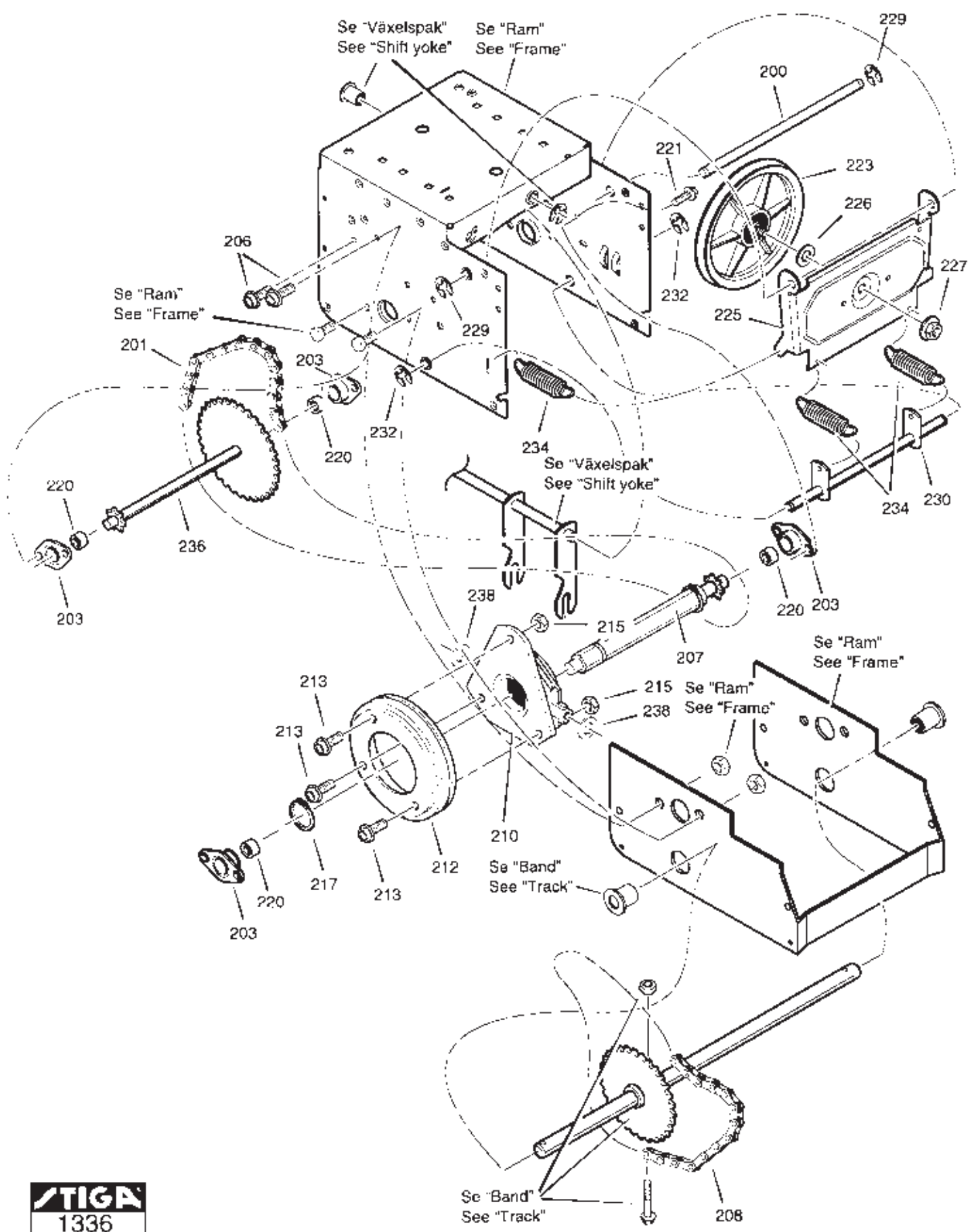


| Utgåva Issue | | Bildnr Picture No | | 1174 TRACK RAM | | 1174 TRACK FRAME | | Sida Page | |
|-----------------|----------------|----------------------|--|-------------------|-----------------------|-------------------------|-------------|---------------------|--|
| 2005-14 | | 1329B | | | | | | 92 | |
| Pos. Fig. | Antal/Quantity | | | Art nr Part No | Benämning | Description | Sats Kit | Anmärkning Notes | |
| | | | | | | | | | |
| | 2849 | | | | | | | | |
| | 90 | 1 | | 1812-1700-01 | Boltenplåt | Bottom cover | | | |
| | 91 | 4 | | 9988-3516-16 | Skruv | Screw | | | |
| | 103 | 1 | | 1812-1809-01 | Spännarm | Auger idler | | | |
| | 105 | 1 | | 1812-1511-01 | Låsstift | Hair pin | | | |
| | 106 | 1 | | 1812-1533-01 | Pinne | Klik pin | | | |
| | 107 | 1 | | 1812-1676-01 | Fjäder | Tension spring | | | |
| | 108 | 1 | | 1812-1693-01 | Fjäderfäste | Spring attachment | | | |
| | 110 | 1 | | 9899-3732-16 | Skruv | Screw | | | |
| | 111 | 1 | | 1812-1509-01 | Planbricka | Flat washer | | | |
| | 122 | 8 | | 1812-1832-01 | Skruv | Screw | | | |
| X | 148 | 1 | | 1812-2077-01 | Spännrulle | Tension roller | | | |
| | 149 | 1 | | 9743-3721-32 | Mutter | Nut | | | |
| X | 160 | 1 | | 1812-2105-01 | Remskydd | Belt cover | | | |
| | 162 | 2 | | 1812-1680-01 | Skruv | Screw | | | |
| | 166 | 2 | | 9699-0028-02 | Planbricka | Flat washer | | | |
| X | 168 | 1 | | 1812-2075-01 | Distans | Spacer | | | |
| | 169 | 1 | | 1812-1777-01 | Lock | Tool box lid | | | |
| | 170 | 1 | | 1812-1744-01 | Fäste | Bracket | | | |
| | 171 | 4 | | 1812-1833-01 | Skruv | Screw | | | |
| | 172 | 4 | | 9795-3631-02 | Mutter | Nut | | | |
| | 173 | 1 | | 1812-1743-01 | Chassipåbyggnad | Frame extension | | | |
| | 174 | 4 | | 9954-3719-16 | Skruv | Screw | | | |
| | 175 | 4 | | 9795-3731-02 | Mutter | Nut | | | |

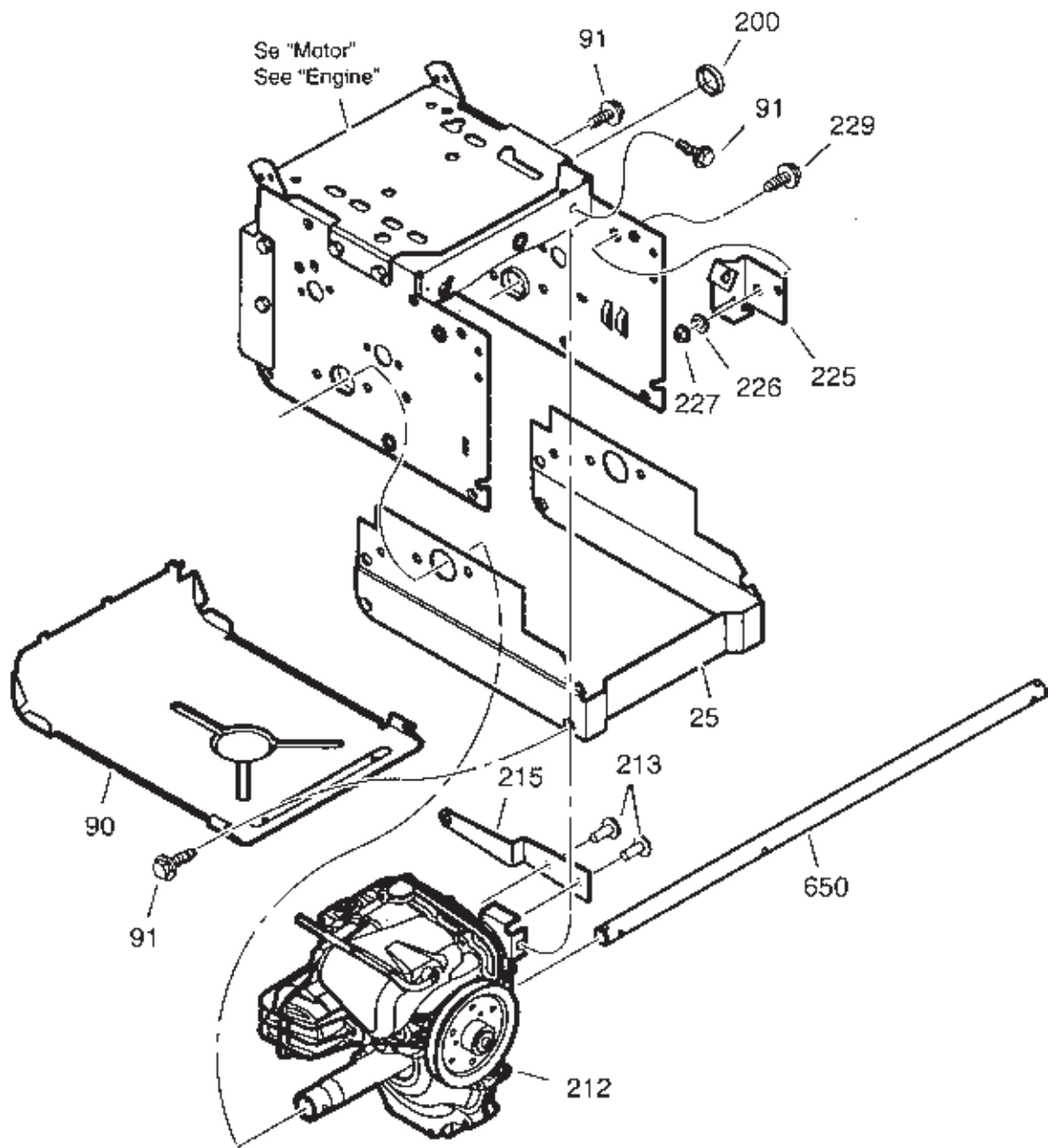


| Utgåva Issue 2005-14 | | Bildnr Picture No 1529B | | 1174 HST RAM | | 1174 HST FRAME | | Sida Page 94 | |
|----------------------------|----------------|-------------------------------|--|-------------------|------------------|------------------------|-------------|---------------------|--|
| Pos. Fig. | Antal/Quantity | | | Art nr Part No | Benämning | Description | Sals Kit | Anmärkning Notes | |
| | | | | | | | | | |
| | 2846 | | | | | | | | |
| 103 | 1 | | | 1812-1809-01 | Spännarm..... | Auger idler..... | | | |
| 105 | 1 | | | 1812-1511-01 | Låsstift..... | Hair pin..... | | | |
| 106 | 1 | | | 1812-1533-01 | Pinne..... | Klik pin..... | | | |
| 107 | 1 | | | 1812-1676-01 | Fjäder..... | Tension spring..... | | | |
| 108 | 1 | | | 1812-1693-01 | Fjäderläste..... | Spring attachment..... | | | |
| 110 | 2 | | | 9699-3732-16 | Skruv..... | Screw..... | | | |
| 111 | 1 | | | 1812-1509-01 | Planbricka..... | Flat washer..... | | | |
| 112 | 1 | | | 1812-1810-01 | Spännarm..... | Idler bracket..... | | | |
| 122 | 2 | | | 1812-1832-01 | Skruv..... | Screw..... | | | |
| 123 | 4 | | | 1812-1833-01 | Skruv..... | Screw..... | | | |
| 145 | 1 | | | 1812-1762-01 | Fjäder..... | Clutch spring..... | | | |
| X 148 | 2 | | | 1812-2077-01 | Spännrulle..... | Tension roller..... | | | |
| X 149 | 2 | | | 9743-3721-32 | Mutter..... | Nut..... | | | |
| 160 | 1 | | | 1812-2105-01 | Remskydd..... | Belt cover..... | | | |
| 162 | 2 | | | 1812-1680-01 | Skruv..... | Screw..... | | | |
| 166 | 2 | | | 9699-0028-02 | Planbricka..... | Flat washer..... | | | |
| 169 | 1 | | | 1812-1777-01 | Lock..... | Tool box lid..... | | | |

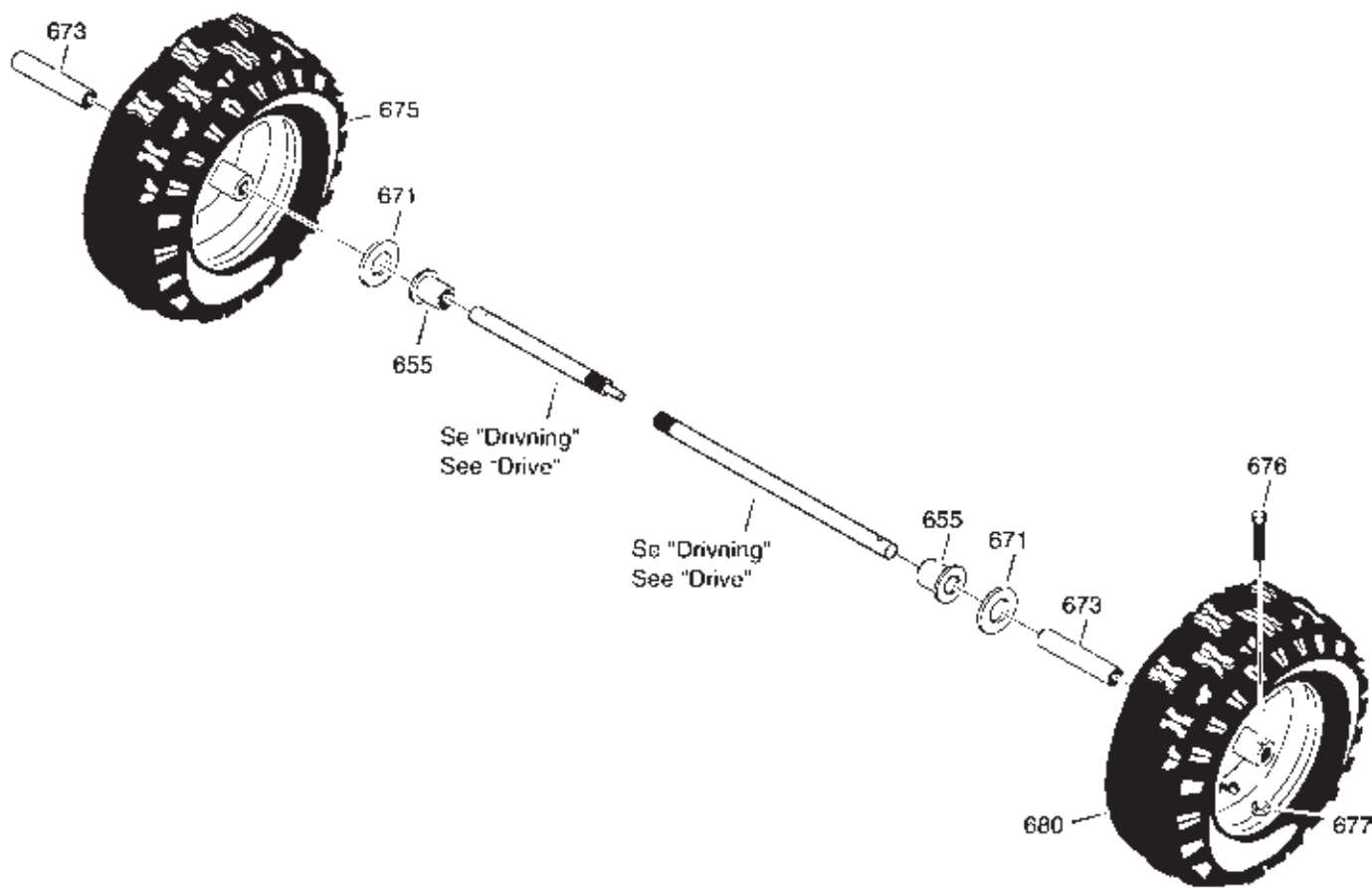
| Utgåva Issue | | Bildnr Picture No | | 9660-1384D DRIVNING | 9660-1384D DRIVE | Sida Page | |
|-----------------|----------------|----------------------|-------------------|------------------------|---------------------|----------------------|---------------------|
| 2005-14 | | 1777A | | | | 96 | |
| Pos. Fig. | Antal/Quantity | | Art nr Part No | Benämning | Description | Sats Kit | Anmärkning Notes |
| | 2848 | 2852 | | | | | |
| | 200 | 1 | 1 | 1812-1713-01 | Axel-svängplatta | Axle-swing plate | |
| | 201 | 1 | 1 | 1812-1686-01 | Kedja | Chain | |
| | 203 | 4 | 4 | 1812-1207-01 | Kullager | Ball bearing | |
| | 203b | 4 | 4 | 1812-1200-01 | Lagerhållare | Bearing retainer | |
| | 204 | 4 | 4 | 1812-1204-01 | Bricka | Washer | |
| | 206 | 4 | 4 | 1812-1832-01 | Skruv | Screw | |
| | 207 | 1 | 1 | 1812-2000-01 | Sexkantsaxel | Hex shaft | |
| | 208 | 1 | 1 | 1812-1688-01 | Kedja | Chain | |
| | 210 | 1 | 1 | 1812-1313-01 | Lager | Trunion bearing | |
| | 212 | 1 | 1 | 1812-9028-01 | Friktionshjul | Friction disc wheel | |
| | 213 | 3 | 3 | 9988-3516-16 | Skruv | Screw | |
| | 215 | 3 | 3 | 9795-3531-02 | Mutter | Nut | |
| | 217 | 2 | 2 | 1812-1687-01 | Låsring | Retext ring | |
| | 221 | 2 | 2 | 1812-1832-01 | Skruv | Screw | |
| | 223 | 1 | 1 | 1812-1725-01 | Friktionsremskiva | Friction pulley | |
| | 225 | 1 | 1 | 1812-1701-01 | Svängplatta | Swing plate | |
| | 226 | 1 | 1 | 1812-1739-01 | Distars | Spacer | |
| | 227 | 1 | 1 | 1812-1674-01 | Fänslåsmutter | Flange lock nut | |
| | 229 | 2 | 2 | 1812-1672-01 | Låsring | Retainer ring | |
| X | 230 | 1 | 1 | 1812-2101-01 | Fjäderlänkarm | Spring link | |
| X | 232 | 2 | 2 | 1812-1672-01 | Låsring | Retainer ring | |
| | 233 | 1 | 1 | 1812-2080-01 | Bricka | Washer | |
| | 234 | 3 | 3 | 1812-1675-01 | Fjäder | Spring | |
| | 236 | 1 | 1 | 1812-1715-01 | Mellanaxel m.drev | Intermed sprocket | 331/7T |
| | 238 | 2 | 2 | 9699-0038-02 | Planbricka | Flat washer | |
| | 239 | 3 | 3 | 1812-1920-01 | Kullager | Ball bearing | |
| | 240 | 3 | 3 | 1812-1919-01 | Lagerhållare | Bearing retainer | |
| X | 241 | 1 | 1 | 1812-2102-01 | Axel m.bricka-vä | Axle & washer-LH | |
| X | 242 | 1 | 1 | 1812-2098-01 | Axelsprint | Axle pin | |
| | 243 | 1 | 1 | 1812-2001-01 | Axel m.bussning-hö | Axle & bushing-RH | |
| | 244 | 1 | 1 | 1812-1935-01 | Kedjedrev | Sprocket | |
| | 245 | 1 | 1 | 1812-1933-01 | Differential | Auto lock clutch | |
| X | 246 | 5 | 5 | 1812-2081-01 | Skruv | Screw | |
| | 247 | 1 | 1 | 1812-1760-01 | Mutter | Nut | |
| | 248 | 1 | 1 | 1812-1114-01 | Bult | Bolt | |
| | 249 | 1 | 1 | 1812-1724-01 | Lager | Axle bearing | |
| | 250 | 1 | 1 | 1812-1932-01 | Fäste | Axle support bracket | |
| | 251 | 2 | 2 | 1812-1833-01 | Skruv | Screw | |
| | 252 | 2 | 2 | 1812-1934-01 | Låshylsa | Locking collar | |
| | 253 | 2 | 2 | 1812-1913-01 | Bricka | Washer | |
| | 255 | 2 | 2 | 1812-1999-01 | Stödstag | Support bracket | |
| | 256 | 4 | 4 | 9988-3516-16 | Skruv | Screw | |
| | 257 | 4 | 4 | 9743-3521-32 | Mutter | Nut | |
| | 258 | 2 | 2 | 9954-3719-16 | Skruv | Screw | |
| | 259 | 2 | 2 | 9683-0035-02 | Låsbricka | Lock washer | |
| | 260 | 2 | 2 | 9795-3731-02 | Mutter | Nut | |



| Utgåva Issue | | Bildnr Picture No | | 1174 TRACK DRIVNING | 1174 TRACK DRIVE | Sida Page | | |
|-----------------|----------------|----------------------|--|------------------------|--------------------------|---------------------------|-------------|---------------------|
| 2005-14 | | 1336 | | | | 98 | | |
| Pos. Fig. | Antal/Quantity | | | Art nr Part No | Benämning | Description | Sats Kit | Anmärkning Notes |
| | | | | | | | | |
| | 2849 | | | | | | | |
| 200 | 1 | | | 1812-1713-01 | Axel- svängplatta | Axle- swing plate | | |
| 201 | 1 | | | 1812-1686-01 | Kedja | Chain | | |
| 203 | 4 | | | 1812-1200-01 | Lagerhållare | Bearing retainer | | |
| 206 | 4 | | | 1812-1832-01 | Skruv | Screw | | |
| 207 | 1 | | | 1812-1714-01 | Sexkantsaxel | Hex shaft | | |
| 208 | 1 | | | 1812-1748-01 | Kedja | Chain | | |
| 210 | 1 | | | 1812-1313-01 | Lager | Trunion bearing | | |
| 212 | 1 | | | 1812-9028-01 | Friktionshjul | Friction disc wheel | | |
| 213 | 3 | | | 9988-3516-16 | Skruv | Screw | | |
| 215 | 3 | | | 9795-3531-02 | Mutter | Nut | | |
| 217 | 1 | | | 1812-1687-01 | Låsring | Retext ring | | |
| 220 | 4 | | | 1812-1207-01 | Kullager | Ball bearing | | |
| 221 | 4 | | | 1812-1832-01 | Skruv | Screw | | |
| 223 | 1 | | | 1812-1725-01 | Friktionsremskiva | Friction pulley | | |
| 225 | 1 | | | 1812-1701-01 | Svängplatta | Swing plate | | |
| 226 | 1 | | | 1812-1739-01 | Distans | Spacer | | |
| 227 | 1 | | | 1812-1674-01 | Flänslåsmutter | Flange lock nut | | |
| 229 | 2 | | | 1812-1672-01 | Låsring | Retainer ring | | |
| 230 | 1 | | | 1812-1718-01 | Fjäderlänkarm | Spring link | | |
| 232 | 2 | | | 1812-1672-01 | Låsring | Retainer ring | | |
| 234 | 3 | | | 1812-1675-01 | Fjäder | Spring | | |
| 236 | 1 | | | 1812-1715-01 | Mellanaxel m. drev | Intermed. sprocket | | |
| 238 | 2 | | | 9699-0038-02 | Planbricka | Flat washer | | 33T/7T |

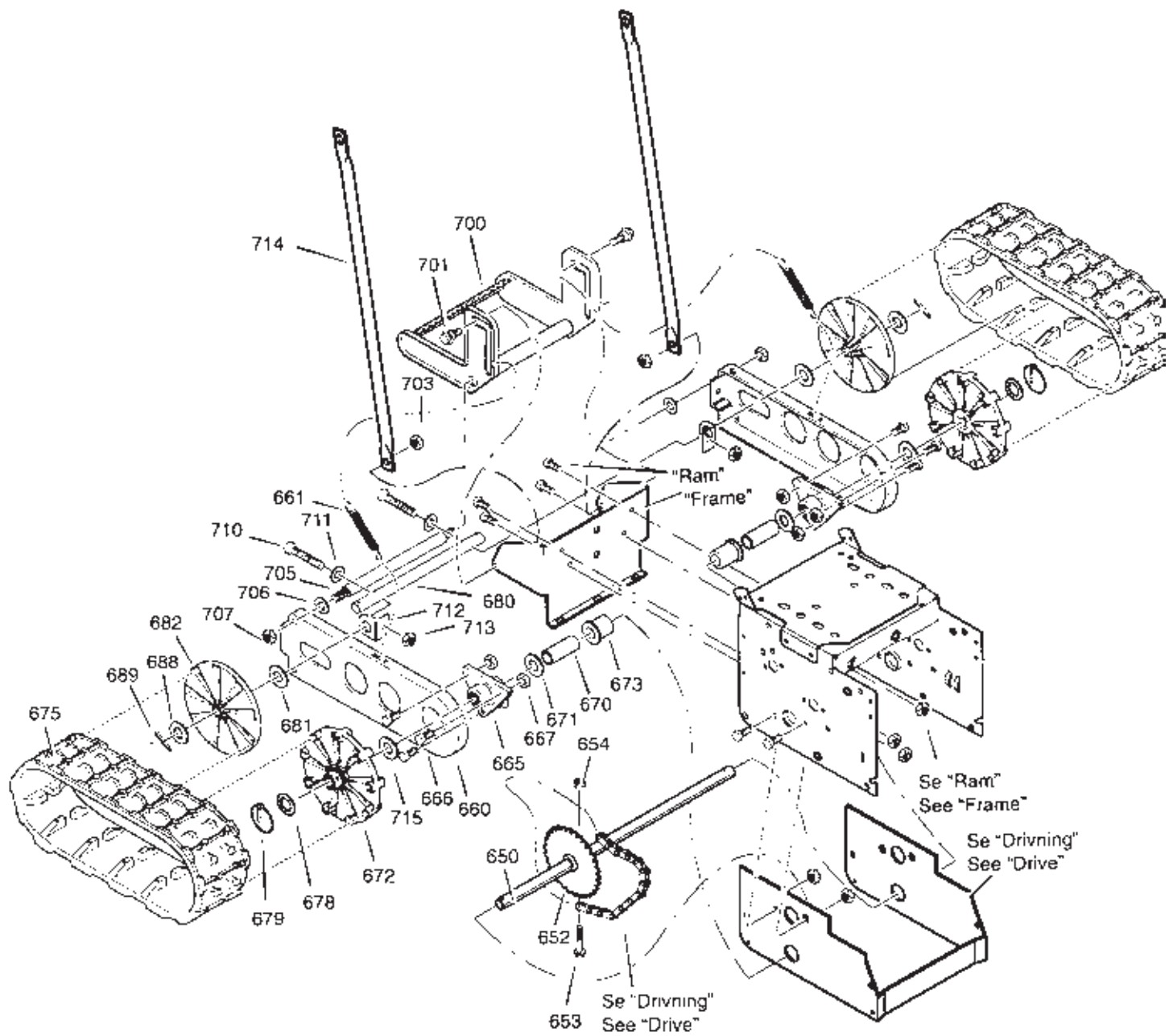


| Utgåva Issue 2005-14 | | Bildnr Picture No 1531 | | 1174 HST DRIVNING | | 1174 HST DRIVE | | Sida Page 100 | |
|----------------------------|----------------|------------------------------|-------------------|------------------------|-----------------------------|-------------------|---------------------|---------------------|---------------------|
| Pos. Fig. | Antal/Quantity | | Art nr Part No | Benämning | Description | Sats Kit | Anmärkning Notes | | |
| | 2846 | | | | | | | | |
| 25 | 1 | | 1812-1799-01 | Rampbyggnad | Frame extension | | | | |
| 90 | 1 | | 1812-1795-01 | Bottenplåt | Bottom cover | | | | |
| 91 | 6 | | 9988-3516-16 | Skruv | Screw | | | | |
| 200 | 2 | | 1812-1825-01 | Plugg | Plug | | | | |
| 212 | 1 | | 1812-1800-01 | Transmission kpl | Transmission assy | | | | Hydro Gear 314-0410 |
| 213 | 2 | | 1812-1766-01 | Nit | Rivet | | | | |
| 215 | 1 | | 1812-1806-01 | Reglagearm | Control extension arm | | | | |
| 225 | 1 | | 1812-1803-01 | Fäste | Drive cable bracket | | | | |
| 226 | 2 | | 9683-0035-02 | Låsbricka | Lock washer | | | | |
| 227 | 2 | | 9743-3721-32 | Mutter | Nut | | | | |
| 229 | 2 | | 1812-1767-01 | Skruv | Screw | | | | |
| 650 | 1 | | 1812-1929-01 | Hjulaxel | Wheel axle | | | | |

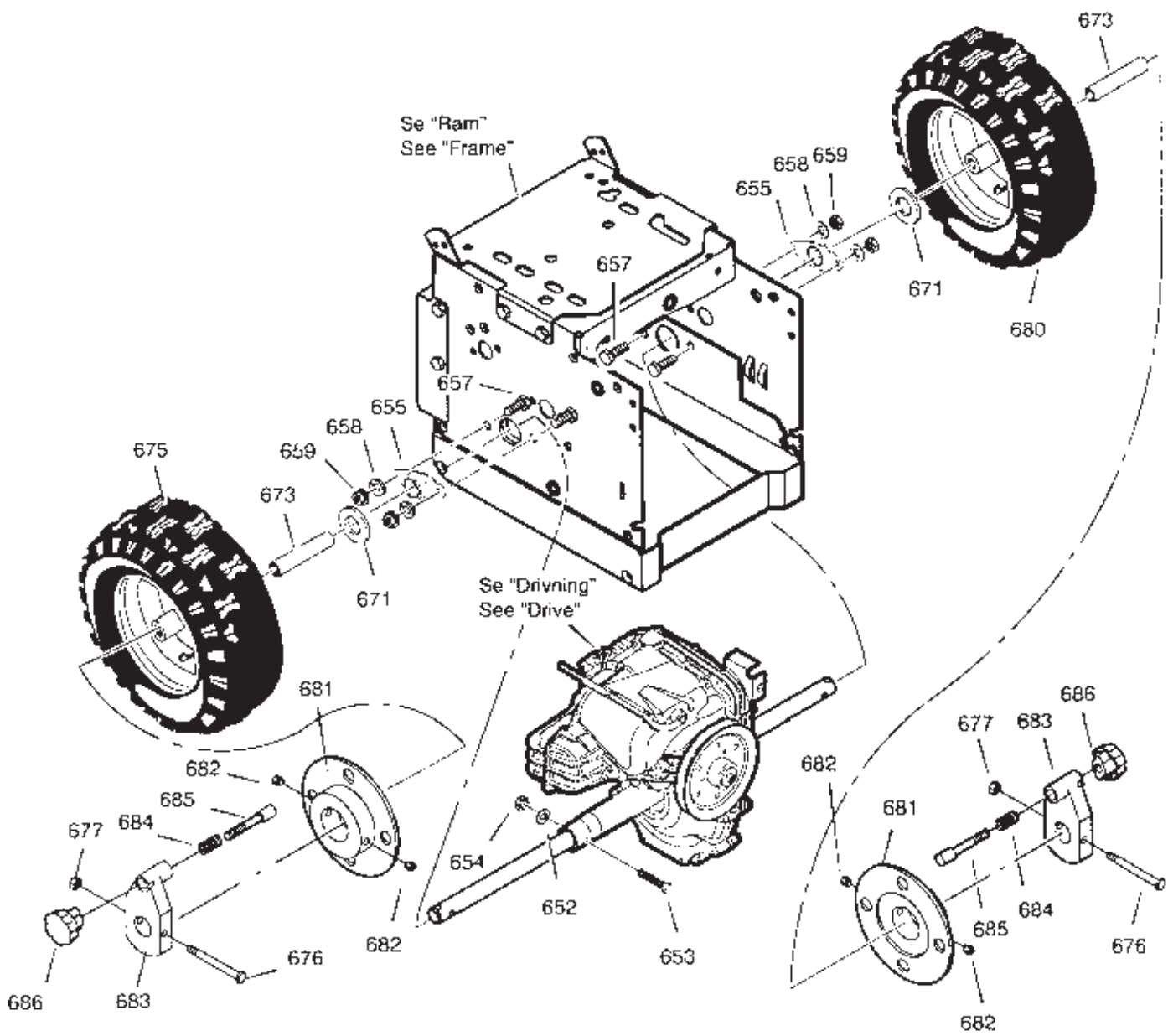


| | | | | |
|----------------------------|-------------------------------|--------------------|----------------------|---------------------|
| Utgåva Issue 2005-14 | Bildnr Picture No 1779A | 966D-1384D HJUL | 966D-1384D WHEELS | Sida Page 102 |
|----------------------------|-------------------------------|--------------------|----------------------|---------------------|

| Pos. Fig. | Antal/Quantity | | Art nr Part No | Benämning | Description | Sats Kit | Anmärkning Notes |
|--------------|----------------|------|-------------------|--------------------|----------------------|-------------|----------------------|
| | 2848 | 2862 | | | | | |
| X 655 | 2 | 2 | 1812-1724-01 | Lager | Axle bearing | | |
| 671 | 2 | 2 | 1812-2059-01 | Bricka | Washer | | |
| 673 | 2 | 2 | 1812-1733-01 | Hjulbussning | Wheel bushing | | |
| 675 | | 1 | 1812-1947-01 | Hjul kpl-vä | Wheel assy- LH | | 16 x 6.50- 8 |
| 675 | 1 | | 1812-1952-01 | Hjul kpl-vä | Wheel assy- LH | | 4.00/4.80- 8 (16x4") |
| 676 | 1 | 1 | 1812-1114-01 | Bult | Bolt | | |
| 677 | 1 | 1 | 1812-1760-01 | Mutter | Nut | | |
| 680 | | 1 | 1812-1948-01 | Hjul kpl- hö | Wheel assy- RH | | 16 x 6.50- 8 |
| 680 | 1 | | 1812-1951-01 | Hjul kpl- hö | Wheel assy- RH | | 4.00/4.80- 8 (16x4") |

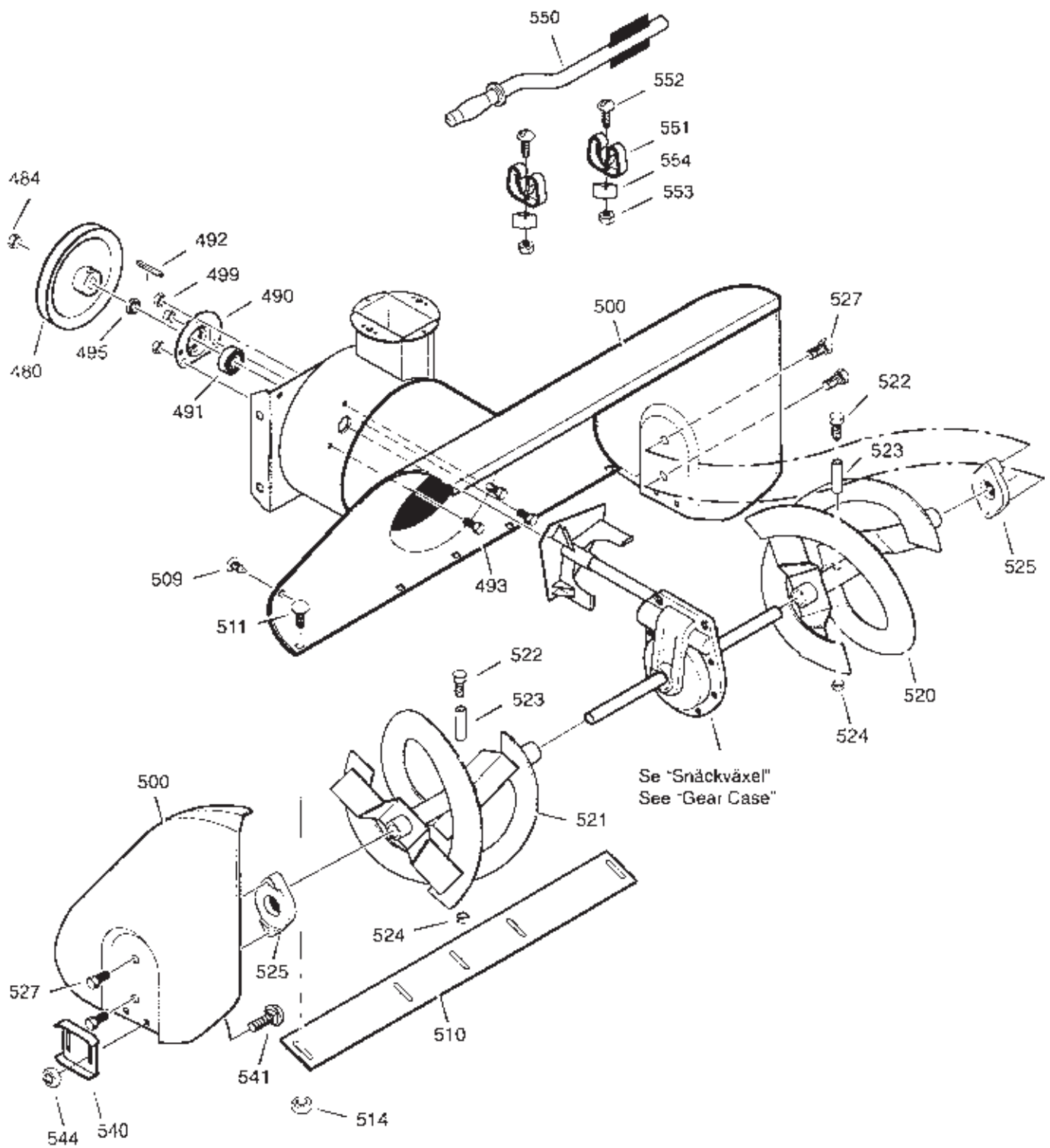


| Utgåva Issuc | | Bildnr Picture No | | 1174 TRACK BAND | 1174 TRACK TRACK | Sida Page | |
|-----------------|----------------|----------------------|-------------------|---------------------|-----------------------------|--------------|---------------------|
| 2005-14 | | 1340 | | | | 104 | |
| Pos. Fig. | Antal/Quantity | | Art nr Part No | Benämning | Description | Sats Kit | Anmärkning Notes |
| | | | | | | | |
| | 2849 | | | | | | |
| 650 | 1 | | 1812-1745-01 | Axel | Axle shaft | | |
| 652 | 1 | | 1812-1216-01 | Kedjedrev | Sprocket | | |
| 653 | 1 | | 1812-1756-01 | Skruv | Screw | | |
| 654 | 1 | | 1812-1760-01 | Mutter | Nut | | |
| 660 | 2 | | 1812-1223-01 | Stödplåt | Plate track drive | | |
| 661 | 2 | | 1812-0321-01 | Fjäder | Spring | | |
| 665 | 2 | | 1812-1484-01 | Lager | Track bearing | | |
| 666 | 6 | | 9988-3519-16 | Skruv | Screw | | |
| 667 | 6 | | 1812-1758-01 | Mutter | Nut | | |
| 670 | 2 | | 1812-1506-01 | Distans | Spacer | | |
| 671 | 2 | | 1812-0665-01 | Bricka | Washer | | |
| 672 | 2 | | 1812-1174-01 | Drivhjul-band | Sprocket-track drive | | |
| 673 | 2 | | 1812-1724-01 | Lager | Axle bearing | | |
| 675 | 2 | | 1812-1241-01 | Drivband | Track | | |
| 678 | 2 | | 1812-0567-01 | Låsring | Retaining ring | | |
| 679 | 2 | | 1812-0408-01 | Låssprint | Click pin | | |
| 680 | 1 | | 1812-1230-01 | Axel | Shaft | | |
| 681 | 2 | | 1812-1199-01 | Planbricka | Flat washer | | |
| 682 | 2 | | 1812-1175-01 | Bandhjul | Idler shaft wheel | | |
| 688 | 2 | | 1812-1505-01 | Planbricka | Flat washer | | |
| 689 | 2 | | 1812-0939-01 | Lås-pinne | Self locking pin | | |
| 700 | 1 | | 1812-1225-01 | Pedal | Pedal weight transfer | | |
| 701 | 2 | | 1812-0603-01 | Ansatsbult | Bolt | | |
| 703 | 2 | | 9795-3631-02 | Mutter | Nut | | |
| 705 | 1 | | 1812-1224-01 | Pedalaxel | Foot pedal shaft | | |
| 706 | 2 | | 9699-0035-02 | Planbricka | Flat washer | | |
| 707 | 2 | | 1132-0695-01 | Mutter | Nut | | |
| 710 | 2 | | 1812-0907-01 | Bult | Bolt | | |
| 711 | 2 | | 9699-0028-02 | Planbricka | Flat washer | | |
| 712 | 2 | | 1812-1689-01 | Fäste | Bracket | | |
| 713 | 2 | | 1812-1760-01 | Mutter | Nut | | |
| 714 | 2 | | 1812-1746-01 | Stag | Brace | | |
| 715 | 2 | | 1812-0665-01 | Bricka | Washer | | |

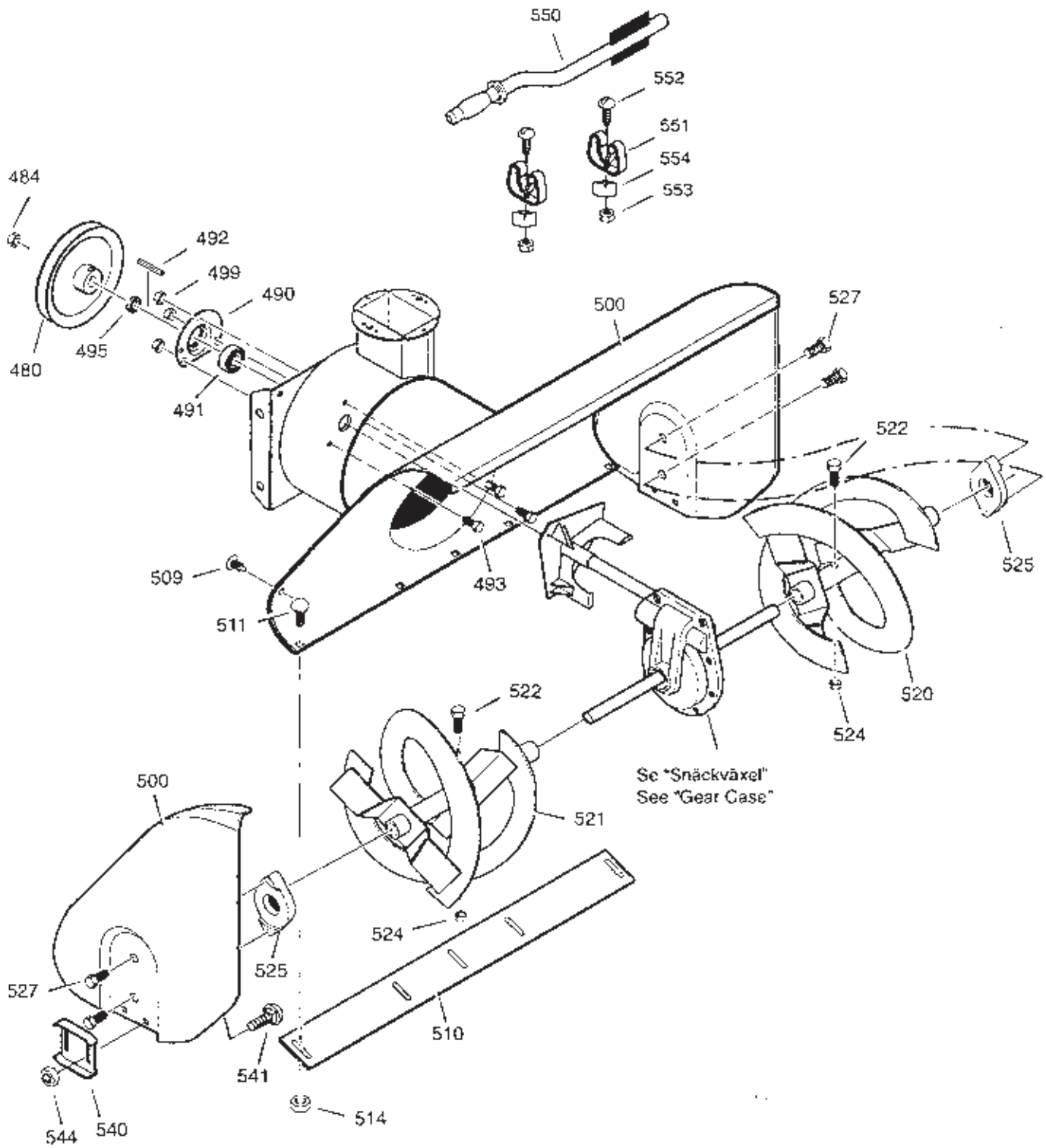


| Utgåva Issue | | Bildnr Picture No | | 1174 HST HJUL | | 1174 HST WHEELS | | Sida Page | |
|-----------------|----------------|----------------------|--------------------|----------------------------|-------------|---------------------|--|--------------|--|
| 2005-14 | | 1533A | | | | | | 106 | |
| Pos. Fig. | Antal/Quantity | Art nr Part No | Benämning | Description | Sats Kit | Anmärkning Notes | | | |
| | 2846 | | | | | | | | |
| 652 | 1 | 1812-0531-01 | Distans | Spacer | | | | | |
| 653 | 1 | 1812-1755-01 | Skruv | Screw | | | | | |
| 654 | 1 | 1812-1757-01 | Mutter | Nut | | | | | |
| 655 | 2 | 1812-0820-01 | Lager | Bearing | | | | | |
| 657 | 4 | 9988-3719-16 | Skruv | Screw | | | | | |
| 658 | 4 | 9683-0035-02 | Låsbricka | Lock washer | | | | | |
| 659 | 4 | 9795-3731-02 | Mutter | Nut | | | | | |
| 671 | 2 | 1812-2059-01 | Bricka | Washer | | | | | |
| 673 | 2 | 1812-1733-01 | Hjulbussning | Wheel bushing | | | | | |
| 675 | 1 | 1812-1948-01 | Hjul kpl- hö | Wheel assy- RH | | 16 x 6.50- 8 | | | |
| 676 | 2 | 1812-1756-01 | Skruv | Screw | | | | | |
| 677 | 2 | 1812-1760-01 | Mutter | Nut | | | | | |
| 680 | 1 | 1812-1947-01 | Hjul kpl- vä | Wheel assy- LH | | 16 x 6.50- 8 | | | |
| 681 | 2 | 1812-1606-01 | Hjullallrik | Wheel disc | | | | | |
| 682 | 4 | 1812-1827-01 | Skruv | Screw | | | | | |
| 683 | 2 | 1812-1982-01 | Hjullåsnav | Wheel lock hub | | Inkl. pos 684 - 686 | | | |
| 684 | 2 | 1812-1589-01 | • Fjäder | • Compression spring | | | | | |
| 685 | 2 | 1812-1959-01 | • Låssprint | • Lock pin | | | | | |
| 686 | 2 | 1812-1958-01 | • Knopp | • Knob | | | | | |

X

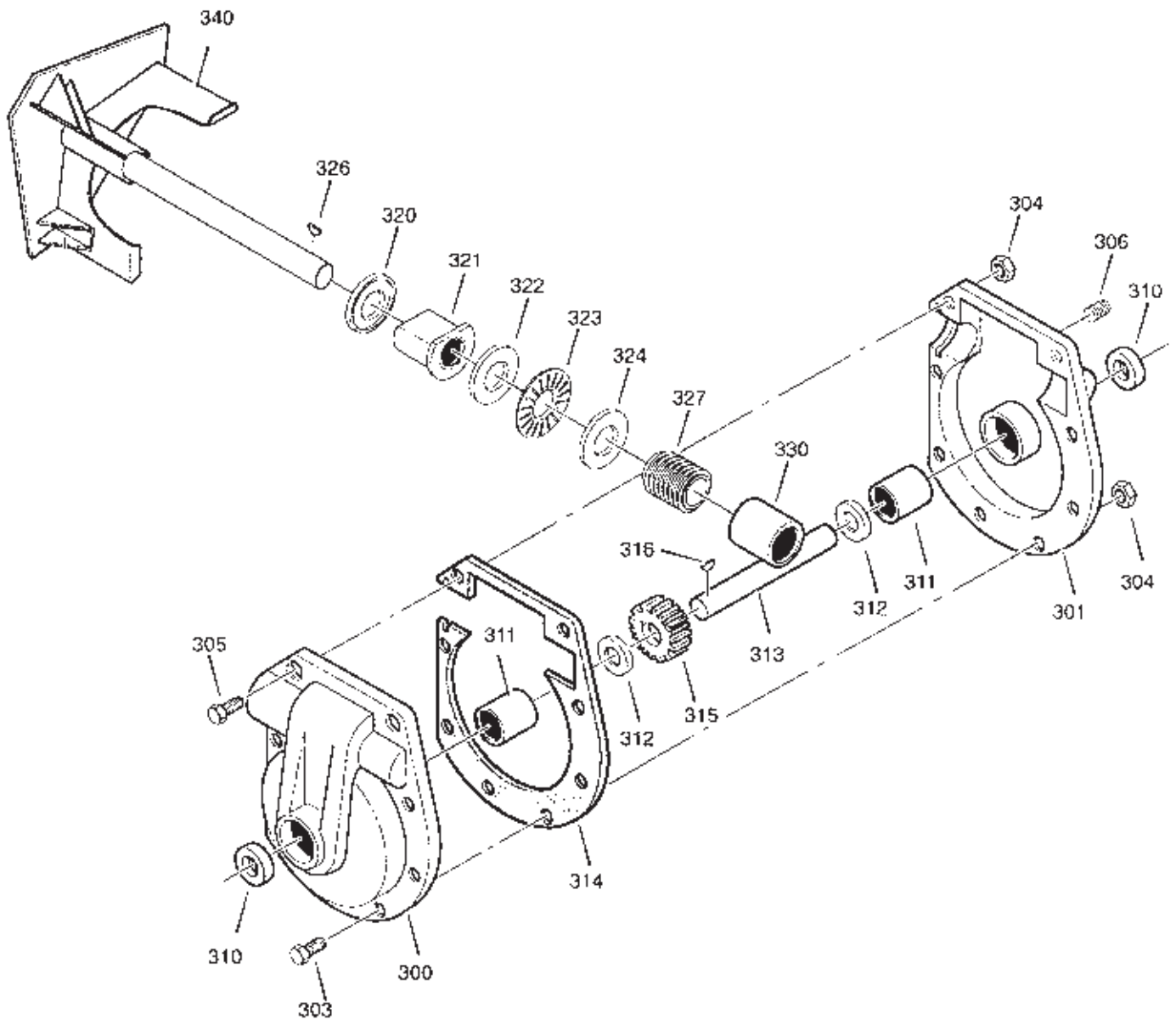


| Utgåva Issue | | Bildnr Picture No | | | 966D-1174 TRACK- 1174 HST SNÖSKRUV | 966D-1174 TRACK- 1174 HST AUGER HOUSING | Sida Page | |
|-----------------|----------------|----------------------|------|-------------------|--|---|--------------|---------------------|
| 2005-14 | | 1326A | | | | | 108 | |
| Pos. Fig. | Antal/Quantity | | | Art nr Part No | Benämning | Description | Sats Kit | Anmärkning Notes |
| | 2848 | 2849 | 2846 | | | | | |
| 480 | 1 | 1 | 1 | 1812-1261-01 | Remskiva..... | Auger pulley..... | | |
| 484 | 1 | 1 | 1 | 1812-1673-01 | Mutter..... | Nut..... | | |
| 490 | 1 | 1 | 1 | 1812-1690-01 | Kullagerhållare..... | Ball bearing retainer..... | | |
| 491 | 1 | 1 | 1 | 1812-1858-01 | Kullager..... | Ball bearing..... | | |
| 492 | 1 | 1 | 1 | 1812-1609-01 | Key..... | Key..... | | |
| 493 | 3 | 3 | 3 | 9899-3622-16 | Skruv..... | Screw..... | | |
| 495 | 1 | 1 | 1 | 1812-1739-01 | Distans..... | Spacer..... | | |
| 499 | 3 | 3 | 3 | 9795-3631-02 | Mutter..... | Nut..... | | |
| 500 | 1 | | | 1812-1940-01 | Snöskruvhus..... | Auger housing..... | | |
| 500 | | | 1 | 1812-1941-01 | Snöskruvhus..... | Auger housing..... | | |
| X 500 | | 1 | | 1812-2094-01 | Snöskruvhus..... | Auger housing..... | | |
| 509 | 2 | 2 | 2 | 1812-1430-01 | Plugg..... | Plug..... | | |
| 510 | | | 1 | 1812-1449-01 | Skrapskär..... | Scraper blade..... | | |
| 510 | 1 | | | 1812-1450-01 | Skrapskär..... | Scraper blade..... | | |
| X 510 | | 1 | | 1812-2082-01 | Skrapskär..... | Scraper blade..... | | |
| 511 | 5 | 5 | 5 | 9899-3622-16 | Skruv..... | Screw..... | | |
| 514 | 5 | 5 | 5 | 9795-3631-02 | Mutter..... | Nut..... | | |
| 520 | | 1 | 1 | 1812-1445-01 | Snöskruv- vä (sågtand)..... | Auger- LH..... | | |
| 520 | 1 | | | 1812-1839-01 | Snöskruv- vä..... | Auger- LH..... | | |
| 521 | | 1 | 1 | 1812-1454-01 | Snöskruv- hö (sågtand)..... | Auger- RH..... | | |
| 521 | 1 | | | 1812-1840-01 | Snöskruv- hö..... | Auger- RH..... | | |
| 522 | 1 | 1 | 1 | 1812-9005-01 | Brytbultsats..... | Shear bolt kit..... | | |
| 523 | 2 | 2 | 2 | 1812-0531-01 | - Distans..... | - Spacer..... | | |
| 524 | 2 | 2 | 2 | 1812-0812-01 | - Låsmutter..... | - Locking nut..... | | |
| 525 | 2 | 2 | 2 | 1812-0347-01 | Lager..... | Bearing..... | | |
| 527 | 4 | 4 | 4 | 1812-1833-01 | Skruv..... | Screw..... | | |
| 540 | 2 | 2 | 2 | 1812-1603-01 | Släpsko..... | Height adjust skid..... | | |
| 541 | 4 | 4 | 4 | 9899-3622-16 | Skruv..... | Screw..... | | |
| 544 | 4 | 4 | 4 | 9795-3631-02 | Mutter..... | Nut..... | | |
| 550 | 1 | 1 | 1 | 1812-1930-01 | Rengöringsborste..... | Clean-out brush..... | | |
| 551 | 2 | 2 | 2 | 1812-1939-01 | Hållare..... | Clips..... | | |
| 552 | 2 | 2 | 2 | 1812-1917-01 | Skruv..... | Screw..... | | |
| 553 | 2 | 2 | 2 | 1812-1912-01 | Mutter..... | Nut..... | | |
| 554 | 2 | 2 | 2 | 1812-1317-01 | Ledknut..... | Universal pivot block..... | | |

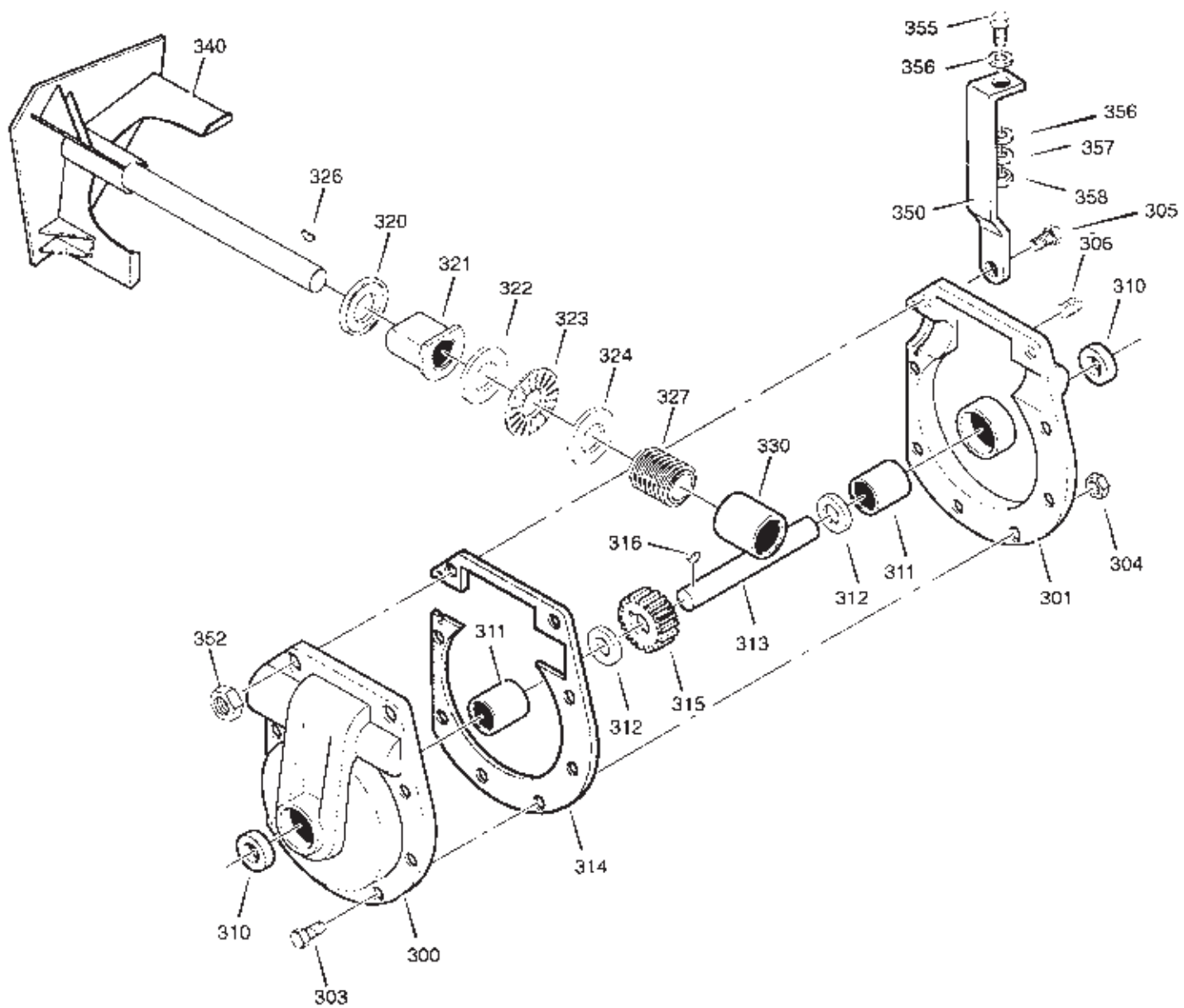


| Utgåva Issue | | Bildnr Picture No | | 1384D SNÖSKRUV | 1384D AUGER HOUSING | Sida Page | | |
|-----------------|----------------|----------------------|--|-------------------|------------------------|----------------------------|-------------|---------------------|
| 2005-14 | | 1338A | | | | 110 | | |
| Pos. Fig. | Antal/Quantity | | | Art nr Part No | Benämning | Description | Sats Kit | Anmärkning Notes |
| | 2862 | | | | | | | |
| 480 | 1 | | | 1812-1261-01 | Remskiva..... | Auger pulley..... | | |
| 484 | 1 | | | 1812-1673-01 | Mutter..... | Nut..... | | |
| 490 | 1 | | | 1812-1690-01 | Kullagerhållare..... | Ball bearing retainer..... | | |
| 491 | 1 | | | 1812-1858-01 | Kullager..... | Ball bearing..... | | |
| 492 | 1 | | | 1812-1609-01 | Kil..... | Key..... | | |
| 493 | 3 | | | 9899-3622-16 | Skruv..... | Screw..... | | |
| 495 | 1 | | | 1812-1739-01 | Distans..... | Spacer..... | | |
| 499 | 3 | | | 9795-3631-02 | Mutter..... | Nut..... | | |
| 500 | 1 | | | 1812-2093-01 | Snöskruvhus..... | Auger housing..... | | |
| 509 | 2 | | | 1812-1430-01 | Plugg..... | Plug..... | | |
| 510 | 1 | | | 1812-1598-01 | Skrapskär..... | Scraper blade..... | | |
| 511 | 5 | | | 9899-3622-16 | Skruv..... | Screw..... | | |
| 514 | 5 | | | 9795-3631-02 | Mutter..... | Nut..... | | |
| 520 | 1 | | | 1812-1596-01 | Snöskruv- vä..... | Auger- LH..... | | |
| 521 | 1 | | | 1812-1595-01 | Snöskruv- hö..... | Auger- RH..... | | |
| 522 | 1 | | | 1812-9006-01 | Brytbultsats..... | Shear bolt kit..... | | |
| 524 | 2 | | | 1812-0811-01 | - Låsmutter..... | - Locking nut..... | | |
| 525 | 2 | | | 1812-0347-01 | Lager..... | Bearing..... | | |
| 527 | 4 | | | 1812-1833-01 | Skruv..... | Screw..... | | |
| 540 | 2 | | | 1812-1803-01 | Släpsko..... | Height adjust skid..... | | |
| 541 | 4 | | | 9899-3622-16 | Skruv..... | Screw..... | | |
| 544 | 4 | | | 9795-3631-02 | Mutter..... | Nut..... | | |
| 550 | 1 | | | 1812-1930-01 | Rengöringsborsta..... | Clean- out brush..... | | |
| 551 | 2 | | | 1812-1939-01 | Hållare..... | Clips..... | | |
| 552 | 2 | | | 1812-1917-01 | Skruv..... | Screw..... | | |
| 553 | 2 | | | 1812-1912-01 | Mutter..... | Nut..... | | |
| 554 | 2 | | | 1812-1317-01 | Ledknut..... | Universal pivot block..... | | |

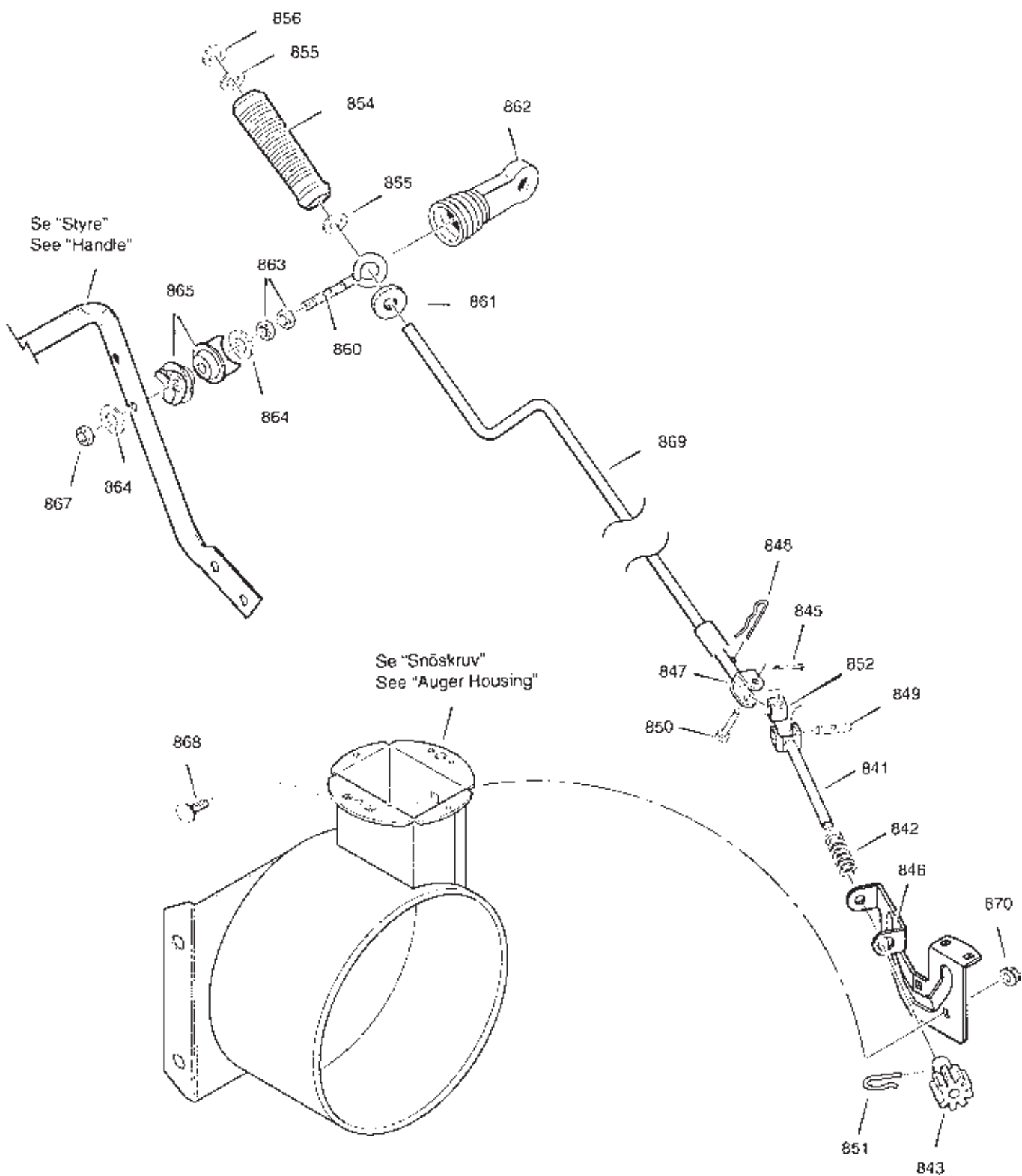
X



| Utgåva Issue | | Bildnr Picture No | | 966D- 1174 TRACK- 1174 HST SNÄCKVÄXEL | | 966D- 1174 TRACK- 1174 HST GEAR CASE | | Sida Page 112 | |
|-----------------|----------------|----------------------|------|---|-------------------------|--|-------------|---------------------|--|
| Pos. Fig. | Antal/Quantity | | | Art nr Part No | Benämning | Description | Sats Kil | Anmärkning Notes | |
| | 2848 | 2849 | 2846 | | | | | | |
| 300 | 1 | 1 | 1 | 1812-0228-01 | Snäckväxelhus- hö | Gear case- RH | | | |
| 301 | 1 | 1 | 1 | 1812-0227-01 | Snäckväxelhus- vä | Gear case- LH | | | |
| 303 | 7 | 7 | 7 | 9987-5125-16 | Skruv | Screw | | | |
| 304 | 8 | 8 | 8 | 9743-5121-02 | Mutter | Nut | | | |
| 305 | 1 | 1 | 1 | 9987-5145-12 | Skruv | Screw | | | |
| 306 | 1 | 1 | 1 | 1812-0346-01 | Oljeplugg | Oil plug | | | |
| 310 | 2 | 2 | 2 | 1812-0344-01 | Tätningring | Ring | | | |
| 311 | 2 | 2 | 2 | 1812-0343-01 | Lager | Bearing | | | |
| 312 | 2 | 2 | 2 | 1812-0345-01 | Bricka | Washer | | | |
| 313 | | 1 | 1 | 1812-1442-01 | Snöskruvaxel | Auger shaft | | | |
| 313 | 1 | | | 1812-1443-01 | Snöskruvaxel | Auger shaft | | | |
| 314 | 1 | 1 | 1 | 1812-0226-01 | Packning | Gasket | | | |
| 315 | 1 | 1 | 1 | 1812-0335-01 | Drev | Worm gear | | | |
| 316 | 1 | 1 | 1 | 1812-0409-01 | Woodruffkil | Woodruffkey | | | |
| 320 | 1 | 1 | 1 | 1812-0341-01 | Tätningring | Ring | | | |
| 321 | 1 | 1 | 1 | 1812-1259-01 | Flänslager | Flange bearing | | | |
| 322 | 1 | 1 | 1 | 1812-0857-01 | Bricka | Thrust washer | | | |
| 323 | 1 | 1 | 1 | 1812-0285-01 | Nållager | Needle bearing | | | |
| 324 | 1 | 1 | 1 | 1812-0857-01 | Bricka | Thrust washer | | | |
| 326 | 1 | 1 | 1 | 1812-0307-01 | Kil | Key | | | |
| 327 | 1 | 1 | 1 | 1812-0336-01 | Snäckdrev | Gear | | | |
| 330 | 1 | 1 | 1 | 1812-0297-01 | Lager | Bearing | | | |
| 340 | 1 | 1 | 1 | 1812-1735-01 | Fläkt m.fläktaxel | Impeller assy | | | |



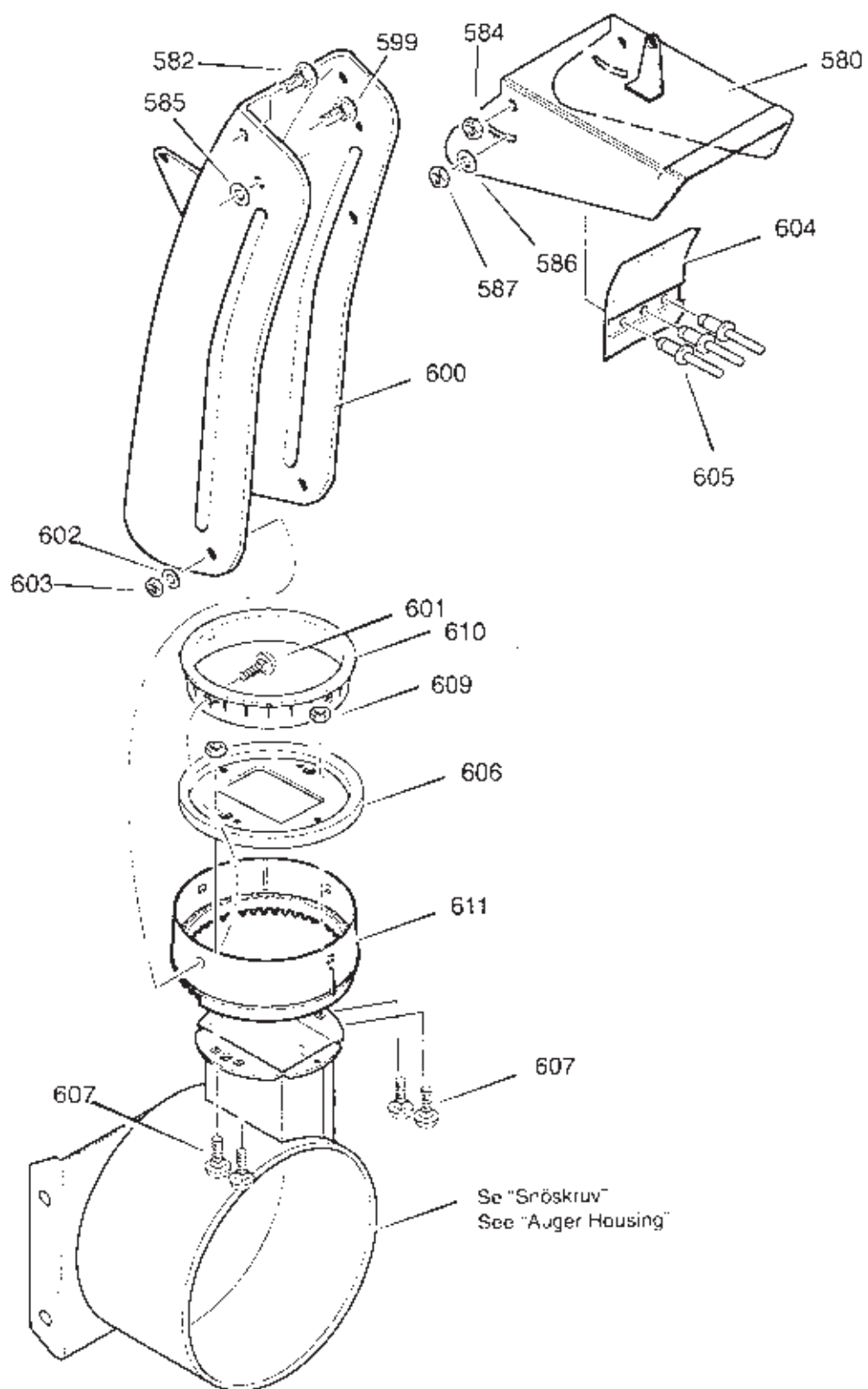
| Utgåva Issue | | Bildnr Picture No | | 1384D SNÄCKVÄXEL | 1384D GEAR CASE | Sida Page | |
|-----------------|----------------|----------------------|-------------------|---------------------|--------------------|--------------|---------------------|
| 2005-14 | | 1337 | | | | 114 | |
| Pos. Fig. | Antal/Quantity | | Art nr Part No | Benämning | Description | Sats Kit | Anmärkning Notes |
| | 2862 | | | | | | |
| 300 | 1 | | 1812-0228-01 | Snäckväxelhus- hö | Gear case- RH | | |
| 301 | 1 | | 1812-0227-01 | Snäckväxelhus- vä | Gear case- LH | | |
| 303 | 7 | | 9987-5125-16 | Skruv | Screw | | |
| 304 | 7 | | 9743-5121-02 | Mutter | Nut | | |
| 305 | 1 | | 9987-5145-12 | Skruv | Screw | | |
| 306 | 1 | | 1812-0346-01 | Oljeplugg | Oil plug | | |
| 310 | 2 | | 1812-0344-01 | Tätningring | Ring | | |
| 311 | 2 | | 1812-0343-01 | Lager | Bearing | | |
| 312 | 2 | | 1812-0345-01 | Bricka | Washer | | |
| 313 | 1 | | 1812-1597-01 | Snöskruvaxel | Auger shaft | | |
| 314 | 1 | | 1812-0226-01 | Packning | Gasket | | |
| 315 | 1 | | 1812-0335-01 | Drev | Worm gear | | |
| 316 | 1 | | 1812-0409-01 | Woodruffkil | Woodruffkey | | |
| 320 | 1 | | 1812-0341-01 | Tätningring | Ring | | |
| 321 | 1 | | 1812-1259-01 | Flänslager | Flange bearing | | |
| 322 | 1 | | 1812-0857-01 | Bricka | Thrust washer | | |
| 323 | 1 | | 1812-0285-01 | Nållager | Needle bearing | | |
| 324 | 1 | | 1812-0857-01 | Bricka | Thrust washer | | |
| 326 | 1 | | 1812-0307-01 | Kil | Key | | |
| 327 | 1 | | 1812-0336-01 | Snäckdrev | Gear | | |
| 330 | 1 | | 1812-0297-01 | Lager | Bearing | | |
| 340 | 1 | | 1812-1736-01 | Fläkt m. fläktaxel | Impeller assy | | |
| 350 | 1 | | 1812-0663-01 | Stag | Gear box brace | | |
| 352 | 1 | | 9743-5121-02 | Mutter | Nut | | |
| 355 | 1 | | 9988-3632-12 | Skruv | Screw | | |
| 356 | 2 | | 9699-0029-02 | Planbricka | Flat washer | | |
| 357 | 1 | | 9683-0030-02 | Låsbricka | Lock washer | | |
| 358 | 1 | | 1812-1759-01 | Mutter | Nut | | |



| | | | | |
|-----------------------------|------------------------------|---|---|---------------------|
| Utgåva Issue 2005- 14 | Bildnr Picture No 1535 | 966D- 1174 TRACK- 1174 HST- 1384D INSTÄLLNINGSVEV | 966D- 1174 TRACK- 1174 HST- 1384D CHUTE ROD | Sida Page 116 |
|-----------------------------|------------------------------|---|---|---------------------|

| Pos. Fig. | Antal/Quantity | | | | Art nr Part No | Benämning | Description | Sats Kit | Anmärkning Notes |
|--------------|----------------|------|------|------|-------------------|-----------------------|-----------------------------|-------------|---------------------|
| | 2848 | 2849 | 2846 | 2862 | | | | | |
| 841 | 1 | 1 | 1 | 1 | 1812-1826-01 | Gaffelstäng | Yoke and rod | | |
| 842 | 1 | 1 | 1 | 1 | 1812-1761-01 | Fjäder | Spring | | |
| 843 | 1 | 1 | 1 | 1 | 1812-1706-01 | Drev | Gear | | |
| 845 | 1 | 1 | 1 | 1 | 9699-0033-00 | Saxsprint | Split pin | | |
| 846 | 1 | 1 | 1 | 1 | 1812-1793-01 | Fäste | Bracket | | |
| 847 | 1 | 1 | 1 | 1 | 1812-1708-01 | Gaffel | Yoke adapter | | |
| 848 | 1 | 1 | 1 | 1 | 1812-1511-01 | Låsstift | Hair pin | | |
| 849 | 1 | 1 | 1 | 1 | 1812-1316-01 | Axel | Universal pin | | |
| 850 | 1 | 1 | 1 | 1 | 1812-1318-01 | Sprint | Clevis pin | | |
| 851 | 1 | 1 | 1 | 1 | 1812-1791-01 | Låsnål | Hair pin | | |
| 852 | 1 | 1 | 1 | 1 | 1812-1317-01 | Ledknut | Universal pivot block | | |
| 854 | 1 | 1 | 1 | 1 | 1812-1168-01 | Handtag | Handle | | |
| 855 | 2 | 2 | 2 | 2 | 1812-1171-01 | Bricka | Washer | | |
| 856 | 1 | 1 | 1 | 1 | 1812-1483-01 | Låsning | Retainer | | |
| 860 | 1 | 1 | 1 | 1 | 1812-1821-01 | Öglebult | Eye bolt | | |
| 861 | 1 | 1 | 1 | 1 | 1812-0203-01 | Hylsa | Grommet | | |
| 862 | 1 | 1 | 1 | 1 | 1812-1822-01 | Hylsa-öglebult | Boot-eye bolt | | |
| 863 | 2 | 2 | 2 | 2 | 9743-3721-32 | Mutter | Nut | | |
| 864 | 2 | 2 | 2 | 2 | 9699-0035-02 | Pianbricka | Flat washer | | |
| 865 | 2 | 2 | 2 | 2 | 1812-1172-01 | Adapter | Boot adaptor | | |
| 867 | 1 | 1 | 1 | 1 | 9743-3721-32 | Mutter | Nut | | |
| 868 | 1 | 1 | 1 | 1 | 1812-1831-01 | Skruv | Screw | | |
| 869 | 1 | 1 | 1 | 1 | 1812-1707-01 | Inställningsvev | Chute crank | | |
| 870 | 1 | 1 | 1 | 1 | 1812-1760-01 | Mutter | Nut | | |

| Utgåva Issue | | Bildnr Picture No | | 966D- 1174 TRACK- 1174 HST- 1384D FJÄRREGLAGE | | 966D- 1174 TRACK- 1174 HST- 1384D REMOTE CONTROL | | Sida Page | |
|-----------------|----------------|----------------------|------|---|-------------------|--|---------------------------|--------------|---------------------|
| 2005- 14 | | 1536 | | | | | | 118 | |
| Pos. Fig. | Antal/Quantity | | | | Art nr Part No | Benämning | Description | Sats Kit | Anmärkning Notes |
| | 2848 | 2849 | 2846 | 2862 | | | | | |
| 965 | 1 | 1 | 1 | 1 | 1812-1364-01 | Fjäder..... | Return spring | | |
| 967 | 1 | 1 | 1 | 1 | 1812-1393-01 | Bult..... | Bolt | | |
| 968 | 1 | 1 | 1 | 1 | 1812-0730-01 | Distans | Spacer | | |
| 969 | 1 | 1 | 1 | 1 | 1812-1758-01 | Mutter..... | Nut | | |
| 970 | 1 | 1 | 1 | 1 | 9988-3619-16 | Skruv..... | Screw | | |
| 971 | 1 | 1 | 1 | 1 | 1812-1683-01 | Fäste..... | Bracket | | |
| 972 | 1 | 1 | 1 | 1 | 1812-0811-01 | Låsmutter..... | Locking nut | | |
| 973 | 1 | 1 | 1 | 1 | 1812-1694-01 | List..... | Trim | | |
| 974 | 1 | 1 | 1 | 1 | 9579-0003-00 | Buntband..... | Cable holder | | |
| 975 | 1 | 1 | 1 | 1 | 1812-1814-01 | Reglagewire..... | Chute control cable | | |
| 980 | 2 | 2 | 2 | 2 | 1812-1844-01 | Skruv..... | Screw | | |
| 981 | 1 | 1 | 1 | 1 | 1812-1475-01 | Wirehållare | Wire form | | |
| 994 | 1 | 1 | 1 | 1 | 9743-3721-32 | Mutter..... | Nut | | |
| 995 | 1 | 1 | 1 | 1 | 1133-0650-01 | Handtag..... | Handle | | |



| | | | | |
|----------------------------|-------------------------------|--|---|---------------------|
| Utgåva Issue 2005-14 | Bildnr Picture No 1537A | 966D-1174 TRACK- 1174 HST-1384D UTKAST | 966D-1174 TRACK- 1174 HST-1384D DISCHARGE CHUTE | Sida Page 120 |
|----------------------------|-------------------------------|--|---|---------------------|

| Pos. Fig. | Antal/Quantity | | | | Art nr Part No | Benämning | Description | Sats Kit | Anmärkning Notes |
|--------------|----------------|------|------|------|-------------------|------------------------|-----------------------------|-------------|---------------------|
| | 2648 | 2849 | 2846 | 2862 | | | | | |
| 580 | 1 | 1 | 1 | 1 | 1812-1467-01 | Utkastskärm | Upper chute | | |
| 582 | 2 | 2 | 2 | 2 | 1133-1023-01 | Skruv | Screw | | |
| 584 | 2 | 2 | 2 | 2 | 9743-3621-32 | Mutter | Nut | | |
| 585 | 2 | 2 | 2 | 2 | 1812-1163-01 | Plastbricka | Plastic washer | | |
| 586 | 2 | 2 | 2 | 2 | 1812-0667-01 | Plastbricka | Plastic washer | | |
| 587 | 2 | 2 | 2 | 2 | 9743-3621-32 | Mutter | Nut | | |
| 599 | 2 | 2 | 2 | 2 | 9899-3625-16 | Skruv | Screw | | |
| 600 | 1 | 1 | 1 | 1 | 1812-1473-01 | Utkaströr | Lower chute | | |
| 601 | 3 | 3 | 3 | 3 | 9899-3625-16 | Skruv | Screw | | |
| 602 | 3 | 3 | 3 | 3 | 9699-0029-02 | Planbricka | Flat washer | | |
| 603 | 3 | 3 | 3 | 3 | 9743-3621-32 | Mutter | Nut | | |
| 604 | 1 | 1 | 1 | 1 | 1812-1569-01 | Skyddstunga | Flap | | |
| 605 | 3 | 3 | 3 | 3 | 1812-1462-01 | Popnit | Pop rivet | | |
| 606 | 1 | 1 | 1 | 1 | 1812-1983-01 | Utkastplatta | Chute rotate collar | | |
| 607 | 4 | 4 | 4 | 4 | 1812-1831-01 | Skruv | Screw | | |
| 609 | 4 | 4 | 4 | 4 | 1812-1760-01 | Mutter | Nut | | |
| 610 | 1 | 1 | 1 | 1 | 1812-1366-01 | Utkastring-inre | Chute rot. ring-inner | | |
| 611 | 1 | 1 | 1 | 1 | 1812-1787-01 | Utkastring-yttre | Retainer ring-outer | | |