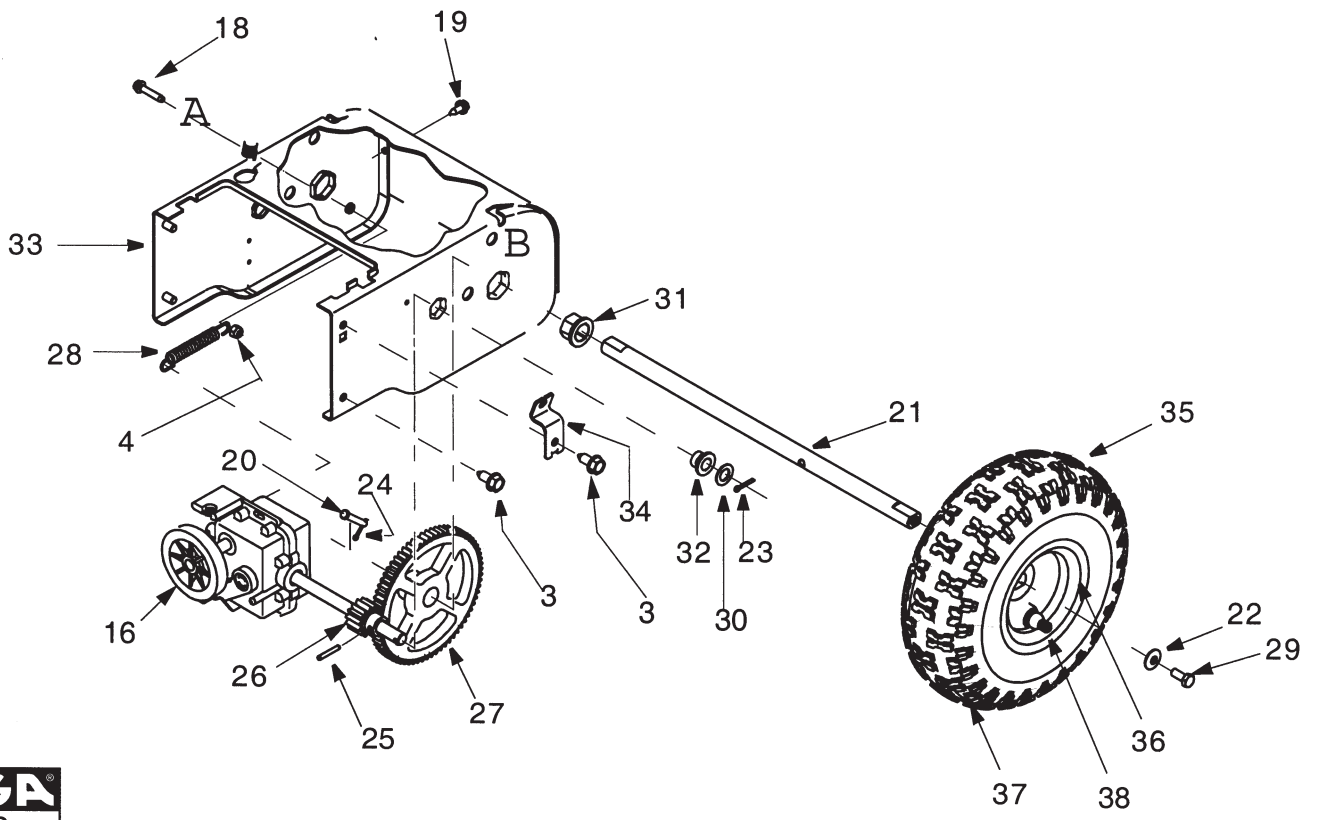
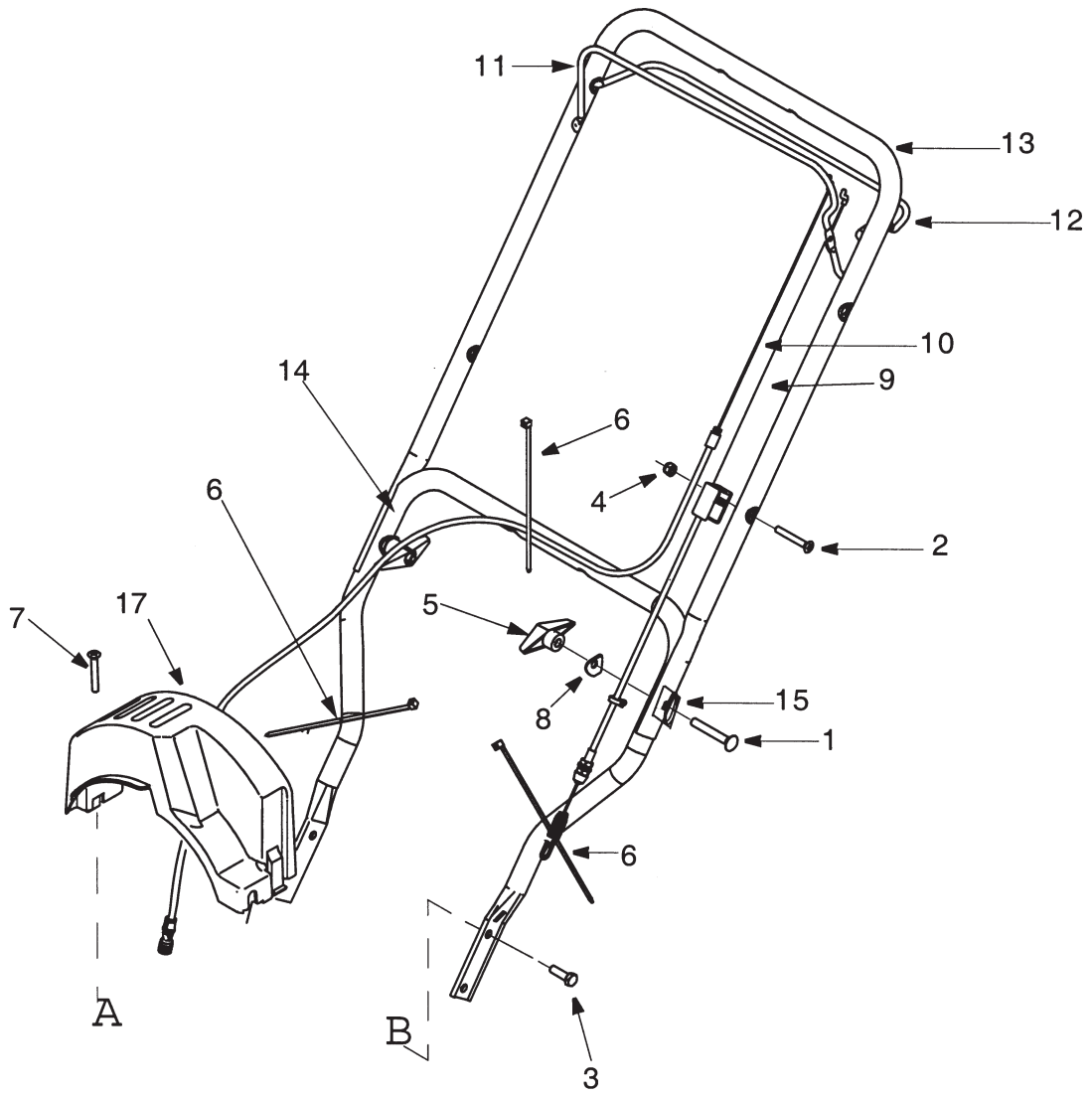
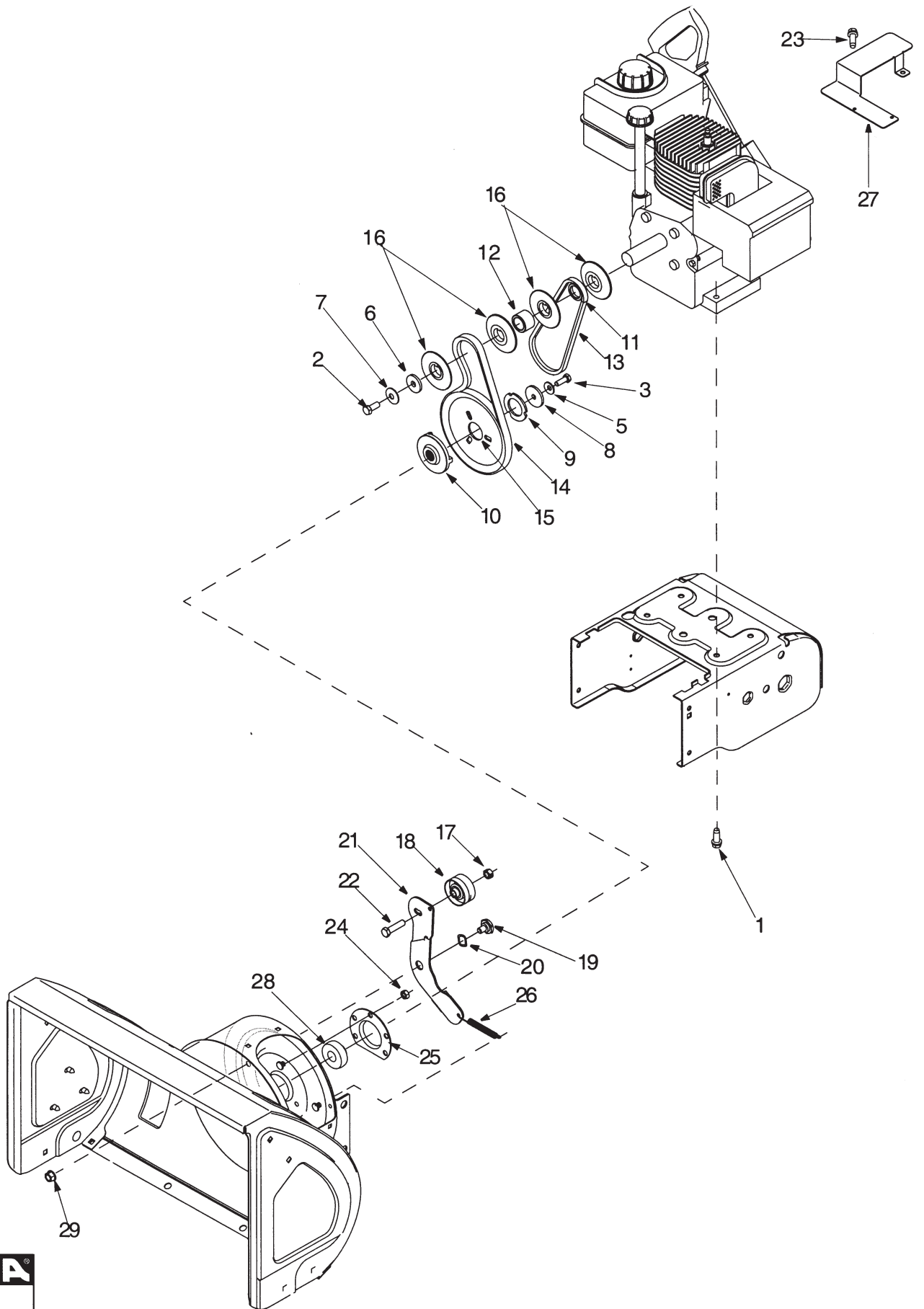


Genuine Spare Parts

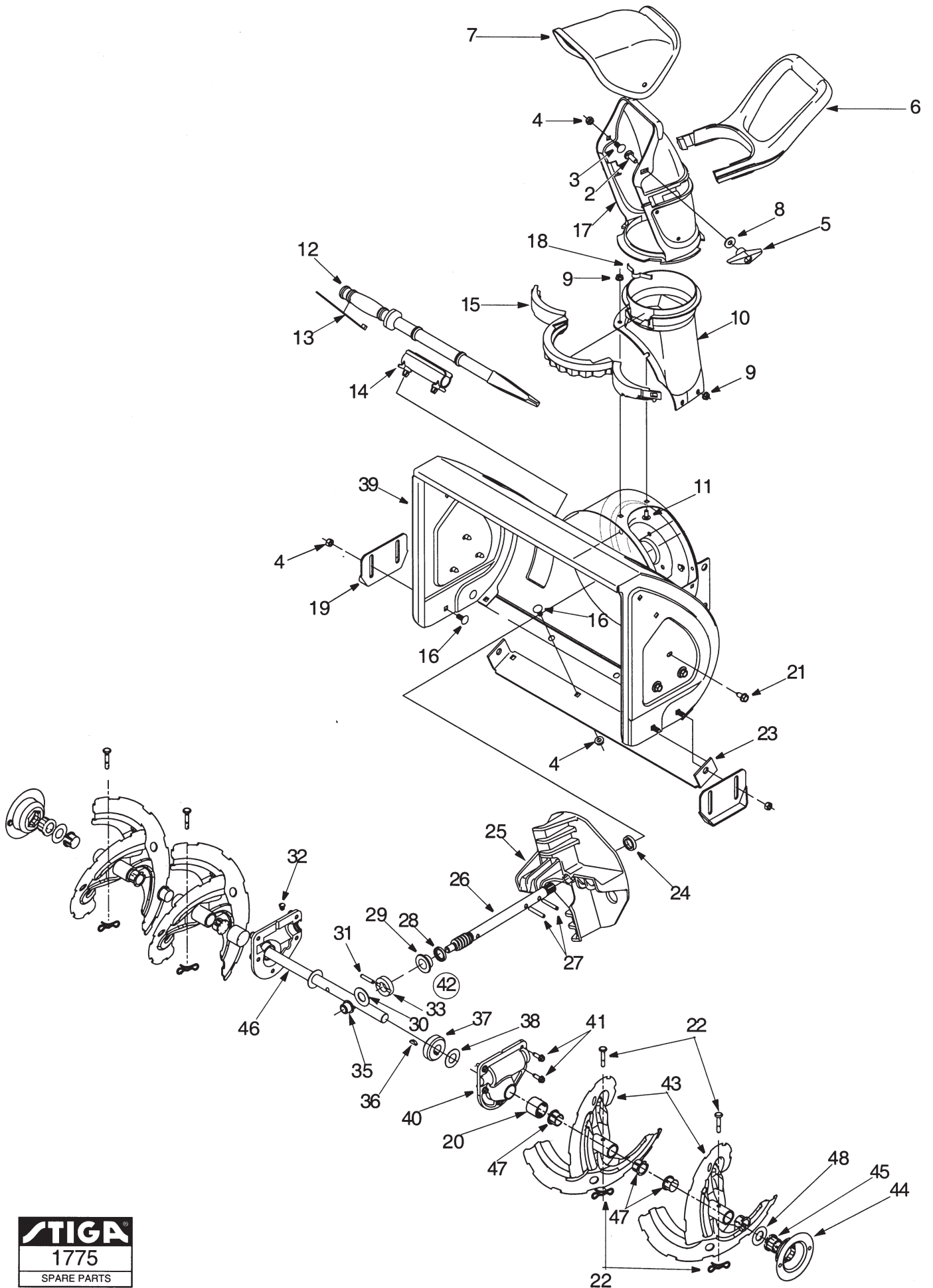




Utgåva Issue		Bildnr Picture No		SNOW FALL STYRE DRIVNING		SNOW FALL HANDLE DRIVE		Sida Page	
2004-14		1773						32	
Pos. Fig.	Antal/Quantity			Art nr Part No	Benämning	Description	Sats Kit	Anmärkning Notes	
	2828								
X	1	2		1811-2019-01	Vagnsbult	Carriage bolt			
	2	1		9988-3551-12	Skruv	Screw			
X	3	6		1811-2023-01	Skruv	Hex bolt			
	4	2		9743-3521-32	Mutter	Nut			
X	5	2		1811-2042-01	Låsratt	Knob			
	6	3		9579-0008-00	Buntband	Cable holder			
X	7	2		1811-2018-01	Skruv	Hex bolt			
X	8	2		1811-2066-01	Kupad bricka	Saddle washer			
X	9	1		1811-2080-01	Reglagewire- snöskruv	Control cable- auger			
X	10	1		1811-2081-01	Reglagewire- drivning	Control cable- drive			
X	11	1		1811-2082-01	Reglagebygel	Control bail			
X	12	1		1811-2083-01	Reglagebygel	Control bail- drive			
X	13	1		1811-2086-01	Styre- överdel	Handle- upper			
X	14	1		1811-2085-01	Styre- underdel	Handle- lower			
X	15	2		1811-2100-01	Styrförstärkning	Handle tab			
X	16	1		1811-2011-01	Transmission kpl	Transmission assy			
X	17	1		1811-2046-01	Remskydd	Belt cover			
X	18	1		1811-2024-01	Skruv	Screw			
X	19	2		1811-2026-01	Skruv	Screw			
X	20	1		1811-2029-01	Sprint	Clevis pin			
X	21	1		1811-2073-01	Axel	Axle			
X	22	2		1811-2062-01	Bricka	Bell washer			
X	23	2		1811-2030-01	Saxsprint	Cotter pin			
X	24	1		1811-2033-01	Saxsprint	Cotter pin			
X	25	1		1811-2034-01	Stift	Roll pin			
X	26	1		1811-2037-01	Drev	Pinion	14T		
X	27	1		1811-2038-01	Drev	Gear	70T		
X	28	1		1811-2057-01	Fjäder	Extension spring			
	29	2		9987-5119-16	Skruv	Screw			
X	30	2		1811-2061-01	Låsbricka	Lock washer			
X	31	2		1811-2074-01	Flänslager	Flange bearing			
X	32	2		1811-2076-01	Flänslager	Flange bearing			
X	33	1		1811-2095-01	Chassi	Drive housing frame			
X	34	1		1811-2099-01	Wirefäste	Cable bracket			
X	35	2		1811-2013-01	Hjul kpl	Wheel assy			
X	36	1		1811-2052-01	• Fälg	• Rim			
X	37	1		1811-2059-01	• Däck	• Tire			
X	38	1		9545-0500-00	• Ventil	• Valve	4.10-3 (10x4")		
X	99	1		8218-2205-01	Bruksanvisning	Owner's manual		Ej ill/not ill.	



Utgåva Issue		Bildnr Picture No		SNOW FALL REMTRANSMISSION	SNOW FALL BELT TRANSMISSION	Sida Page		
2004- 14		1774				34		
Pos. Fig.	Antal/Quantity			Art nr Part No	Benämning	Description	Sats Kit	Anmärkning Notes
	2828							
X	1	4		1811-2022-01	Skruv	Screw		
	2	1		9987-5222-16	Skruv	Screw		
X	3	1		1811-2025-01	Låsbult	Lock bolt		
X	5	1		1811-2062-01	Bricka	Bell washer		
X	6	1		1811-2063-01	Planbricka	Flat washer		
X	7	1		1811-2064-01	Bricka	Bell washer		
X	8	1		1811-2067-01	Planbricka	Flat washer		
X	9	1		1811-2068-01	Specialbricka	Special washer		
X	10	1		1811-2084-01	Adapter- remskiva	Pulley adapter		
X	11	1		1811-2088-01	Distans	Spacer		
X	12	1		1811-2089-01	Distans	Spacer		
X	13	1		1811-2090-01	Kilrem	V- belt		
X	14	1		1811-2091-01	Kilrem	V- belt		
X	15	1		1811-2092-01	Remskiva snöskruv	Auger pulley		
X	16	4		1811-2094-01	Remskivshalva	Pulley half		
	17	1		9743-3721-32	Mutter	Nut		
X	18	1		1811-2093-01	Spännrulle	Flat idler		
X	19	1		1811-2071-01	Ansattsskruv	Shoulder screw		
X	20	1		1811-2060-01	Vågbricka	Wave washer		
X	21	1		1811-2096-01	Spännarm	Auger idler bracket		
	22	1		9988-3738-12	Skruv	Screw		
X	23	1		1811-2020-01	Skruv	Hex bolt		
	24	5		9795-3631-02	Mutter	Nut		
X	25	1		1811-2102-01	Lagerhus	Bearing housing		
X	26	1		1811-2058-01	Fjäder	Extension spring		
X	27	1		1811-2101-01	Värmeskydd	Heat shield		
X	28	1		1811-2075-01	Kullager	Ball bearing		
	29	1		1132-0695-01	Mutter	Nut		



Utgåva Issue 2004-14		Bildnr Picture No 1775		SNOW FALL SNÖSKRUV UTKAST	SNOW FALL AUGER CHUTE	Sida Page 36		
Pos. Fig.	Antal/Quantity			Art nr Part No	Benämning	Description	Sats Kit	Anmärkning Notes
	2828							
	2	1		9899-3625-16	Skruv	Screw		
	3	1		9899-3622-16	Skruv	Screw		
	4	9		9795-3631-02	Mutter	Nut		
X	5	1		1811-2042-01	Låsrott	Knob		
X	6	1		1811-2049-01	Utkasthandtag	Chute handle		
X	7	1		1811-2050-01	Utkastskärm	Upper chute		
	8	1		9699-0029-02	Planbricka	Flat washer		
	9	4		9743-3521-32	Mutter	Nut		
X	10	1		1811-2054-01	Utkast- nedre	Lower chute		
	11	4		9899-3516-16	Skruv	Screw		
X	12	1		1811-2055-01	Rengöringsverktyg	Chute clean out tool		
	13	1		9579-0008-00	Buntband	Cable holder		
X	14	1		1811-2053-01	Fäste	Mounting bracket		
X	15	1		1811-2048-01	Utkastring	Lower chute ring		
	16	8		9899-3622-16	Skruv	Screw		
X	17	1		1811-2045-01	Utkaströr	Lower chute		
X	18	1		1811-2056-01	Fjäder	Spring		
X	19	2		1811-2097-01	Släpsko	Skid shoe		
X	20	2		1811-2051-01	Distans	Spacer		
X	21	6		1811-2023-01	Skruv	Hex bolt		
X	22	2		1811-9011-01	Brytbultsats	Shear pin kit	Sats 2 st/kit of 2	
X	23	1		1811-2103-01	Skrapskär	Shave plate		
X	24	1		1811-2087-01	Distans	Spacer		
X	25	1		1811-2047-01	Fläkt	Impeller		
X	26	1		1811-2040-01	Axel	Worm shaft		
X	27	2		1811-2035-01	Spännstift	Spiral pin		
X	28	1		1811-2044-01	• Tätningring	• Oil seal		
X	29	1		1811-2078-01	• Flänslager	• Flange bearing		
X	30	1		1811-2070-01	• Planbricka	• Flat washer		
X	31	1		1811-2036-01	• Spännstift	• Spiral pin		
X	32	1		1811-2043-01	• Plugg	• Plug		
X	33	1		1811-2041-01	• Ring	• Thrust collar		
X	35	1		1811-2079-01	• Flänslager	• Flange bearing		
X	36	1		1811-2031-01	• Kil	• Key		
X	37	1		1811-2039-01	• Snäckdrev	• Worm gear	20T	
X	38	2		1811-2065-01	• Planbricka	• Flat washer		
X	39	1		1811-2015-01	Snöskruvhus	Auger housing		
X	40	1		1811-2010-01	• Hus- vä	• Housing- LH		
X	40A	1		1811-2009-01	• Hus- hö	• Housing- RH		
X	41	5		1811-2021-01	• Skruv	• Screw		
X	42	1		1811-2012-01	Snäckväxel kpl	Gearbox assy		
X	43	2		1811-2016-01	Snöskruv- vä	Auger- LH		
X	43A	2		1811-2017-01	Snöskruv- hö	Auger- RH		
X	44	2		1811-2098-01	Lagerhus	Bearing housing		
X	45	2		1811-2074-01	Flänslager	Flange bearing		
X	46	1		1811-2028-01	Snöskruvaxel	Auger axle		
X	47	8		1811-2077-01	Flänsbussning	Flange bushing		
X	48	2		1811-2065-01	Planbricka	Flat washer		