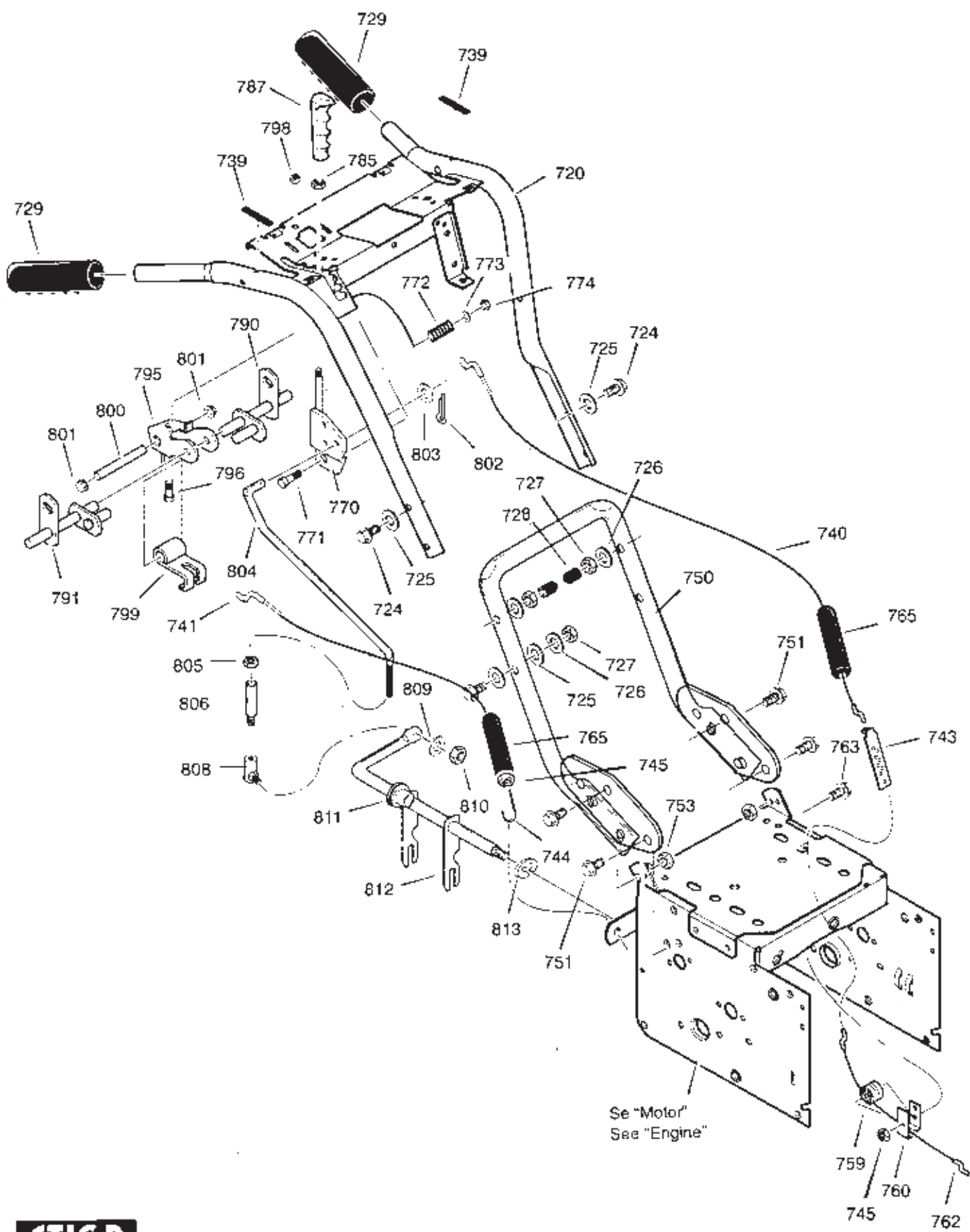


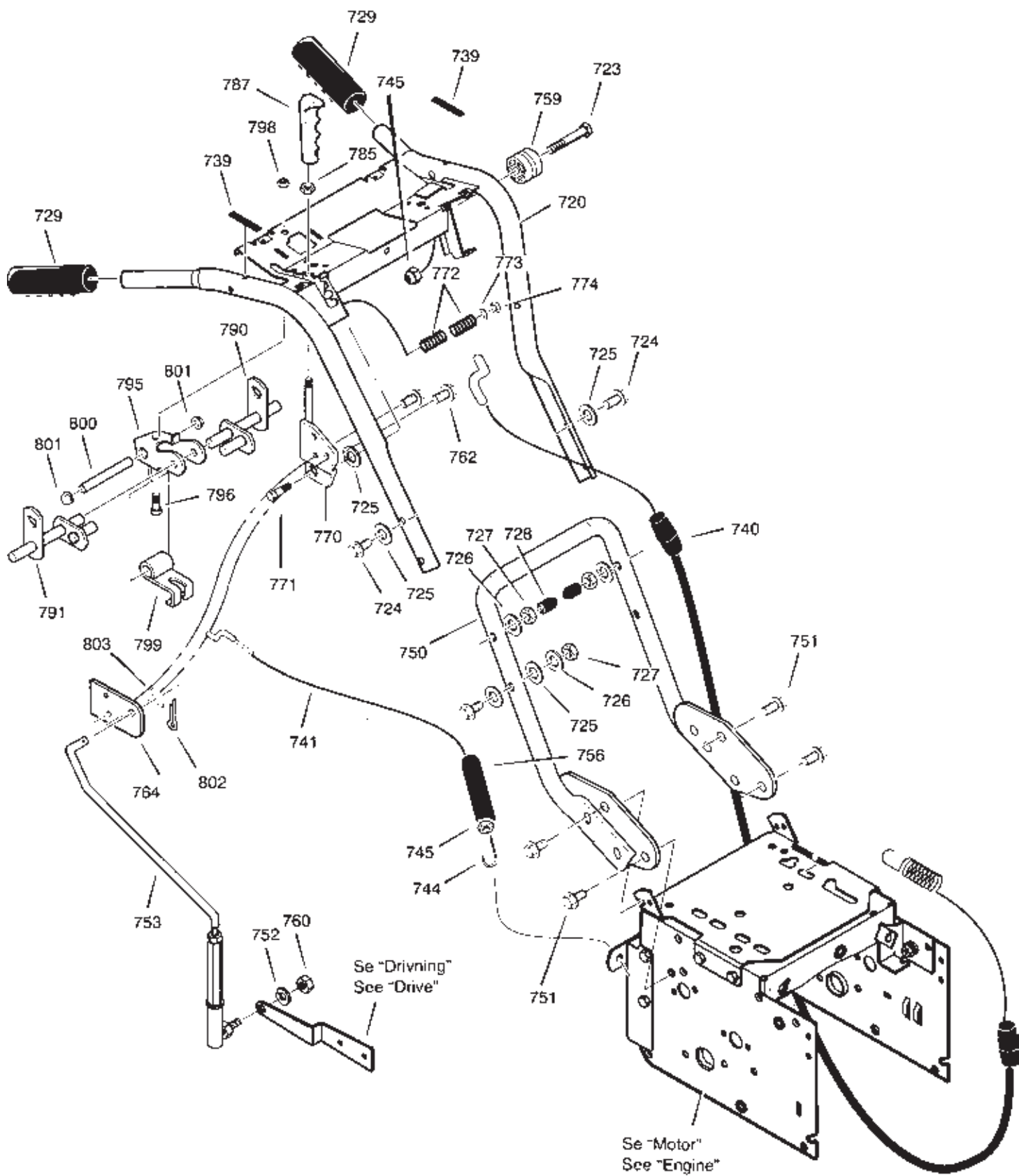
# Genuine Spare Parts

---



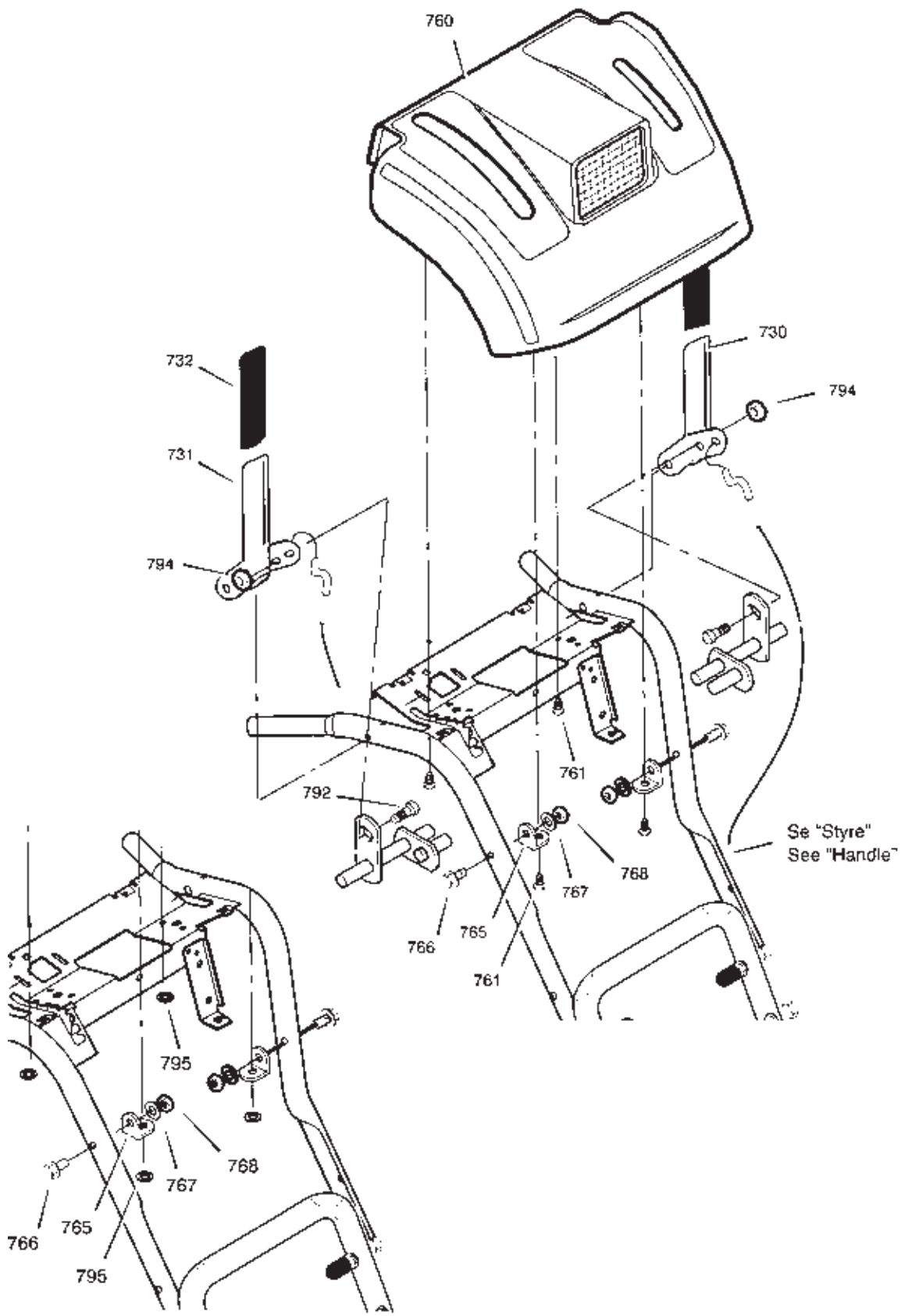


Utgåva Issue		Bildnr Picture No		1074 POWER STYRE	1074 POWER HANDLE	Sida Page		
2004-14		1525B				78		
Pos. Fig.	Antal/Quantity			Art nr Part No	Benämning	Description	Sats Kit	Anmärkning Notes
	2841							
720	1			1812-1812-01	Styre-överdel .....	Handle-upper .....		
724	4			9988-3764-12	Skruv .....	Screw .....		
725	6			9699-0035-02	Planbricka .....	Flat washer .....		
726	4			9683-0035-02	Låsbricka .....	Lock washer .....		
727	4			9795-3731-02	Mutter .....	Nut .....		
728	2			1812-0830-01	Plastknopp .....	Plastic stop .....		
729	2			1812-1775-01	Handtag .....	Handle grip .....		
739	2			1812-0520-01	Skydd .....	Protection .....		
740	1			1812-1861-01	Kopplingswire .....	Clutch cable .....		
741	1			1812-1819-01	Reglagewire .....	Auger cable .....		
743	1			1133-0977-01	Wirefäste .....	Cable adjust bracket .....		
744	1			1812-0254-01	Fjäder .....	Spring .....		
745	2			1812-1760-01	Mutter .....	Nut .....		
750	1			1812-1818-01	Styre-underdel .....	Handle-lower .....		
751	4			1812-1833-01	Skruv .....	Screw .....		
753	2			1812-1759-01	Mutter .....	Nut .....		
759	1			1812-1205-01	Spole .....	Spool .....		
760	1			1812-1702-01	Fäste .....	Bracket .....		
762	1			1812-1727-01	Reglagewire- nedre .....	Drive cable- lower .....		
763	1			1812-1772-01	Skruv .....	Screw .....		
765	2			1133-0968-01	Wirehylsa .....	Clutch spring boot .....		
770	1			1812-1865-01	Växelspak .....	Shift lever .....		
771	1			9988-3745-12	Skruv .....	Screw .....		
772	1			1812-0304-01	Fjäder .....	Spring .....		
773	1			9699-0035-02	Planbricka .....	Flat washer .....		
774	1			9743-3721-32	Mutter .....	Nut .....		
785	1			9743-3721-32	Mutter .....	Nut .....		
787	1			1133-0650-01	Handtag .....	Handle .....		
790	1			1812-1414-01	Spärrstång- vä .....	Bail rod- L.H. ....		
791	1			1812-1188-01	Spärrstång- hö .....	Bail rod- R.H. ....		
795	1			1812-1593-01	Fäste .....	Cam retainer bracket .....		
796	1			1812-1765-01	Skruv .....	Screw .....		
798	1			9743-3621-32	Mutter .....	Nut .....		
799	1			1812-0834-01	Låsfjäder .....	Cam lock spring .....		
800	1			1812-1280-01	Sprint .....	Pin latch .....		
801	2			1812-1483-01	Låsning .....	Retainer .....		
802	1			9599-0036-02	Saxsprint .....	Split pin .....		
803	1			9699-0029-02	Planbricka .....	Flat washer .....		
X 804	1			1812-1945-01	Reglagestång .....	Control rod .....		
805	1			9794-5131-02	Mutter .....	Nut .....		
806	1			1812-0622-01	Skruvhylsa .....	Adaptor .....		
808	1			1812-0627-01	Kulled .....	Ball joint .....		
809	1			9683-0030-02	Låsbricka .....	Lock washer .....		
810	1			9794-5131-02	Mutter .....	Nut .....		
811	1			1812-1219-01	Plastbussning .....	Plastic bushing .....		
812	1			1812-1720-01	Växelarm .....	Yoke rod .....		
813	1			1812-1672-01	Låsring .....	Retainer ring .....		
X 998	1			8218-2217-02	Bruksanvisning .....	Owner's manual .....		Ej ill/not ill.
999	1			1812-1875-01	Tbh- påse .....	Parts bag .....		Ej ill/not ill.

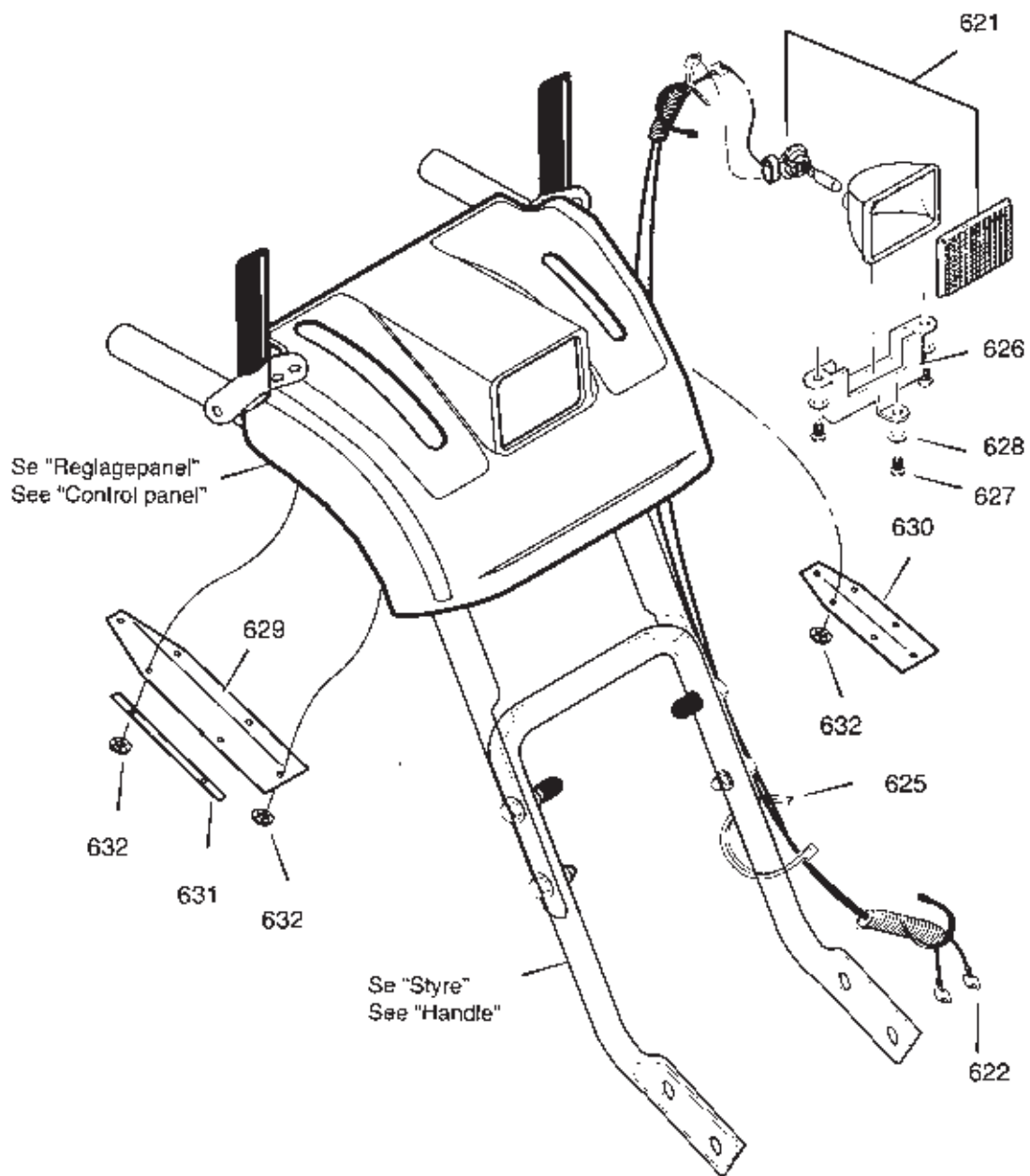


Utgåva Issue		Bildnr Picture No		1174 HST STYRE		1174 HST HANDLE		Sida Page	
2004-14		1524A						80	
Pos. Fig.	Antal/Quantity			Art nr Part No	Benämning	Description	Sats Kit	Anmärkning Notes	
	2946								
720	1			1812-1813-01	Styre-överdel .....	Handle-upper .....			
723	1			9988-3532-12	Skruv .....	Screw .....			
724	4			9988-3764-12	Skruv .....	Screw .....			
725	7			9699-0035-02	Planbricka .....	Flat washer .....			
726	4			9683-0035-02	Låsbricka .....	Lock washer .....			
727	4			9795-3731-02	Mutter .....	Nut .....			
728	2			1812-0830-01	Plastknopp .....	Plastic stop .....			
729	2			1812-1775-01	Handtag .....	Handle grip .....			
739	2			1812-0520-01	Skydd .....	Protection .....			
740	1			1812-1804-01	Reglagewire .....	Drive cable .....			
741	1			1812-1819-01	Reglagewire .....	Auger cable .....			
744	1			1812-0254-01	Fjäder .....	Spring .....			
745	2			1812-1757-01	Mutter .....	Nut .....			
750	1			1812-1818-01	Styre-underdel .....	Handle-lower .....			
751	4			1812-1833-01	Skruv .....	Screw .....			
752	1			9683-0030-02	Låsbricka .....	Lock washer .....			
753	1			1812-1823-01	Reglagestång .....	Drive rod .....			
756	1			1133-0968-01	Wirehylsa .....	Clutch spring boot .....			
759	1			1812-1205-01	Spöte .....	Spool .....			
760	1			9794-5131-02	Mutter .....	Nut .....			
762	2			9988-3516-16	Skruv .....	Screw .....			
764	1			1812-1807-01	Fäste .....	Control bracket .....			
770	1			1812-1811-01	Växelspak .....	Shift bracket .....			
771	1			9988-3764-12	Skruv .....	Screw .....			
772	2			1812-0304-01	Fjäder .....	Spring .....			
773	1			9699-0035-02	Planbricka .....	Flat washer .....			
774	1			9743-3721-32	Mutter .....	Nut .....			
785	1			9743-3721-32	Mutter .....	Nut .....			
787	1			1133-0650-01	Handtag .....	Handle .....			
790	1			1812-1414-01	Spärrstång-vä .....	Bail rod-L.H. ....			
791	1			1812-1413-01	Spärrstång-hö .....	Rod-R.H. ....			
795	1			1812-1593-01	Fäste .....	Cam retainer bracket .....			
796	1			1812-1765-01	Skruv .....	Screw .....			
798	1			9743-3621-32	Mutter .....	Nut .....			
799	1			1812-0834-01	Låsfjäder .....	Cam lock spring .....			
800	1			1812-1280-01	Sprint .....	Pin latch .....			
801	2			1812-1483-01	Låsning .....	Retainer .....			
802	1			9599-0036-02	Saxsprint .....	Split pin .....			
803	1			9699-0029-02	Planbricka .....	Flat washer .....			
998	1			8218-2217-02	Bruksanvisning .....	Owner's manual .....		Ej ill/not ill.	
999	1			1812-1875-01	Tbh-påse .....	Parts bag .....		Ej ill/not ill.	

X

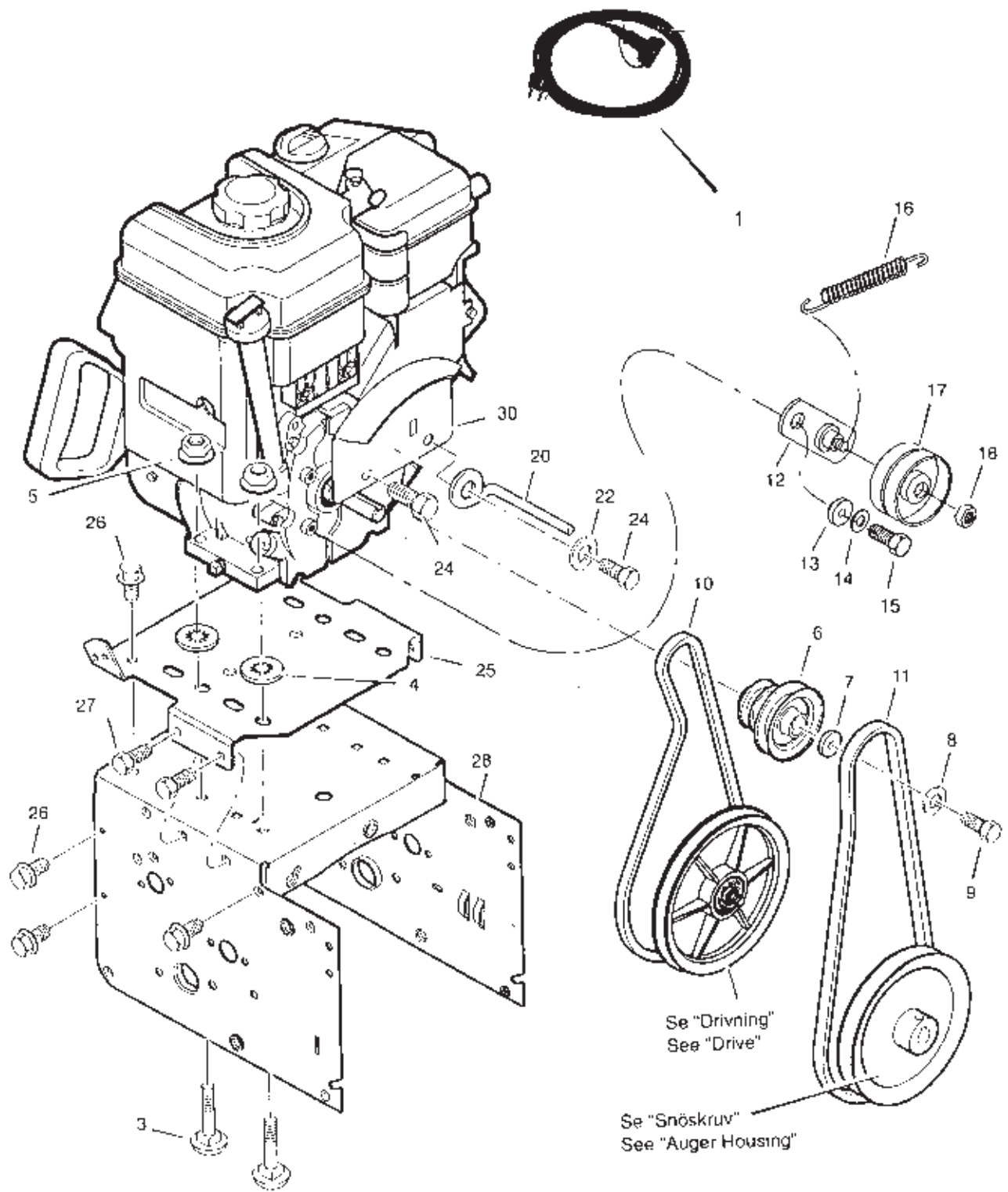


Utgåva Issue		Bildnr Picture No		1074 POWER 1174 HST REGLAGEPANEL		1074 POWER 1174 HST CONTROL PANEL		Sida Page	
2004-14		1526B						82	
Pos. Fig.	Antal/Quantity			Art nr Part No	Benämning	Description	Sats Kit	Anmärkning Notes	
	2841	2846							
730	1	1		1812-1802-01	Kopplingshandtag-vå.....	Clutch handle-LH.....			
731	1	1		1812-1801-01	Kopplingshandtag-hö.....	Clutch handle-RH.....			
732	2	2		1812-1774-01	Handtag.....	Grip.....			
760		1		1812-1796-01	Reglagepanel.....	Control panel.....			
X 760	1			1812-1985-01	Reglagepanel.....	Control panel.....			
761	4			1812-1394-01	Skruv.....	Screw.....			
765	2	2		1812-1186-01	Panelläste.....	Panel bracket.....			
766	2	2		9988-3645-16	Skruv.....	Screw.....			
767	2	2		9683-0030-02	Låsbricka.....	Lock washer.....			
768	2	2		1812-1759-01	Mutter.....	Nut.....			
792	2	2		9988-3513-16	Skruv.....	Screw.....			
794	2	2		9795-3531-02	Mutter.....	Nut.....			
795		4		1812-1769-01	Låsning.....	Push nul.....			



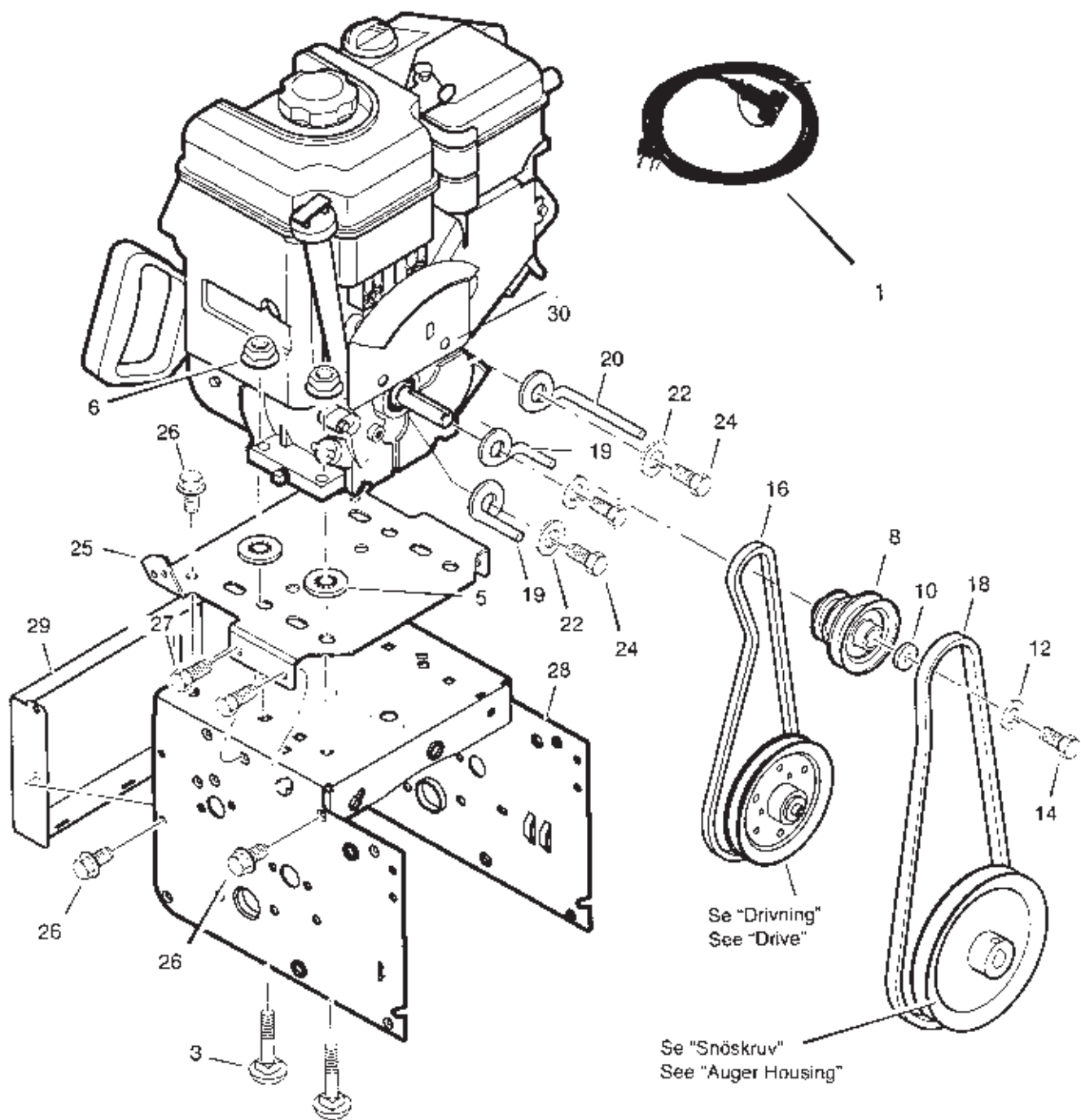


Utgåva Issue 2004-14		Bildnr Picture No 1527		1074 POWER 1174 HST STRÅLKASTARE		1074 POWER 1174 HST HEADLIGHT		Sida Page 84	
Pos. Fig.	Antal/Quantity			Art nr Part No	Benämning	Description	Sats Kit	Anmärkning Notes	
	2841	2846							
X 621	1	1		1812-1780-01	Strålkastare kpl.....	Headlight assy.....			
621 A	1	1		1812-1909-01	• Halogenlampa.....	• Halogene bulb.....		27W	
622	1	1		1812-1820-01	Kablage.....	Harness.....			
625	1	1		9579-0003-00	Buntband.....	Cable holder.....			
626	1	1		1812-1187-01	Lampfäste.....	Light bracket.....			
627	3	3		1812-1476-01	Skruv.....	Screw.....			
628	3	3		1812-1477-01	Planbricka.....	Flat washer.....			
629	1	1		1812-1815-01	Lock.....	Cover.....			
630	1	1		1812-1816-01	Lock.....	Cover.....			
631	4	4		1812-1797-01	List.....	Strip.....			
632	12	12		1812-1769-01	Låsning.....	Push nut.....			



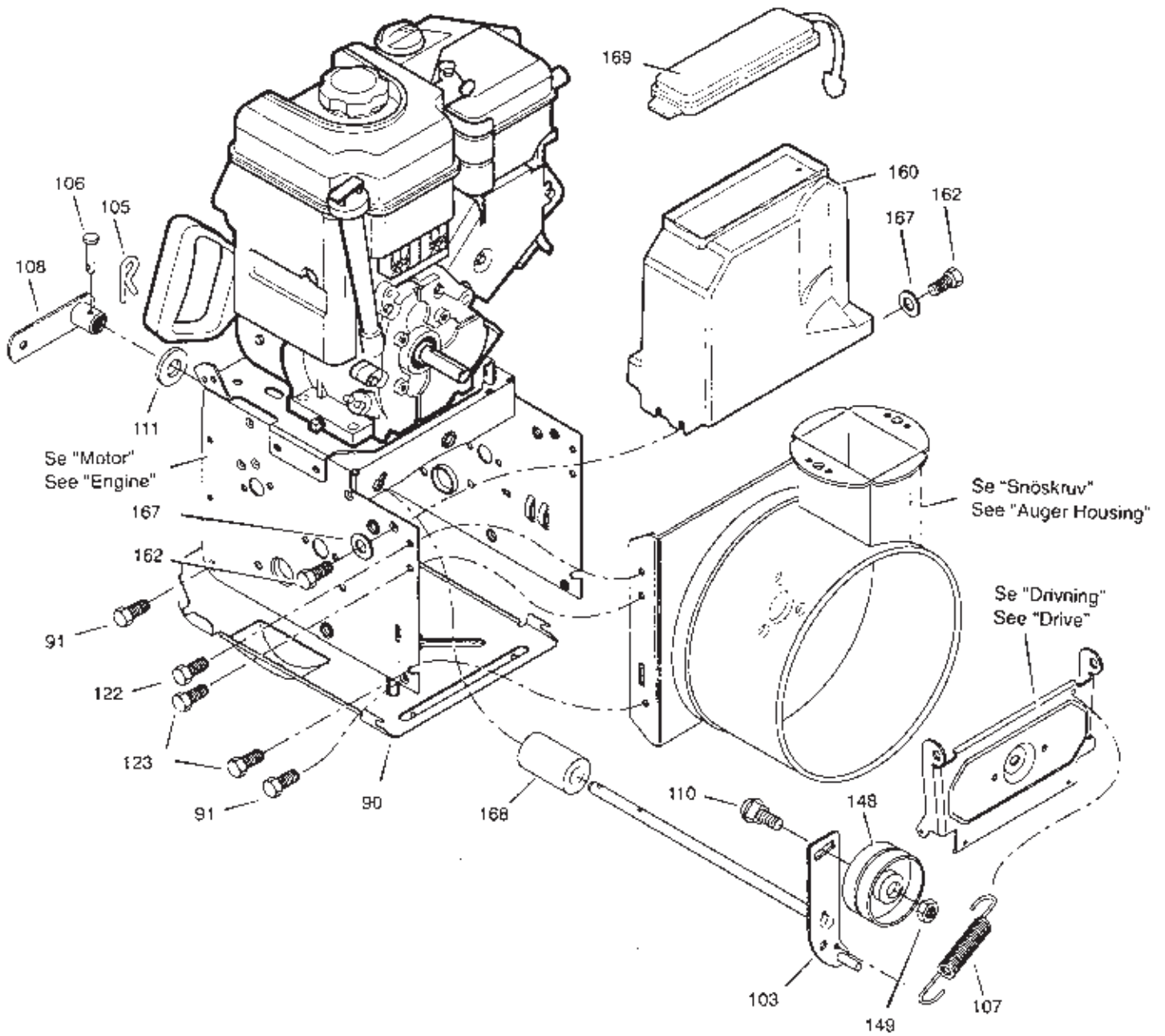
Utgåva Issue 2004-14		Bildnr Picture No 1776		1074 POWER MOTOR		1074 POWER ENGINE		Sida Page 86	
Pos. Fig.	Antal/Quantity			Art nr Part No	Benämning	Description	Sats Kit	Anmärkning Notes	
	2841								
1	1			1812-1615-01	Förlängningsladd .....	Extension cord .....			
3	4			1812-1678-01	Vagnsbult .....	Carriage bolt .....			
4	4			1812-1681-01	Hållare .....	Retainer .....			
5	4			9795-3631-02	Mutter .....	Nut .....			
6	1			1812-1719-01	Motorremskiva .....	Engine pulley .....			
7	1			1812-1691-01	Bricka .....	Washer .....			
8	1			9683-0035-02	Låsbricka .....	Lock washer .....			
9	1			1133-0762-01	Skruv .....	Screw .....			
10	1			1812-9016-01	Drivrem .....	Drive belt .....			
11	1			1812-9020-01	Drivrem .....	Drive belt .....			
12	1			1812-1722-01	Spännrullsläste .....	Idler bracket .....			
13	1			1812-1705-01	Bussning .....	Bushing .....			
14	1			9683-0030-02	Låsbricka .....	Lock washer .....			
15	1			9987-5119-16	Skruv .....	Screw .....			
16	1			1812-1835-01	Fjäder .....	Spring .....			
17	1			1812-1834-01	Spännrulle .....	Idler pulley .....			
18	1			9743-3721-32	Mutter .....	Nut .....			
20	1			1812-1742-01	Remstyrning .....	Belt guide .....			
22	1			9683-0030-02	Låsbricka .....	Lock washer .....			
24	2			9987-5119-16	Skruv .....	Screw .....			
25	1			1812-1703-01	Motorplatta .....	Engine mount plate .....			
26	6			9988-3516-16	Skruv .....	Screw .....			
27	4			1812-1832-01	Skruv .....	Screw .....			
28	1			1812-1938-01	Motorchassi .....	Engine box frame .....			
30	1			1812-1988-01	Skydd .....	Shield .....			

X  
X

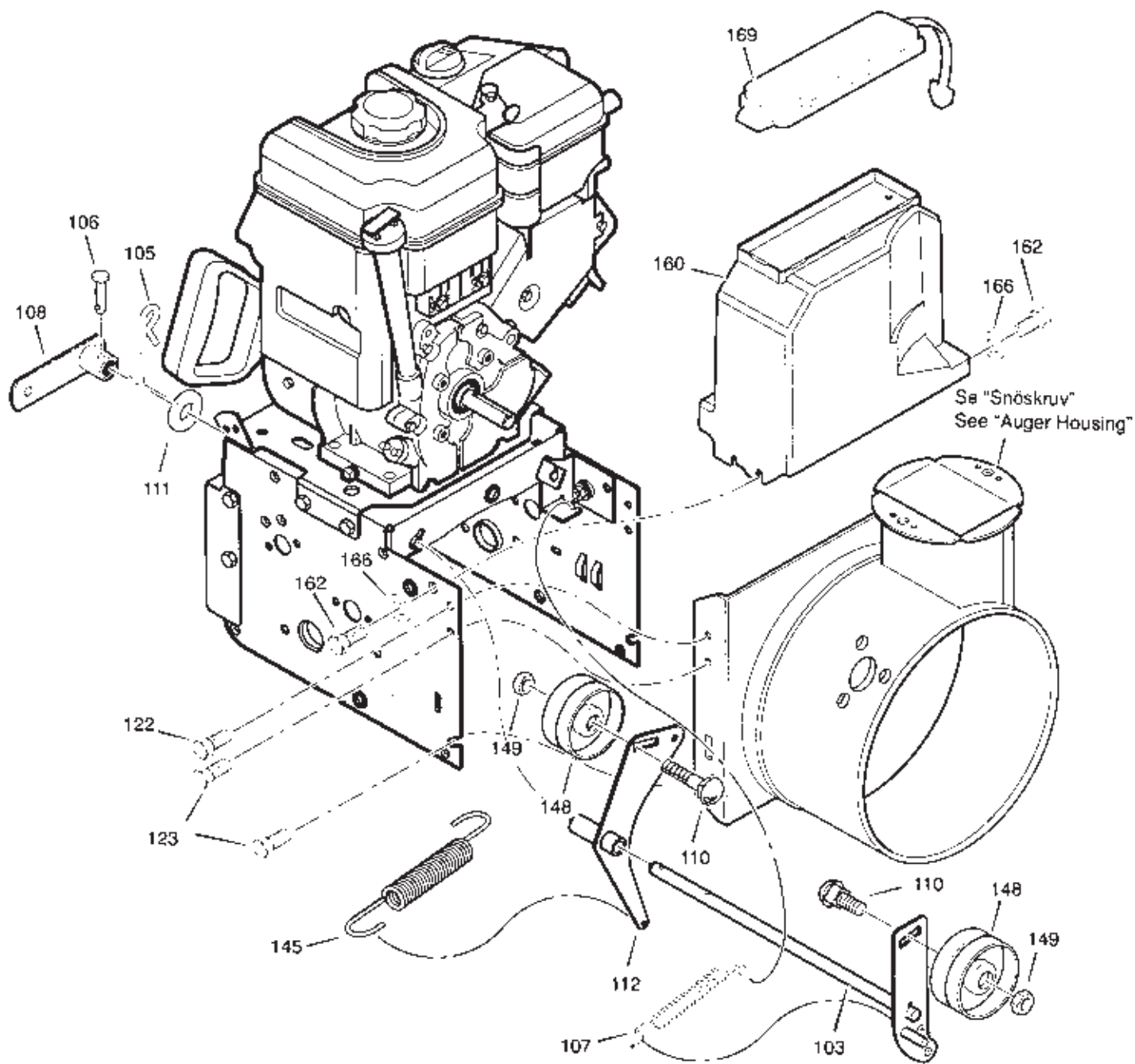


Utgåva Issue 2004-14		Bildnr Picture No 1528A		1174 HST MOTOR		1174 HST ENGINE		Sida Page 88	
Pos. Fig.	Antal/Quantity			Art nr Part No	Benämning	Description	Sats Kit	Anmärkning Notes	
	2846								
1	1			1812-1615-01	Förlängningssladd .....	Extension cord .....			
3	4			1812-1678-01	Vagnsbult .....	Carriage bolt .....			
5	4			1812-1681-01	Hållare .....	Retainer .....			
6	4			9795-3631-02	Mutter .....	Nut .....			
8	1			1812-1719-01	Motorremskiva .....	Engine pulley .....			
10	1			1812-1691-01	Bricka .....	Washer .....			
12	1			9683-0035-02	Låsbricka .....	Lock washer .....			
14	1			1133-0762-01	Skruv .....	Screw .....			
16	1			1812-9027-01	Drivrem .....	Drive belt .....			
18	1			1812-9020-01	Drivrem .....	Drive belt .....			
19	2			1812-1808-01	Remstyrning .....	Belt guide .....			
20	1			1812-1742-01	Remstyrning .....	Belt guide .....			
22	3			9683-0030-02	Låsbricka .....	Lock washer .....			
24	3			9987-5119-16	Skruv .....	Screw .....			
25	1			1812-1703-01	Motorplatta .....	Engine mount plate .....			
26	6			9988-3516-16	Skruv .....	Screw .....			
27	4			1812-1832-01	Skruv .....	Screw .....			
28	1			1812-1792-01	Motorchassi .....	Engine box frame .....			
29	1			1812-1798-01	Bakplåt .....	Back panel .....			
30	1			1812-1986-01	Skyddsfäste .....	Shield bracket .....			

X



Utgåva Issue 2004-14		Bildnr Picture No 1530B		1074 POWER RAM		1074 POWER FRAME		Sida Page 90	
Pos. Fig.	Antal/Quantity			Art nr Part No	Benämning	Description	Sats Kit	Anmärkning Notes	
	2841								
X 90	1			1812-1700-01	Bottenplåt.....	Bottom cover.....			
91	4			9988-3516-16	Skruv.....	Screw.....			
103	1			1812-2004-01	Spännarm.....	Idler.....			
105	1			1812-1511-01	Låsstift.....	Hair pin.....			
106	1			1812-1533-01	Pinne.....	Klik pin.....			
107	1			1812-1676-01	Fjäder.....	Tension spring.....			
108	1			1812-1693-01	Fjäderläste.....	Spring attachment.....			
110	1			9899-3732-16	Skruv.....	Screw.....			
111	1			1812-1509-01	Planbricka.....	Flat washer.....			
122	2			1812-1832-01	Skruv.....	Screw.....			
123	4			1812-1833-01	Skruv.....	Screw.....			
148	1			1812-0305-01	Spännrulle.....	Tension roller.....			
149	1			9743-3721-32	Mutter.....	Nut.....			
160	1			1812-1785-01	Remskydd.....	Belt cover.....			
162	2			1812-1680-01	Skruv.....	Screw.....			
167	2			9699-0028-02	Planbricka.....	Flat washer.....			
168	1			1812-1741-01	Distans.....	Spacer.....			
169	1			1812-1777-01	Lock.....	Tool box lid.....			



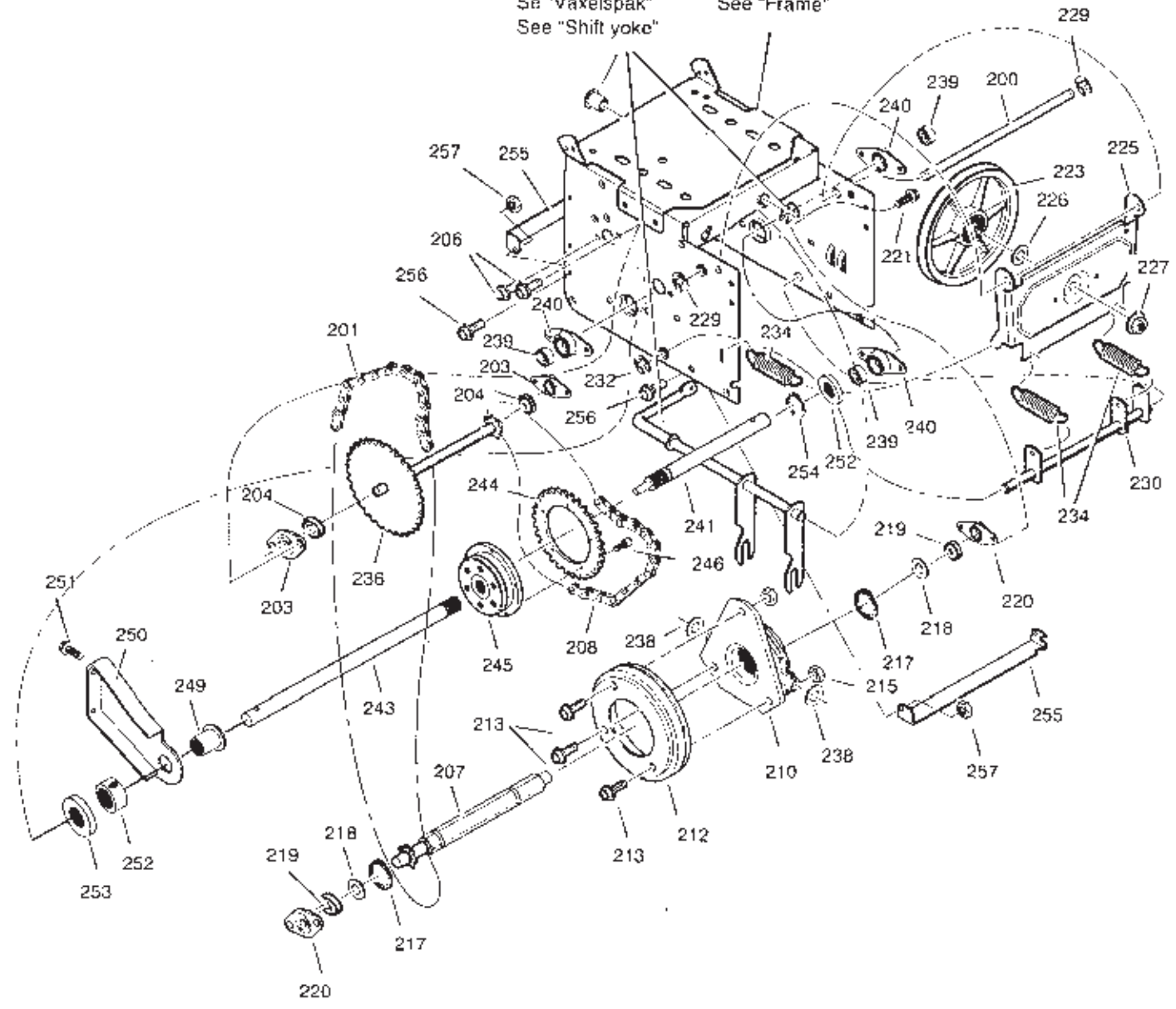




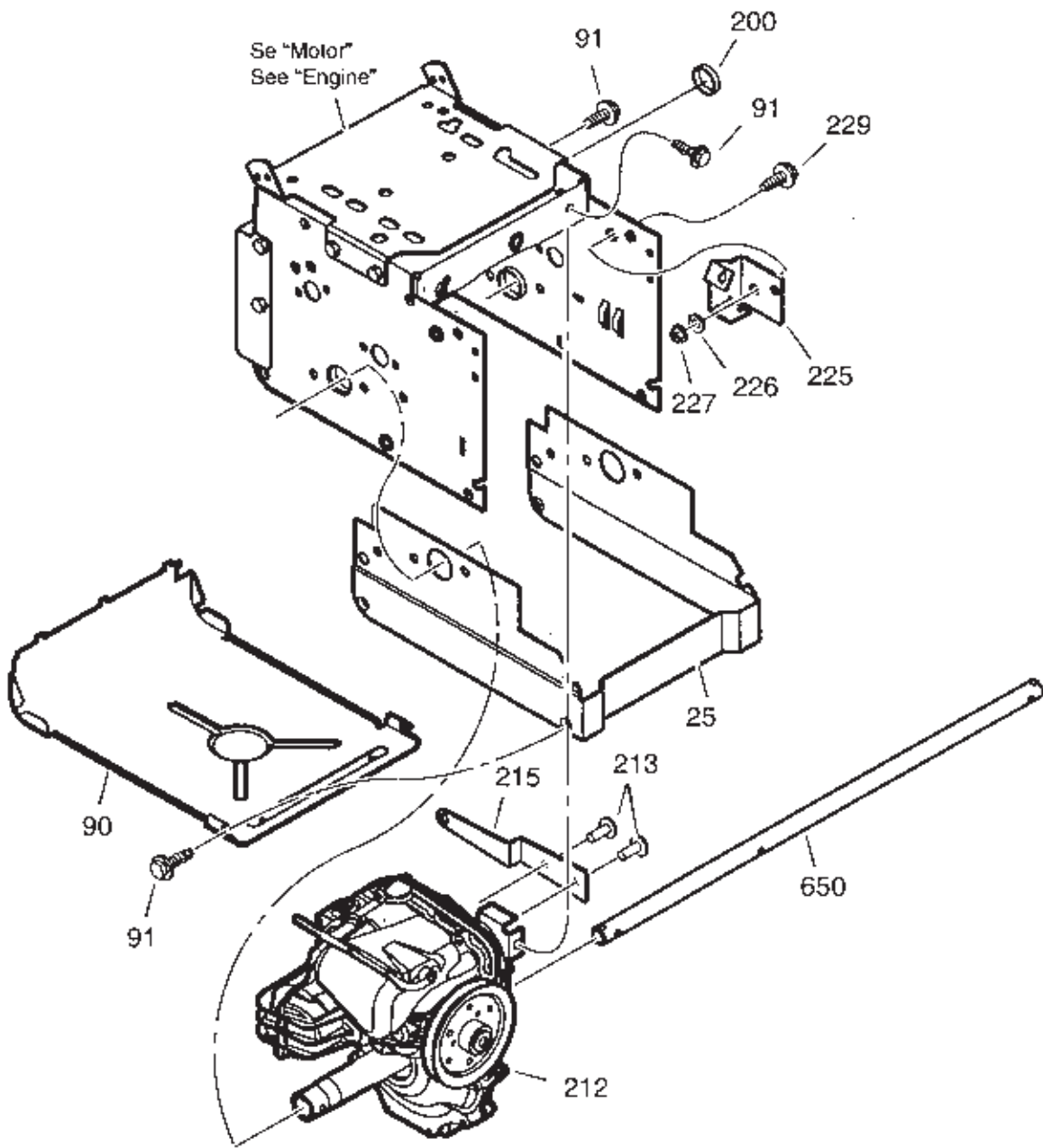
Utgåva Issue		Bildnr Picture No		1174 HST RAM		1174 HST FRAME		Sida Page	
2004-14		1529B						92	
Pos. Fig.	Antal/Quantity			Art nr Part No	Benämning	Description	Sats Kit	Anmärkning Notes	
	2846								
X 103	1			1812-1946-01	Spännarm .....	Auger idler .....			
105	1			1812-1511-01	Låsstift .....	Hair pin .....			
106	1			1812-1533-01	Pinne .....	Klik pin .....			
107	1			1812-1676-01	Fjäder .....	Tension spring .....			
108	1			1812-1693-01	Fjäderfäste .....	Spring attachment .....			
110	2			9899-3732-16	Skruv .....	Screw .....			
111	1			1812-1509-01	Planbricka .....	Flat washer .....			
112	1			1812-1810-01	Spännarm .....	Idler bracket .....			
122	2			1812-1832-01	Skruv .....	Screw .....			
123	4			1812-1833-01	Skruv .....	Screw .....			
145	1			1812-1762-01	Fjäder .....	Clutch spring .....			
148	2			1812-0305-01	Spännrulle .....	Tension roller .....			
149	2			9743-3721-32	Mutter .....	Nut .....			
160	1			1812-1785-01	Remskydd .....	Belt cover .....			
162	2			1812-1680-01	Skruv .....	Screw .....			
166	2			9699-0028-02	Planbricka .....	Flat washer .....			
169	1			1812-1777-01	Lock .....	Tool box lid .....			

Se "Växelspak"  
See "Shift yoke"

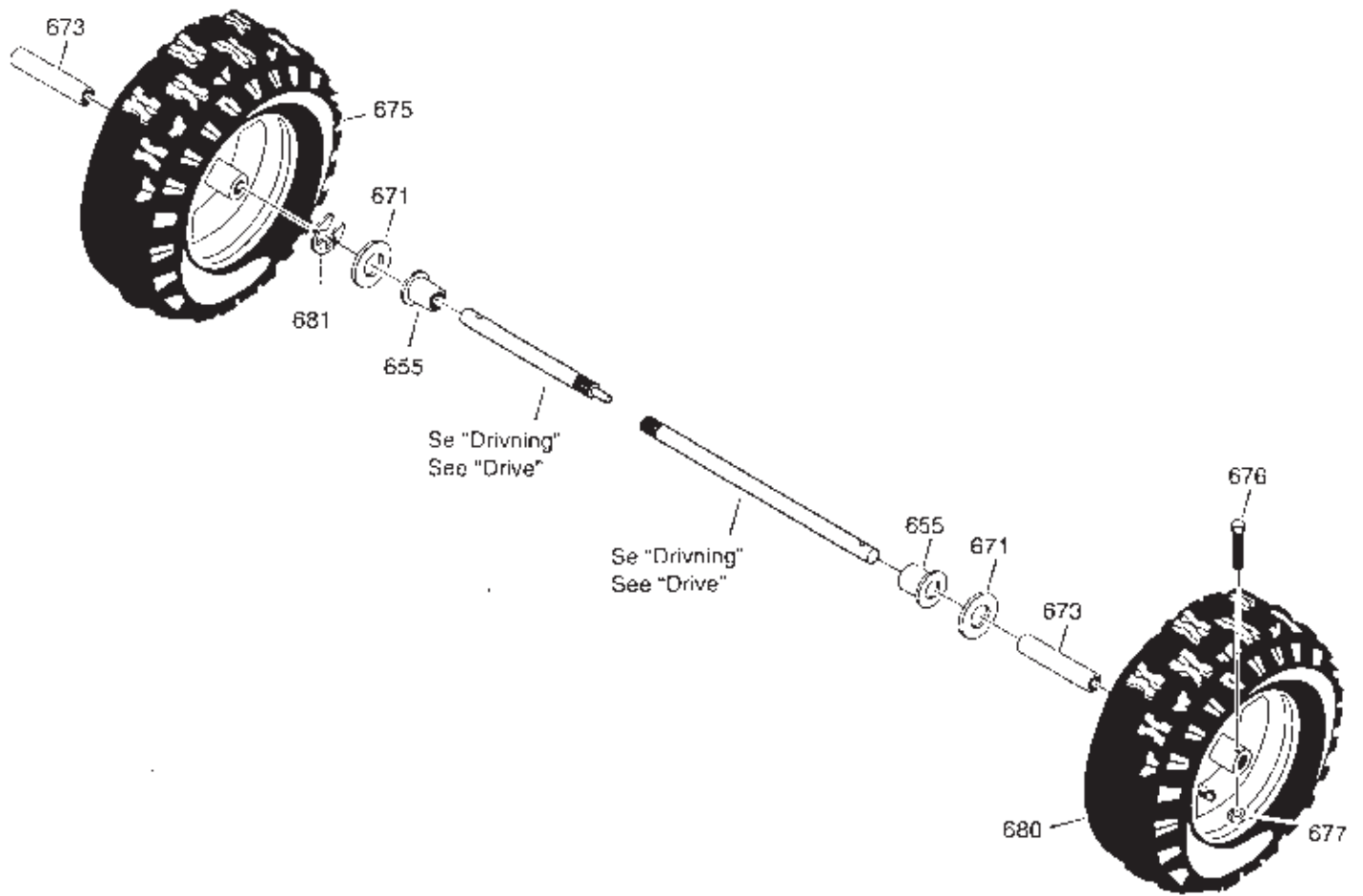
Se "Ram"  
See "Frame"



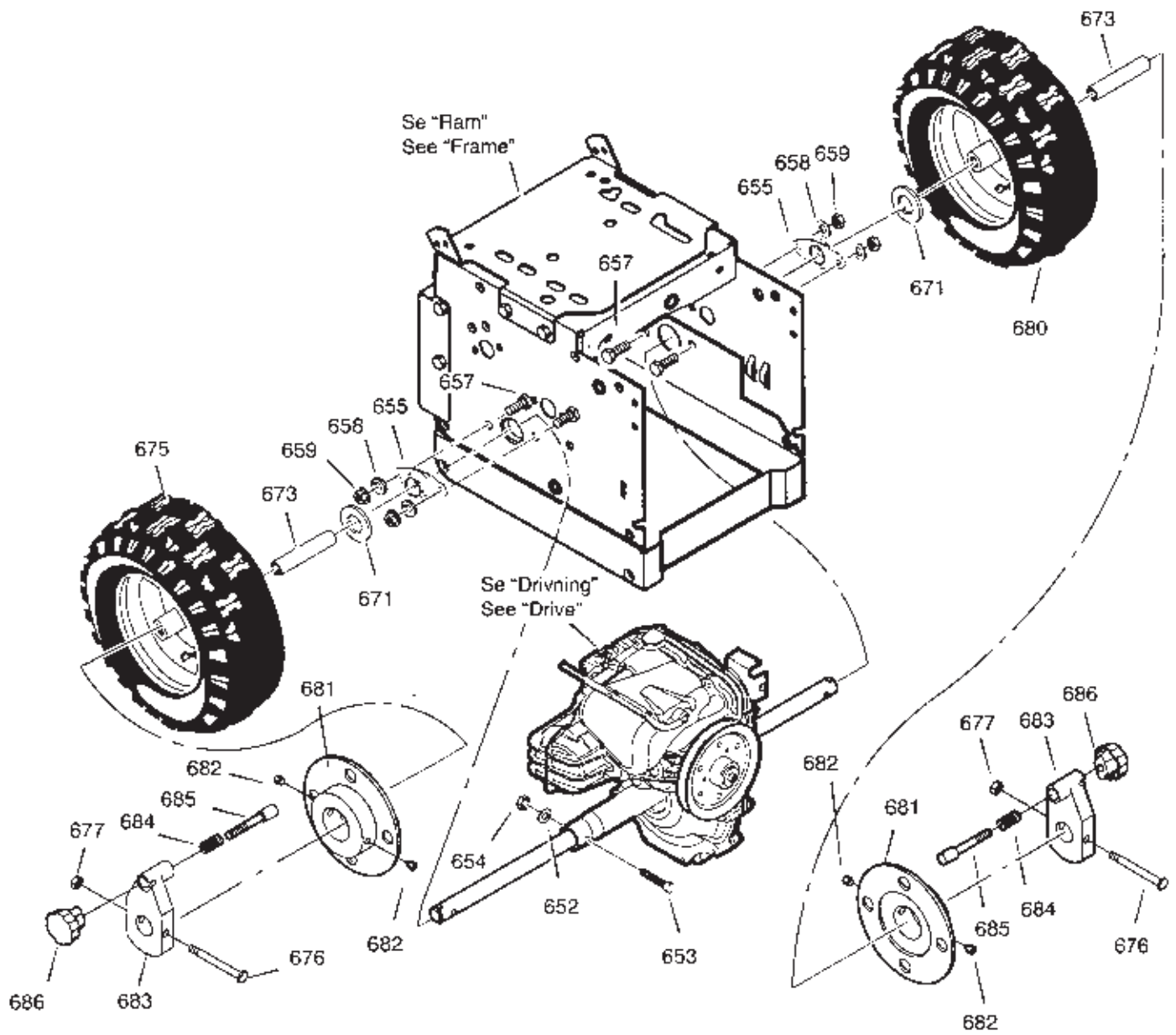
Utgåva Issue		Bildnr Picture No		1074 POWER DRIVNING		1074 POWER DRIVE		Sida Page	
2004-14		1777						94	
Pos. Fig.	Antal/Quantity			Art nr Part No	Benämning	Description	Sats Kit	Anmärkning Notes	
	2841								
	200	1		1812-1713-01	Axel- svängplatta .....	Axle- swing plate .....			
	201	1		1812-1686-01	Kedja .....	Chain .....			
	203	2		1812-1200-01	Lagerhållare .....	Bearing retainer .....			
	204	2		1812-1207-01	Kullager .....	Ball bearing .....			
	206	4		1812-1832-01	Skruv .....	Screw .....			
X	207	1		1812-2000-01	Sexkantsaxel .....	Hex shaft .....			
	208	1		1812-1688-01	Kedja .....	Chain .....			
	210	1		1812-1313-01	Lager .....	Trunion bearing .....			
X	212	1		1812-9028-01	Friktionshjul .....	Friction disc wheel .....			
	213	3		9988-3516-16	Skruv .....	Screw .....			
	215	3		9795-3531-02	Mutter .....	Nut .....			
	217	2		1812-1687-01	Låsring .....	Retext ring .....			
	218	2		1812-1204-01	Bricka .....	Washer .....			
	219	2		1812-1207-01	Kullager .....	Ball bearing .....			
	220	2		1812-1200-01	Lagerhållare .....	Bearing retainer .....			
	221	2		1812-1832-01	Skruv .....	Screw .....			
	223	1		1812-1725-01	Friktionsremskiva .....	Friction pulley .....			
	225	1		1812-1701-01	Svängplatta .....	Swing plate .....			
	226	1		1812-1739-01	Distans .....	Spacer .....			
	227	1		1812-1674-01	Flänslåsmutter .....	Flange lock nut .....			
	229	2		1812-1672-01	Låsring .....	Retainer ring .....			
X	230	1		1812-1936-01	Fjäderlänkarm .....	Spring link .....			
	232	2		1812-1672-01	Låsring .....	Retainer ring .....			
	234	3		1812-1675-01	Fjäder .....	Spring .....			
	236	1		1812-1715-01	Mellanaxel m.drev .....	Intermed. sprocket .....		33T/7T	
	238	2		9699-0038-02	Planbricka .....	Flat washer .....			
X	239	3		1812-1920-01	Kullager .....	Ball bearing .....			
X	240	3		1812-1919-01	Lagerhållare .....	Bearing retainer .....			
X	241	1		1812-2003-01	Axel .....	Axle and pin assy .....			
X	243	1		1812-2001-01	Axel .....	Axle and bushing .....			
X	244	1		1812-1935-01	Kedjedrev .....	Sprocket .....			
X	245	1		1812-1933-01	Differential .....	Auto lock clutch .....			
X	246	5		1812-1915-01	Skruv .....	Screw .....			
	249	1		1812-1724-01	Lager .....	Axle bearing .....			
X	250	1		1812-1932-01	Fäste .....	Axle support brackel .....			
	251	2		1812-1833-01	Skruv .....	Screw .....			
X	252	2		1812-1934-01	Låshylsa .....	Locking collar .....			
X	253	2		1812-1913-01	Bricka .....	Washer .....			
X	254	1		1812-1911-01	Låsring .....	Ring retainer .....			
X	255	2		1812-1999-01	Stödstag .....	Support bracket .....			
	256	4		9988-3516-16	Skruv .....	Screw .....			
	257	4		9743-3521-32	Mutter .....	Nut .....			



Utgåva Issue		Bildnr Picture No		1174 HST DRIVNING		1174 HST DRIVE		Sida Page	
2004-14		1531						96	
Pos. Fig.	Antal/Quantity			Art nr Part No	Benämning	Description	Sats Kit	Anmärkning Notes	
	2846								
25	1			1812-1799-01	Rampbyggnad .....	Frame extension .....			
90	1			1812-1795-01	Bottenplåt .....	Bottom cover .....			
91	6			9988-3516-16	Skruv .....	Screw .....			
200	2			1812-1825-01	Plugg .....	Plug .....			
212	1			1812-1800-01	Transmission kpl .....	Transmission assy .....		Hydro Gear 314-0410	
213	2			1812-1766-01	Nit .....	Rivet .....			
215	1			1812-1806-01	Reglagearm .....	Control extension arm .....			
225	1			1812-1803-01	Fäste .....	Drive cable bracket .....			
226	2			9683-0035-02	Låsbricka .....	Lock washer .....			
227	2			9743-3721-32	Mutter .....	Nut .....			
229	2			1812-1767-01	Skruv .....	Screw .....			
X 650	1			1812-1929-01	Hjulaxel .....	Wheel axle .....			

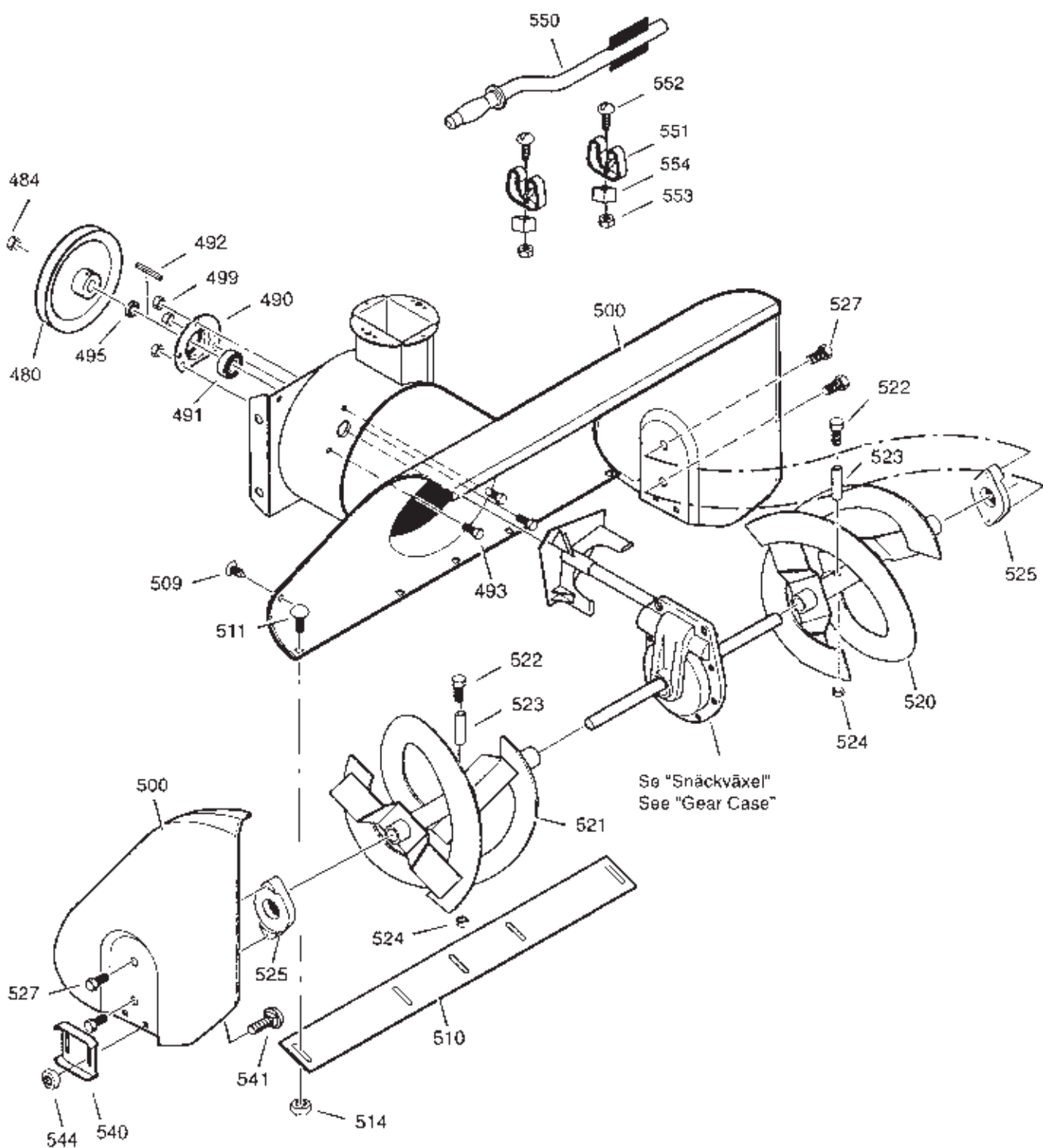


Utgåva Issue 2004-14		Bildnr Picture No 1779		1074 POWER HJUL		1074 POWER WHEELS		Sida Page 98	
Pos. Fig.	Antal/Quantity			Art nr Part No	Benämning	Description	Sats Kit	Anmärkning Notes	
	2841								
X 655	2			1812-1724-01	Lager .....	Axle bearing .....			
671	2			1812-0407-01	Bricka .....	Washer .....			
673	2			1812-1733-01	Hjulbussning .....	Wheel bushing .....			
X 675	1			1812-1952-01	Hjul kpl-vä .....	Wheel assy-LH .....		4.00/4.80-8 (16x4')	
676	1			1812-1114-01	Bult .....	Bolt .....			
677	1			1812-1760-01	Mutter .....	Nut .....			
X 680	1			1812-1951-01	Hjul kpl-hö .....	Wheel assy-RH .....		4.00/4.80-8 (16x4')	
681	1			1812-0567-01	Låsring .....	Retaining ring .....			

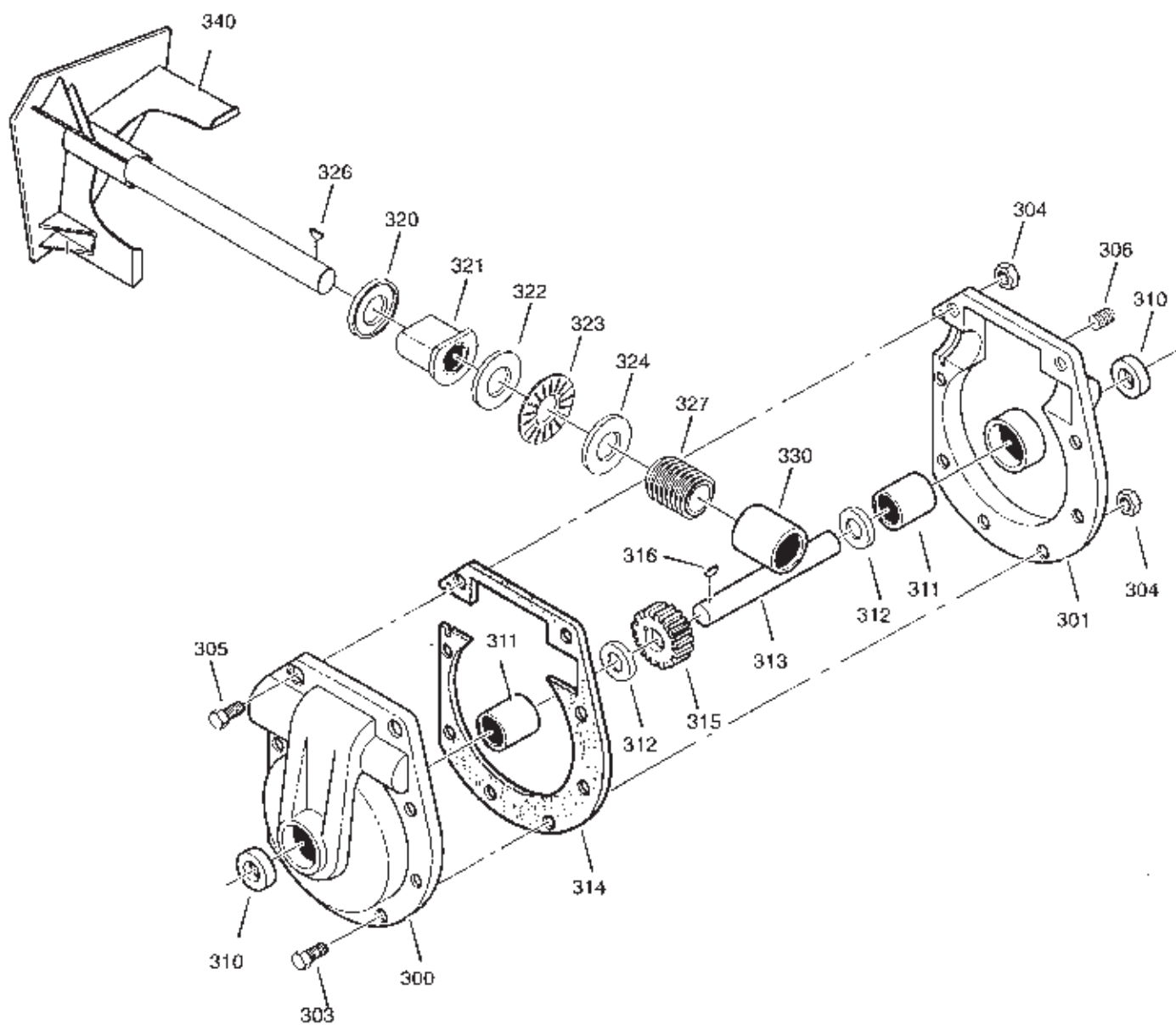




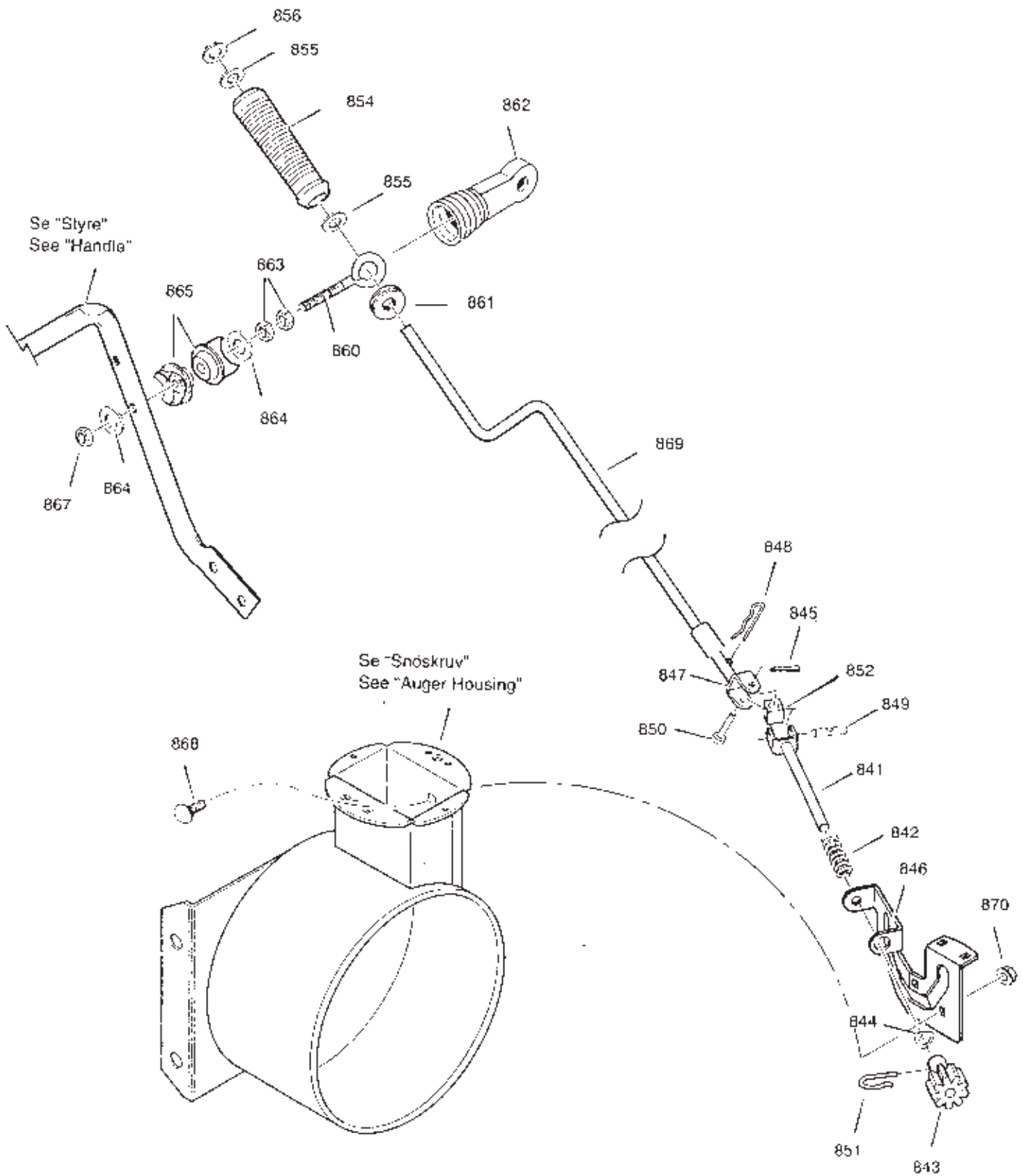
Utgåva Issue 2004-14		Bildnr Picture No 1533A		1174 HST HJUL		1174 HST WHEELS		Sida Page 100	
Pos. Fig.	Antal/Quantity			Art nr Part No	Benämning	Description	Sats Kit	Anmärkning Notes	
	2846								
	652	1		1812-0531-01	Distans .....	Spacer .....			
	653	1		1812-1755-01	Skruv .....	Screw .....			
	654	1		1812-1757-01	Mutter .....	Nut .....			
	655	2		1812-0820-01	Lager .....	Bearing .....			
	657	4		9988-3719-16	Skruv .....	Screw .....			
	658	4		9683-0035-02	Låsbricka .....	Lock washer .....			
	659	4		9795-3731-02	Mutter .....	Nut .....			
	671	2		1812-0407-01	Bricka .....	Washer .....			
	673	2		1812-1733-01	Hjulbussning .....	Wheel bushing .....			
X	675	1		1812-1948-01	Hjul kpl- hö .....	Wheel assy- RH .....		16 x 6.50-8	
	676	2		1812-1756-01	Skruv .....	Screw .....			
	677	2		1812-1760-01	Mutter .....	Nut .....			
X	680	1		1812-1947-01	Hjul kpl- vä .....	Wheel assy- LH .....		16 x 6.50-8	
	681	2		1812-1606-01	Hjullåttrik .....	Wheel disc .....			
	682	4		1812-1827-01	Skruv .....	Screw .....			
X	683	2		1812-1982-01	Hjullåsnav .....	Wheel lock hub .....		Inkl. pos 684 - 686	
	684	2		1812-1589-01	• Fjäder .....	• Compression spring .....			
X	685	2		1812-1959-01	• Låssprint .....	• Lock pin .....			
X	686	2		1812-1958-01	• Knopp .....	• Knob .....			



Utgåva Issue		Bildnr Picture No		1074 POWER 1174 HST SNÖSKRUV		1074 POWER 1174 HST AUGER HOUSING		Sida Page	
2004-14		1326A						102	
Pos. Fig.	Antal/Quantity		Art nr Part No	Benämning	Description	Sats Kit	Anmärkning Notes		
	2841	2846							
	480	1	1	1812-1261-01	Remskiva .....	Auger pulley .....			
	484	1	1	1812-1673-01	Mutter .....	Nut .....			
	490	1	1	1812-1690-01	Kullagerhållare .....	Ball bearing retainer .....			
	491	1	1	1812-1858-01	Kullager .....	Ball bearing .....			
	492	1	1	1812-1609-01	Kil .....	Key .....			
	493	3	3	9988-3613-16	Skruv .....	Screw .....			
	495	1	1	1812-1739-01	Distans .....	Spacer .....			
	499	3	3	9795-3631-02	Mutter .....	Nut .....			
X	500	1	1	1812-1941-01	Snöskruvhus .....	Auger housing .....			
	509	2	2	1812-1430-01	Plugg .....	Plug .....			
	510	1	1	1812-1449-01	Skrapskär .....	Scraper blade .....			
	511	5	5	9899-3622-16	Skruv .....	Screw .....			
	514	5	5	9795-3631-02	Mutter .....	Nut .....			
	520		1	1812-1445-01	Snöskruv- vä (sågtand) .....	Auger- LH .....			
	520	1		1812-1837-01	Snöskruv- va .....	Auger- LH .....			
	521		1	1812-1454-01	Snöskruv- hö (sågtand) .....	Auger- RH .....			
	521	1		1812-1838-01	Snöskruv- hö .....	Auger- RH .....			
	522	1	1	1812-9005-01	Brytbultsats .....	Shear bolt kit .....			
	523	2	2	1812-0531-01	Distans .....	Spacer .....			
	524	2	2	1812-0812-01	Låsmutter .....	Locking nut .....			
	525	2	2	1812-0347-01	Lager .....	Bearing .....			
	527	4	4	1812-1833-01	Skruv .....	Screw .....			
	540	2	2	1812-1603-01	Släpsko .....	Height adjust skid .....			
	541	4	4	9899-3622-16	Skruv .....	Screw .....			
	544	4	4	9795-3631-02	Mutter .....	Nut .....			
X	550	1	1	1812-1930-01	Rengöringsborste .....	Clean-out brush .....			
X	551	2	2	1812-1939-01	Hållare .....	Clips .....			
X	552	2	2	1812-1917-01	Skruv .....	Screw .....			
X	553	2	2	1812-1912-01	Mutter .....	Nut .....			
	554	2	2	1812-1317-01	Ledknut .....	Universal pivot block .....			

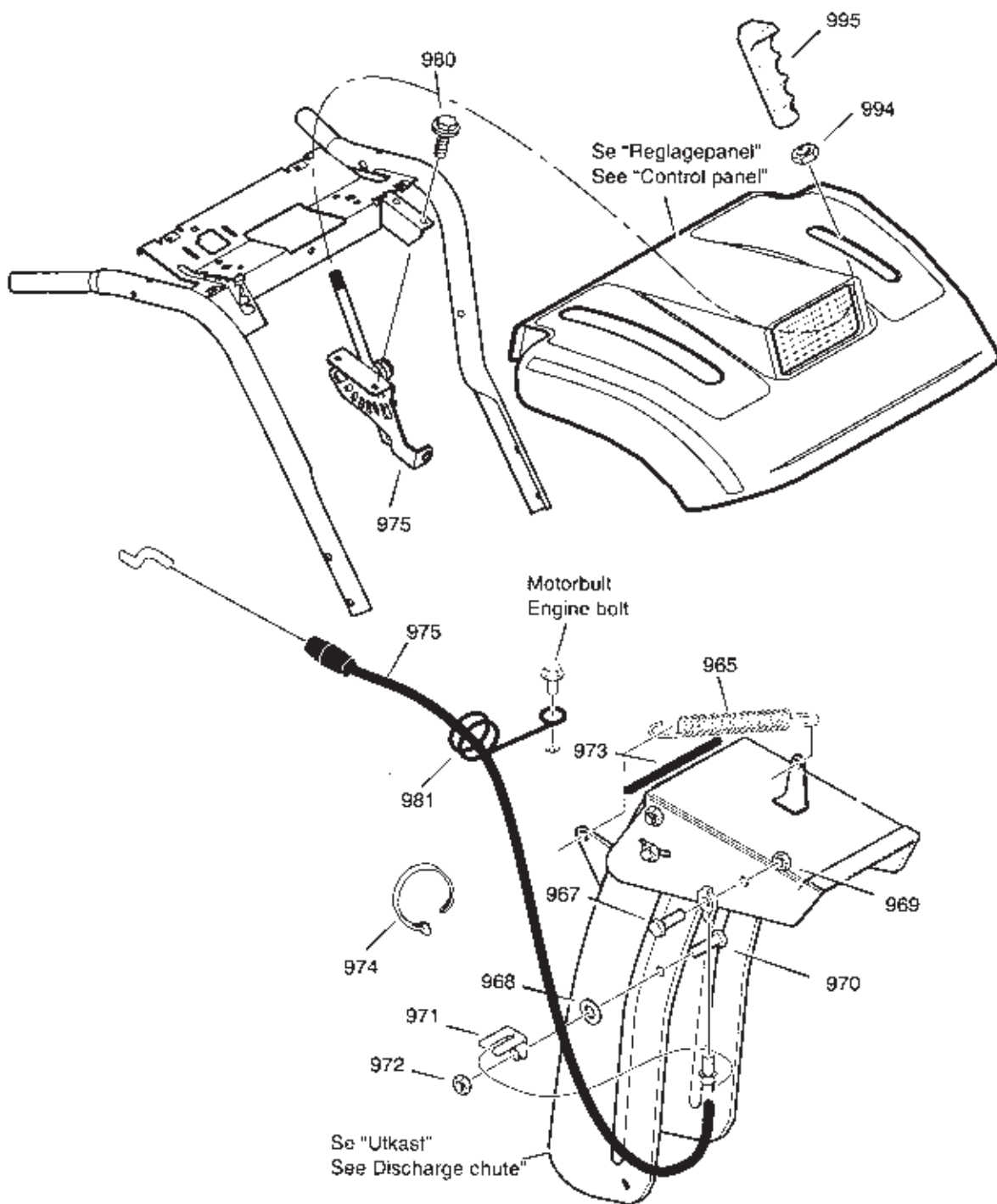


Utgåva Issue		Bildnr Picture No		1074 POWER 1174 HST SNÄCKVÄXEL		1074 POWER 1174 HST GEAR CASE		Sida Page	
2004-14		1324						104	
Pos. Fig.	Antal/Quantity			Art nr Part No	Benämning	Description	Sats Kit	Anmärkning Notes	
	2841	2846							
300	1	1		1812-0228-01	Snäckväxelhus- hö .....	Gear case- R.H. ....			
301	1	1		1812-0227-01	Snäckväxelhus- vä .....	Gear case- L.H. ....			
303	7	7		9987-5125-16	Skruv .....	Screw .....			
304	8	8		9743-5121-02	Mutter .....	Nut .....			
305	1	1		9987-5145-12	Skruv .....	Screw .....			
306	1	1		1812-0346-01	Oljeplugg .....	Oil plug .....			
310	2	2		1812-0344-01	Tätningring .....	Ring .....			
311	2	2		1812-0343-01	Lager .....	Bearing .....			
312	2	2		1812-0345-01	Bricka .....	Washer .....			
313	1	1		1812-1442-01	Snöskruvaxel .....	Auger shaft .....			
314	1	1		1812-0226-01	Packning .....	Gasket .....			
315	1	1		1812-0335-01	Drev .....	Worm gear .....			
316	1	1		1812-0409-01	Woodruffkil .....	Woodruffkey .....			
320	1	1		1812-0341-01	Tätningring .....	Ring .....			
321	1	1		1812-1259-01	Flänslager .....	Flange bearing .....			
322	1	1		1812-0857-01	Bricka .....	Thrust washer .....			
323	1	1		1812-0285-01	Nållager .....	Needle bearing .....			
324	1	1		1812-0857-01	Bricka .....	Thrust washer .....			
326	1	1		1812-0307-01	Kil .....	Key .....			
327	1	1		1812-0336-01	Snäckdrev .....	Gear .....			
330	1	1		1812-0297-01	Lager .....	Bearing .....			
340	1	1		1812-1735-01	Fläkt m. fläktaxel .....	Impeller assy .....			



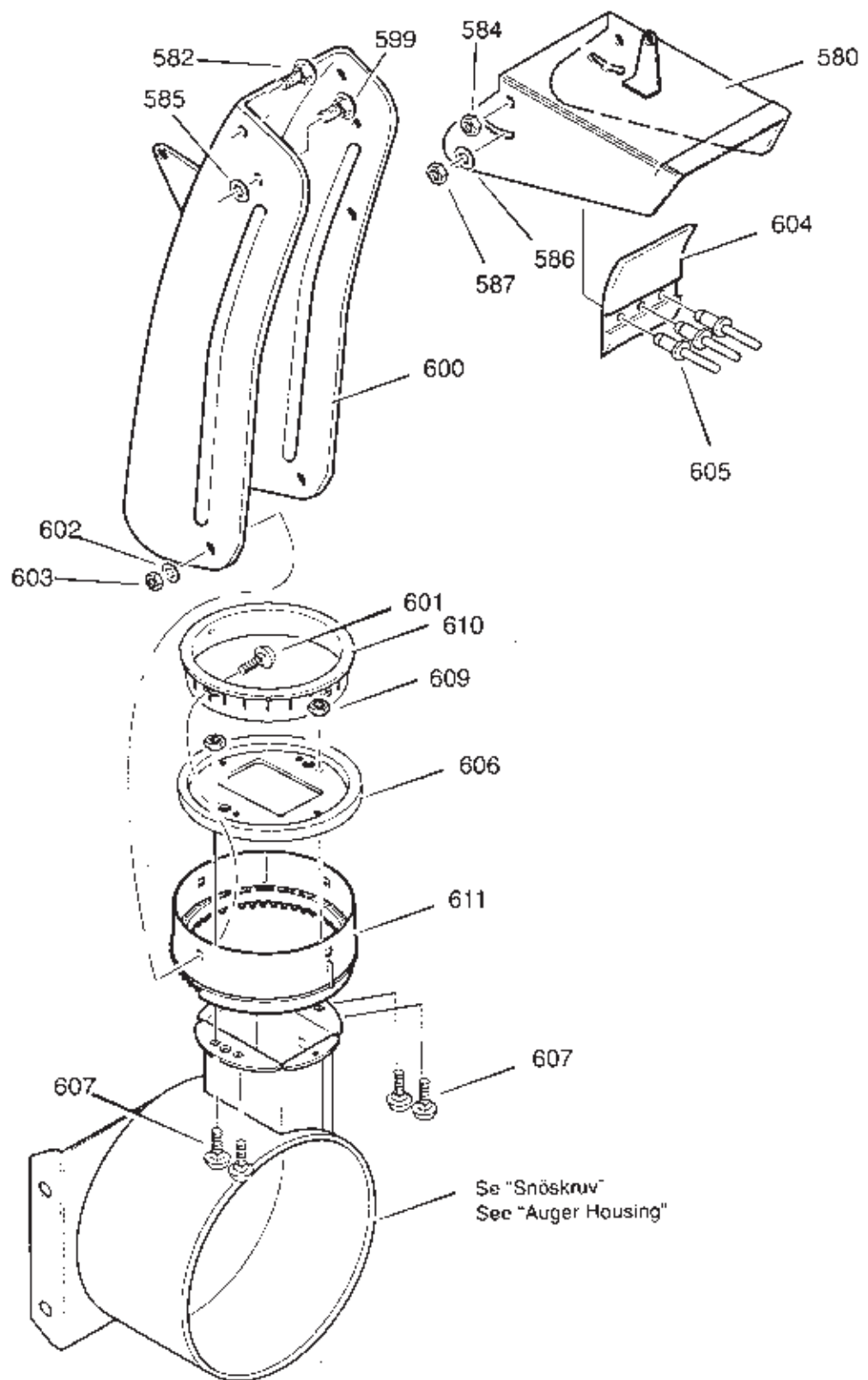
Utgåva Issue 2004-14		Bildnr Picture No 1535B		1074 POWER 1174 HST INSTÄLLNINGSVEV		1074 POWER 1174 HST CHUTE ROD		Sida Page 106	
Pos. Fig.	Antal/Quantity			Art nr Part No	Benämning	Description	Sats Kit	Anmärkning Notes	
	2841	2846							
841	1	1		1812-1826-01	Gaffelstång .....	Yoke and rod .....			
842	1	1		1812-1761-01	Fjäder .....	Spring .....			
843	1	1		1812-1706-01	Orev .....	Gear .....			
844	1			1812-1914-01	Kupad fjäderbricka .....	Curved spring washer .....			
845	1	1		9599-0033-00	Saxsprint .....	Split pin .....			
846	1	1		1812-1793-01	Fäste .....	Bracket .....			
847	1	1		1812-1708-01	Gaffel .....	Yoke adapter .....			
848	1	1		1812-1511-01	Låsstift .....	Hair pin .....			
849	1	1		1812-1316-01	Axel .....	Universal pin .....			
850	1	1		1812-1318-01	Sprint .....	Clevis pin .....			
851	1	1		1812-1791-01	Låsnål .....	Hair pin .....			
852	1	1		1812-1317-01	Ledknut .....	Universal pivot block .....			
854	1	1		1812-1168-01	Handtag .....	Handle .....			
855	2	2		1812-1171-01	Bricka .....	Washer .....			
856	1	1		1812-1483-01	Låsning .....	Retainer .....			
860	1	1		1812-1821-01	Öglebult .....	Eye bolt .....			
861	1	1		1812-0203-01	Hylsa .....	Grommet .....			
862	1	1		1812-1822-01	Hylsa .....	Eye bolt boot .....			
863	2	2		9743-3721-32	Mutter .....	Nut .....			
864	2	2		9699-0035-02	Planbricka .....	Flat washer .....			
865	2	2		1812-1172-01	Adapter .....	Boot adaptor .....			
867	1	1		9743-3721-32	Mutter .....	Nut .....			
868	1	1		1812-1679-01	Vagnsbult .....	Carriage bolt .....			
869	1	1		1812-1707-01	Inställningsvev .....	Chute crank .....			
870	1	1		1812-1760-01	Mutter .....	Nut .....			

X





Utgåva Issue		Bildnr Picture No		1074 POWER 1174 HST FJÄRREGLAGE		1074 POWER 1174 HST REMOTE CONTROL		Sida Page	
2004-14		1536						108	
Pos. Fig.	Antal/Quantity			Art nr Part No	Benämning	Description	Sats Kit	Anmärkning Notes	
	2841	2846							
965	1	1		1812-1364-01	Fjäder.....	Return spring.....			
967	1	1		1812-1393-01	Bult.....	Bolt.....			
968	1	1		1812-0730-01	Distans.....	Spacer.....			
969	1	1		1812-1758-01	Mutter.....	Nut.....			
970	1	1		9988-3619-16	Skruv.....	Screw.....			
971	1	1		1812-1683-01	Fäste.....	Bracket.....			
972	1	1		1812-0811-01	Låsmutter.....	Locking nut.....			
973	1	1		1812-1694-01	List.....	Trim.....			
974	1	1		9579-0003-00	Buntband.....	Cable holder.....			
975	1	1		1812-1814-01	Reglagewire.....	Chute control cable.....			
980	2	2		1812-1844-01	Skruv.....	Screw.....			
981	1	1		1812-1475-01	Wirehållare.....	Wire form.....			
994	1	1		9743-3721-32	Mutter.....	Nut.....			
995	1	1		1133-0650-01	Handtag.....	Handle.....			



Utgåva Issue 2004-14		Bildnr Picture No 1537A		1074 POWER 1174 HST UTKAST		1074 POWER 1174 HST DISCHARGE CHUTE		Sida Page 110	
Pos. Fig.	Antal/Quantity			Art nr Part No	Benämning	Description	Sats Kit	Anmärkning Notes	
	2841	2846							
580	1	1		1812-1467-01	Utkastskärm .....	Upper chute .....			
582	2	2		1133-1023-01	Skruv .....	Screw .....			
584	2	2		9743-3621-32	Mutter .....	Nut .....			
585	2	2		1812-1163-01	Plastbricka .....	Plastic washer .....			
586	2	2		1812-0667-01	Plastbricka .....	Plastic washer .....			
587	2	2		9743-3621-32	Mutter .....	Nut .....			
599	2	2		9899-3625-16	Skruv .....	Screw .....			
600	1	1		1812-1473-01	Utkaströr .....	Lower chute .....			
601	3	3		9899-3625-16	Skruv .....	Screw .....			
602	3	3		9699-0029-02	Planbricka .....	Flat washer .....			
603	3	3		9743-3621-32	Mutter .....	Nut .....			
604	1	1		1812-1569-01	Skyddstunga .....	Flap .....			
605	3	3		1812-1462-01	Popnit .....	Pop rivet .....			
606	1	1		1812-1983-01	Utkastplatta .....	Chute rotate collar .....			
607	4	4		1812-1831-01	Skruv .....	Screw .....			
609	4	4		1812-1760-01	Mutter .....	Nut .....			
610	1	1		1812-1366-01	Utkastring- inre .....	Chute rot. ring-inner .....			
611	1	1		1812-1787-01	Utkastring- yttre .....	Retainer ring-outer .....			

X