



## ***Reservdelskatalog Parts Catalogue***

# ***SNOW KING***

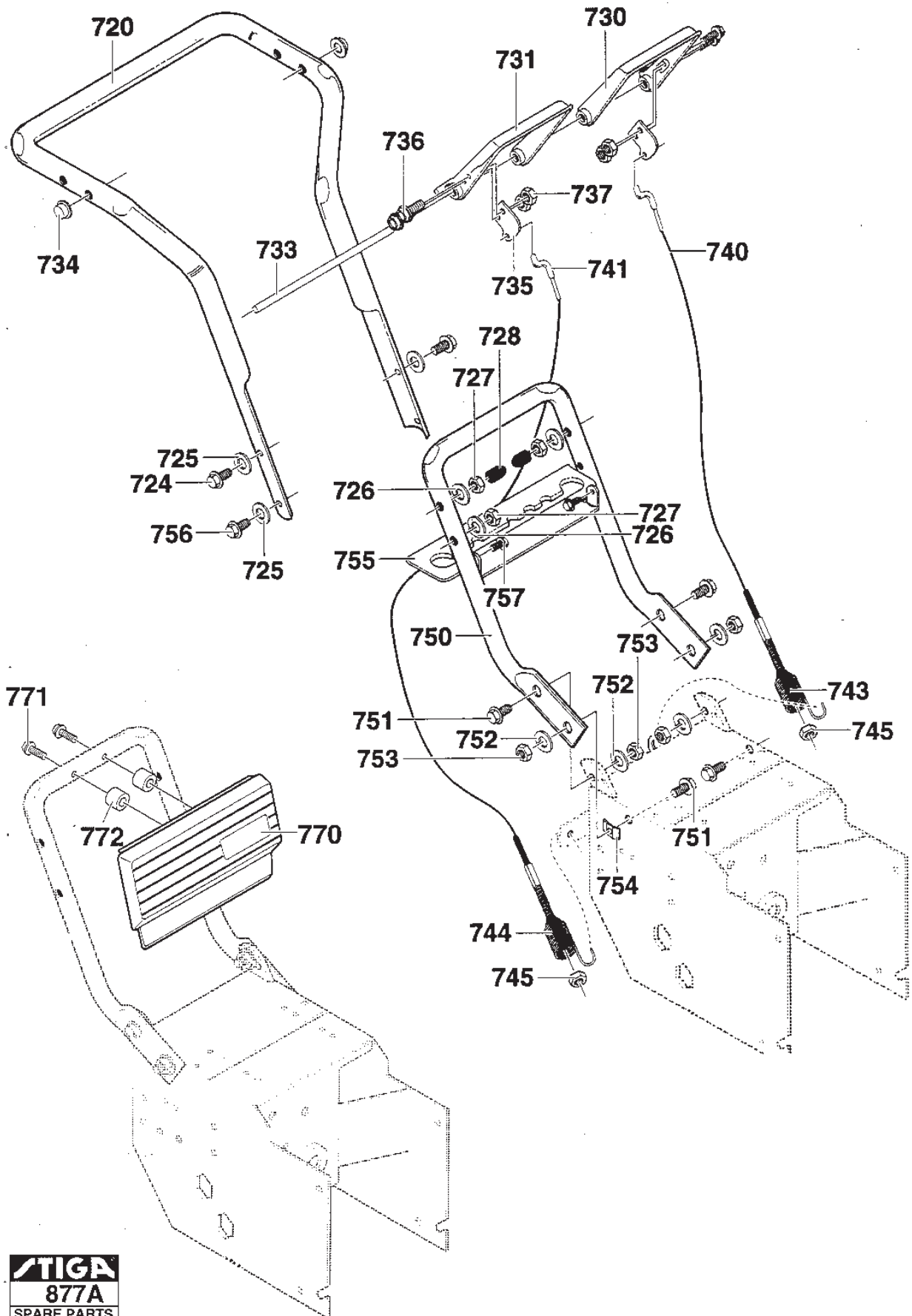
***18-2841-20 - Season 1999***

- Use GLOBAL GARDEN PRODUCT Genuine Spare Parts specified in the parts list for repair and/or replacement.
  - The contents described in the parts list may change due to improvement.
  - The drawings of the spare parts are only indicative and might not represent the part in question exactly.
  - The indications "right" - "left" - "front" - "rear" refer to the position of the operator when using the machine.
- When placing orders of parts for repair and/or replacement, make sure that the illustrated parts list is the one applying to the machine's year of manufacture, as shown on the identification plate attached to the machine.

© Copyright 2014 Global Garden Products

All rights reserved. No part of this material may be reproduced or transmitted, in any form or by any means, electronic or mechanical, including photocopying, recording or by any information storage and retrieval system, without permission in writing from GLOBAL GARDEN PRODUCTS.

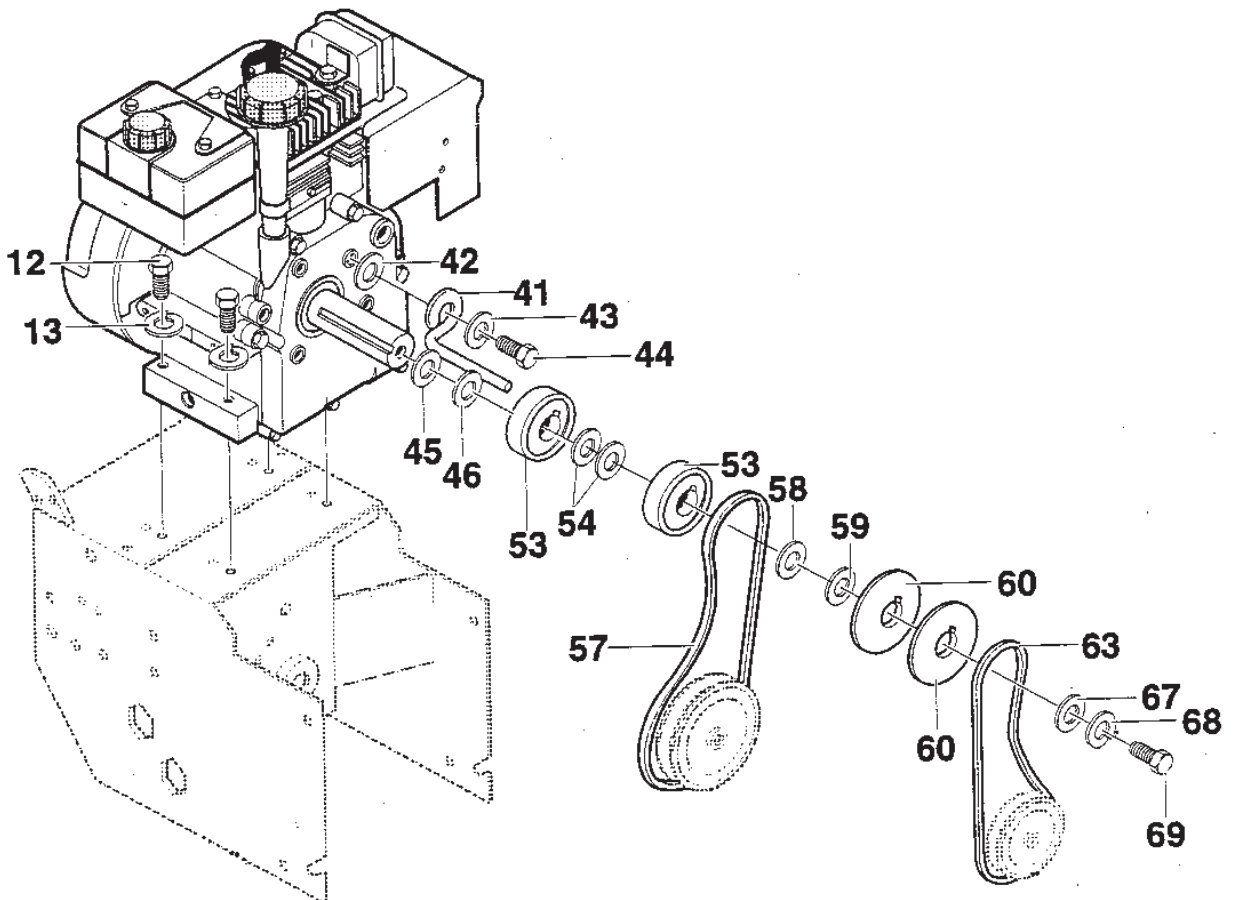
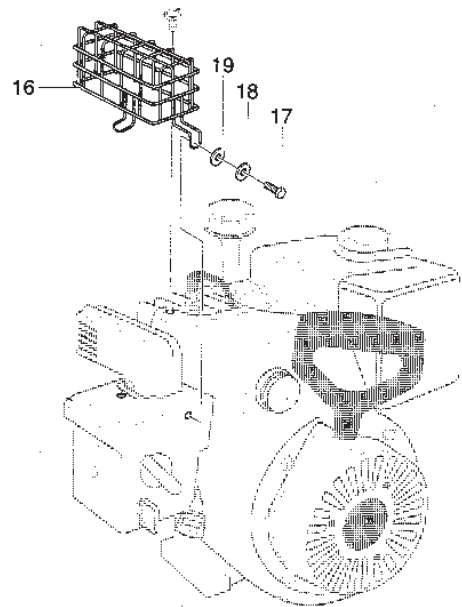
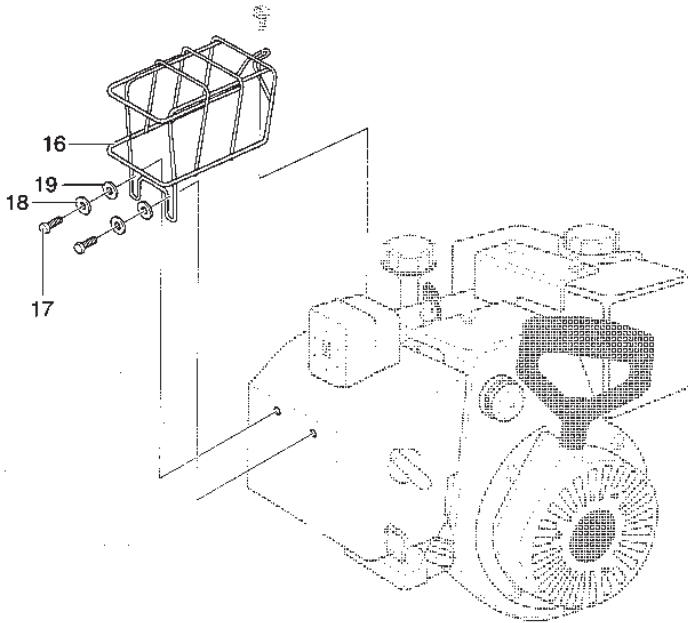
*[www.stiga.com](http://www.stiga.com)*



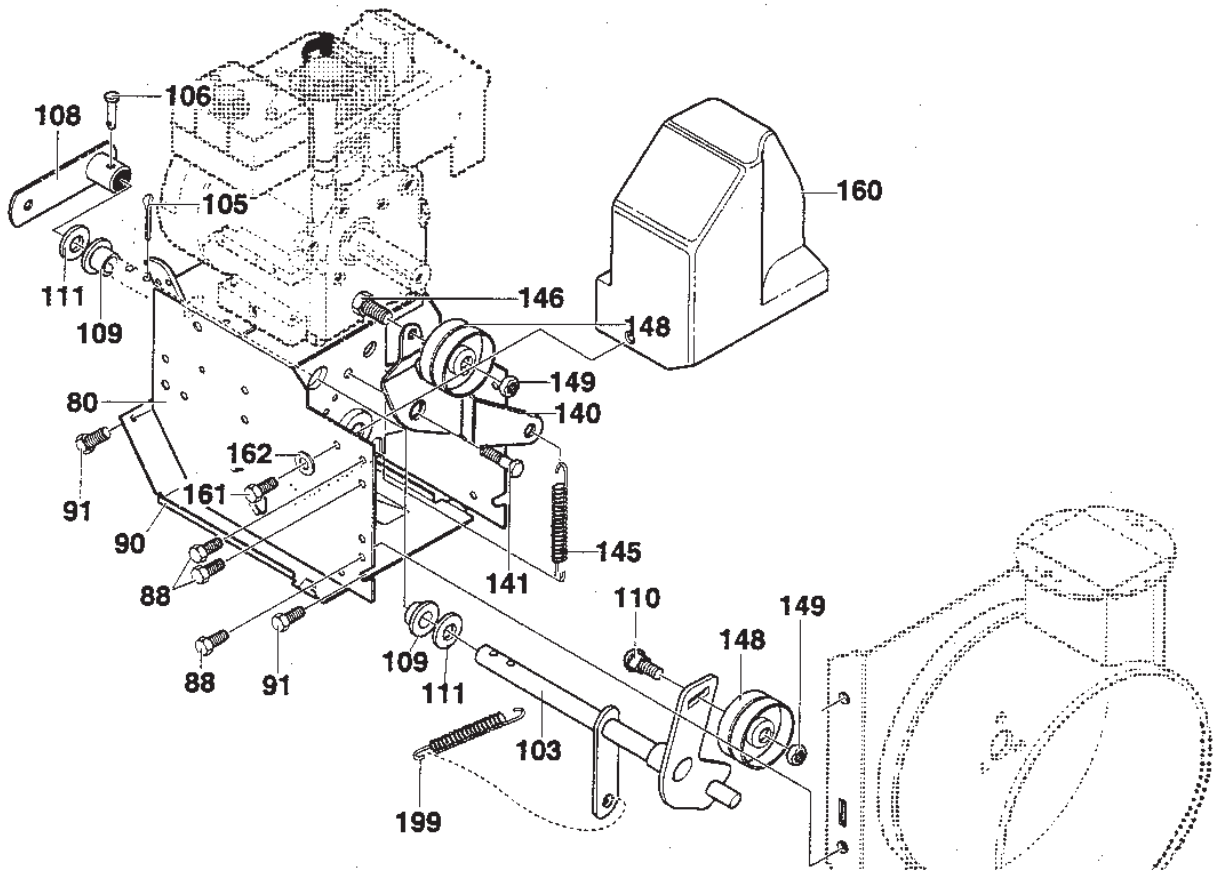
Utgåva Issue 48 - 2014		Styre	Handle		
Pos. Fig.	Antal Quantity	Art nr Part No	Benämning	Description	Anmärkning Notes
720	1	1812-1395-01	Styre-överdel	Handle-Upper	
724	2	9988-3670-12	Skruv	Screw	
725	4	9699-0029-02	Bricka	Washer	
726	4	9683-0030-02	Bricka	Washer	
727	4	9795-3631-02	Mutter	Nut	
728	2	1812-0941-01	Plastknopp	Plastic Stop	
730	1	1812-0932-01	Kopplingshandtag-vä	Clutch Handle, Left	
731	1	1812-0933-01	Kopplingshandtag-hö	Clutch Handle, Right	
733	1	1812-0934-01	Handtagsaxel	Clutch handle rod   Rod, Clutch Handle	
734	2	1812-0513-01	Lasning	Retainer	
735	2	1812-0946-01	Wirefäste	Cable pivot plate   Plate, Cable Pivot	
736	4	9988-3525-16	Skruv	Screw	
737	4	1812-0812-01	Mutter	Nut	
740	1	1812-0248-01	Reglagewire (725 Mm)	Wire (725 Mm)	
741	1	1812-1519-01	Reglagewire	Clutch Cable	
743	1	1812-1210-01	Fjäder	Spring	
744	1	1812-0254-01	Fjäder	Spring	
745	2	9743-3521-32	Mutter	Nut	
750	1	1812-1323-01	Däck-underdel   Styre-underdel	Handle-lower	
751	4	9988-3625-16	Skruv	Screw	
752	4	9683-0030-02	Bricka	Washer	
753	4	9795-3631-02	Mutter	Nut	
754	2	1812-1392-01	Snabbmutter	Nut	
755	1	1812-1398-01	Växelväljarplat	Gear Selector Bracket	
756	2	9988-3651-12	Skruv	Screw	
757	2	9843-8219-16	Skruv	Screw	
770	1	1812-1367-01	Panel	Control Panel	
771	2	1812-1412-01	Skruv	Screw	
772	2	1812-0531-01	Distans	Spacer	

Snow Buster - Snow King

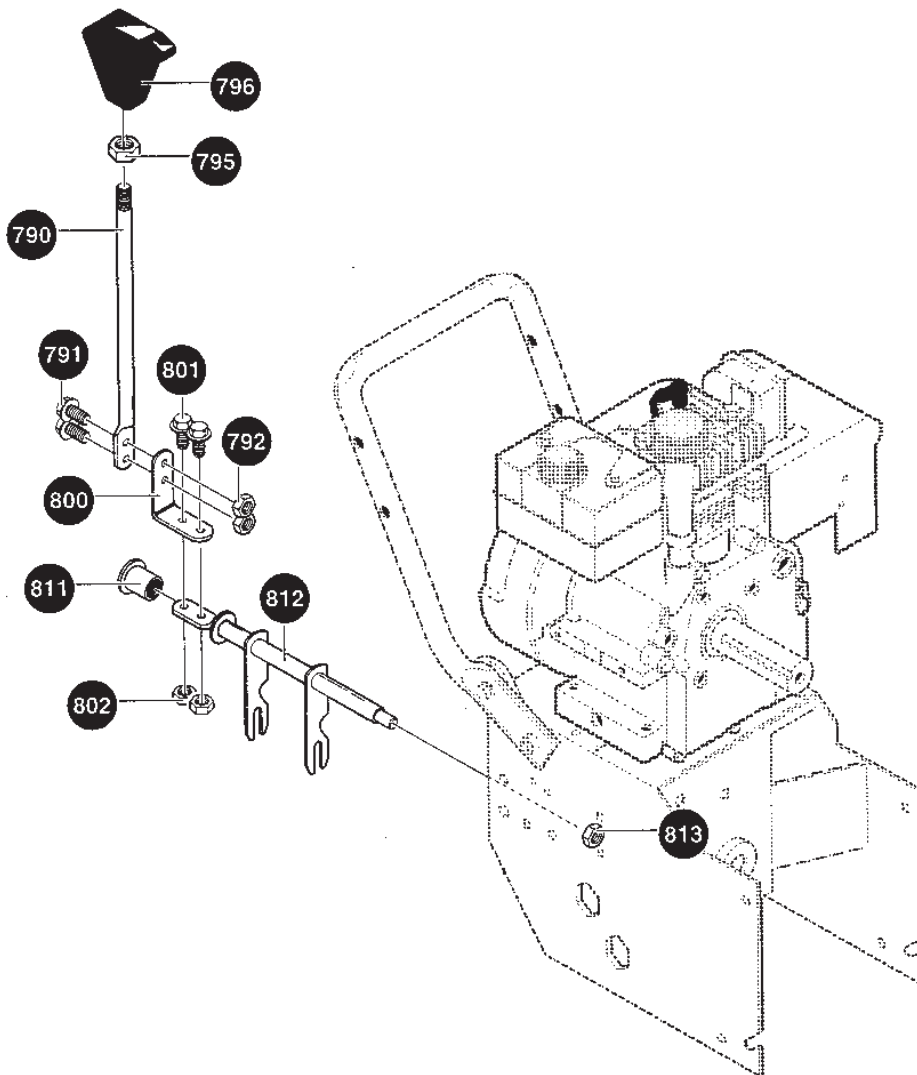
524



Utgåva Issue 48 - 2014		Motor Remtransmission	Engine Belt Transmission		
Pos. Fig.	Antal Quantity	Art nr Part No	Benämning	Description	Anmärkning Notes
12	4	9988-3638-12	Skruv	Screw	
13	4	9683-0030-02	Bricka	Washer	
16	1	1812-1385-01	Ljuddämparskydd	Muffler Guard	
17	2	1812-1386-01	Skruv	Screw	
18	2	1812-1388-01	Bricka	Washer	
19	2	1812-1387-01	Planbricka	Flat washer	
41	1	1812-0533-01	Remstyrning	Belt Guide	
42	1	1812-0667-01	Plastbricka	Washer	
43	1	9683-0030-02	Bricka	Washer	
44	1	9987-5125-16	Skruv	Screw	
45	1	1812-1566-01	Distans	Spacer	
53	2	1812-1201-01	Motorremskiva	Traction Pulley	
54	2	1812-1206-01	Distans	Spacer	
57	1	1812-9016-01	Kilrem	V-Belt	
58	1	1812-0407-01	Bricka	Washer	
59	1	1812-1350-01	Distans	Spacer	
60	2	1812-1351-01	Motorremskiva	Engine Pulley	
63	1	1812-9020-01	Drivrem	Belt	
67	1	1812-0283-01	Bricka	Washer	
68	1	9683-0035-02	Bricka	Washer	
69	1	1133-0762-01	Skruv	Screw	

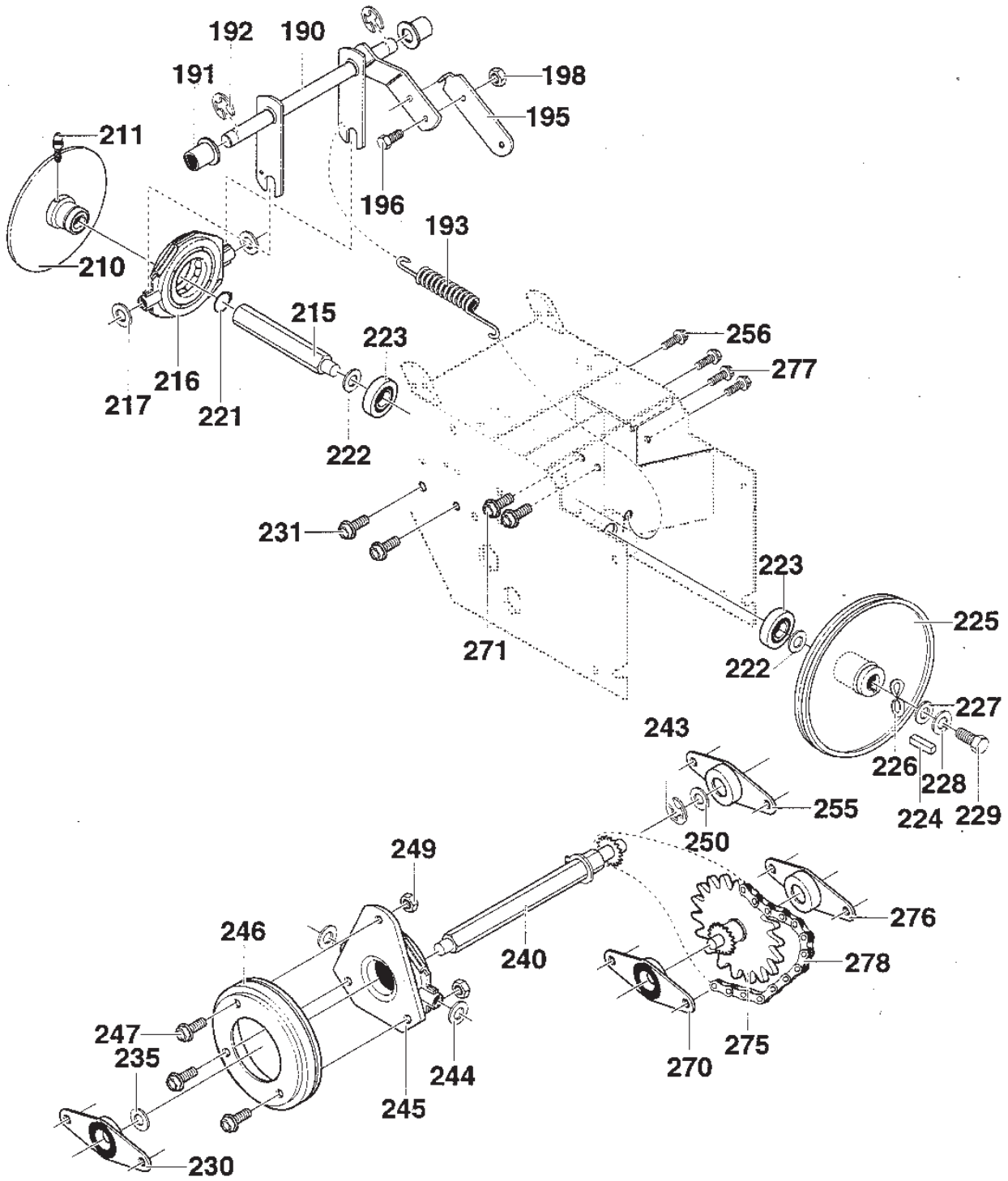


Utgåva Issue 48 - 2014		Chassi Spännrullar		Chassis Idler Pulleys	
Pos. Fig.	Antal Quantity	Art nr Part No	Benämning	Description	Anmärkning Notes
80	1	1812-1526-01	Chassi	Frame	
88	6	1812-0385-01	Skruv	Screw	
90	1	1812-1257-01	Bottenplat	Bottom Panel	
91	4	9988-3516-16	Skruv	Screw	
103	1	1812-1568-01	Spännarm	Engagement Arm	
105	1	1812-1511-01	Lasstift	Hair Pin	
106	1	1812-1533-01	Pinne	Klik Clip	
108	1	1812-1534-01	Arm	Lever	
109	2	1812-0328-01	Bussning	Bushing	
110	1	9899-3732-16	Skruv	Screw	
111	2	1812-1509-01	Planbricka	Flat washer	
140	1	1812-1524-01	Spännarm	Traction Lever	
141	1	1133-0887-01	Bult	Bolt	
145	1	1812-0329-01	Fjäder	Spring	
146	1	9988-3732-12	Skruv	Screw	
148	2	1812-0305-01	Spännrulle	Tension Roller	
149	2	9743-3721-32	Mutter	Nut	
160	1	1812-1513-01	Remskydd	Belt Cover	
161	2	9988-3516-16	Skruv	Screw	
162	2	9699-0028-02	Bricka	Washer	
199	1	1812-0329-01	Fjäder	Spring	

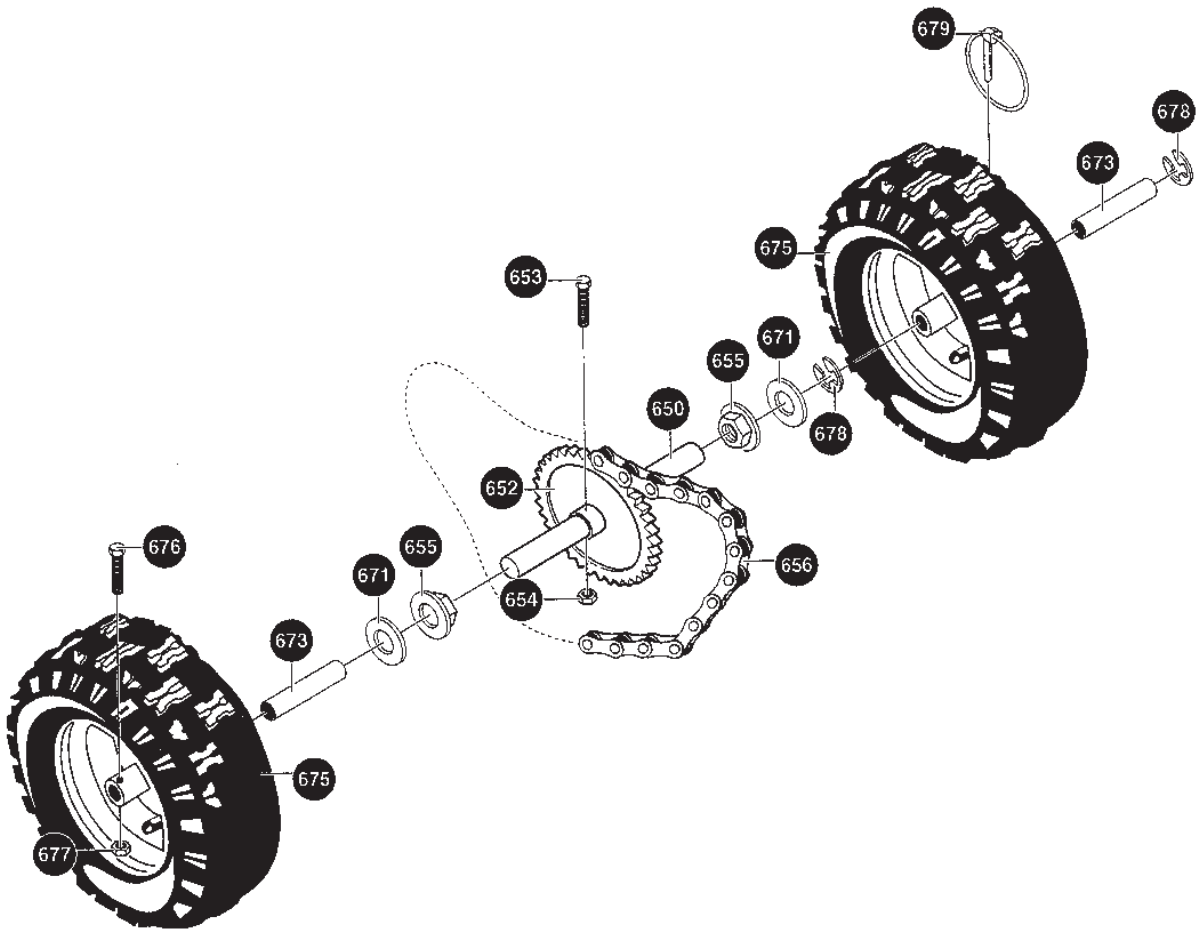




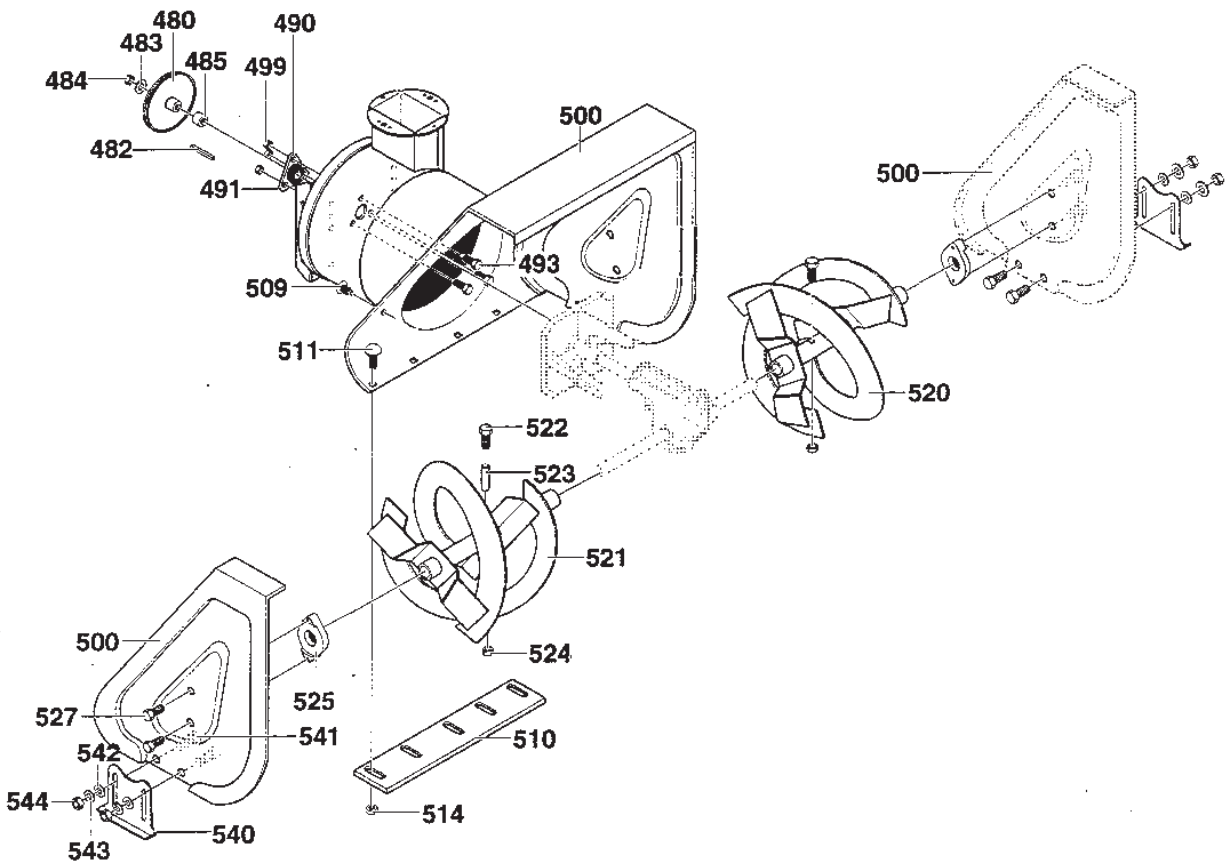
Utgåva Issue 48 - 2014		Växelspak Gear Shifter			
Pos. Fig.	Antal Quantity	Art nr Part No	Benämning	Description	Anmärkning Notes
790	1	1812-1420-01	Växelspak	Shift Rod	
791	2	9988-3519-16	Skruv	Screw	
792	2	1812-0812-01	Mutter	Nut	
795	1	9795-3931-00	Mutter	Nut	
796	1	1812-1308-01	Knopp	Shift Knob	
800	1	1812-1444-01	Spakfjäder   Fjäder	Lever spring   Spring	
801	2	9988-3519-16	Skruv	Screw	
812	1	1812-1421-01	Axel	Rod	
813	1	9743-3721-32	Mutter	Nut	
813	1	9795-3731-02	Mutter	Nut	



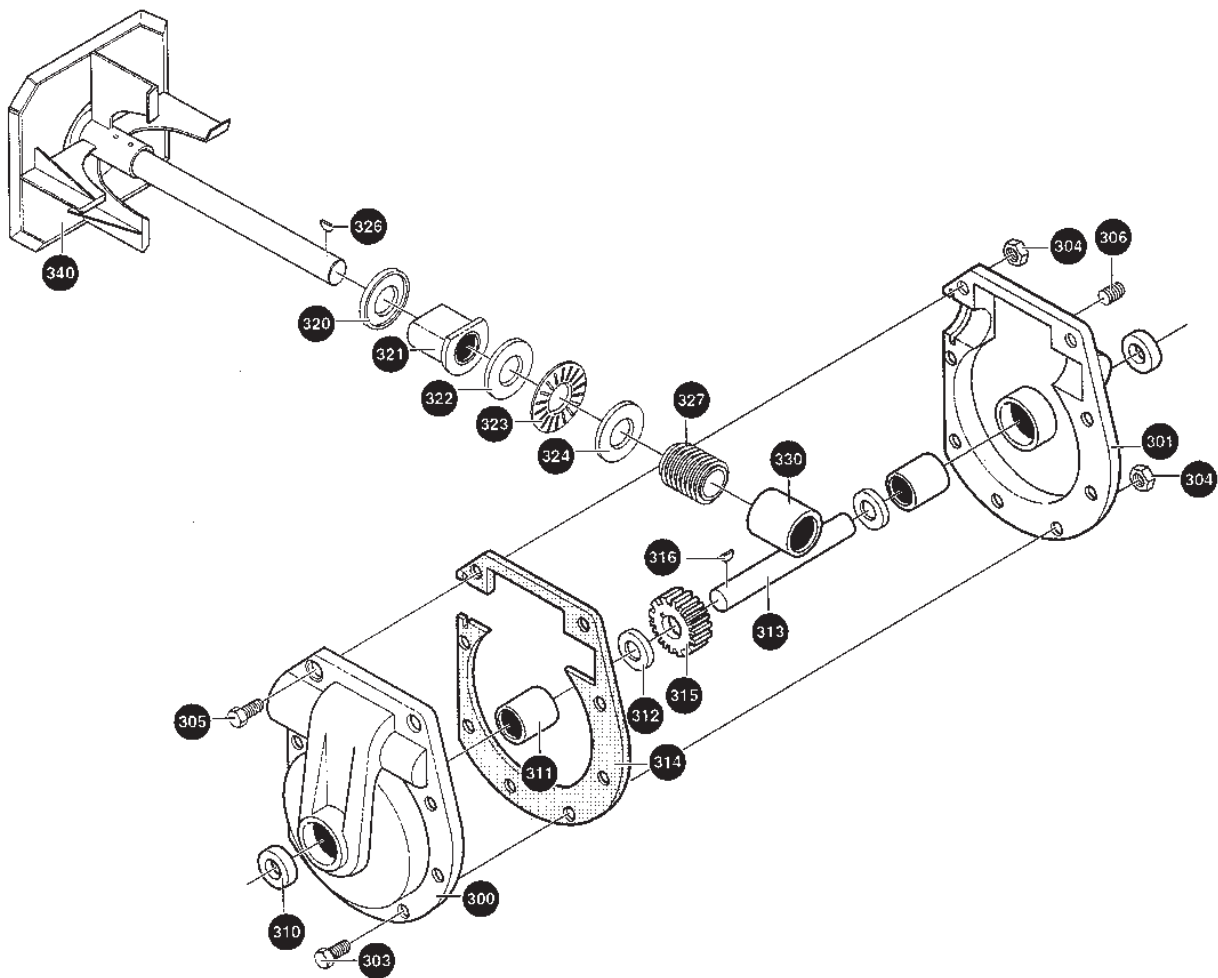
Utgåva Issue 48 - 2014		Drivning Drive Train			
Pos. Fig.	Antal Quantity	Art nr Part No	Benämning	Description	Anmärkning Notes
190	1	1812-1543-01	Arm	Traction Clutch Lever	
191	2	1812-0328-01	Bussning	Bushing	
192	2	1812-1480-01	Lasring	Retaining Ring	
193	1	1812-0364-01	Fjäder	Spring	
195	1	1812-1217-01	Fjäderarm	Traction Spring Lever	
196	1	9988-3516-16	Skruv	Screw	
198	1	1812-0812-01	Mutter	Nut	
210	1	1812-1269-01	Friktionshjul	Friction Disc	
211	1	1812-1425-01	Smörjnippel	Grease Zerk	
215	1	1812-1262-01	Axel	Traction Hex Shaft	
216	1	1812-0450-01	Bärlager	Bearing	
217	2	9699-0038-02	Bricka	Washer	
221	1	1812-0402-01	Lasring	Retaining Ring	
222	2	1812-1238-01	Bricka	Washer	
223	2	1812-1383-01	Kullager	Ball Bearing	
224	1	1812-1239-01	Kil	Square Key	
225	1	1812-1236-01	Remskiva	Traction Pulley	
226	1	1812-1237-01	Bricka	Wave Washer	
227	1	9699-0056-02	Bricka	Washer	
228	1	9683-0025-02	Bricka	Washer	
229	1	9988-3519-16	Skruv	Screw	
230	1	1812-1178-01	Glidlager m.hallare	Bearing & Retainer	
231	2	1812-0385-01	Skruv	Screw	
235	1	1812-1204-01	Bricka	Washer	
240	1	1812-1215-01	Sexkantsaxel	Hex Shaft	From 01-septem-ber-2001
243	1	1812-1164-01	Lasring	Retainer Ring	
244	2	9699-0038-02	Bricka	Washer	
245	1	1812-1313-01	Lager	Trunion Bearing	
246	1	1812-9002-01	Friktionshjul	Friction Disc	
247	3	9988-3516-16	Skruv	Screw	
249	3	9795-3531-02	Mutter	Nut	
250	1	1812-1204-01	Bricka	Washer	
255	1	1812-1178-01	Glidlager m.hallare	Bearing & Retainer	
256	2	1812-0385-01	Skruv	Screw	
270	1	1812-1178-01	Glidlager m.hallare	Bearing & Retainer	
271	2	1812-0385-01	Skruv	Screw	
275	1	1812-1539-01	Axel M.Kedjedrev (Ø12,7 Mm)	Jack Shaft (Ø=12,7 Mm)	36T & 7T
276	1	1812-1178-01	Glidlager m.hallare	Bearing & Retainer	
277	2	1812-0385-01	Skruv	Screw	
278	1	1812-1209-01	Kedja	Chain Roller	



Utgåva Issue 48 - 2014		Hjul Wheels			
Pos. Fig.	Antal Quantity	Art nr Part No	Benämning	Description	Anmärkning Notes
650	1	1812-1424-01	Hjulaxel	Wheel Shaft	
652	1	1812-1253-01	Kedjedrev-37T	Sprocket	
654	1	1812-0812-01	Mutter	Nut	
654	1	9743-3521-32	Mutter	Nut	
656	1	1812-1255-01	Kedja	Chain	
675	2	1812-1266-01	Hjul kpl-hö	Wheel	4.80 x 4.00 - 8
677	1	1812-0812-01	Mutter	Nut	
677	1	9743-3521-32	Mutter	Nut	

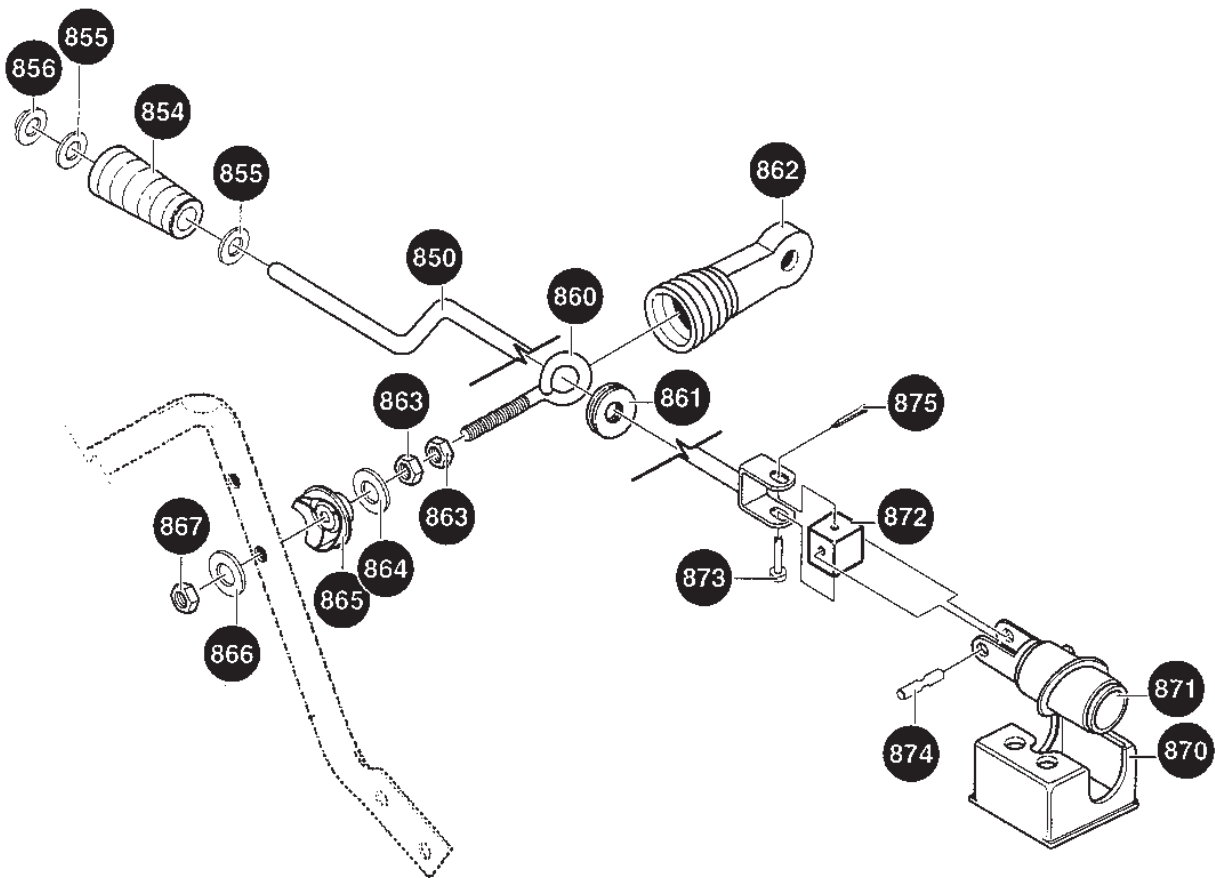


Utgåva Issue 48 - 2014		Snöskruv Auger			
Pos. Fig.	Antal Quantity	Art nr Part No	Benämning	Description	Anmärkning Notes
480	1	1812-1261-01	Remskiva	Auger Pulley	
482	1	1812-1167-01	Kil	Key	
483	1	9699-0038-02	Bricka	Washer	
484	1	9743-5421-32	Mutter	Nut	
485	1	1812-1397-01	Distans	Spacer	
490	1	1812-1250-01	Lagerhallare	Retainer Bearing	
491	1	1812-1383-01	Kullager	Ball Bearing	
493	3	9988-3619-16	Skruv	Screw	
499	3	9795-3631-02	Mutter	Nut	
500	1	1812-1531-01	Snöskruvhus	Housing	
509	2	1812-1430-01	Plugg	Plug	
510	1	1812-1449-01	Skrapskär	Scraper Blade	
511	5	9899-3622-16	Skruv	Screw	
514	5	9795-3631-02	Mutter	Nut	
520	1	1812-1562-01	Snöskruv-vä	Auger-L.H.   Auger-Lh	
521	1	1812-1563-01	Snöskruv-hö	Auger-R.H.   Auger-Rh	
522	1	1812-9005-01	Brytbultsats	Shear Bolt Kit	
523	3	1812-0531-01	Distans	Spacer	
524	3	1812-0812-01	Mutter	Nut	
525	2	1812-0347-01	Lager	Bearing	
527	4	1133-0057-01	Skruv	Screw	
540	2	1812-1391-01	Släpsko	Height Adjust Skid	
541	4	9899-3622-16	Skruv	Screw	
542	4	9699-0029-02	Bricka	Washer	
543	4	9683-0030-02	Bricka	Washer	
544	4	9795-3631-02	Mutter	Nut	

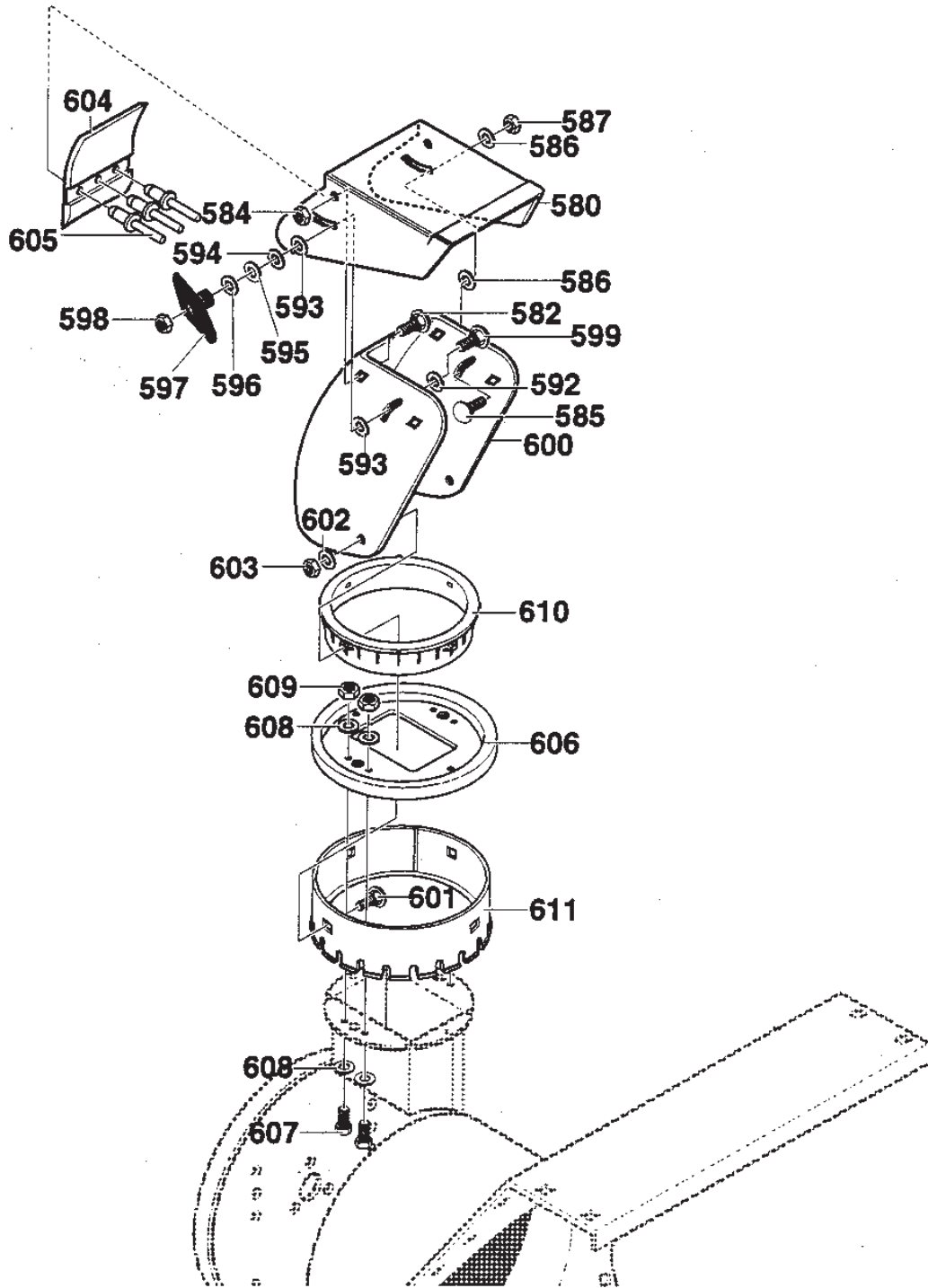




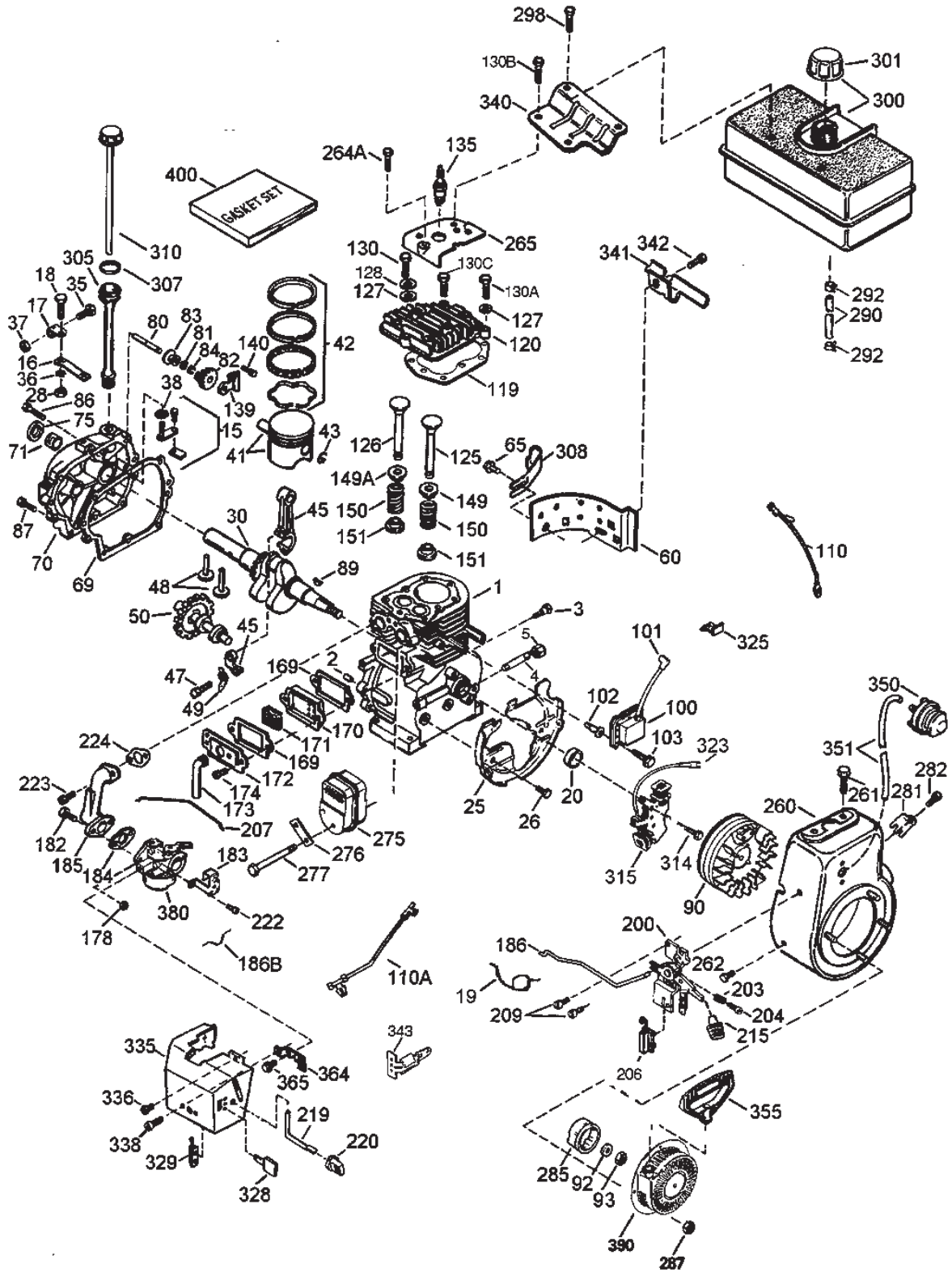
Utgåva Issue 48 - 2014		Snäckväxel		Gear Case	
Pos. Fig.	Antal Quantity	Art nr Part No	Benämning	Description	Anmärkning Notes
300	1	1812-0228-01	Snäckväxelhus-hö	Gear case-RH   Gear Housing, Right	
301	1	1812-0227-01	Snäckväxelhus-vä	Gear case-LH   Gear Housing, Left	
303	7	9987-5125-16	Skruv	Screw	
304	8	9743-5121-02	Mutter	Nut	
305	1	9987-5145-12	Skruv	Screw	
306	1	1812-0346-01	OljePlugg	Oil Plug	
310	2	1812-0344-01	Tätningring	Ring	
311	2	1812-0343-01	Lager	Bearing	
312	2	1812-0345-01	Bricka	Washer	
313	1	1812-1442-01	Snöskruvaxel	Auger Shaft	
314	1	1812-0226-01	Packning	Gasket	
315	1	1812-0335-01	Drev	Worm Gear	
316	1	1812-0409-01	Woodruffkil	Woodruff Key	
320	1	1812-0341-01	Tätningring	Ring	
321	1	1812-1259-01	Flänslager	Bearing Impeller Shaft	
322	1	1812-0857-01	Bricka	Thrust Washer	
323	1	1812-0285-01	Nallager	Needle Bearing	
324	1	1812-0857-01	Bricka	Thrust Washer	
326	1	1812-0307-01	Kil	Key	
327	1	1812-0336-01	Snäckdrev	Gear	
330	1	1812-0297-01	Lager	Bearing	
340	1	1812-1523-01	Fläkt M.Axel	Impeller W.Shaft	



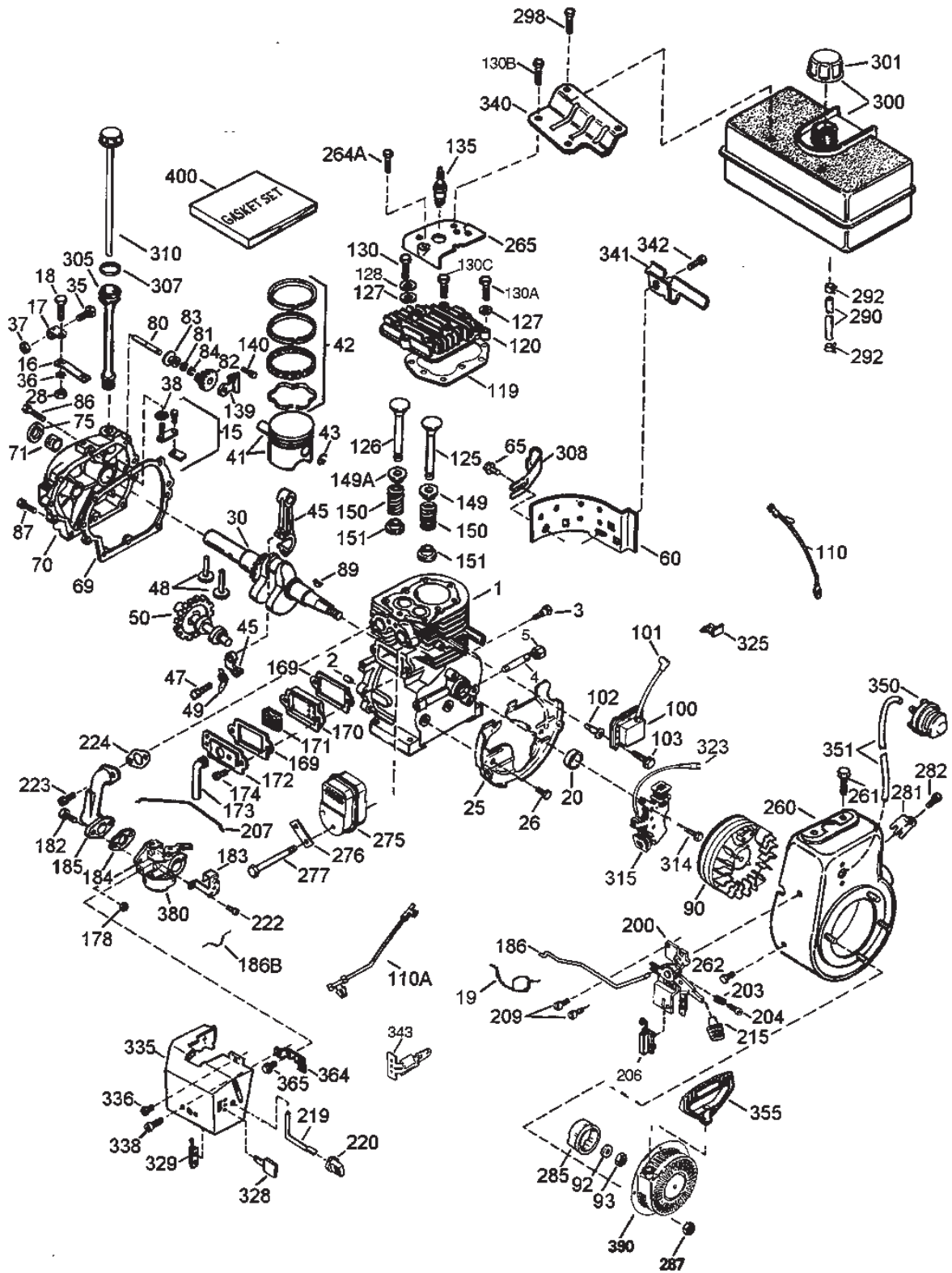
Utgåva Issue 48 - 2014		Inställningsvev Chute Crank			
Pos. Fig.	Antal Quantity	Art nr Part No	Benämning	Description	Anmärkning Notes
850	1	1812-1339-01	Inställningsvev	Crank	
854	1	1812-0318-01	Handtag	Handle	
855	1	1812-1171-01	Bricka	Washer	
856	1	1812-1183-01	Lasning	Cap Retainer	
860	1	1812-0394-01	Öglebult	Eyebolt	
861	1	1812-0203-01	Bussning	Bushing	
862	1	1812-1170-01	Hylsa-öglebult	Boot Eye Bolt   Boot-eye bolt	
863	2	9743-3721-32	Mutter	Nut	
864	1	9699-0035-02	Bricka	Washer	
865	1	1812-1172-01	Adapter	Adaptor Boot   Boot adaptor	
866	1	9699-0035-02	Bricka	Washer	
867	1	9743-3721-32	Mutter	Nut	
870	1	1812-1334-01	Fäste-Snäckskruv	Chute Worm Bracket	
871	1	1812-1335-01	Snäckskruv	Chute Rotate Worm	
872	1	1812-1317-01	LedkMutter	Universal Housing	
873	1	1812-1318-01	Sprint	Clevis Pin	
874	1	1812-1316-01	Axel	Universal Pin	
875	1	9599-0033-00	Saxsprint	Split Pin	



Utgåva Issue 48 - 2014		Utkast		Chute	
Pos. Fig.	Antal Quantity	Art nr Part No	Benämning	Description	Anmärkning Notes
580	1	1812-1464-01	Utkastskärm	Upper Chute	
582	2	1133-1023-01	Skruv	Screw	
584	2	9743-3621-32	Mutter	Nut	
585	1	1133-1023-01	Skruv	Screw	
586	2	1812-0667-01	Plastbricka	Washer	
587	1	9743-3621-32	Mutter	Nut	
592	1	1812-1163-01	Plastbricka	Washer	
593	2	1812-0667-01	Plastbricka	Washer	
594	1	9699-0029-02	Bricka	Washer	
595	1	9683-0030-02	Bricka	Washer	
596	1	9699-0029-02	Bricka	Washer	
597	1	1133-0932-01	Lasratt	Wing Knob	
598	1	9795-3631-02	Mutter	Nut	
599	1	9899-3625-16	Skruv	Screw	
600	1	1812-1472-01	Utkaströr	Lower Chute	
601	3	9899-3625-16	Skruv	Screw	
602	3	9699-0029-02	Bricka	Washer	
603	3	9743-3621-32	Mutter	Nut	
604	1	1812-1569-01	Skyddstunga	Chute Flap   Flap	
605	3	1812-1462-01	Popnit	Pop Rivet	
606	1	1812-1336-01	Utkastplatta	Chute Rotate Collar	
607	4	9988-3519-16	Skruv	Screw	
608	8	9699-0028-02	Bricka	Washer	
609	4	9743-3521-32	Mutter	Nut	
610	1	1812-1366-01	Utkastring-inre	Chute rot. ring-inner	
611	1	1812-1332-01	Utkastring-Yttre	Chute Rotate Ring-Outer	



Utgåva Issue 48 - 2014		Tecumseh Hm80 Hm100		Tecumseh Hm80 Hm100	
Pos. Fig.	Antal Quantity	Art nr Part No	Benämning	Description	Anmärkning Notes
1	1	35371	Cylinder kpl	Cylinder Assy	Inkl. pos 2, 20
1	1	35385	Cylinder kpl	Cylinder Assy	Inkl. pos 2, 20
2	2	27652	Styrpinne	Dowel pin	
3	2	650820	Shoulder bolt	Shoulder bolt	
4	1	31857	Avtappningsrör	Oil pipe	
5	1	30969	Cap	Cap	
15	1	30699C	Governor rod	Governor rod	
16	1	33454	Governor lever	Governor lever	
16	1	33454A	Governor lever	Governor lever	
17	1	29916	Clamp	Clamp	
18	1	651028	Skruv	Screw	
19	1	34663	Fjäder	Spring	
20	1	35319	Oil seal	Oil seal	
25	1	37706	Baffle	Baffle	Inkl. pos 325
25	1	36460	Baffle	Baffle	
25	1	37707A	Baffle	Baffle	
26	2	650561	Skruv	Screw	
28	1	30322	Mutter	Nut	
30	1	37231	Crankshaft	Crankshaft	
35	1	29826	Skruv	Screw	
36	1	29918	Bricka	Washer	
37	1	29216	Mutter	Nut	
38	1	29642	Retaining ring	Retaining ring	
41	1	35773A	Kolvsprint	Piston Pin	Inkl. pos 43
41	1	40009	Kolvsprint	Piston Pin	Inkl. pos 43
42	1	35779	Ring set	Ring set	
42	1	40013	Ring set	Ring set	
43	2	27888	Retaining ring	Retaining ring	
43	2	35772	Retaining ring	Retaining ring	
45	1	36897	Connecting Rod	Connecting Rod	Inkl. pos 47, 49
45	1	36898	Connecting Rod	Connecting Rod	Inkl. pos 47, 49
47	2	651033	Bult	Bolt	
48	2	34034	Valve lifter	Valve lifter	
49	1	36896	Oil dipper	Oil dipper	
50	1	35375	Kamaxel	Camshaft	
60	1	33273A	Extension	Extension	
65	1	650128	Skruv	Screw	
69	1	35262A	Packning	Gasket	
69	1	37342	Packning	Gasket	
70	1	35376A	Cover	Cover	Inkl. pos 71,75,80-84
70	1	35376	Cover	Cover	Inkl. pos 71, 75, 80
71	1	35377	Bearing	Bearing	
75	1	35319	Oil seal	Oil seal	
80	1	31845	Use MAS-031845   Governor shaft	Use MAS-031845   Governor shaft	
80	1	37587	Governor shaft	Governor shaft	
81	1	30590A	Bricka	Flat washer	
81	1	651080	Bricka	Washer	
82	1	35378	Gear	Gear	Inkl. pos 81
82	1	37588	Gear	Gear	Inkl. pos 81

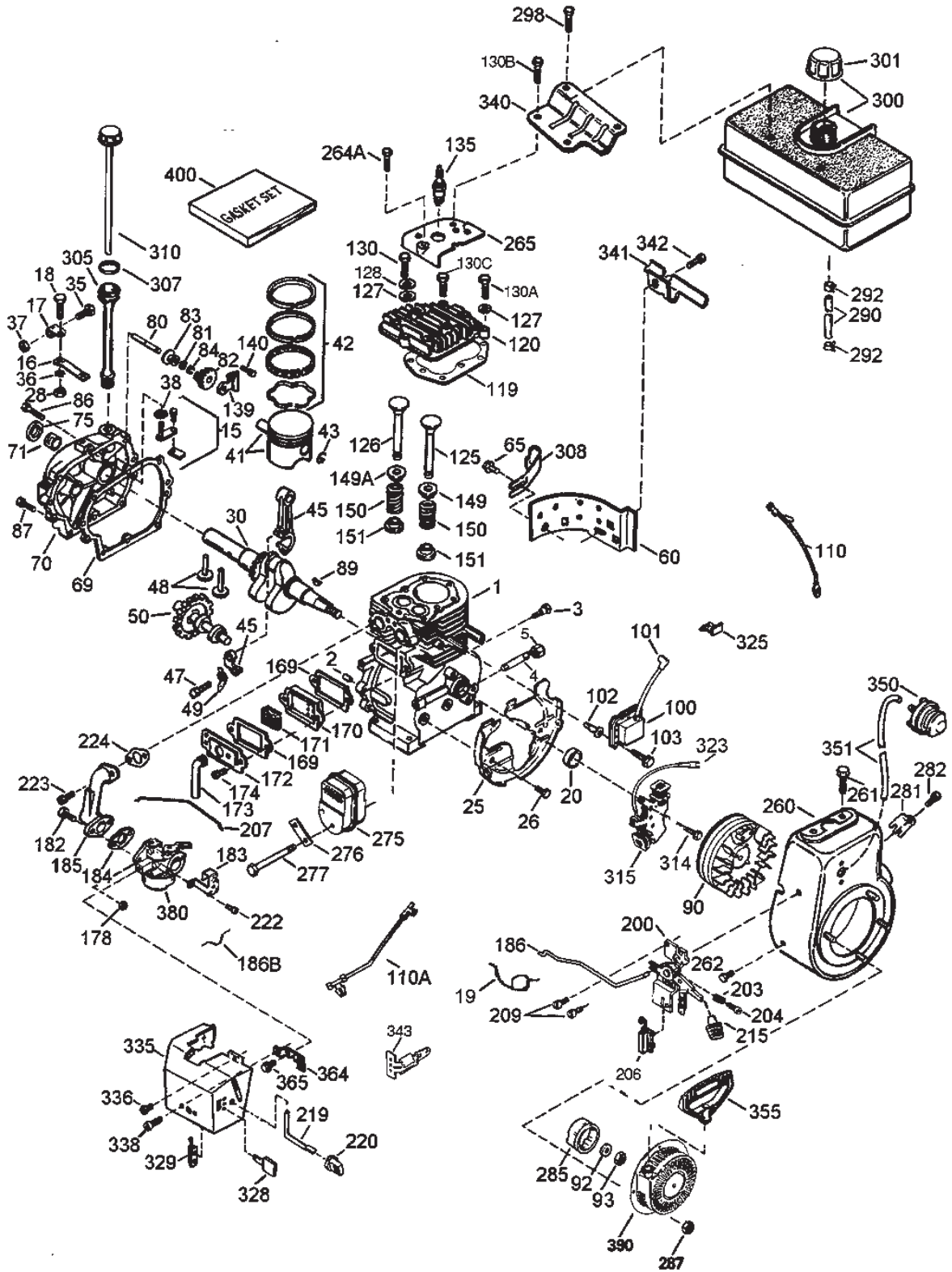




Utgåva Issue 48 - 2014		Tecumseh Hm80 Hm100		Tecumseh Hm80 Hm100	
Pos. Fig.	Antal Quantity	Art nr Part No	Benämning	Description	Anmärkning Notes
83	1	30588A	Spool	Spool	
84	1	29193	Retaining ring	Retaining ring	
86	7	650833	Skruv	Screw	
87	1	650832	Skruv	Screw	
89	1	32589	Kil	Key	
90	1	611093	Flywheel	Flywheel	
92	1	650880	Bricka	Washer	
93	1	650881	Mutter	Nut	
100	1	35135	Solid state ignition	Solid state ignition	Inkl. pos 101
100	1	35135A	Solid state ignition	Solid state ignition	Inkl. pos 101
101	1	610118	Spark plug cover	Spark plug cover	
102	2	651024	Stud	Stud	
103	2	651007	Skruv	Screw	
110	1	35187	Ground wire	Ground wire	
110	1	37047	Ground wire	Ground wire	
119	1	36448	Toppackning	Head gasket	
119	1	36451	Toppackning	Head gasket	
120	1	36449	Topplock	Cylinder Head	
125	1	27878A	Exhaust valve	Exhaust valve	Inkl. pos 151
126	1	34035	Insugningsventil	Intake valve	Inkl. pos 151
127	2	650691	Bricka	Washer	
127	5	650691	Bricka	Washer	
128	3	650690	Bricka	Washer	
130	2	650727	Skruv	Screw	
130	2	651055	Skruv	Screw	
130	3	650694A	Skruv	Screw	
130	4	6021A	Skruv	Screw	
135	1	9400-0225-00	Tändstift (J19Lm)	Spark Plug (J19Lm)	Champion J19LM
139	1	33369	Fäste	Bracket	
140	2	650836	Skruv	Screw	
149	1	35862	Valve spring cap	Valve spring cap	
149	1	27882	Valve spring cap	Valve spring cap	
150	2	27881	Valve spring	Valve spring	
151	2	32581	Valve cap	Valve cap	
169	2	27896A	Packning	Gasket	
170	1	28423	Breather body	Breather body	
171	1	28424	Breather element	Breather element	
172	1	28425	Cover	Cover	
173	1	35350	Rör	Tube	
174	2	650128	Skruv	Screw	
178	2	29752	Mutter	Nut	
182	2	30088A	Skruv	Screw	
183	1	34587A	Fäste	Bracket	
184	1	33263	Packning	Gasket	
185	1	33877	Intake pipe	Intake pipe	
186	1	36652	Choke spring	Choke spring	
186	1	34667	Governor link	Governor link	
200	1	34677	Speed control assy	Speed control assy	Inkl. 19, 203-206
203	1	31342	Fjäder	Spring	

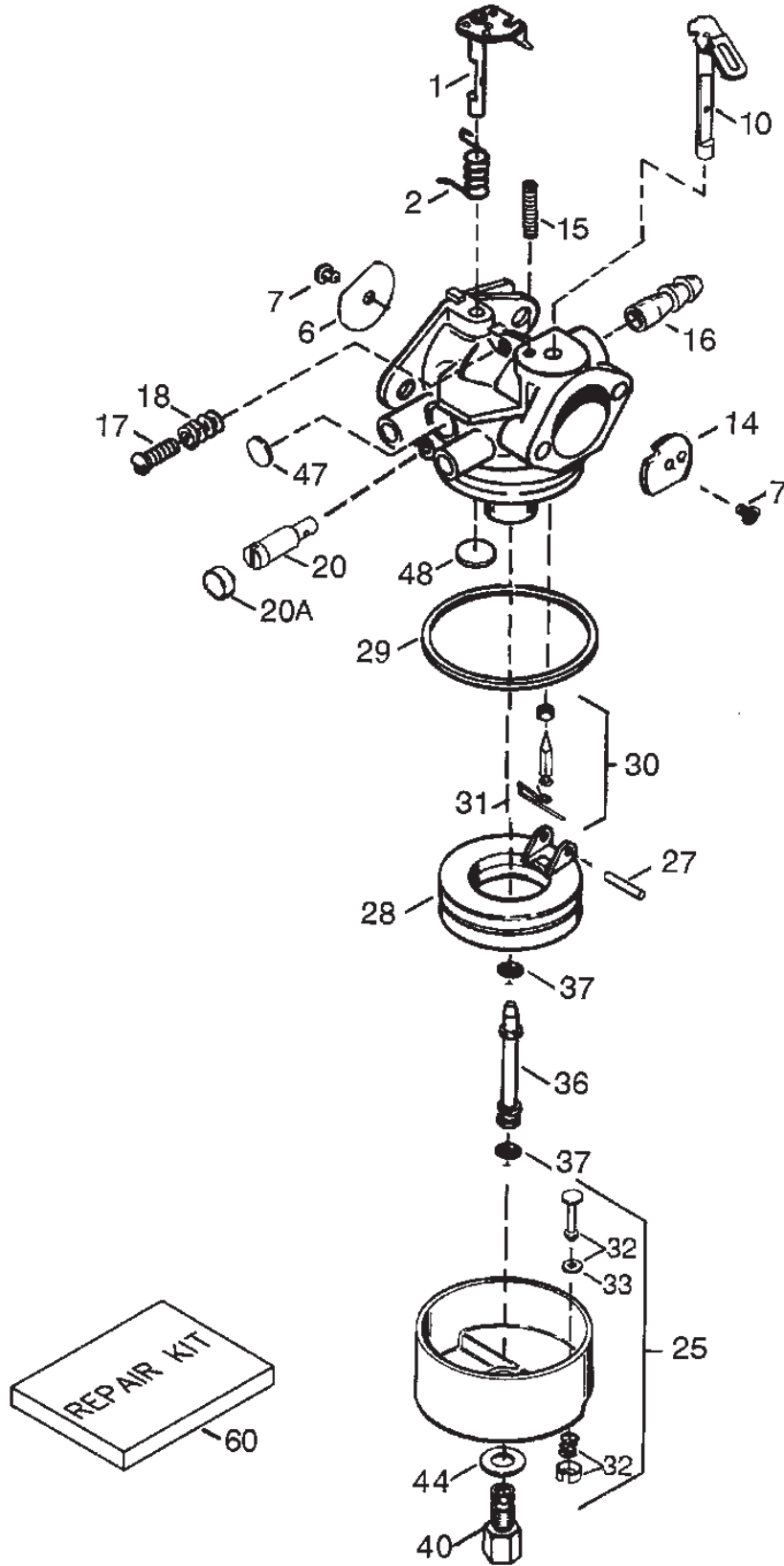


Utgåva Issue 48 - 2014		Tecumseh Hm80 Hm100		Tecumseh Hm80 Hm100	
Pos. Fig.	Antal Quantity	Art nr Part No	Benämning	Description	Anmärkning Notes
204	1	651029	Skruv	Screw	
206	1	610973	Terminal	Terminal	
207	1	33878	Gasreglagelänk	Throttle Rod	
209	2	650821	Skruv	Screw	
215	1	35440	Knopp	Knob	
219	1	34586	Choke rod	Choke rod	
220	1	35438	Reglageknopp	Knob	
222	2	28820	Skruv	Screw	
223	2	650378	Skruv	Screw	
224	1	27915A	Packning	Gasket	
260	1	35447A	Blower housing	Blower housing	
261	2	650788	Skruv	Screw	
262	2	29747B	Skruv	Screw	
262	2	651084	Skruv	Screw	
264	1	650802	Skruv	Screw	
265	1	33272B	Cover	Cover	
265	1	33272D	Cover	Cover	
275	1	35056	Ljuddämpare	Muffler	
276	1	31588	Lasbleck	Locking plate	
277	2	651002	Skruv	Screw	
281	1	33013	Cover	Cover	
282	1	650760	Skruv	Screw	
285	1	35985B	Starter hub	Starter hub	
287	4	29752	Mutter	Nut	
290	1	30705	Fuel line	Fuel line	
290	1	30962	Fuel line	Fuel line	
292	2	26460	Clamp	Clamp	
298	2	650665	Skruv	Screw	
300	1	34156A	Fuel tank assy	Fuel tank assy	Inkl. pos 292, 301
300	1	34186A	Fuel tank	Fuel tank	Inkl. pos 292, 301
301	1	35355	Tank cap	Tank cap	
305	1	35554	Oljepafyllningsrör	Oil fill tube	
307	1	35499	O-ring	O-ring	
308	1	35540	Clip	Clip	
310	1	36205	Oil dipstick	Oil dipstick	
314	1	650873	Skruv	Screw	
315	1	611111	Generator	Alternator coil	Inkl. pos 323
323	1	611118	Connector body	Connector body	
325	1	29443	Wire clip	Wire clip	
328	2	35062	Tändningsnyckel	Ignition Key	
329	1	610973	Terminal	Terminal	
335	1	35057A	Cover	Cover	
335	1	36547	Cover	Cover	
336	1	650765	Skruv	Screw	
338	2	28942	Skruv	Screw	
340	1	34154	Tank plate	Tank plate	
341	1	34155	Tank bracket	Tank bracket	
342	1	650561	Skruv	Screw	
343	1	35079	Fäste	Key switch bracket	



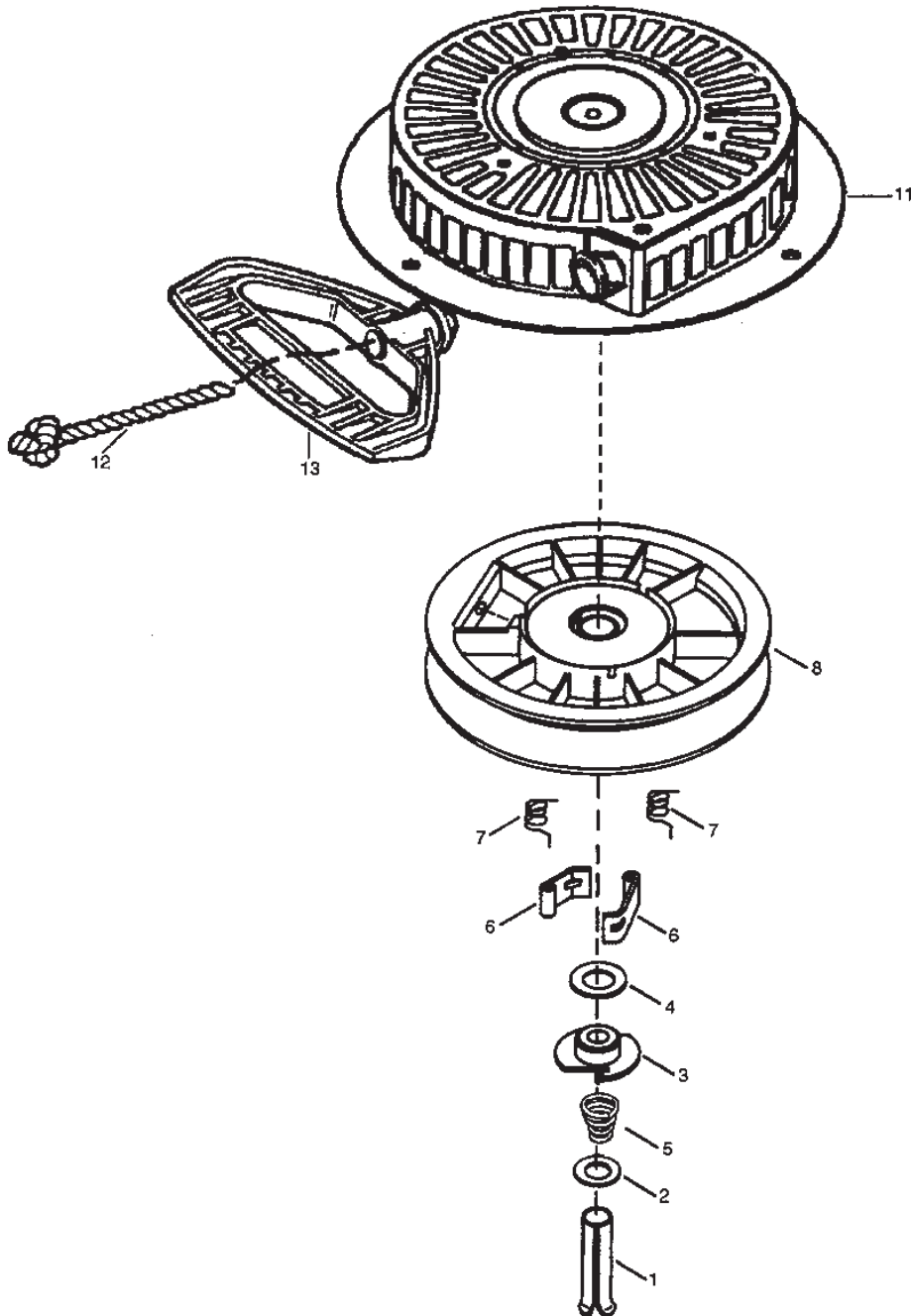
Utgåva Issue 48 - 2014		Tecumseh Hm80 Hm100		Tecumseh Hm80 Hm100	
Pos. Fig.	Antal Quantity	Art nr Part No	Benämning	Description	Anmärkning Notes
343	1	35079A	Fäste	Key switch bracket	
350	1	570682A	Primer	Primer assy	
351	1	32180C	Primerslang	Primer line	
355	1	590574	Styrplat kpl	Starter handle	
364	1	33377	Fäste	Bracket	
364	1	37659	Fäste	Bracket	
365	2	650767	Skruv	Screw	
380	1	640052	Förgasare kpl	Carburettor Assy	Inkl. pos 184
380	1	640054	Förgasare kpl	Carburettor Assy	Inkl. pos 184
390	1	590733	Starter assy	Starter assy	Optional
390	1	590749	Starter assy	Starter assy	Alt. 1
400	1	36450A	Packningssats	Gasket set	
400	1	36450C	Packningssats	Gasket set	
400	1	36452A	Packningssats	Gasket set	
400	1	36452B	Packningssats	Gasket set	

640052  
640054



Utgåva Issue 48 - 2014		Tecumseh Hm80-Hm100 Förgasare		Tecumseh Hm80-Hm100 Carburettor	
Pos. Fig.	Antal Quantity	Art nr Part No	Benämning	Description	Anmärkning Notes
1	1	631776A	Spjällsaxeln	Throttle Shaft	640052
2	1	631970	Fjäder	Spring	640052
6	1	631778	Gasspjäll	Throttle Shutter	640052
7	2	650506	Skruv	Screw	640052 _/ Kit: F
10	1	632112	Choke shaft	Choke shaft	640052
14	1	632174	Choke shutter	Choke shutter	640052
15	1	630735	Fjäder	Spring	640052
16	1	632164	Nippel	Fuel fitting	640052
17	1	650417	Skruv	Screw	640052
18	1	630766	Fjäder	Spring	640052
20	1	640053	Skruv	Screw	640052
20	1	640016	Skruv	Screw	640052
25	1	631951	Flottörhus kpl	Float bowl assy	Inkl. pos 32, 33 _/ 640052
27	1	631024	Flottöraxel	Float shaft	640052 _/ Kit: F
28	1	632765	Flottör	Float	640052
28	1	632019	Flottör	Float	
29	1	631028	O-ring	O-ring	640052 _/ Kit: F
30	1	631021	Nalventil kpl	Inlet needle assy	Inkl. pos 31 _/ 640052 _/ Kit: F
31	1	631022	Fjäder	Spring clip	640052
32	1	27136A	Bowl drain	Bowl drain	640052
33	1	27554	Packning	Gasket	640052 _/ Kit: F
36	1	640005	Main nozzle tube	Main nozzle tube	640052
37	2	632547	O-ring	O-ring	640052 _/ Kit: F
40	1	640012	Mutter	Nut	640054
40	1	640055	Mutter	Nut	640052
40	1	640012	Mutter	Nut	
40	1	640055	Mutter	Nut	
44	1	27110A	Packning	Gasket	640054 _/ Kit: F
44	1	27110	Packning	Gasket	640052 _/ Kit: F
47	1	630748	Welch plug	Welch plug	640052 _/ Kit: F
48	1	631027	Welch plug	Welch plug	640052 _/ Kit: F
60	1	632760	Reparationssats	Repair Kit	Märkta/marked F _/ 640052

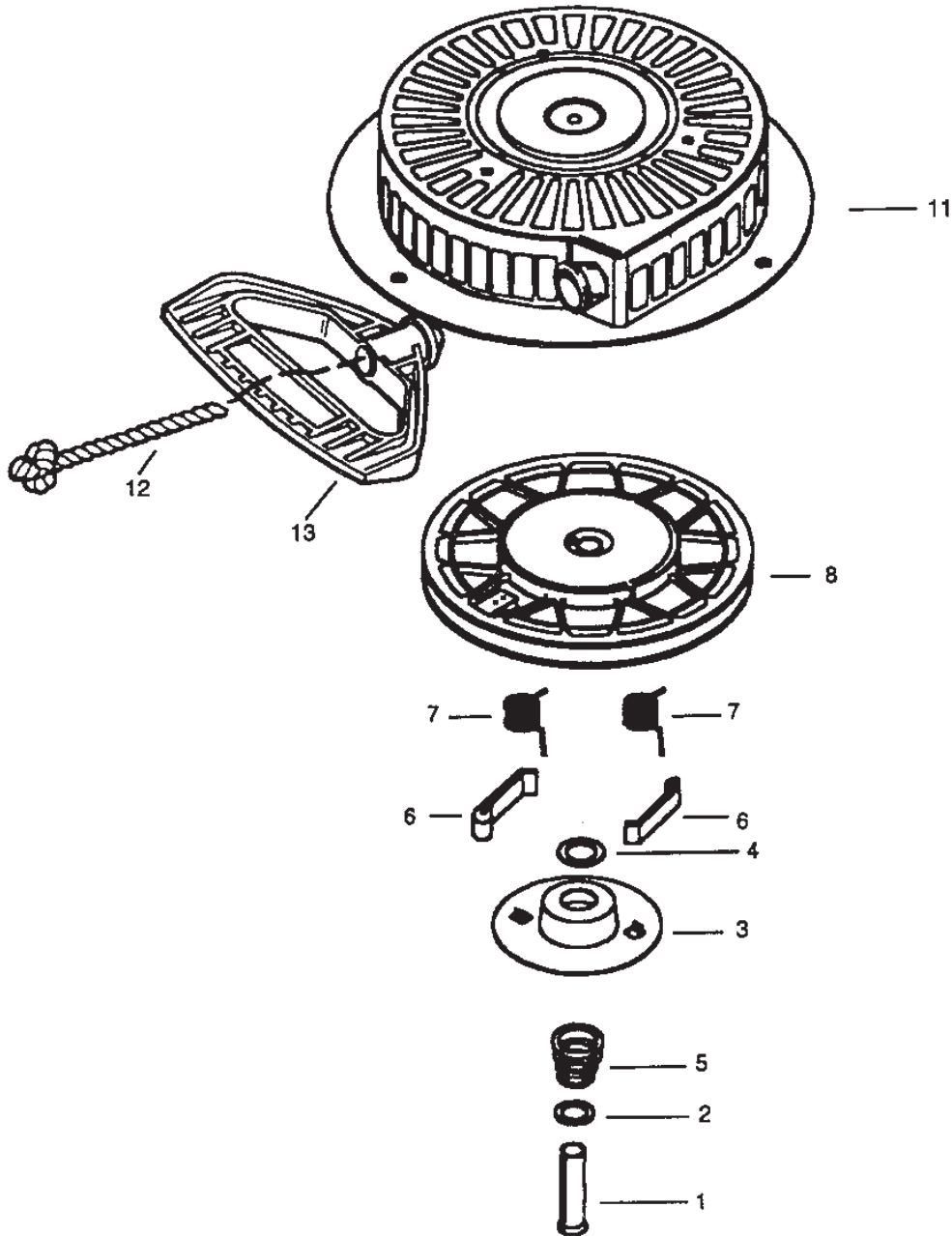
590749



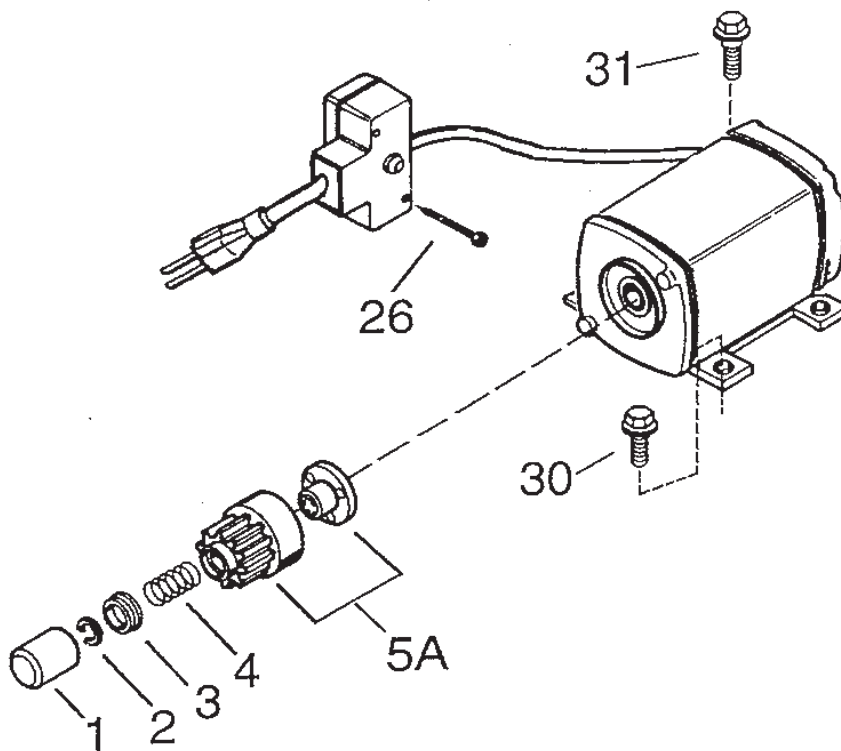


Utgåva Issue 48 - 2014		Tecumseh Hm80-Hm100 Snörstart		Tecumseh Hm80-Hm100 Rewind Starter	
Pos. Fig.	Antal Quantity	Art nr Part No	Benämning	Description	Anmärkning Notes
1	1	590599A	Stift	Pin	Inkl. pos 4
2	1	590600	Bricka	Washer	
3	1	590679	Hallare	Retainer	
4	1	590601	Bricka	Washer	
5	1	590678	Bromsfjäder	Brake Spring	
6	2	590680	Starter dog	Starter dog	
7	2	590412	Fjäder	Dog spring	
8	1	590682	Pulley and spring	Pulley and spring	
11	1	590750	Starthus	Starter housing	
11	1	590750A	Starthus	Starter housing	
12	1	590535	Startsnöre	Starter Rope	
13	1	590574	Styrplat kpl	Starter handle	

590733



Utgåva Issue 48 - 2014		Tecumseh Hm80-Hm100 Snörstart (Optional)		Tecumseh Hm80-Hm100 Rewind Starter (Optional)	
Pos. Fig.	Antal Quantity	Art nr Part No	Benämning	Description	Anmärkning Notes
1	1	590599A	Stift	Pin	Inkl. pos 4
2	1	590600	Bricka	Washer	
3	1	590696	Hallare	Retainer	
4	1	590601	Bricka	Washer	
5	1	590697	Fjäder	Spring	
6	2	590698	Starter dog	Starter dog	
7	2	590699	Fjäder	Spring	
8	1	590709	Pulley and spring	Pulley and spring	
11	1	590734	Starthus	Starter housing	
11	1	590734A	Starthus	Starter housing	
12	1	590535	Startsnöre	Starter Rope	
13	1	590574	Styrplat kpl	Starter handle	



Utgåva Issue 48 - 2014		El.Starter Kit 230V			
Pos. Fig.	Antal Quantity	Art nr Part No	Benämning	Description	Anmärkning Notes
0	1	37102	Startmotor kpl	Starter motor assy	
1	1	33451	Dammskydd	Dust Cover	
2	1	33842	Retainer ring	Retainer ring	
3	1	33430	Spring retainer	Spring retainer	
4	1	33431	Fjäder	Spring	
5	1	37050	Lasmutter	Nut	Inkl. pos 2
26	2	650819	Skruv	Screw	
30	2	30063	Skruv	Screw	
31	2	650820	Shoulder bolt	Shoulder bolt	





<b>code</b>	<b>pos.</b>	<b>q.ty</b>	<b>page</b>
632760	60	1	p. 31
632765	28	1	p. 31
640005	36	1	p. 31
640012	40	1	p. 31
640012	40	1	p. 31
640016	20	1	p. 31
640052	380	1	p. 29
640053	20	1	p. 31
640054	380	1	p. 29
640055	40	1	p. 31
640055	40	1	p. 31
650128	65	1	p. 23
650128	174	2	p. 25
650378	223	2	p. 27
650417	17	1	p. 31
650506	7	2	p. 31
650561	26	2	p. 23
650561	342	1	p. 27
650665	298	2	p. 27
650690	128	3	p. 25
650691	127	2	p. 25
650691	127	5	p. 25
650694A	130	3	p. 25
650727	130	2	p. 25
650760	282	1	p. 27
650765	336	1	p. 27
650767	365	2	p. 29
650788	261	2	p. 27
650802	264	1	p. 27
650819	26	2	p. 37
650820	3	2	p. 23
650820	31	2	p. 37
650821	209	2	p. 27
650832	87	1	p. 25
650833	86	7	p. 25
650836	140	2	p. 25
650873	314	1	p. 27
650880	92	1	p. 25
650881	93	1	p. 25
651002	277	2	p. 27
651007	103	2	p. 25
651024	102	2	p. 25
651028	18	1	p. 23
651029	204	1	p. 27
651033	47	2	p. 23
651055	130	2	p. 25
651080	81	1	p. 23
651084	262	2	p. 27