

STIGA

Reservdelskatalog Parts Catalogue

928ET

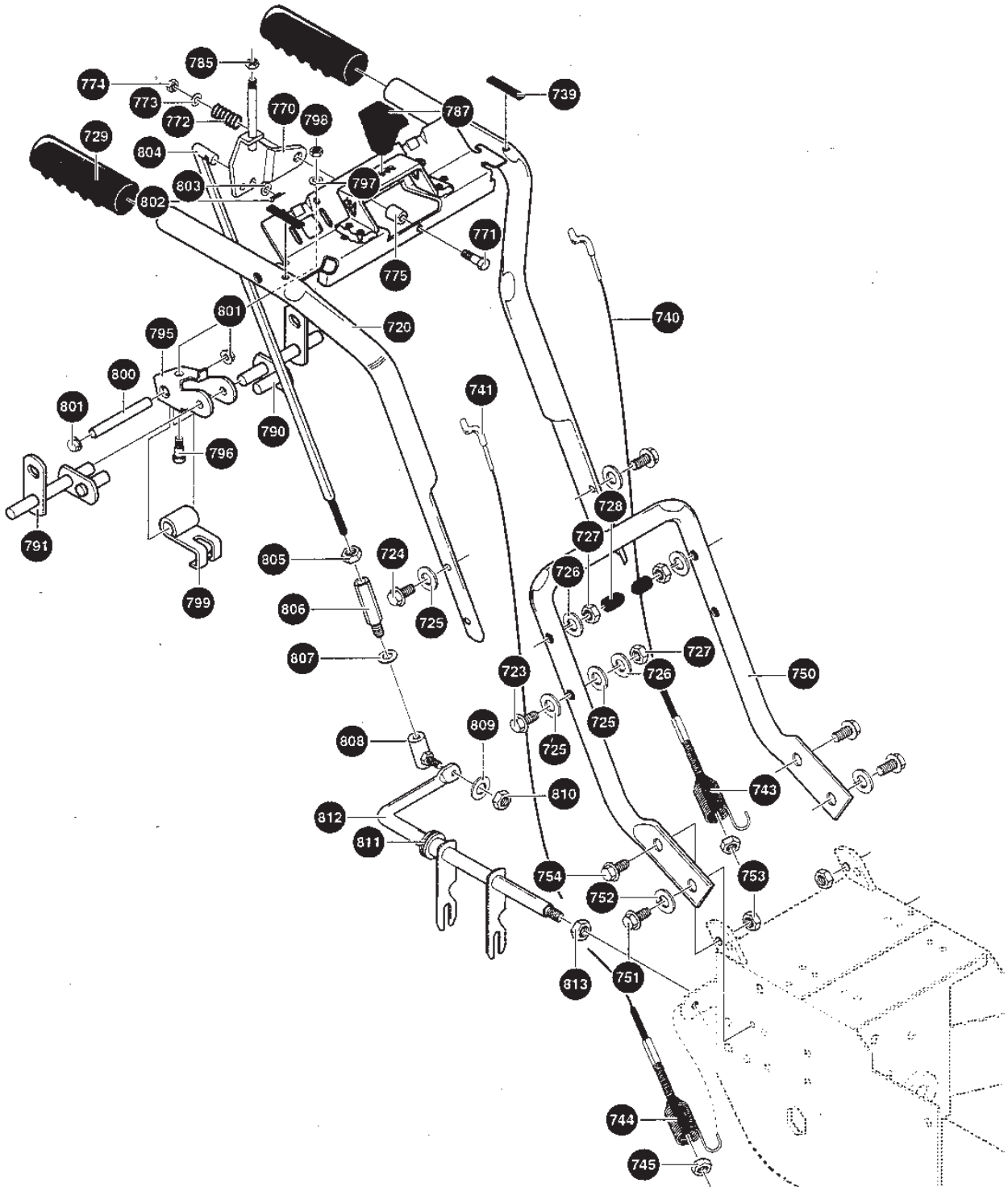
18-2838-20 - Season 1999

- Use GLOBAL GARDEN PRODUCT Genuine Spare Parts specified in the parts list for repair and/or replacement.
 - The contents described in the parts list may change due to improvement.
 - The drawings of the spare parts are only indicative and might not represent the part in question exactly.
 - The indications "right" - "left" - "front" - "rear" refer to the position of the operator when using the machine.
- When placing orders of parts for repair and/or replacement, make sure that the illustrated parts list is the one applying to the machine's year of manufacture, as shown on the identification plate attached to the machine.

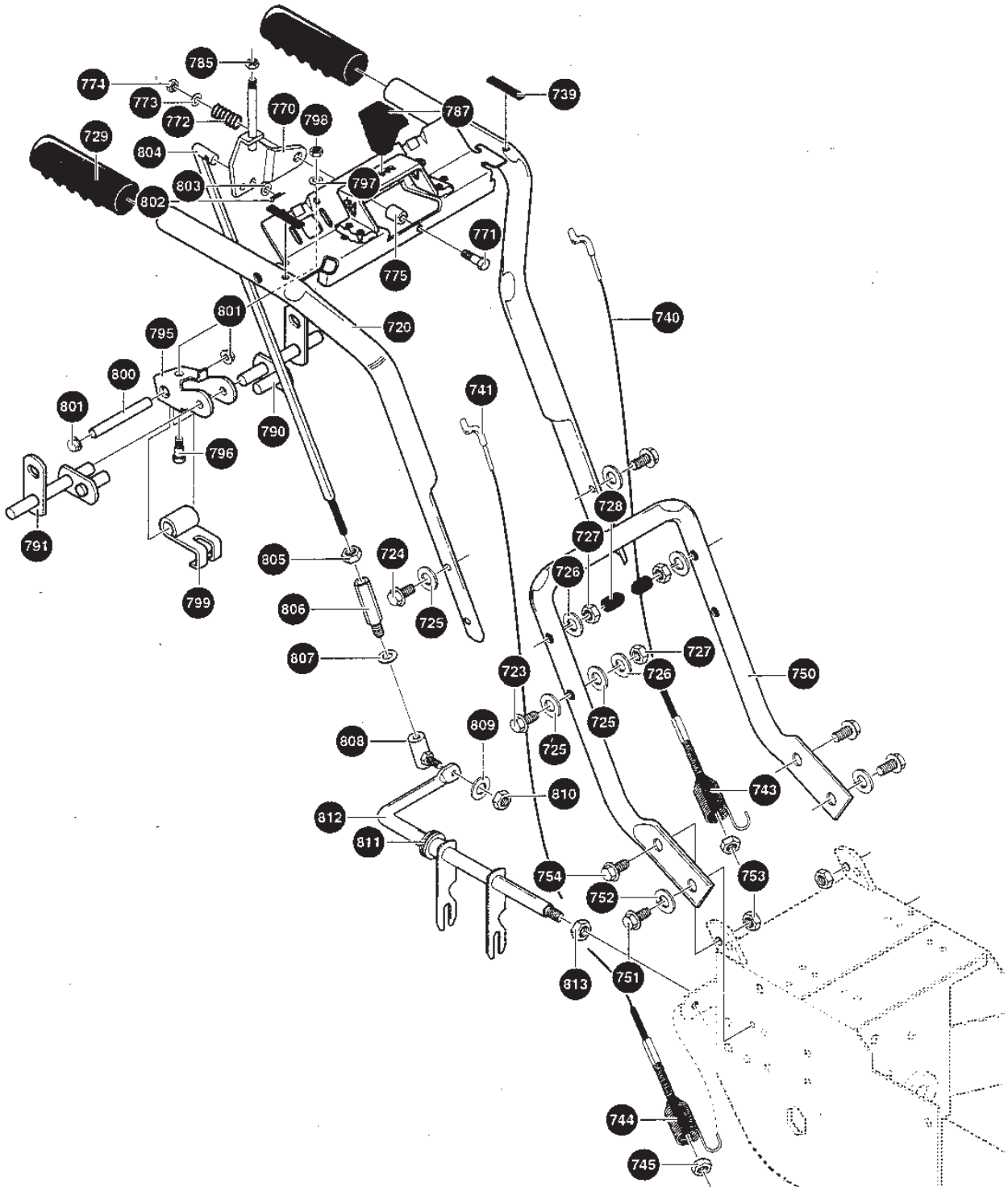
© Copyright 2014 Global Garden Products

All rights reserved. No part of this material may be reproduced or transmitted, in any form or by any means, electronic or mechanical, including photocopying, recording or by any information storage and retrieval system, without permission in writing from GLOBAL GARDEN PRODUCTS.

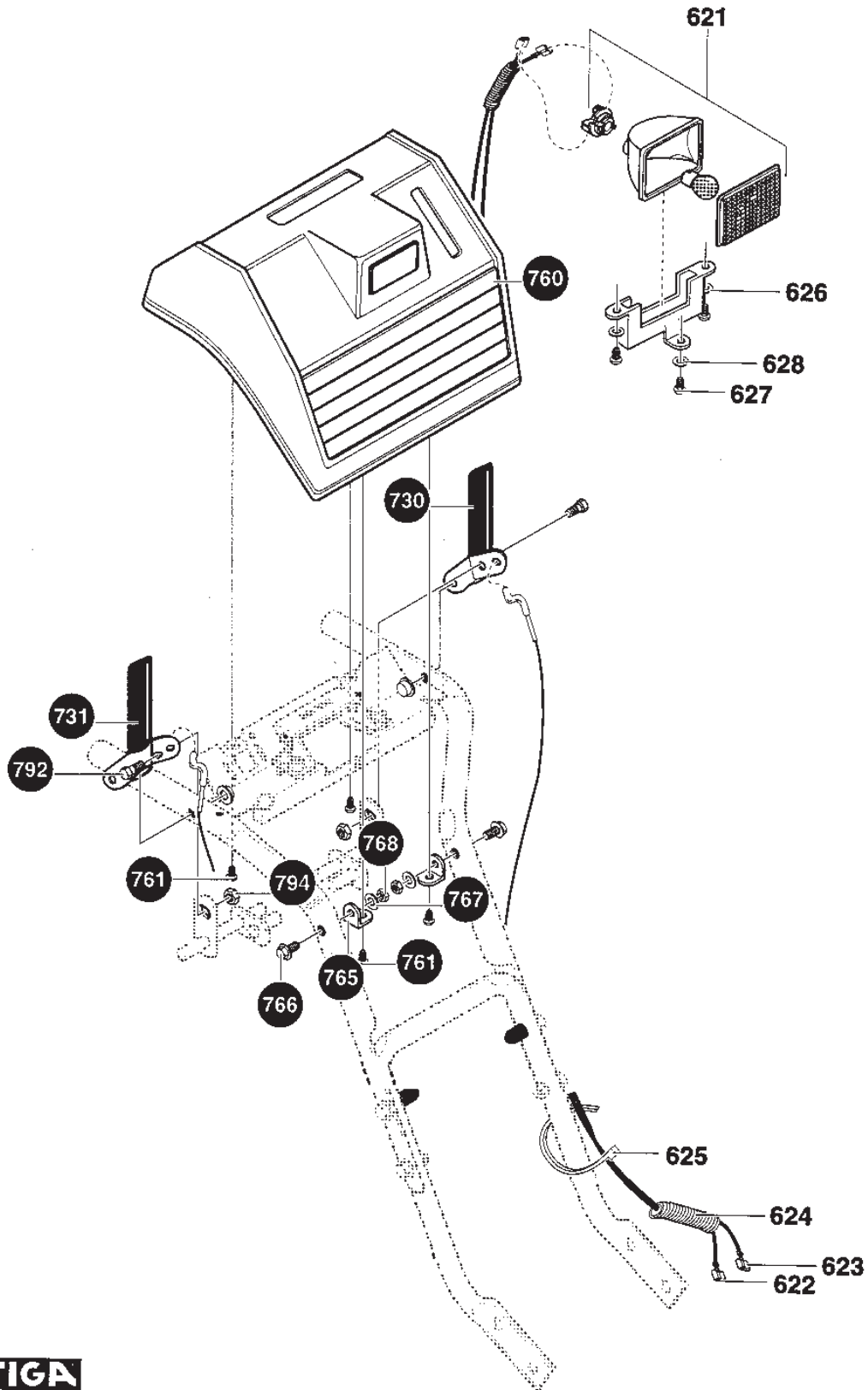
www.stiga.com



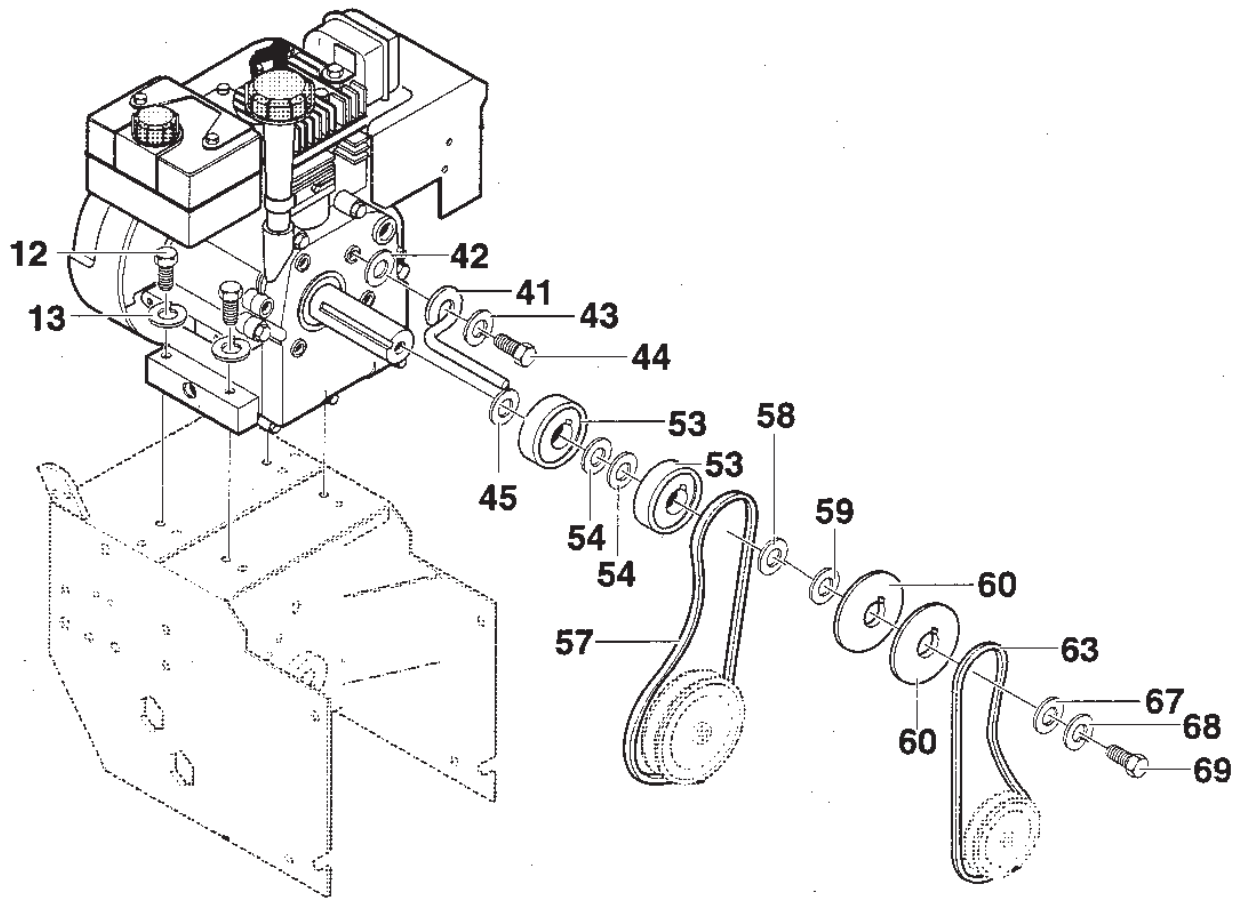
Utgåva Issue 47 - 2014		Styre	Handle		
Pos. Fig.	Antal Quantity	Art nr Part No	Benämning	Description	Anmärkning Notes
720	1	1812-1194-01	Styre-överdel Däck-överdel	Handle Upper Handle, Upper Part	
723	2	9988-3751-12	Skruv	Screw	
724	2	9988-3764-12	Skruv	Screw	
725	6	9699-0035-02	Bricka	Washer	
726	4	9683-0035-02	Bricka	Washer	
727	4	9795-3731-02	Mutter	Nut	
728	2	1812-0830-01	Plastknopp	Plastic Stop	
729	2	1812-0955-01	Handtag	Handle Grip	
739	2	1812-0520-01	Skydd	Protection	
740	1	1812-0249-01	Reglagewire (817 Mm)	Wire (817 Mm)	
741	1	1812-1518-01	Kopplingswire Reglagewire	Clutch Cable	
743	1	1812-1210-01	Fjäder	Spring	
744	1	1812-0254-01	Fjäder	Spring	
745	2	9743-3521-32	Mutter	Nut	
750	1	1812-0553-01	Däck-underdel Styre-underdel	Handle Lower Part	
751	2	1133-0057-01	Skruv	Screw	
752	2	9683-0030-02	Bricka	Washer	
753	2	1812-0811-01	Mutter	Nut	
754	2	1133-0057-01	Skruv	Screw	
770	1	1812-1422-01	Växelspak	Gear Shifter	
771	1	9988-3764-12	Skruv	Screw	
772	1	1812-0304-01	Fjäder	Spring	
773	1	9699-0035-02	Bricka	Washer	
774	1	9743-3721-32	Mutter	Nut	
775	1	1812-1193-01	Distans	Spacer	
785	1	9795-3531-02	Mutter	Nut	
787	1	1812-1293-01	Reglageknopp	Knob	
790	1	1812-1414-01	Spärrstang Vä	Rod	
791	1	1812-1188-01	Spärrstang Vä Spärrstang Hö	Bail Rod R.H. Rod	
791	1	1812-1413-01	Spärrstang-hö	Bail Rod R.H.	
795	1	1812-1185-01	Fäste	Bracket Cam Retainer	
795	1	1812-1593-01	Fäste	Bracket, Cam	
796	1	9988-3619-16	Skruv	Screw	
797	1	9683-0030-02	Bricka	Washer	
798	1	9795-3631-02	Mutter	Nut	
799	1	1812-0834-01	Lasfjäder	Cam Lock Spring	
800	1	1812-1280-01	Sprint	Pin Latch	
801	2	1812-1483-01	Mutter Lasning	Nut	
802	1	9599-0036-02	Saxsprint	Split Pin	
803	1	9699-0029-02	Bricka	Washer	
804	1	1812-1242-01	Växelstang	Rod Speed Control	
805	1	9794-5131-02	Mutter	Nut	
806	1	1812-0622-01	Skruvhylsa	Adaptor	
807	1	9683-0030-02	Bricka	Washer	
808	1	1812-0627-01	Kulled	Ball Joint	
809	1	9683-0030-02	Bricka	Washer	
810	1	9794-5131-02	Mutter	Nut	
811	1	1812-1219-01	Plastbussning	Plastic Bushing	
812	1	1812-1368-01	Växelarm	Speed Select Lever	



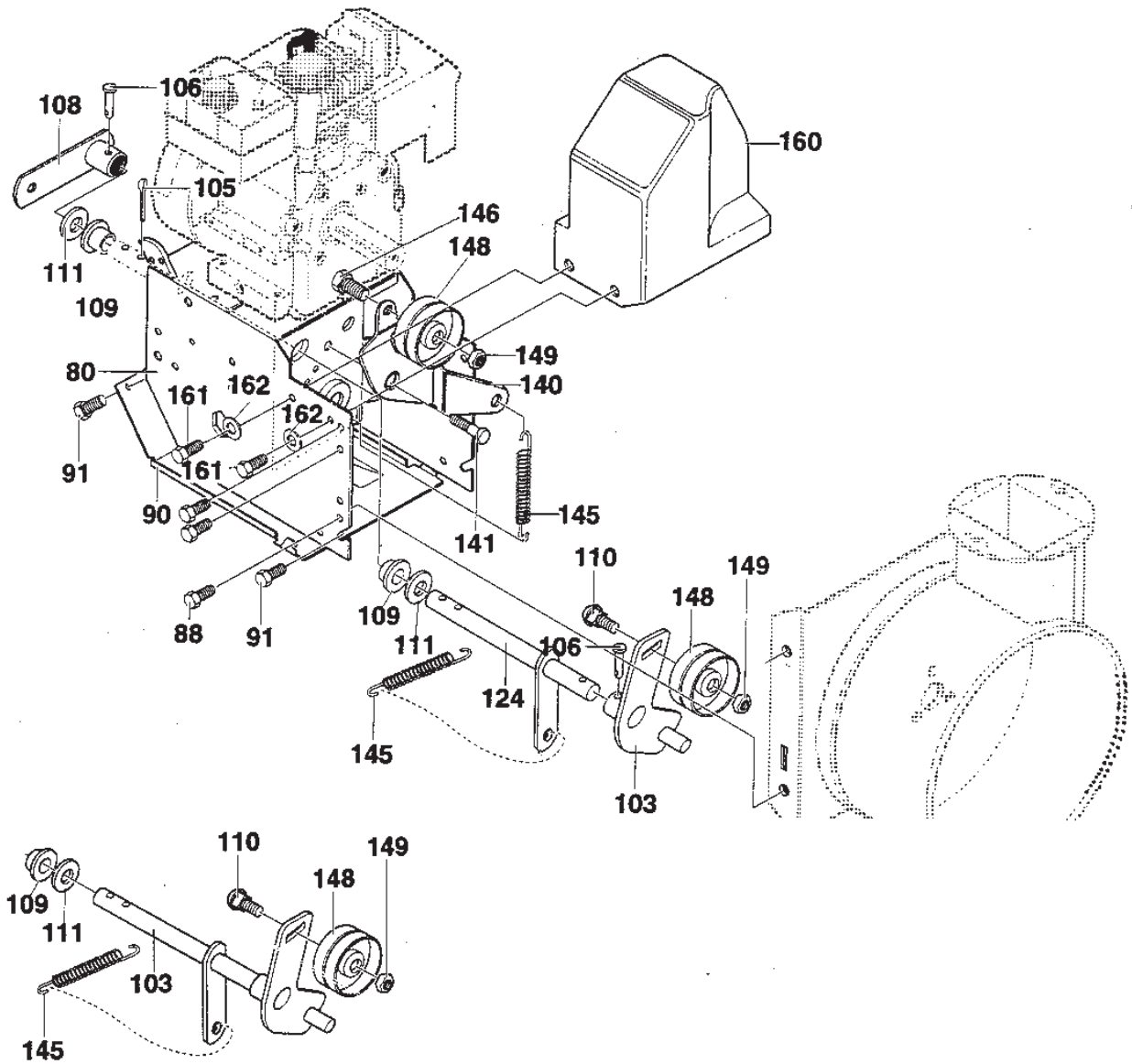
Utgåva Issue 47 - 2014		Styre				Handle
Pos. Fig.	Antal Quantity	Art nr Part No	Benämning	Description	Anmärkning Notes	
813	1	9795-3731-02	Mutter	Nut		



Utgåva Issue 47 - 2014		Panel			
Pos. Fig.	Antal Quantity	Art nr Part No	Benämning	Description	Anmärkning Notes
621	1	1812-1195-01	Stralkastarlins	Lens Cover	
621	1	1812-1196-01	Stralkastarhus	Housing Light	
621	1	1812-1245-01	Glödlampa	Light Bulb	
621	1	1812-1478-01	Stralkastare kpl	Headlight Assy	
626	2	1812-1187-01	Lampfäste	Bracket Light	
628	1	1812-1477-01	Planbricka	Flat washer	



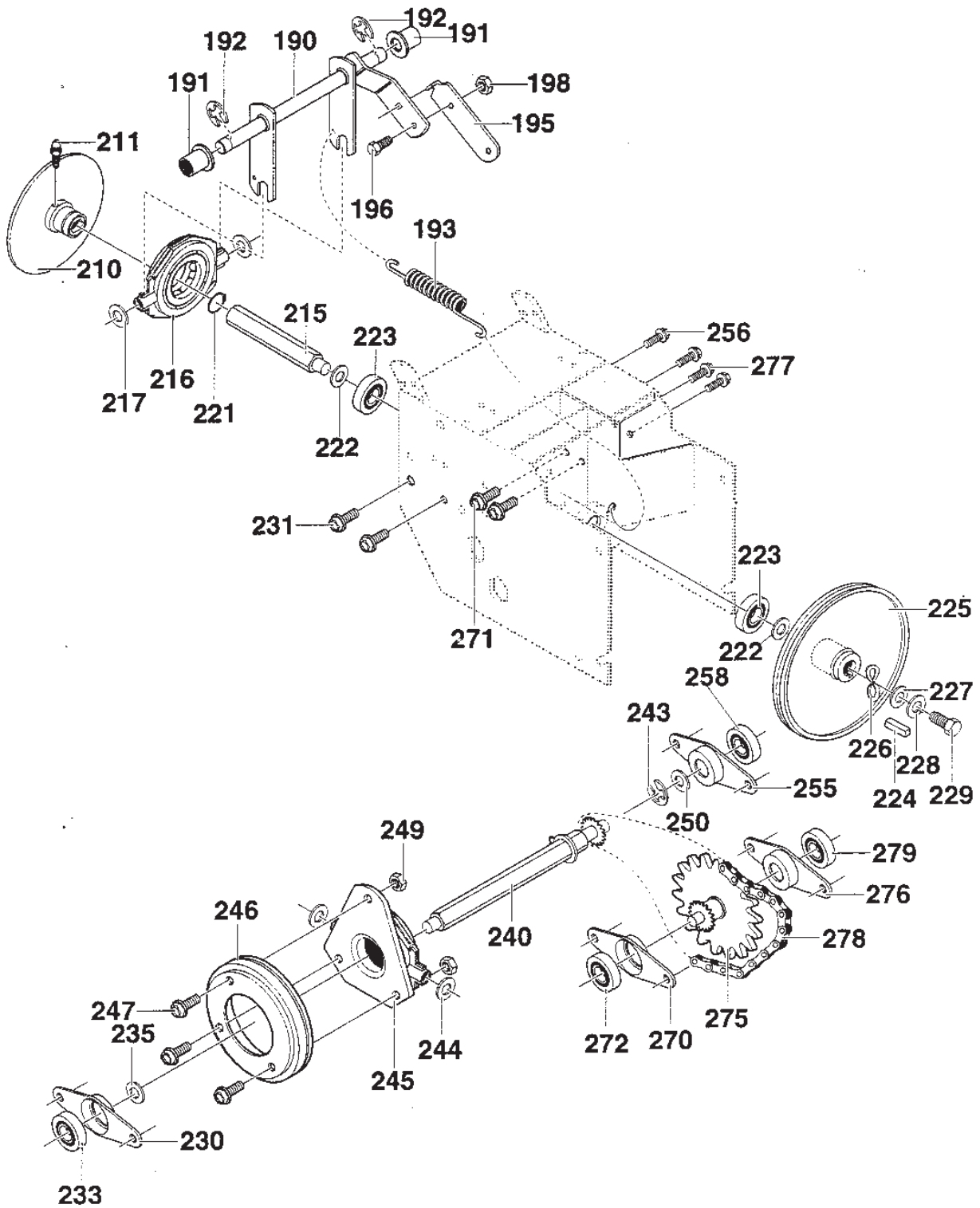
Utgåva Issue 47 - 2014		Motor Remtransmission		Engine Belt Transmission	
Pos. Fig.	Antal Quantity	Art nr Part No	Benämning	Description	Anmärkning Notes
12	4	9988-3638-12	Skruv	Screw	
13	4	9683-0030-02	Bricka	Washer	
41	1	1812-0533-01	Remstyrning	Belt Guide	
42	1	1812-0667-01	Plastbricka	Washer	
43	1	9683-0030-02	Bricka	Washer	
44	1	9987-5125-16	Skruv	Screw	
53	2	1812-1201-01	Motorremskiva	Traction Pulley	
54	2	1812-1206-01	Distans	Spacer	
57	1	1812-9024-01	Drivrem	Drive Belt	
58	1	1812-0407-01	Bricka	Washer	
59	1	1812-1350-01	Distans	Spacer	
60	2	1812-1351-01	Motorremskiva	Engine Pulley	
63	1	1812-9022-01	Drivrem	Drive Belt	
67	1	1812-0283-01	Bricka	Washer	
68	1	9683-0035-02	Bricka	Washer	
69	1	1133-0762-01	Skruv	Screw	



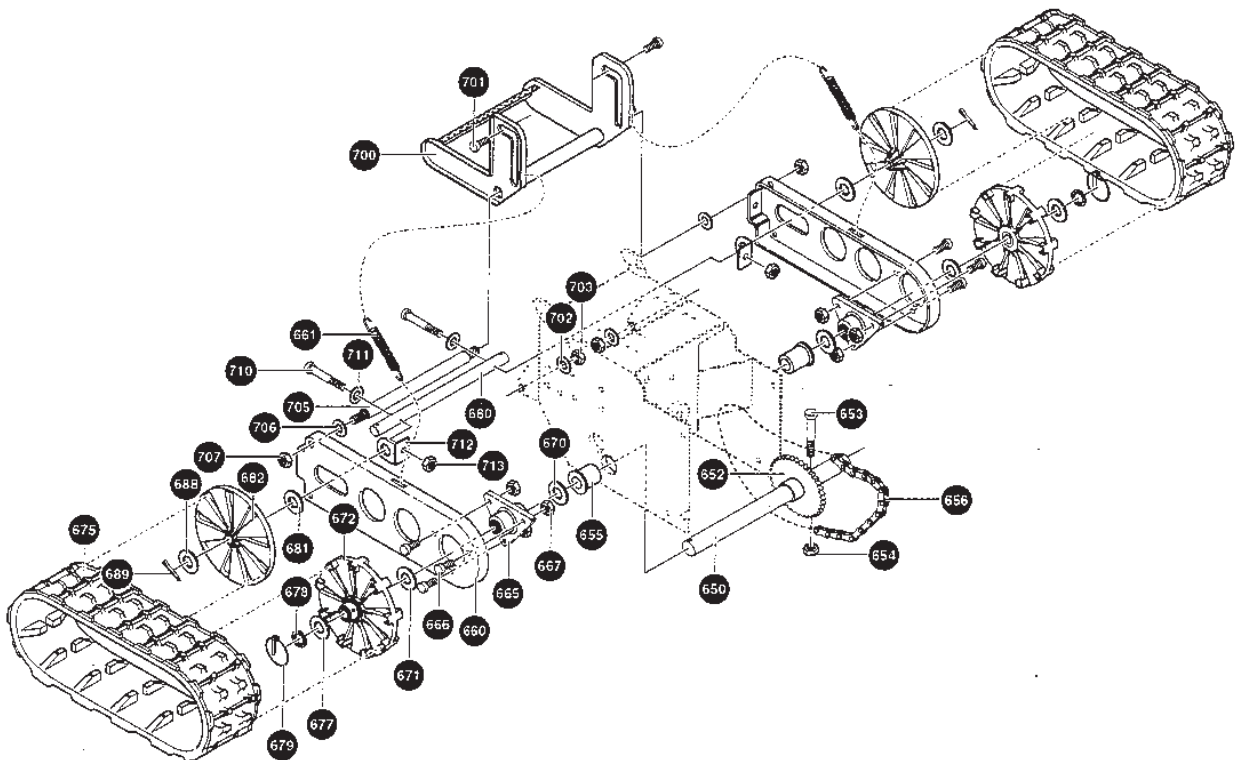
Modell 1330e



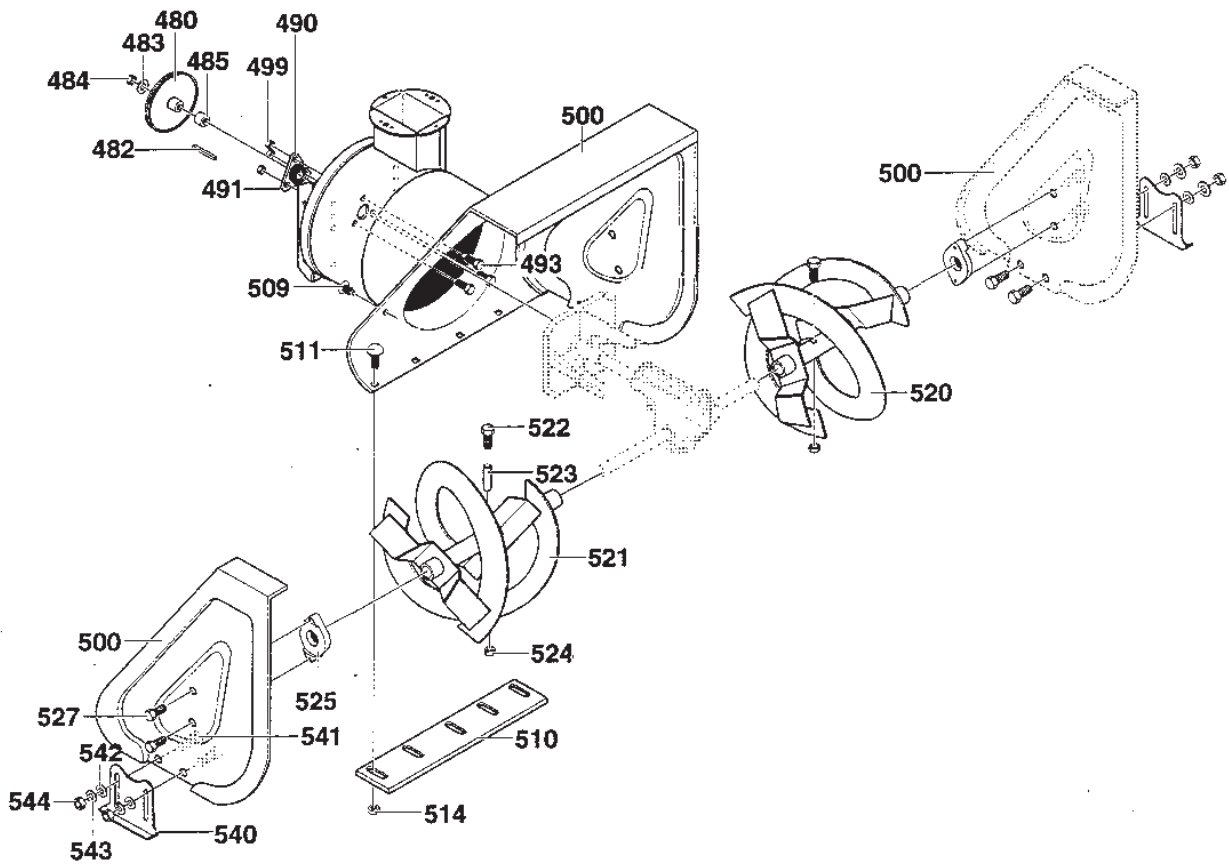
Utgåva Issue 47 - 2014		Chassi Spännrullar		Frame Idler Pulleys	
Pos. Fig.	Antal Quantity	Art nr Part No	Benämning	Description	Anmärkning Notes
80	1	1812-1536-01	Chassi	Frame	
88	6	1812-0385-01	Skruv	Screw	
90	1	1812-1320-01	Bottenplat	Bottom Panel	
91	4	9988-3516-16	Skruv	Screw	
103	1	1812-1545-01	Spännarm	Engagement Arm	
105	1	1812-1511-01	Lasstift	Hair Pin	
106	2	1812-1533-01	Pinne	Klik Clip	
108	1	1812-1542-01	Arm	Lever	
109	2	1812-0328-01	Bussning	Bushing	
110	1	9899-3732-16	Skruv	Screw	
111	2	1812-1509-01	Planbricka	Flat washer	
124	1	1812-1535-01	Axel	Lever Rod	
140	1	1812-1524-01	Spännarm	Traction Lever	
141	1	1133-0887-01	Bult	Bolt	
145	2	1812-0329-01	Fjäder	Spring	
146	1	9988-3732-12	Skruv	Screw	
148	2	1812-0305-01	Spännrulle	Tension Roller	
149	2	9743-3721-32	Mutter	Nut	
160	1	1812-1513-01	Remskydd	Belt Cover	
161	4	9988-3516-16	Skruv	Screw	
162	4	9699-0028-02	Bricka	Washer	



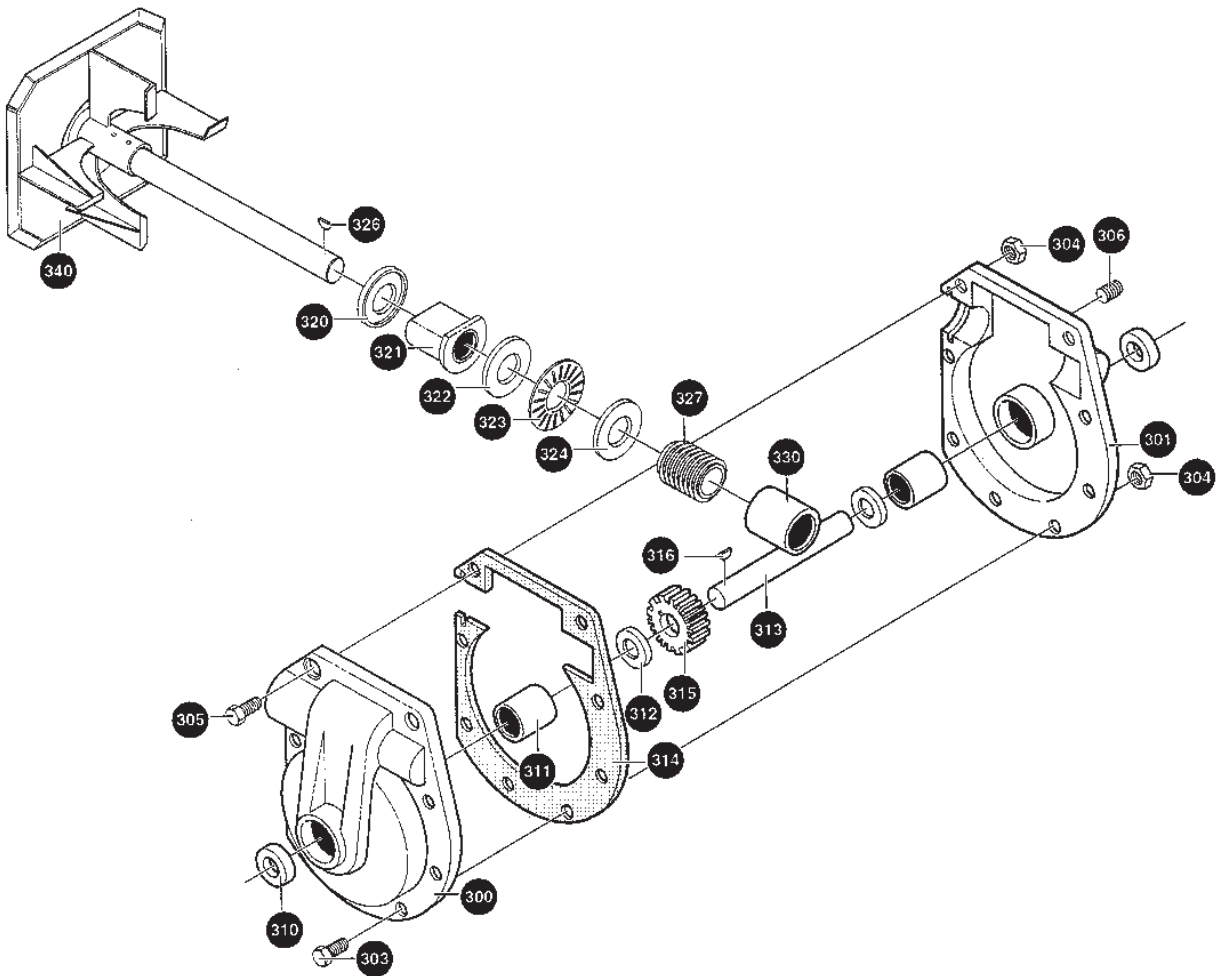
Utgåva Issue 47 - 2014		Drivning Drive Train			
Pos. Fig.	Antal Quantity	Art nr Part No	Benämning	Description	Anmärkning Notes
190	1	1812-1543-01	Arm	Traction Clutch Lever	
191	2	1812-0328-01	Bussning	Bushing	
192	2	1812-1480-01	Lasring	Retaining Ring	
193	1	1812-0364-01	Fjäder	Spring	
195	1	1812-1217-01	Fjäderarm	Traction Spring Lever	
196	1	9988-3516-16	Skruv	Screw	
198	1	1812-0812-01	Mutter	Nut	
210	1	1812-1269-01	Friktionshjul	Friction Disc	
211	1	1812-1425-01	Smörjnippel	Grease Zerk	
215	1	1812-1262-01	Axel	Traction Hex Shaft	
216	1	1812-0450-01	Bärlager	Bearing	
217	2	9699-0038-02	Bricka	Washer	
221	1	1812-0402-01	Lasring	Retaining Ring	
222	2	1812-1238-01	Bricka	Washer	
223	2	1812-1383-01	Kullager	Ball Bearing	
224	1	1812-1239-01	Kil	Square Key	
224	1	1812-1609-01	Kil	Key	
225	1	1812-1236-01	Remskiva	Traction Pulley	
226	1	1812-1237-01	Bricka	Wave Washer	
227	1	1812-1190-01	Bricka	Flat washer	
228	1	9683-0025-02	Bricka	Washer	
229	1	1812-1588-01	Skruv	Screw	
229	1	9988-3519-16	Skruv	Screw	
230	1	1812-1200-01	Lagerhallare	Bearing Retainer	
231	2	1812-0385-01	Skruv	Screw	
233	1	1812-1207-01	Kullager	Ball Bearing	
235	1	1812-1204-01	Bricka	Washer	
240	1	1812-1312-01	Sexkantsaxel	Hex Shaft	
243	1	1812-1164-01	Lasring	Retainer Ring	
244	2	9699-0038-02	Bricka	Washer	
245	1	1812-1313-01	Lager	Trunion Bearing	
246	1	1812-9002-01	Friktionshjul	Friction Disc	
247	3	9988-3516-16	Skruv	Screw	
249	3	9795-3531-02	Mutter	Nut	
250	1	1812-1204-01	Bricka	Washer	
255	1	1812-1200-01	Lagerhallare	Bearing Retainer	
256	2	1812-0385-01	Skruv	Screw	
258	1	1812-1207-01	Kullager	Ball Bearing	
270	1	1812-1200-01	Lagerhallare	Bearing Retainer	
271	2	1812-0385-01	Skruv	Screw	
272	1	1812-1207-01	Kullager	Ball Bearing	
275	1	1812-1522-01	Axel M.Kedjedrev	Jack Shaft	36T & 8T
275	1	1812-1541-01	Axel M.Kedjedrev	Jack Shaft	36T & 8T
276	1	1812-1200-01	Lagerhallare	Bearing Retainer	
277	2	1812-0385-01	Skruv	Screw	
278	1	1812-1209-01	Kedja	Chain Roller	
279	1	1812-1207-01	Kullager	Ball Bearing	



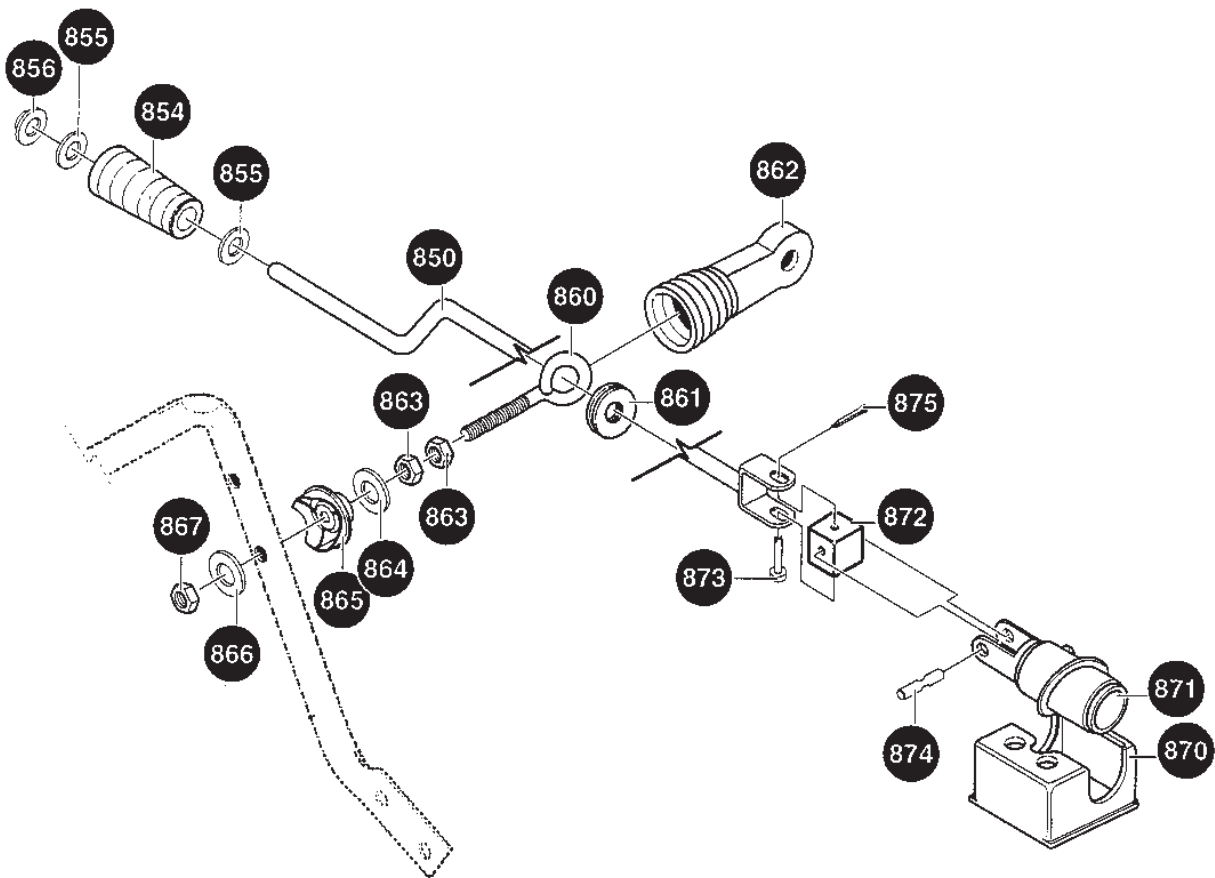
Utgåva Issue 47 - 2014		Band		Track	
Pos. Fig.	Antal Quantity	Art nr Part No	Benämning	Description	Anmärkning Notes
650	1	1812-1243-01	Axel	Shaft Axle	
652	1	1812-1216-01	Kedjedrev	Sprocket	
653	1	9988-3557-12	Skruv	Screw	
654	1	9743-3521-32	Mutter	Nut	
655	2	1812-1246-01	Lager	Bearing Axle	
656	1	1812-1209-01	Kedja	Chain Roller	
660	2	1812-1223-01	Stödplat	Plate Track Drive	
661	1	1812-0321-01	Fjäder	Spring	
665	2	1812-1484-01	Lager	Track Bearing	
666	6	9988-3519-16	Skruv	Screw	
667	6	9727-3541-22	Mutter	Nut	
670	2	1812-1506-01	Distans	Spacer	
671	2	1812-0665-01	Bricka	Washer	
672	2	1812-1174-01	Drivhjul-band	Sprocket Track Drive	
675	2	1812-1241-01	Drivband	Track	
677	2	1812-0407-01	Bricka	Washer	
678	2	1812-0567-01	Lasning Bricka	Retainer ring Washer	
679	2	1812-0408-01	Lassprint	Clik Pin	
680	1	1812-1230-01	Axel Axel	Shaft	
681	2	1812-1199-01	Planbricka	Flat washer	
682	2	1812-1175-01	Bandhjul	Idler shaft wheel	
688	2	1812-1505-01	Planbricka	Flat washer	
689	2	1812-0939-01	LasSprint	Self Locking Pin	
700	1	1812-1225-01	Pedal	Pedal Weight Transfer	
701	2	1812-0603-01	Bult	Bolt	
702	2	9683-0030-02	Bricka	Washer	
703	2	9795-3631-02	Mutter	Nut	
705	1	1812-1224-01	Pedalaxel	Foot pedal shaft	
706	2	9699-0035-02	Bricka	Washer	
707	2	1132-0695-01	Mutter	Nut	
710	2	1812-0907-01	Bult	Bolt	
711	2	9699-0028-02	Bricka	Washer	
712	2	1812-1222-01	Vinkelfäste	Bracket Track Tensioner	
713	2	9743-3521-32	Mutter	Nut	



Utgåva Issue 47 - 2014		Snöskruv Auger			
Pos. Fig.	Antal Quantity	Art nr Part No	Benämning	Description	Anmärkning Notes
480	1	1812-1261-01	Remskiva	Auger Pulley	
482	1	1812-1167-01	Kil	Key	
483	1	9699-0038-02	Bricka	Washer	
484	1	9743-5421-32	Mutter	Nut	
485	1	1812-1397-01	Distans	Spacer	
490	1	1812-1250-01	Lagerhallare	Retainer Bearing	
491	1	1812-1383-01	Kullager	Ball Bearing	
493	3	9988-3619-16	Skruv	Screw	
499	3	9795-3631-02	Mutter	Nut	
500	1	1812-1548-01	Snöskruvhus	Housing	
509	2	1812-1430-01	Plugg	Plug	
510	1	1812-1449-01	Skrapskär	Scraper Blade	
511	5	9899-3622-16	Skruv	Screw	
514	5	9795-3631-02	Mutter	Nut	
520	1	1812-1445-01	Snöskruv-vä	Auger-L.H.	
521	1	1812-1454-01	Snöskruv-hö	Auger-R.H.	
522	1	1812-9005-01	Brytbultsats	Shear Bolt Kit	
523	3	1812-0531-01	Distans	Spacer	
524	3	1812-0812-01	Mutter	Nut	
525	2	1812-0347-01	Lager	Bearing	
527	4	1133-0057-01	Skruv	Screw	
540	2	1812-1426-01	Släpsko	Height Adjust Skid	
541	4	9899-3622-16	Skruv	Screw	
542	4	9699-0029-02	Bricka	Washer	
543	4	9683-0030-02	Bricka	Washer	
544	4	9795-3631-02	Mutter	Nut	

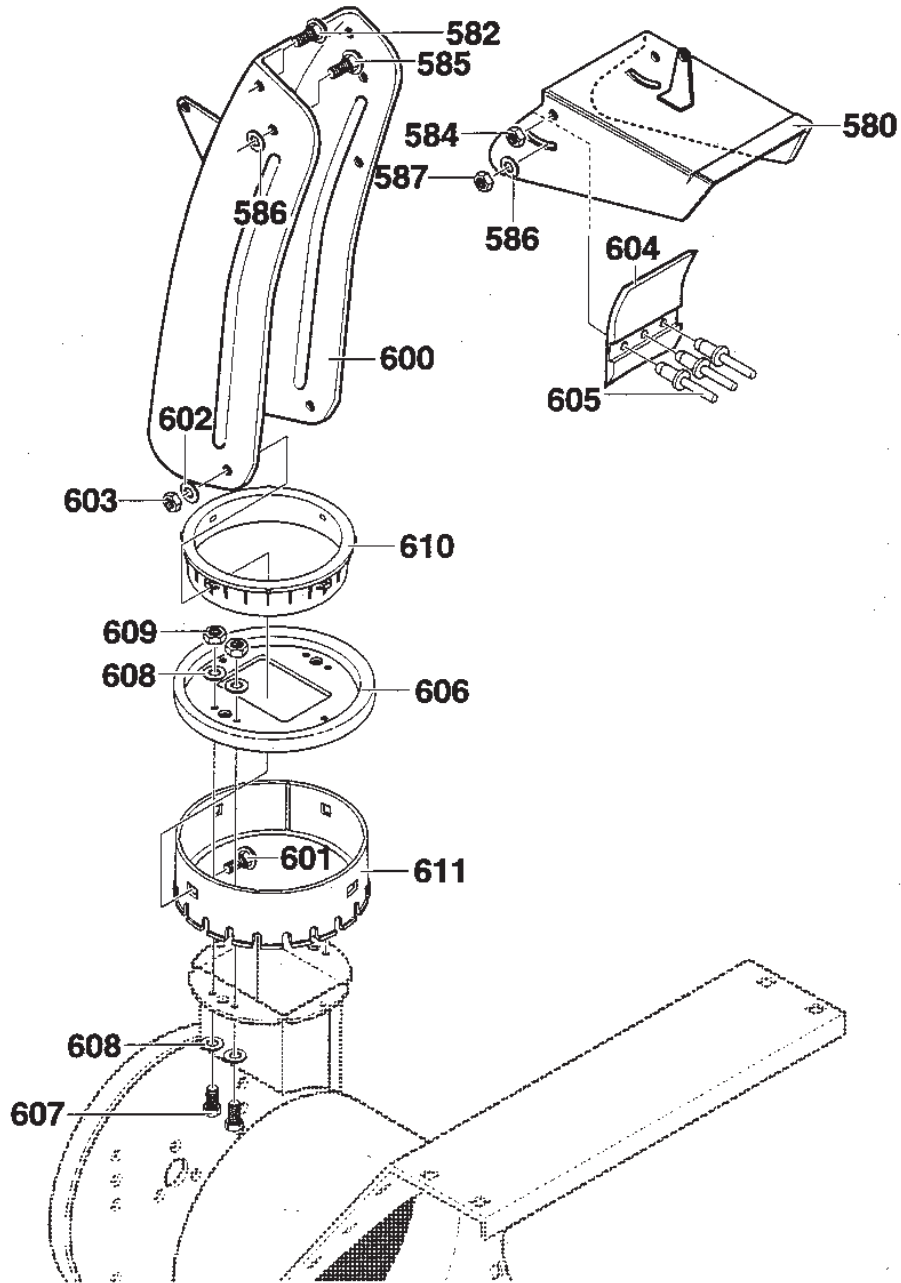


Utgåva Issue 47 - 2014		Snäckväxel Gear Case			
Pos. Fig.	Antal Quantity	Art nr Part No	Benämning	Description	Anmärkning Notes
300	1	1812-0228-01	Snäckväxelhus-hö	Gear case-RH Gear Housing, Right	
301	1	1812-0227-01	Snäckväxelhus-vä	Gear case-LH Gear Housing, Left	
303	7	9987-5125-16	Skruv	Screw	
304	8	9743-5121-02	Mutter	Nut	
305	1	9987-5145-12	Skruv	Screw	
306	1	1812-0346-01	OljePlugg	Oil Plug	
310	2	1812-0344-01	Tätningring	Ring	
311	2	1812-0343-01	Lager	Bearing	
312	2	1812-0345-01	Bricka	Washer	
313	1	1812-1442-01	Snöskruvaxel	Auger Shaft	
314	1	1812-0226-01	Packning	Gasket	
315	1	1812-0335-01	Drev	Worm Gear	
316	1	1812-0409-01	Woodruffkil	Woodruff Key	
320	1	1812-0341-01	Tätningring	Ring	
321	1	1812-1259-01	Flänslager	Bearing Impeller Shaft	
322	1	1812-0857-01	Bricka	Thrust Washer	
323	1	1812-0285-01	Nallager	Needle Bearing	
324	1	1812-0857-01	Bricka	Thrust Washer	
326	1	1812-0307-01	Kil	Key	
327	1	1812-0336-01	Snäckdrev	Gear	
330	1	1812-0297-01	Lager	Bearing	
340	1	1812-1523-01	Fläkt M.Axel	Impeller W.Shaft	

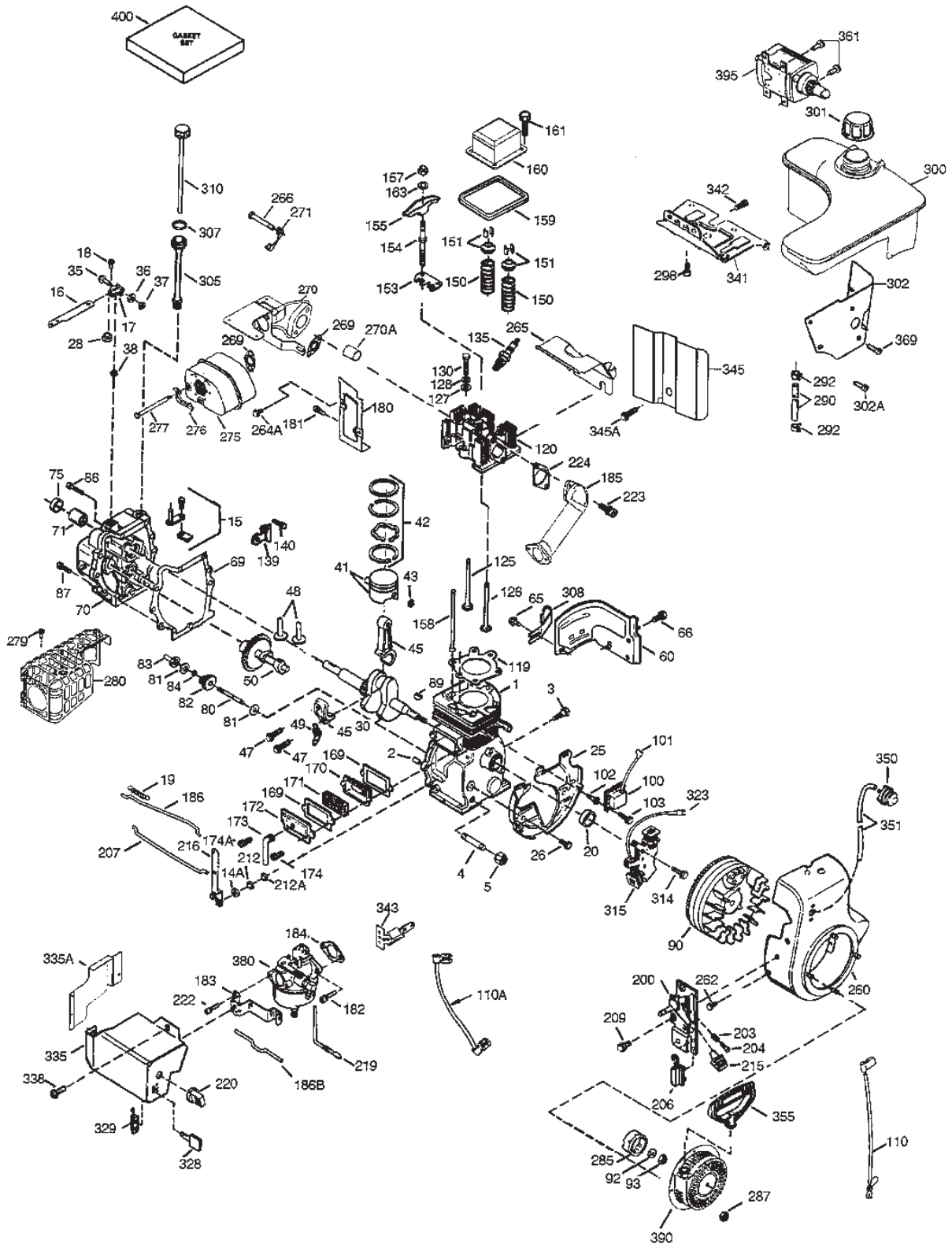


Utgåva Issue 47 - 2014		Inställningsvev Chute Crank			
Pos. Fig.	Antal Quantity	Art nr Part No	Benämning	Description	Anmärkning Notes
850	1	1812-1339-01	Inställningsvev	Crank	
854	1	1812-1168-01	Handtag	Handle	
855	1	1812-1171-01	Bricka	Washer	
856	1	1812-1183-01	Lasning	Cap Retainer	
860	1	1812-0394-01	Öglebult	Eyebolt	
861	1	1812-0203-01	Bussning	Bushing	
862	1	1812-1170-01	Hylsa-öglebult	Boot Eye Bolt Boot-eye bolt	
863	2	9743-3721-32	Mutter	Nut	
864	1	9699-0035-02	Bricka	Washer	
865	1	1812-1172-01	Adapter	Adaptor Boot Boot adaptor	
866	1	9699-0035-02	Bricka	Washer	
867	1	9743-3721-32	Mutter	Nut	
870	1	1812-1334-01	Fäste-Snäckskruv	Chute Worm Bracket	
871	1	1812-1335-01	Snäckskruv	Chute Rotate Worm	
872	1	1812-1317-01	LedkMutter	Universal Housing	
873	1	1812-1318-01	Sprint	Clevis Pin	
874	1	1812-1316-01	Axel	Universal Pin	
875	1	9599-0033-00	Saxsprint	Split Pin	

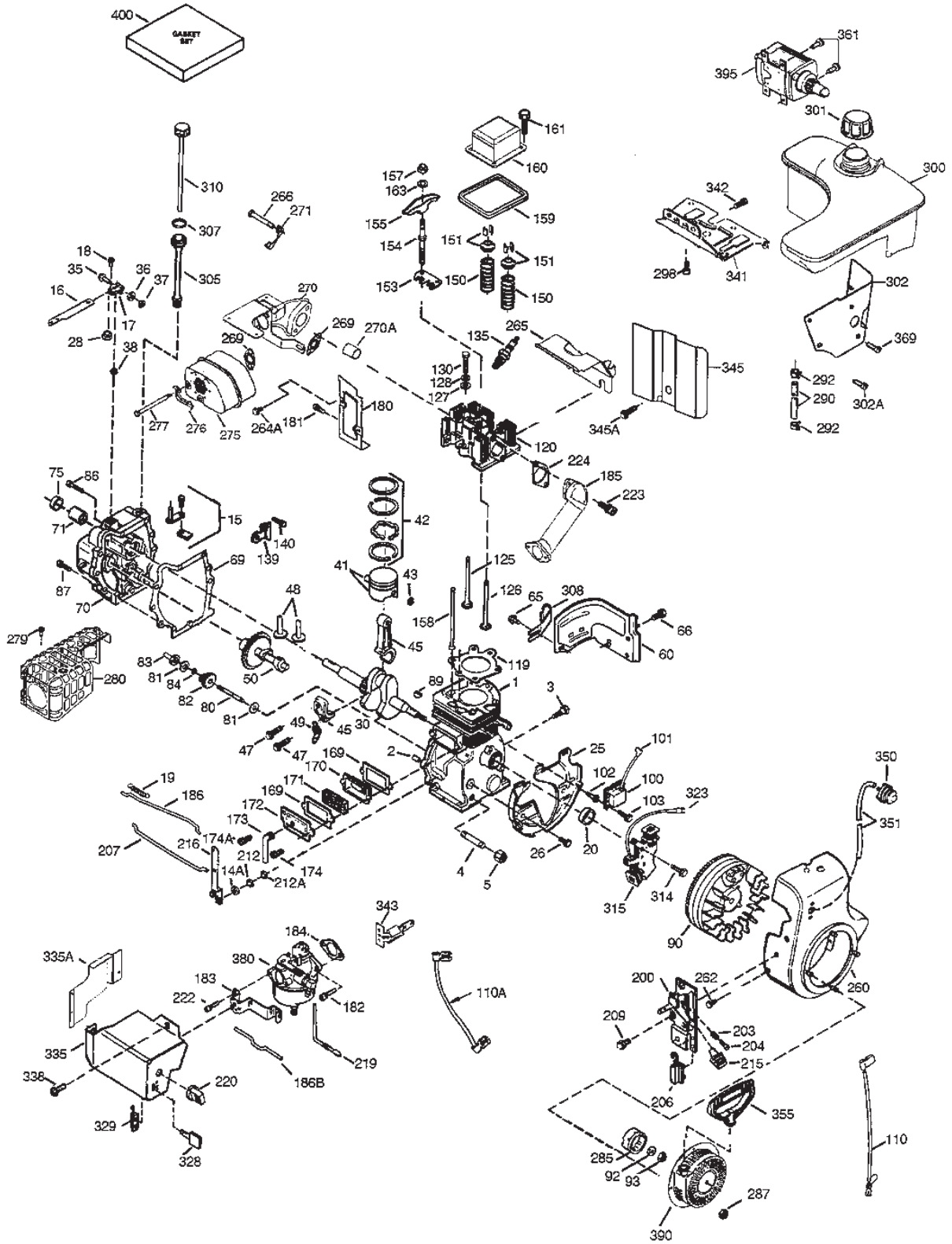
Utgåva Issue 47 - 2014		Fjärreglage Utkast		Chute Control	
Pos. Fig.	Antal Quantity	Art nr Part No	Benämning	Description	Anmärkning Notes
965	1	1812-1364-01	Fjäder	Return Spring	
966	2	1812-1510-01	Planbricka	Flat washer	
967	1	1812-1393-01	Bult	Bolt	
968	1	1812-0730-01	Distans	Spacer	
969	1	9727-3541-22	Mutter	Nut	
970	1	9988-3619-16	Skruv	Screw	
971	1	1812-0581-01	Fäste	Bracket	
972	1	1812-0811-01	Mutter	Nut	
973	1	1133-0148-01	List	Trim,Fender	
974	1	9579-0008-00	Buntband	Cable Holder	
975	1	1812-1465-01	Reglagewire	Chute Control Cable	
980	1	1812-1393-01	Bult	Bolt	
981	1	1812-1475-01	Wirehallare	Wire Form	
982	1	9727-3541-22	Mutter	Nut	
990	1	9988-3745-12	Skruv	Screw	
991	2	9699-0035-02	Bricka	Washer	
992	4	1812-0660-01	Bricka Fjäderbricka	Elastic Washer Spring Washer	
993	1	1812-1418-01	Inställningsspak	Handle Control Handle	
994	1	9795-3731-02	Mutter	Nut	
995	1	1133-0650-01	Handtag	Handle	
996	2	9743-3721-32	Mutter	Nut	



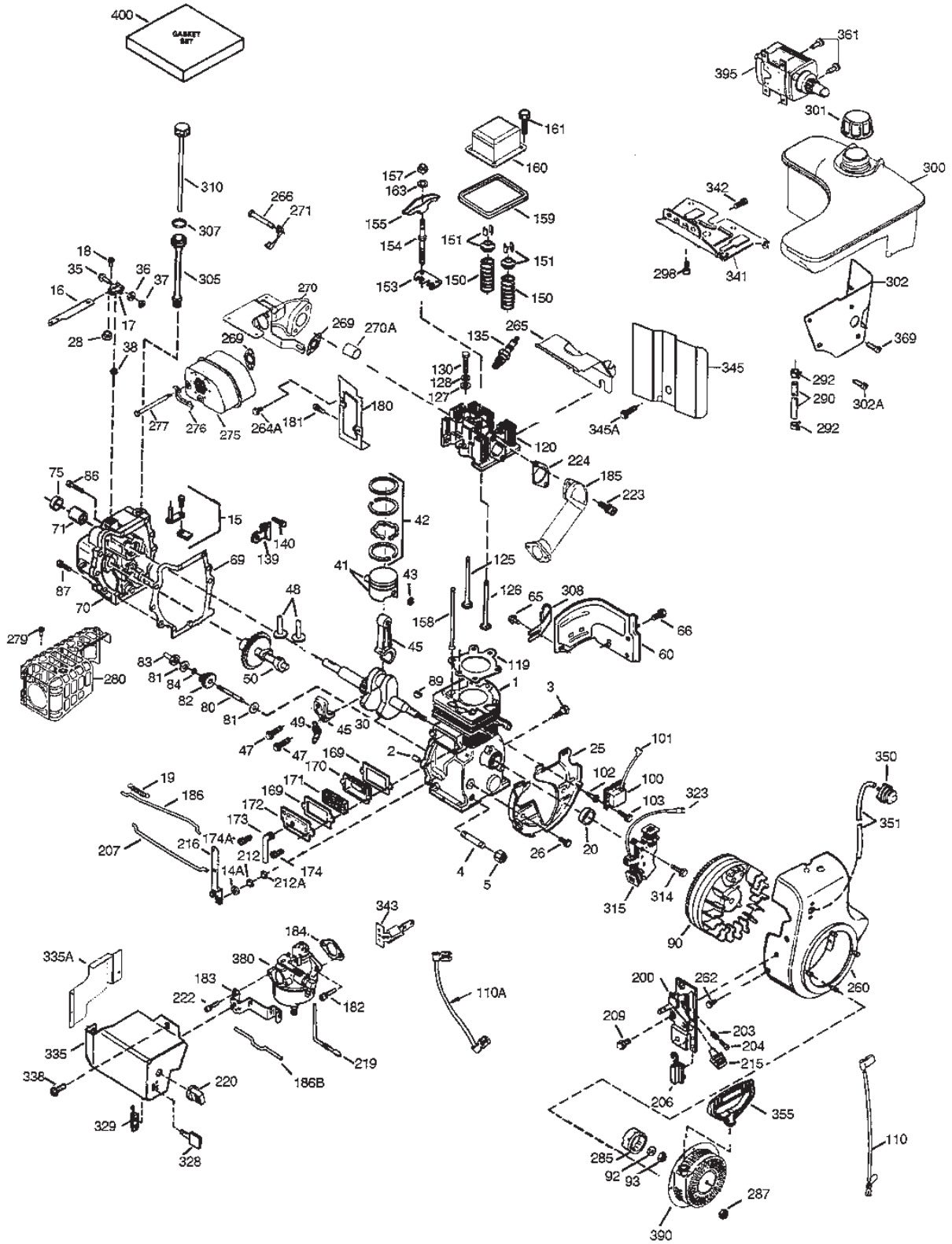
Utgåva Issue 47 - 2014		Utkast Chute			
Pos. Fig.	Antal Quantity	Art nr Part No	Benämning	Description	Anmärkning Notes
580	1	1812-1467-01	Utkastskärm	Upper Chute	
582	2	1133-1023-01	Skruv	Screw	
584	2	9743-3621-32	Mutter	Nut	
585	2	1133-1023-01	Skruv	Screw	
586	4	1812-0667-01	Plastbricka	Washer	
587	2	9743-3621-32	Mutter	Nut	
600	1	1812-1473-01	Utkaströr	Lower Chute	
601	3	9899-3625-16	Skruv	Screw	
602	3	9699-0029-02	Bricka	Washer	
603	3	9743-3621-32	Mutter	Nut	
604	1	1812-1569-01	Skyddstunga	Chute Flap Flap	
605	3	1812-1462-01	Popnit	Pop Rivet	
606	1	1812-1336-01	Utkastplatta	Chute Rotate Collar	
607	4	9988-3519-16	Skruv	Screw	
608	8	9699-0028-02	Bricka	Washer	
609	4	9743-3521-32	Mutter	Nut	
610	1	1812-1366-01	Utkastring-inre	Chute rot. ring-inner	
611	1	1812-1332-01	Utkastring-Yttre	Chute Rotate Ring-Outer	



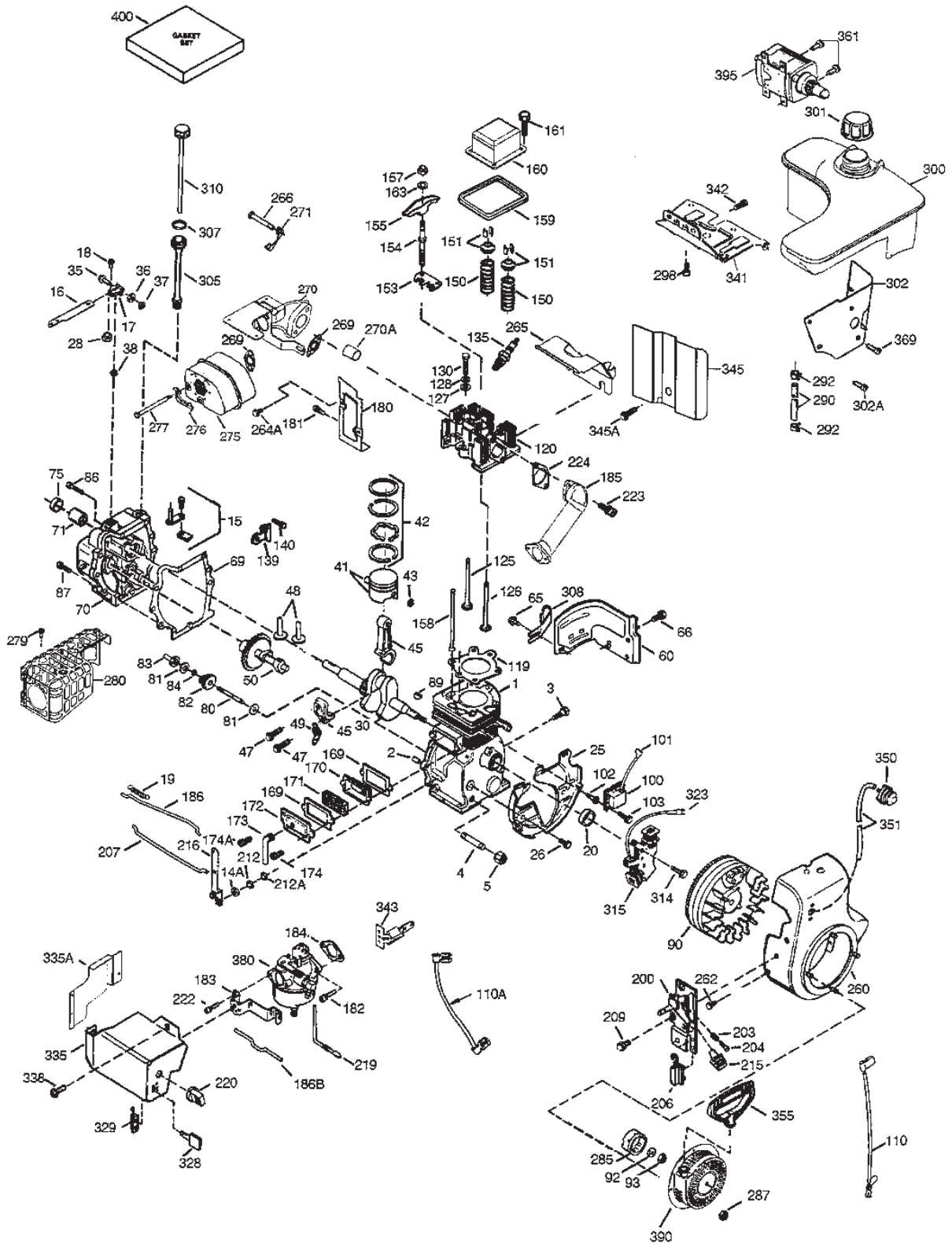
Utgåva Issue 47 - 2014		Tecumseh Oh90		Tecumseh Oh90	
Pos. Fig.	Antal Quantity	Art nr Part No	Benämning	Description	Anmärkning Notes
1	1	37251	Cylinder kpl	Cylinder Assy	Inkl. pos 2, 20
2	2	27652	Styrpinne	Dowel pin	
3	2	650820	Shoulder bolt	Shoulder bolt	
4	1	31857	Avtappningsrör	Oil pipe	
5	1	30969	Cap	Cap	
14	1	651057	Bricka	Washer	
15	1	30699C	Governor rod	Governor rod	
16	1	37255	Governor lever	Governor lever	
17	1	29916	Clamp	Clamp	
18	1	651028	Skruv	Screw	
19	1	36281	Fjäder	Spring	
20	1	35319	Oil seal	Oil seal	
25	1	36460	Baffle	Baffle	
26	2	650561	Skruv	Screw	
28	1	30322	Mutter	Nut	
30	1	37344	Crankshaft	Crankshaft	
35	1	29826	Skruv	Screw	
36	1	29918	Bricka	Washer	
37	1	29216	Mutter	Nut	
38	1	29642	Retaining ring	Retaining ring	
41	1	40009	Kolvssprint	Piston Pin	Inkl. pos 43
42	1	40013	Ring set	Ring set	
43	2	27888	Retaining ring	Retaining ring	
45	1	36897	Connecting Rod	Connecting Rod	Inkl. pos 47, 49
47	2	651033	Bult	Bolt	
48	2	35313	Valve lifter	Valve lifter	
49	1	36896	Oil dipper	Oil dipper	
50	1	35682A	Kamaxel	Camshaft	
60	1	35316A	Blower housing ext.	Blower housing ext.	
65	1	30200	Skruv	Screw	
66	1	30063	Skruv	Screw	
69	1	35262A	Packning	Gasket	
70	1	37273	Vevhusgavel kpl	Cover assy	Inkl. 15,38,71-75
71	1	35377	Bearing	Bearing	
75	1	35319	Oil seal	Oil seal	
80	1	31845	Use MAS-031845 Governor shaft	Use MAS-031845 Governor shaft	
81	1	30590A	Bricka	Flat washer	
82	1	35378	Gear	Gear	
83	1	30588A	Spool	Spool	
84	1	29193	Retaining ring	Retaining ring	
86	7	650833	Skruv	Screw	
87	1	650832	Skruv	Screw	
89	1	32589	Kil	Key	
90	1	611093	Flywheel	Flywheel	
92	1	650880	Bricka	Washer	
93	1	650881	Mutter	Nut	
100	1	35135	Solid state ignition	Solid state ignition	
101	1	610118	Spark plug cover	Spark plug cover	
102	2	651024	Stud	Stud	



Utgåva Issue 47 - 2014		Tecumseh Oh90		Tecumseh Oh90	
Pos. Fig.	Antal Quantity	Art nr Part No	Benämning	Description	Anmärkning Notes
103	2	651007	Skruv	Screw	
110	1	37047	Ground wire	Ground wire	
110	1	35187	Ground wire	Ground wire	
119	1	37256	Packning	Gasket	
120	1	37258	Topplöck	Cylinder Head	
125	1	36934	Exhaust valve	Exhaust valve	
126	1	36935	Insugningsventil	Intake valve	
127	6	650691	Bricka	Washer	
128	6	650690	Bricka	Washer	
130	6	650697A	Skruv	Screw	
135	1	34645	Tändstift	Spark plug	Champion N4C
139	1	33369	Fäste	Bracket	
140	1	650836	Skruv	Screw	
150	2	33507	Valve spring	Valve spring	
151	2	33508	Valve spring keeper	Valve spring keeper	
153	1	35949	Stötstangsledare	Push rod guide	
154	2	650945	Pinnbult	Rocker arm stud	
155	2	35950	Vipparm	Rocker arm	
157	2	650947	Lasmutter	Nut	
158	2	35466	Stötstang	Push rod	
159	1	35952	Packning	Gasket	
160	1	35953A	Ventilkapa	Rocker arm cover	
161	4	30063	Skruv	Screw	
163	2	650890	Bricka	Washer	
169	2	27896A	Packning	Gasket	
170	1	28423	Breather body	Breather body	
171	1	28424	Breather element	Breather element	
172	1	28425	Cover	Cover	
173	1	35350	Rör	Tube	
174	1	651056	Skruv	Screw	
174	2	650128	Skruv	Screw	
180	1	35954	Blower housing ext.	Blower housing ext.	
181	2	30200	Skruv	Screw	
182	2	650517	Skruv	Screw	
183	1	34583A	Choke bracket	Choke bracket	
184	1	33263	Packning	Gasket	
185	1	37085	Intake pipe	Intake pipe	
186	1	36653	Choke spring	Choke spring	
186	1	37261	Governor link	Governor link	
200	1	35702	Fäste	Control Bracket	Inkl. 203-204, 206
203	1	31342	Fjäder	Spring	
204	1	651029	Skruv	Screw	
206	1	610973	Terminal	Terminal	
207	1	37262	Reglagelänk	Control link	
209	2	650821	Skruv	Screw	
212	1	36288	Bussning	Bushing	
212	1	30773A	Bussning	Bushing	
215	1	35440	Knopp	Knob	
216	1	37260	Spak	Lever	

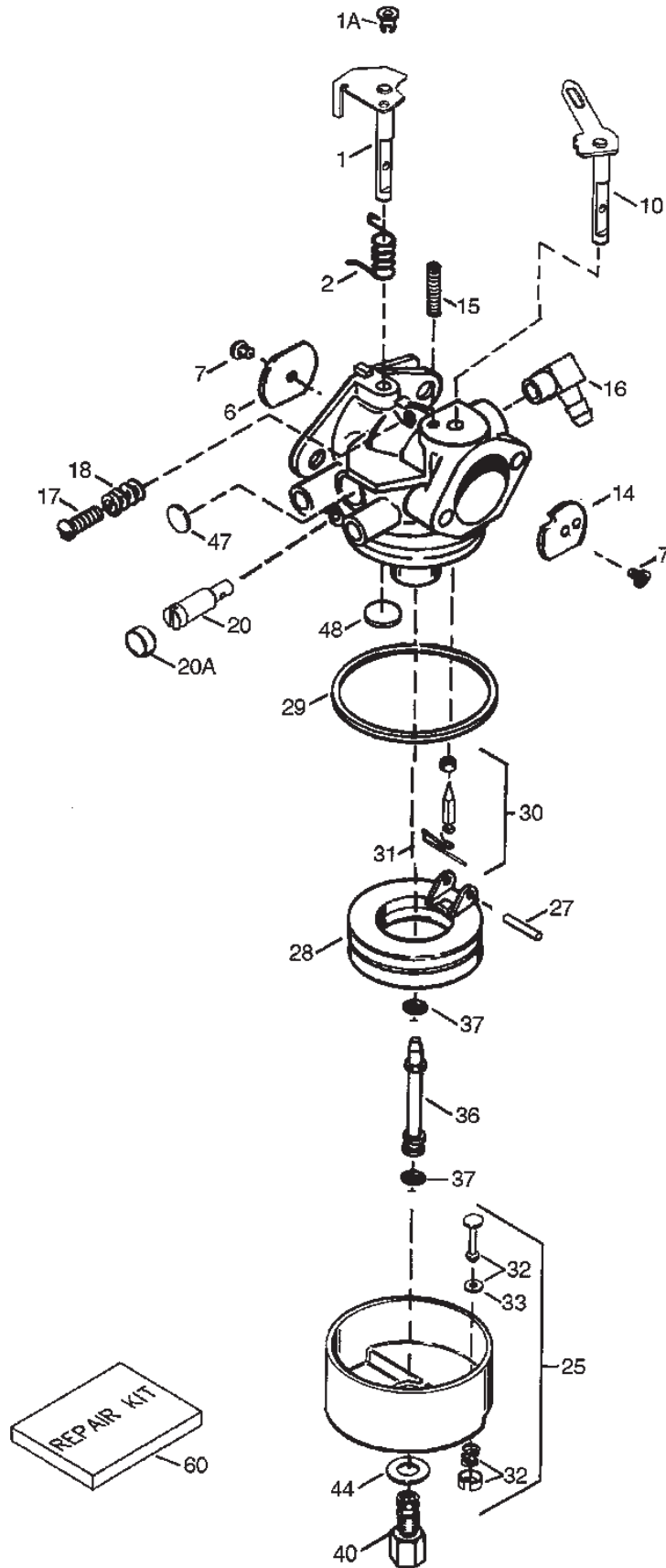


Utgåva Issue 47 - 2014		Tecumseh Oh90		Tecumseh Oh90	
Pos. Fig.	Antal Quantity	Art nr Part No	Benämning	Description	Anmärkning Notes
219	1	35689	Choke rod	Choke rod	
220	1	35438	Reglageknopp	Knob	
222	2	28820	Skruv	Screw	
223	2	650971	Skruv	Screw	
224	1	33515A	Packning	Gasket	
260	1	37092A	Blower housing	Blower housing	
262	2	29747B	Skruv	Screw	
264	1	650738	Skruv	Screw	
265	1	37086	Ventilkapa kpl	Cylinder Head Cover	
266	2	650876	Skruv	Screw	
269	2	35762	Packning	Gasket	
270	1	35829A	Hylsa	Exhaust port liner	
270	1	37263	Grenrör	Exhaust manifold	
271	1	35293	Lasbleck	Lock plate	
275	1	37264	Ljuddämpare	Muffler	
276	1	35348	Lasplatta	Locking plate	
277	2	650877	Skruv	Screw	
279	4	650821	Skruv	Screw	
280	1	37265	Värmskydd	Heat shield	
285	1	35985B	Starter hub	Starter hub	
287	4	29752	Mutter	Nut	
290	1	30962	Fuel line	Fuel line	
292	2	26460	Clamp	Clamp	
298	2	650665	Skruv	Screw	
300	1	37099	Fuel tank	Fuel tank	Inkl. pos 292, 301
301	1	36246	Fuel cap	Fuel cap	
302	3	650821	Skruv	Screw	
302	1	37098	Fuel tank extension	Fuel tank extension	
305	1	35574	Oljepåfyllningsrör	Oil fill tube	
307	1	35499	O-ring	O-ring	
308	1	35539	Clip	Clip	
310	1	35700	Oil dipstick	Oil dipstick	
314	2	650873	Skruv	Screw	
315	1	611111	Generator	Alternator coil	Inkl. pos 323
323	1	611118	Connector body	Connector body	
328	2	35062	Tändningsnyckel	Ignition Key	
329	1	610973	Terminal	Terminal	
335	1	37087	Förgasarkapa	Carburettor Cover	
335	1	37096	Förgasarkapa	Carburettor Cover	
338	4	650821	Skruv	Screw	
341	1	37093	Fuel tank bracket	Fuel tank bracket	
342	2	792028	Skruv	Screw	
343	1	35079	Fäste	Key switch bracket	
345	1	650821	Skruv	Screw	
345	1	37097	Värmskydd	Heat baffle	
350	1	570682A	Primer	Primer assy	
351	1	32180C	Primerslang	Primer line	
355	1	590574	Styrplåt kpl	Starter handle	
361	2	650990	Skruv	Screw	



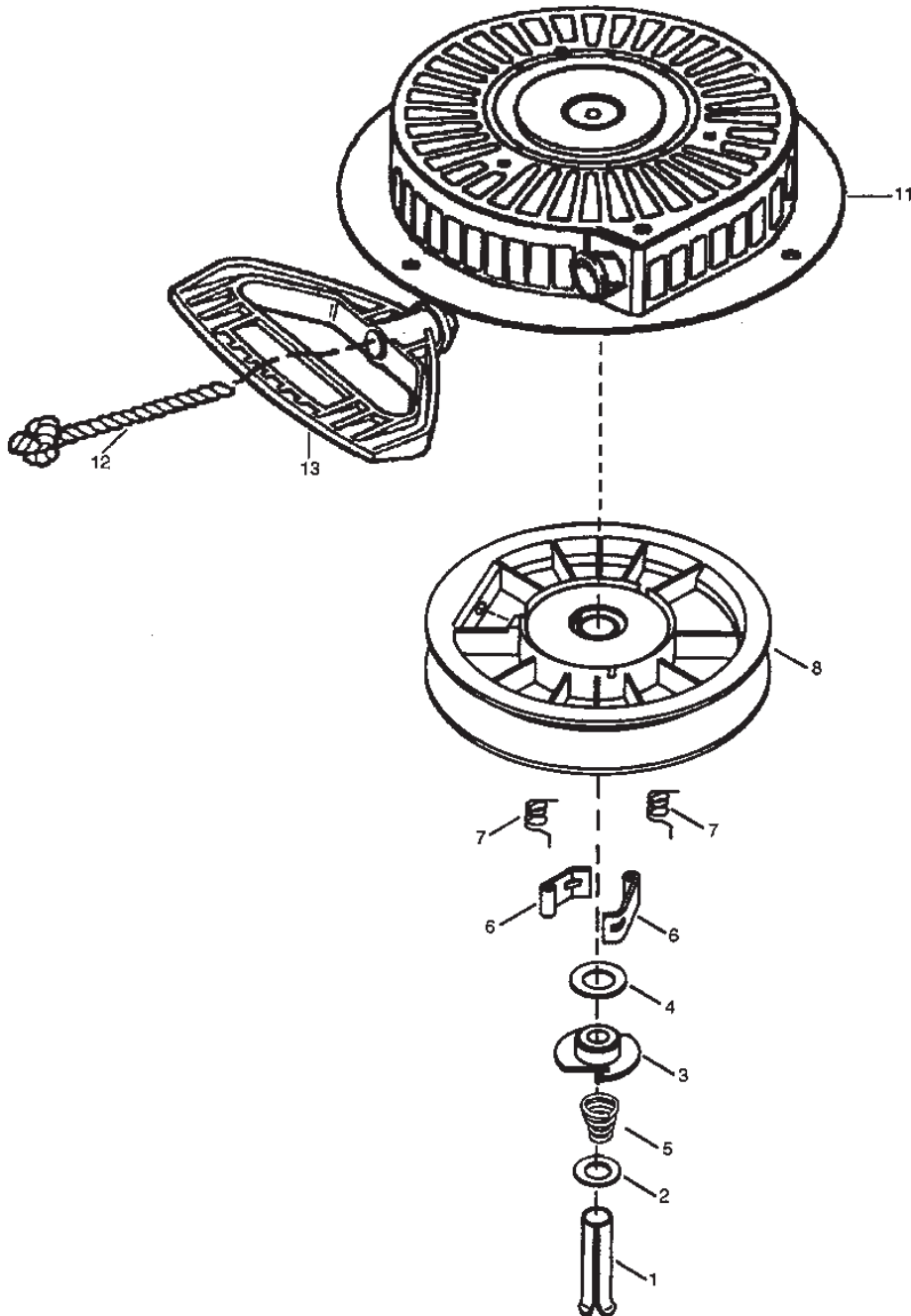
Utgåva Issue 47 - 2014		Tecumseh Oh90			
Pos. Fig.	Antal Quantity	Art nr Part No	Benämning	Description	Anmärkning Notes
369	2	651032	Skruv	Screw	
380	1	640169	Förgasare kpl	Carburettor Assy	Inkl. pos 184
390	1	590749	Starter assy	Starter assy	
395	1	37102	Startmotor kpl	Starter motor assy	230 Volt
400	1	37257	Packningssats	Gasket set	

640169



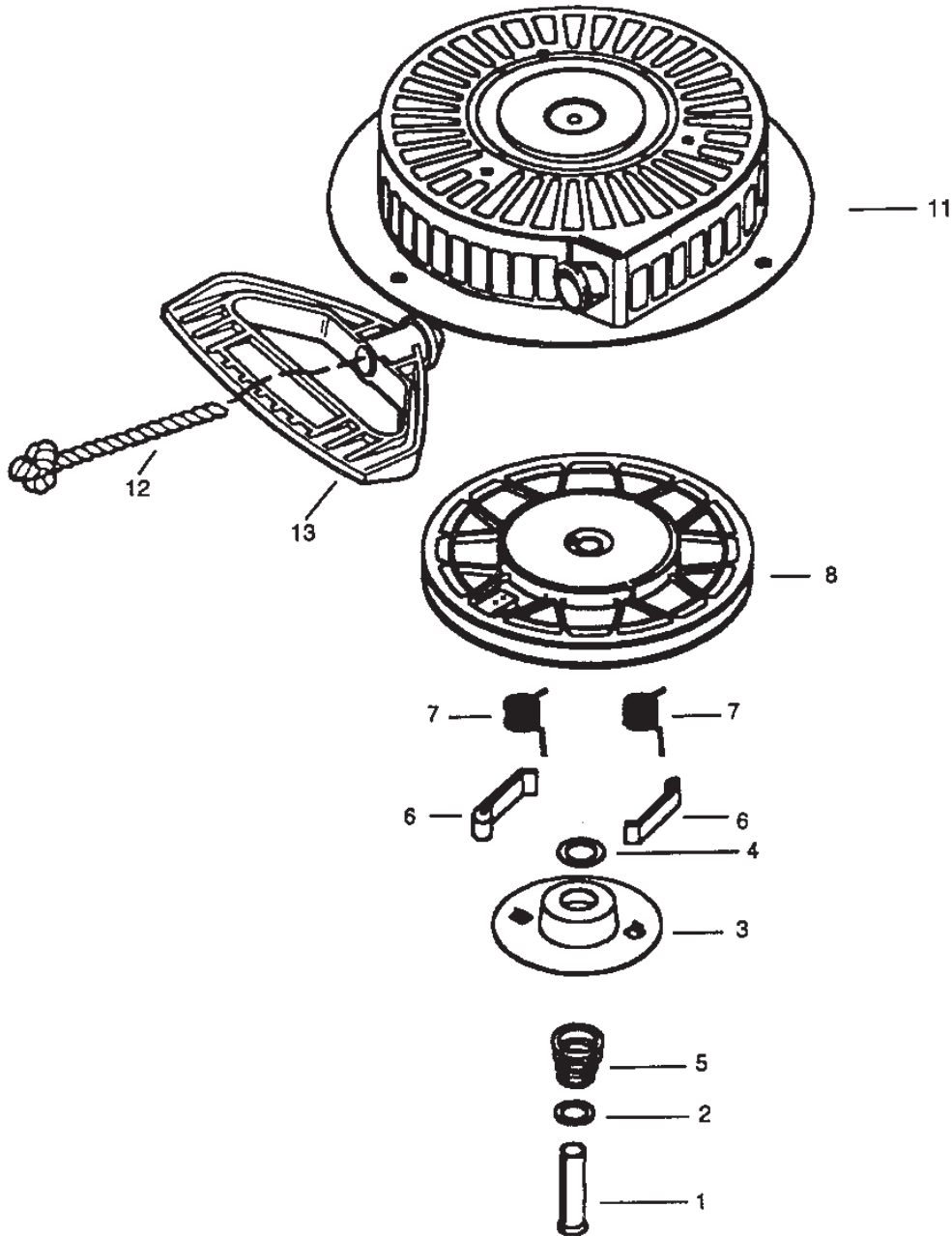
Utgåva Issue 47 - 2014		Tecumseh Oh90 Förgasare		Tecumseh Oh90 Carbuettor	
Pos. Fig.	Antal Quantity	Art nr Part No	Benämning	Description	Anmärkning Notes
1	1	632777	Spjällsaxeln	Throttle Shaft	
1	1	36288	Bussning	Bushing	
2	1	631970	Fjäder	Spring	
6	1	640109	Gasspjäll	Throttle Shutter	
7	2	650506	Skruv	Screw	
10	1	632778	Choke shaft	Choke shaft	
14	1	631753	Choke shutter	Choke shutter	
14	1	632189	Choke shutter	Choke shutter	
15	1	630735	Fjäder	Spring	
16	1	632527	Nippel	Fuel fitting	
17	1	651025	Skruv	Screw	
18	1	630766	Fjäder	Spring	
20	1	640053	Skruv	Screw	
20	1	640027	Skruv	Screw	
25	1	632594A	Flottörhus kpl	Float bowl assy	Inkl. pos 32, 33
27	1	631024	Flottöraxel	Float shaft	
28	1	632019	Flottör	Float	
28	1	632802	Flottör	Float	
29	1	631028	O-ring	O-ring	
30	1	631021	Nalventil kpl	Inlet needle assy	Inkl. pos 31
31	1	631022	Fjäder	Spring clip	
32	1	27136A	Bowl drain	Bowl drain	
33	1	27554	Packning	Gasket	
36	1	640013	Main nozzle tube	Main nozzle tube	
37	2	632547	O-ring	O-ring	
40	1	640170	Mutter	Nut	
44	1	27110A	Packning	Gasket	
47	1	630748	Welch plug	Welch plug	
48	1	631027	Welch plug	Welch plug	
60	1	632760	Reparationssats	Repair Kit	Märkt/marked F

590749

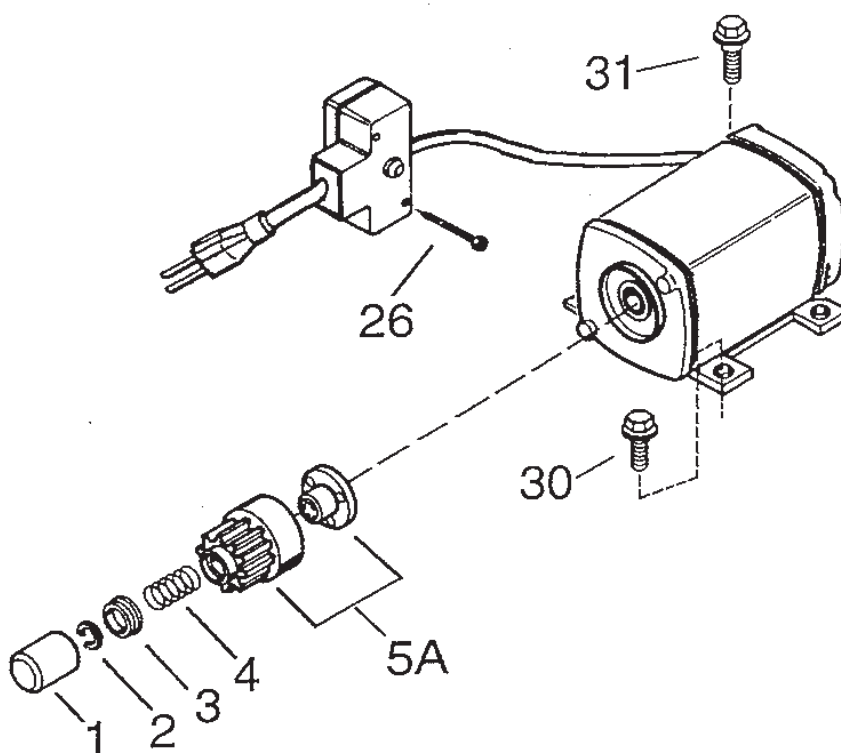


Utgåva Issue 47 - 2014		Tecumseh Hm80-Hm100 Snörstart		Tecumseh Hm80-Hm100 Rewind Starter	
Pos. Fig.	Antal Quantity	Art nr Part No	Benämning	Description	Anmärkning Notes
1	1	590599A	Stift	Pin	Inkl. pos 4
2	1	590600	Bricka	Washer	
3	1	590679	Hallare	Retainer	
4	1	590601	Bricka	Washer	
5	1	590678	Bromsfjäder	Brake Spring	
6	2	590680	Starter dog	Starter dog	
7	2	590412	Fjäder	Dog spring	
8	1	590682	Pulley and spring	Pulley and spring	
11	1	590750	Starthus	Starter housing	
11	1	590750A	Starthus	Starter housing	
12	1	590535	Startsnöre	Starter Rope	
13	1	590574	Styrplat kpl	Starter handle	

590733



Utgåva Issue 47 - 2014		Tecumseh Hm80-Hm100 Snörstart (Optional)		Tecumseh Hm80-Hm100 Rewind Starter (Optional)	
Pos. Fig.	Antal Quantity	Art nr Part No	Benämning	Description	Anmärkning Notes
1	1	590599A	Stift	Pin	Inkl. pos 4
2	1	590600	Bricka	Washer	
3	1	590696	Hallare	Retainer	
4	1	590601	Bricka	Washer	
5	1	590697	Fjäder	Spring	
6	2	590698	Starter dog	Starter dog	
7	2	590699	Fjäder	Spring	
8	1	590709	Pulley and spring	Pulley and spring	
11	1	590734	Starthus	Starter housing	
11	1	590734A	Starthus	Starter housing	
12	1	590535	Startsnöre	Starter Rope	
13	1	590574	Styrplat kpl	Starter handle	



Utgåva Issue 47 - 2014		El.Starter Kit 230V			
Pos. Fig.	Antal Quantity	Art nr Part No	Benämning	Description	Anmärkning Notes
0	1	37102	Startmotor kpl	Starter motor assy	
1	1	33451	Dammskydd	Dust Cover	
2	1	33842	Retainer ring	Retainer ring	
3	1	33430	Spring retainer	Spring retainer	
4	1	33431	Fjäder	Spring	
5	1	37050	Lasmutter	Nut	Inkl. pos 2
26	2	650819	Skruv	Screw	
30	2	30063	Skruv	Screw	
31	2	650820	Shoulder bolt	Shoulder bolt	

code	pos.	q.ty	page											
9683-0025-02	228	1	p. 13	9988-3519-16	229	1	p. 13	35316A	60	1	p. 27			
9683-0030-02	13	4	p. 9	9988-3519-16	607	4	p. 25	35319	20	1	p. 27			
9683-0030-02	43	1	p. 9	9988-3519-16	666	6	p. 15	35319	75	1	p. 27			
9683-0030-02	543	4	p. 17	9988-3557-12	653	1	p. 15	35348	276	1	p. 31			
9683-0030-02	702	2	p. 15	9988-3619-16	493	3	p. 17	35350	173	1	p. 29			
9683-0030-02	752	2	p. 3	9988-3619-16	796	1	p. 3	35377	71	1	p. 27			
9683-0030-02	797	1	p. 3	9988-3619-16	970	1	p. 23	35378	82	1	p. 27			
9683-0030-02	807	1	p. 3	9988-3638-12	12	4	p. 9	35438	220	1	p. 31			
9683-0030-02	809	1	p. 3	9988-3732-12	146	1	p. 11	35440	215	1	p. 29			
9683-0035-02	68	1	p. 9	9988-3745-12	990	1	p. 23	35466	158	2	p. 29			
9683-0035-02	726	4	p. 3	9988-3751-12	723	2	p. 3	35499	307	1	p. 31			
9699-0028-02	162	4	p. 11	9988-3764-12	724	2	p. 3	35539	308	1	p. 31			
9699-0028-02	608	8	p. 25	9988-3764-12	771	1	p. 3	35574	305	1	p. 31			
9699-0028-02	711	2	p. 15	26460	292	2	p. 31	35682A	50	1	p. 27			
9699-0029-02	542	4	p. 17	27110A	44	1	p. 35	35689	219	1	p. 31			
9699-0029-02	602	3	p. 25	27136A	32	1	p. 35	35700	310	1	p. 31			
9699-0029-02	803	1	p. 3	27554	33	1	p. 35	35702	200	1	p. 29			
9699-0035-02	706	2	p. 15	27652	2	2	p. 27	35762	269	2	p. 31			
9699-0035-02	725	6	p. 3	27888	43	2	p. 27	35829A	270	1	p. 31			
9699-0035-02	773	1	p. 3	27896A	169	2	p. 29	35949	153	1	p. 29			
9699-0035-02	864	1	p. 21	28423	170	1	p. 29	35950	155	2	p. 29			
9699-0035-02	866	1	p. 21	28424	171	1	p. 29	35952	159	1	p. 29			
9699-0035-02	991	2	p. 23	28425	172	1	p. 29	35953A	160	1	p. 29			
9699-0038-02	217	2	p. 13	28820	222	2	p. 31	35954	180	1	p. 29			
9699-0038-02	244	2	p. 13	29193	84	1	p. 27	35985B	285	1	p. 31			
9699-0038-02	483	1	p. 17	29216	37	1	p. 27	36246	301	1	p. 31			
9727-3541-22	667	6	p. 15	29642	38	1	p. 27	36281	19	1	p. 27			
9727-3541-22	969	1	p. 23	29747B	262	2	p. 31	36288	1	1	p. 35			
9727-3541-22	982	1	p. 23	29752	287	4	p. 31	36288	212	1	p. 29			
9743-3521-32	609	4	p. 25	29826	35	1	p. 27	36460	25	1	p. 27			
9743-3521-32	654	1	p. 15	29916	17	1	p. 27	36653	186	1	p. 29			
9743-3521-32	713	2	p. 15	29918	36	1	p. 27	36896	49	1	p. 27			
9743-3521-32	745	2	p. 3	30063	30	2	p. 41	36897	45	1	p. 27			
9743-3621-32	584	2	p. 25	30063	66	1	p. 27	36934	125	1	p. 29			
9743-3621-32	587	2	p. 25	30063	161	4	p. 29	36935	126	1	p. 29			
9743-3621-32	603	3	p. 25	30200	65	1	p. 27	37047	110	1	p. 29			
9743-3721-32	149	2	p. 11	30200	181	2	p. 29	37050	5	1	p. 41			
9743-3721-32	774	1	p. 3	30322	28	1	p. 27	37085	185	1	p. 29			
9743-3721-32	863	2	p. 21	30588A	83	1	p. 27	37086	265	1	p. 31			
9743-3721-32	867	1	p. 21	30590A	81	1	p. 27	37087	335	1	p. 31			
9743-3721-32	996	2	p. 23	30699C	15	1	p. 27	37092A	260	1	p. 31			
9743-5121-02	304	8	p. 19	30773A	212	1	p. 29	37093	341	1	p. 31			
9743-5421-32	484	1	p. 17	30962	290	1	p. 31	37096	335	1	p. 31			
9794-5131-02	805	1	p. 3	30969	5	1	p. 27	37097	345	1	p. 31			
9794-5131-02	810	1	p. 3	31342	203	1	p. 29	37098	302	1	p. 31			
9795-3531-02	249	3	p. 13	31845	80	1	p. 27	37099	300	1	p. 31			
9795-3531-02	785	1	p. 3	31857	4	1	p. 27	37102	0	1	p. 41			
9795-3631-02	499	3	p. 17	32180C	351	1	p. 31	37102	395	1	p. 33			
9795-3631-02	514	5	p. 17	32589	89	1	p. 27	37251	1	1	p. 27			
9795-3631-02	544	4	p. 17	33263	184	1	p. 29	37255	16	1	p. 27			
9795-3631-02	703	2	p. 15	33369	139	1	p. 29	37256	119	1	p. 29			
9795-3631-02	798	1	p. 3	33430	3	1	p. 41	37257	400	1	p. 33			
9795-3731-02	727	4	p. 3	33431	4	1	p. 41	37258	120	1	p. 29			
9795-3731-02	813	1	p. 5	33451	1	1	p. 41	37260	216	1	p. 29			
9795-3731-02	994	1	p. 23	33507	150	2	p. 29	37261	186	1	p. 29			
9899-3622-16	511	5	p. 17	33508	151	2	p. 29	37262	207	1	p. 29			
9899-3622-16	541	4	p. 17	33515A	224	1	p. 31	37263	270	1	p. 31			
9899-3625-16	601	3	p. 25	33842	2	1	p. 41	37264	275	1	p. 31			
9899-3732-16	110	1	p. 11	34583A	183	1	p. 29	37265	280	1	p. 31			
9987-5125-16	44	1	p. 9	34645	135	1	p. 29	37273	70	1	p. 27			
9987-5125-16	303	7	p. 19	35062	328	2	p. 31	37344	30	1	p. 27			
9987-5145-12	305	1	p. 19	35079	343	1	p. 31	40009	41	1	p. 27			
9988-3516-16	91	4	p. 11	35135	100	1	p. 27	40013	42	1	p. 27			
9988-3516-16	161	4	p. 11	35187	110	1	p. 29	570682A	350	1	p. 31			
9988-3516-16	196	1	p. 13	35262A	69	1	p. 27	590412	7	2	p. 37			
9988-3516-16	247	3	p. 13	35293	271	1	p. 31	590535	12	1	p. 37			
				35313	48	2	p. 27	590535	12	1	p. 39			

code	pos.	q.ty	page				
590574	13	1	p. 37	650821	209	2	p. 29
590574	13	1	p. 39	650821	279	4	p. 31
590574	355	1	p. 31	650821	302	3	p. 31
590599A	1	1	p. 37	650821	338	4	p. 31
590599A	1	1	p. 39	650821	345	1	p. 31
590600	2	1	p. 37	650832	87	1	p. 27
590600	2	1	p. 39	650833	86	7	p. 27
590601	4	1	p. 37	650836	140	1	p. 29
590601	4	1	p. 39	650873	314	2	p. 31
590678	5	1	p. 37	650876	266	2	p. 31
590679	3	1	p. 37	650877	277	2	p. 31
590680	6	2	p. 37	650880	92	1	p. 27
590682	8	1	p. 37	650881	93	1	p. 27
590696	3	1	p. 39	650890	163	2	p. 29
590697	5	1	p. 39	650945	154	2	p. 29
590698	6	2	p. 39	650947	157	2	p. 29
590699	7	2	p. 39	650971	223	2	p. 31
590709	8	1	p. 39	650990	361	2	p. 31
590734	11	1	p. 39	651007	103	2	p. 29
590734A	11	1	p. 39	651024	102	2	p. 27
590749	390	1	p. 33	651025	17	1	p. 35
590750	11	1	p. 37	651028	18	1	p. 27
590750A	11	1	p. 37	651029	204	1	p. 29
610118	101	1	p. 27	651032	369	2	p. 33
610973	206	1	p. 29	651033	47	2	p. 27
610973	329	1	p. 31	651056	174	1	p. 29
611093	90	1	p. 27	651057	14	1	p. 27
611111	315	1	p. 31	792028	342	2	p. 31
611118	323	1	p. 31				
630735	15	1	p. 35				
630748	47	1	p. 35				
630766	18	1	p. 35				
631021	30	1	p. 35				
631022	31	1	p. 35				
631024	27	1	p. 35				
631027	48	1	p. 35				
631028	29	1	p. 35				
631753	14	1	p. 35				
631970	2	1	p. 35				
632019	28	1	p. 35				
632189	14	1	p. 35				
632527	16	1	p. 35				
632547	37	2	p. 35				
632594A	25	1	p. 35				
632760	60	1	p. 35				
632777	1	1	p. 35				
632778	10	1	p. 35				
632802	28	1	p. 35				
640013	36	1	p. 35				
640027	20	1	p. 35				
640053	20	1	p. 35				
640109	6	1	p. 35				
640169	380	1	p. 33				
640170	40	1	p. 35				
650128	174	2	p. 29				
650506	7	2	p. 35				
650517	182	2	p. 29				
650561	26	2	p. 27				
650665	298	2	p. 31				
650690	128	6	p. 29				
650691	127	6	p. 29				
650697A	130	6	p. 29				
650738	264	1	p. 31				
650819	26	2	p. 41				
650820	3	2	p. 27				
650820	31	2	p. 41				