



Reservdelskatalog Parts Catalogue

524 SNOW THROWER

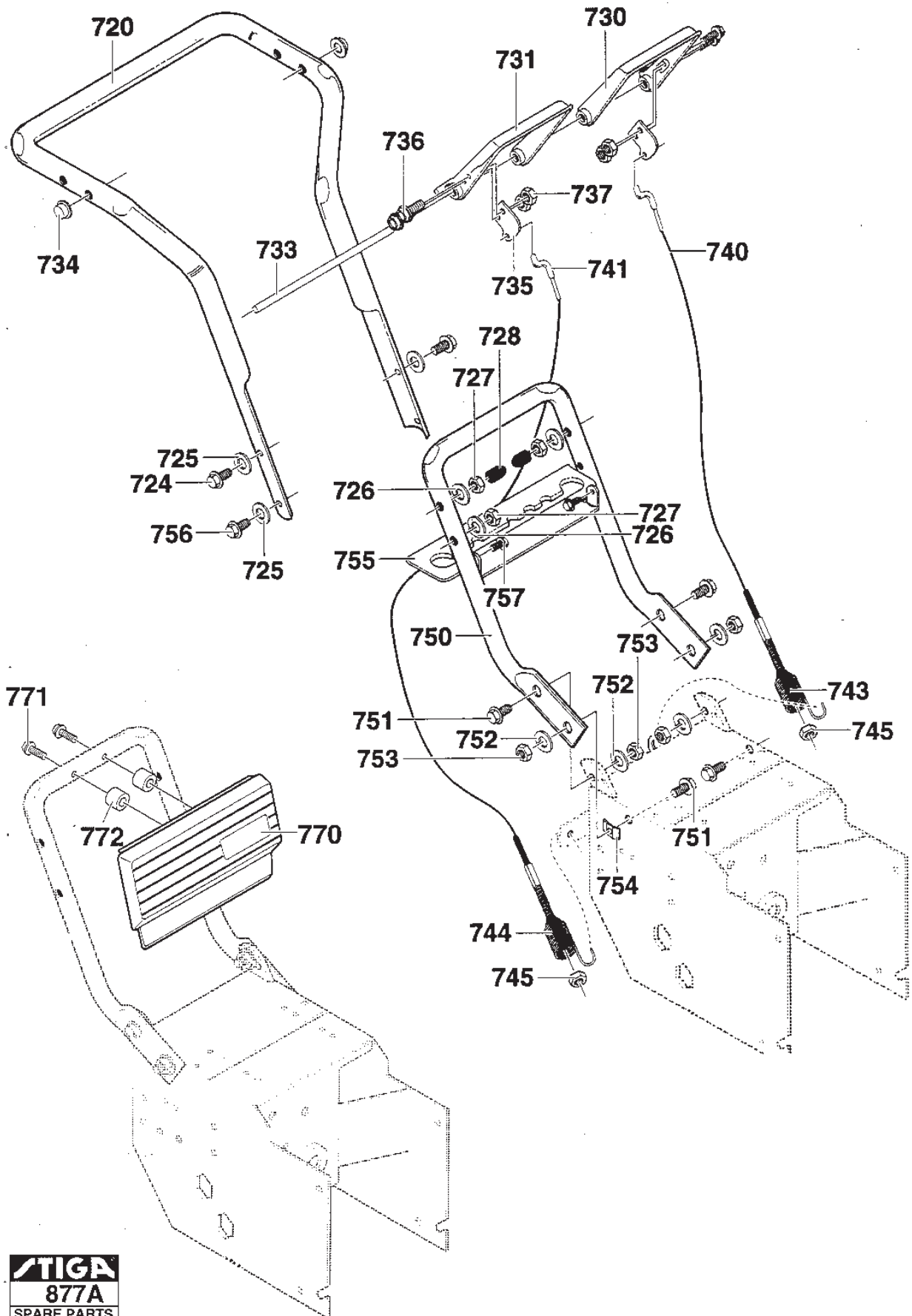
18-2824-20 - Season 1999

- Use GLOBAL GARDEN PRODUCT Genuine Spare Parts specified in the parts list for repair and/or replacement.
 - The contents described in the parts list may change due to improvement.
 - The drawings of the spare parts are only indicative and might not represent the part in question exactly.
 - The indications "right" - "left" - "front" - "rear" refer to the position of the operator when using the machine.
- When placing orders of parts for repair and/or replacement, make sure that the illustrated parts list is the one applying to the machine's year of manufacture, as shown on the identification plate attached to the machine.

© Copyright 2014 Global Garden Products

All rights reserved. No part of this material may be reproduced or transmitted, in any form or by any means, electronic or mechanical, including photocopying, recording or by any information storage and retrieval system, without permission in writing from GLOBAL GARDEN PRODUCTS.

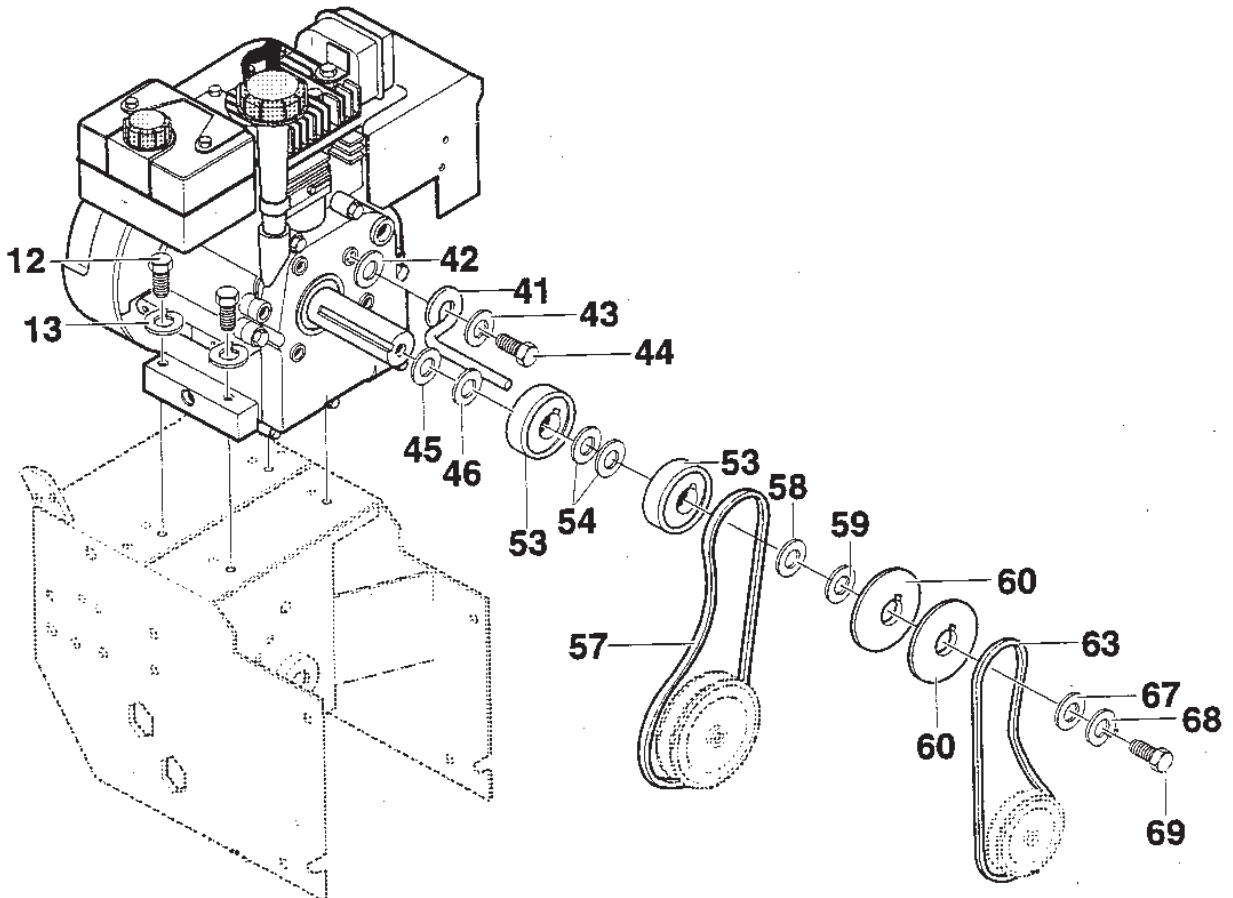
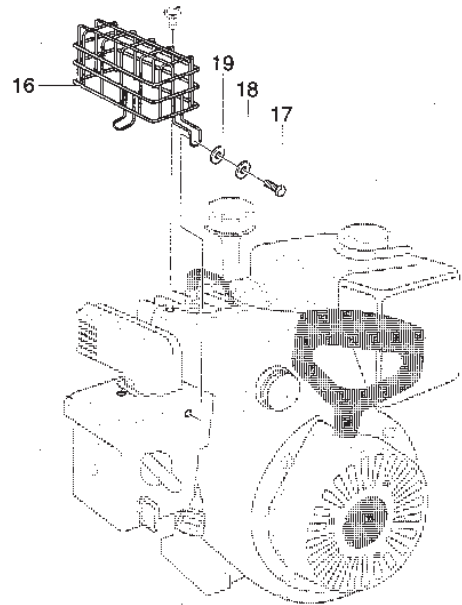
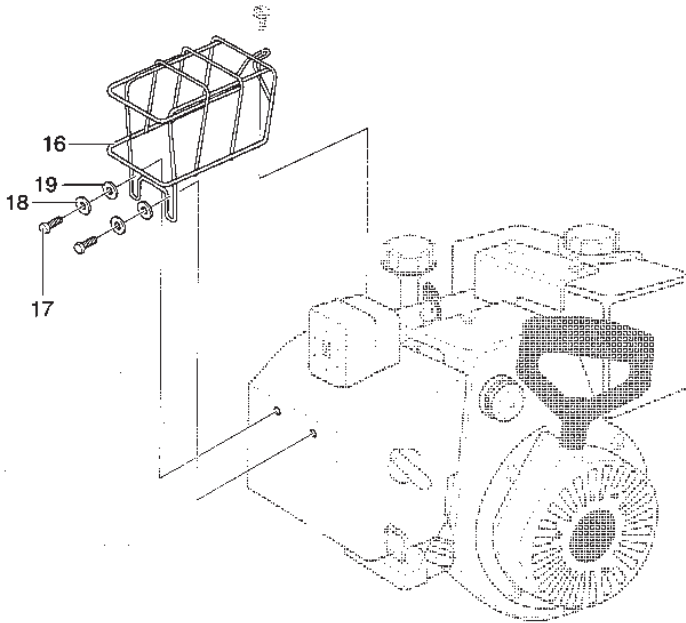
www.stiga.com



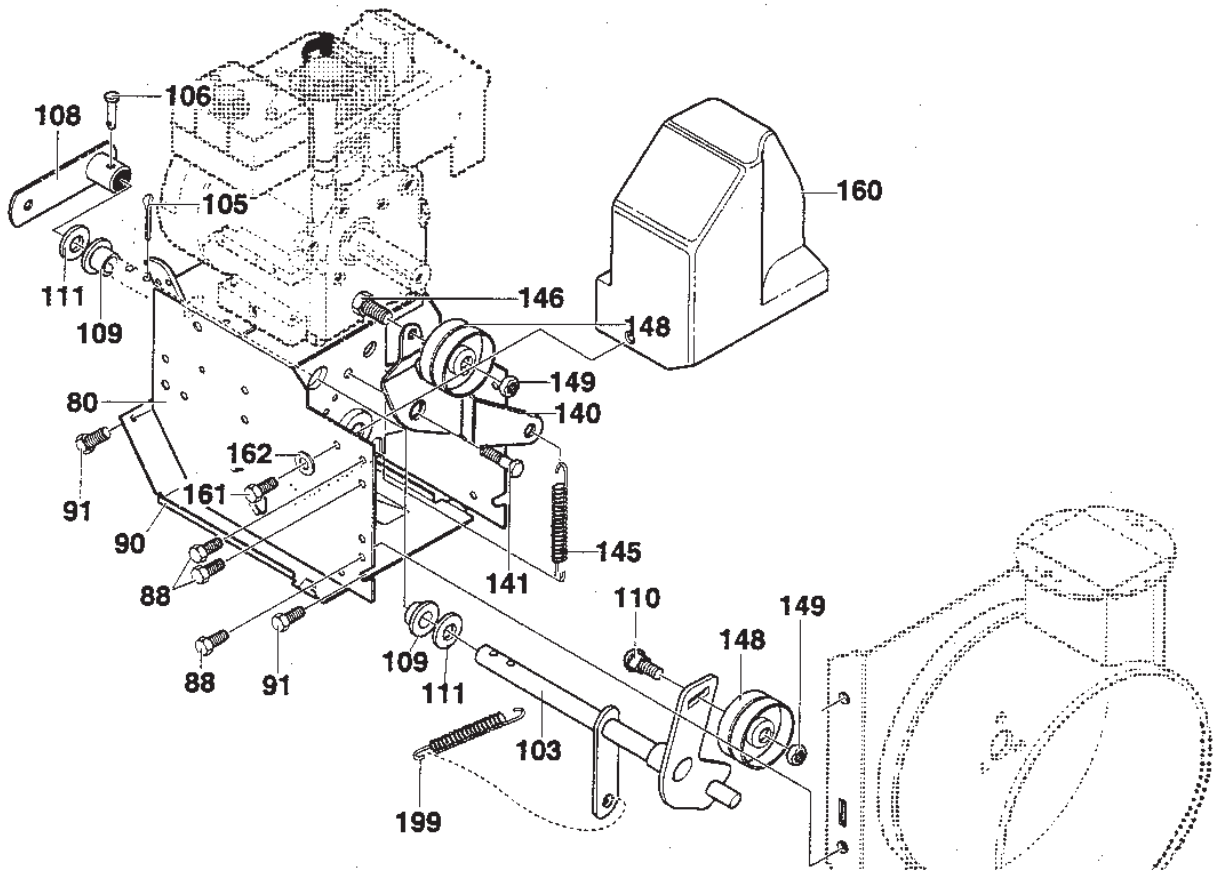
Utgåva Issue 47 - 2014		Styre		Handle	
Pos. Fig.	Antal Quantity	Art nr Part No	Benämning	Description	Anmärkning Notes
720	1	1812-0879-01	Handtag, övre	Upper Handle	
724	2	9988-3670-12	Skruv	Screw	
725	4	9699-0029-02	Bricka	Washer	
726	4	9683-0030-02	Bricka	Washer	
727	4	9795-3631-02	Mutter	Nut	
728	2	1812-0941-01	Plastknopp	Plastic Stop	
730	1	1812-0932-01	Kopplingshandtag-vä	Clutch Handle, Left	
731	1	1812-0933-01	Kopplingshandtag-hö	Clutch Handle, Right	
733	1	1812-0934-01	Handtagsaxel	Clutch handle rod Rod, Clutch Handle	
734	2	1812-0513-01	Lasning	Retainer	
735	2	1812-0946-01	Wirefäste	Cable pivot plate Plate, Cable Pivot	
736	4	9988-3525-16	Skruv	Screw	
737	4	1812-0812-01	Mutter	Nut	
740	1	1812-0248-01	Reglagewire (725 Mm)	Wire (725 Mm)	
741	1	1812-1519-01	Reglagewire	Clutch Cable	
743	1	1812-1210-01	Fjäder	Spring	
744	1	1812-0254-01	Fjäder	Spring	
745	2	9743-3521-32	Mutter	Nut	
750	1	1812-1323-01	Däck-underdel Styre-underdel	Handle-lower	
751	4	9988-3625-16	Skruv	Screw	
752	4	9683-0030-02	Bricka	Washer	
753	4	9795-3631-02	Mutter	Nut	
754	2	1812-1392-01	Snabbmutter	Nut	
755	1	1812-1398-01	Växelväljarplat	Gear Selector Bracket	
756	2	9988-3651-12	Skruv	Screw	
757	2	9843-8219-16	Skruv	Screw	
770	1	1812-1367-01	Panel	Control Panel	
771	2	1812-1412-01	Skruv	Screw	
772	2	1812-0531-01	Distans	Spacer	

Snow Buster - Snow King

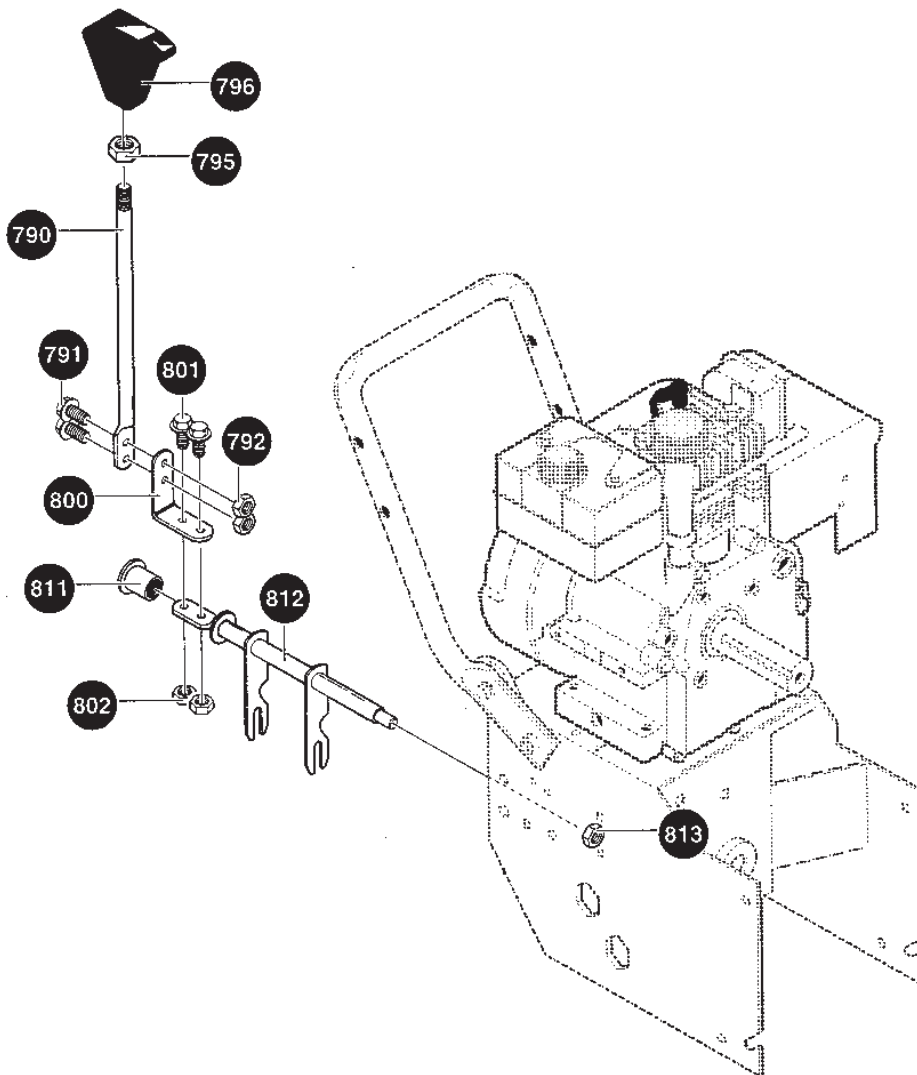
524



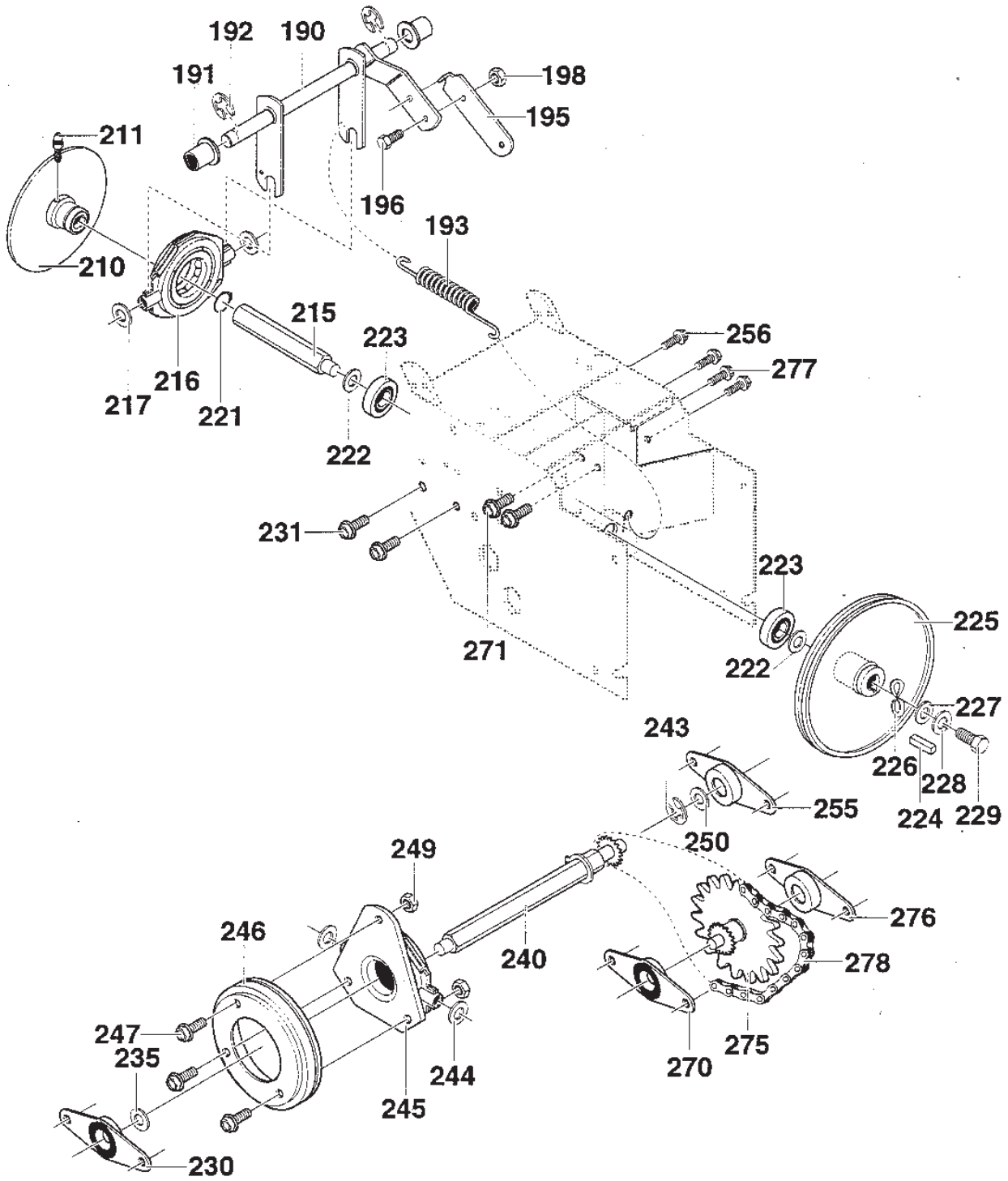
Utgåva Issue 47 - 2014		Motor Remtransmission	Engine Belt Transmission		
Pos. Fig.	Antal Quantity	Art nr Part No	Benämning	Description	Anmärkning Notes
12	4	9988-3638-12	Skruv	Screw	
13	4	9683-0030-02	Bricka	Washer	
16	1	1812-1415-01	Ljuddämparskydd	Muffler Guard	
17	2	1812-1386-01	Skruv	Screw	
18	2	1812-1388-01	Bricka	Washer	
19	2	1812-1387-01	Planbricka	Flat washer	
41	1	1812-0533-01	Remstyrning	Belt Guide	
42	1	1812-0667-01	Plastbricka	Washer	
43	1	9683-0030-02	Bricka	Washer	
44	1	9987-5125-16	Skruv	Screw	
45	1	1812-1566-01	Distans	Spacer	
46	1	1812-1561-01	Bricka	Flat washer	
53	2	1812-1201-01	Motorremskiva	Traction Pulley	
54	2	1812-1206-01	Distans	Spacer	
57	1	1812-9016-01	Kilrem	V-Belt	
58	1	1812-0407-01	Bricka	Washer	
59	1	1812-1350-01	Distans	Spacer	
60	2	1812-1351-01	Motorremskiva	Engine Pulley	
63	1	1812-9019-01	Drivrem	Belt	
67	1	1812-0283-01	Bricka	Washer	
68	1	9683-0035-02	Bricka	Washer	
69	1	1133-0762-01	Skruv	Screw	



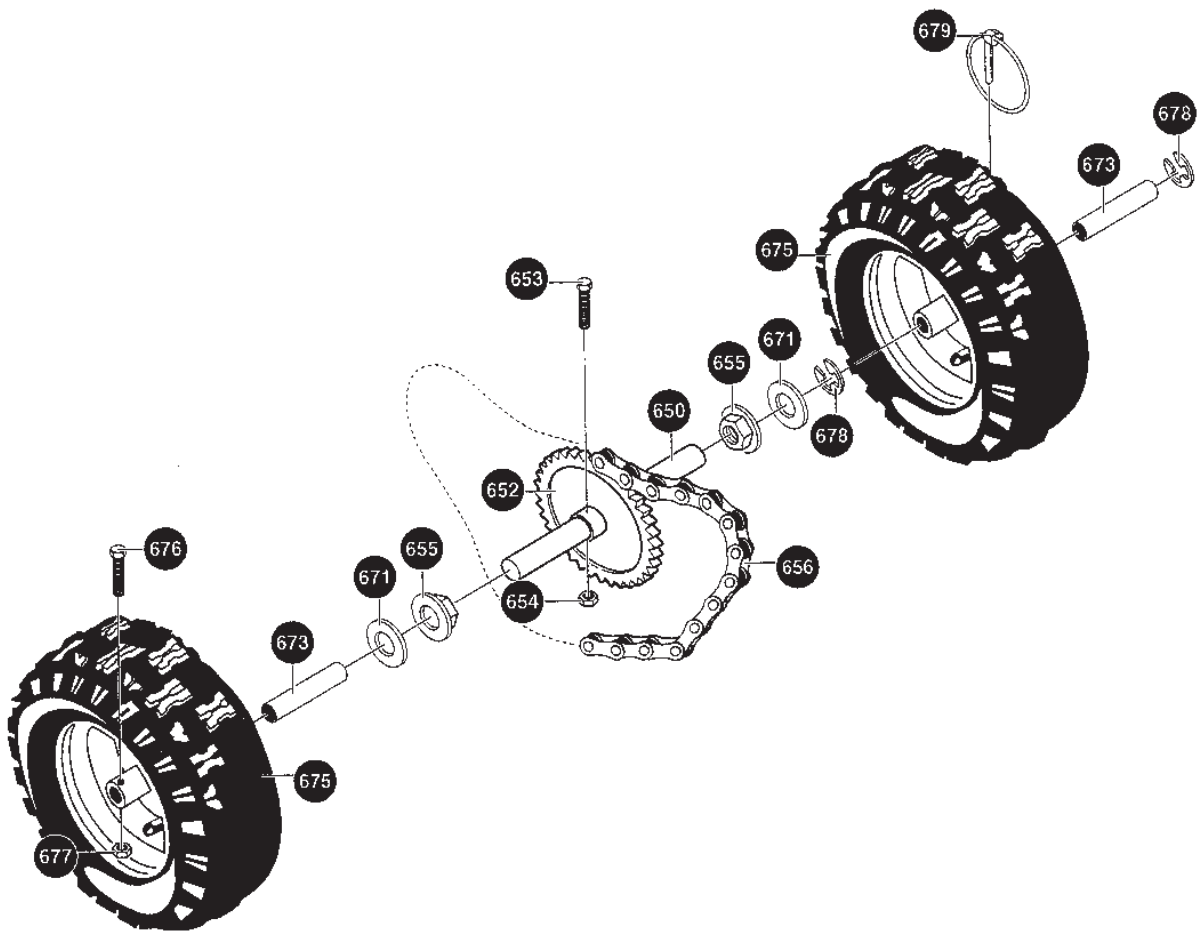
Utgåva Issue 47 - 2014		Chassi Spännrullar		Chassis Idler Pulleys	
Pos. Fig.	Antal Quantity	Art nr Part No	Benämning	Description	Anmärkning Notes
80	1	1812-1525-01	Chassi	Frame	
88	6	1812-0385-01	Skruv	Screw	
90	1	1812-1257-01	Bottenplat	Bottom Panel	
91	4	9988-3516-16	Skruv	Screw	
103	1	1812-1567-01	Spännarm	Engagement Arm	
105	1	1812-1511-01	Lasstift	Hair Pin	
106	1	1812-1533-01	Pinne	Klik Clip	
108	1	1812-1534-01	Arm	Lever	
109	2	1812-0328-01	Bussning	Bushing	
110	1	9899-3732-16	Skruv	Screw	
111	2	1812-1509-01	Planbricka	Flat washer	
140	1	1812-1524-01	Spännarm	Traction Lever	
141	1	1133-0887-01	Bult	Bolt	
145	1	1812-0329-01	Fjäder	Spring	
146	1	9988-3732-12	Skruv	Screw	
148	2	1812-0305-01	Spännrulle	Tension Roller	
149	2	9743-3721-32	Mutter	Nut	
160	1	1812-1513-01	Remskydd	Belt Cover	
161	2	9988-3516-16	Skruv	Screw	
162	2	9699-0028-02	Bricka	Washer	
199	1	1812-1514-01	Fjäder	Idler Spring	



Utgåva Issue 47 - 2014		Växelspak Gear Shifter			
Pos. Fig.	Antal Quantity	Art nr Part No	Benämning	Description	Anmärkning Notes
790	1	1812-1420-01	Växelspak	Shift Rod	
791	2	9988-3519-16	Skruv	Screw	
792	2	1812-0812-01	Mutter	Nut	
795	1	9795-3931-00	Mutter	Nut	
796	1	1812-1308-01	Knopp	Shift Knob	
800	1	1812-1444-01	Spakfjäder Fjäder	Lever spring Spring	
801	2	9988-3519-16	Skruv	Screw	
802	2	1812-0812-01	Mutter	Nut	
811	1	1812-1219-01	Plastbussning	Plastic Bushing	
812	1	1812-1328-01	Speed selector rod	Speed selector rod	
813	1	9743-3721-32	Mutter	Nut	
813	1	9795-3731-02	Mutter	Nut	
813	1	9743-3721-32	Mutter	Nut	
813	1	9795-3731-02	Mutter	Nut	

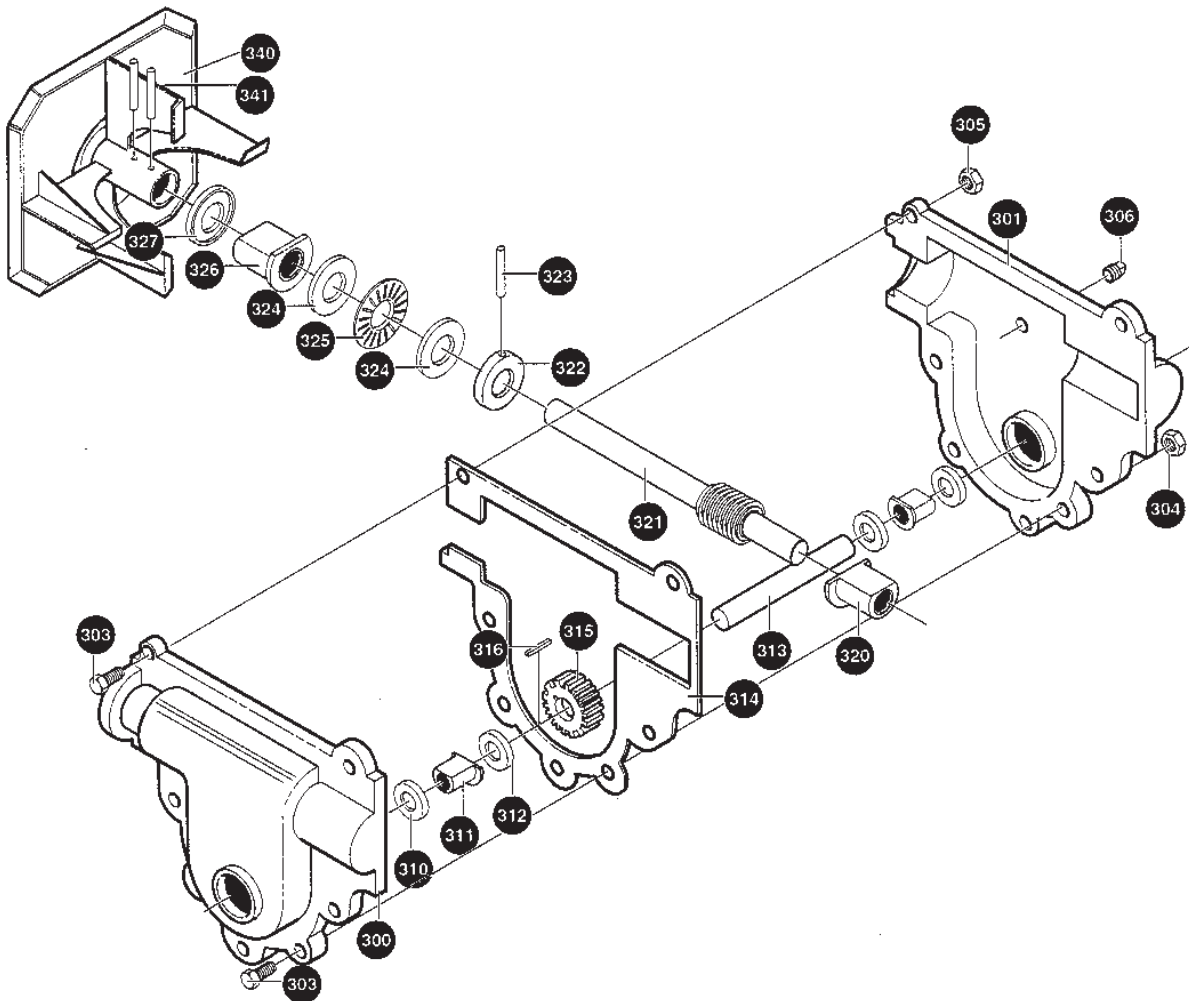


Utgåva Issue 47 - 2014		Drivning Drive Train			
Pos. Fig.	Antal Quantity	Art nr Part No	Benämning	Description	Anmärkning Notes
190	1	1812-1543-01	Arm	Traction Clutch Lever	
191	2	1812-0328-01	Bussning	Bushing	
192	2	1812-1480-01	Lasring	Retaining Ring	
193	1	1812-0364-01	Fjäder	Spring	
195	1	1812-1217-01	Fjäderarm	Traction Spring Lever	
196	1	9988-3516-16	Skruv	Screw	
198	1	1812-0812-01	Mutter	Nut	
210	1	1812-1269-01	Friktionshjul	Friction Disc	
211	1	1812-1425-01	Smörjnippel	Grease Zerk	
215	1	1812-1262-01	Axel	Traction Hex Shaft	
216	1	1812-0450-01	Bärlager	Bearing	
217	2	9699-0038-02	Bricka	Washer	
221	1	1812-0402-01	Lasring	Retaining Ring	
222	2	1812-1238-01	Bricka	Washer	
223	2	1812-1383-01	Kullager	Ball Bearing	
224	1	1812-1239-01	Kil	Square Key	
225	1	1812-1236-01	Remskiva	Traction Pulley	
226	1	1812-1237-01	Bricka	Wave Washer	
227	1	9699-0056-02	Bricka	Washer	
228	1	9683-0025-02	Bricka	Washer	
229	1	9988-3519-16	Skruv	Screw	
230	1	1812-1178-01	Glidlager m.hallare	Bearing & Retainer	
231	2	1812-0385-01	Skruv	Screw	
235	1	1812-1204-01	Bricka	Washer	
240	1	1812-1215-01	Sexkantsaxel	Hex Shaft	
240	1	1812-1570-01	Sexkantsaxel	Hex Shaft & Sprocket	
243	1	1812-1164-01	Lasring	Retainer Ring	
244	2	9699-0038-02	Bricka	Washer	
245	1	1812-1313-01	Lager	Trunion Bearing	
246	1	1812-9002-01	Friktionshjul	Friction Disc	
247	3	9988-3516-16	Skruv	Screw	
249	3	9795-3531-02	Mutter	Nut	
250	1	1812-1204-01	Bricka	Washer	
255	1	1812-1178-01	Glidlager m.hallare	Bearing & Retainer	
256	2	1812-0385-01	Skruv	Screw	
270	1	1812-1178-01	Glidlager m.hallare	Bearing & Retainer	
271	2	1812-0385-01	Skruv	Screw	
275	1	1812-1522-01	Axel M.Kedjedrev	Jack Shaft	36T & 8T
276	1	1812-1178-01	Glidlager m.hallare	Bearing & Retainer	
277	2	1812-0385-01	Skruv	Screw	
278	1	1812-1209-01	Kedja	Chain Roller	

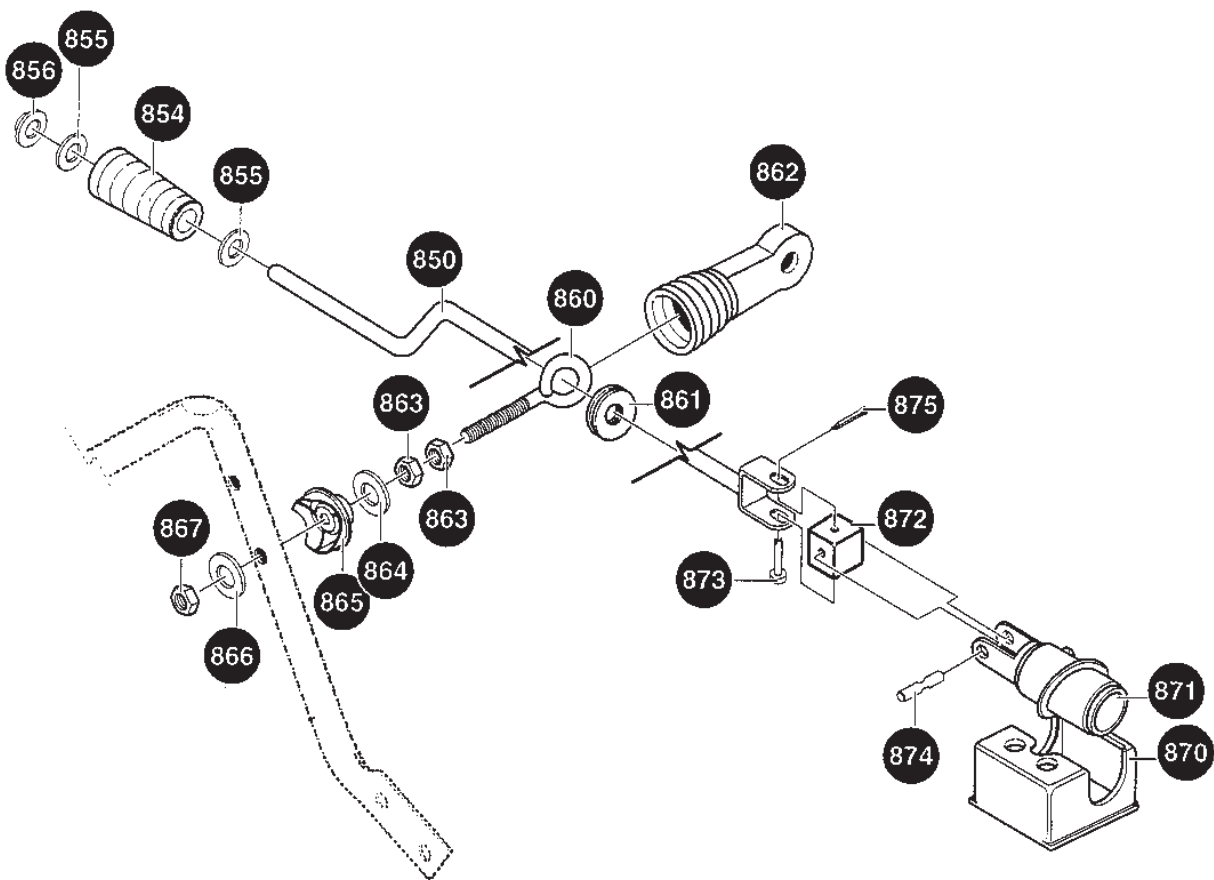


Utgåva Issue 47 - 2014		Hjul Wheels			
Pos. Fig.	Antal Quantity	Art nr Part No	Benämning	Description	Anmärkning Notes
650	1	1812-1231-01	Hjulaxel	Axle	
652	1	1812-1254-01	Kedjedrev-35T	Sprocket	
653	1	9988-3557-12	Skruv	Screw	
654	1	1812-0812-01	Mutter	Nut	
654	1	9743-3521-32	Mutter	Nut	
654	1	1812-0812-01	Mutter	Nut	
654	1	9743-3521-32	Mutter	Nut	
655	2	1812-1246-01	Lager	Bearing Axle	
656	1	1812-1209-01	Kedja	Chain Roller	
671	2	1812-0407-01	Bricka	Washer	
673	2	1812-1342-01	Hjulbussning	Bushing	
675	2	1812-1311-01	Hjul	Wheel	4.10 x 3.50 - 6
675	2	1812-1173-01	Hjul Hjul kpl	Wheel Wheel assy	13 x 5.00 - 6
676	1	1812-1114-01	Bult Skruv	Bolt Screw	
677	1	1812-0812-01	Mutter	Nut	
677	1	9743-3521-32	Mutter	Nut	
677	1	1812-0812-01	Mutter	Nut	
677	1	9743-3521-32	Mutter	Nut	
678	2	1812-0567-01	Lasning Bricka	Retainer ring Washer	
679	1	1812-0408-01	Lassprint	Clik Pin	

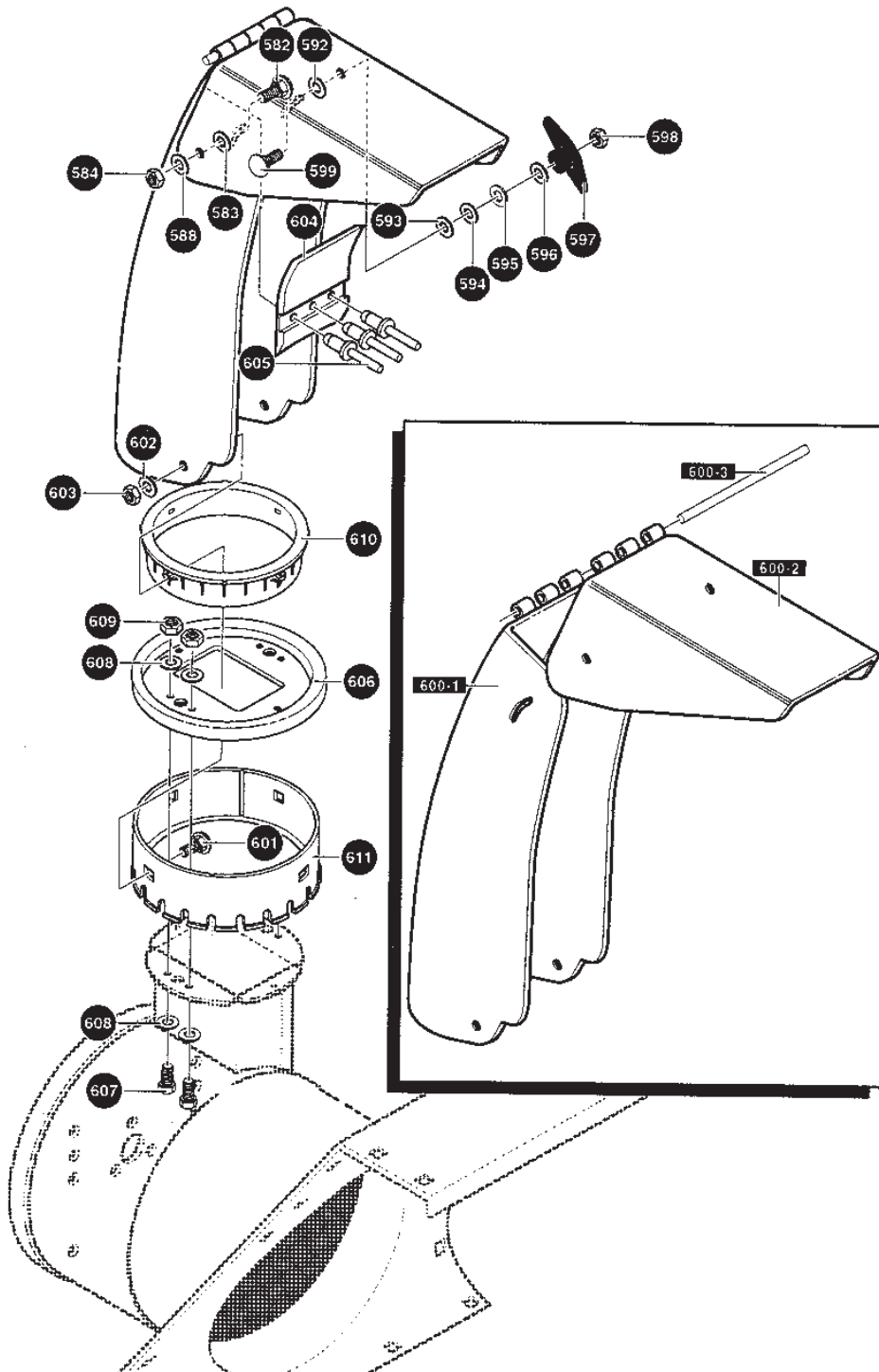
Utgåva Issue 47 - 2014		Snöskruv		Auger	
Pos. Fig.	Antal Quantity	Art nr Part No	Benämning	Description	Anmärkning Notes
480	1	1812-1549-01	Remskiva-snöskruv	Auger pulley Pulley	
481	2	1812-1119-01	Bult	Bolt	
482	1	1812-1167-01	Kil	Key	
485	1	1812-1397-01	Distans	Spacer	
490	1	1812-1250-01	Lagerhallare	Retainer Bearing	
491	1	1812-1383-01	Kullager	Ball Bearing	
493	3	9988-3619-16	Skruv	Screw	
499	3	9795-3631-02	Mutter	Nut	
500	1	1812-1532-01	Snöskruvhus	Housing	
502	2	1133-0433-01	Fästelement	Fastener Ratchet	
510	1	1812-1419-01	Skrapskär	Scraper Blade	
511	5	1812-1410-01	Vagnsbult	Carriage Bolt	
514	5	9743-3521-32	Mutter	Nut	
520	1	1812-1405-01	Snöskruv-vä	Auger-L.H.	
521	1	1812-1406-01	Snöskruv-hö	Auger-R.H.	
522	1	1812-9005-01	Brytbultsats	Shear Bolt Kit	
523	3	1812-0531-01	Distans	Spacer	
524	3	1812-0812-01	Mutter	Nut	
525	2	1812-0878-01	Lager	Bearing	
526	6	9743-3621-32	Mutter	Nut	
527	6	9988-3619-16	Skruv	Screw	
540	2	1812-1479-01	Släpsko	Height Adjust Skid	
541	4	9899-3622-16	Skruv	Screw	
542	4	9699-0029-02	Bricka	Washer	
543	4	9683-0030-02	Bricka	Washer	
544	4	9795-3631-02	Mutter	Nut	



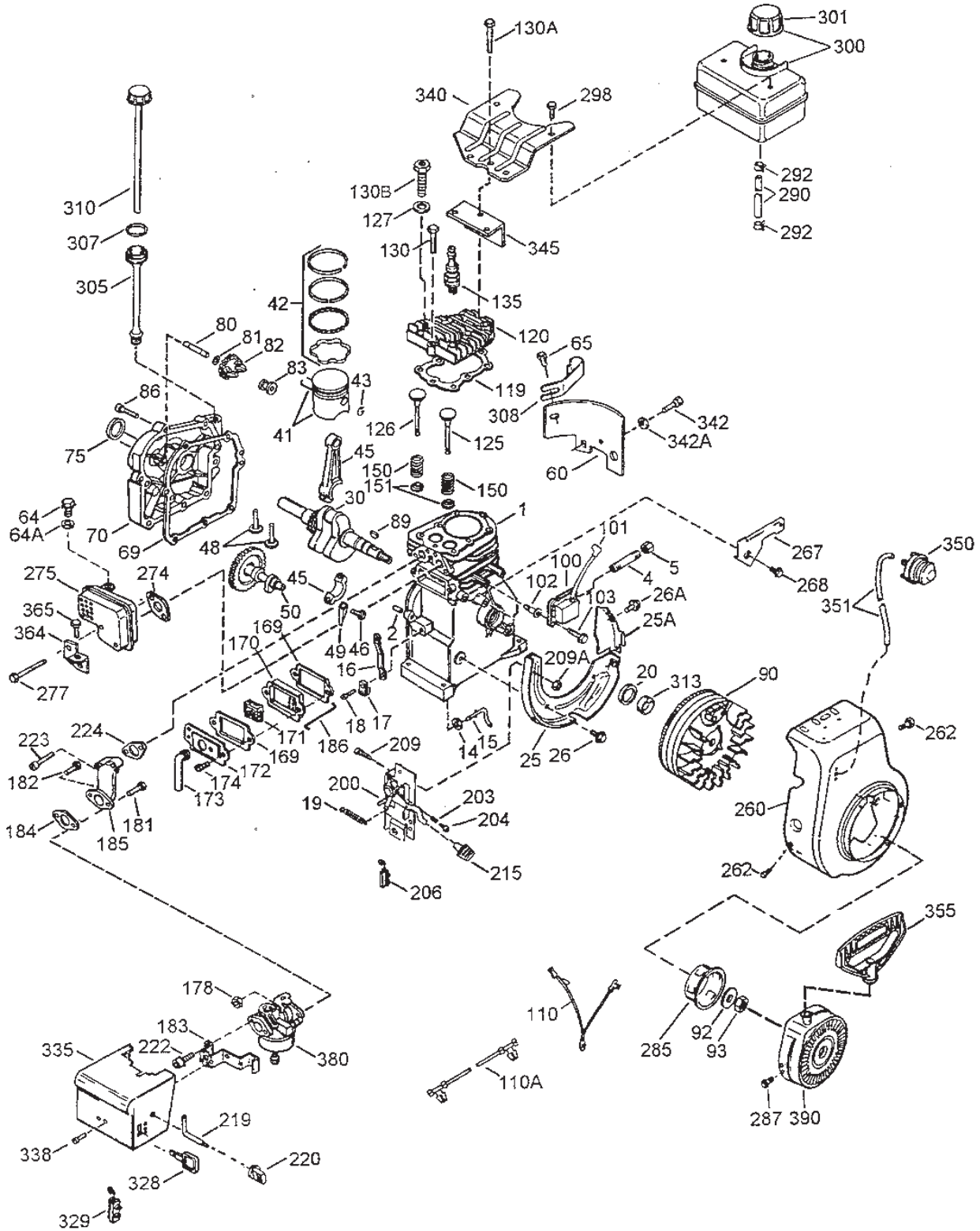
Utgåva Issue 47 - 2014		Snäckväxel		Gear Case	
Pos. Fig.	Antal Quantity	Art nr Part No	Benämning	Description	Anmärkning Notes
300	1	1812-0909-01	Snäckväxelhus-hö	Gear case-R.H.	
301	1	1812-0908-01	Snäckväxelhus-vä	Gear case-L.H.	
303	7	9988-3519-16	Skruv	Screw	
304	6	9727-3541-22	Mutter	Nut	
305	1	9795-3531-02	Mutter	Nut	
306	1	1812-0856-01	Skruv	Screw	
310	2	1812-0881-01	Tätningring	Oil Seal	
311	2	1812-1360-01	Bussning	Bushing	
312	2	1812-0857-01	Bricka	Thrust Washer	
313	1	1812-1402-01	Snöskruvaxel	Auger Shaft	
314	1	1812-1361-01	Packning	Gasket	
315	1	1812-0862-01	Snäckdrev	Worm Gear	
316	1	1812-1371-01	Woodruffkil	Woodruff Key	
320	1	1812-1359-01	Bussning	Bushing	
321	1	1812-1330-01	Ingaende Axel	Input Shaft	
322	1	1812-1321-01	Distans	Thrust Collar	
323	1	1133-0395-01	Stift	Roll Pin	
324	2	1812-0857-01	Bricka	Thrust Washer	
325	1	1812-0285-01	Nallager	Needle Bearing	
326	1	1812-1360-01	Bussning	Bushing	
327	1	1812-0881-01	Tätningring	Oil Seal	
340	1	1812-1434-01	Fläkt	Impeller	
341	2	1133-0395-01	Stift	Roll Pin	



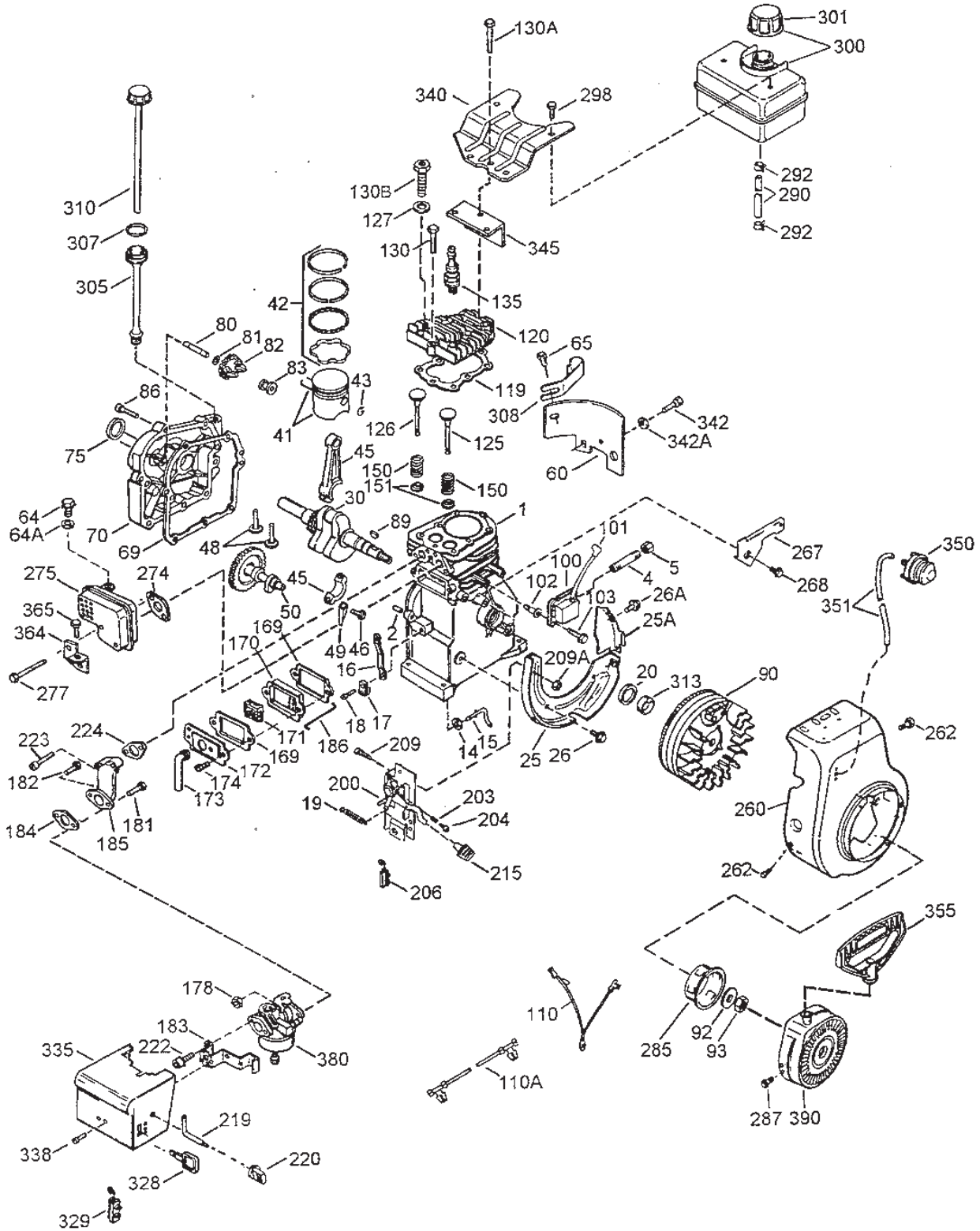
Utgåva Issue 47 - 2014		Inställningsvev Chute Crank			
Pos. Fig.	Antal Quantity	Art nr Part No	Benämning	Description	Anmärkning Notes
850	1	1812-1339-01	Inställningsvev	Crank	
854	1	1812-0318-01	Handtag	Handle	
855	2	9699-0035-02	Bricka	Washer	
856	1	1812-0396-01	Lasning	Retainer	
856	1	1812-1483-01	Mutter Lasning	Nut	
860	1	1812-0394-01	Öglebult	Eyebolt	
861	1	1812-0203-01	Bussning	Bushing	
862	1	1812-1170-01	Hylsa-öglebult	Boot Eye Bolt Boot-eye bolt	
863	2	9743-3721-32	Mutter	Nut	
864	1	9699-0035-02	Bricka	Washer	
865	1	1812-1172-01	Adapter	Adaptor Boot Boot adaptor	
866	1	9699-0035-02	Bricka	Washer	
867	1	9743-3721-32	Mutter	Nut	
870	1	1812-1334-01	Fäste-Snäckskruv	Chute Worm Bracket	
871	1	1812-1335-01	Snäckskruv	Chute Rotate Worm	
872	1	1812-1317-01	LedkMutter	Universal Housing	
873	1	1812-1318-01	Sprint	Clevis Pin	
874	1	1812-1316-01	Axel	Universal Pin	
875	1	9599-0033-00	Saxsprint	Split Pin	



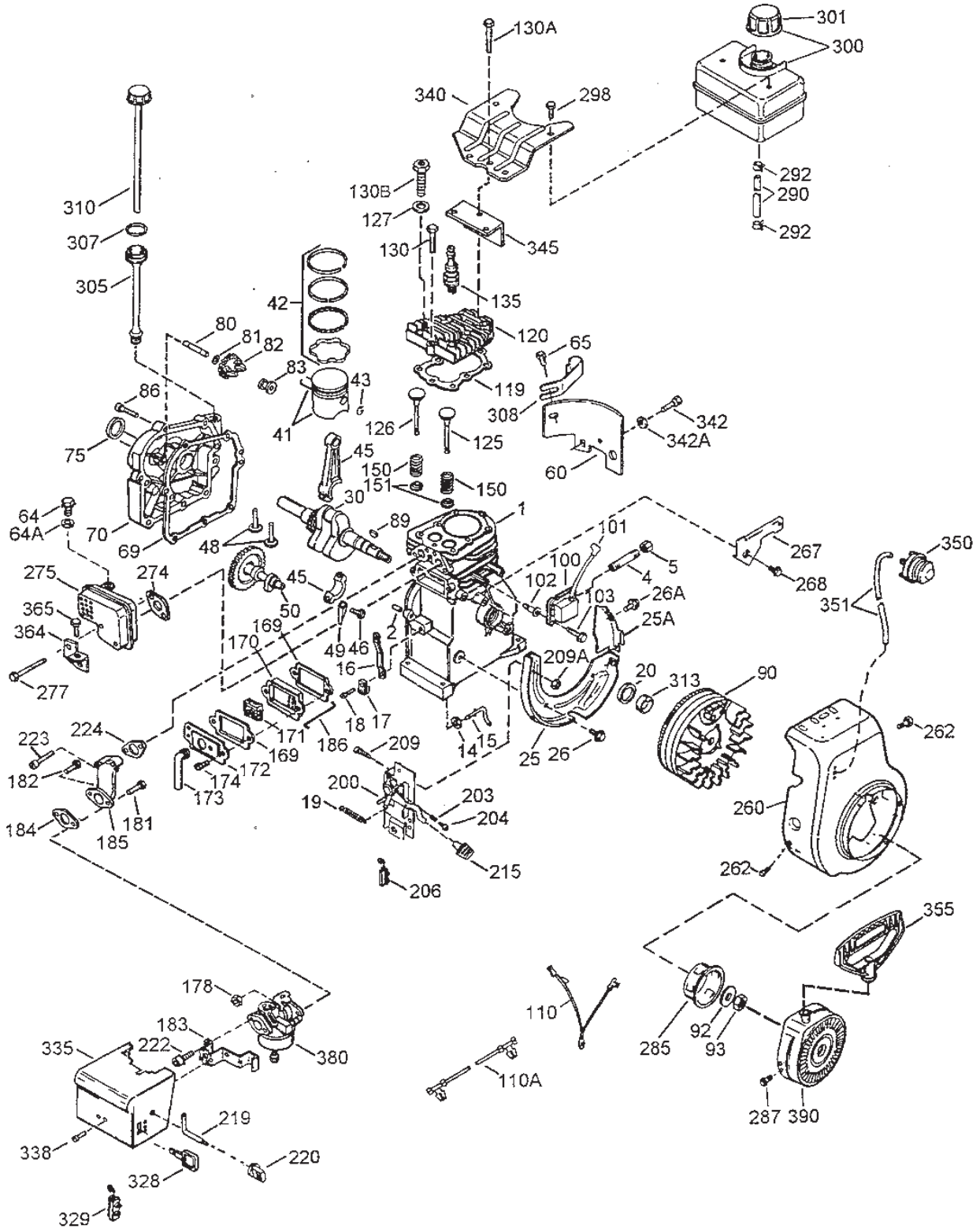
Utgåva Issue 47 - 2014		Utkast				Chute
Pos. Fig.	Antal Quantity	Art nr Part No	Benämning	Description	Anmärkning Notes	
582	1	9899-3622-16	Skruv	Screw		
582	2	9899-3622-16	Skruv	Screw		
583	1	1812-1163-01	Plastbricka	Washer		
583	2	1812-1163-01	Plastbricka	Washer		
584	1	9743-3621-32	Mutter	Nut		
584	2	9743-3621-32	Mutter	Nut		
588	1	1812-0667-01	Plastbricka	Washer		
588	2	1812-0667-01	Plastbricka	Washer		
592	1	1812-1163-01	Plastbricka	Washer		
593	1	1812-0667-01	Plastbricka	Washer		
594	1	9699-0028-02	Bricka	Washer		
594	1	9699-0029-02	Bricka	Washer		
595	1	9683-0030-02	Bricka	Washer		
596	1	9699-0028-02	Bricka	Washer		
596	1	9699-0029-02	Bricka	Washer		
597	1	1133-0932-01	Lasratt	Wing Knob		
598	1	9795-3631-02	Mutter	Nut		
599	1	9899-3625-16	Skruv	Screw		
600	1	1812-0950-01	Gangjärnsaxel	Wire Chute Hinge	Pos 600-3	
600	1	1812-1307-01	Utkastskärm	Chute Deflector	Pos 600-2	
600	1	1812-1592-01	Utkastskärm	Chute Deflector	Pos 600-2	
600	1	1812-1463-01	Utkaströr	Lower chute	Pos 600-1	
600	1	1812-1599-01	Utkaströr	Chute, Lower	Pos 600-1	
601	3	9899-3625-16	Skruv	Screw		
602	3	9699-0028-02	Bricka	Washer		
602	3	9699-0029-02	Bricka	Washer		
603	3	9743-3621-32	Mutter	Nut		
604	1	1812-1436-01	Utkastskydd	Chute Flap		
605	3	1812-1462-01	Popnit	Pop Rivet		
606	1	1812-1336-01	Utkastplatta	Chute Rotate Collar		
607	4	9988-3519-16	Skruv	Screw		
608	8	9699-0026-02	Bricka	Washer		
608	8	9699-0028-02	Bricka	Washer		
609	4	1812-0812-01	Mutter	Nut		
609	4	9743-3521-32	Mutter	Nut		
610	1	1812-1366-01	Utkastring-inre	Chute rot. ring-inner		
611	1	1812-1332-01	Utkastring-Yttre	Chute Rotate Ring-Outer		



Utgåva Issue 47 - 2014		Tecumseh Hs50		Tecumseh Hs50	
Pos. Fig.	Antal Quantity	Art nr Part No	Benämning	Description	Anmärkning Notes
1	1	36469A	Cylinder kpl	Cylinder Assy	Inkl. pos 2, 20, 125
2	2	26727	Styrpinne	Dowel pin	
4	1	30968	Rör	Pipe	
5	1	30969	Cap	Cap	
14	1	28277	Bricka	Flat washer	
15	1	31334	Governor rod	Governor rod	
16	1	31510	Governor lever	Governor lever	
16	1	37729	Governor lever	Governor lever	
17	1	31335	Clamp	Clamp	
18	1	651018	Skruv	Screw	
19	1	31426	Fjäder	Spring	
20	1	32600	Oil seal	Oil seal	
25	1	35883	Extension	Extension	
25	1	36552	Baffle	Baffle	
26	1	650926	Skruv	Screw	
26	2	650802	Skruv	Screw	
30	1	37245	Crankshaft	Crankshaft	
41	1	36070	Kolvspind	Piston Pin	Inkl. pos 43
42	1	36076	Ring set	Ring set	
43	2	20381	Retaining ring	Retaining ring	
45	1	32875A	Connecting rod assy	Connecting rod assy	Inkl. pos 46, 49
46	2	32610A	Skruv	Screw	
48	2	27241	Valve lifter	Valve lifter	
49	1	32654	Oil dipper	Oil dipper	
50	1	33158	Kamaxel	Camshaft	
60	1	29745	Extension	Extension	
64	1	8345	Bricka	Washer	
64	1	30063	Skruv	Screw	
65	1	650128	Skruv	Screw	
69	1	27677A	Packning	Gasket	
70	1	34674C	Cylinderkapa	Cylinder Cover assy	Inkl. pos 75-83
75	1	27897	Oil seal	Oil seal	
80	1	30574A	Governor shaft	Governor shaft	
81	1	30590A	Bricka	Flat washer	
82	1	30591	Governor gear	Governor gear	Inkl. pos 81
83	1	30588A	Spool	Spool	
86	7	650488	Skruv	Screw	
89	1	610961	Kil	Key	
90	1	611199	Flywheel	Flywheel	
92	1	650815	Bricka	Washer	
93	1	650816	Mutter	Nut	
100	1	34443B	Solid state ignition	Solid state ignition	
100	1	34443C	Solid state ignition	Solid state ignition	
101	1	610118	Spark plug cover	Spark plug cover	
102	2	651024	Stud	Stud	
103	2	651007	Skruv	Screw	
110	1	36874	Ground wire	Ground wire	
110	1	35182	Ground wire	Ground wire	
119	1	36443	Packning	Gasket	

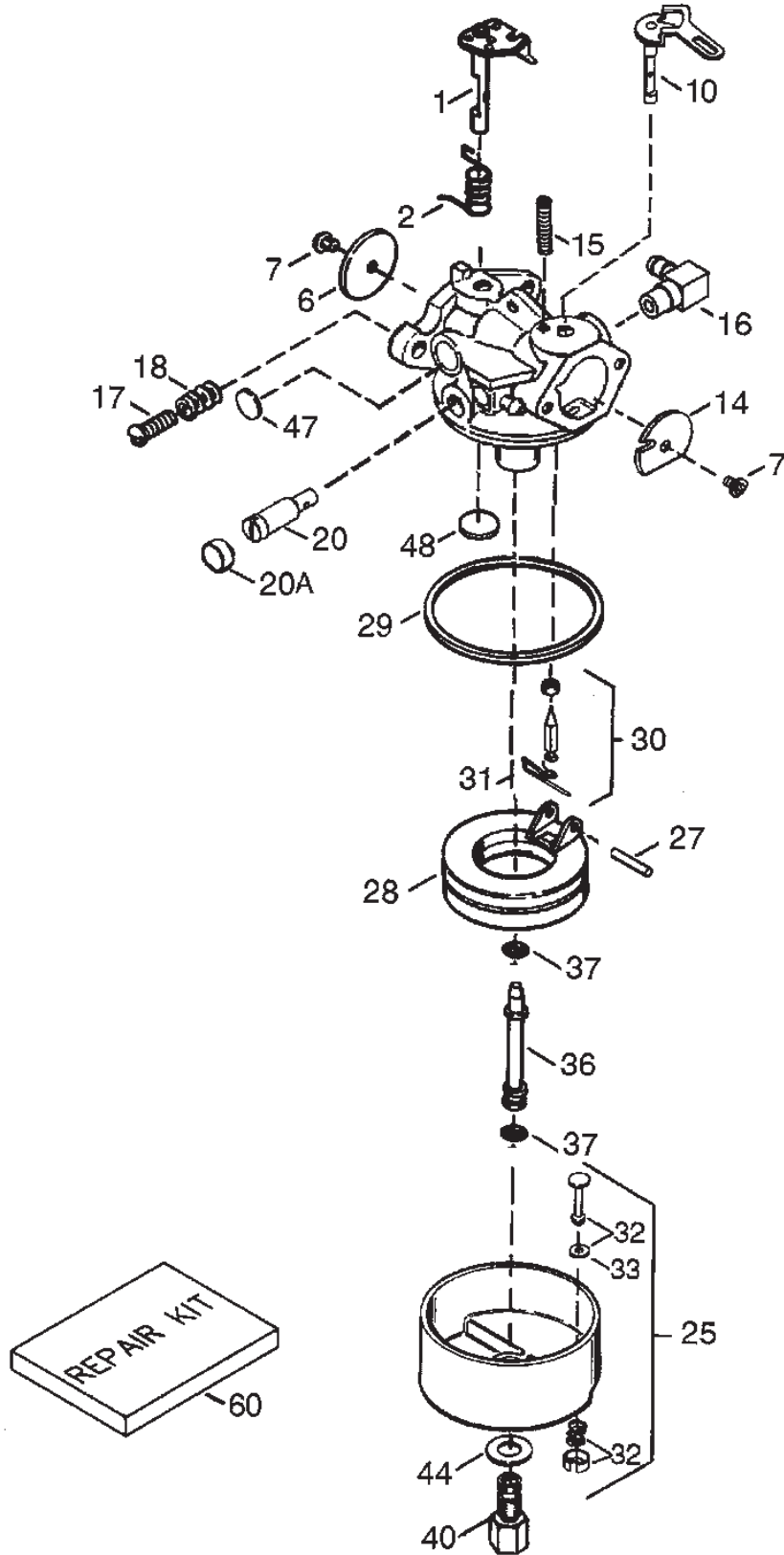


Utgåva Issue 47 - 2014		Tecumseh Hs50		Tecumseh Hs50	
Pos. Fig.	Antal Quantity	Art nr Part No	Benämning	Description	Anmärkning Notes
120	1	36441	Topplöck	Cylinder Head	
120	1	37675	Topplöck	Cylinder Head	
125	1	36471	Exhaust valve	Exhaust valve	Inkl. pos 151
126	1	32644A	Insugningsventil	Intake valve	Inkl. pos 151
127	1	650691	Bricka	Washer	
130	5	650694A	Skruv	Screw	
130	1	650818	Skruv	Screw	
130	2	6021A	Skruv	Screw	
135	1	9400-0225-00	Tändstift (J19Lm)	Spark Plug (J19Lm)	Champion J19LM
150	2	31672	Valve spring	Valve spring	
151	2	31673	Valve cap	Valve cap	
169	2	27234A	Packning	Gasket	
170	1	27666	Valve cover body	Valve cover body	
171	1	31410	Filterelement	Element	
172	1	34146	Cover	Cover	
173	1	35350	Rör	Tube	
174	2	650783	Skruv	Screw	
178	2	29752	Mutter	Nut	
181	1	650870	Skruv	Screw	
182	1	6201	Skruv	Screw	
183	1	34583A	Choke bracket	Choke bracket	
184	1	26756	Packning	Gasket	
185	1	33691	Intake pipe	Intake pipe	
186	1	32698	Länk	Link	
200	1	36677	Bracket control assy	Bracket control assy	Inkl. pos 203-209A
203	1	31342	Fjäder	Spring	
204	1	651029	Skruv	Screw	
206	1	610973	Terminal	Terminal	
209	2	30322	Mutter	Nut	
209	2	650139	Skruv	Screw	
215	1	35440	Knopp	Knob	
219	1	34582	Choke rod	Choke rod	
220	1	35438	Reglageknopp	Knob	
222	2	28820	Skruv	Screw	
223	2	650664	Skruv	Screw	
224	1	33673A	Packning	Gasket	
260	1	35656A	Blower housing	Blower housing	
262	2	650737	Skruv	Screw	
267	1	34212	Fäste	Bracket	
268	1	30200	Skruv	Screw	
274	1	33670A	Packning	Gasket	
275	1	35771	Ljuddämpare	Muffler	Inkl. pos 274
277	2	650327	Skruv	Screw	
277	2	792005	Skruv	Screw	
285	1	36467A	Starter cup	Starter cup	
287	2	650926	Skruv	Screw	
290	1	30705	Fuel line	Fuel line	
292	2	26460	Clamp	Clamp	
292	4	26460	Clamp	Clamp	



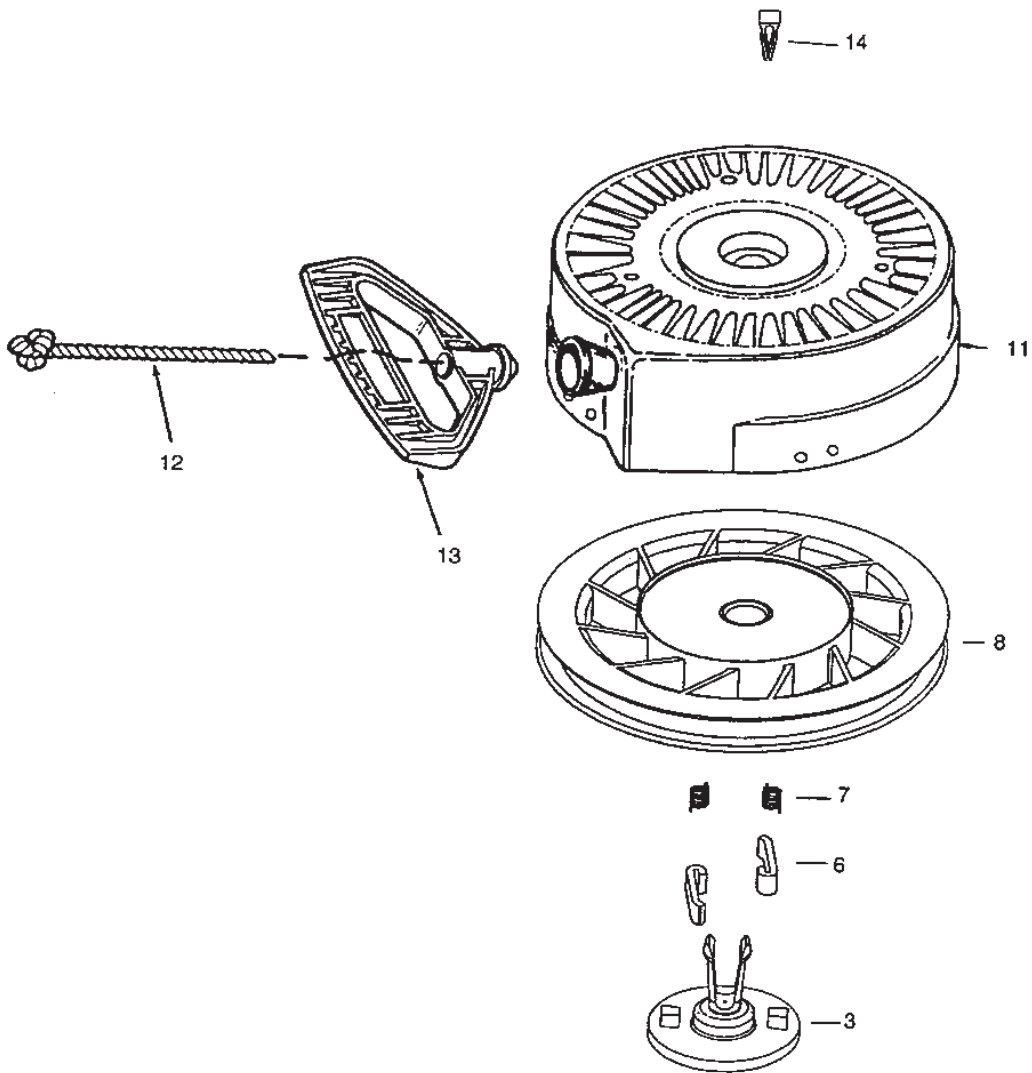
Utgåva Issue 47 - 2014		Tecumseh Hs50		Tecumseh Hs50	
Pos. Fig.	Antal Quantity	Art nr Part No	Benämning	Description	Anmärkning Notes
298	2	650665	Skruv	Screw	
300	1	35584	Tank assy	Tank assy	Inkl. pos 292, 301
301	1	35355	Tank cap	Tank cap	
305	1	35554	Oljepåfyllningsrör	Oil fill tube	
307	1	35499	O-ring	O-ring	
308	1	35539	Clip	Clip	
310	1	35556	Oil dipstick	Oil dipstick	
313	1	34080	Distans	Spacer	
328	2	35062	Tändningsnyckel	Ignition Key	
329	1	610973	Terminal	Terminal	
335	1	35072	Cover	Cover	
338	2	650257	Skruv	Screw	
340	1	36247	Tank bracket	Tank bracket	
342	2	650675	Bricka	Washer	
342	1	30063	Skruv	Screw	
345	1	33344	Värmskydd	Heat baffle	
350	1	570682A	Primer	Primer assy	
351	1	32180C	Primerslang	Primer line	
355	1	590574	Styrplåt kpl	Starter handle	
364	1	33333	Fäste	Bracket	
365	1	650735	Skruv	Screw	
380	1	640084A	Förgasare kpl	Carburettor Assy	Inkl. pos 184
390	1	590707	Starter assy	Starter assy	Optional
390	1	590742	Starter assy	Starter assy	
400	1	36444	Packningssats	Gasket set	

640084A



Utgåva Issue 47 - 2014		Tecumseh Hs50 Förgasare		Tecumseh Hs50 Carburettor	
Pos. Fig.	Antal Quantity	Art nr Part No	Benämning	Description	Anmärkning Notes
1	1	631615	Spjällsaxeln	Throttle Shaft	
2	1	631767	Fjäder	Spring	
6	1	640070	Gasspjäll	Throttle Shutter	
7	2	650506	Skruv	Screw	
10	1	632108	Choke shaft	Choke shaft	
14	1	631890	Choke shutter	Choke shutter	
15	1	630735	Fjäder	Spring	
16	1	631807	Nippel	Fuel fitting	
17	1	651025	Skruv	Screw	
18	1	630766	Fjäder	Spring	
20	1	640027	Skruv	Screw	
20	1	640053	Skruv	Screw	
25	1	631951	Flottörhus kpl	Float bowl assy	Inkl. pos 32-33
27	1	631024	Flottöraxel	Float shaft	
28	1	632019	Flottör	Float	
28	1	632802	Flottör	Float	
29	1	631028	O-ring	O-ring	
30	1	631021	Nalventil kpl	Inlet needle assy	Inkl. pos 31
30	1	631021A	Nalventil kpl	Inlet needle assy	Inkl. pos 31
31	1	631022	Fjäder	Spring clip	
32	1	27136A	Bowl drain	Bowl drain	
33	1	27554	Packning	Gasket	
36	1	632745	Main nozzle tube	Main nozzle tube	
37	2	632547	O-ring	O-ring	
40	1	640131	Mutter	Nut	
40	1	640183	Mutter	Nut	
44	1	27110A	Packning	Gasket	
47	1	630748	Welch plug	Welch plug	
48	1	631027	Welch plug	Welch plug	
60	1	632760	Reparationssats	Repair Kit	Märkta/marked F
60	1	632760B	Reparationssats	Repair Kit	Märkta/marked F

590742



Utgåva Issue 47 - 2014		Tecumseh Hs50 Snörstart		Tecumseh Hs50 Rewind Starter	
Pos. Fig.	Antal Quantity	Art nr Part No	Benämning	Description	Anmärkning Notes
3	1	590740	Hallare	Retainer	
6	2	590616	Starter dog	Starter dog	
7	2	590617	Fjäder	Spring	
8	1	590645A	Pulley assy	Pulley assy	
11	1	590647	Starthus	Starter housing	
11	1	590647A	Starthus	Starter housing	
12	1	590535	Startsnöre	Starter Rope	
13	1	590574	Styrplat kpl	Starter handle	
14	1	590741	Lastunga	Locking tab	
14	1	590760	Fjäder	Spring clip	

code	pos.	q.ty	page
650735	365	1	p. 27
650737	262	2	p. 25
650783	174	2	p. 25
650802	26	2	p. 23
650815	92	1	p. 23
650816	93	1	p. 23
650818	130	1	p. 25
650870	181	1	p. 25
650926	26	1	p. 23
650926	287	2	p. 25
651007	103	2	p. 23
651018	18	1	p. 23
651024	102	2	p. 23
651025	17	1	p. 29
651029	204	1	p. 25
792005	277	2	p. 25