



Reservdelskatalog Parts Catalogue

521 SNOW THROWER

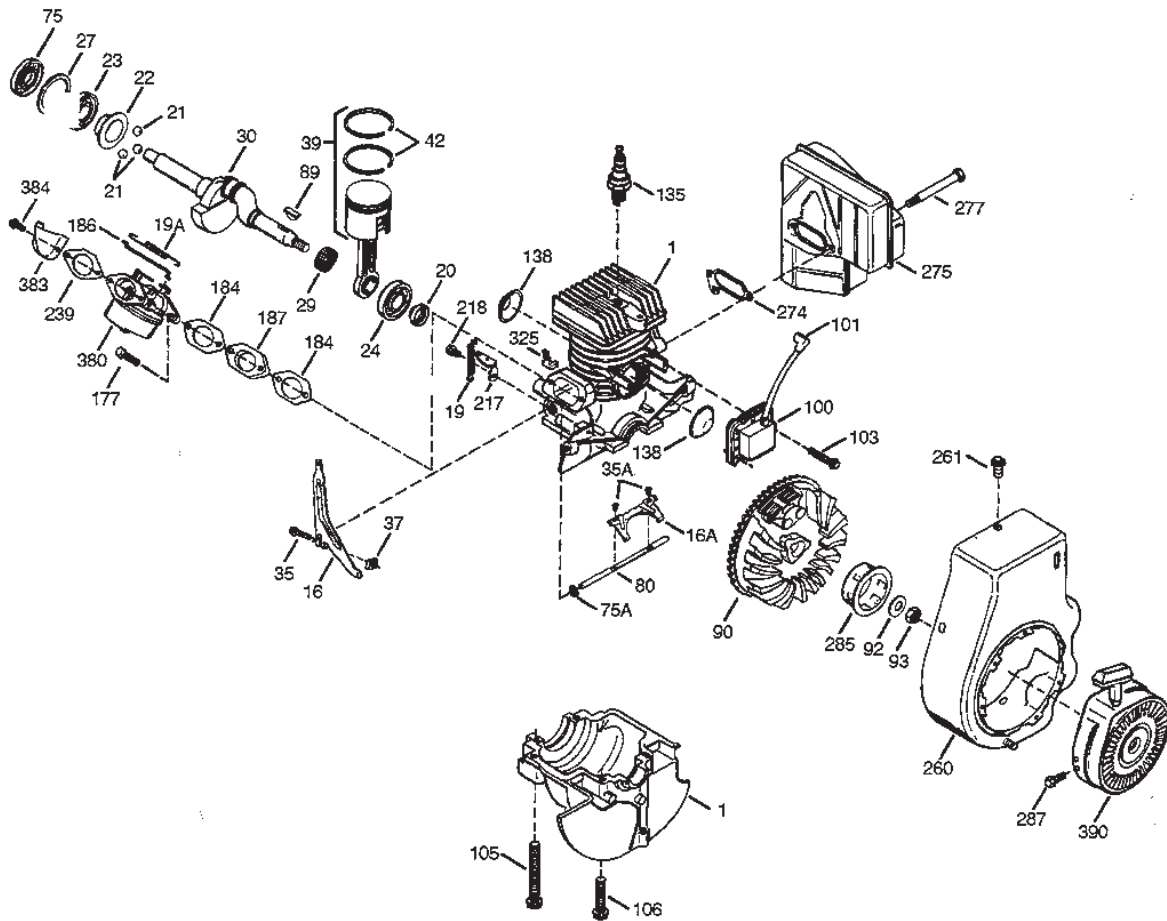
18-2821-20 - Season 1999

- Use GLOBAL GARDEN PRODUCT Genuine Spare Parts specified in the parts list for repair and/or replacement.
 - The contents described in the parts list may change due to improvement.
 - The drawings of the spare parts are only indicative and might not represent the part in question exactly.
 - The indications "right" - "left" - "front" - "rear" refer to the position of the operator when using the machine.
- When placing orders of parts for repair and/or replacement, make sure that the illustrated parts list is the one applying to the machine's year of manufacture, as shown on the identification plate attached to the machine.

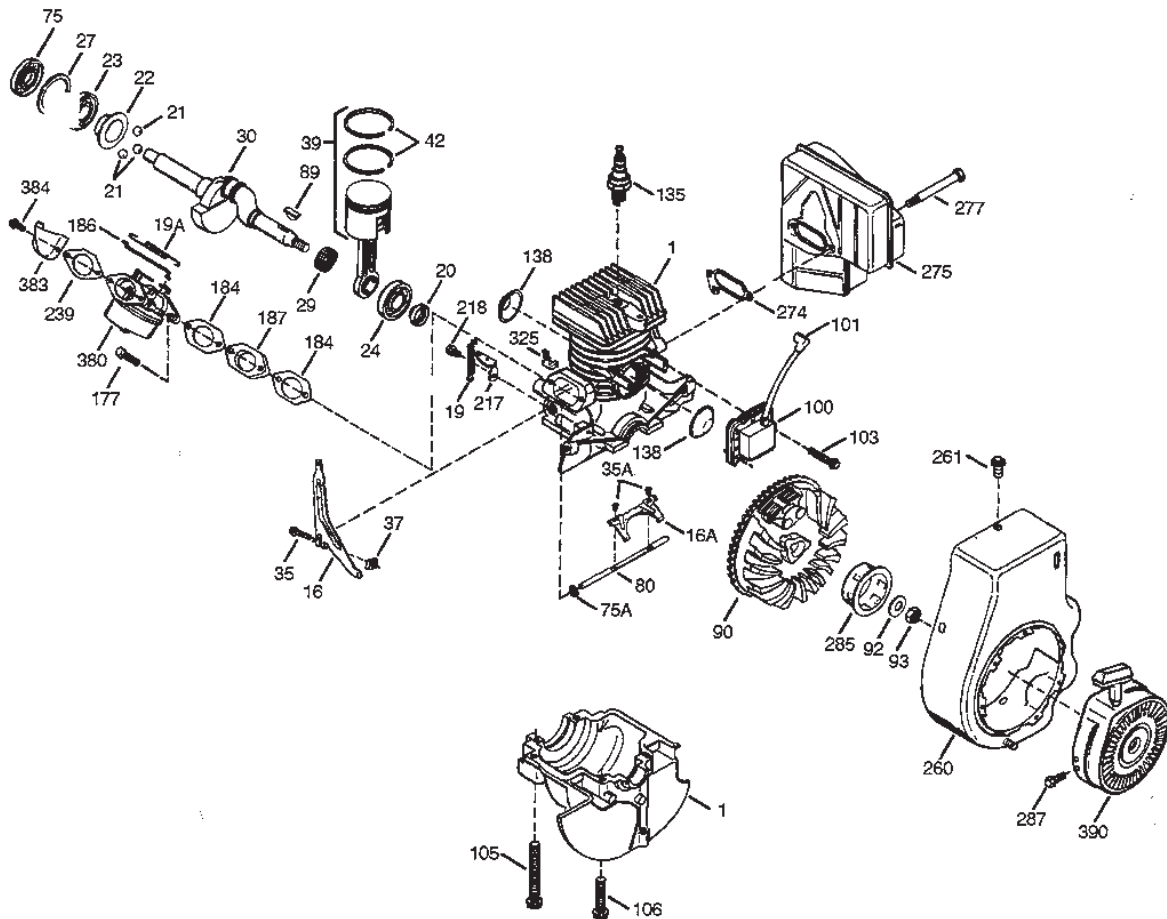
© Copyright 2014 Global Garden Products

All rights reserved. No part of this material may be reproduced or transmitted, in any form or by any means, electronic or mechanical, including photocopying, recording or by any information storage and retrieval system, without permission in writing from GLOBAL GARDEN PRODUCTS.

www.stiga.com

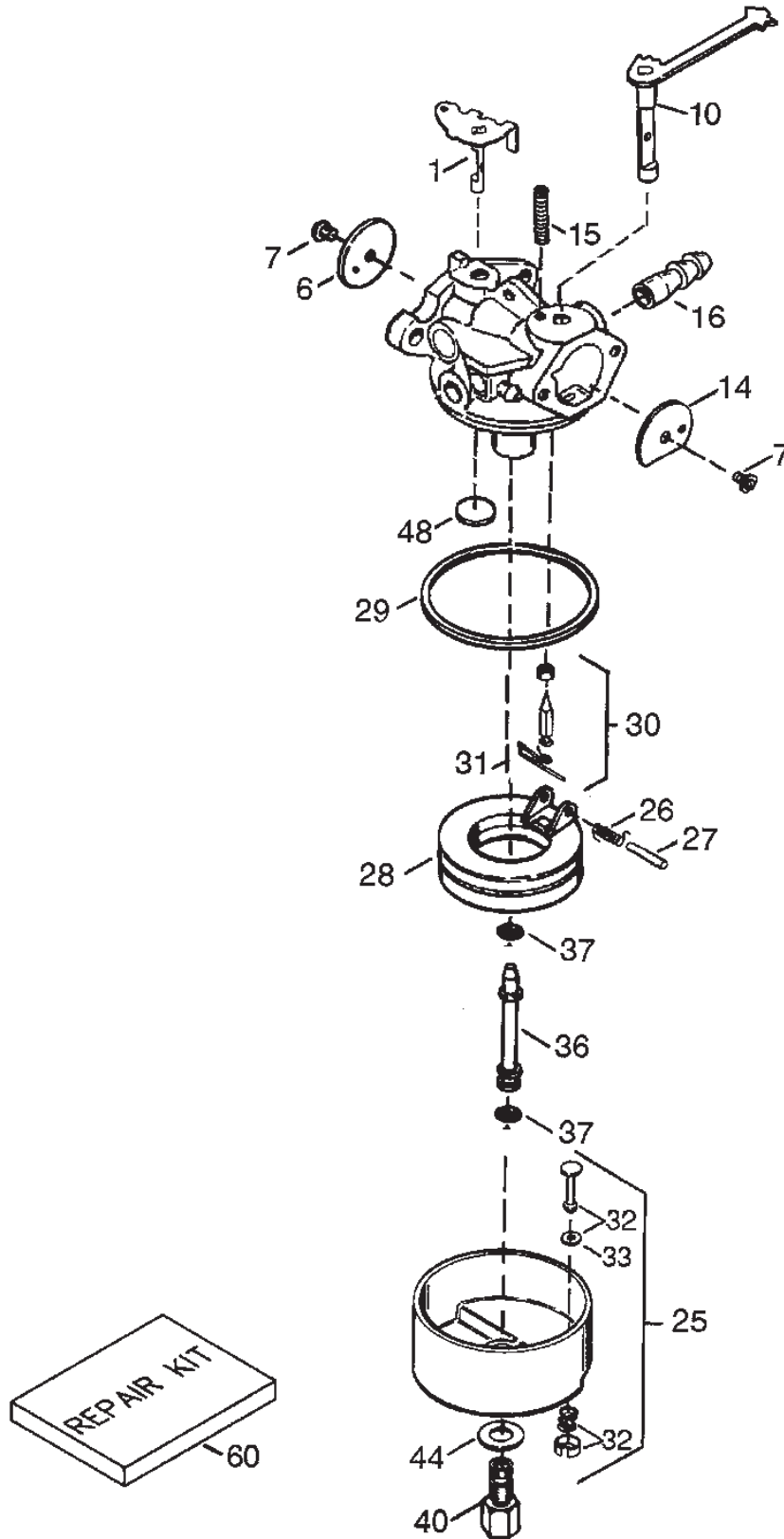


Utgåva Issue 47 - 2014		Tecumseh H845		Tecumseh H845	
Pos. Fig.	Antal Quantity	Art nr Part No	Benämning	Description	Anmärkning Notes
1	1	250296A	Cylinder kpl	Cylinder Assy	Inkl. 75A,105,106,138
16	1	490304	Governor lever	Governor lever	
16	1	490317	Governor lever	Governor lever	
19	1	490318.	Fjäder	Spring	
19	1	570721	Fjäder	Spring	
20	1	510340	Oil seal	Oil seal	
21	3	570673	Kullager	Ball Bearing	
22	1	510338	Slide ring	Slide ring	
23	1	530158	Kullager	Ball Bearing	
24	1	530161	Kullager	Ball Bearing	
27	1	530159	Bearing retainer	Bearing retainer	
29	1	530164	Bearing strip	Bearing strip	
30	1	290627	Crankshaft	Crankshaft	
35	2	650506	Skruv	Screw	
35	1	29826	Skruv	Screw	
37	1	29216	Mutter	Nut	
39	1	310277B	Piston and rod assy	Piston and rod assy	Inkl. pos 29, 42
39	1	310279B	Piston and rod assy	Piston and rod assy	Inkl. pos 29, 42
42	1	310278	Ring set	Ring set	
75	1	510337	Oil seal	Oil seal	
75	1	510339	Oil seal	Oil seal	
80	1	490305	Governor shaft	Governor shaft	
89	1	611191	Svånghjul	Flywheel Key	
90	1	611190	Flywheel	Flywheel	
90	1	611192	Flywheel	Flywheel	
92	1	650815	Bricka	Washer	
93	1	650816	Mutter	Nut	
100	1	34443B	Solid state ignition	Solid state ignition	
100	1	34443C	Solid state ignition	Solid state ignition	
101	1	610118	Spark plug cover	Spark plug cover	
103	2	651007	Skruv	Screw	
105	2	650892	Skruv	Screw	
106	2	650891	Skruv	Screw	
135	1	611049	Tändstift	Spark plug	Champion CJ8Y
135	1	9400-0278-00	Tändstift (Cj8Y)	Spark Plug (Cj8Y)	Champion CJ8Y
138	2	570683	Lock	Port cover	
177	2	650959	Skruv	Screw	
184	2	510326A	Carburettor gasket	Carburettor gasket	
186	1	490319	Governor link	Governor link	
187	1	570438A	Distans	Spacer	
217	1	570667A	Reglagearm	Control Lever	
218	1	650847	Skruv	Screw	
239	1	35815	Packning	Gasket	
260	1	350439	Blower housing	Blower housing	
260	1	350460	Blower housing	Blower housing	
261	4	650894	Skruv	Screw	
274	1	510343A	Packning	Exhaust gasket	
275	1	390325	Ljuddämpare	Muffler	
277	2	650893	Skruv	Screw	



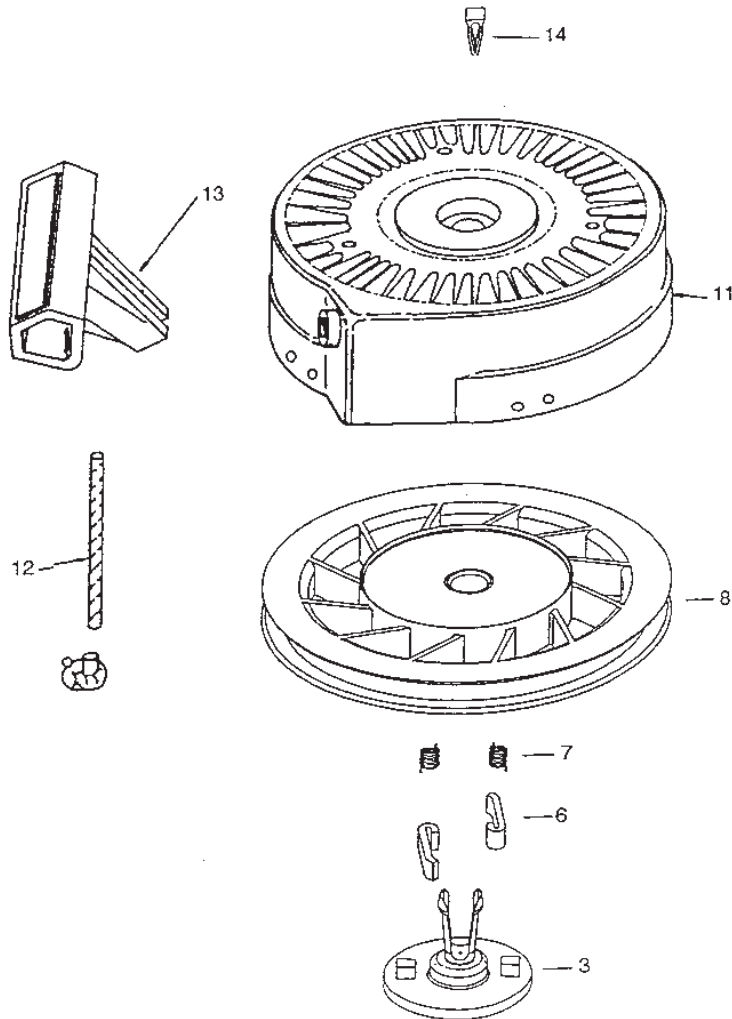
Utgåva Issue 47 - 2014		Tecumseh H845		Tecumseh H845	
Pos. Fig.	Antal Quantity	Art nr Part No	Benämning	Description	Anmärkning Notes
285	1	34449A	Starter cup	Starter cup	
287	3	650926	Skruv	Screw	
325	1	29443	Wire clip	Wire clip	
380	1	640088	Förgasare kpl	Carburettor Assy	Inkl. pos 184
380	1	640312	Förgasare kpl	Carburettor Assy	Inkl. pos 184
380	1	640342	Förgasare kpl	Carburettor Assy	Inkl. pos 184
383	1	570695	Insugsplat	Spit cup	
384	2	650229	Skruv	Screw	
390	1	590743	Starter assy	Starter assy	

640088

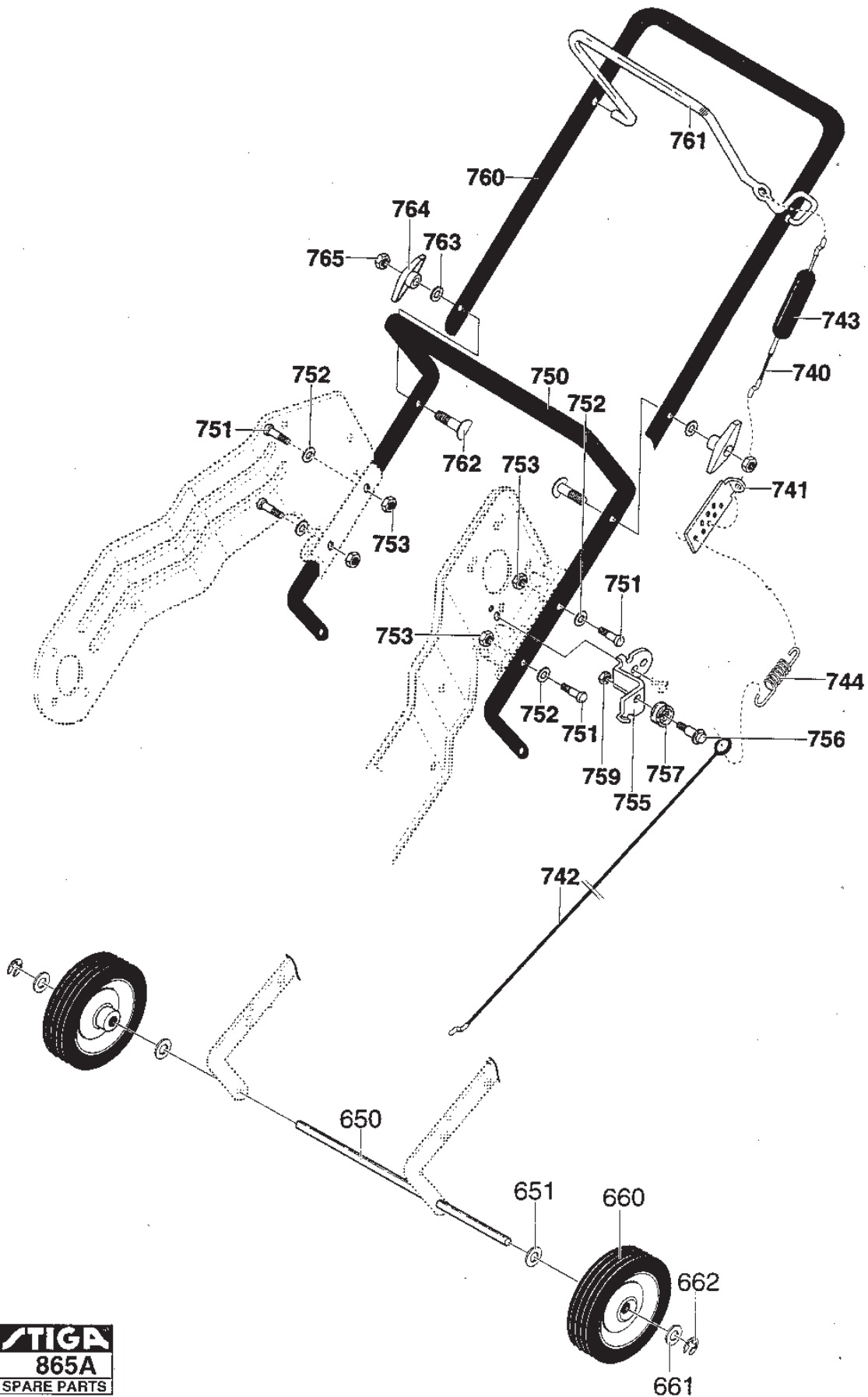


Utgåva Issue 47 - 2014		Tecumseh H845 Förgasare		Tecumseh H845 Carbuettor	
Pos. Fig.	Antal Quantity	Art nr Part No	Benämning	Description	Anmärkning Notes
1	1	632538	Spjällsaxeln	Throttle Shaft	
6	1	631616	Gasspjäll	Throttle Shutter	
6	1	631621	Gasspjäll	Throttle Shutter	
7	2	650506	Skruv	Screw	
10	1	632734	Choke shaft	Choke shaft	
14	1	631815	Choke shutter	Choke shutter	
15	1	630735	Fjäder	Spring	
16	1	632164	Nippel	Fuel fitting	
25	1	631951	Flottörhus kpl	Float bowl assy	Inkl. pos 32, 33
26	1	632386	Fjäder	Float spring	
27	1	631024	Flottöraxel	Float shaft	
28	1	632019	Flottör	Float	
29	1	631028	O-ring	O-ring	
30	1	631021	Nalventil kpl	Inlet needle assy	Inkl. pos 31
31	1	631022	Fjäder	Spring clip	
32	1	27136A	Bowl drain	Bowl drain	
33	1	27554	Packning	Gasket	
36	1	640080	Main nozzle tube	Main nozzle tube	
37	2	632547	O-ring	O-ring	
40	1	640008	Mutter	Nut	
40	1	640089	Mutter	Nut	
44	1	27110A	Packning	Gasket	
48	1	631027	Welch plug	Welch plug	
60	1	632760	Reparationssats	Repair Kit	Märkta/marked F
60	1	632760B	Reparationssats	Repair Kit	Märkta/marked F

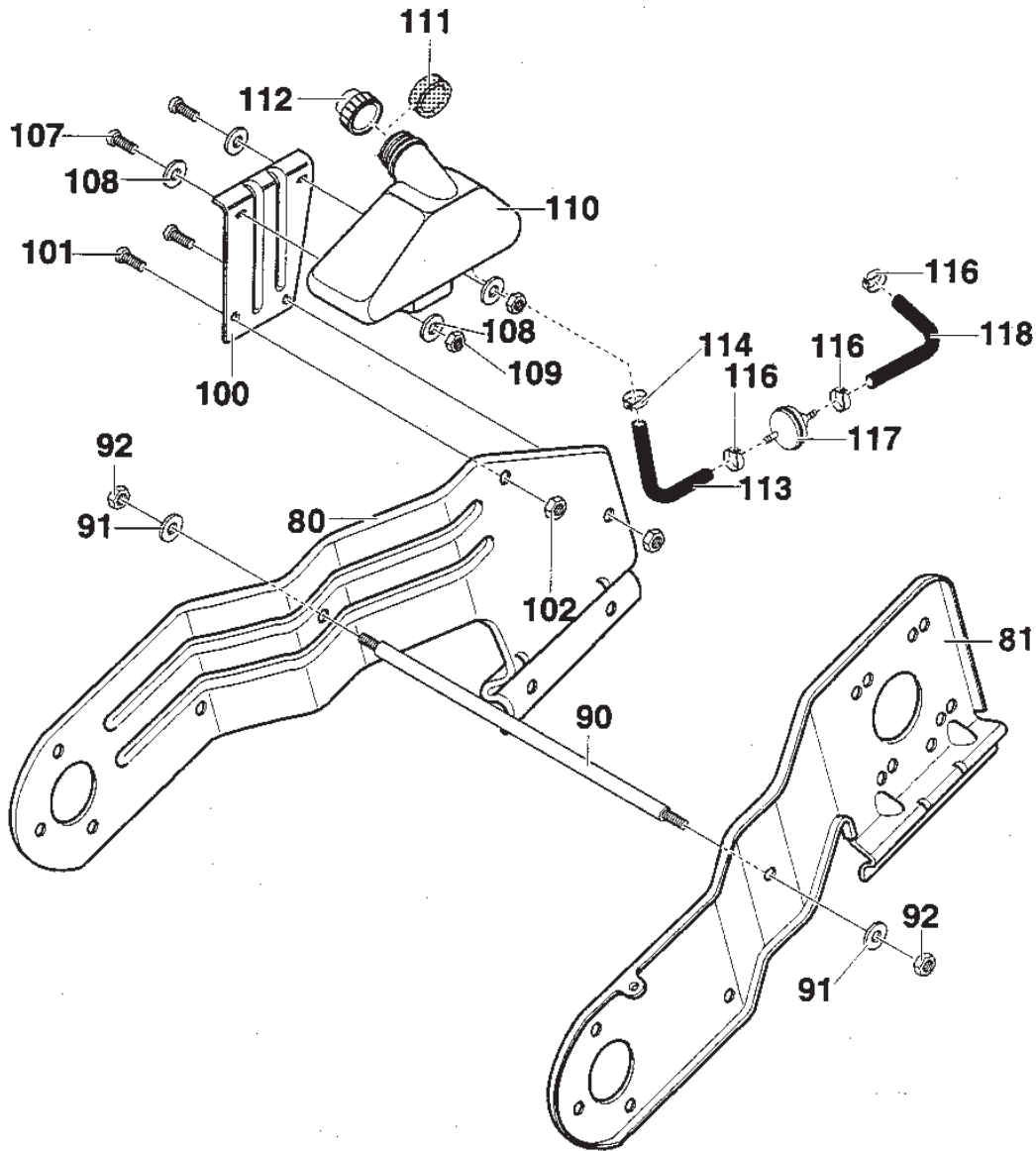
590743



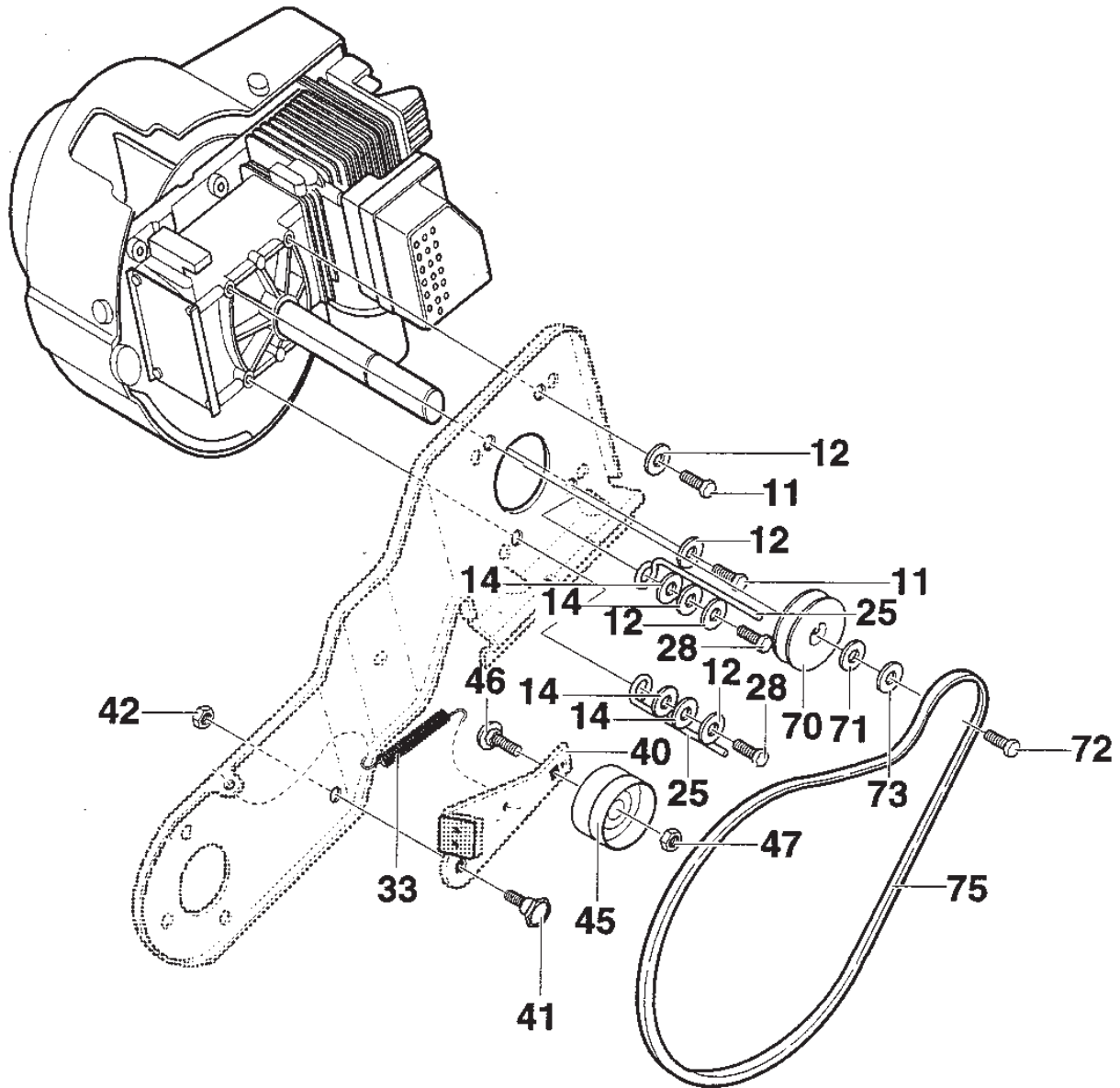
Utgåva Issue 47 - 2014		Tecumseh H600 Snörstart		Tecumseh H600 Rewind Starter	
Pos. Fig.	Antal Quantity	Art nr Part No	Benämning	Description	Anmärkning Notes
3	1	590740	Hallare	Retainer	
6	2	590616	Starter dog	Starter dog	
7	2	590617	Fjäder	Spring	
8	1	590645A	Pulley assy	Pulley assy	
11	1	590643	Starthus	Starter housing	
11	1	590643A	Starthus	Starter housing	
12	1	590535	Startsnöre	Starter Rope	
13	1	590701	Handtag	Handle	
14	1	590741	Lastunga	Locking tab	
14	1	590760	Fjäder	Spring clip	



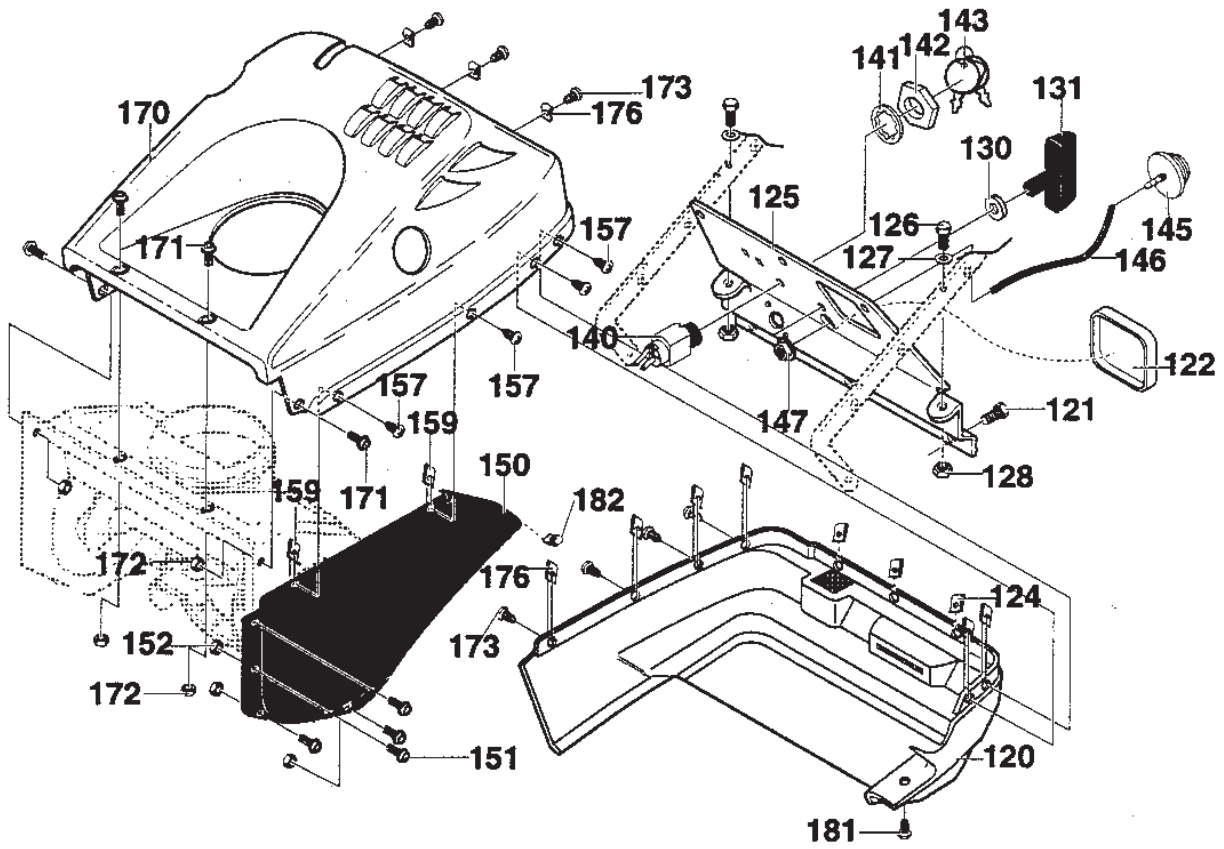
Utgåva Issue 47 - 2014		Styre, hjul		Handle, wheels	
Pos. Fig.	Antal Quantity	Art nr Part No	Benämning	Description	Anmärkning Notes
650	1	1133-0958-01	Hjulaxel	Wheel Axle	
651	2	9699-0030-02	Bricka	Washer	
660	2	1812-1455-01	Hjul	Wheel	
661	2	9699-0030-02	Bricka	Washer	
662	2	1133-1021-01	Lasring	Retaining Ring	
740	1	1812-1457-01	Reglagewire-övre	Control Cable	
741	1	1133-0977-01	Wirefäste	Cable Adjust Bracket	
742	1	1812-1456-01	Reglagewire-nedre	Control Cable	
743	1	1133-0968-01	Wirehylsa	Clutch Spring Boot	
744	1	1133-0982-01	Fjäder	Spring	
744	1	1812-1590-01	Fjäder	Spring	
744	1	1812-1670-01	Fjäder	Spring	
750	1	1812-1492-01	Styre underdel	Lower Handle	
751	4	9988-3532-12	Skruv	Screw	
752	4	9699-0028-02	Bricka	Washer	
753	4	1812-0812-01	Mutter	Nut	
755	1	1812-1515-01	Fäste	Bracket Cable Pulley Bracket	
756	1	1133-0262-01	Ansatsbult	Shoulder Bolt	
757	1	1133-0059-01	Linhjul	Pulley	
759	1	1812-0812-01	Mutter	Nut	
759	1	1812-1758-01	Mutter	Nut	
760	1	1812-1527-01	Styre överdel Handtag, övre	Handle Upper Part Upper Handle	
761	1	1133-0972-01	Inkopplingshandtag	Control Bail	
761	1	1812-1494-01	Control bail	Control bail	
762	2	1133-1017-01	Bult	Bolt	
763	2	1133-0933-01	Bricka	Formed Washer	
764	2	1133-0932-01	Lasratt	Wing Knob	
765	2	9795-3631-02	Mutter	Nut	
998	1	8218-2203-07	Bruksanv (Star, Max, Breeze)	Manual (Star, Max, Breeze)	Ej ill/not ill.



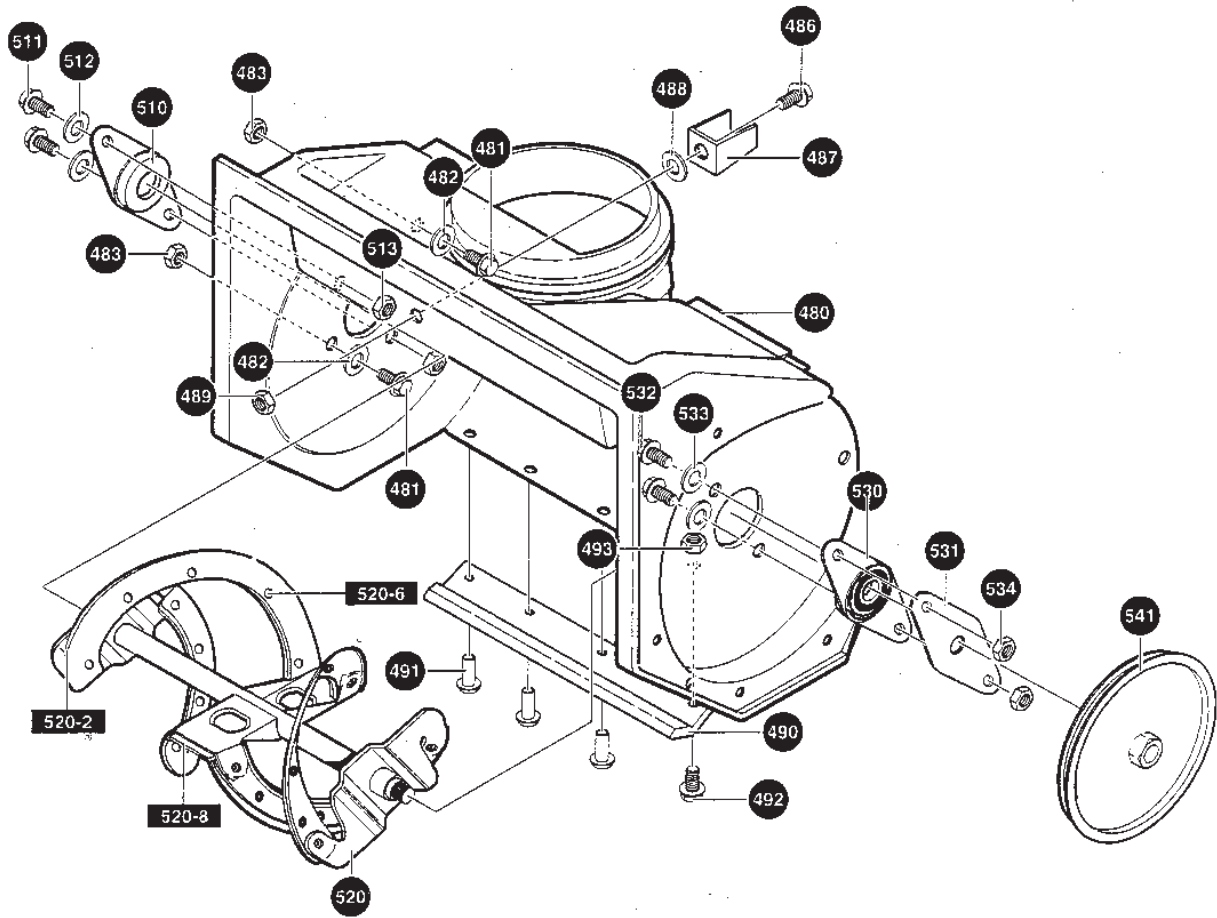
Utgåva Issue 47 - 2014		Ram, tank		Frame, fuel tank	
Pos. Fig.	Antal Quantity	Art nr Part No	Benämning	Description	Anmärkning Notes
80	1	1812-1438-01	Ramhalva-hö	Side Frame-R.H.	
81	1	1812-1437-01	Ramhalva-vä	Side Frame-L.H.	
90	1	1812-1512-01	Stödstag	Support Rod	
91	2	9683-0035-02	Bricka	Washer	
92	2	9795-3731-02	Mutter	Nut	
100	1	1812-1490-01	Tankfäste	Fuel tank bracket	
101	2	9988-3519-16	Skruv	Screw	
102	2	1812-0812-01	Mutter	Nut	
107	2	9988-3519-16	Skruv	Screw	
108	4	9699-0028-02	Bricka	Washer	
109	2	1812-0812-01	Mutter	Nut	
110	1	1812-1489-01	Bränsletank	Fuel Tank	Volym 1.42 lit.
111	1	1812-1565-01	Tätningring	Foam Ring	
112	1	1812-1504-01	Tanklock	Fuel tank cap Gas Tank Cap	
113	1	1812-1486-01	Bränsleslang	Fuel line tubing	
114	1	1133-0070-01	Slangklämma	Clamp, Fuel Line	
116	3	1812-1487-01	Slangklämma	Fuel line clamp	
117	1	1812-1482-01	Bränslefilter	Filter-In-Line	
118	1	1812-1498-01	Bränsleslang	Fuel line tubing	



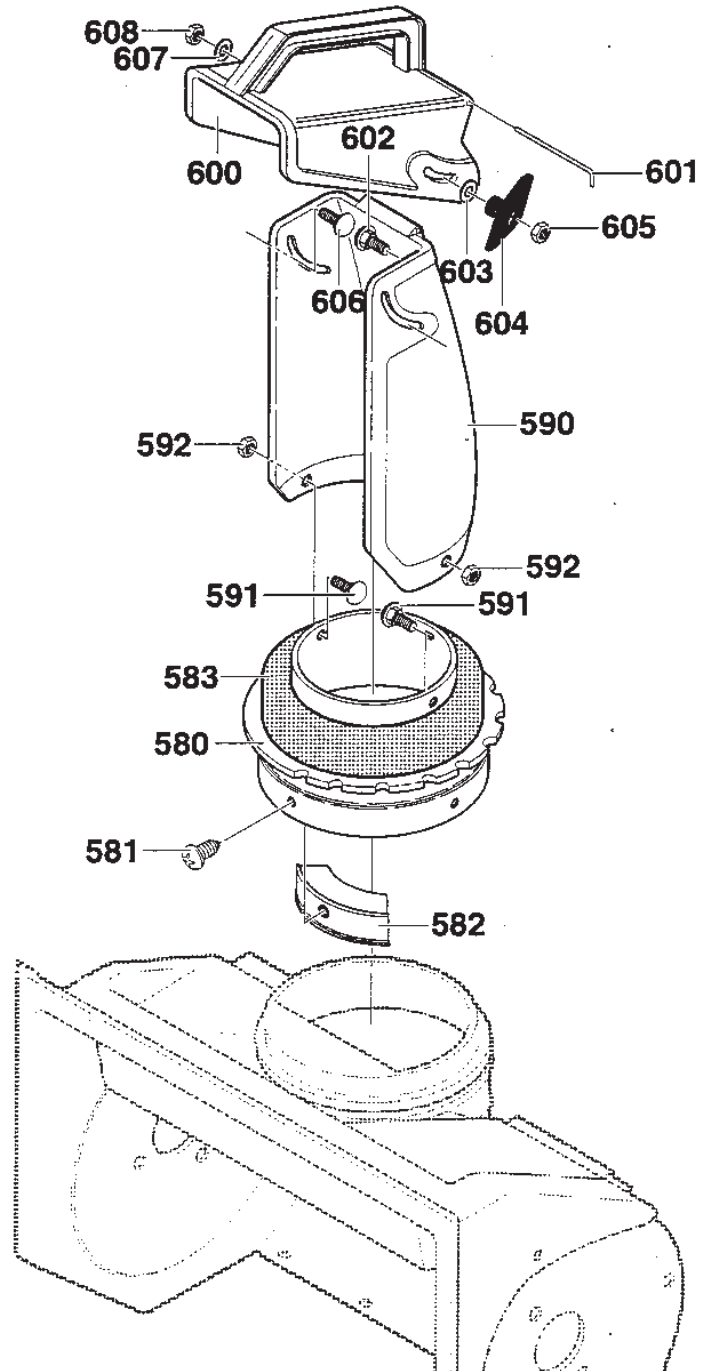
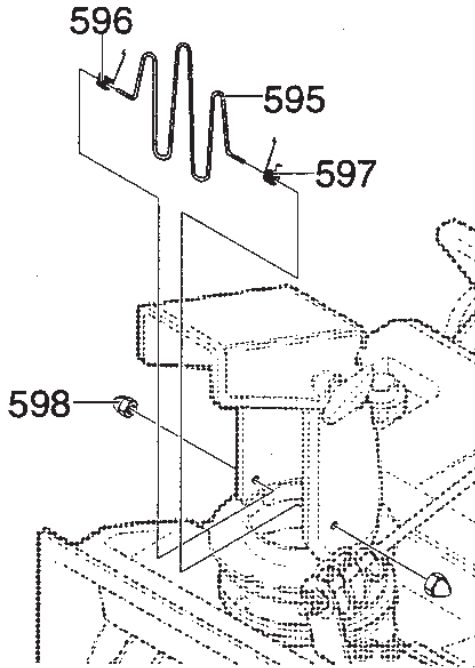
Utgåva Issue 47 - 2014		Remtransmission Motor		Belt Transmission Engine	
Pos. Fig.	Antal Quantity	Art nr Part No	Benämning	Description	Anmärkning Notes
11	2	9988-3619-16	Skruv	Screw	
12	4	9683-0030-02	Bricka	Washer	
14	2	9699-0029-02	Bricka	Washer	
25	2	1133-0976-01	Remstyrning	Belt Guide	
28	2	9988-3625-16	Skruv	Screw	
33	1	1812-1401-01	Fjäder	Spring	
40	1	1812-1461-01	Spännarm	Idler Arm	
41	1	9988-3613-16	Skruv	Screw	
42	1	1812-0811-01	Mutter	Nut	
45	1	1133-0936-01	Spännrulle	Idler Pulley	
46	1	1133-0084-01	Vagnsbult	Carr.Bolt	
47	1	9743-3721-32	Mutter	Nut	
70	1	1812-1399-01	Motorremskiva	Engine Pulley	
71	1	9699-0062-02	Bricka	Washer	
72	1	9987-5119-16	Skruv	Screw	
73	1	9683-0030-02	Bricka	Washer	
75	1	1812-9025-01	Drivrem	Drive Belt	
75	1	1812-9025-01	Drivrem	Drive Belt	



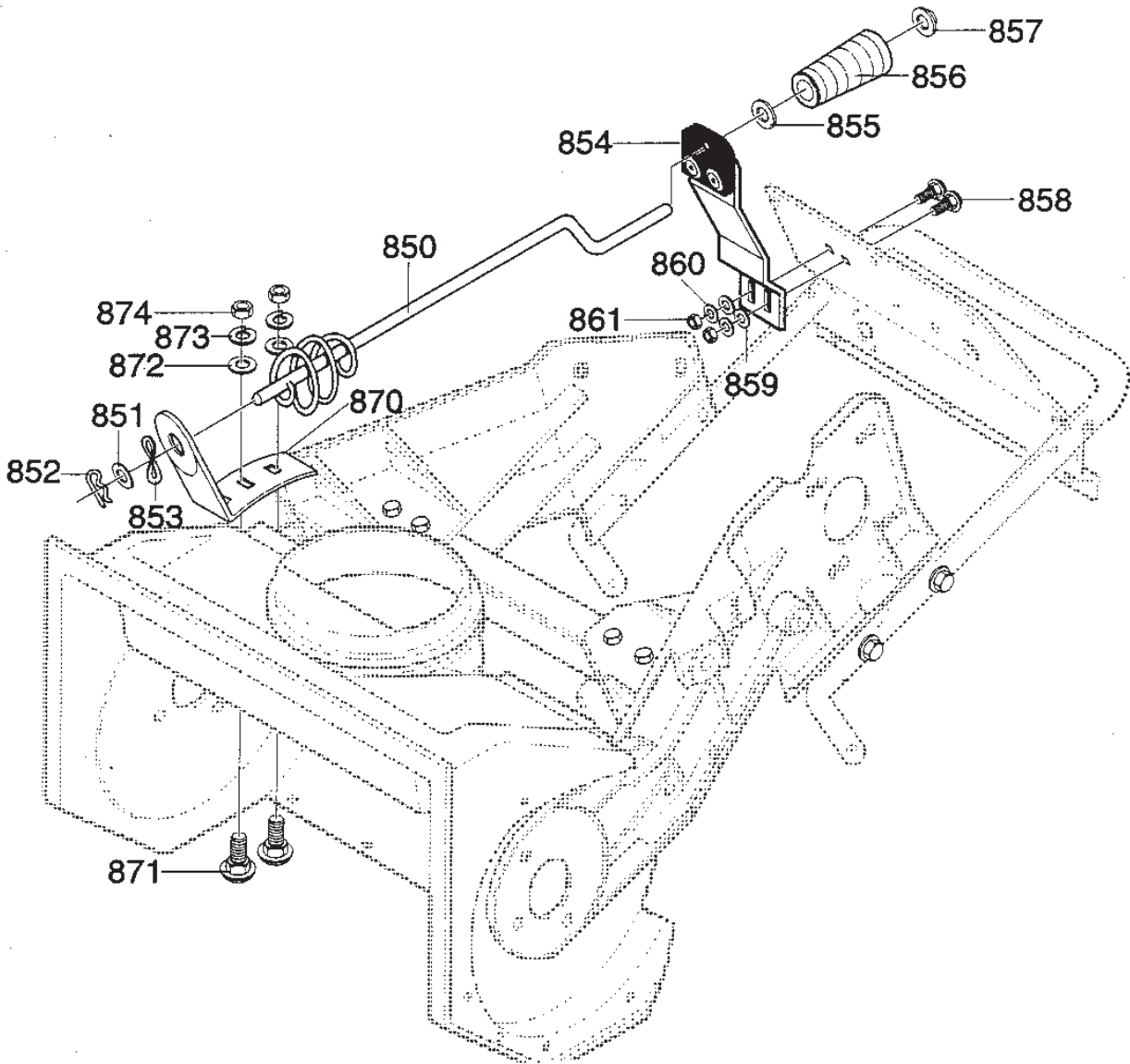
Utgåva Issue 47 - 2014		Kåpor Covers			
Pos. Fig.	Antal Quantity	Art nr Part No	Benämning	Description	Anmärkning Notes
120	1	1812-1558-01	Kapa-nedre	Cover-Bottom	
121	3	1133-0955-01	Skruv	Screw	
122	1	1812-1516-01	Lock	Panel	
124	3	1133-1026-01	Mutter	Nut	
125	1	1812-1517-01	Reglagepanel	Control Panel	
126	2	9988-3532-12	Skruv	Screw	
127	2	9699-0028-02	Bricka	Washer	
128	2	1812-0812-01	Mutter	Nut	
130	1	1133-0962-01	Linhylsa	Grommet & Rope Guide Wash	
131	1	1812-1555-01	Starthandtag	Hand Grip Starter Handle	
140	1	1133-0956-01	Tändningslas	Ignition Switch	
141	1	1134-2853-01	Bricka	Washer	
142	1	1134-2852-01	Mutter	Nut	
143	1	1134-2848-01	Tändningsnyckel	Ignition Key	
145	1	1133-0949-01	Primernippel	Primer	
146	1	1812-1496-01	Primerslang	Primer hose	
147	1	9795-3531-02	Mutter	Nut	
150	1	1812-1502-01	Remskydd	Belt Cover	
151	4	1812-0959-01	Bult	Bolt	
152	4	1812-0630-01	Mutter	Nut	
157	4	1133-0955-01	Skruv	Screw	
159	4	1133-1026-01	Mutter	Nut	
170	1	1812-1571-01	Kapa-övre	Cover-Top	
171	4	1812-0959-01	Bult	Bolt	
172	4	1812-0630-01	Mutter	Nut	
173	9	1133-0955-01	Skruv	Screw	
176	6	1133-1026-01	Mutter	Nut	
181	1	1133-0955-01	Skruv	Screw	
182	2	1133-1026-01	Mutter	Nut	



Utgåva Issue 47 - 2014		Snöskruv		Auger	
Pos. Fig.	Antal Quantity	Art nr Part No	Benämning	Description	Anmärkning Notes
480	1	1812-1503-01	Snöskruvhus	Auger housing Rect Housing	
481	4	9988-3519-16	Skruv	Screw	
482	4	9699-0028-02	Bricka	Washer	
483	4	1812-0812-01	Mutter	Nut	
490	1	1812-1481-01	Skrapskär	Scraper Blade	
491	3	1133-1022-01	Nit	Rivet	
492	1	9988-3519-16	Skruv	Screw	
493	1	9727-3541-22	Mutter	Nut	
510	1	1133-1019-01	Flänslager	Flange Bearing	
511	2	9988-3525-16	Skruv	Screw	
512	2	9699-0028-02	Bricka	Washer	
513	2	9727-3541-22	Mutter	Nut	
520	2	1133-0960-01	Centrumskär	Centre Blade	Pos 520-8
520	20	1133-0940-01	Nit	Rivet	Pos 520-6
520	4	1133-0964-01	Snöskruvskär	Auger Blade	Pos 520-2
520	1	1812-1488-01	Snöskruv kpl	Auger Assy	
530	1	1133-0947-01	Lager m.hallare	Bearing & Plate	
531	1	1133-1000-01	Lagerhallare	Bearing Retainer	
532	2	9988-3516-16	Skruv	Screw	
533	2	9699-0028-02	Bricka	Washer	
534	2	1812-0812-01	Mutter	Nut	
541	1	1812-1400-01	Remskiva	Pulley	



Utgåva Issue 47 - 2014		Utkast Chute			
Pos. Fig.	Antal Quantity	Art nr Part No	Benämning	Description	Anmärkning Notes
580	1	1812-1491-01	Utkastring	Chute Ring	
581	4	1133-1014-01	Skruv	Screw	
582	4	1133-1018-01	Utkastledplat	Chute Guide	
583	1	1812-1564-01	Tätning	Foam	
590	1	1133-1004-01	Utkaströr	Lower Chute	
591	2	9899-3516-16	Skruv	Screw	
592	2	9727-3541-22	Mutter	Nut	
592	2	1812-0812-01	Mutter	Nut	
592	2	1812-1758-01	Mutter	Nut	
595	1	1133-0970-01	Utkastskydd	Lower Wire Chute Guide	
596	1	1133-0944-01	Fjäder	Torsion Chute Spring	
597	1	1133-0945-01	Fjäder	Torsion Chute Spring	
598	2	1133-0937-01	Hattlasning	Nut	
600	1	1133-0967-01	Utkastskärm	Upper Chute	
601	1	1133-0969-01	Gangjärnsaxel	Hinge Wire	
602	1	9899-3632-12	Skruv	Screw	
603	1	9699-0029-02	Bricka	Washer	
604	1	1133-0932-01	Lasratt	Wing Knob	
605	1	9795-3631-02	Mutter	Nut	
606	1	1133-1023-01	Skruv	Screw	
607	1	9699-0029-02	Bricka	Washer	
608	1	1812-0811-01	Mutter	Nut	



Utgåva Issue 47 - 2014		Inställningsvev Chute crank			
Pos. Fig.	Antal Quantity	Art nr Part No	Benämning	Description	Anmärkning Notes
850	1	1812-1500-01	Inställningsvev	Chute Control Rod	
851	1	9699-0035-02	Bricka	Washer	
852	1	9599-0054-02	SaxSprint Saxsprint	Split Pin	
853	1	1133-0973-01	Kupad fjäderbricka	Washer	
854	1	1812-1495-01	Fäste	Chute Crank Attachment	
855	1	9699-0035-02	Bricka	Washer	
856	1	1133-0959-01	Handtag	Knob	
857	1	1812-0396-01	Lasning	Retainer	
858	2	1812-0735-01	Skruv	Carr.Bolt	
858	2	9899-3516-16	Skruv	Screw	
858	2	1812-0735-01	Skruv	Carr.Bolt	
858	2	9899-3516-16	Skruv	Screw	
859	2	9699-0028-02	Bricka	Washer	
860	2	9683-0030-02	Bricka	Washer	
861	2	9795-3531-02	Mutter	Nut	
870	1	1812-1493-01	Vevfäste	Bracket Chute Rotate	
871	2	9899-3622-16	Skruv	Screw	
872	2	9699-0029-02	Bricka	Washer	
873	2	9683-0030-02	Bricka	Washer	
874	2	9795-3631-02	Mutter	Nut	

code	pos.	q.ty	page
590616	6	2	p.9
590617	7	2	p.9
590643	11	1	p.9
590643A	11	1	p.9
590645A	8	1	p.9
590701	13	1	p.9
590740	3	1	p.9
590741	14	1	p.9
590743	390	1	p.5
590760	14	1	p.9
610118	101	1	p.3
611049	135	1	p.3
611190	90	1	p.3
611191	89	1	p.3
611192	90	1	p.3
630735	15	1	p.7
631021	30	1	p.7
631022	31	1	p.7
631024	27	1	p.7
631027	48	1	p.7
631028	29	1	p.7
631616	6	1	p.7
631621	6	1	p.7
631815	14	1	p.7
631951	25	1	p.7
632019	28	1	p.7
632164	16	1	p.7
632386	26	1	p.7
632538	1	1	p.7
632547	37	2	p.7
632734	10	1	p.7
632760	60	1	p.7
632760B	60	1	p.7
640008	40	1	p.7
640080	36	1	p.7
640088	380	1	p.5
640089	40	1	p.7
640312	380	1	p.5
640342	380	1	p.5
650229	384	2	p.5
650506	7	2	p.7
650506	35	2	p.3
650815	92	1	p.3
650816	93	1	p.3
650847	218	1	p.3
650891	106	2	p.3
650892	105	2	p.3
650893	277	2	p.3
650894	261	4	p.3
650926	287	3	p.5
650959	177	2	p.3
651007	103	2	p.3